



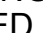
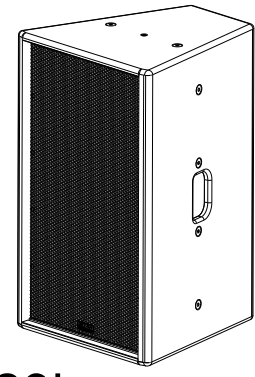
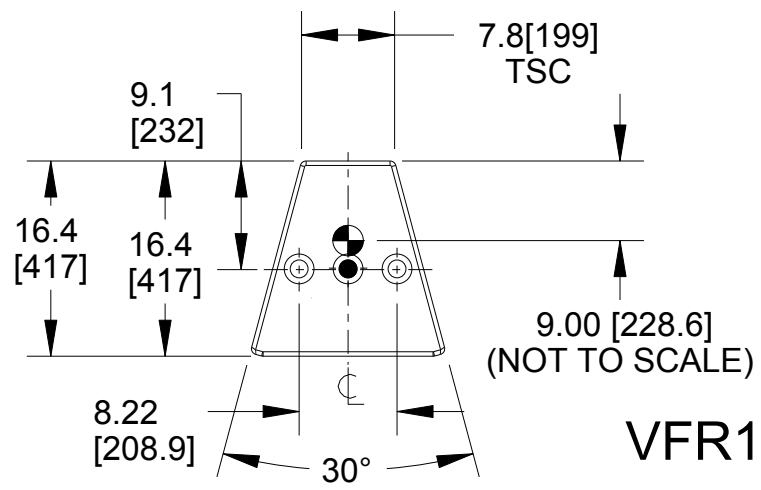


REV	CHANGE NUMBER	DATE
B	ECOWHT9468	5/22/13

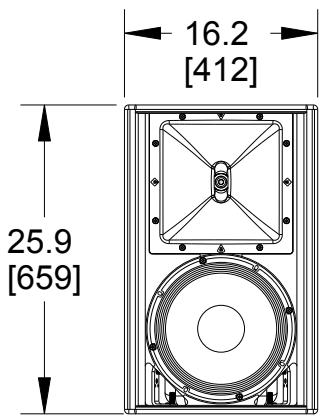
- NOTES:**
1. SYMBOL  INDICATES CENTER OF BALANCE.
  2. SYMBOL  INDICATES MOUNTING POINT, M10 THREADED HOLE (PI ANGLE).
  3. SYMBOL  INDICATES MOUNTING POINT, M10 THREADED HOLE (RIVNUT).
  4. SYMBOL  INDICATES 3.4 [87] x 6.9 [175] x M8 MOUNTING PATTERN FOR CUSTOMER SUPPLIED MOUNTING SOLUTION.
  5. SYMBOL  INDICATES MOUNTING POINT, M6 THREADED HOLE.
  6. WEIGHT APPROX. 54 lb [24.5 kg].
  7. SHIPPING WEIGHT APPROX. 71 lb [32.2 kg].



### VFR129i

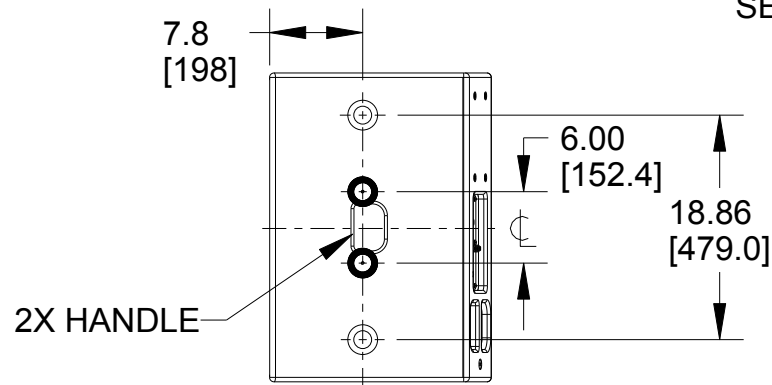


### TOP



### FRONT

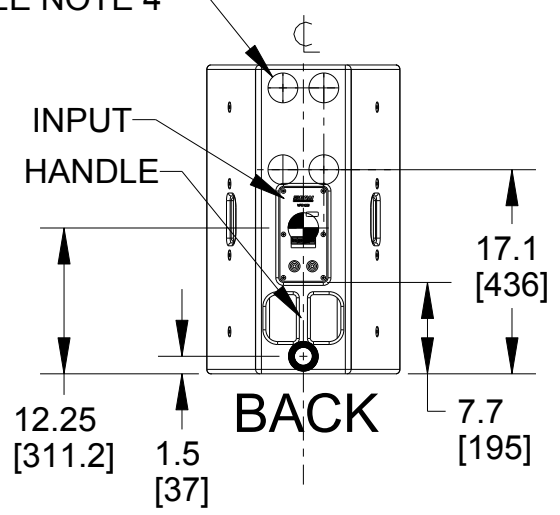
GRILLE NOT SHOWN FOR CLARITY



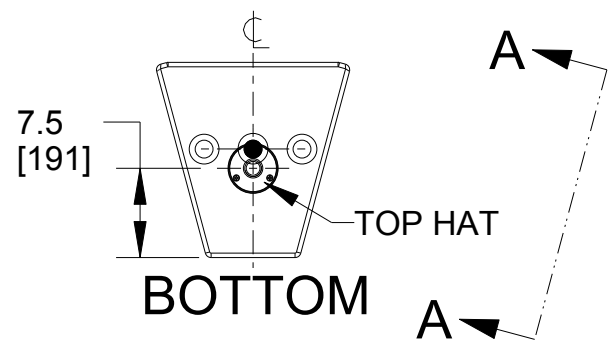
### VIEW A-A

DIMENSIONS APPLY TO BOTH SIDES

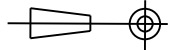
SEE NOTE 4



### BACK



### BOTTOM

<p>THIRD ANGLE PROJECTION</p> 	<p>UNLESS OTHERWISE SPECIFIED: ALL DIMENSIONS ARE IN INCHES DUAL [MM] DIMENSIONS FOR REF ONLY</p> <p>TOLERANCE IN INCHES LINEAR ± 0.13 in / ± 3.3 mm ANGLES ± 1°</p> <p>(X.XX) = REF DIMS NO TOLERANCE IMPLIED</p> <p>TSC = THEORETICAL SHARP CORNER</p> <p>DIMENSIONS ACROSS CENTERLINES TO BE SYMMETRICAL</p>	<p><b>EAW</b> www.eaw.com</p>	
		<p>TITLE: <b>DWG CUSTOMER VFR129i [MECHANICAL SPECIFICATION]</b></p>	
<p>THE INFORMATION CONTAINED HEREIN IS PROPRIETARY AND CONFIDENTIAL PROPERTY OF LOUD TECHNOLOGIES, INC. ALL RIGHTS RESERVED</p>	<p>DRAWING NUMBER: <b>2040815-CD</b></p>	<p><b>A</b> SHEET 1 OF 1</p>	<p>SCALE: 0.062</p>
		<p>REVISION: <b>B</b></p>	