

Service Manual

ORDER NO.
RRV1448

AUDIO/VIDEO STEREO RECEIVER

VSX-455 VSX-465S

- Refer to the service manual RRV1248 for VSX-454.

THIS MANUAL IS APPLICABLE TO THE FOLLOWING MODEL(S) AND TYPE(S).

Type	Model		Power Requirement	Remarks
	VSX-455	VSX-465S		
KUXJ	○	—	AC120V	
KCXJ	○	○	AC120V	

- The "S" at the end of the model number indicates that a programable remote control unit is supplied.

VSX-455, VSX-465S

CONTRAST OF MISCELLANEOUS PARTS

NOTES:

- Parts marked by "NSP" are generally unavailable because they are not in our Master Spare Parts List.
- The Δ mark found on some component parts indicates the importance of the safety factor of the parts. Therefore, when replacing, be sure to use parts of identical designation.
- Parts marked by "⊙" are not always kept in stock. Their delivery time may be longer than usual or they may be unavailable.

VSX-455/KUXJ, KCXJ, VSX-465S/KCXJ and VSX-454/KUXJ have the same construction except for the following:

Mark	Symbol & Description	Part No.				Remarks
		VSX-454/KUXJ	VSX-455/KUXJ	VSX-455/KCXJ	VSX-465S/KCXJ	
Δ	Transistor (Q9)	2SC3281	2SD1975	2SD1975	2SD1975	
Δ	Transistor (Q10)	2SC3281	2SC5242	2SC5242	2SC5242	
Δ	Transistor (Q11)	2SA1302	2SB1317	2SB1317	2SB1317	
Δ	Transistor (Q12)	2SA1302	2SA1962	2SA1962	2SA1962	
Δ	Power transformer	ATS7048	ATS7048	ATS7052	ATS7052	
NSP	Screw	ABA1147	ABA7019	ABA7019	ABA7019	For Transformer
	Rear panel	ANC7200	ANC7322	ANC7321	ANC7325	
	Binder	Z09-057	ZCA-BK1	ZCA-BK1	ZCA-BK1	
	AC cord stopper	AEP-113	CM-22C	CM-22C	CM-22C	
	Front panel	AMB7179	AMB7316	AMB7316	AMB7318	
	Operating instructions (English)	ARB7024	ARB7061	Not Used	Not Used	
NSP	Operating instructions (English/French)	Not Used	Not Used	ARE7057	ARE7057	
	Packing case	AHD7113	AHD7252	AHD7252	AHD7255	
	Warranty card	ARY1051	ARY1051	ARY1075	ARY1075	
	Remote control unit (CU-VSX093)	AXD7046	AXD7046	AXD7046	Not Used	
	Remote control unit (CU-VSX098)	Not Used	Not Used	Not Used	AXD7056	*
	Battery cover	AZA7031	AZA7031	AZA7031	Not Used	
NSP	Battery (R6P, AA)	VEM-013	VEM-013	VEM-013	Not Used	
NSP	Battery (LR03, AAA)	Not Used	Not Used	Not Used	PEM1005	

Note

*: This is the same part number as VSX-464S/KCXJ.

1. SAFETY INFORMATION



This service manual is intended for qualified service technicians; it is not meant for the casual do-it-yourselfer. Qualified technicians have the necessary test equipment and tools, and have been trained to properly and safely repair complex products such as those covered by this manual. Improperly performed repairs can adversely affect the safety and reliability of the product and may void the warranty. If you are not qualified to perform the repair of this product properly and safely, you should not risk trying to do so and refer the repair to a qualified service technician.

WARNING

Lead in solder used in this product is listed by the California Health and Welfare agency as a known reproductive toxicant which may cause birth defects or other reproductive harm (California Health & Safety Code, Section 25249.5). When servicing or handling circuit boards and other components which contain lead in solder, avoid unprotected skin contact with the solder. Also, when soldering do not inhale any smoke or fumes produced.

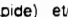
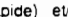
NOTICE

(FOR CANADIAN MODEL ONLY)

Fuse symbols  (fast operating fuse) and/or  (slow operating fuse) on PCB indicate that replacement parts must be of identical designation.

REMARQUE

(POUR MODÈLE CANADIEN SEULEMENT)

Les symboles de fusible  (fusible de type rapide) et/ou  (fusible de type lent) sur CCI indiquent que les pièces de remplacement doivent avoir la même désignation.

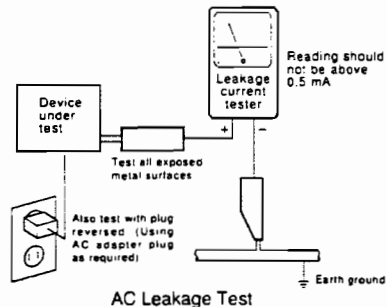
(FOR USA MODEL ONLY)

1. SAFETY PRECAUTIONS

The following check should be performed for the continued protection of the customer and service technician.

LEAKAGE CURRENT CHECK

Measure leakage current to a known earth ground (water pipe, conduit, etc.) by connecting a leakage current tester such as Simpson Model 229-2 or equivalent between the earth ground and all exposed metal parts of the appliance (input/output terminals, screwheads, metal overlays, control shaft, etc.). Plug the AC line cord of the appliance directly into a 120V AC 60 Hz outlet and turn the AC power switch on. Any current measured must not exceed 0.5 mA.



ANY MEASUREMENTS NOT WITHIN THE LIMITS OUTLINED ABOVE ARE INDICATIVE OF A POTENTIAL SHOCK HAZARD AND MUST BE CORRECTED BEFORE RETURNING THE APPLIANCE TO THE CUSTOMER.

2. PRODUCT SAFETY NOTICE

Many electrical and mechanical parts in the appliance have special safety related characteristics. These are often not evident from visual inspection nor the protection afforded by them necessarily can be obtained by using replacement components rated for voltage, wattage, etc. Replacement parts which have these special safety characteristics are identified in this Service Manual.

Electrical components having such features are identified by marking with a Δ on the schematics and on the parts list in this Service Manual.

The use of a substitute replacement component which does not have the same safety characteristics as the PIONEER recommended replacement one, shown in the parts list in this Service Manual, may create shock, fire, or other hazards.

Product Safety is continuously under review and new instructions are issued from time to time. For the latest information, always consult the current PIONEER Service Manual. A subscription to, or additional copies of, PIONEER Service Manual may be obtained at a nominal charge from PIONEER.

2. EXPLODED VIEWS, PACKING AND PARTS LIST

NOTES:

- Parts marked by "NSP" are generally unavailable because they are not in our Master Spare Parts List.
- The Δ mark found on some component parts indicates the importance of the safety factor of the part. Therefore, when replacing, be sure to use parts of identical designation.
- Parts marked by "⊗" are not always kept in stock. Their delivery time may be longer than usual or they may be unavailable.

2.1 PACKING

■ CONTRAST OF VSX-504S/KUXJ, KCXJ, VSX-454/KUXJ, KCXJ AND VSX-464S/KCXJ

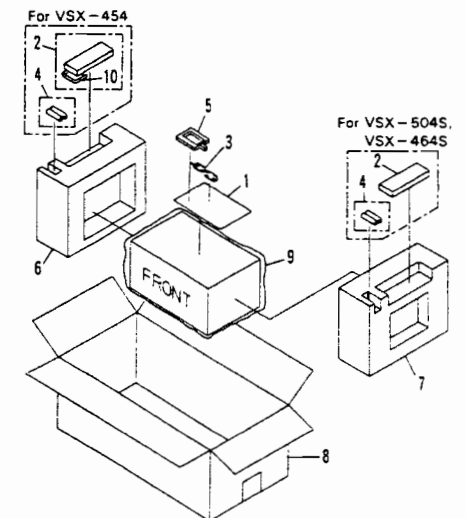
VSX-504S/KUXJ, KCXJ, VSX-454/KUXJ, KCXJ and VSX-464S/KCXJ have the same construction except for the following:

Mark	No.	Description	Part No.					Remarks
			VSX-504S		VSX-454		VSX-464S	
			KUXJ	KCXJ	KUXJ	KCXJ	KCXJ	
	1	Operating instructions (English)	ARB7023	ARB7023	ARB7024	Not used	Not used	
	1	Operating instructions (French)	Not used	ARC7033	Not used	Not used	Not used	
	1	Operating instructions (English/French)	Not used	Not used	Not used	ARE7022	ARE7022	
	2	Remote control unit (CU-VSX095)	AXD7045	AXD7045	Not used	Not used	Not used	*
	2	Remote control unit (CU-VSX098)	Not used	Not used	Not used	Not used	AXD7056	*
	2	Remote control unit (CU-VSX093)	Not used	Not used	AXD7046	AXD7046	Not used	
	10	Battery cover	Not used	Not used	AZA7031	AZA7031	Not used	
NSP	4	Battery (LR03, AAA)	AEX1006	AEX1006	Not used	Not used	AEX1006	
NSP	4	Battery (R6P, AA)	Not used	Not used	VEM-013	VEM-013	Not used	
	6	Packing case	AHD7110	AHD7110	AHD7113	AHD7113	AHD7114	

Note *: Refer to "10. REMOTE CONTROL UNIT".

■ PARTS LIST FOR VSX-504S/KUXJ

Mark	No.	Description	Parts No.
	1	OPERATING INSTRUCTIONS (English)	ARB7023
	2	REMOTE CONTROL UNIT (CU-VSX095)	AXD7045
	3	FM ANTENNA	ADH1017
NSP	4	BATTERY (LR03, AAA)	AEX1006
	5	LOOP ANTENNA	ATB7004
	6	SIDE PAD L	AHA7044
	7	SIDE PAD R	AHA7045
	8	PACKING CASE	AHD7110
	9	PACKING SHEET	AHG7010



VSX-504S, VSX-464S, VSX-454

2.2 EXTERIOR

■ CONTRAST OF VSX-504S/KUXJ, KCXJ, VSX-454/KUXJ, KCXJ AND VSX-464S/KCXJ
 VSX-504S/KUXJ, KCXJ, VSX-454/KUXJ, KCXJ AND VSX-464S/KCXJ have the same construction except for the following:

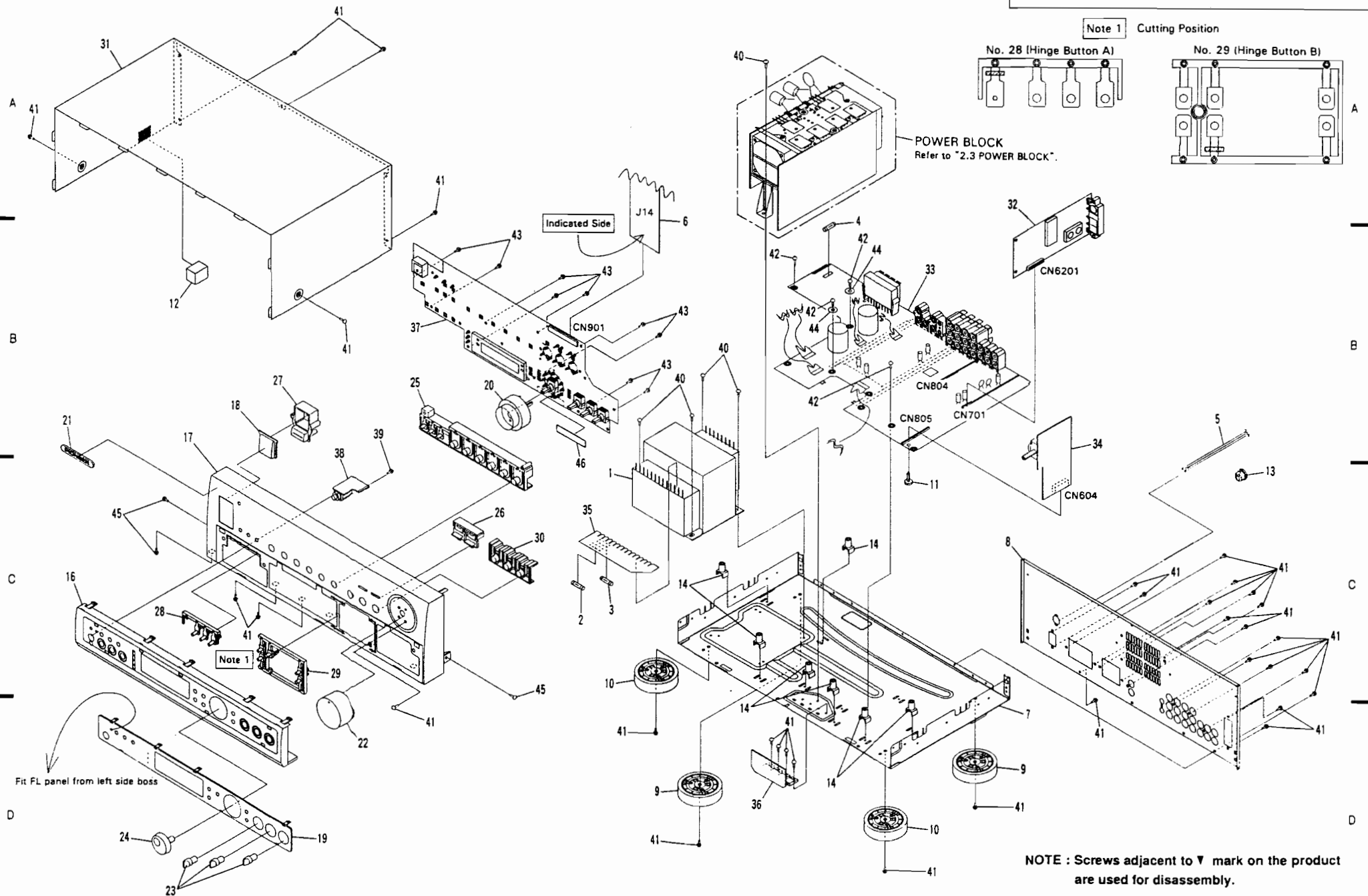
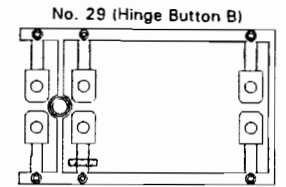
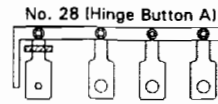
Mark	No.	Description	Part No.					Remarks
			VSX-504S		VSX-454		VSX-464S	
			KUXJ	KCXJ	KUXJ	KCXJ	KCXJ	
△	33	PS AND FUNC assy	AWZ7597	AWZ7597	AWZ7601	AWZ7601	AWZ7601	
	37	FL AND UCOM assy	AWZ7599	AWZ7599	AWZ7603	AWZ7603	AWZ7603	
△	1	Power transformer (AC120V, T1)	ATS7049	ATS7049	ATS7048	ATS7052	ATS7052	
△	4	Fuse (10A, FU1)	REK1087	REK1087	Not used	Not used	Not used	
△	4	Fuse (8A, FU1)	Not used	Not used	REK1086	REK1086	REK1086	
	8	Rear panel	ANC7172	ANC7172	ANC7260	ANC7199	ANC7202	
	16	Sub panel	AAP7011	AAP7011	AAP7012	AAP7012	AAP7012	
	17	Front panel	AMB7177	AMB7177	AMB7179	AMB7179	AMB7180	
	19	FL panel	AAK7125	AAK7125	AAK7126	AAK7126	AAK7126	
	28	Hinge button A	AAD7159	AAD7159	Not used	Not used	Not used	

■ PARTS LIST FOR VSX-504S/KUXJ

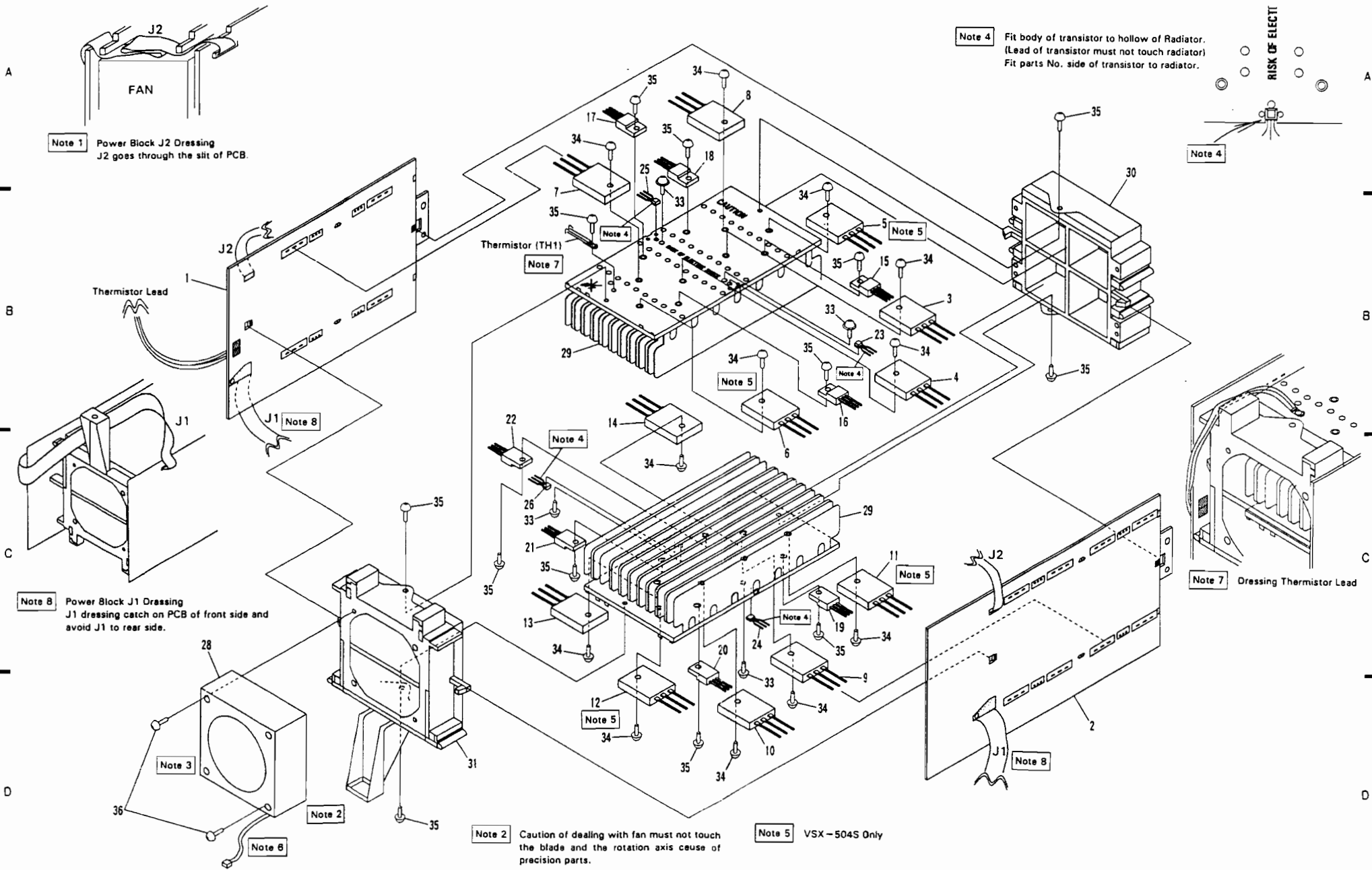
Mark	No.	Description	Parts No.	Mark	No.	Description	Parts No.
△	1	POWER TRANSFORMER (T1)	ATS7049		26	ILLUMI BUTTON	AAD7157
△	2	FUSE (1.25A, FU3)	REK1076		27	POWER BUTTON	AAD7158
△	3	FUSE (1.25A, FU4)	REK1076		28	HINGE BUTTON A	AAD7159
△	4	FUSE (10A, FU1)	REK1087		29	HINGE BUTTON B	AAD7160
△	5	AC POWER CORD	PDG1015		30	SURROUND BUTTON	AAD7161
	6	FLEXIBLE CABLE (J14)	ADD7005		31	BONNET CASE	ANE7047
NSP	7	CHASSIS	ANA7016		32	FM/AM TUNER MODULE	AXQ3112
	8	REAR PANEL	ANC7172		33	PS AND FUNC ASSY	AWZ7597
	9	INSULATOR ASSY	DXA1490		34	VOL. ASSY	AWZ7602
	10	INSULATOR	PNW1912	NSP	35	TRANS ASSY	AWZ7591
	11	PCB SUPPORT	AEC1581		36	REG. ASSY	AWZ7592
	12	RUBBER SPACER	AEC7034		37	FL AND UCOM ASSY	AWZ7599
	13	CORD STOPPER	AEP-113	NSP	38	H.P. ASSY	AWZ7594
	14	PCB MOLD	AMR2533		39	SCREW	ABA7009
	15			40	SCREW	ABA1147
	16	SUB PANEL	AAP7011		41	SCREW	BBZ30P080FZK
	17	FRONT PANEL	AMB7177		42	SCREW	BBZ30P200FMC
	18	IR FILTER	AAK7123		43	SCREW	BPZ26P080FMC
	19	FL PANEL	AAK7125	NSP	44	WASHER	AEE7002
	20	JOG RING	AAK7129		45	SCREW	BBZ30P080FMC
	21	NAME PLATE	PAM1608	NSP	46	ADHESIVE DOUBLE COATED TAPE	AEH1025
	22	ROUND KNOB L	AAB1390				
	23	ROUND KNOB S	AAB7047				
	24	JOG KNOB	AAB7048				
	25	FUNCTION BUTTON	AAD7156				

VSX-504S, VSX-464S, VSX-454

Note 1 Cutting Position



2.3 POWER BLOCK



Note 3 Set side without fan guard facing out side (The other side of parts No. side).

Note 6 Install fan motor to do right-down fan lead.

Note 5 VSX-504S Only

Note 2 Caution of dealing with fan must not touch the blade and the rotation axis cause of precision parts.

Note 8 Power Block J1 Dressing J1 dressing catch on PCB of front side and avoid J1 to rear side.

Note 7 Dressing Thermistor Lead

Note 4 Fit body of transistor to hollow of Radiator. (Lead of transistor must not touch radiator). Fit parts No. side of transistor to radiator.

Note 1 Power Block J2 Dressing J2 goes through the slit of PCB.

VSX-504S, VSX-464S, VSX-454

■ **CONTRAST OF VSX-504S/KUXJ, KCXJ, VSX-454/KUXJ, KCXJ AND VSX-464S/KCXJ**

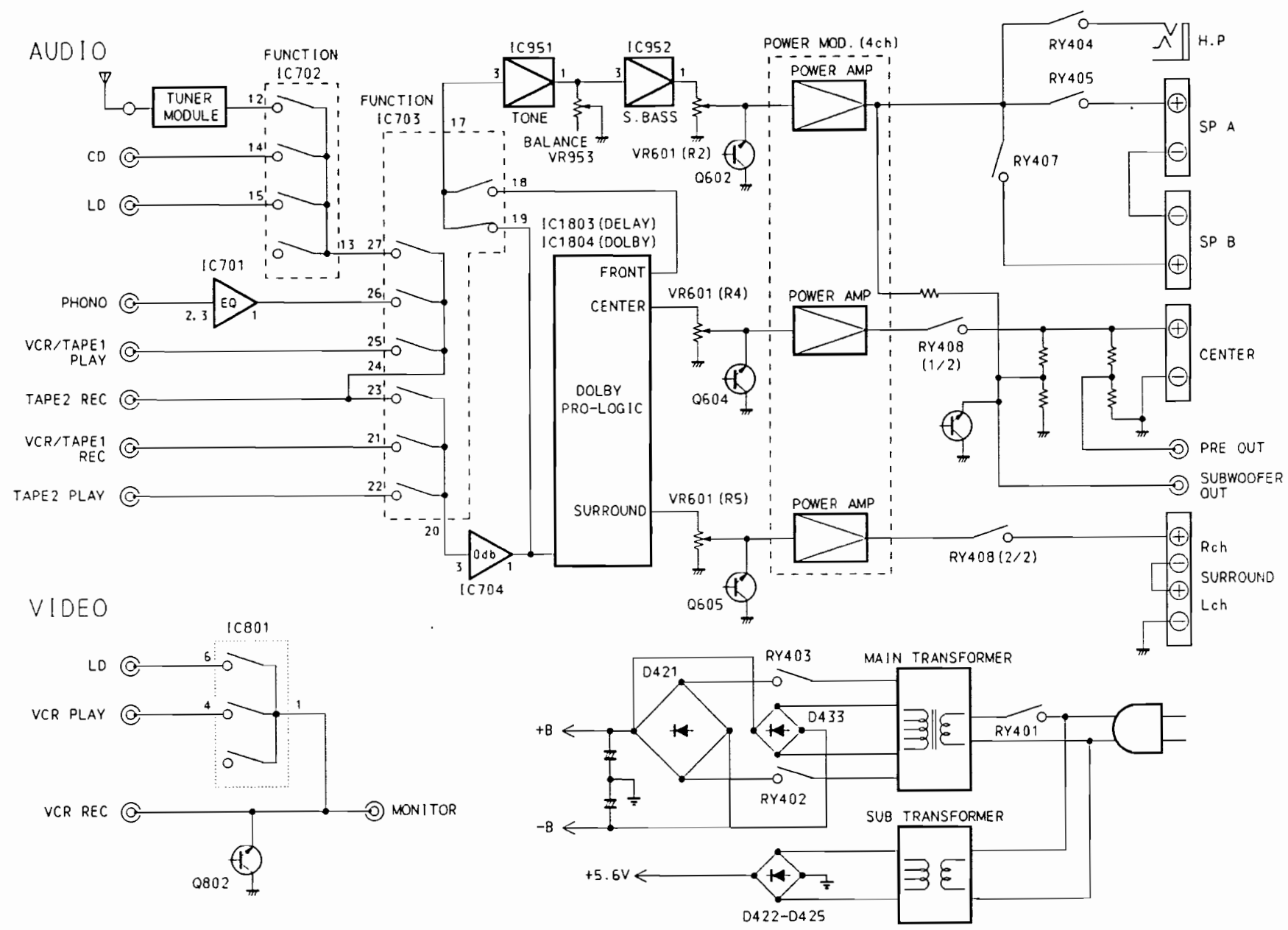
VSX-504S/KUXJ, KCXJ, VSX-454/KUXJ, KCXJ and VSX-464S/KCXJ have the same construction except for the following:

Mark	No.	Description	Part No.					Remarks
			VSX-504S		VSX-454		VSX-464S	
			KUXJ	KCXJ	KUXJ	KCXJ	KCXJ	
△ △ △ △ △	2	AMP assy 200W	AWZ7581	AWZ7581	Not used	Not used	Not used	
	2	AMP assy 120W	Not used	Not used	AWZ7580	AWZ7580	AWZ7580	
	5	Transistor (Q7)	2SA1302	2SA1302	Not used	Not used	Not used	
	6	Transistor (Q8)	2SA1302	2SA1302	Not used	Not used	Not used	
	11	Transistor (Q5)	2SC3281	2SC3281	Not used	Not used	Not used	
	12	Transistor (Q6)	2SC3281	2SC3281	Not used	Not used	Not used	
NSP	29	Radiator	ANH7012	ANH7012	ANH7011	ANH7011	ANH7011	

■ **PARTS LIST FOR VSX-504S/KUXJ**

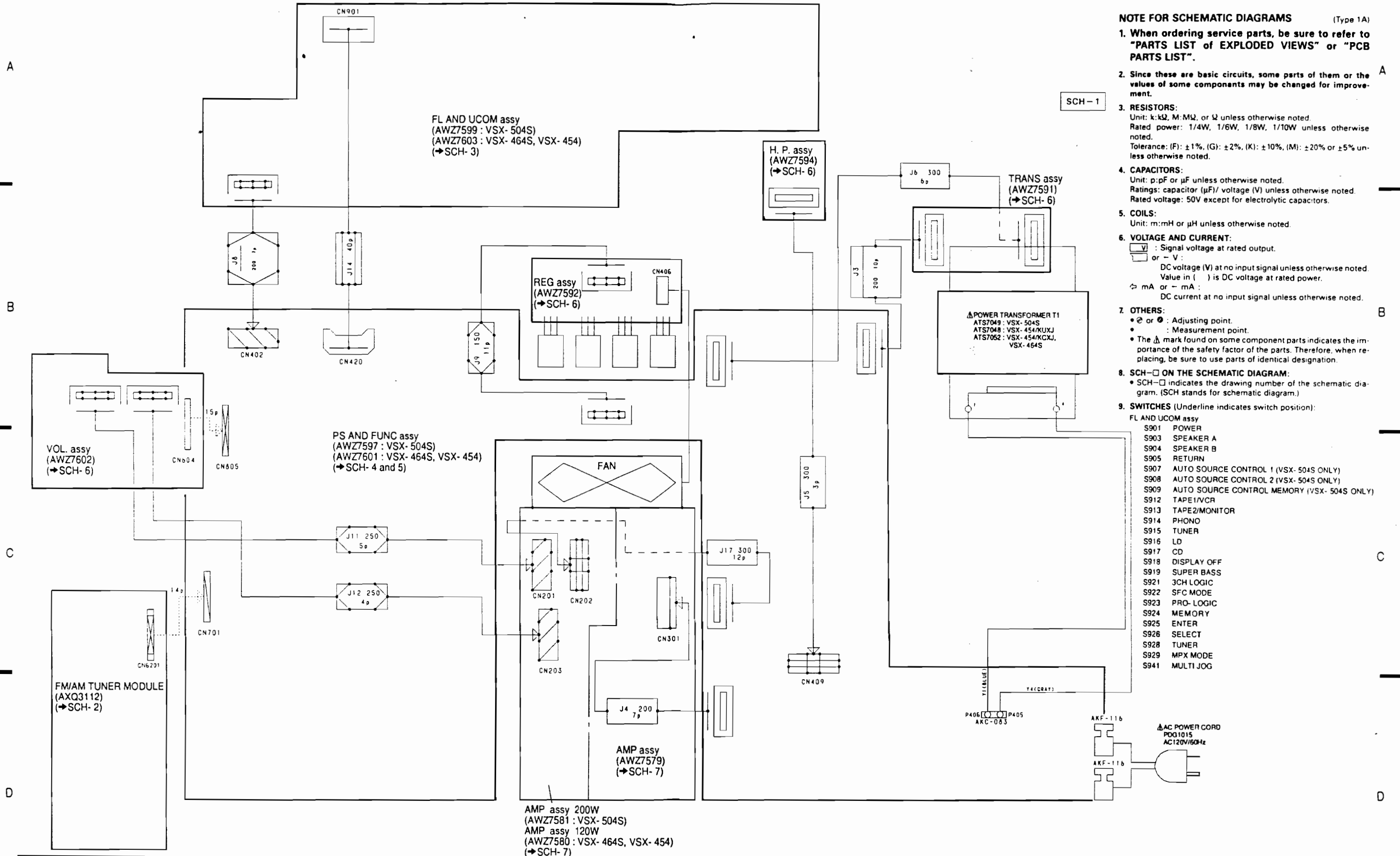
Mark	No.	Description	Parts No.	Mark	No.	Description	Parts No.
	1	AMP ASSY	AWZ7579	31	RADIATOR MOLD	AMR7036	
	2	AMP ASSY 200W	AWZ7581	32		
△	3	TRANSISTOR (Q3)	2SA1302	33	SCREW	ABA-283	
△	4	TRANSISTOR (Q4)	2SA1302	34	SCREW	ABA1037	
△	5	TRANSISTOR (Q7)	2SA1302	35	SCREW	BBZ30P080FZK	
△	6	TRANSISTOR (Q8)	2SA1302	36	SCREW	BPZ30P350FZK	
△	7	TRANSISTOR (Q11)	2SA1302				
△	8	TRANSISTOR (Q12)	2SA1302				
△	9	TRANSISTOR (Q1)	2SC3281				
△	10	TRANSISTOR (Q2)	2SC3281				
△	11	TRANSISTOR (Q5)	2SC3281				
△	12	TRANSISTOR (Q6)	2SC3281				
△	13	TRANSISTOR (Q9)	2SC3281				
△	14	TRANSISTOR (Q10)	2SC3281				
△	15	TRANSISTOR (Q23)	2SA1837				
△	16	TRANSISTOR (Q24)	2SA1837				
△	17	TRANSISTOR (Q33)	2SA1837				
△	18	TRANSISTOR (Q34)	2SA1837				
△	19	TRANSISTOR (Q21)	2SC4793				
△	20	TRANSISTOR (Q22)	2SC4793				
△	21	TRANSISTOR (Q31)	2SC4793				
△	22	TRANSISTOR (Q32)	2SC4793				
△	23	TRANSISTOR (Q209)	2SC1740S				
△	24	TRANSISTOR (Q210)	2SC1740S				
△	25	TRANSISTOR (Q309)	2SC1740S				
△	26	TRANSISTOR (Q310)	2SC1740S				
	27					
	28	FAN MOTOR	AXM7005				
NSP	29	RADIATOR	ANH7012				
	30	EXHAUST MOLD	AMR7035				

3. BLOCK DIAGRAM



4. SCHEMATIC AND PCB CONNECTION DIAGRAMS

4.1 OVERALL SCHEMATIC DIAGRAM



NOTE FOR SCHEMATIC DIAGRAMS (Type 1A)

- When ordering service parts, be sure to refer to "PARTS LIST of EXPLODED VIEWS" or "PCB PARTS LIST".
- Since these are basic circuits, some parts of them or the values of some components may be changed for improvement.
- RESISTORS:**
Unit: k: kΩ, M: MΩ, or Ω unless otherwise noted.
Rated power: 1/4W, 1/6W, 1/8W, 1/10W unless otherwise noted.
Tolerance: (F): ±1%, (G): ±2%, (K): ±10%, (M): ±20% or ±5% unless otherwise noted.
- CAPACITORS:**
Unit: p: pF or μF unless otherwise noted.
Ratings: capacitor (μF)/ voltage (V) unless otherwise noted.
Rated voltage: 50V except for electrolytic capacitors.
- COILS:**
Unit: m: mH or μH unless otherwise noted.
- VOLTAGE AND CURRENT:**
V : Signal voltage at rated output.
or - V :
DC voltage (V) at no input signal unless otherwise noted.
Value in () is DC voltage at rated power.
mA or - mA :
DC current at no input signal unless otherwise noted.
- OTHERS:**
• ⊙ or ⊙ : Adjusting point.
• : Measurement point.
• The Δ mark found on some component parts indicates the importance of the safety factor of the parts. Therefore, when replacing, be sure to use parts of identical designation.
- SCH-□ ON THE SCHEMATIC DIAGRAM:**
• SCH-□ indicates the drawing number of the schematic diagram. (SCH stands for schematic diagram.)
- SWITCHES** (Underline indicates switch position):
FL AND UCOM assy
S901 POWER
S903 SPEAKER A
S904 SPEAKER B
S905 RETURN
S907 AUTO SOURCE CONTROL 1 (VSX-504S ONLY)
S908 AUTO SOURCE CONTROL 2 (VSX-504S ONLY)
S909 AUTO SOURCE CONTROL MEMORY (VSX-504S ONLY)
S912 TAPE1/VCR
S913 TAPE2/MONITOR
S914 PHONO
S915 TUNER
S916 LD
S917 CD
S918 DISPLAY OFF
S919 SUPER BASS
S921 3CH LOGIC
S922 SFC MODE
S923 PRO-LOGIC
S924 MEMORY
S925 ENTER
S926 SELECT
S928 TUNER
S929 MPX MODE
S941 MULTI JOG

SCH-1 OVERALL SCHEMATIC DIAGRAM

OVERALL SCHEMATIC DIAGRAM **SCH-1**

4.2 FM/AM TUNER MODULE

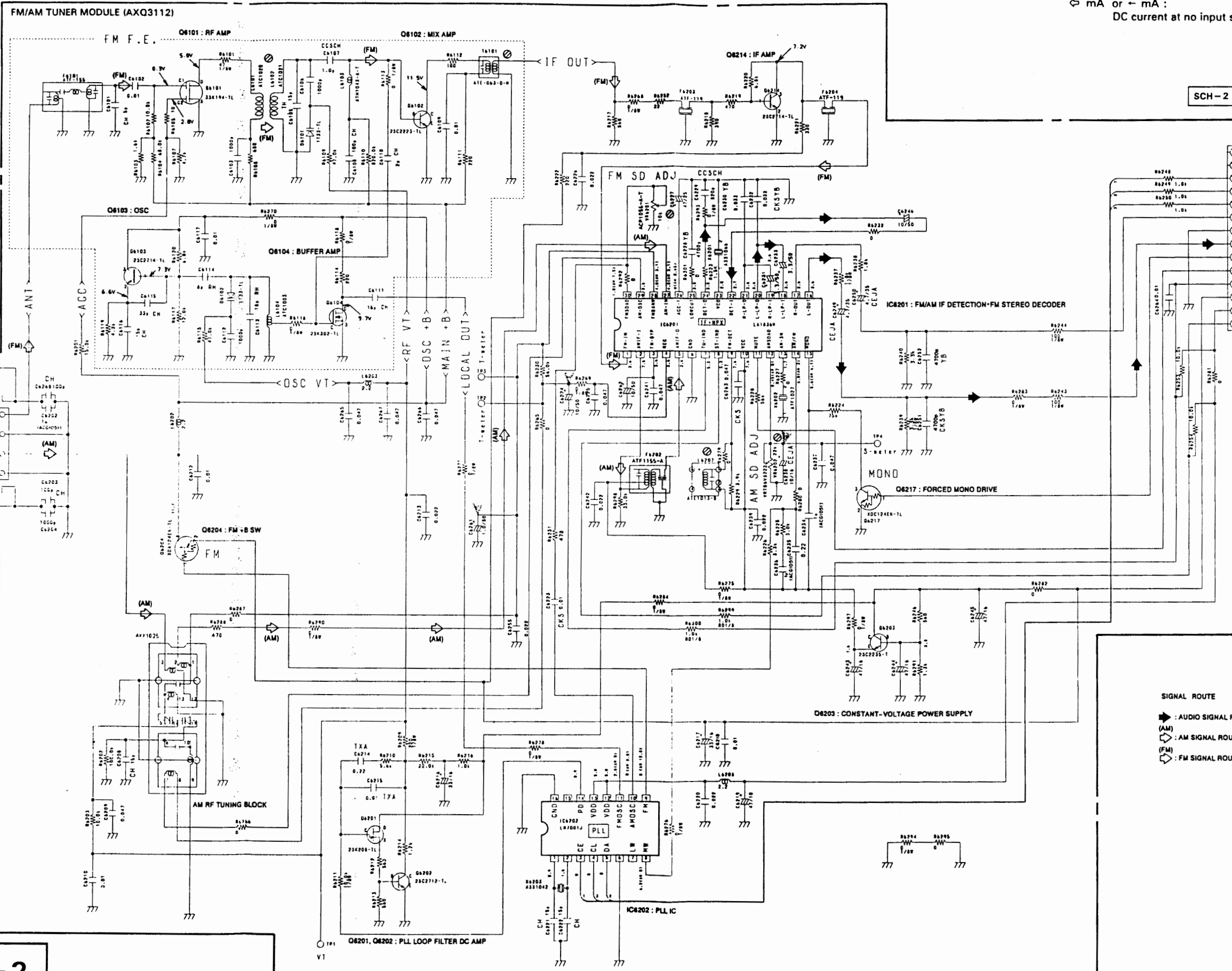
NOTE: VOLTAGE AND CURRENT

\square mV : Signal voltage at FM 1kHz, 100% MOD.
or - V :

DC voltage (V) at no input signal unless otherwise noted.
Value in () is DC voltage at rated power.

\square mA or - mA :

DC current at no input signal unless otherwise noted.



SCH-2

RDS
N.C.
CE
DA
CL
R CH
GND
L CH
MONO
MUTE
TUNE
+12V
+5V
STEREO

To PS AND FUNC assy (112) CN701 (SCH-4)

SIGNAL ROUTE

\rightarrow AUDIO SIGNAL ROUTE

(AM) AM SIGNAL ROUTE

(FM) FM SIGNAL ROUTE

SCH-2

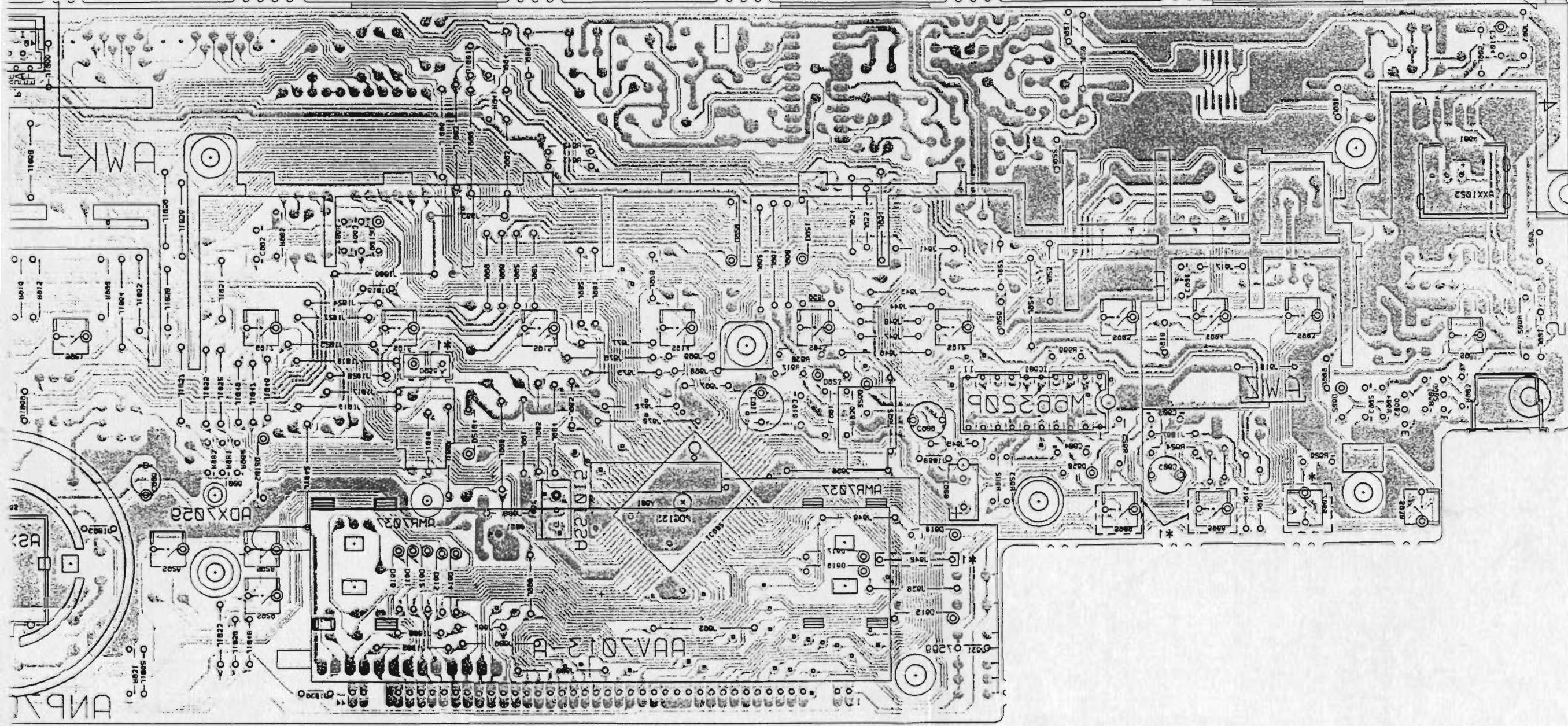
FM/AM TUNER MODULE

SCH-2

FM/AM TUNER MODULE

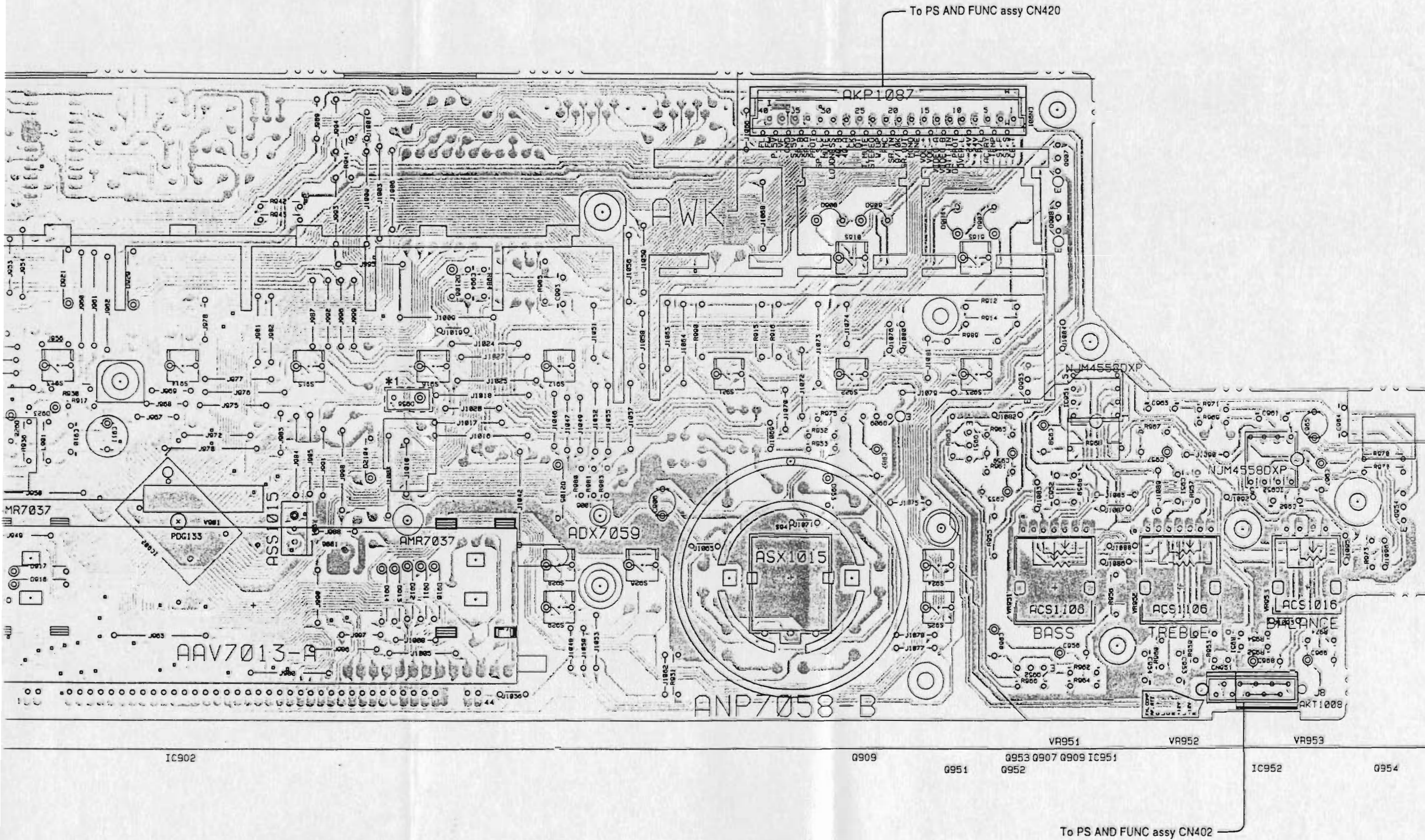
* 1: V2X-5042(KX1), KCX1 ONLY

FL AND UCOM assy



• This diagram is viewed from the foil side.

*1: VSX-504S/KUXJ, KCXJ ONLY



• This diagram is viewed from the mounted parts side.

4.3 FL AND UCOM ASSY

To PS AND FUNC assy (1/2) CN420 (→SCH- 4)

A

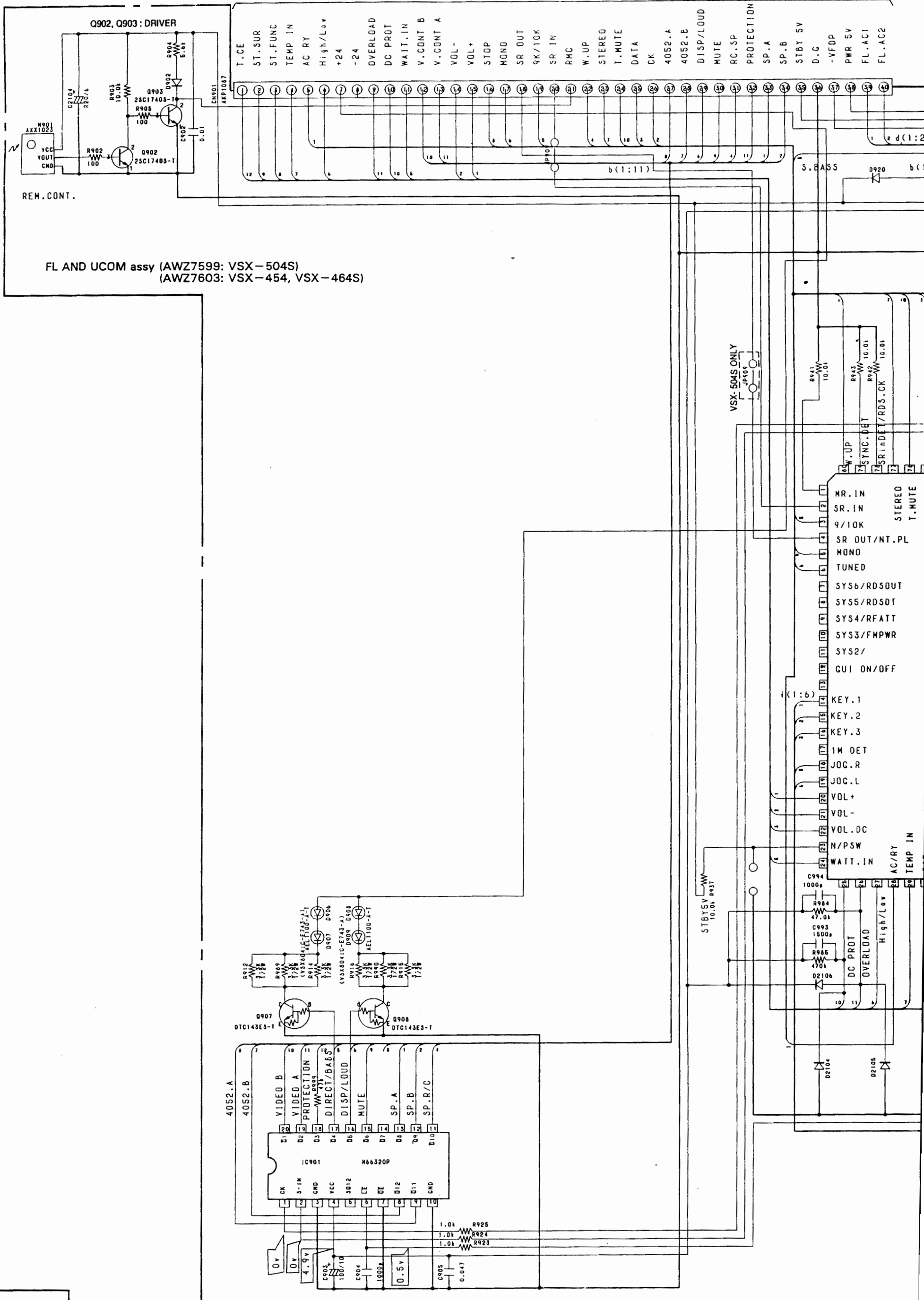
B

C

D

E

F



FL AND UCOM assy (AWZ7599: VSX-504S)
(AWZ7603: VSX-454, VSX-464S)

VSX-504S ONLY
JP405

SCH-3

FL AND UCOM ASSY

1

2

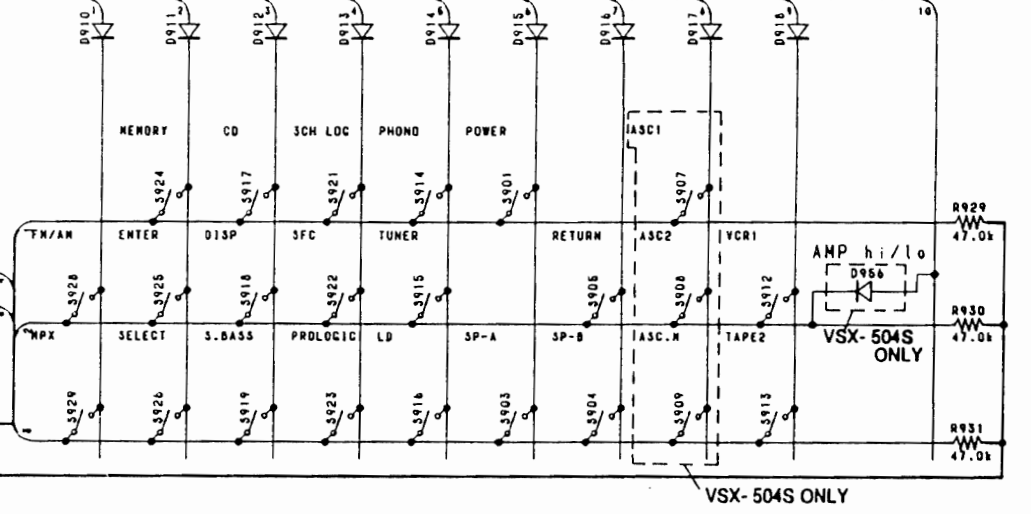
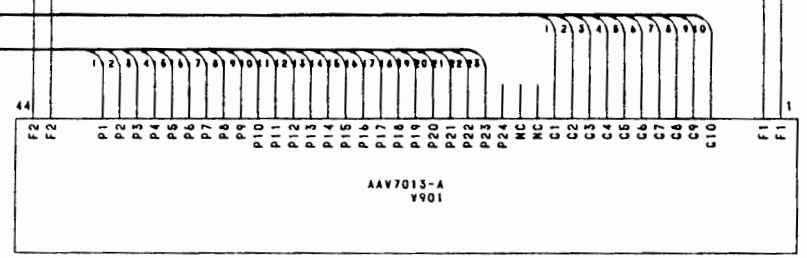
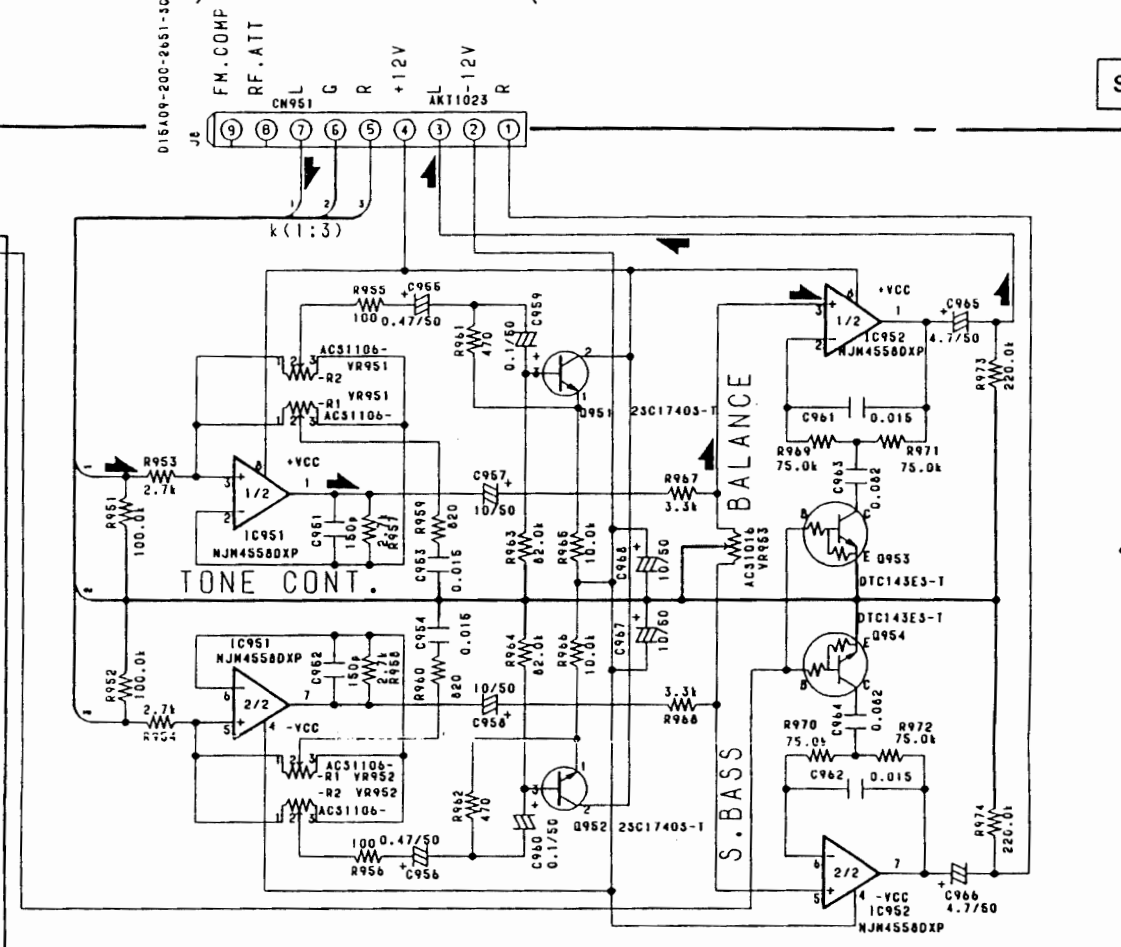
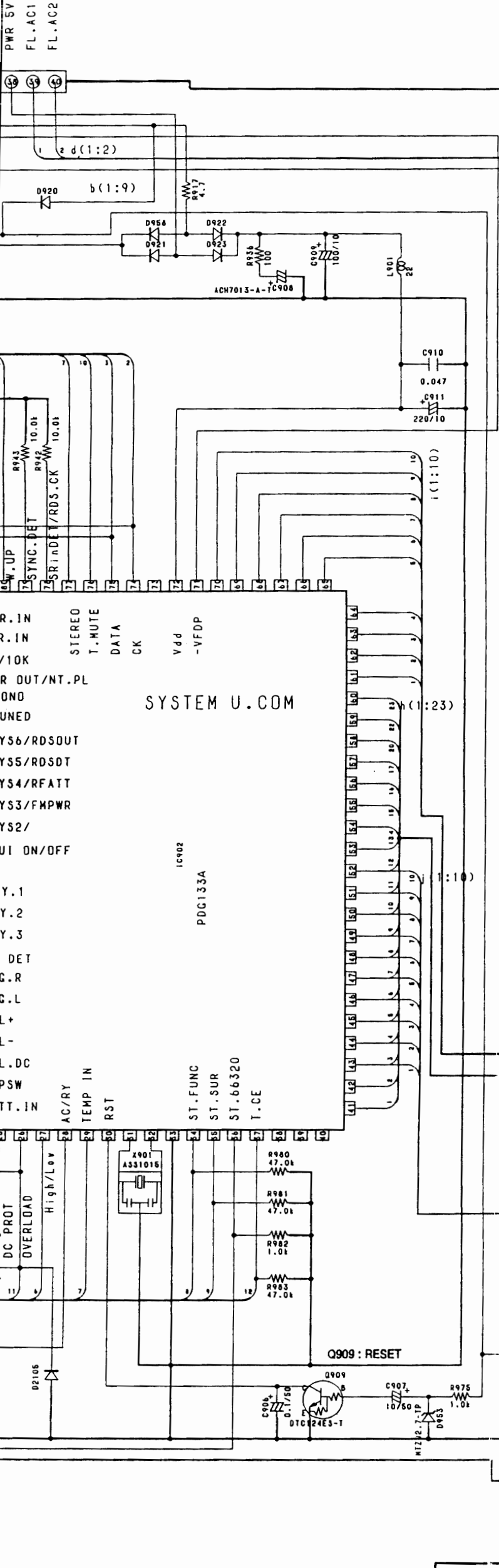
3

4

5

Y 813

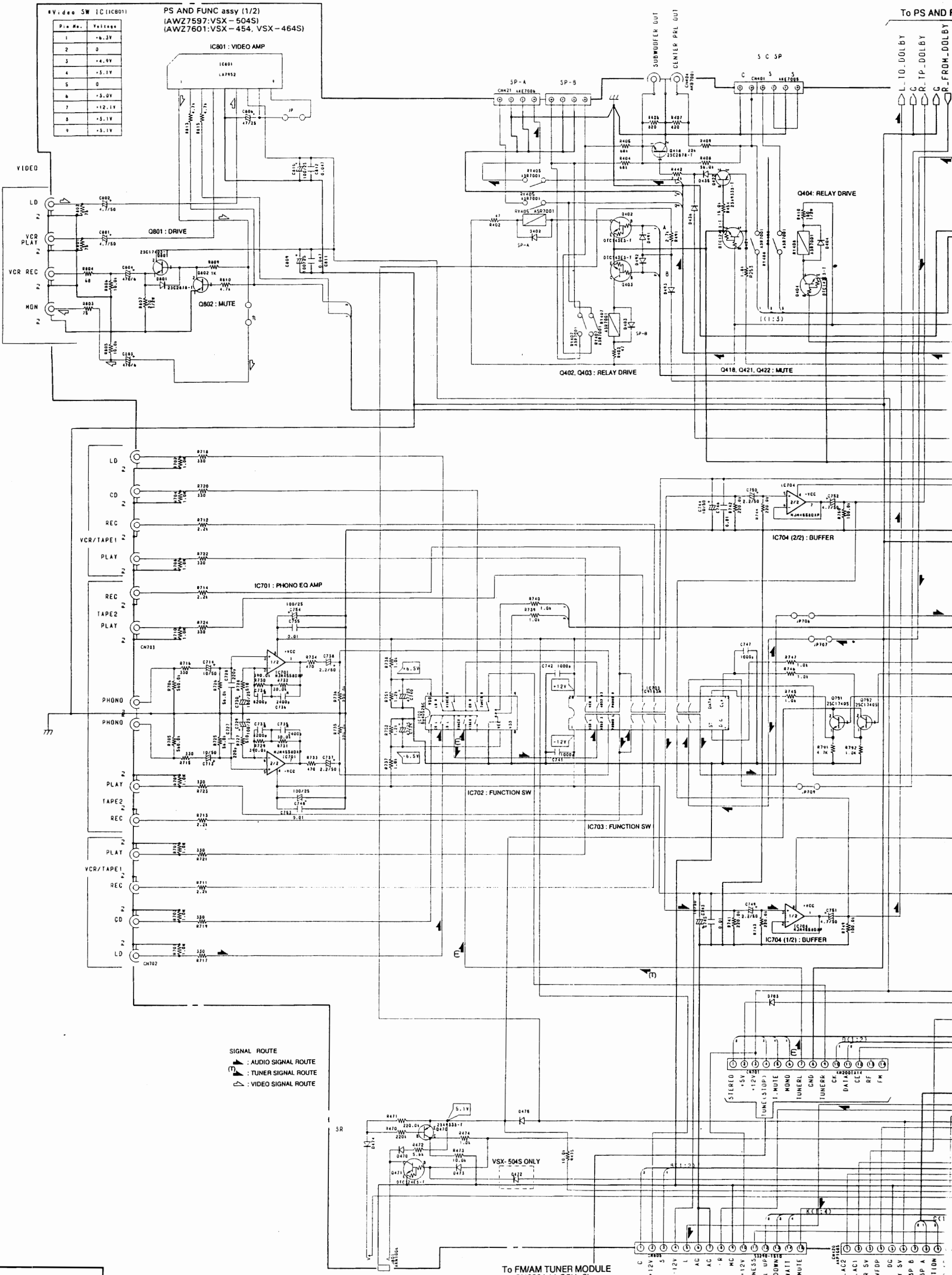
To PS AND FUNC assy (1/2)
CN402 (→SCH- 4)



SIGNAL ROUTE
▲ : AUDIO SIGNAL ROUTE

4.4 PS AND FUNC ASSY

A
B
C
D
E
F

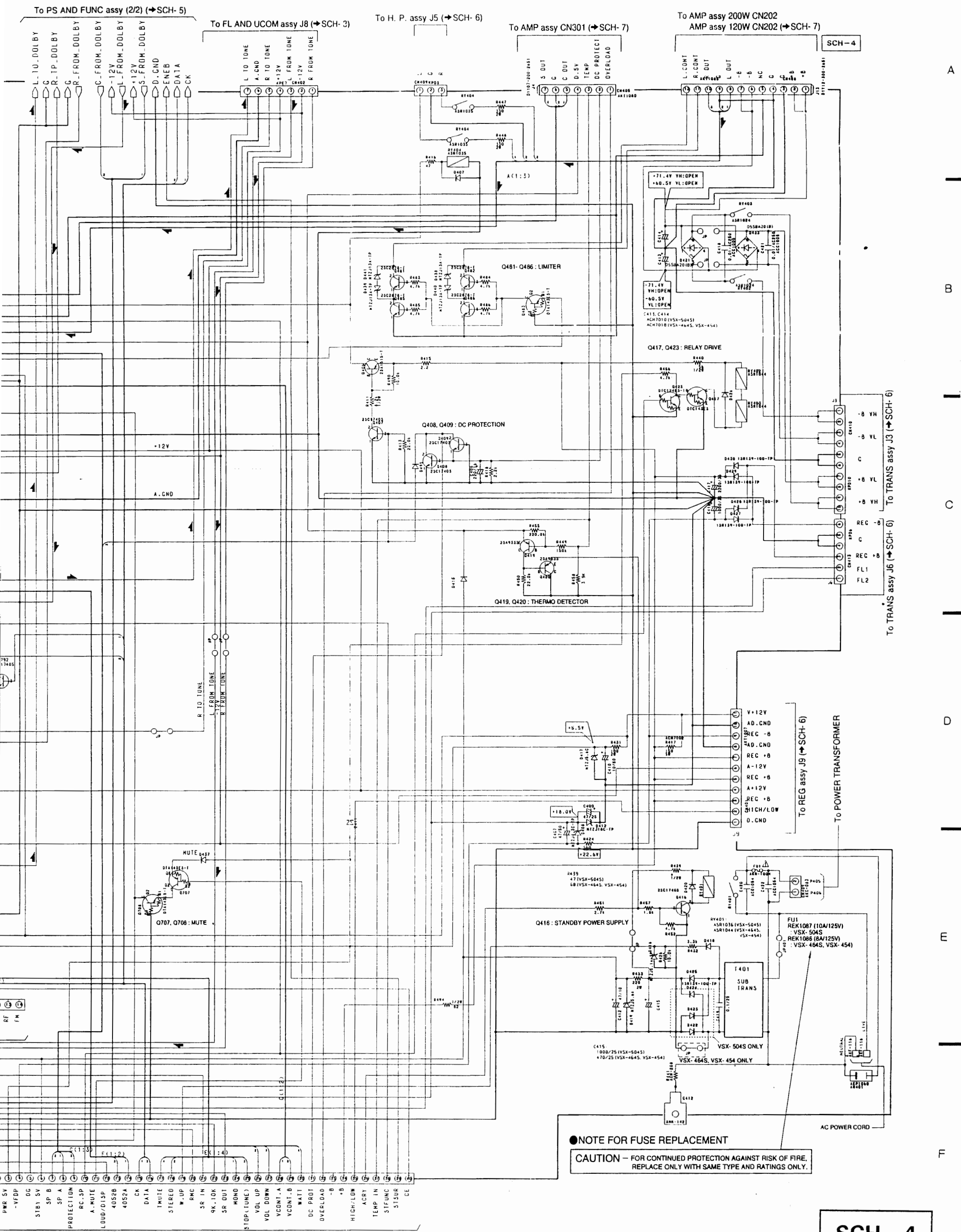


SCH-4

PS AND FUNC ASSY (1/2)

To FM/AM TUNER MODULE
CN6201 (→SCH-2)

To VOL. assy CN604 (→SCH-6)



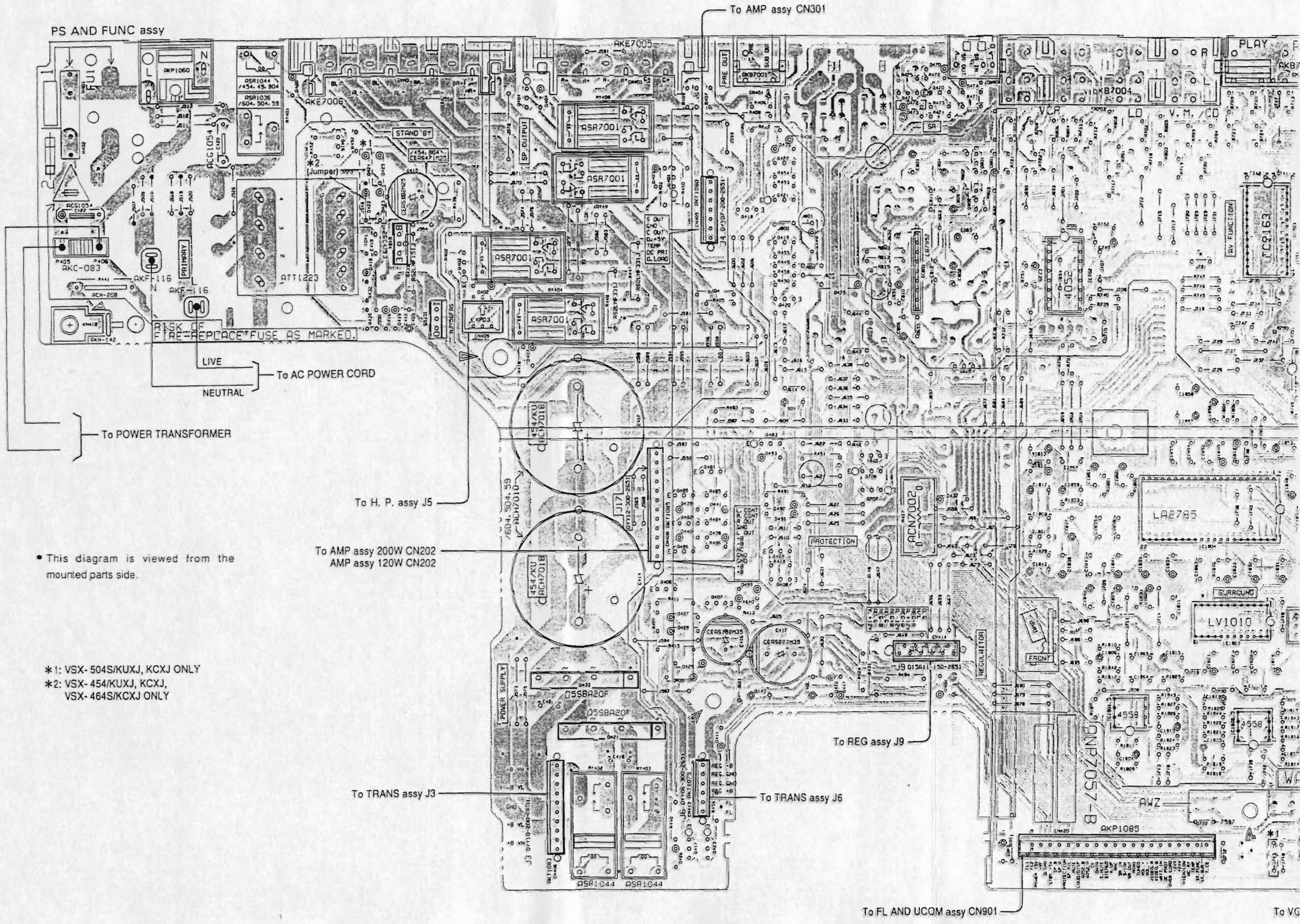
SCH-4

PS AND FUNC ASSY (1/2)

A
B
C
D
E
F
G
H
I
J

A
B
C
D

PS AND FUNC assy



• This diagram is viewed from the mounted parts side.

- *1: VSX-504S/KUXJ, KCXJ ONLY
- *2: VSX-454/KUXJ, KCXJ, VSX-464S/KCXJ ONLY

RISK OF FIRE - REPLACE FUSE AS MARKED.
LIVE
NEUTRAL
To AC POWER CORD

To POWER TRANSFORMER

To H. P. assy J5

To AMP assy 200W CN202
AMP assy 120W CN202

To TRANS assy J3

To TRANS assy J6

To REG assy J9

To FL AND UCOM assy CN901

To VG

1 2 3 4 5 6

1 2 3 4 5 6

A

B

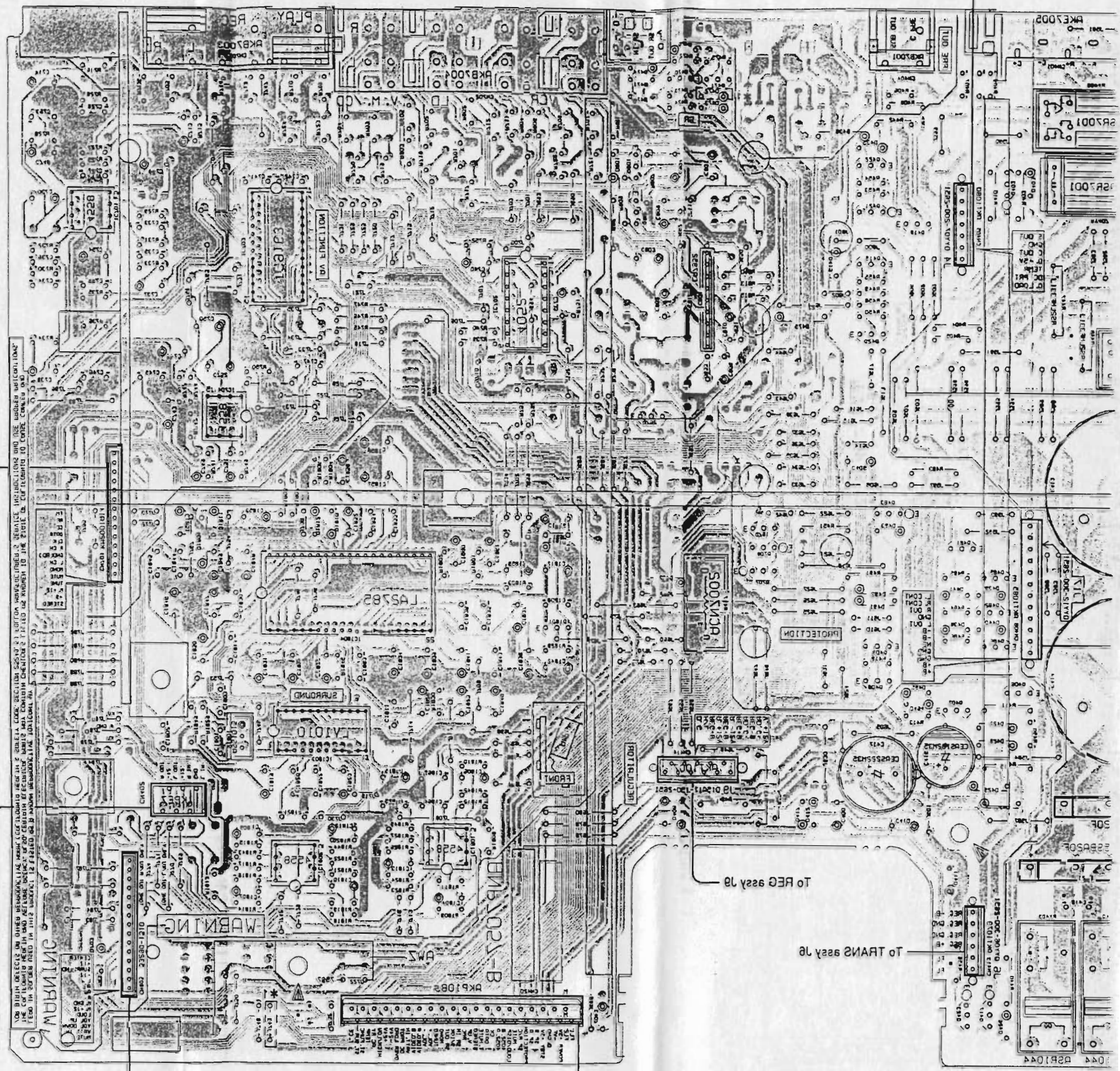
C

D

TO FM/TUNER MODULE C9501

TO FL AND UCOM assy 18

- 0453 0417
- IC805 IC801
- IC803
- 0408 0408
- 0402 0402
- 0488 0488
- 0485 0485
- 0492 0492
- 0481 0481
- 0483 0483
- IC804
- 0407 0407
- IC803
- 0404 0404
- 0450 0450
- IC805
- 0418 0418
- 0403 0403
- 0455 0455
- 0801 0801
- IC201
- 0418 0418
- 0805 0805
- 0451 0451
- IC201
- 0404 0404
- 0417 0417



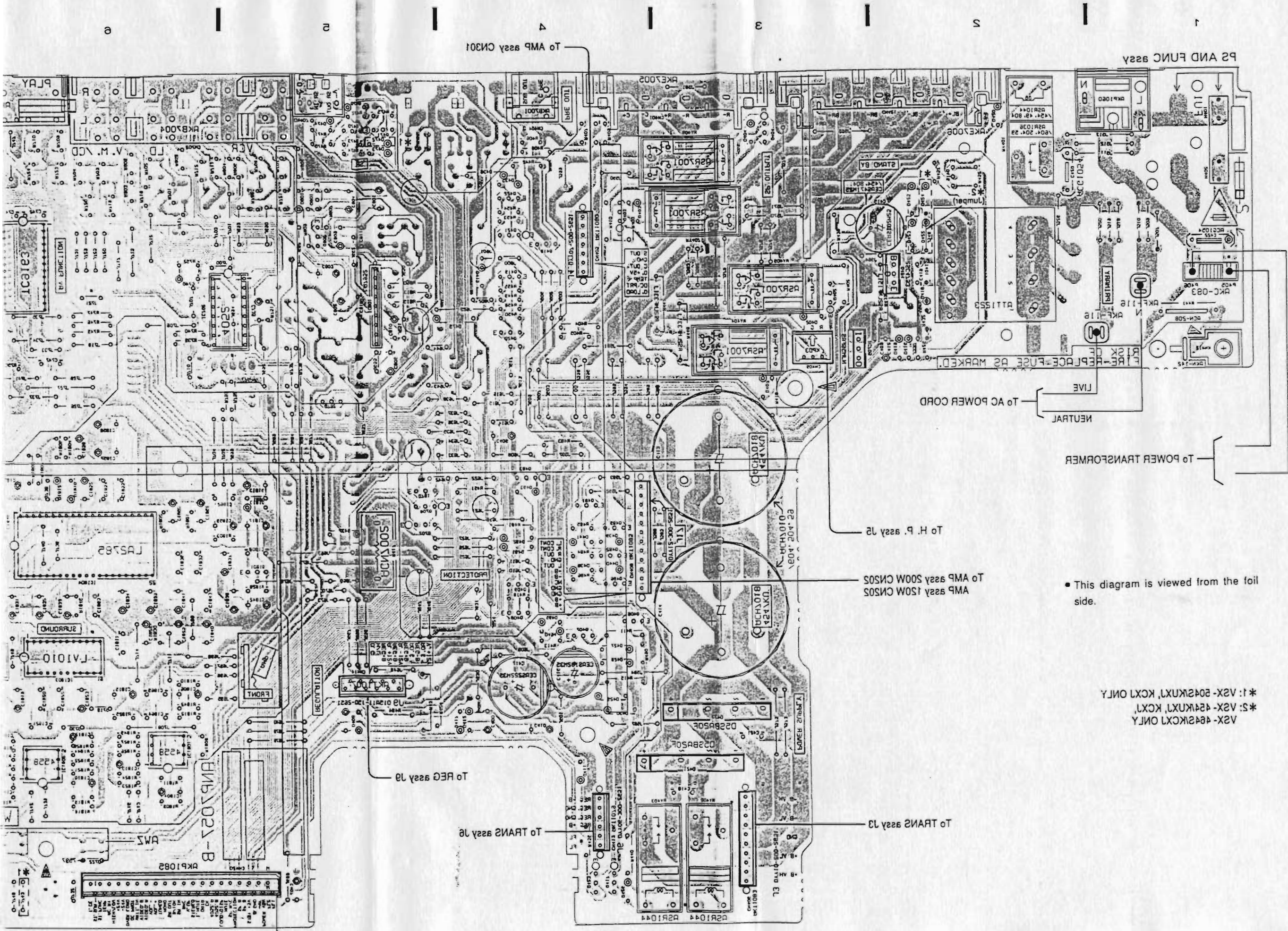
TO AMP assy C9301

TO REG assy 18

TO TRANS assy 18

TO FL AND UCOM assy C9001

TO ANT assy C9604



A
B
C
D

PS AND FUNC Assy

To AMP Assy C1301

LIVE
NEUTRAL
TO AC POWER CORD

TO POWER TRANSFORMER

To H.P. Assy 15

To AMP Assy 150W CANSOS
To AMP Assy 300W CANSOS

• This diagram is viewed from the foil side.

*1: V2X-504SKX1, KCX1 ONLY
*2: V2X-484KX1, KCX1
V2X-484SKX1 ONLY

To TRANS Assy 13

To TRANS Assy 18

To REG Assy 18

To FL AND UCOM Assy C1301

To P

1

2

3

4

5

A

1

2

3

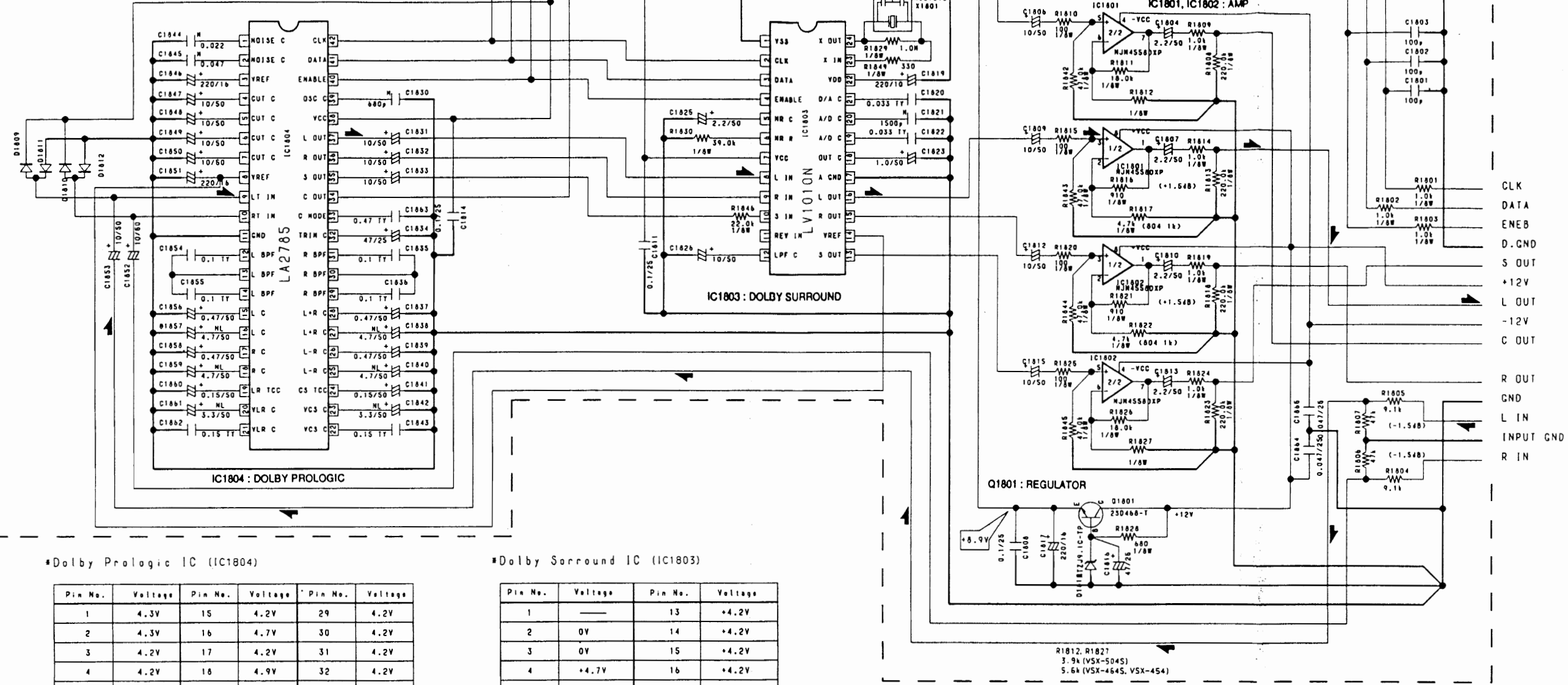
4

5

A

SCH-5

PS AND FUNC assy (2/2) (AWZ7597:VSX-504S)
(AWZ7601:VSX-454, VSX-464S)



*Dolby Prologic IC (IC1804)

Pin No.	Voltage	Pin No.	Voltage	Pin No.	Voltage
1	4.3V	15	4.2V	29	4.2V
2	4.3V	16	4.7V	30	4.2V
3	4.2V	17	4.2V	31	4.2V
4	4.2V	18	4.9V	32	4.2V
5	4.2V	19	4.2V	33	4.2V
6	4.2V	20	4.2V	34	4.2V
7	4.2V	21	4.2V	35	4.2V
8	4.2V	22	4.2V	36	4.2V
9	4.2V	23	4.2V	37	4.2V
10	4.2V	24	4.2V	38	8.4V
11	0V	25	4.9V	39	—
12	4.2V	26	4.2V	40	4.7V
13	4.2V	27	4.7V	41	0V
14	4.2V	28	4.2V	42	0V

*Dolby Surround IC (IC1803)

Pin No.	Voltage	Pin No.	Voltage
1	—	13	+4.2V
2	0V	14	+4.2V
3	0V	15	+4.2V
4	+4.7V	16	+4.2V
5	+2.4V	17	—
6	+0.7V	18	+4.2V
7	+8.4V	19	+4.2V
8	+4.2V	20	+4.2V
9	+4.2V	21	+4.2V
10	+4.2V	22	+4.8V
11	+4.2V	23	—
12	+4.2V	24	—

SIGNAL ROUTE
▲ : AUDIO SIGNAL ROUTE

CLK
DATA
ENEB
D.GND
S OUT
+12V
L OUT
-12V
C OUT
R OUT
GND
L IN
INPUT GND
R IN

To PS AND FUNC assy (1/2) (SCH-4)

SCH-5

PS AND FUNC ASSY (2/2)

SCH-5

PS AND FUNC ASSY (2/2)

1

2

3

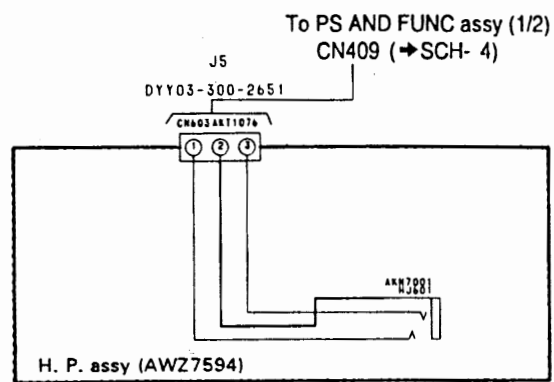
4

5

6

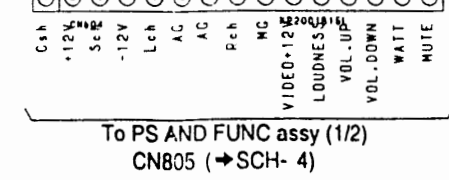
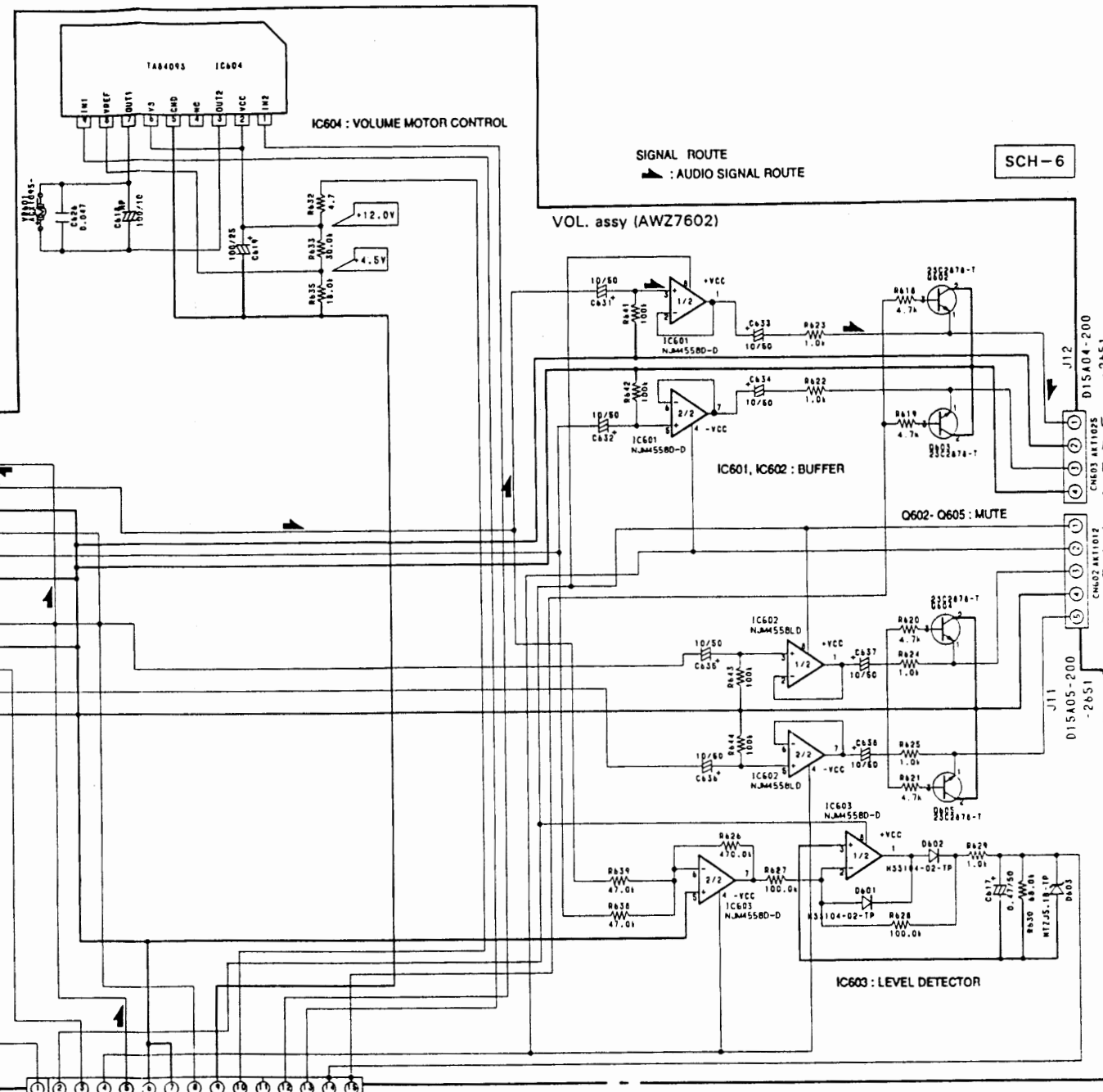
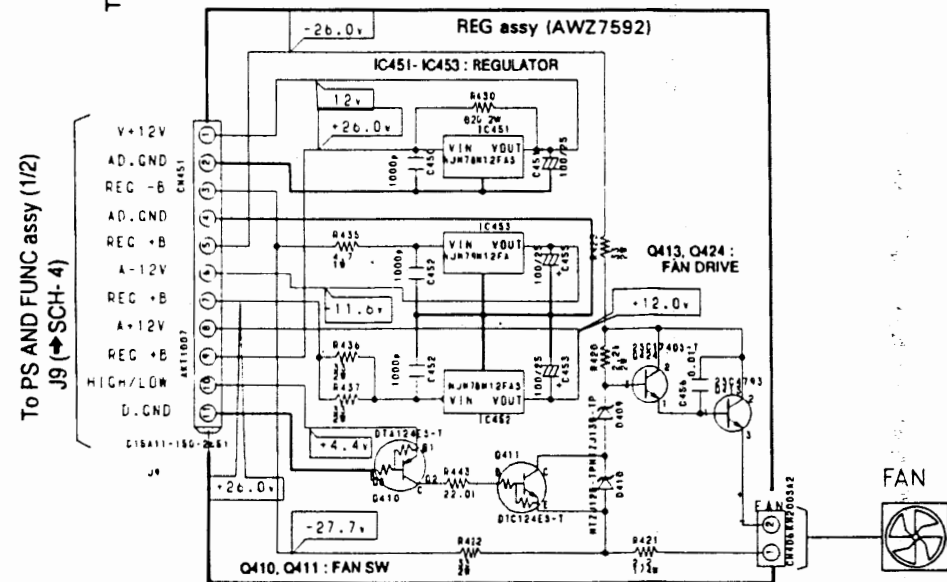
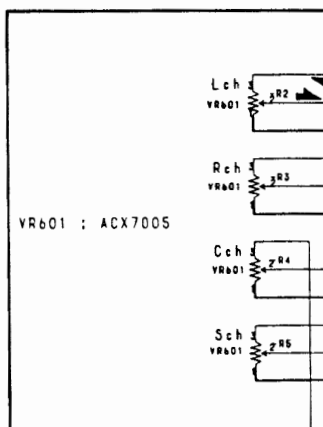
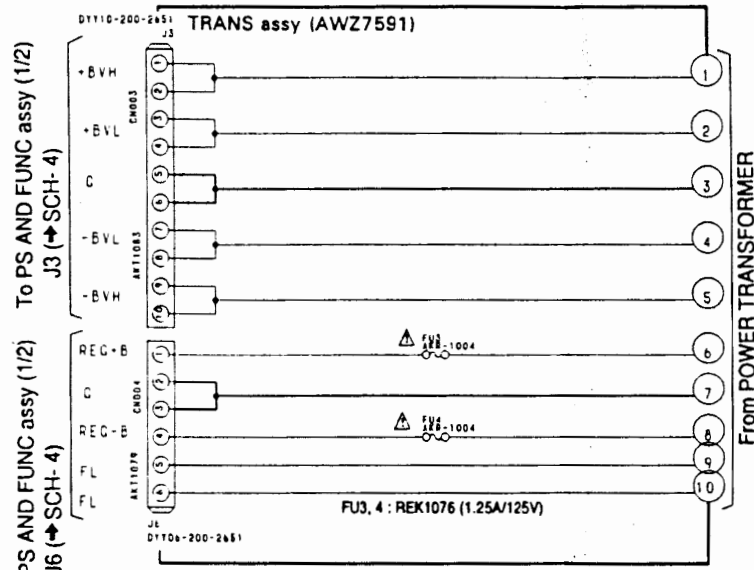
4.5 VOL. ASSY, TRANS ASSY, REG ASSY AND H. P. ASSY

A



NOTE FOR FUSE REPLACEMENT

CAUTION - FOR CONTINUED PROTECTION AGAINST RISK OF FIRE, REPLACE ONLY WITH SAME TYPE AND RATINGS ONLY.



To AMP assy 200W CN203
AMP assy 120W CN203 (SCH-7)

To AMP assy 200W CN201
AMP assy 120W CN201 (SCH-7)

A

B

C

D

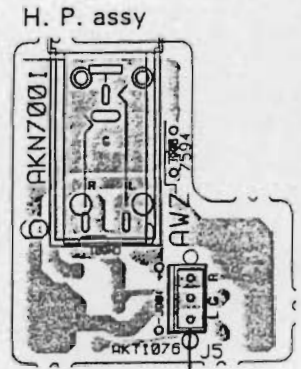
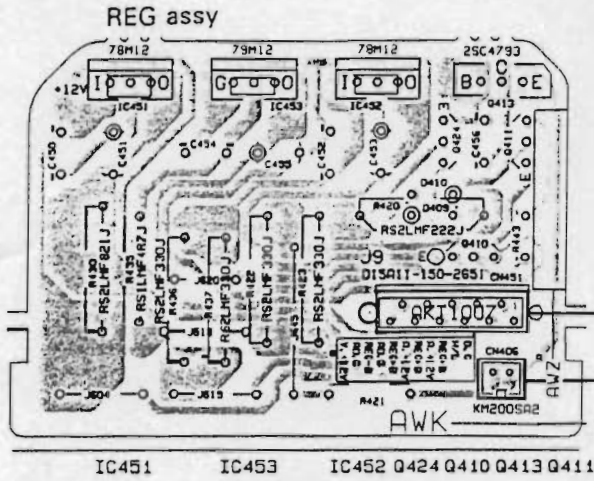
SCH-6

VOL. ASSY, TRANS ASSY,
REG ASSY, H. P. ASSY

VOL. ASSY, TRANS ASSY,
REG ASSY, H. P. ASSY

SCH-6

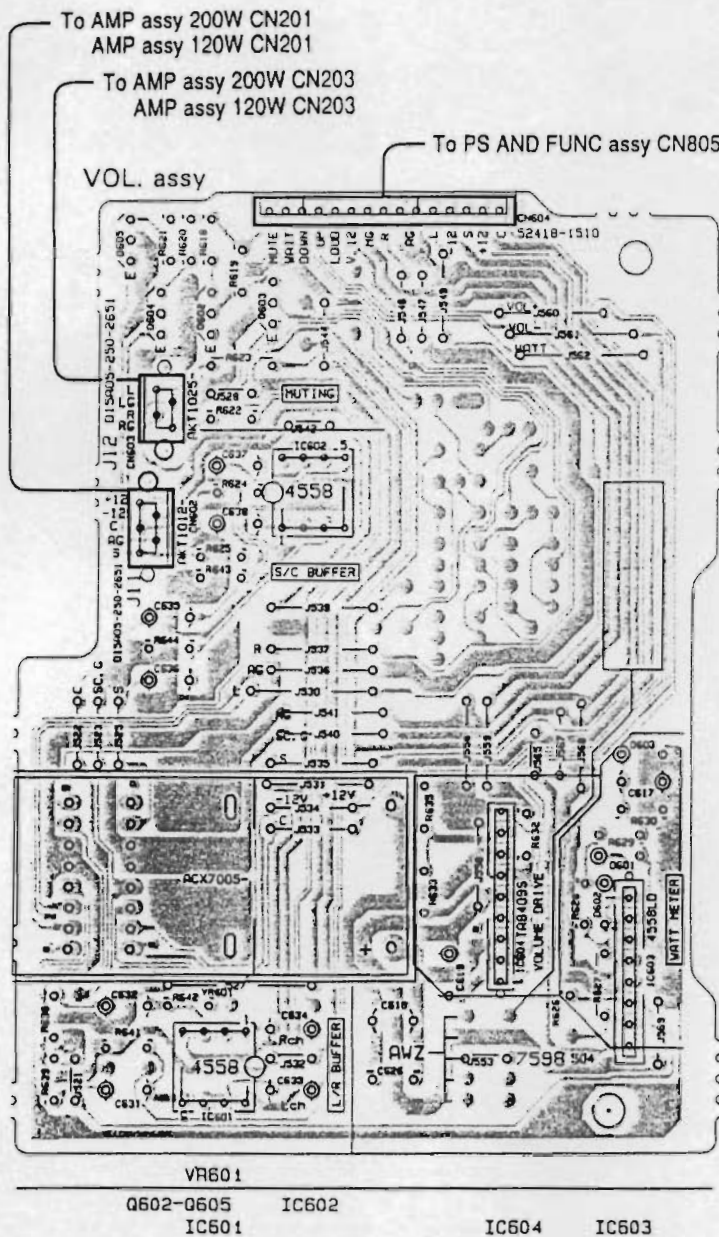
• This diagram is viewed from the mounted parts side.



To PS AND FUNC assy J9.

To FAN MOTOR

To PS AND FUNC assy CN409



To PS AND FUNC assy J6

TRANS assy

From POWER TRANSFORMER

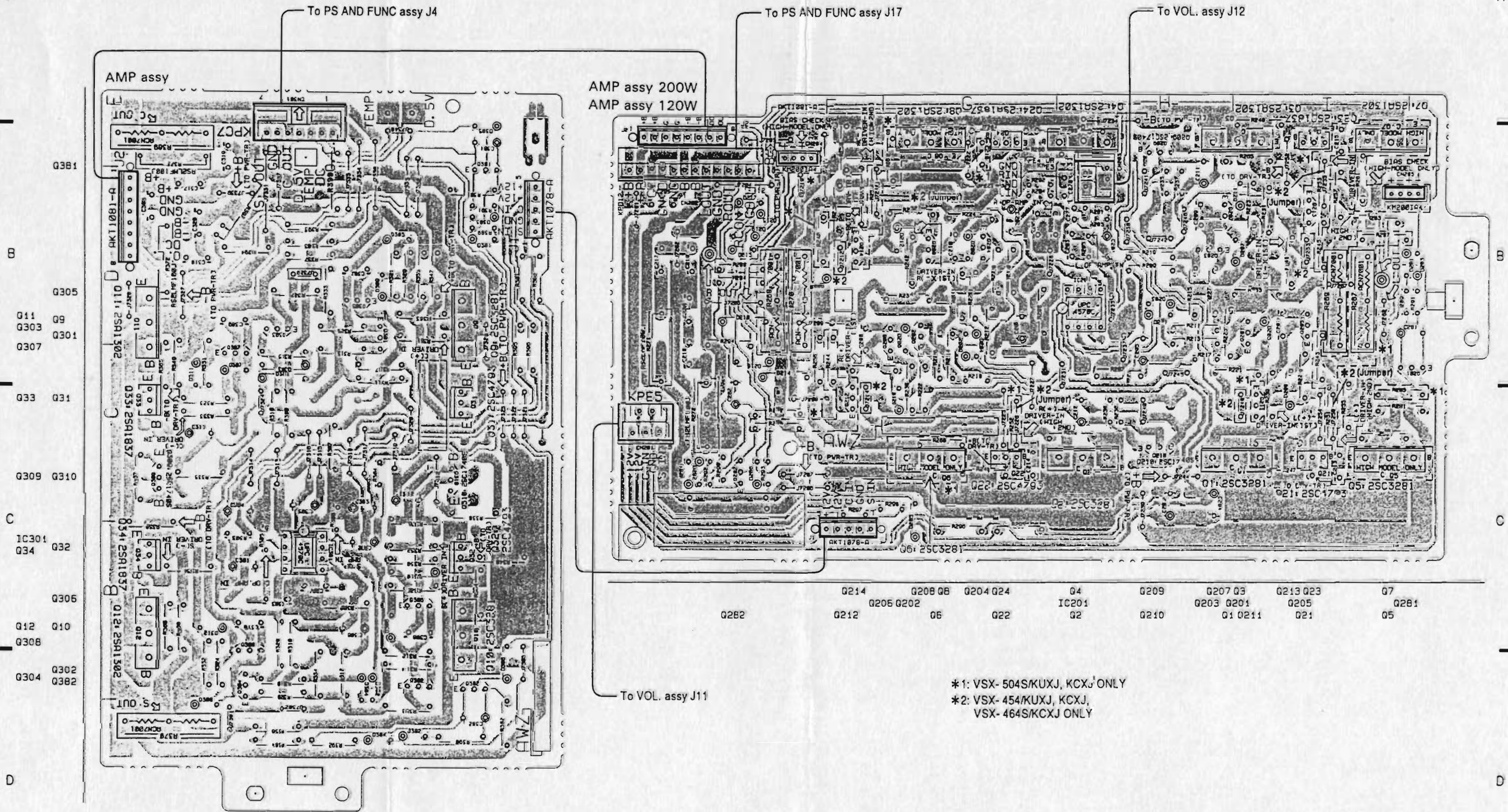
To PS AND FUNC assy J3

4.6 AMP ASSY, AMP ASSY 200W AND AMP ASSY 120W

• This diagram is viewed from the mounted parts side.

A

A



AMP assy 200W(AWZ7581: VSX-504S)
AMP assy 120W(AWZ7580: VSX-454, VSX-464S)

*1: VSX-504S ONLY
*2: VSX-464S, VSX-454 ONLY

To VOL. assy J11 (→SCH-6)
To VOL. assy J12 (→SCH-6)

5V GND UCh 12V

AMP assy (AWZ7579)

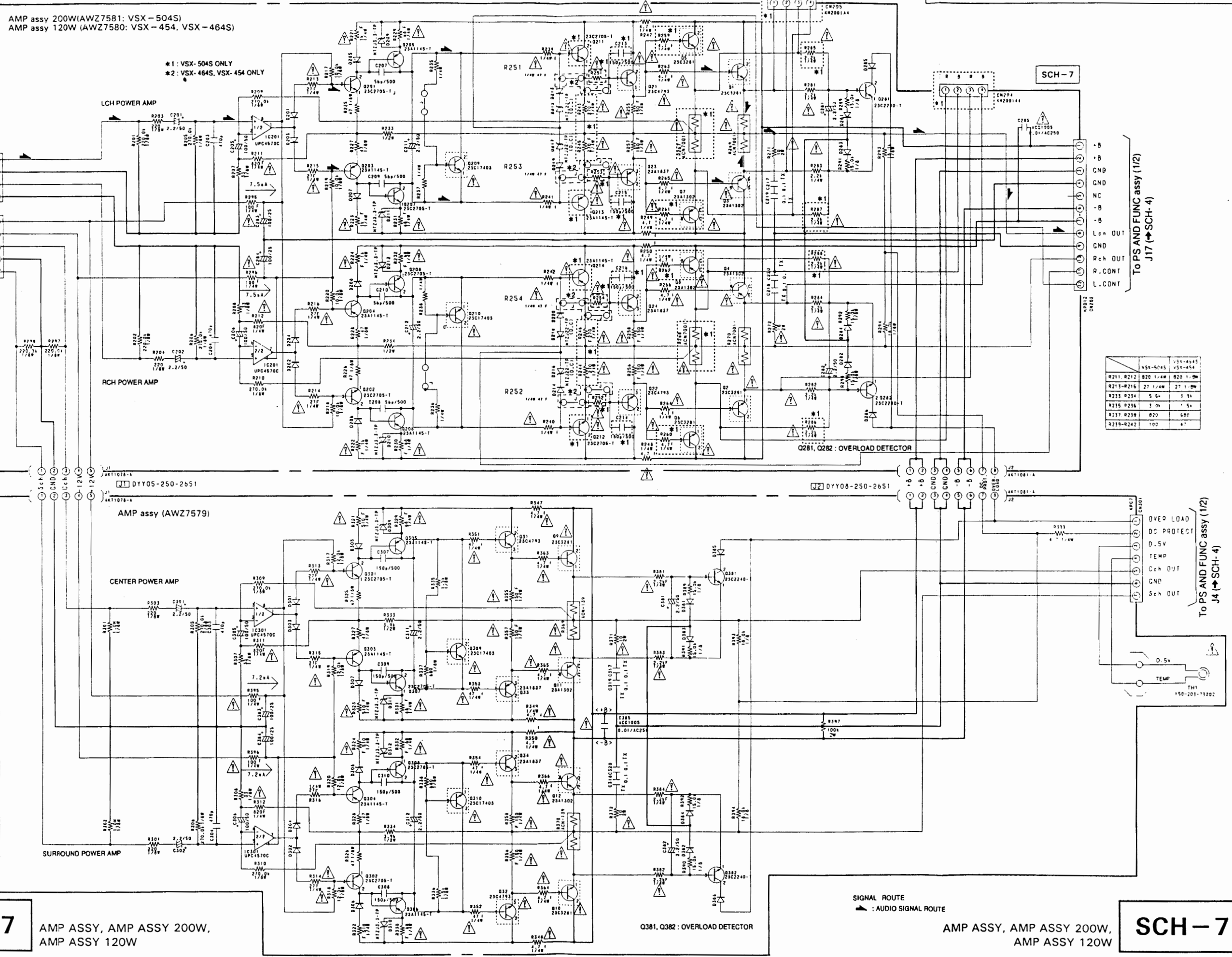
CENTER POWER AMP

D

SURROUND POWER AMP

SCH-7

AMP ASSY, AMP ASSY 200W,
AMP ASSY 120W



	VSX-504S	VSX-464S	VSX-454
R211-R212	Q20 1/4W	Q20 1/4W	Q20 1/4W
R213-R216	27 1/4W	27 1/4W	27 1/4W
R217-R218	5 5/8	1 1/4	1 1/4
R219-R220	3 0/4	1 5/8	1 5/8
R221-R222	Q20	Q20	Q20
R223-R224	100	4"	4"

SCH-7

To PS AND FUNC assy (1/2)
J17 (→SCH-4)

To PS AND FUNC assy (1/2)
J4 (→SCH-4)

SIGNAL ROUTE
▶ : AUDIO SIGNAL ROUTE

Q381, Q382 : OVERLOAD DETECTOR

AMP ASSY, AMP ASSY 200W,
AMP ASSY 120W

SCH-7

VSX-504S, VSX-464S, VSX-454

5. PCB PARTS LIST

NOTES:

- Parts marked by "NSP" are generally unavailable because they are not in our Master Spare Parts List.
- The Δ mark found on some component parts indicates the importance of the safety factor of the part. Therefore, when replacing, be sure to use parts of identical designation.
- Parts marked by "•" are not always kept in stock. Their delivery time may be longer than usual or they may be unavailable.
- When ordering resistors, first convert resistance values into code form as shown in the following examples.

Ex. 1 When there are 2 effective digits (any digit apart from 0), such as 560 ohm and 47k ohm (tolerance is shown by J = 5%, and K = 10%).

560Ω → 56 × 10¹ → 561 RD1/8PM Δ Δ J

47kΩ → 47 × 10³ → 473 RD1/4PS Δ Δ J

0.5Ω → 0R5 RN2H Δ Δ K

1Ω → 010 RS1P Δ Δ K

Ex. 2 When there are 3 effective digits (such as in high precision metal film resistors).

5.62kΩ → 562 × 10¹ → 5621 RM1/4PC Δ Δ F

LIST OF WHOLE PCB ASSEMBLIES

Mark	Symbol and Description	Part No.					Remarks
		VSX-504S		VSX-464S			
		KUXJ	KCXJ	KUXJ	KCXJ	KCXJ	
NSP	FM/AM TUNER MODULE	AXQ3112	AXQ3112	AXQ3112	AXQ3112	AXQ3112	
	MOTHER assy	AWK7124	AWK7124	AWK7127	AWK7127	AWK7127	
	├ PS AND FUNC assy	AWZ7597	AWZ7597	AWZ7601	AWZ7601	AWZ7601	
NSP	├ VOL. assy	AWZ7602	AWZ7602	AWZ7602	AWZ7602	AWZ7602	
	├ TRANS assy	AWZ7591	AWZ7591	AWZ7591	AWZ7591	AWZ7591	
	├ REG assy	AWZ7592	AWZ7592	AWZ7592	AWZ7592	AWZ7592	
NSP	FL AND AMP assy	AWK7125	AWK7125	AWK7128	AWK7128	AWK7128	
	├ FL AND UCOM assy	AWZ7599	AWZ7599	AWZ7603	AWZ7603	AWZ7603	
	├ H. P. assy	AWZ7594	AWZ7594	AWZ7594	AWZ7594	AWZ7594	
NSP	├ AMP assy	AWZ7579	AWZ7579	AWZ7579	AWZ7579	AWZ7579	
	├ AMP assy 200W	AWZ7581	AWZ7581	Not used	Not used	Not used	
	├ AMP assy 120W	Not used	Not used	AWZ7580	AWZ7580	AWZ7580	

CONTRAST OF PCB ASSEMBLIES

PS AND FUNC ASSY

AWZ7597 and AWZ7601 have the same construction except for the following:

Mark	Symbol and Description	Part No.		Remarks
		AWZ7597	AWZ7601	
	D422 D424	1SR139-100	Not used	
	D472	1SS252	Not used	
	C414, C414 (12000/F.50V)	ACH7010	Not used	
	C413, C414 (8200/F.71V)	Not used	ACH7018	
	C415	CEAS102M25	CEAS471M25	
	RY401	ASR1036	ASR1044	
	R439	RD1/2PM470J	RD1/2PM680J	
	R1812, R1827	RD1/8PM392J	RD1/8PM562J	

FL AND UCOM ASSY

AWZ7599 and AWZ7603 have the same construction except for the following:

Mark	Symbol and Description	Part No.		Remarks
		AWZ7599	AWZ7603	
	D956	1SS252	Not used	
	S907-S909	ASG1034	Not used	

AMP ASSY 200W (AWZ7581) AND AMP ASSY 120W (AWZ7580)

AWZ7581 and AWZ7580 have the same construction except for the following:

Mark	Symbol and Description	Part No.		Remarks
		AWZ7581	AWZ7580	
	Q211, Q212	2SC2705	Not used	
	Q213, Q214	2SA1145	Not used	
	C213-C216	CCCSL151K500	Not used	
	VR201, VR202	VRTS6HS102	Not used	
	R211, R212	RD1/4PMF821J	RD1/8PM821J	
	R213-R216	RD1/4PMF270J	RD1/8PM270J	
	R233, R234	RD1/2PM562J	RD1/2PM392J	
	R235, R236	RN1/4PC3001F	RN1/4PC1501F	
	R237, R238	RN1/4PC8200F	RN1/4PC6800F	
	R239, R242	RF1/4PS101J	RF1/4PS470J	
R243-R246	RD1/4PMF271J	Not used		
R251-R254	RD1/4PMF470J	Not used		
R259-R262	RF1/4PS4R7J	Not used		
R267, R268 (0.33Ω/5W)	ACN7001	Not used		
R281-R284	RD1/4PMFL222J	RD1/4PMFL222J		
R285-R288	RD1/4PMFL221J	Not used		

PARTS LIST FOR VSX-504S/KUXJ

Mark No.	Description	Parts No.	Mark No.	Description	Parts No.
FM/AM TUNER MODULE			COILS AND FILTERS		
SEMICONDUCTORS			F6101	CERAMIC FILTER	ATF-155
IC6201	AM/FM +MPX IC	LA1836M	F6202	AM CERAMIC FILTER	ATF1155
IC6202	PLL IC	LM7001J	F6203, 6204	CERAMIC FILTER	ATF-119
Q6101	DUALGATE-FETA (CHIP)	3SK194	L6101	COIL	ATC1020
Q6102	TRANSISTOR	2SC2223	L6102	COIL	ATC1021
Q6103	TRANSISTOR	2SC2714	L6103	TIP COIL	ATH1042
Q6104	MOS-FET	2SK302	L6104	COIL	ATC1002
Q6201	NCH-FET (SMD)	2SK208	L6202, 6203	CHIP COIL	LCTA2R23225
Q6202	TRANSISTOR	2SC2712	L6207	FM DETECTION COIL	ATE1013
Q6203	TRANSISTOR	2SC2235	L6208	CHIP COIL	LCTA2R23225
Q6204	TRANSISTOR	XDA124EK	TRANSFORMER		
Q6214	TRANSISTOR	2SC2714	T6101	FM IF TRANS.	ATE-063
Q6217	TRANSISTOR	XDC124EK	OTHERS		
D6101, 6102	VARI-CAP DIODE	1T33	CN6201	14P SOCKET	EP2001A14L

Mark No.	Description	Parts No.	Mark No.	Description	Parts No.
CAPACITORS			RESISTORS		
C5101	CHIP CAPACITOR	CCSQCH050C50	VR5201	VARIABLE RESISTOR (10kΩ)	ACP1056
C5102	CERAMIC CAPACITOR	CKSQYB103K50	VR6202	VARIABLE RESISTOR	VRTB6V5223
C5103	CHIP CAPACITOR	CKSQYB102K50	R6101	CHIP RESISTOR	RS1.85470J
C5105	CHIP CAPACITOR	CCSQTH150J50	R6113, 6116	CHIP RESISTOR	RS1.85000J
C5106	CHIP CAPACITOR	CKSQYB102K50	R6113	CHIP RESISTOR	RS1.85000J
C5107	CHIP CAPACITOR	CCSCH010C50	R6209	CHIP RESISTOR	RS1.85221J
C5108	CHIP CAPACITOR	CCSQCH101J50	R6211	CHIP RESISTOR	RS1.85103J
C5109	CERAMIC CAPACITOR	CKSQYB103K50	R6237	CHIP RESISTOR	RS1.85182J
C5110	CHIP CAPACITOR	CCSQCH020C50	R6239	CHIP RESISTOR	RS1.85332J
C5111	CHIP CERAMIC C.	CCSQCH150J50	R6243, 6244	CHIP RESISTOR	RS1.85101J
C5112	CHIP CAPACITOR	CKSQYB102K50	R6268 - 6271	CHIP RESISTOR	RS1.85000J
C5113	CHIP CAPACITOR	CCSQRH180J50	R6273, 6276	CHIP RESISTOR	RS1.85000J
C5114	CHIP CAPACITOR	CCSQRH080D50	R6278, 6283	CHIP RESISTOR	RS1.85000J
C5115	CHIP CAPACITOR	CCSQCH330J50	R6284, 6290	CHIP RESISTOR	RS1.85000J
C5116	CHIP CERAMIC C.	CCSQCH150J50	R6293, 6294	CHIP RESISTOR	RS1.85000J
C5117	CERAMIC CAPACITOR	CKSQYB103K50	R6297	CHIP RESISTOR	RS1.85000J
C5202	CAPACITOR (CERAMIC)	ACG1051	R6299, 6300	CARBON FILM RESISTOR	RD1.8PM102J
C5203	CHIP CAPACITOR	CCSQCH101J50	Other Resistors		
C5204	CHIP CAPACITOR	CKSQYB102K50	OTHERS		
C5208	CHIP CERAMIC C.	CCSQCH150J50	AM RF TUNING BLOCK		
C5209	CERAMIC CAPACITOR	CKSQYB473K50	BN6201	TERMINAL 4-P	AXX1025
C5210	CERAMIC CAPACITOR	CKSQYB103K50	X6201	CRYSTAL RESONATOR	AKA1016
C5212	CHIP CAPACITOR	CKSQYF103Z50	X6202	CERAMIC RESONATOR	ASS1066
C5213	CHIP CAPACITOR	CKSQYB223K50	X6203	CRYSTAL RESONATOR	ATF1027
C5214	AUDIO FILM CAPACITOR	CFTXA224J50	CRYSTAL RESONATOR		
C5215	AUDIO FILM CAPACITOR	CFTXA103J50	PS AND FUNC ASSY		
C5216, 6217	ELECT. CAPACITOR	CEAS330M16	SEMICONDUCTORS		
C5218	CHIP CAPACITOR	CKSQYF103Z50	IC1801, 1802	OP - AMP IC	NJM4558D - D
C5219	ELECT. CAPACITOR	CEAS470M10	IC1803	IC	LV1010N
C5220	CHIP CAPACITOR	CKSQYF223Z50	IC1804	IC	LA2785
C5221, 6222	CHIP CERAMIC C.	CCSQCH150J50	IC701	OP - AMP IC	NJM4558D - D
C5223	CHIP CAPACITOR	CKSQYF103Z50	IC702	LOGIC IC	BU4052BC
C5224	ELECT. CAPACITOR	CEAS100M50	IC703	E - SW IC	TC9163AN
C5225	CERAMIC CAPACITOR	CKSQYF473Z50	IC704	OP - AMP IC	NJM4558D - D
C5226	CHIP CAPACITOR	CKSQYF223Z50	IC301	VIDEO SWITCH	LA7932
C5227	ELECT. CAPACITOR	CEAS470M25	Q1801	TRANSISTOR	2SD468
C5228	CERAMIC CAPACITOR	CKSQYB472K50	Q402 - 404	TRANSISTOR	DTC143ES
C5229	CERAMIC CHIP C.	CCSCH821J50	Q406	TRANSISTOR	2SA1515
C5230	CERAMIC CAPACITOR	CKSQYB333K50	Q407 - 409	TRANSISTOR	2SC1740S
C5231	ELECT. CAPACITOR	CEAS3R3M50	Q416	TRANSISTOR	2SC1740S
C5232	CERAMIC CAPACITOR	CKSYB333K50	Q417	TRANSISTOR	DTC143ES
C5233	ELECT. CAPACITOR	CEAS3R3M50	Q418	TRANSISTOR	2SC2878
C5234	CAPACITOR (CERAMIC)	ACG1051	Q419, 420	TRANSISTOR	2SA933S
C5235	CERAMIC CAPACITOR	CKSQYF224Z25	Q421	TRANSISTOR	DTC124ES
C5236	CAPACITOR (CERAMIC)	ACG1051	Q422	TRANSISTOR	2SA933S
C5237	CERAMIC CAPACITOR	CKSQYB473K50	Q423	TRANSISTOR	DTC124ES
C5238	ELECT. CAPACITOR	CEJA100M16	Q470	TRANSISTOR	2SA933S
C5239	CHIP CAPACITOR	CKSQYF223Z50	Q471	TRANSISTOR	DTC124ES
C5241	CERAMIC CAPACITOR	CKSQYF473Z50	Q481, 482	TRANSISTOR	2SC2878
C5242	CHIP CAPACITOR	CKSQYF223Z50	Q483	TRANSISTOR	DTA143ES
C5243 - 6245	ELECT. CAPACITOR	CEAS470M16	Q485, 486	TRANSISTOR	2SC2878
C5246	ELECT. CAPACITOR	CEAS100M50	Q707, 708	TRANSISTOR	DTA143ES
C5249, 6250	ELECT. CAPACITOR	CEJA487M35	Q791, 792	TRANSISTOR	2SC1740S
C5251	CHIP CAPACITOR	CKSQYB472K50	Q801	TRANSISTOR	2SC1740S
C5252	CERAMIC CAPACITOR	CKSQYB472K50	Q802	TRANSISTOR	2SC3878
C5255	CHIP CAPACITOR	CKSQYF223Z50	D1809 - 1812	DIODE	1SS252
C5261	ELECT. CAPACITOR	CEAS010M50	D1813	ZENER DIODE	MTZJ9.1C
C5262	ELECT. CAPACITOR	CEAS100M50	D402 - 404	DIODE	1SS252
C5263	CHIP CAPACITOR	CKSYF473Z50	D407	DIODE	1SS252
C5264	CERAMIC CAPACITOR	CKSQYB103K50	D408	ZENER DIODE	MTZJ4.3C
C5265	CERAMIC CAPACITOR	CKSQYB473K50	D411	DIODE	1SS252
C5266	CERAMIC CAPACITOR	CKSQYF473Z50	D412	ZENER DIODE	MTZJ18C
C5267	CERAMIC CAPACITOR	CKSQYB473K50	D415	DIODE	1SS252
C5268	CHIP CAPACITOR	CCSQCH101J50			

VSX-504S, VSX-464S, VSX-454

VSX-504S, VSX-464S, VSX-454

Mark No.	Description	Parts No.	Mark No.	Description	Parts No.	Mark No.	Description	Parts No.	Mark No.	Description	Parts No.
D416	ZENER DIODE	MTZJ5.1A	C1857	ELECT. CAPACITOR	CEANL4R7M50	CN404	2P PIN JACK	AKB7001	R436, 437	METAL OXIDE RESISTOR	RS2LMF330J
D417	ZENER DIODE	MTZJ5.6C	C1858	ELECT. CAPACITOR	CEASR47M50	CN407	JACK	AKN1006	R443	CARBON FILM RESISTOR	RD1:8PM223J
D418	DIODE	1SS252	C1859	ELECT. CAPACITOR	CEANL4R7M50	CN420	40P SOCKET	AKP1085	OTHERS		
D419	ZENER DIODE	MTZJ5.6A	C1860	ELECT. CAPACITOR	CEASR15M50	CN421	SPEAKER TERMINAL 8-P	AKET006	CABLE HOLDER		
D420	DIODE	1SS252	C1861	ELECT. CAPACITOR	CEANL3R3M50	CN701	14P PLUG	KM200LA14	AKT1007		
D421	DIODE	D5SBA20 (B)	C1862	AUDIO FILM CAPACITOR	CFTXA154J50	CN702	PIN JACK (12P)	AKB7004	FL AND UCOM ASSY		
D422-425	DIODE	1SR139-100	C1863	AUDIO FILM CAPACITOR	CFTXA474J50	CN703	6P PIN JACK (TAPE2)	AKB7003	SEMICONDUCTORS		
D426	DIODE	1SS252	C1864, 1865	CERAMIC CAPACITOR	KCYX473M25	CN805	15P PLUG	53290-1510	IC901 PORT-EXPANDER IC		
D427-430	DIODE	1SR139-100	C400	ELECT. CAPACITOR	CEAS470M25	X1801	CERAMIC RESONATOR	ASS1015	IC902 CONTROL MCU		
D433	DIODE	D5SBA20 (B)	C406	ELECT. CAPACITOR	CEAS221M16	IC951, 952 OP-AMP IC					
D435-437	DIODE	1SS252	C407	ELECT. CAPACITOR	CEAS470M50	Q902, 903 TRANSISTOR					
D438-441	ZENER DIODE	MTZJ18B	C410	ELECT. CAPACITOR	CEAS100M50	Q907, 908 TRANSISTOR					
D470, 472	DIODE	1SS252	C412	ELECT. CAPACITOR	CEAS470M25	Q909 TRANSISTOR					
D473-475	DIODE	1SS252	C413, 414	ELECT. CAPACITOR	ACH7010	Q951, 952 TRANSISTOR					
D491-495	DIODE	1SS252	C415	ELECT. CAPACITOR	CEAS102M25	Q953, 954 TRANSISTOR					
D703, 801	DIODE	1SS252	C416	ELECT. CAPACITOR	CEAS102M35	D2104-2106 DIODE					
RELAYS			C417	ELECT. CAPACITOR	CEAS222M35	D902 DIODE					
RY401	RELAY	ASR1036	C418	CKA (0.01μF/AC250V)	ACG1005	D906-909 LED					
RY402, 403	RELAY	ASR1044	C419	CERAMIC CAPACITOR	CKCYX104M25	D910-918 DIODE					
RY404, 405	RELAY	ASR7001	C420	CKA (0.01μF/AC400V)	ACG1054	D920-923 DIODE					
RY407, 408	RELAY	ASR7001	C421	CKA (0.01μF/AC250V)	ACG1065	D953 ZENER DIODE					
TRANSFORMER			C422	CKA (0.01μF/AC400V)	ACG1054	D956, 958 DIODE					
T401	POWER TRANSFORMER	ATT1223	C713, 714	ELECT. CAPACITOR	CEAS100M50	S901 SWITCH					
CAPACITORS			C727, 728	CERAMIC CAPACITOR	CCSL221J50	S903-905 SWITCH					
C1801-1803	CERAMIC CAPACITOR	CCCC101J50	C729, 730	ELECT. CAPACITOR	CEAS101M25	S907-909 SWITCH					
C1804	ELECT. CAPACITOR	CEAS2R2M50	C733, 734	PLASTIC FILM CAPACITOR	CQMA822J50	S912-919 SWITCH					
C1806	ELECT. CAPACITOR	CEAS100M50	C735, 736	PLASTIC FILM CAPACITOR	CQMA242J50	S921-926 SWITCH					
C1807	ELECT. CAPACITOR	CEAS2R2M50	C737, 738	ELECT. CAPACITOR	CEAS2R2M50	S928, 929 SWITCH					
C1808	CERAMIC CAPACITOR	CKCYX104M25	C739, 740	ELECT. CAPACITOR	CEAS470M25	S941 ROTARY ENCODER					
C1809	ELECT. CAPACITOR	CEAS100M50	C741, 742	CERAMIC CAPACITOR	CKCYB102K50	L901 AXIAL INDUCTOR					
C1810	ELECT. CAPACITOR	CEAS2R2M50	C743, 744	ELECT. CAPACITOR	CEAS100M50	C2104 ELECT. CAPACITOR					
C1811	CERAMIC CAPACITOR	CKCYX104M25	C745, 746	CERAMIC CAPACITOR	KCYF103Z50	C901 CERAMIC CAPACITOR					
C1812	ELECT. CAPACITOR	CEAS100M50	C747	CERAMIC CAPACITOR	CKCYB102K50	C902 CERAMIC CAPACITOR					
C1813	ELECT. CAPACITOR	CEAS2R2M50	C748	ELECT. CAPACITOR	CEAS101M25	C903 ELECT. CAPACITOR					
C1814	CERAMIC CAPACITOR	CKCYX104M25	C749, 750	ELECT. CAPACITOR	CEAS2R2M50	C904 CERAMIC CAPACITOR					
C1815	ELECT. CAPACITOR	CEAS100M50	C751, 752	ELECT. CAPACITOR	CEAS4R7M50	C905 CERAMIC CAPACITOR					
C1816	ELECT. CAPACITOR	CEAS470M25	C753	CERAMIC CAPACITOR	CKCYF103Z50	C906 ELECT. CAPACITOR					
C1817	ELECT. CAPACITOR	CEAS221M16	C754	ELECT. CAPACITOR	CEAS101M25	C907 ELECT. CAPACITOR					
C1819	ELECT. CAPACITOR	CEAS221M10	C755	CERAMIC CAPACITOR	CKCYF103Z50	C908 CAPACITOR					
C1820	AUDIO FILM CAPACITOR	CFTXA333J50	C801, 802	ELECT. CAPACITOR	CEAS4R7M50	C909 ELECT. CAPACITOR					
C1821	PLASTIC FILM CAPACITOR	CQMA152J50	C803, 804	ELECT. CAPACITOR	CEAS471M16	C910 CERAMIC CAPACITOR					
C1822	AUDIO FILM CAPACITOR	CFTXA333J50	C806	ELECT. CAPACITOR	CEAS470M25	C911 ELECT. CAPACITOR					
C1823	ELECT. CAPACITOR	CEAS010M50	C809, 810	ELECT. CAPACITOR	CEAS101M25	C951, 952 CERAMIC CAPACITOR					
C1825	ELECT. CAPACITOR	CEAS2R2M50	C811, 812	CERAMIC CAPACITOR	CKCYF47Z50	C953, 954 AUDIO FILM CAPACITOR					
C1826	ELECT. CAPACITOR	CEAS100M50	RESISTORS			C955, 956 ELECT. CAPACITOR					
C1830	PLASTIC FILM CAPACITOR	CQMA681J50	R417	RESISTOR (150Ω, 5W)	ACN7002	C957, 958 ELECT. CAPACITOR					
C1831-1833	ELECT. CAPACITOR	CEAS100M50	R431	METAL OXIDE RESISTOR	RS2LMF101J	C959, 960 ELECT. CAPACITOR					
C1834	ELECT. CAPACITOR	CEAS470M25	R433	METAL OXIDE RESISTOR	RS2LMF151J	C961, 962 AUDIO FILM CAPACITOR					
C1835, 1836	AUDIO FILM CAPACITOR	CFTXA104J50	R439	CARBON FILM RESISTOR	RD1:2PM470J	C963, 964 AUDIO FILM CAPACITOR					
C1837	ELECT. CAPACITOR	CEASR47M50	R440	CARBON FILM RESISTOR	RD1:2PM560J	C965 ELECT. CAPACITOR					
C1838	ELECT. CAPACITOR	CEANL4R7M50	R441	RESISTOR (2.2MΩ, 1/2W)	ACN-208	C966 ELECT. CAPACITOR					
C1839	ELECT. CAPACITOR	CEANL4R7M50	R447, 448	METAL OXIDE RESISTOR	RS2LMF331J	C967 ELECT. CAPACITOR					
C1840	ELECT. CAPACITOR	CEANL4R7M50	R494	CARBON FILM RESISTOR	RD1:2PMF820J	C968 ELECT. CAPACITOR					
C1841	ELECT. CAPACITOR	CEASR15M50	R807	CARBON FILM RESISTOR	RD1:2PM271J	C993 CERAMIC CAPACITOR					
C1842	ELECT. CAPACITOR	CEANL2R3M50	OTHERS			C994 CERAMIC CAPACITOR					
C1843	AUDIO FILM CAPACITOR	CFTXA154J50	AKT1080	CABLE HOLDER (7P)	AKT1080	C966 ELECT. CAPACITOR					
C1844	PLASTIC FILM CAPACITOR	CQMA222J50	AKT1085	CABLE HOLDER (12P)	AKT1085	C967 ELECT. CAPACITOR					
C1845	PLASTIC FILM CAPACITOR	CQMA473J50	AKT1079	CABLE HOLDER (6P)	AKT1079	C968 ELECT. CAPACITOR					
C1846	ELECT. CAPACITOR	CEAS221M16	AKT1007	CABLE HOLDER	AKT1007	C993 CERAMIC CAPACITOR					
C1847-1850	ELECT. CAPACITOR	CEAS100M50	AKP1060	AC SOCKET 1-P	AKP1060	C994 CERAMIC CAPACITOR					
C1851	ELECT. CAPACITOR	CEAS221M16	CN401	SPEAKER TERMINAL 6-P	AKE7005	C966 ELECT. CAPACITOR					
C1852, 1853	ELECT. CAPACITOR	CEAS100M50	CN402	CONNECTOR (7P)	KPE7	C968 ELECT. CAPACITOR					
C1854, 1855	AUDIO FILM CAPACITOR	CFTXA104J50				C993 CERAMIC CAPACITOR					
C1856	ELECT. CAPACITOR	CEASR47M50				C994 CERAMIC CAPACITOR					
CN404	2P PIN JACK	AKB7001	CN407	JACK	AKN1006	C966 ELECT. CAPACITOR					
CN420	40P SOCKET	AKP1085	CN421	SPEAKER TERMINAL 8-P	AKET006	C967 ELECT. CAPACITOR					
CN701	14P PLUG	KM200LA14	CN702	PIN JACK (12P)	AKB7004	C993 CERAMIC CAPACITOR					
CN703	6P PIN JACK (TAPE2)	AKB7003	CN805	15P PLUG	53290-1510	C966 ELECT. CAPACITOR					
X1801	CERAMIC RESONATOR	ASS1015	VOL. ASSY			C968 ELECT. CAPACITOR					
SEMICONDUCTORS			IC601 OP-AMP IC			NJM4558D-D					
			IC602 OP-AMP IC			NJM4558LD					
			IC603 OP-AMP IC			NJM4558D-D					
			IC604 MECHANISM DRIVER IC			TA84095					
			Q602-605 TRANSISTOR			25C2878					
			D601, 602 DIODE			1SS252					
			D603 ZENER DIODE			MTZJ5.1B					
CAPACITORS			C617 ELECT. CAPACITOR			CEASR47M50					
			C618 ELECT. CAPACITOR			CEANP101M10					
			C619 ELECT. CAPACITOR			CEAS101M25					
			C626 CERAMIC CAPACITOR			CKCYF47Z50					
			C631-638 ELECT. CAPACITOR			CEAS100M50					
RESISTORS			VR601 VARIABLE RESISTOR			ACX7005					
			Other Resistors			RD1:8PM□□□□					
OTHERS			CN604 CABLE HOLDER			AKT1012					
			15P SOCKET			52418-1510					
TRANS ASSY			OTHERS			CABLE HOLDER (6P)					
						AKT1079					
REG. ASSY			SEMICONDUCTORS			IC451, 452 REGULATOR IC					
						IC453 REGULATOR IC					
						Q410 TRANSISTOR					
						Q411 TRANSISTOR					
						Q413 TRANSISTOR					
						Q424 TRANSISTOR					
						D409 ZENER DIODE					
						D410 ZENER DIODE					
CAPACITORS			C450 CERAMIC CAPACITOR			CKCYF102Z50					
			C451 ELECT. CAPACITOR			CEAS101M25					
			C452 CERAMIC CAPACITOR			CKCYF102Z50					
			C453 ELECT. CAPACITOR			CEAS101M25					
			C454 CERAMIC CAPACITOR			CKCYF102Z50					
			C455 ELECT. CAPACITOR			CEAS101M25					
			C456 CERAMIC CAPACITOR			CKCYF102Z50					
RESISTORS			R426 METAL OXIDE RESISTOR			RS2LMF222J					
			R421 CARBON FILM RESISTOR			RD1:4PMF3R2J					
			R422, 423 METAL OXIDE RESISTOR			RS2LMF330J					
			R430 METAL OXIDE RESISTOR			RS2LMF821J					
			R435 METAL OXIDE RESISTOR			RS1LMF4R7J					

Mark No.	Description	Parts No.
RESISTORS		
VR951, 952	VARIABLE RESISTOR	ACS106
VR953	VARIABLE RESISTOR (500K - X1)	ACS1016
R912 - 916	CARBON FILM RESISTOR	RD1/2PM332J
R989, 990	CARBON FILM RESISTOR	RD1/2PM332J
	Other Resistors	RD1/8PM□□□□
OTHERS		
CN901	REMOTE RECEIVER UNIT	AXX1023
V901	40P SOCKET	AKP1087
Y901	FL TUBE	AAV7013
X901	CERAMIC RESONATOR	ASS1015
H. P. ASSY		
OTHERS		
	JACK CABLE HOLDER (3P)	AKN7001 AKT1076
AMP ASSY		
SEMICONDUCTORS		
IC301	IC	UPC4570C
Q301, 302	TRANSISTOR	2SC2705
Q303 - 306	TRANSISTOR	2SA1145
Q307, 308	TRANSISTOR	2SC2705
Q381, 382	TRANSISTOR	2SC2240
D301 - 308	DIODE	1SS252
D309 - 312	ZENER DIODE	MTZJ3.3
D381 - 386	DIODE	1SS252
CAPACITORS		
C301, 302	ELECT. CAPACITOR	CEA52R2M50
C303, 304	CERAMIC CAPACITOR	CKCYB471K50
C305, 306	ELECT. CAPACITOR	CEAS101M50
C307 - 310	CERAMIC CAPACITOR	CCCSL151K500
C311, C312	ELECT. CAPACITOR	CEAS2R2M50
C317 - 320	AUDIO FILM CAPACITOR	CPTXA104J50
C381, 382	ELECT. CAPACITOR	CEAS2R2M50
C383, 384	ELECT. CAPACITOR	CEAS101M25
C385	CKA (0.01μF/AC250V)	ACG1005
RESISTORS		
R313 - 316	CARBON FILM RESISTOR	RD1/4PMF270J
R321 - 324	CARBON FILM RESISTOR	RD1/4PMF311J
R329 - 332	CARBON FILM RESISTOR	RD1/4PMF680J
R333, 334	CARBON FILM RESISTOR	RD1/2PM1392J
R347 - 350	FUSIBLE RESISTOR	RF1/4PS4R7J
R351 - 354	FUSIBLE RESISTOR	RF1/4PS470J
R355 - 358	CARBON FILM RESISTOR	RD1/4PMF151J
R363 - 366	FUSIBLE RESISTOR	RF1/4PS4R7J
R369, 370	RESISTOR (0.33Ω, 5W)	ACN7001
R371, 372	METAL OXIDE RESISTOR	RS2LMF100J
R381 - 384	CARBON FILM RESISTOR	RD1/4PMF222J
R395, 396	CARBON FILM RESISTOR	RD1/4PMF101J
R397	METAL OXIDE RESISTOR	RS2LMF104J
R399	FUSIBLE RESISTOR	RF1/4PS4R7J
	Other Resistors	RD1/8PM□□□□
OTHERS		
△ TH1	CABLE HOLDER (8P) THERMISTOR	AKT1081 150 - 201 - 73002

Mark No.	Description	Parts No.
AMP ASSY 200W		
SEMICONDUCTORS		
IC201	IC	UPC4570C
Q201, 202	TRANSISTOR	2SC2705
Q203 - 206	TRANSISTOR	2SA1145
Q207, 208	TRANSISTOR	2SC2705
Q211, 212	TRANSISTOR	2SC2705
Q213, 214	TRANSISTOR	2SA1145
Q281, 282	TRANSISTOR	2SC2240
D201 - 208	DIODE	1SS252
D209 - 212	ZENER DIODE	MTZJ3.3
D213, 214	DIODE	1SS252
D215 - 218	ZENER DIODE	MTZJ22D
D219, 220	DIODE	1SS252
D281 - 286	DIODE	1SS252
CAPACITORS		
C201, 202	ELECT. CAPACITOR	CEAS2R2M50
C203, 204	CERAMIC CAPACITOR	CKCYB471K50
C205, 206	ELECT. CAPACITOR	CEAS101M50
C207 - 210	CERAMIC CAPACITOR	CCCSL360K500
C211, 212	ELECT. CAPACITOR	CEAS2R2M50
C213 - 216	CERAMIC CAPACITOR	CCCSL151K500
C217 - 220	AUDIO FILM CAPACITOR	CPTXA104J50
C281, 282	ELECT. CAPACITOR	CEAS2R2M50
C283, 284	ELECT. CAPACITOR	CEAS101M25
C285	CKA (0.01μF/AC250V)	ACG1005
RESISTORS		
R211, 212	CARBON FILM RESISTOR	RD1/4PMF821J
R213 - 216	CARBON FILM RESISTOR	RD1/4PMF270J
R221 - 224	CARBON FILM RESISTOR	RD1/4PMF102J
R229 - 232	CARBON FILM RESISTOR	RD1/4PMF680J
R233, 234	CARBON FILM RESISTOR	RD1/2PM562J
R235, 236	METAL FILM RESISTOR	RN1/4PC3001F
R237, 238	METAL FILM RESISTOR	RN1/4PC8200F
R239 - 242	FUSIBLE RESISTOR	RF1/4PS101J
R243 - 246	CARBON FILM RESISTOR	RD1/4PMF271J
R247 - 250	FUSIBLE RESISTOR	RF1/4PS4R7J
R251 - 254	CARBON FILM RESISTOR	RD1/4PMF470J
R255 - 258	CARBON FILM RESISTOR	RD1/4PMF151J
R259 - 266	FUSIBLE RESISTOR	RF1/4PS4R7J
R267 - 270	RESISTOR (0.33Ω, 5W)	ACN7001
R271, 272	METAL OXIDE RESISTOR	RS2LMF100J
R281 - 288	CARBON FILM RESISTOR	RD1/4PMFL222J
R295, 296	CARBON FILM RESISTOR	RD1/4PMF101J
	Other Resistors	RD1/8PM□□□□
OTHERS		
CN201	CABLE HOLDER (8P)	AKT1081
CN203	CONNECTOR (6P)	KPE5
CN204, 205	CONNECTOR (4P)	KPE4
	4P PLUG	KM2001A4

6. ADJUSTMENTS

ADJUSTMENT OF FM TUNER SECTION

- Set the FM/AM selector to FM BAND.
- Connect the wiring as shown in Fig. 1-1.

Step No.	Adjustment Title	FM SG (1kHz, ±75kHz dev.)		Reception Frequency Display	Adjustment Location	Specifications
		Frequency (MHz)	Level (dBμV)			
1	Center Adjustment	98	80	98.0 MHz	L6207	Adjust so that the DC voltage between IC6201-Pin 4 and Pin 28 (or ⊖ leads of C6224 and C6261) becomes 0V ± 50mV.
2	Front-end Sensitivity Adjustment	98	Low input (0 to 30)	98 MHz	L6102 T6101	Adjust so that the DC voltage between IC6201-Pin 12 and GND (or ⊖ leads of C6238 and GND) becomes at maximum level.
3	Stereo Distortion	98	80	98 MHz	T6101	Minimize the distortion with 1/8 rotation of the core.
4	TUNED IND. Lighting Level	98	15 (± 2 dB)	98.0 MHz	VR6201	Adjust so that the indicator of TUNED IND. starts to light up.

Notes:

- Before adjusting, make sure there is no gap between L6101 and L6102. If there is a gap between them, bring them into contact with each other first, and then make adjustments.
- Make indicator adjustments in order of AM → FM.
- Adjustment sequence: L6102 T6101

ADJUSTMENT OF MW TUNER SECTION

- Set the FM/AM selector to AM (MW) BAND.
- Connect the wiring as shown in Fig. 1-1.

Step No.	Adjustment Title	AM SG (400Hz, 30% Mod.)		Reception Frequency Display	Adjustment Location	Specifications
		Frequency (kHz)	Level (dBμV/m)			
1	TUNED IND. Lighting Level	999*1	47 (± 2dB)	999 kHz*1	VR6202	Adjust so that the indicator of TUNED IND. starts to light up.

*1: For the area using 10 kHz step, frequencies should be 1000 kHz.

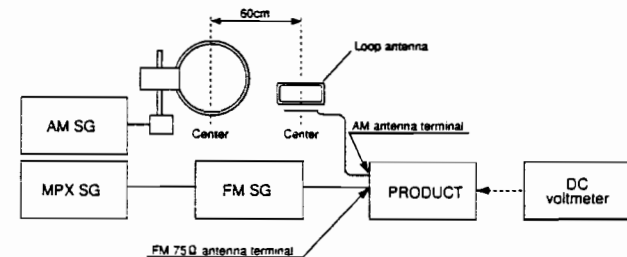


Fig. 1-1 AM and FM Adjustment Wiring Diagram

VSX-504S, VSX-464S, VSX-454

FM/AM TUNER MODULE

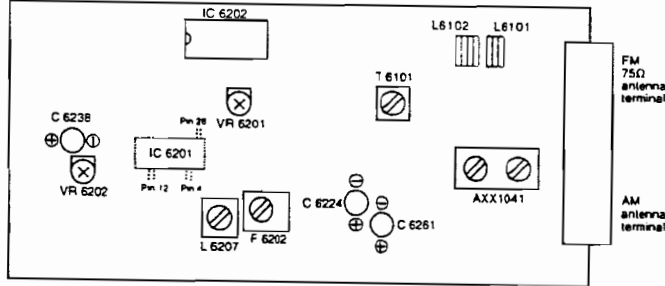


Fig. 1-2 Adjustment Points

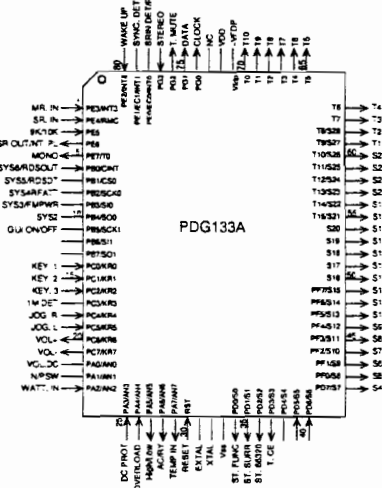
VSX-504S, VSX-464S, VSX-454

7. IC INFORMATION

- The information shown in the list is basic information and may not correspond exactly to that shown in the schematic diagrams.

■ PDG133A (IC902: FL AND UCOM ASSY)

- System Micro-computer
- Pin Assignment (Top View)



● Pin Function

No.	Pin Name	I/O	Description	Act.
1	MR IN PE3/INT3	I	Remote control signal input from Multi-room	H
2	SR IN PE4/RMC	I	Remote control signal input	H
3	9k/10k PE5	I	Switching destination (9k/10k) H: 10k, L: 9k	-
4	SR OUT/NT. PL PE6	O	Remote control signal output	-
5	MONO PE7/T0	O	TUNER: Execution MONO output	H
6	TUNED PB0/CLNT	I	TUNER: TUNED input	L
7	SYS6/RDSOUT PB1/CS0	-	-	-
8	SYS3/RSDSDT PB2/SCR0	-	-	-
9	SYS4/RFATT PB3/S10	-	-	-
10	SYS3/FMPWR PB4/S00	-	-	-

No.	Pin Name	I/O	Description	Act.
11	SYS2/ PB5/SCK1	-	-	-
12	GUI ON/OFF PB6/S11	-	-	-
13	PB7/S01	-	-	-
14	KEY. 1 PC0/KR0	I	KEY SCAN input: 1	-
15	KEY. 2 PC1/KR1	I	KEY SCAN input: 2	-
16	KEY. 3 PC2/KR2	I	KEY SCAN input: 3	-
17	1M DET PC3/KR3	-	-	-
18	JOG. R PC4/KR4	I	JOG input UP: JOG1 DOWN: JOG2	-
19	JOG. L PC5/KR5	I	JOG input UP: JOG1 DOWN: JOG2	-
20	VOL - PC6/KR6	O	MASTER VOLUME UP output	H
21	VOL - PC7/KR7	O	MASTER VOLUME DOWN output	H
22	VOL. DC PA0/AN0	-	-	-
23	N/PSW PA1/AN1	-	-	-
24	WATT. IN PA2/AN2	I	WATT input (A/D) for fan	-
25	DC PROT PA3/AN3	I	DC input (A/D) for protection	-
26	OVERLOAD PA4/AN4	I	OVER/LOAD input (A/D) for protection	-
27	High/Low PA5/AN5	O	Switching fan rotation L: High, H: Low	-
28	AC/R PA6/AN6	O	POWER relay ON/OFF	H
29	TEMP IN PA7/AN7	O	TEMP input (A/D) for fan	-
30	RESET RST	I	RESET input	L
31	EXTAL	-	Oscillator (8MHz)	-
32	XTAL	-	-	-
33	Vss	-	GND	-
34	ST_FUNC PD0/S0	I	STROB output: for TC9163	H

9. DISASSEMBLY

CAUTION !

You will get an electric shock if you touch the Radiator (Heat-sink) when the power cord is connected to the power source. Also, the Electrolytic Capacitor contains a charge even when the power cord is unplugged, so the charge must be removed when the bonnet has been taken off.

< Removing the Charge >

- ① Connect the Radiator (top side) and either the Chassis or the Rear panel for 2 to 3 seconds with a Resistor of more than 5W/10Ω.
- ② Connect the +B lead on the J2 and either the Chassis or the Rear panel for 2 to 3 seconds with a Resistor of more than 5W/10Ω.

9.1 PS AND FUNC ASSY

1. Remove the Bonnet case.
2. Remove the two screws ①.
3. Remove the screw ②.
4. Remove the four screws ③ holding the PS AND FUNC assy.
5. Remove the Round knob L and remove the screw ④ between the volume and the front panel.
6. Remove the VOL assy from the PS AND FUNC assy.
7. Remove the rear panel, and power block from the chassis at the same time, according to the Fig. 1

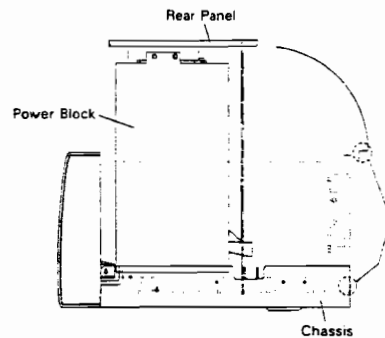
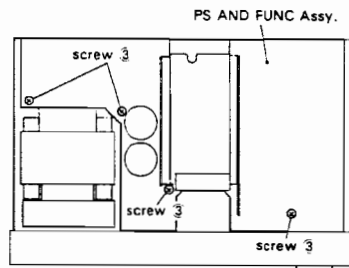
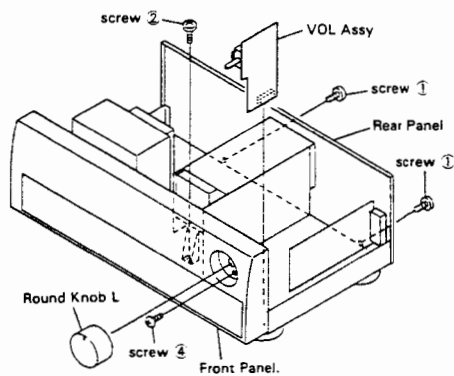
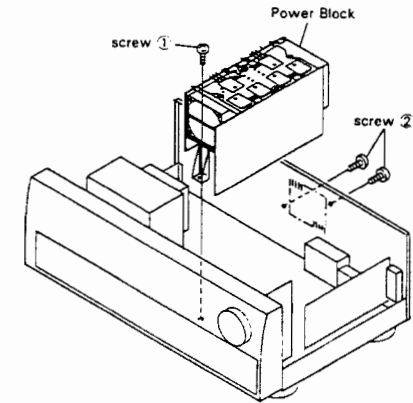


Fig. 1

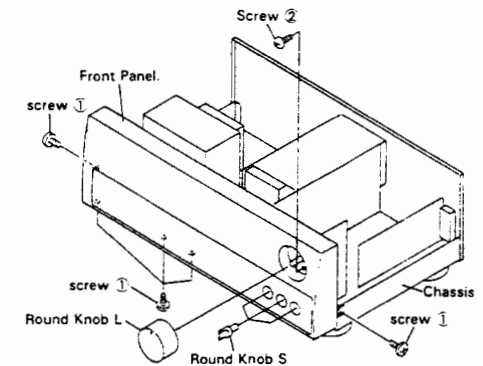
9.2 POWER BLOCK

1. Remove the Bonnet case.
2. Remove the screw ①.
3. Remove the two screws ②.



9.3 FL AND UCOM ASSY

1. Remove the Bonnet case.
2. Remove the five screws ①.
3. Remove the Round knob L and remove the screw ② between the volume and the front panel.
4. Remove the front panel from the chassis (watching out for the claw on the front panel bottom).
5. Remove the three round knob S (BASS, TREBLE, BALANCE).
6. Remove the screws in Fig. 2 and remove the FL AND UCOM assy.



<Location of the FL AND UCOM assy Fixing Screws >

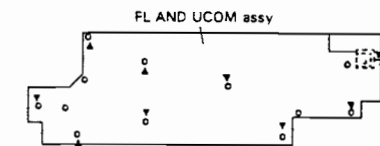


Fig. 2

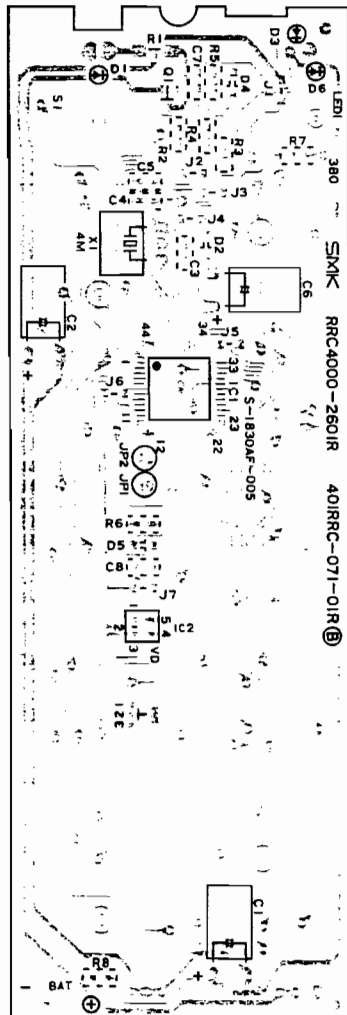
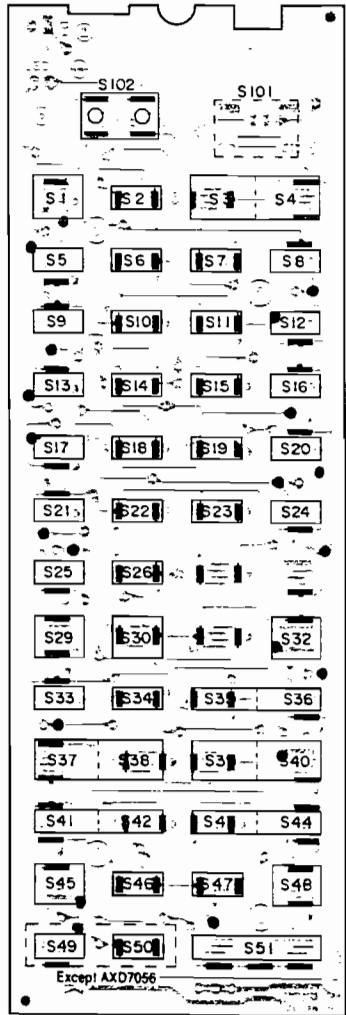
Points where the PCB Mold (AMR2533) is attached to the chassis: 7 points stamped on the chassis as Nos. 0, 1, 2, 3, 4, 7, and 10.

VSX-504S, VSX-464S, VSX-454

10.3 PCB PATTERN

PCB-6

- ⊠ : Indicates a chip resistor.
- ⊡ : Indicates a chip capacitor.
- ⊣ : Indicates a chip transistor.
- ⊕ : Indicates a chip diode.



10.4 SCHEMATIC DIAGRAM

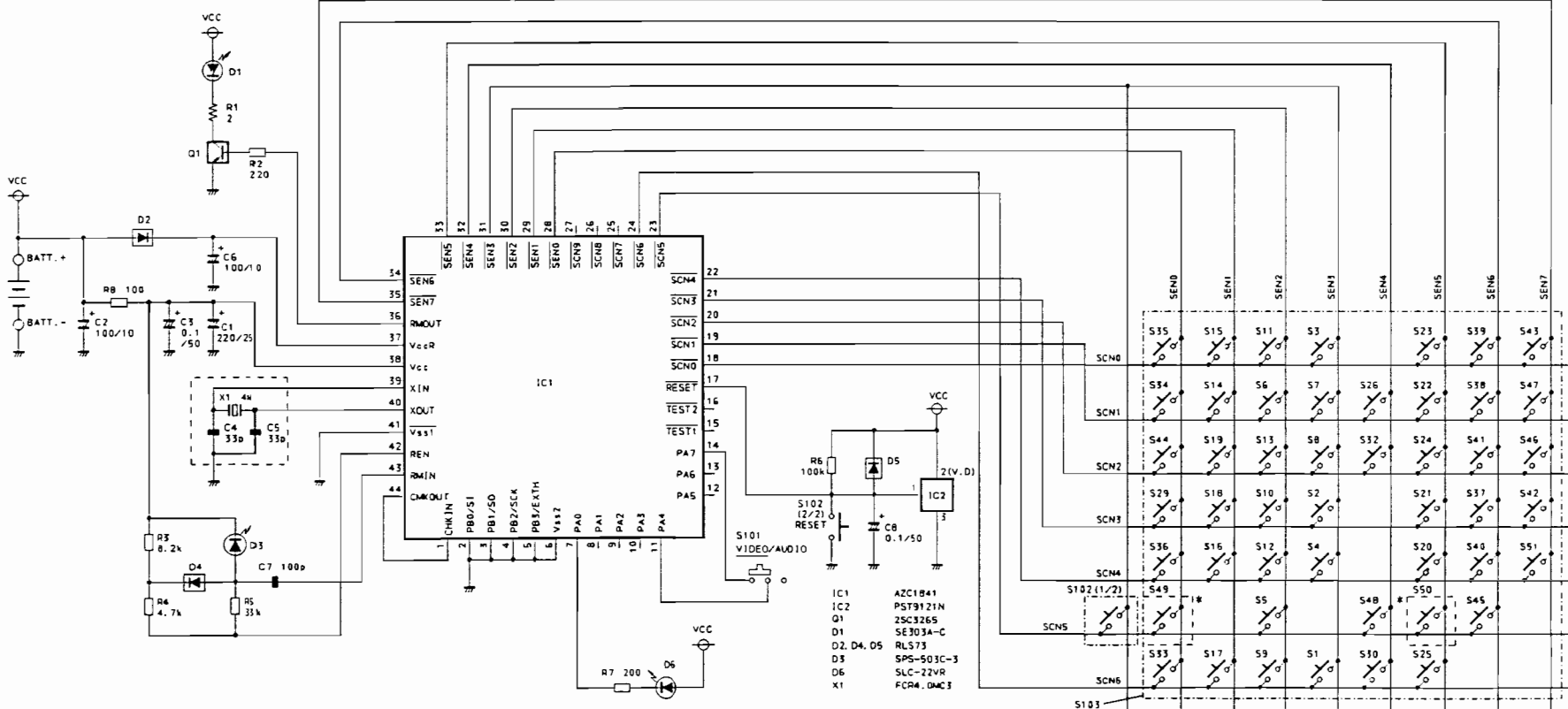
NOTE FOR SCHEMATIC DIAGRAMS (Type 2A)

- When ordering service parts, be sure to refer to "PARTS LIST of EXPLODED VIEWS" or "PCB PARTS LIST".**
- Since these are basic circuits, some parts of them or the values of some components may be changed for improvement.
- RESISTORS:**
Unit: k: kΩ, M: MΩ, or Ω unless otherwise noted.
Rated power: 1/4W, 1/8W, 1/8W, 1/10W unless otherwise noted.
Tolerance: (F): ±1%, (G): ±2%, (K): ±10%, (M): ±20% or ±5% unless otherwise noted.
- CAPACITORS:**
Unit: p: pF or μF unless otherwise noted.
Ratings: capacitor (μF)/voltage (V) unless otherwise noted.
Rated voltage: 50V except for electrolytic capacitors.
- COILS:**
Unit: m: mH or μH unless otherwise noted.
- VOLTAGE AND CURRENT:**
□ or - V : DC voltage (V) at no input signal unless otherwise noted.
○ mA or - mA : DC current at no input signal unless otherwise noted.
- OTHERS:**
 - ⊙ or ○ : Adjusting point.
 - : Measurement point.
 - The Δ mark found on some component parts indicates the importance of the safety factor of the parts. Therefore, when replacing, be sure to use parts of identical designation.
- SCH-□ ON THE SCHEMATIC DIAGRAM:**
□ SCH-□ indicates the drawing number of the schematic diagram. (SCH stands for schematic diagram.)
- SWITCHES (Underline indicates switch position):**

NOTE

- Indicates a chip resistor.
- Indicates a chip capacitor.
- Indicates a chip transistor.
- Indicates a chip diode.

- S101 AUDIO/VIDEO
- S102 LEARN/RESET
- S1 RECEIVER POWER
- S2 MUTING
- S3 MASTER VOLUME -
- S4 MASTER VOLUME +
- S5 TV POWER
- S6 1
- S7 2
- S8 3
- S9 BAND TV FUNC
- S10 4
- S11 5
- S12 6
- S13 0/10
- S14 7
- S15 8
- S16 9
- S17 FREQUENCY TV VOLUME -
- S18 FREQUENCY TV VOLUME +
- S19 STATION TV CHANNEL -
- S20 STATION TV CHANNEL +
- S21 SURR MODE
- S22 3CH LOGIC
- S23 TEST TONE
- S24 CENTER MODE (DELAY TIME)
- S25 CENTER LEVEL REAR LEVEL -
- S26 CENTER LEVEL REAR LEVEL +
- S29 FRAGMENT
- S10 TAPE2 MONITOR
- S12 SLEEP RETURN
- S13 DISC SELECT - (DISC SIDE A)
- S14 DISC SELECT + (DISC SIDE B)
- S15 DECK I (VCR CH -)
- S16 DECK II (VCR CH +)
- S17 CD/LD
- S18 TAPE/VCR
- S19 CD/LD
- S40 TAPE/VCR
- S41 CD/LD
- S42 TAPE/VCR
- S43 TAPE/VCR
- S44 POWER
- S45 CD/LD
- S46 TAPE/VCR
- S47 TAPE/VCR
- S48 POWER
- S49 ASC1
- S50 ASC2
- S51 TAPE SELECT TV/VCR



- IC1 AZC1B41
- IC2 PST9121N
- Q1 2SC3265
- D1 SE3034-C
- D2, D4, D5 RLS73
- D3 SPS-503C-3
- D6 SLC-22VR
- X1 FCR4, DMC3

Note: * Except AXD7056

SCH-8

SCHEMATIC DIAGRAM (AXD7045, AXD7056)

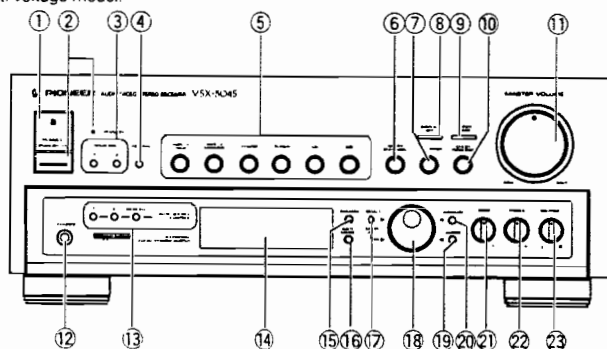
SCHEMATIC DIAGRAM (AXD7045, AXD7056)

SCH-8

11. PANEL FACILITIES

FRONT PANEL FACILITIES (For VSX-504S)

Illustration shows multi-voltage model.



① Remote sensor

② POWER STANDBY/ON switch

STANDBY indicator (Multi-voltage model only)

This is the switch for electric power.

ON : When set to the ON position, power is supplied and the unit becomes operational.

STANDBY: When set to the STANDBY position, the main power flow is cut and the unit is no longer fully operational. A minute flow of power feeds the unit to maintain operation readiness.

(Multi-voltage model only)

The STANDBY indicator lights when the power is set to STANDBY, and goes out when set to ON.

(Timer ON/OFF possible)

When the unit is switched ON, ON/OFF control can be performed by means of the optional timer.

NOTE:

When the power is initially turned ON, muting will be applied to prevent sound from being output for about 5 seconds.

③ SPEAKERS buttons (A,B)

ON/OFF switches for the A and B speaker systems.

④ RETURN button

Press this button to return the receiver to its initial state. TUNER is selected at this initial state. Adjust the sound level by using the MASTER VOLUME control.

TAPE 2 MONITOR OFF MUTING OFF
SFC MODE OFF FUNCTION TUNER
SUPER BASS OFF

And SPEAKERS buttons switch as follows.

Before pressing the RETURN button	After pressing
Both A and B are off	→ Only A is on
Only A is on	→ No change
Only B is on	→ Both A and B are on
Both A and B are on	→ No change

NOTE:

Press the RETURN button, and the frequency last selected is received. If reception of the frequency last selected is not possible, the mode automatically switches to AUTO TUNING.

⑤ Input selector buttons

TAPE 1/VCR

: Press when performing playback on a VCR unit or cassette deck.

TAPE 2 MONITOR

: Press when performing playback on a second cassette deck and when monitoring recording.

PHONO : Press when playing records on a turntable.

TUNER : Press when listening to radio broadcasts.

LD : Press when performing playback on an LD player.

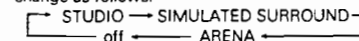
CD : Press when playing compact discs on a CD player.

⑥ DOLBY 3CH LOGIC button

Select this setting when stereo-source regeneration and rear speakers are not connected and you wish to use the front L, front R, and center speakers to enjoy audio/visual material bearing the **DOLBY SURROUND** mark.

⑦ SFC MODE button

Each time you press it, the mode and the display indications change as follows.



⑧ DISPLAY OFF button

This switches the display OFF.

⑨ SUPER BASS button

Press this button when you want to boost the bass.

⑩ DOLBY PRO-LOGIC button

Switches DOLBY PRO-LOGIC SURROUND on and off.

⑪ MASTER VOLUME control

Use it to simultaneously adjust the sound volume from the front, center, and rear speakers.

⑫ PHONES jack

Connect the plug on your headphones to this jack. Set SPEAKERS A and B switches to OFF if you want to cut the sound from the speakers and listen to it only through the headphones.

⑬ AUTO SOURCE CONTROL buttons

1, 2 buttons:

These buttons are for memorizing and recalling your current settings. Both 1 and 2 can be used to memorize settings. If you connect another component, such as a CD player, to the CONTROL OUT jack on the rear panel, the signals to switch power on and start play are also transmitted.

MEMORY:

Use when memorizing settings to a 1, 2 button.

⑭ Display section

⑮ FM/AM button

Use this to switch between FM and AM frequency band reception.

⑯ MPX MODE button

Use to select the auto stereo mode or monaural mode when listening to FM broadcasts. The monaural mode has been selected when the MONO indicator in the display section is lit.

Auto stereo mode

Normally, leave in this mode for reception. When a stereo FM broadcast is received, it will be automatically reproduced in stereo.

Monaural mode

When receiving distant stations or stations with weak broadcast signals, the input signal may be weak, thus resulting in increased noise during FM stereo broadcasts. In this event, setting the receiver to the monaural mode will reduce the noise. In this case, however, FM stereo broadcasts will be reproduced in monaural sound.

NOTE:

This button has no effect on reception of AM broadcasts.

⑰ SELECT button

Press this button to switch to the station mode. Then you can turn the MULTI-JOG to select a station. When in the Frequency mode, tuning the MULTI-JOG raises or lowers the frequency.

⑱ MULTI-JOG

Use during tuner operation to select frequencies and station numbers.

⑲ ENTER button

Press this button when you are in the frequency preset mode, and the displayed frequency is memorized in the selected station. (Station indications stop flashing and stay lit.)

⑳ MEMORY button

Press this button to switch to the frequency preset mode.

㉑ BASS control

Use to adjust the low-frequency level. Turn clockwise to boost bass, and counterclockwise to attenuate bass.

㉒ TREBLE control

Use to adjust the high-frequency level. Turn clockwise to boost treble, and counterclockwise to attenuate treble.

㉓ BALANCE control

Use to adjust the sound volume balance between left and right speakers.

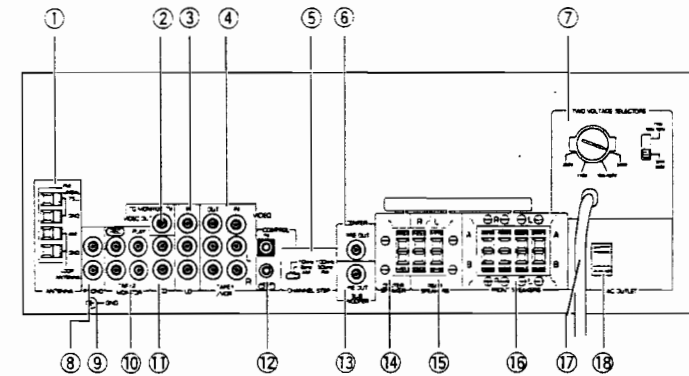
L: Decreases the sound on the right side.

R: Decreases the sound on the left side.

Usually, left and right volume levels should be the same.

REAR PANEL FACILITIES (For VSX-504S)

Illustration shows Multi-voltage model.



① FM/AM ANTENNA terminals

Use these antenna terminals for reception of normal FM and AM broadcasts.

② VIDEO OUT (TO MONITOR TV) jack

Connect to a monitor TV or to TV sets with video input terminals to watch program materials from a VCR or LD player connected to this unit.

③ LD input jacks

Connect to an LD player's output jacks (audio, video).

④ TAPE 1/VCR jacks

Connect to the first cassette deck or a VCR. With a VCR, also connect the video jacks.

**⑤ CHANNEL STEP switch
(Multi-voltage model only)**

⑥ CENTER PRE OUT jack

When a separate power amplifier is used to drive the surround center speaker, connect the power amplifier to this jack.

**⑦ TWO VOLTAGE SELECTORS switches
(Multi-voltage model only)**

⑧ PHONO input jacks

Connect to the output cables from a turntable.

⑨ GND terminal

Connect the turntable ground lead to this terminal.

⑩ TAPE 2 MONITOR jacks

Connect to audio components such as a second cassette deck or a graphic equalizer.

⑪ CD input jacks

Connect to the output jacks of a compact disc player.

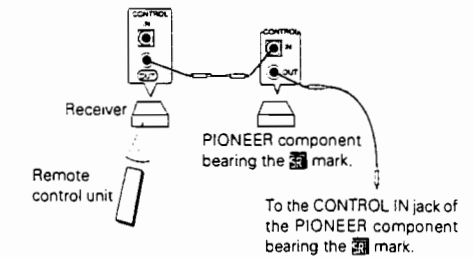
⑫ CONTROL IN/OUT jacks

IN :Connect this jack to other Pioneer components when using those components to control this unit.

OUT :Connect this jack to other Pioneer components when using the remote control of this unit to control the other components.

NOTE :

The receiver's remote sensor does not function when a plug is inserted in the IN jack. To operate, point the remote control unit at the remote sensor on the component to which the receiver's IN jack is connected.



13 SUB WOOFER PRE OUT jack

If you want to boost the low frequencies, connect to a subwoofer power amplifier.

14 CENTER SPEAKER terminals

Connect the center speaker to these terminals.

NOTE:

Do not allow any of the cord's conductors to protrude from the terminals or touch any other conductors. Malfunctions or breakdowns may occur when conductors come into contact with each other. Use a center speaker with an impedance of 8 Ω to 16 Ω.

15 REAR SPEAKERS terminals

Connect the rear speakers to these terminals.

NOTES:

- Do not allow any of the cord's conductors to protrude from the terminals or touch any other conductors. Malfunctions or breakdowns may occur when conductors come into contact with each other. Use rear speakers with an impedance of 8 Ω to 16 Ω.
- Be sure to connect two speakers (L, R). There will be no sound if only one speaker is connected.

16 FRONT SPEAKERS terminals

A :Connect to the first set of speakers.

B :Connect to the second set of speakers.

NOTE:

Do not allow any of the cord's conductors to protrude from the terminals or touch any other conductors. Malfunctions or breakdowns may occur when conductors come into contact with each other. Use front speakers with an impedance of 8 Ω to 16 Ω.

17 Power cord

18 AC OUTLET

(U.S. and Canadian models)
[SWITCHED 100 W (0.8 A) MAX]

Power supplied through this outlet is turned on and off by the receiver's POWER switch. Total electrical power consumption of connected equipment should not exceed 100 W (0.8 A).

(Multi-voltage model)
[SWITCHED 100 W MAX]

Power supplied through this outlet is turned on and off by the receiver's POWER switch. Total electrical power consumption of connected equipment should not exceed 100 W.

NOTES:

- This unit should be disconnected by removing the power plug from the wall socket when not in regular use, e.g. when on vacation.
- Do not connect appliances with high power consumption such as heaters, irons, or television sets to this AC OUTLET in order to avoid overheating and fire risk. This can cause the receiver to malfunction.

CAUTION:
DO NOT CONNECT MONITOR OR TV SET.

12. SPECIFICATIONS

For VSX-504S

Amplifier Section

Continuous average power output of 150 watts* per channel, min., at 8 ohms, from 20 Hz to 20,000 Hz with no more than 0.09 % total harmonic distortion (front).**

(Multi-voltage model only)
Continuous Power Output (DIN)
Front (1kHz, T.H.D. 1%, 8 Ω) 165 W+165 W

Continuous Power Output
Front 110 W + 110 W (1kHz, 0.8%, 8 Ω)
Center 110 W (1kHz, 0.8%, 8 Ω)
Rear 110W (1kHz, 0.8%, 8 Ω)

Dynamic Power (2 Ω /4 Ω/8 Ω) 350 W/280 W/180 W
Input (Sensitivity/Impedance)

PHONO MM 2.8 mV/47 kΩ
CD, TAPE 1/VCR, TAPE 2, LD 200 mV/47 kΩ
Phono Overload Level (T.H.D. 0.1%, 1 kHz)

PHONO MM 100 mV
Frequency Response

PHONO MM 20 Hz to 20,000 Hz ± 0.3 dB
CD, TAPE 1/VCR,
TAPE 2, LD 5 Hz to 100,000 Hz ± 3 dB

Output (Level/Impedance)
TAPE 1/VCR REC, TAPE 2 REC 200 mV/2.2 kΩ

Tone Control
BASS ± 8 dB (150 Hz)
TREBLE ± 8 dB (10 kHz)
SUPER BASS +8 dB (80 Hz)

Signal-to-Noise Ratio (IHF, short circuited, A network)
PHONO MM 76 dB
CD, TAPE 1/VCR, TAPE 2, LD 97 dB

Signal-to-Noise Ratio (EIA, at 1 W (1 kHz))
PHONO MM 77 dB
CD, TAPE 1/VCR, TAPE 2, LD 80 dB

PHONO MM 77 dB
CD, TAPE 1/VCR, TAPE 2, LD 80 dB

* Measured pursuant to the Federal Trade Commission's Trade Regulation rule on Power Output Claims for Amplifiers.
** Measured by Audio Spectrum Analyzer.

VIDEO Section

Input (Sensitivity/Impedance)
VCR, LD 1 Vp-p/75 Ω

Output (Level/Impedance)
VCR REC 1 Vp-p/75 Ω

Frequency Response
VCR, LD → MONITOR 5 Hz to 7 MHz ± 3 dB

Signal-to-Noise Ratio 55 dB
Cross Talk 55 dB

FM Tuner Section

Frequency Range 87.5 MHz to 108 MHz
Usable Sensitivity Mono:11.2 dBf, IHF (1.0 μV/75 Ω)
50 dB Quieting Sensitivity Mono: 16.8 dBf
Stereo: 38.6 dBf

Signal-to-Noise Ratio Mono: 73 dB (at 85 dBf)
Stereo: 70 dB (at 85 dBf)

Distortion Stereo: 0.5 % (1 kHz)
Alternate Channel Selectivity 60 dB (400 kHz)

Stereo Separation 40 dB (1 kHz)
Frequency Response 30 Hz to 15 kHz (± 1) dB

Antenna Input 75 Ω unbalanced

AM Tuner Section

Frequency Range 531 kHz to 1,602 kHz (9 kHz step)
530 kHz to 1,700 kHz (10 kHz step)

Sensitivity (IHF, Loop antenna) 350 μV/m
Selectivity 25 dB

Signal-to-Noise Ratio 50 dB
Antenna Loop antenna

Miscellaneous

Power Requirements

U.S. and Canadian models AC 120 V, 60 Hz
Multi-voltage model ... AC 110 V/120-127 V/220 V/240 V
(Switchable), 50/60 Hz

Power Consumption

U.S. and Canadian models 340W, 500VA
Multi-voltage model 905 W

In Standby Condition 3W
AC Outlets

U.S. and Canadian models
SWITCHED 100 W (0.8 A) MAX

Multi-voltage model
SWITCHED 100 W MAX

Dimensions 420 (W) X 155 (H) X 300 (D) mm
16-9/16 (W) X 6-1/8 (H) X 11-13/16 (D) in

Weight (without package) 9.5 kg (20 lb 15 oz)

Furnished Parts

- FM Antenna 1
- AM Loop Antenna 1
- Dry Cell Batteries [size "AAA" (IEC LR03/AM-4)] 2
- Remote Control Unit 1
- Operating Instructions 1

NOTE:

Specifications and the design are subject to possible modifications without notice, due to improvements.