



These robust IP rated standalone keypads are designed to operate in both internal and external environments.

EX5 Keypads include backlit metallic or plastic keys with a choice of plastic or metal housings (surface or flush).

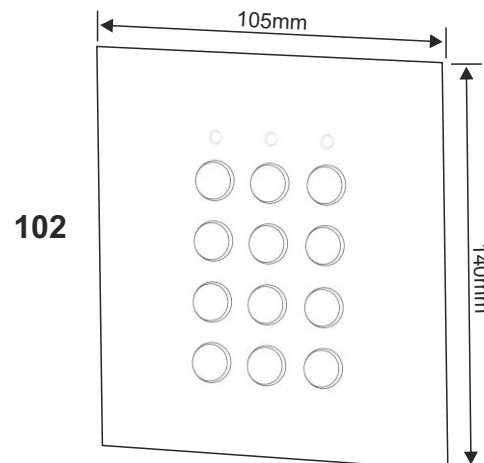
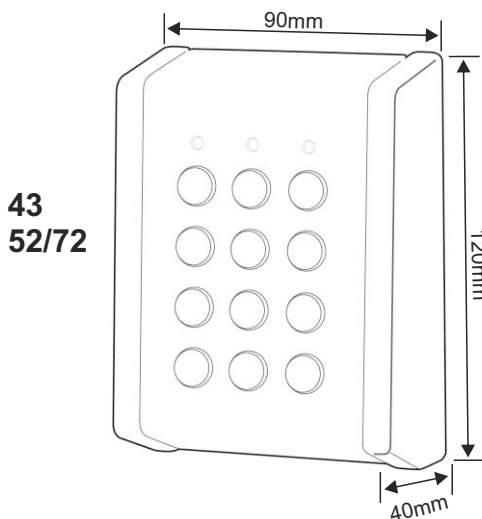
They incorporate an easy to follow programming menu allowing up to 99 unique codes and the setting of relay output times. The units also include inputs to trigger the relay from a push to exit button.

Both audible and visual indication is standard indicating that a code is correct or incorrect while also helping to navigate through the programming menu.

## Technical Characteristics

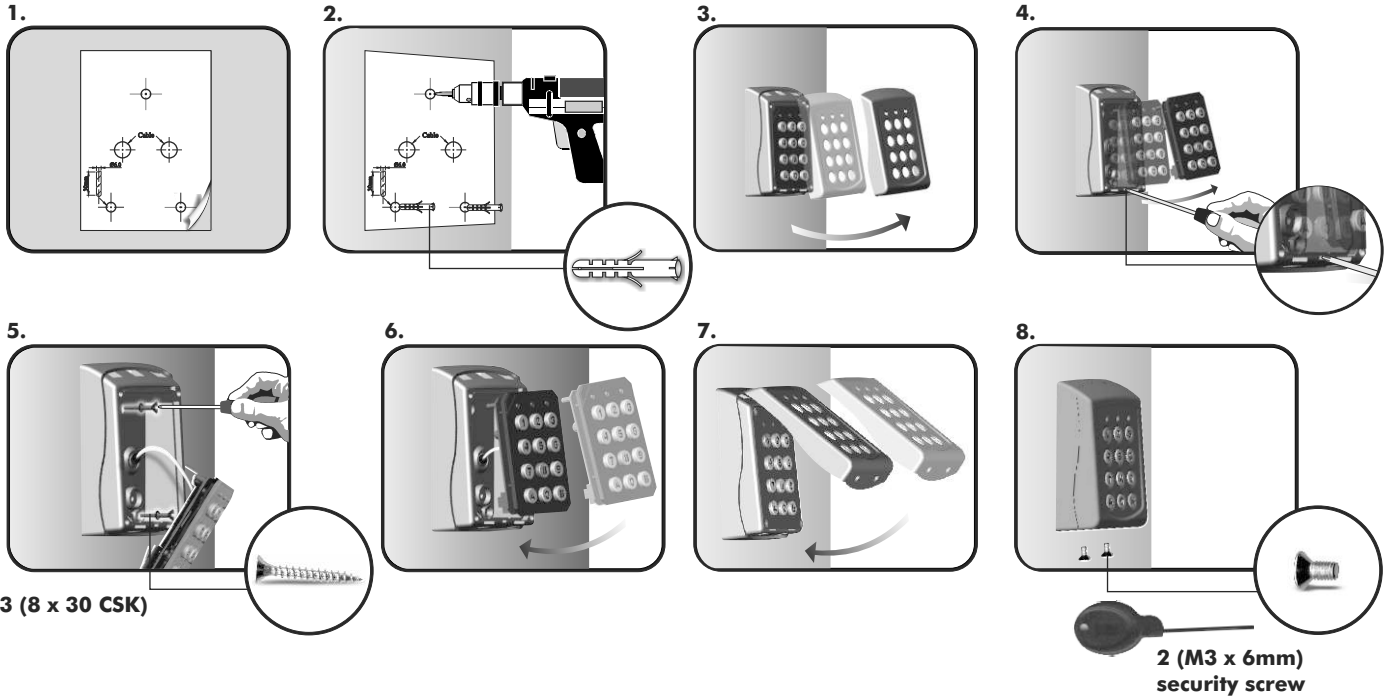
Codes:	99 User Codes (1 - 8 digits)
Relays:	2 Relays - R1: (10A @ 24v DC / 120v AC) R2: (2A @ 24v AC/DC)
Relay Time:	1 - 99 Seconds or latching (00)
IP Rating	IP65
Power:	12/24v AC/DC
Current:	Standby 30mA / Maximum 130mA

## Dimensions

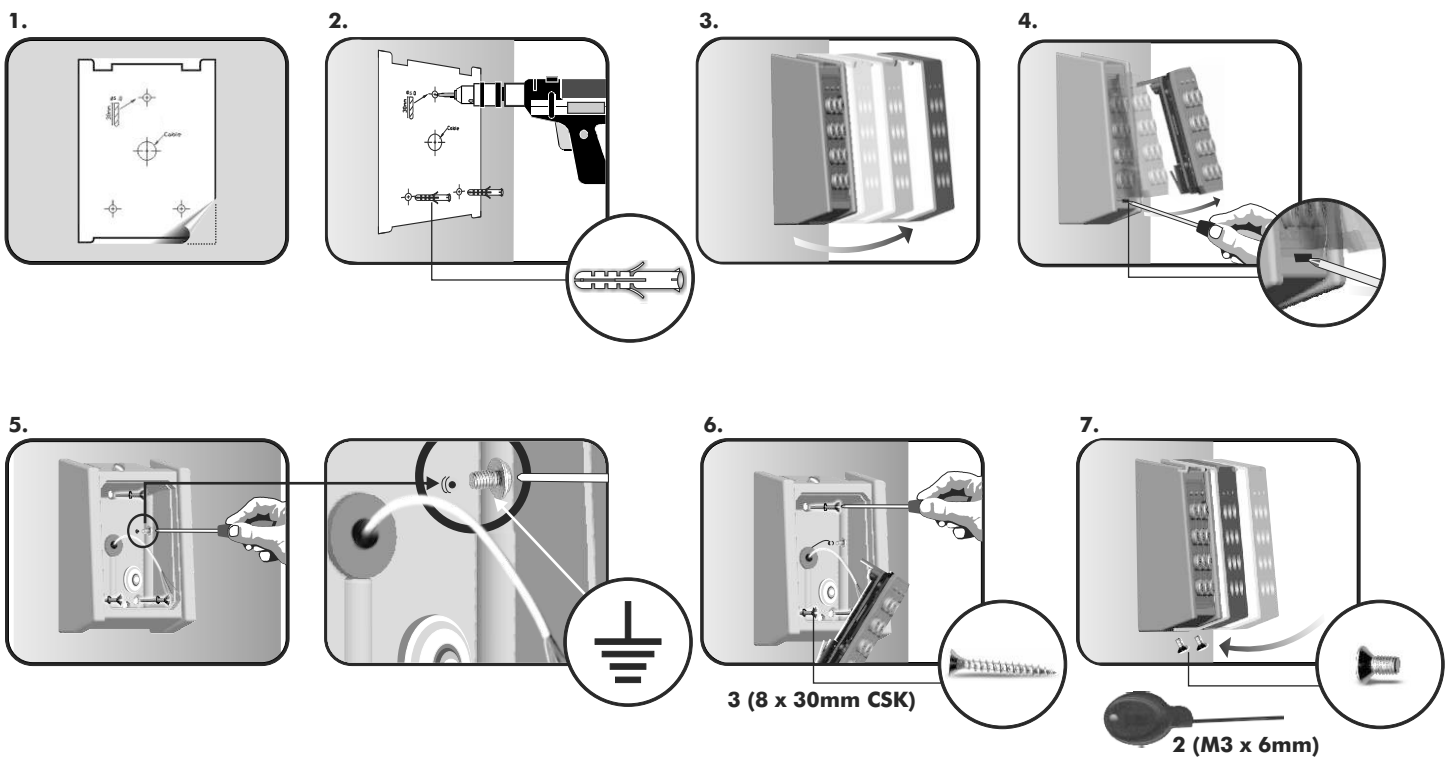


## Installation Instructions

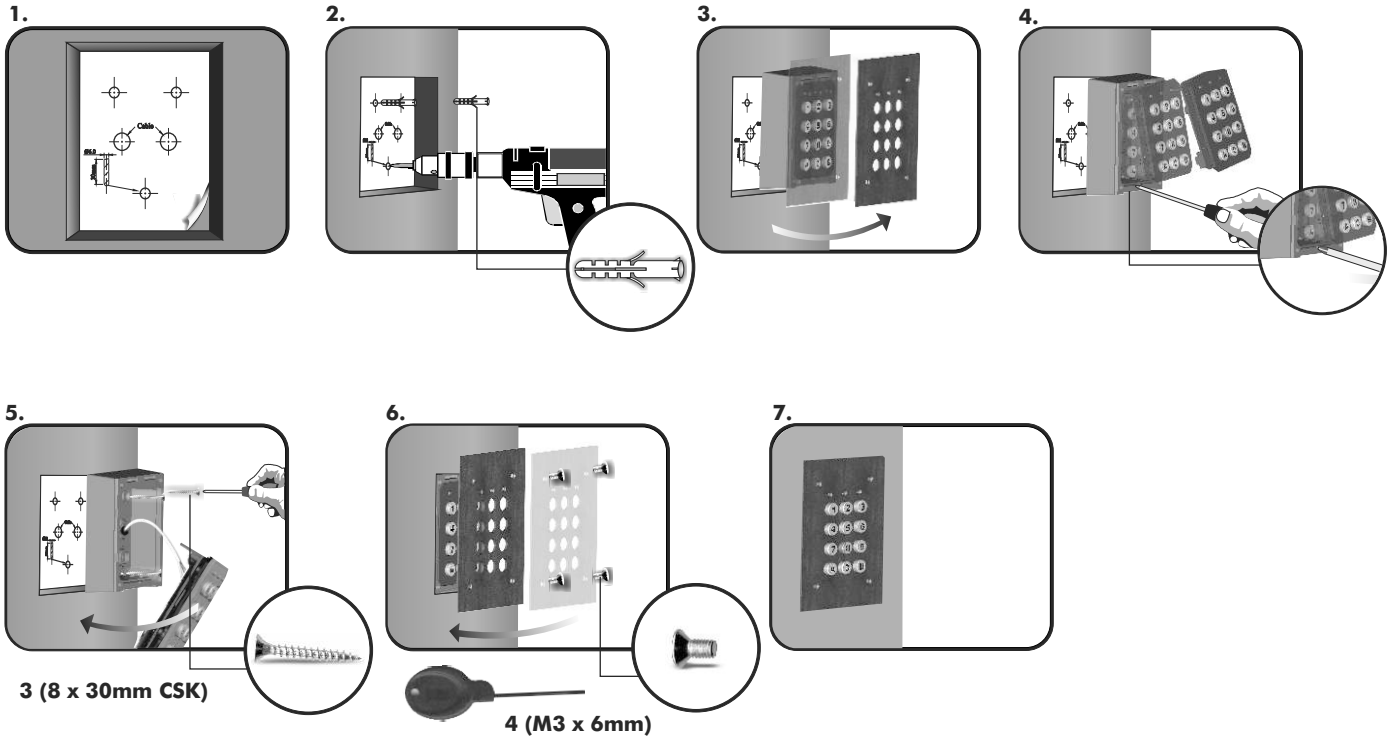
### 43 ABS Housing Surface



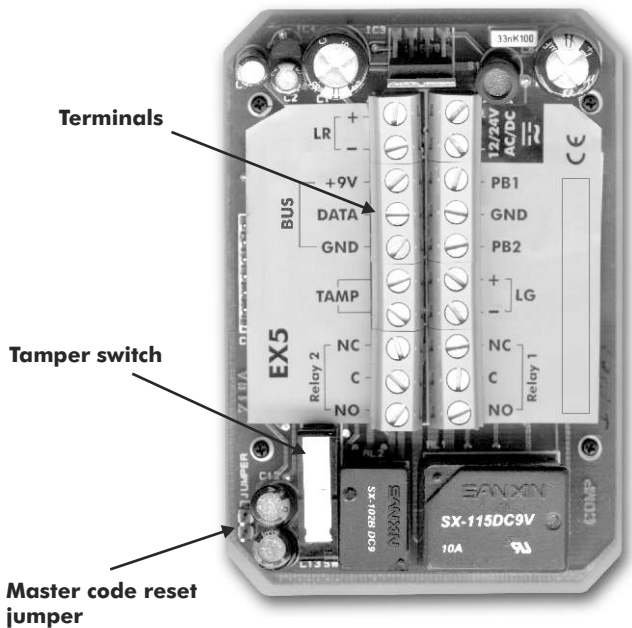
### 52/ 72 Metal Housing Surface



## 102 Metal Housing Flush

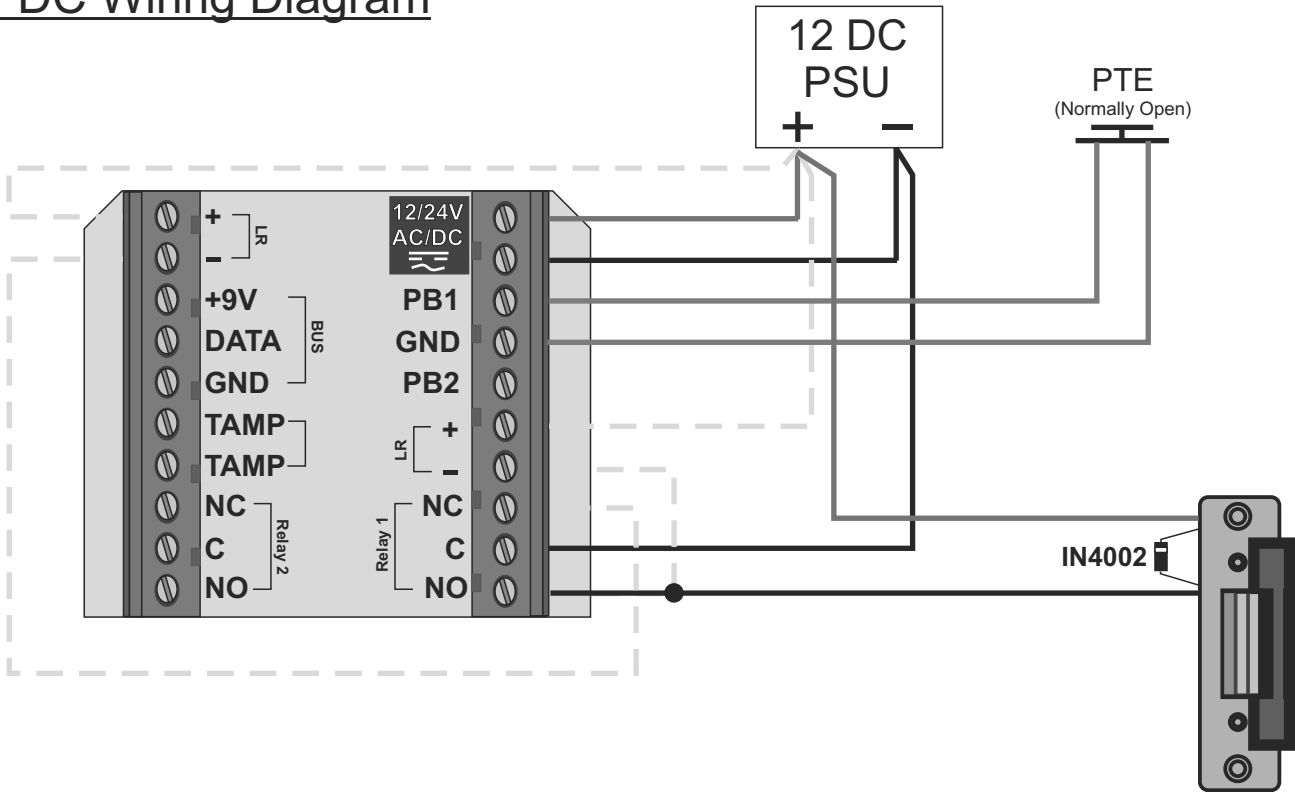


## Terminal Connections

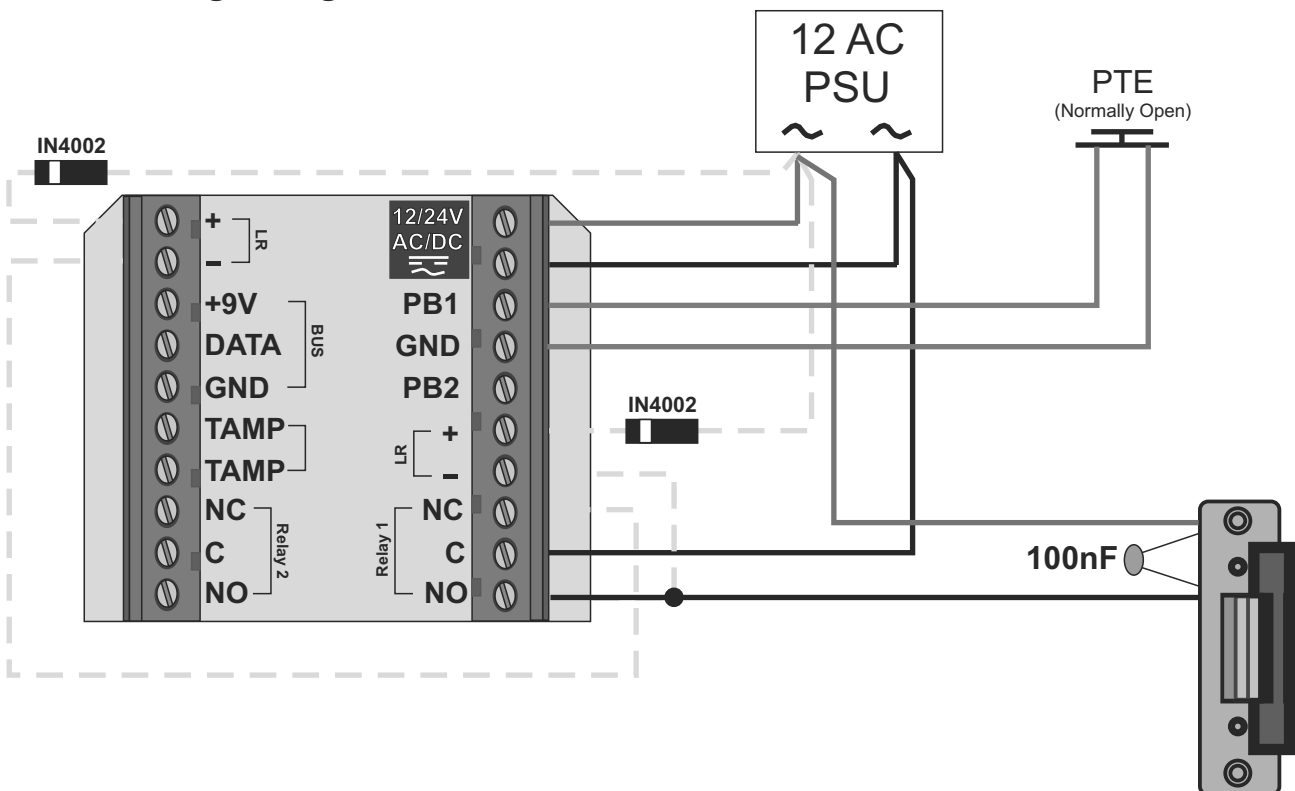


12/24V AC/DC	Voltage in	
PB1	Push to exit input 1 (Active GND)	
GND	Push to exit ground	
PB2	Push to exit input 2 (Active GND)	
+LG	+ Green LED	
-LG	- Green LED	
Relay 1	NC	Normally closed
	C	Common
	NO	Normally open
+LR	+ Red LED	
-LR	- Red LED	
CODIX BUS	+9V	Connections for CODIX peripherals
	DATA	
	GND	
TAMP	Tamper switch output (Normally closed)	
Relay 2	NC	Normally closed
	C	Common
	NO	Normally open

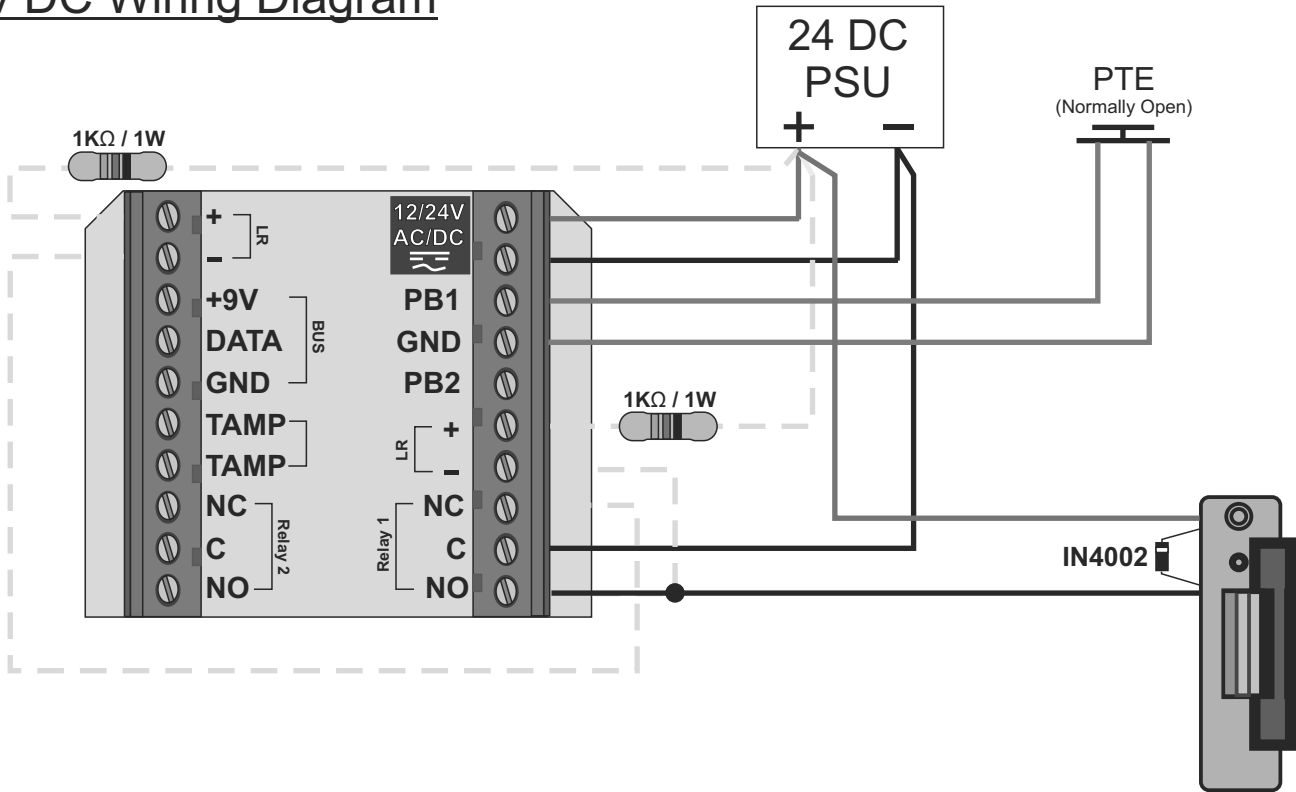
## 12v DC Wiring Diagram



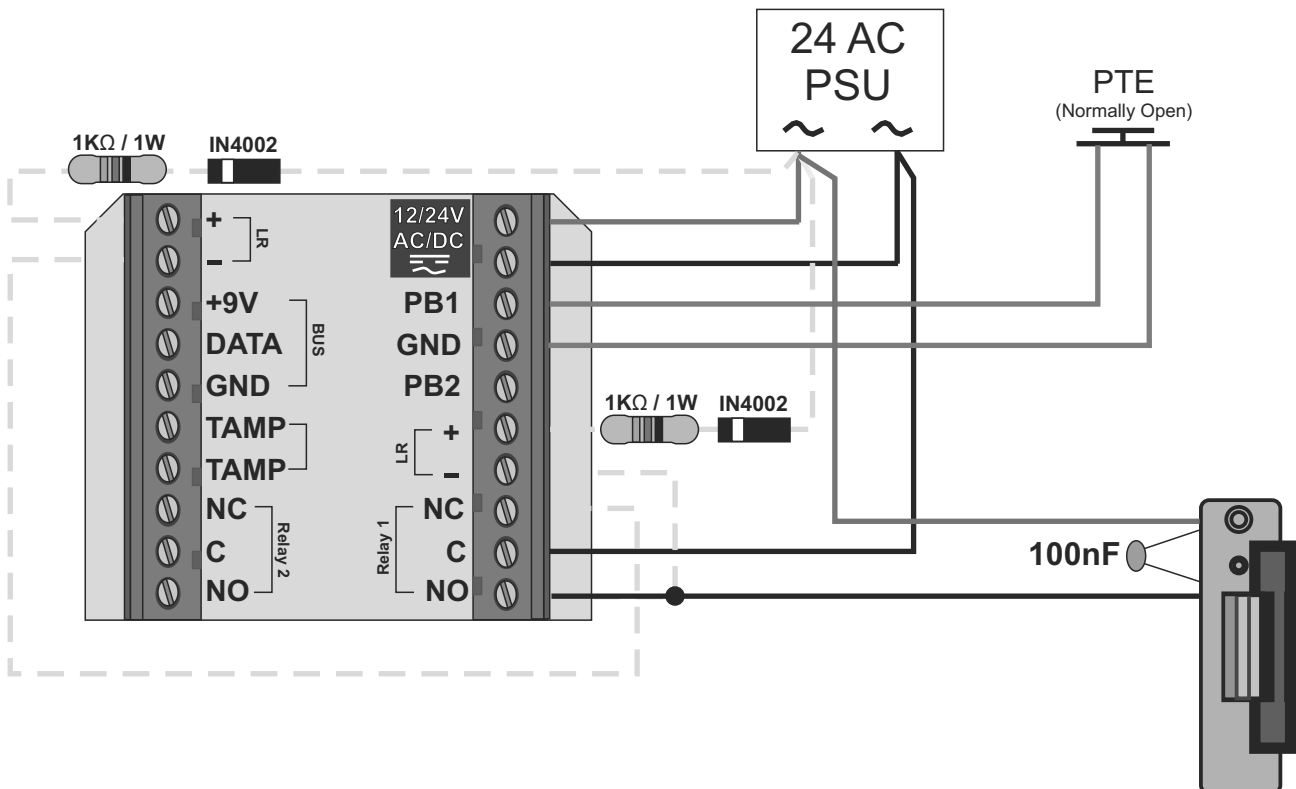
## 12v AC Wiring Diagram



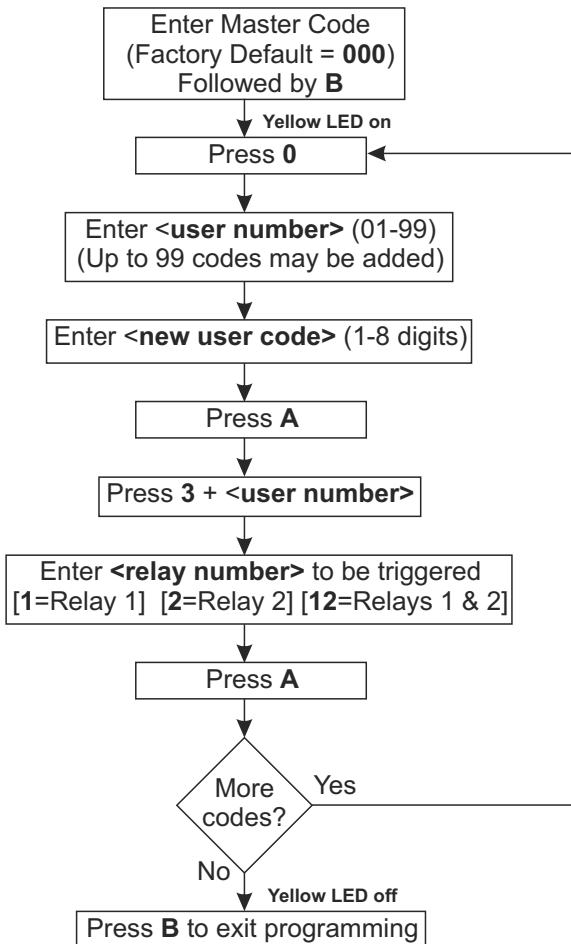
## 24v DC Wiring Diagram



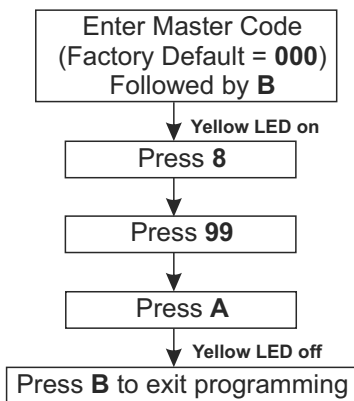
## 24v AC Wiring Diagram



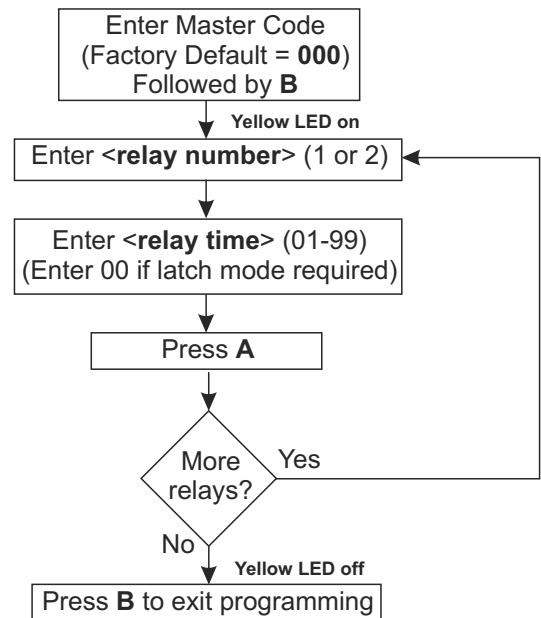
## Adding a User Code



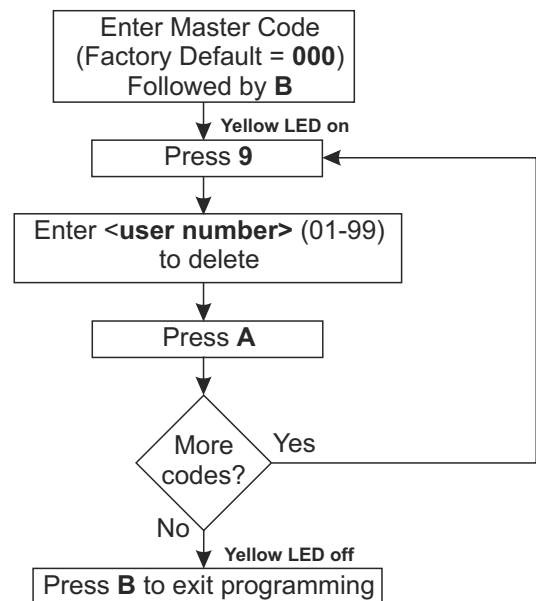
## Delete All Codes



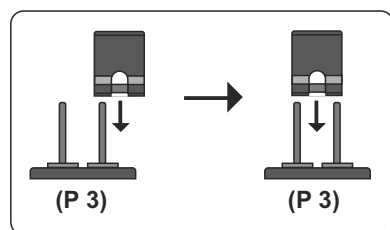
## Relay Time



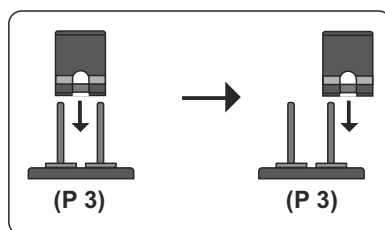
## Delete a User Code



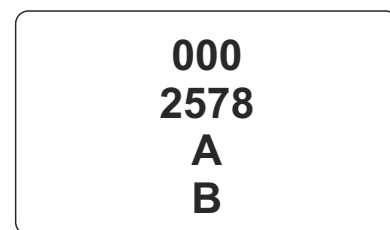
## Resetting the Master Code



Disconnect power and close jumper P3.  
Reconnect power.  
Beep Beep + Yellow LED blinks



Remove jumper P3.  
Yellow LED switches on + Long beep



Enter the default master code 000  
Enter the new master code e.g 2578  
Press A followed by Beep Beep  
Press B and the yellow LED switches off

## Troubleshooting

### **Keypad does not respond to key presses**

1. Check the correct voltage is present on the input terminals (12/24v ac/dc).

### **Keypad is not accepting default master code 000**

1. Perform master code reset.

### **Keypad no longer accepts user code**

1. Check master code has been changed from the default.
2. Check back EMF protection across lock release.

### **Keypad accepts user code but no longer releases lock**

1. Check the correct relay output is assigned to user code.
2. Check all push to exit buttons are normally open.
3. Check for continuity across relay contacts when user code is entered.
4. Check lock wiring for continuity.
5. Check the correct voltage is present on the input terminals (12/24v ac/dc).

### **Red / Green LED not functioning**

1. Check LR & LG wiring
2. Check a resistor / diode is present if required.

### **Relay triggers and does not return back to its previous state**

1. Check relay is not set up to latch



**Northern Office**

Videx Security Ltd  
Unit 4-7 Chillingham ind Est  
Newcastle Upon Tyne  
NE6 2XX  
Tel: 0870 300 1240  
Fax: 0191 224 5678

**Southern Office**

1 Osprey  
Trinity Park  
Trinity Way  
London  
E4 8TD  
Fax: 0208 523 5825

**Technical Support**

[tech@videx-security.com](mailto:tech@videx-security.com)  
Tel: 0191 224 3174  
Fax: 0191 224 4938  
<http://www.videx-security.com>