

CONTROL UNITS FOR SERIAL CODELOCKS

All serial codelock units require a remote VIDEX control unit.

Control Units are identified by memory capacity (number of access codes that can be stored), the number of relay outputs (with C/NC/NO contacts) and the operating mode. The control unit is programmed via the keypad to which it is connected. The programming allows for the storage of access codes and the setting of the relay operating times.

Access to the programming menu is password (PIN) code protected (maximum 8 digits) and can be customized by the end user.

Serial connection between units uses 3 standard wires with a maximum distance of 600mts.

Art. CONTROL UNIT FEATURES

VX1010-1 Control Unit with door open/additional service function, with 1 access code, 1 relay output with the option to control up to 2 serial keypads in parallel using keypad types: VX1001, VX1011, VX1020 and VX1021.

Housed in a standard 5 module A type DIN box (87.50mm).

Working Voltage: 12/24Vac/dc 2VA max.

Working temperature: -10 +50°C.

VX1010-2 Control Unit with door open/additional service function, with 9 access codes and 2 relay outputs. The unit will control up to 2 serial keypads in parallel, using keypad types: VX1001, VX1011, VX1020 and VX1021.

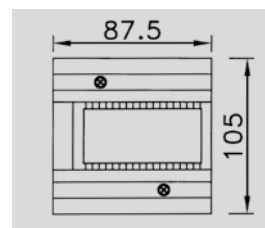
Housed in a standard 5 module A type DIN box (87.50mm).

Working Voltage: 12/24Vac/dc 2VA max.

Working temperature: -10 +50°C.



Art.VX 1010-2



ACCESS CONTROL SYSTEMS USING PROXIMITY KEY READERS

"VproX" control units are available in five different sizes, allowing greater flexibility in the design and implementation of access control systems. A system will include a control unit, one or more key reader, power supply and as many proximity keys as required. VproX" access control systems can be used from 1 door 20 user installation up to 20 main doors and 99 apartment doors with 4000 users.

Art. PROXIMITY KEYS

All proximity keys use a 32 bit code (with over 4 billion combinations) and are available in two different formats: card and tags.

VX955/C Proximity key built into a PVC card, badge size (ISO standard 85,6x54x0,76). Colour: gloss white, compatible for silk screen printing. 32 bit code and a reading distance up to 50mm (using Videx readers).

VX955/T Proximity key built into a plastic key-holder (fob), diameter 36mm and thickness 5mm. Colour: grey, with Videx logo. 32 bit code and reading distance up to 20mm (using Videx readers).

Art.VX955/C



Art.VX955/T

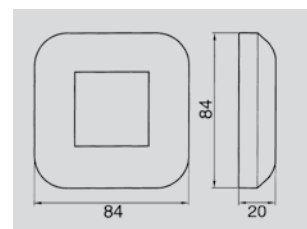


PROXIMITY KEY READER UNITS

VIDEX produce a wide range of proximity key readers to meet all installation and market requirements. The range includes: surface mounting readers in plastic or metal housings, flush mounting readers, reader modules for "8000 Series" and "4000 Series" modular systems and reader modules for installation on third party products.

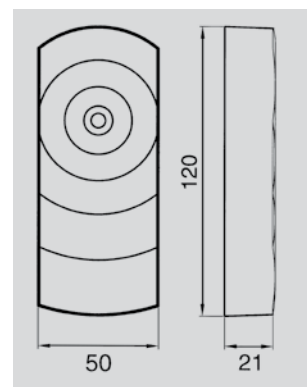
Art. DESCRIPTION

- 849Z** Proximity key reader for VIDEX 32bit coded keys. The circuitry is housed in a die-cast aluminium alloy enclosure (compact and robust) with a polycarbonate window for the key reading area. The maximum reading distance is between 20 to 50mm depending on the key type used. The unit gives visual (tri coloured LED in reader window) and audible signals (internal buzzer) of operation. Connection from the reader to the "VproX" control unit requires a 5 wire cable for a maximum distance of 200 meters. The Art.849Z is available in two different finishes: pearl nickel (to order add "/N" to the product code) or dark grey (to order add "/G") The key reader is supplied from the control unit and is provided with a hidden fixing plate for surface mounting and a 3mts 5 core cable. Working temperature: -10 +50°C



Art. SURFACE MOUNTING READERS

- 849P** The 849P is housed in an impact resistant ABS plastic housing and has the same features as the 849Z. The units are available in two colours: white (to order add "/W" to the product code) or dark grey (add "/G" to the product code). Working temperature: -10 +50°C



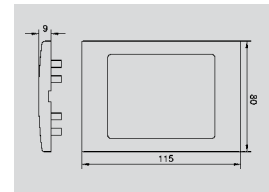
Art. FLUSH MOUNTING READERS

849F* Proximity key reader having the same features as Art.849 but using flush mounting support. The support (made from impact resistant ABS plastic) is available in 2 different colours: white and dark grey (when ordering add suffix /W for white or /G for dark grey). The installation requires a standard 503 flush mounting box (not provided).
Working temperature: -10 +50°C

**Painting of different colours shall be made by the customer: in this case order the unassembled version of the article.*



Art.849F

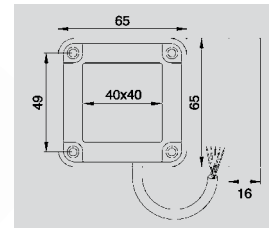


Art. PANEL MOUNTING UNIT

VP/PM Proximity key reader head for panel mounting (or other third party support mounting), with polycarbonate window (40x40mm), protection box (55x55mm) and 35cm connection cable. Same features and operation of other models.
4 fixing holes as shown in the drawing.
Working temperature -10 +50°C.



Art.VP/PM



Art. READERS FOR "8000" SERIES MODULAR SYSTEMS

8849 Videx proximity reader built in to a "Series 8000" module. Having the same features as the above models. This unit combines a polycarbonate reader window with stainless steel or aluminium frame (when ordering add a suffix "/S" for stainless steel or "/A" for aluminium).
Working temperature -10 +50°C.



Art. 8849

Art. READERS FOR "4000" SERIES MODULAR SYSTEM

4849 Videx proximity reader built in to a "Series 4000" module. Having the same features as the above models. This unit combines a polycarbonate reader window. Finishes as provided for 4000 Series modular system.
Working temperature -10 +50°C.

VR4KVPM As Art.4849 but vandal resistant line

STAND ALONE READERS FOR 4000 SERIES MODULAR SYSTEM

The 4000 Series is continuously undergoing enhancements and improvement to current modules and introducing new modules to compliment the range. Two new stand-alone proximity key reader modules have been added to the range.

The appearance of these new modules is the same as the Art.4849 but include a dry contact changeover relay. The readers are available in two versions 100 and 1000 user. The 1000 user (Art.4850/P) has an RS-232 and RS-485 serial interface included and can be used standalone (Self contained) or as part of a network. Programming of both units is carried out using the 4 buttons on the rear of the modules or additionally through a PC or the network for the Art.4850/P. Finishes as provided for 4000 Series modular system.

Working Voltage: 12/24Vac/dc 1 VA.

Working temperature: -10 +50°C.

Relay contacts: 24Vac/dc 3A

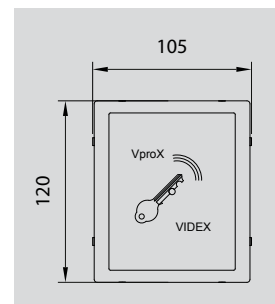
Art. READERS FOR "4000" SERIES MODULAR SYSTEM

4850 Stand-alone proximity reader module with 1 relay, 100 users

4850/P Stand-alone Proximity reader module with 1 relay, 1000 users RS-232 for programming, RS-485 serial interfaces which allows connection to remote control units Art.VX1050 and Art.VX1052.



Art. 4849/A
Art. 4850/A
Art. 4850/P/A



CONTROL UNITS FOR PROXIMITY KEY READERS

Videx proximity readers are managed by one of the "VproX" control units. The range offers various models from a basic unit that controls a single access point, to the more sophisticated, that have multi-access control and advanced features of programming/management of "events and reports". All devices operate autonomously, so they do not need a fixed connection with a Personal Computer. Various system functions and programming features are accessible by using the switches and keyboards of the control units, while the most advanced system (VproX-1000 and 4000) can be controlled "on line" by a PC using special Videx software "VP4000". All control units in the range include an internal key reader and the option to have up to 2 external reader units (in parallel) on each door. Relay outputs have NC/NO contacts, 5Amps-24Vac/dc max. Connection to the "VproX" reader unit requires a minimum of 5 core cable (for serial communication) with a maximum distance of 200mts.

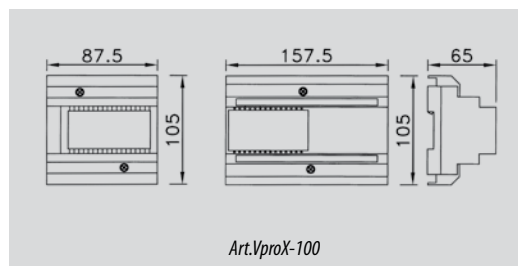
Art. CONTROL UNIT CONTROL FEATURES

VproX-20 Control unit for 1 door and 20 proximity keys. Programming, deleting and testing of a single key and 4 door opening time settings (from 2 to 10secs). Available in a plastic box, standard 5 module A type DIN box (87.50mm). Power required: 12Vac/dc 2VA max.

VproX-100 Control unit for 2 doors and 100 proximity keys. 2 digits display and 4 function pushbuttons to gain access (by means of a "master code") for the programming, deleting and testing of a single key and to set the door opening time (from 1 to 99secs). Available in a plastic box, standard 9 module A type DIN box (157.50mm). Power required: 12Vac/dc 2VA max.

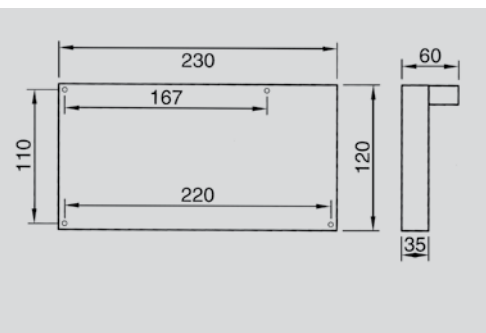


Art. VproX-20



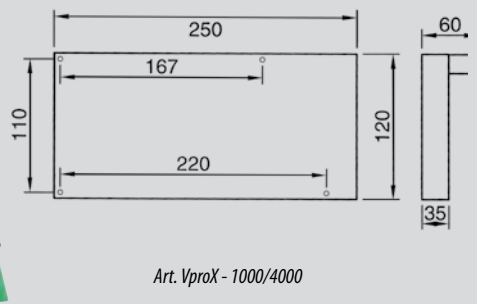
Art. VproX-100

VproX-250 Control unit for 3 doors and 250 proximity keys. 4 digit display and 4x3 keypad to gain access (by means of a "master code") for the programming, deleting and testing of a single key, to set the door opening time (from 1 to 99secs) and the "time band" access (keys working time). Alarm relay with timed activation after 5 attempts of entering with a "not allowed" key. Real time /clock on board (with backup battery) and parallel port for an "on line" printer to report each entry. 2 removable "Socket Memory Eeprom" for the "main memory" and "back up memory" where all system data is contained. Power required: 12Vdc 4VA max.



Art. VproX-250

VproX-1000 Control unit for 4 main doors (Expanding up to 20), and up to 99 apartment doors (by adding the VproX-1000A unit for each door that requires to be controlled) and 1000 proximity keys. 2 x 16 chars LCD display and 4 x 4 keypad to gain access (by use of a "master code") for the programming, deleting and testing of a single key, to set the door opening times (from 1 to 255secs) and the 4 "time bands" (keys working time). Internal memory for the "event report" (up to 512), and a serial RS232 port for connection to a P.C. with special Videx software. Alarm relay with timed activation after 5 attempts of entering a "not allowed" key. Real time /clock on board (with backup battery) and 2 removable "Socket Memory Eeprom" for the "main memory" and "back up memory" where all system data is contained. Power required: 12Vdc 4VA max.

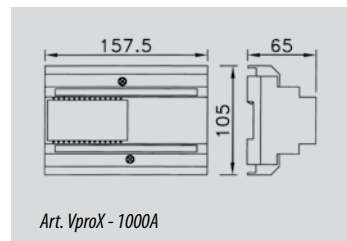


VproX-4000 Includes all the functions of VproX-1000, plus the followings additional features:

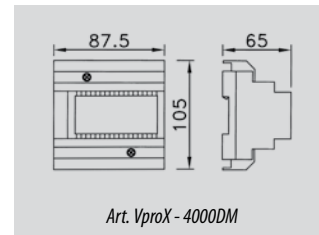
- Memory capability up to 4000 keys
- Internal memory for the 'Event Report' now stores up to 2048 events
- 'Direct copy' function to copy the 'Main' memory module onto 'Backup' memory module
- Control of 'VproX-4000/DM' door monitoring device, to monitor the door status from the PC.
- Fully compatible with the advanced PC software 'VP4000'.

Art. VPROX SYSTEM EXPANSION DEVICES

VproX-1000A Remote control unit for "VproX" proximity reader compatible with "VproX-1000/4000" system. This device allows for the further expansion to the 4 main doors included on the "VproX- 1000/4000" unit up to 20 (by adding one unit for each door) or to control the secondary apartment doors up to 100 (by adding one unit for each door). By using a minimum 3 core cable all the remote control units are connected in parallel on a serial BUS to the "VproX-1000/4000" control unit. Available in a plastic, standard 9 module A type DIN box (157.50mm) with 230Vac 20VA max power supply with the facility to connect a 12V – 2A backup battery.



VproX-4000/DM Door monitoring unit compatible with the VproX-4000 system. This device enables the monitoring of doors for either being open or closed. Four doors can be monitored by each unit. The information will be relayed to the VproX-4000 controller and from there on to the PC. The PC can then monitor the length of time a door is open and if necessary activate an alarm. This greatly improves the security level of the VproX-4000 system. It is possible to connect up to 5 door monitoring units in parallel (To control up to 20 doors max.) on the same serial BUS used by VproX- 1000/A sub units (Three wire bus). Available in a plastic, standard 5 module A type DIN box with 12Vdc 1VA max.



Art. MANAGEMENT SOFTWARE FOR VPROX CONTROL UNITS

VP4000 VproX-1000/4000 Win Software - Special program for the Windows environment to manage the "VproX-1000" and the VproX- 4000 controller units via a PC. The program incorporates user friendly menus with on line "help". When a database is created it is possible to associate the "user name" to each key stored in the memory and to have access to all configuration parameters. The software allows for the deletion or addition of keys and operates many other useful functions. It is also possible to download from the "VproX system the "event report" memory and to list its contents by name, key number or chronological date. If the PC program remains connected "on line", the screen will show the data of the last 5 entries with the photo ID of last user. The program is supplied on CD-ROM with a RS232 cable.

When used with the VproX-4000, the software has the following additional features:

- Door monitoring when using the VproX-4000/DM module.
- Make a note of a particular key so that you can be informed when it is next used.
- Assign credits to keys so that when all credits are used the key is disabled.

A different number of credits can be assigned to different doors.

- Program keys that will only operate once or that will expiry after a certain date.
- Reset the time and date on the VproX-4000 CPU to match the PC time and date



VP4000-VproX-1000/4000 Win Software