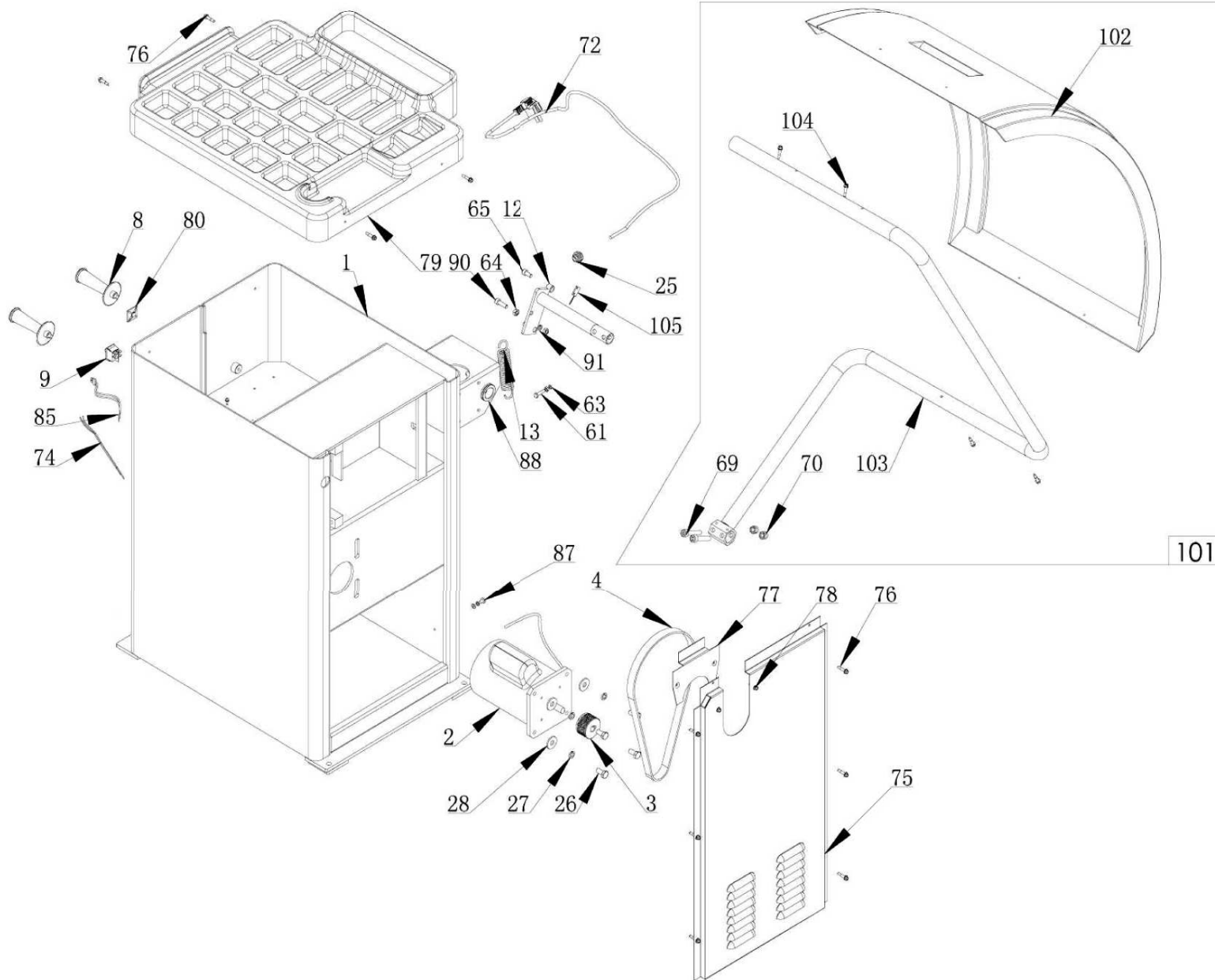
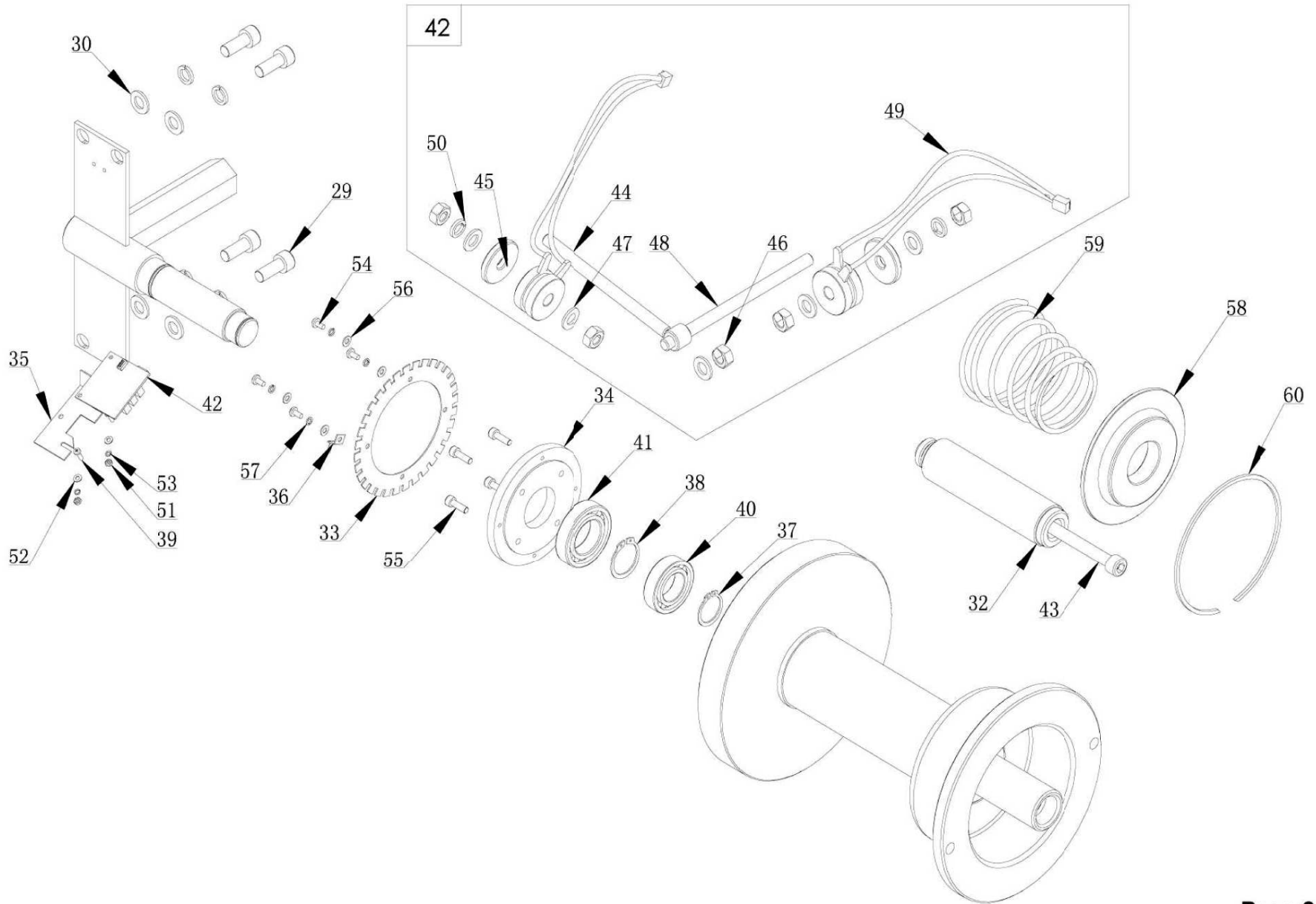


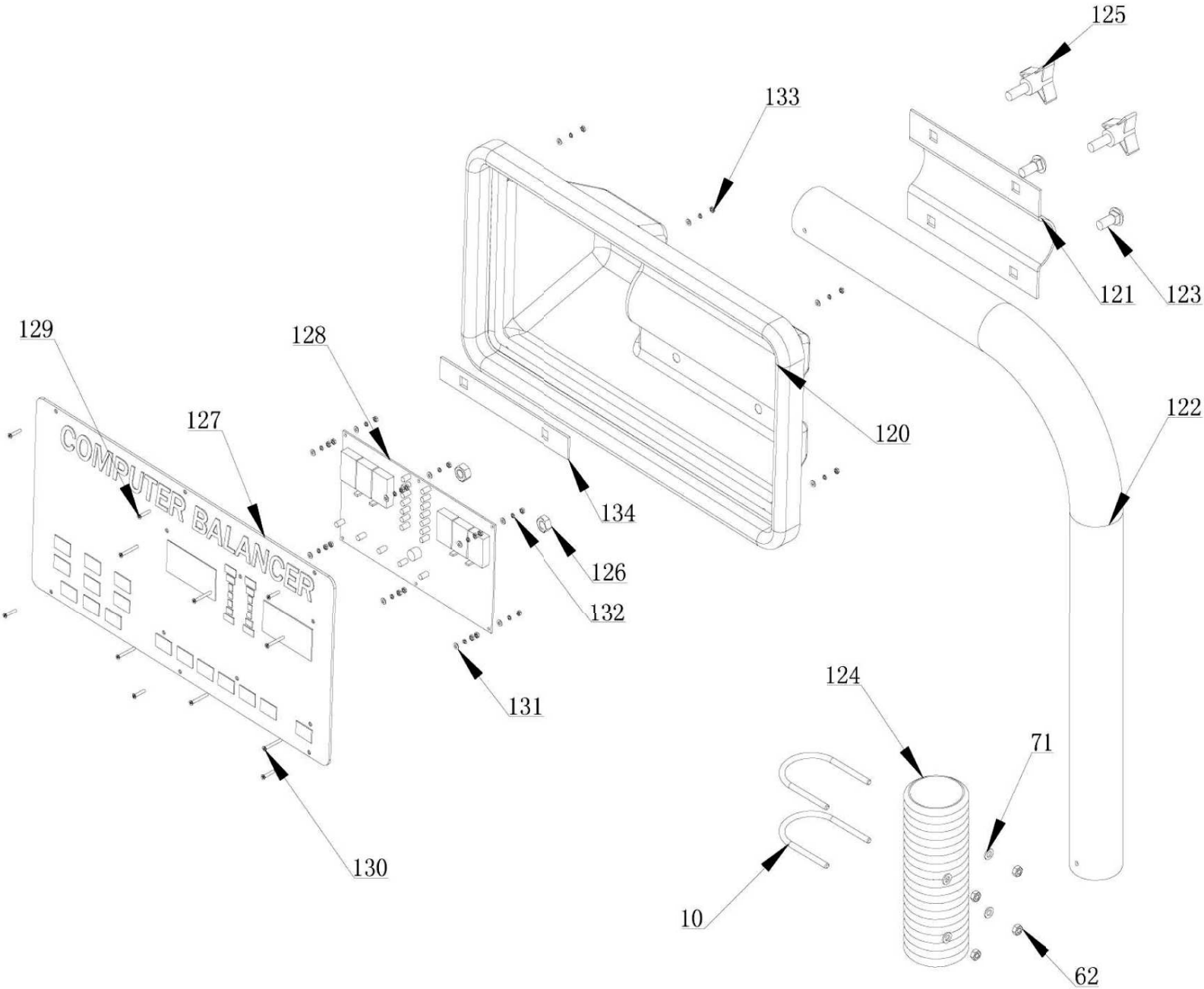
WB-953



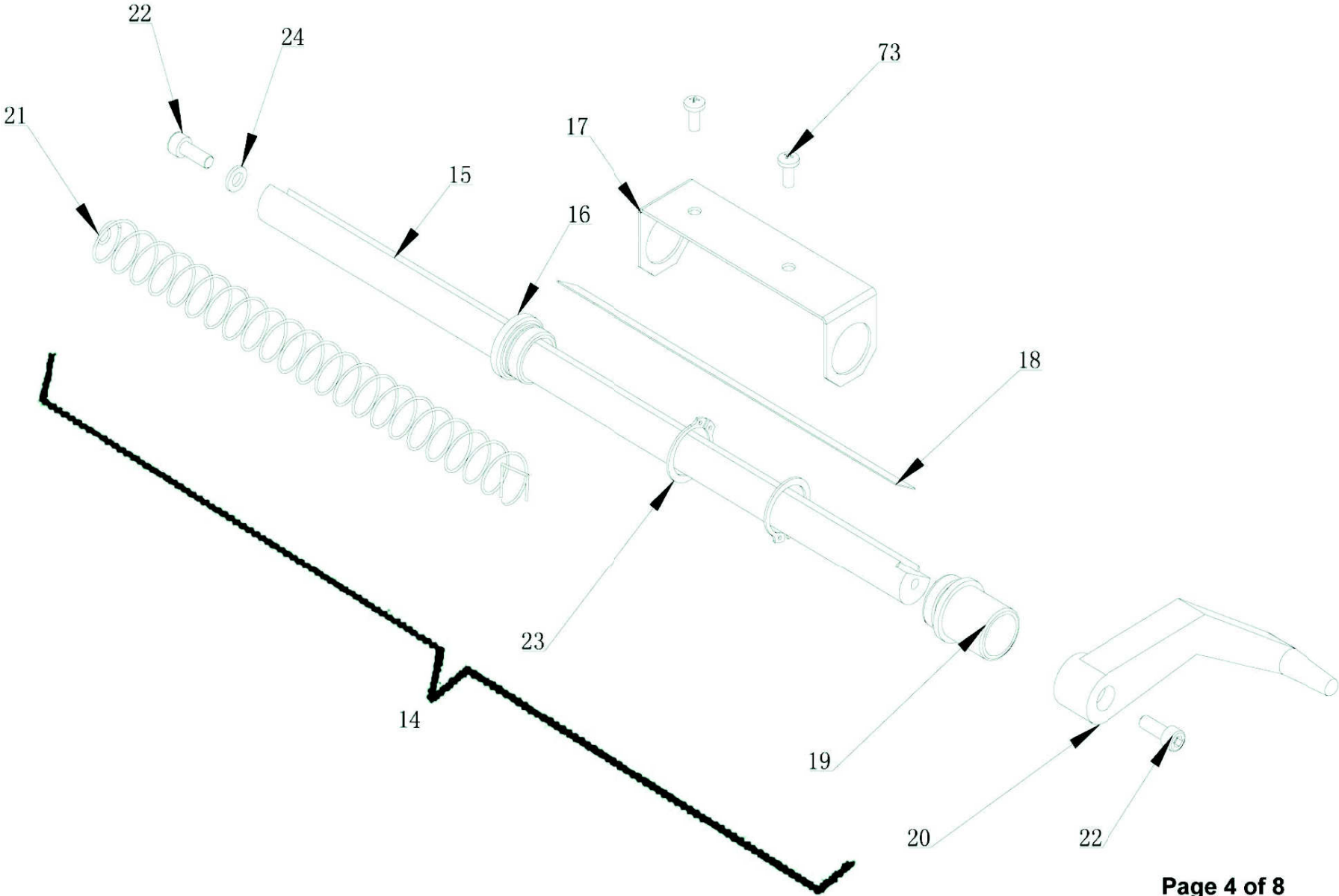
WB-953



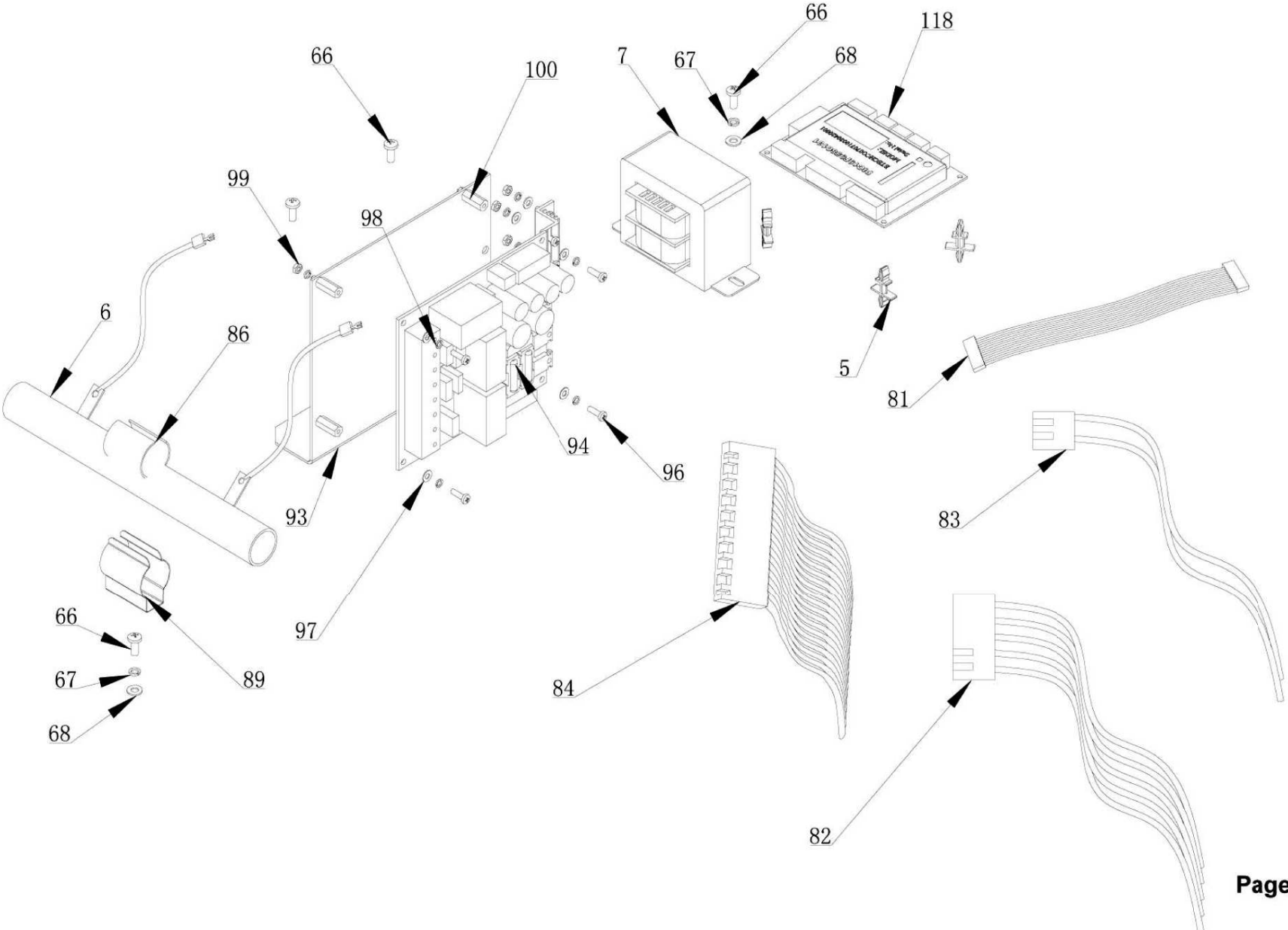
WB-953



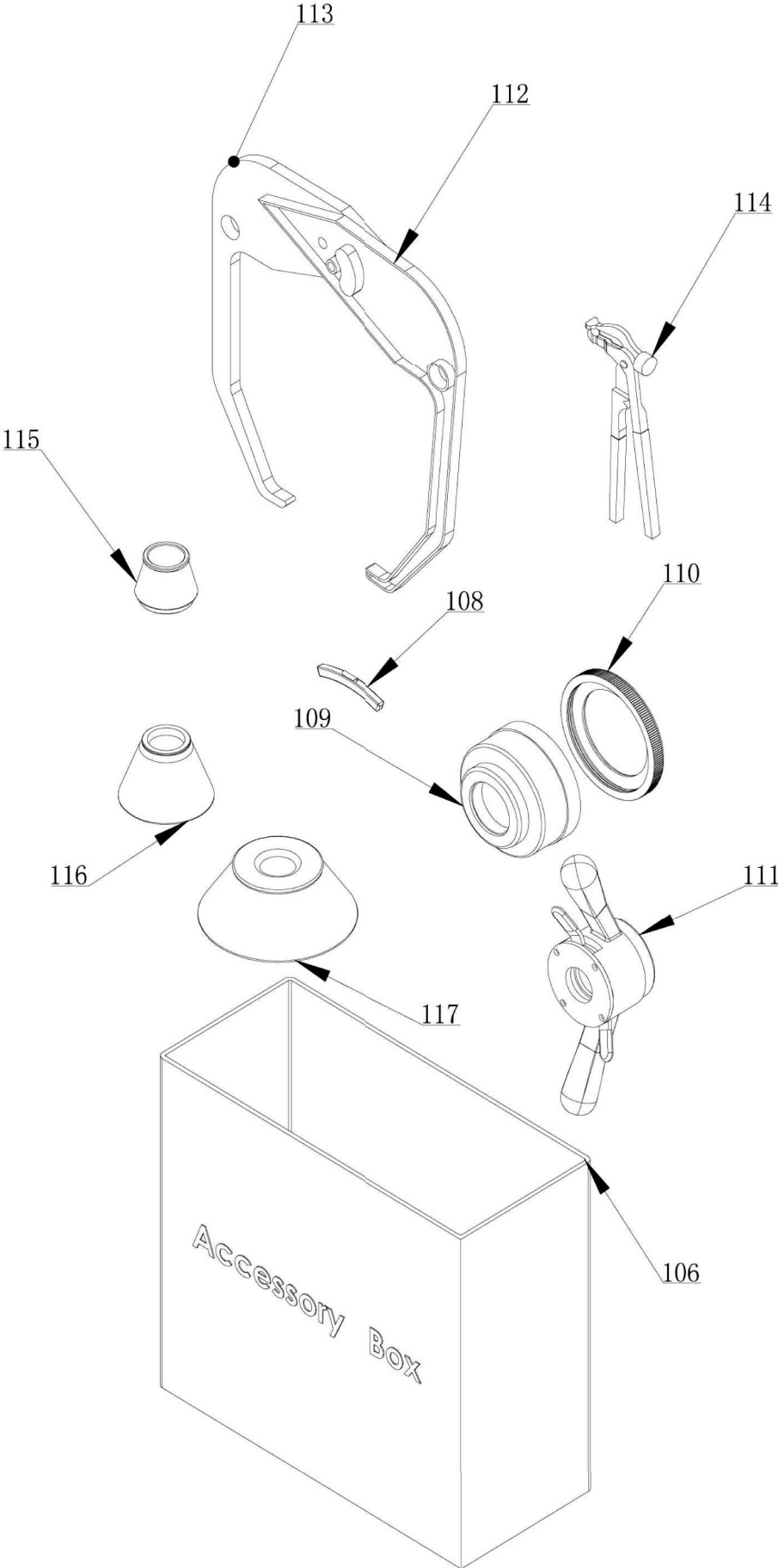
WB-953



WB-953



WB-953



WB-953

Spare Parts List

ITEM	PART CODE	DESCRIPTION	QTY
1	WB-1060-101	BODY	1
2	WB-1030-7009	MOTOR	1
3	WB-1030-7007	COUNTER PULLEY	1
4	WB-1030-7003	BELT	1
5	WB-1030-7012	NYLON SPACER	4
6	WB-1030-7015	RESISTOR	1
7	WB-1030-7011	TRANSFORMER	1
8	WB-1030-7020	HANDLE	2
9	WB-1030-7059	POWER SWITCH	1
10	WB-1060-140	U-CLAMP	2
12	WB-953-018	SUPPORT SHAFT	1
13	WB-953-017	SPRING	1
14	WB-1030-7113	SCALE ASSEMBLY	1
15	WB-1030-7027	SCALE ROD	1
16	WB-1030-7032	GUIDE	1
17	WB-1030-7030	SCALE SUPPORT	1
18	WB-953-061	MEASURING TAPE	1
19	WB-1030-7028	SPACER	1
20	WB-1030-7026	SCALE HANDLE	1
21	WB-1030-7033	SPRING	1
22	WB-1030-7025	BOLT, M6 X 16	2
23	WB-1030-7029	SNAP RING, # 25	2

ITEM	PART CODE	DESCRIPTION	QTY
24	WB-1030-7034	FLAT WASHER, # 6	1
25	WB-953-002	ELECTRICAL BULKHEAD FITTING	1
26	WB-1030-7025	BOLT, M6 X 16	4
27	TC-530-9119	LOCK WASHER, # 6	8
28	TC-530-9142	FLAT WASHER, # 6	4
29	WB-1030-7081	BOLT, M10 X 20	4
30	WB-1030-7079	FLAT WASHER, # 10	4
32	WB-1030-7061	THREADED ROD	1
33	WB-1030-7074	ENCODER DISK	1
34	WB-1030-7068	BEARING COVER	1
35	WB-1030-7084	ADJUSTABLE PLATE	1
36	WB-953-090	TOOTH, ENCODER DISK	1
37	WB-1030-7075	SNAP RING, # 25	1
38	WB-1030-7071	SNAP RING, # 30	1
39	WB-1030-7120	Screw	2
40	WB-1030-7076	BEARING	1
41	WB-1030-7077	BEARING	1
42	WB-1030-7118	SENSOR ASSEMBLY	1
43	WB-1030-7060	BOLT, M10 X 160	1
44	WB-1030-7085	SENSOR SHAFT (HORIZONTAL)	1
45	WB-1030-7087	FLAT WASHER	2

ITEM	PART CODE	DESCRIPTION	QTY
46	WB-1030-7086	NUT, M10	5
47	WB-1030-7079	FLAT WASHER, # 10	5
48	WB-1030-7091	SENSOR SHAFT (VERTICAL)	1
49	WB-1030-7088	PIEZO SENSOR	2
50	WB-1030-7080	LOCK WASHER, # 10	2
51	WB-1030-7107	NUT, M3	2
52	WB-1030-7109	FLAT WASHER, # 3	2
53	WB-1030-7108	LOCK WASHER, # 3	2
54	WB-953-104	Screw	4
55	WB-1030-7069	BOLT, M5 X 16	4
56	WB-1030-7072	FLAT WASHER, # 4	4
57	WB-1030-7105	LOCK WASHER, # 4	4
58	WB-953-138	COVER	1
59	WB-953-137	SPRING	1
60	WB-953-139	SNAP RING	1
61	WB-953-015	BOLT, M6 X 20	1
62	TC-530-9269	NUT, M6	5
63	TC-530-9142	FLAT WASHER, # 6	2
64	TC-530-9297	NUT, M8	2
65	TC-530-9164	BOLT, M8 X 20	1
66	TC-530-9090	SCREW, M4 X 12	5

WB-953

Spare Parts List

ITEM	PART CODE	DESCRIPTION	QTY
67	WB-1030-7105	LOCK WASHER, #4	5
68	WB-1030-7072	FLAT WASHER, #4	5
69	TC-530-9322	BOLT, M10 X 50	2
70	TC-530-9185	LOCKNUT, M10	2
71	WB-1030-7034	FLAT WASHER, #6	5
72	WB-1030-7010	POWER CABLE	1
73	WB-1030-7031	SCREW, M5 X 12	2
74	WB-953-057	WIRING HARNESS (POWER SWITCH - POWER BOARD)	1
75	WB-1060-109	SIDE PANEL	1
76	WB-1030-7037	SELF TAPPING BOLT, M5 X 12	10
77	WB-1060-110	COVER	1
78	WB-1030-7037	SELF TAPPING BOLT, M5 X 12	2
79	WB-1060-152	WEIGHT TRAY	1
80	WB-953-080	WIRE RETAINER	2
81	WB-953-059	WIRING HARNESS (COMPUTER BOARD - DISPLAY BOARD)	1
82	WB-953-054	WIRING HARNESS (COMPUTER BOARD - ENCODER BOARD)	1
83	WB-953-055	WIRING HARNESS (COMPUTER BOARD - SENSORS)	1
84	WB-953-058	WIRING HARNESS (COMPUTER BOARD - POWER BOARD)	1
85	WB-953-049	WIRING HARNESS (HOOD SWITCH - POWER BOARD)	1
86	WB-1030-7014	INSULATION PAPER	1
87	TC-530-9149	SCREW, M5 X 16	1

ITEM	PART CODE	DESCRIPTION	QTY
88	WB-953-088	BUSHING	2
89	WB-1030-7016	RESISTOR CLAMP	1
90	WB-1030-7006	BOLT, M8 X 25	1
91	WB-1030-7004	FLAT WASHER, # 8	1
93	WB-953-041	MOUNT PLATE	1
94	WB-953-040	POWER BOARD	1
96	WB-953-038	SCREW, M3 X 8	9
97	WB-1030-7100	FLAT WASHER, # 3	9
98	WB-1030-7108	LOCK WASHER, # 3	13
99	WB-1030-7107	NUT, M3	9
100	WB-953-042	SPACER	4
101	WB-953-HD-1	HOOD ASSEMBLY	1
102	WB-1030-HD-2	HOOD	1
103	WB-953-080	HOOD BRACKET	1
104	WB-1030-7037	SELF TAPPING BOLT, M5 X 12	4
105	WB-953-026	LIMIT SWITCH	1
106	WB-1030-7110	ACCESSORY BOX	1
108	WB-1030-7116	100 GRAM WEIGHT	1
109	WB-1030-7102	PLASTIC BOWL	1
110	WB-953-140	PLASTIC BOWL PROTECTOR	1
111	WB-1030-7104	SPEEDNUT	1

ITEM	PART CODE	DESCRIPTION	QTY
112	WB-1030-7024	CALIPER	2
114	WB-1030-7035	HAMMER	1
115	WB-1030-7021	SMALL CONE	1
116	WB-1030-7022	MEDIUM CONE	1
117	WB-1030-7023	LARGE CONE	1
118	WB-953-047	COMPUTER BOARD	1
120	WB-953-068	DISPLAY HOUSING	1
121	WB-1060-144	MOUNTING BRACKET	1
122	WB-1060-141	DISPLAY NECK	1
123	WB-1060-142	CARRIAGE BOLT	2
124	WB-953-077	PLASTIC SLEEVE	1
125	WB-1060-143	ADJUSTMENT KNOB	2
126	TC-530-9298	NUT, M10	2
127	WB-953-065	DISPLAY PANEL	1
128	WB-953-067	DISPLAY BOARD	1
129	WB-1030-7127	SCREW, M3 X 25	6
130	WB-1030-7127	SCREW, M3 X 25	6
131	WB-1030-7128	FLAT WASHER, # 3	18
132	WB-1030-7129	LOCK WASHER, # 3	18
133	WB-1030-7130	NUT, M3	24
134	WB-1060-180	PLATE	1