

## Introduction

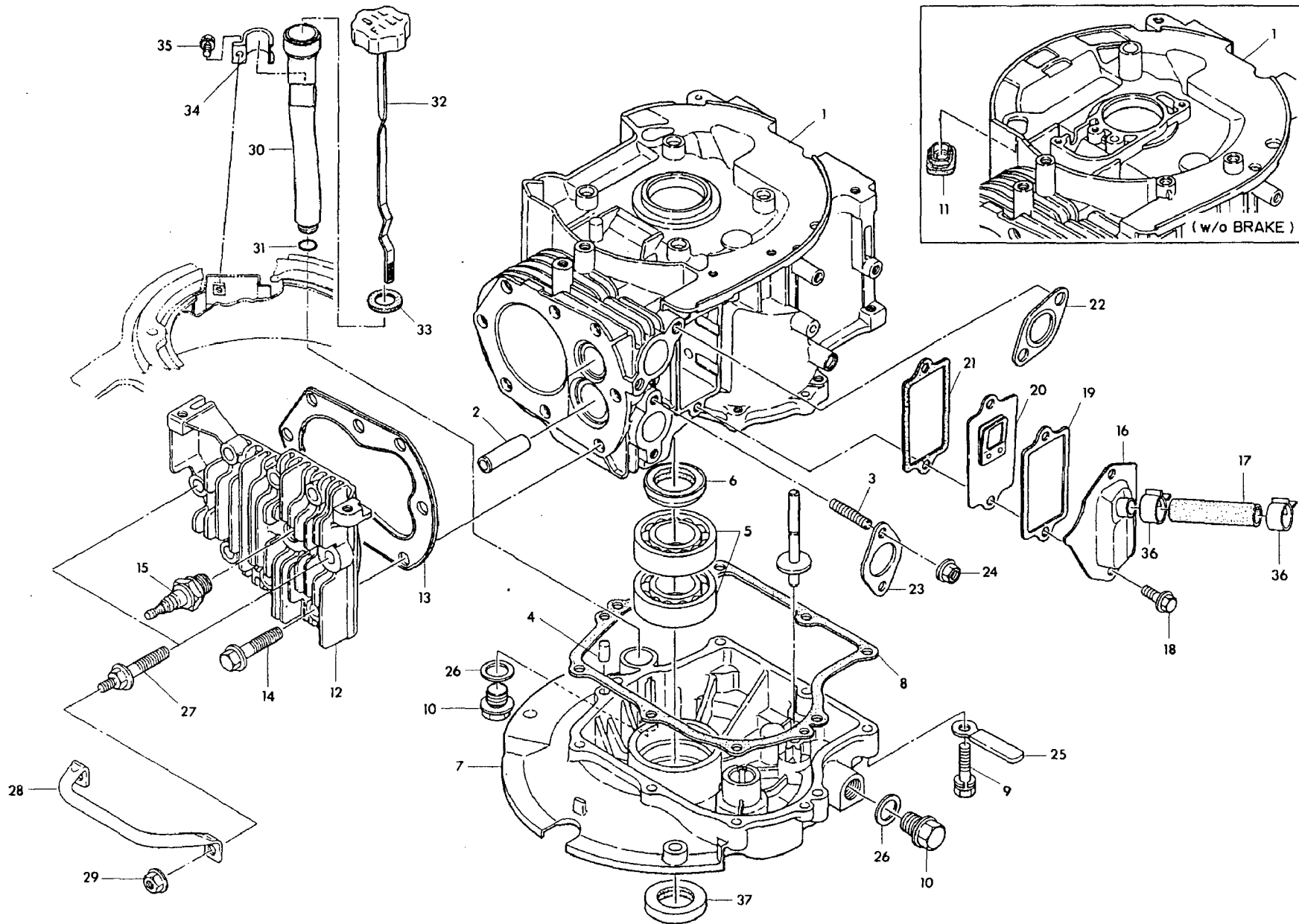
This catalog is designed to identify **Wisconsin Robin** parts.

When ordering parts, it is always advisable to list the engine model, specification number and serial number. With this information, we can check your order for any incorrect part numbers. Use your Service Parts List to ensure proper part number and nomenclature identification.

**TELEDYNE TOTAL POWER** reserves the right to modify, alter and improve engines and parts. Part numbers and the structure of parts may change from those shown in this catalog.

## Table of Contents

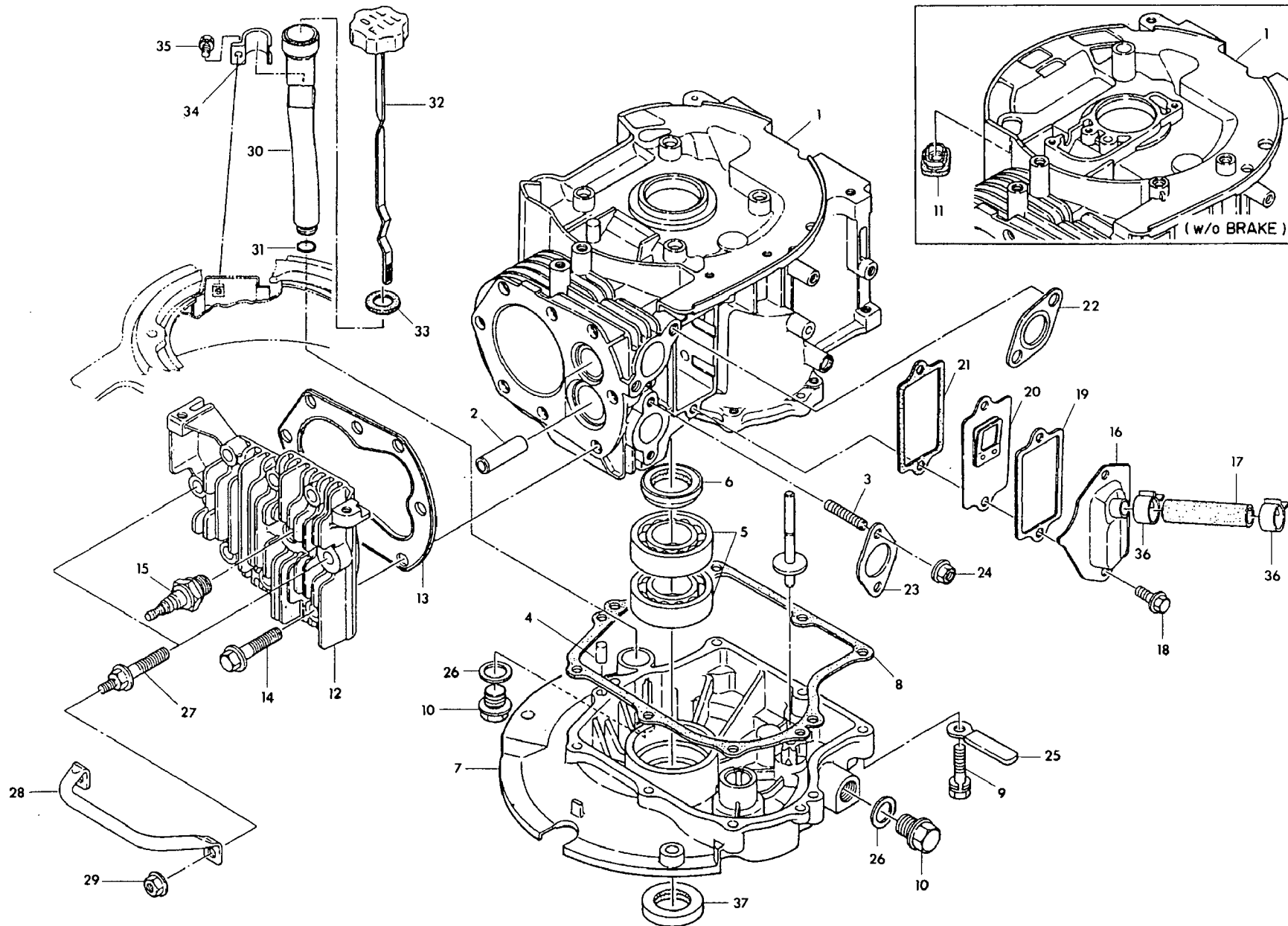
Crankcase and Related Parts for W1-145V .....	2-4
Crankcase and Related Parts for W1-185V .....	6-8
Crankshaft Assembly .....	10-12
Governor (W1-145V Engines Before and Including Serial No. 1051784, and W1-185V Engines Before and Including Serial No. 1042819) .....	14
Governor (W1-145V Engines After and Including Serial No. 1052009, and W1-185V Engines After and Including Serial No. 1042830) .....	16
Fuel Tank .....	18
Air Shroud .....	20
Air Cleaner, Carburetor, Manifold .....	22-24
Flywheel, Ignition Group .....	26
Flywheel Brake Assembly .....	28
Recoil Start .....	30



## Crankcase and Related Parts for W1-145V

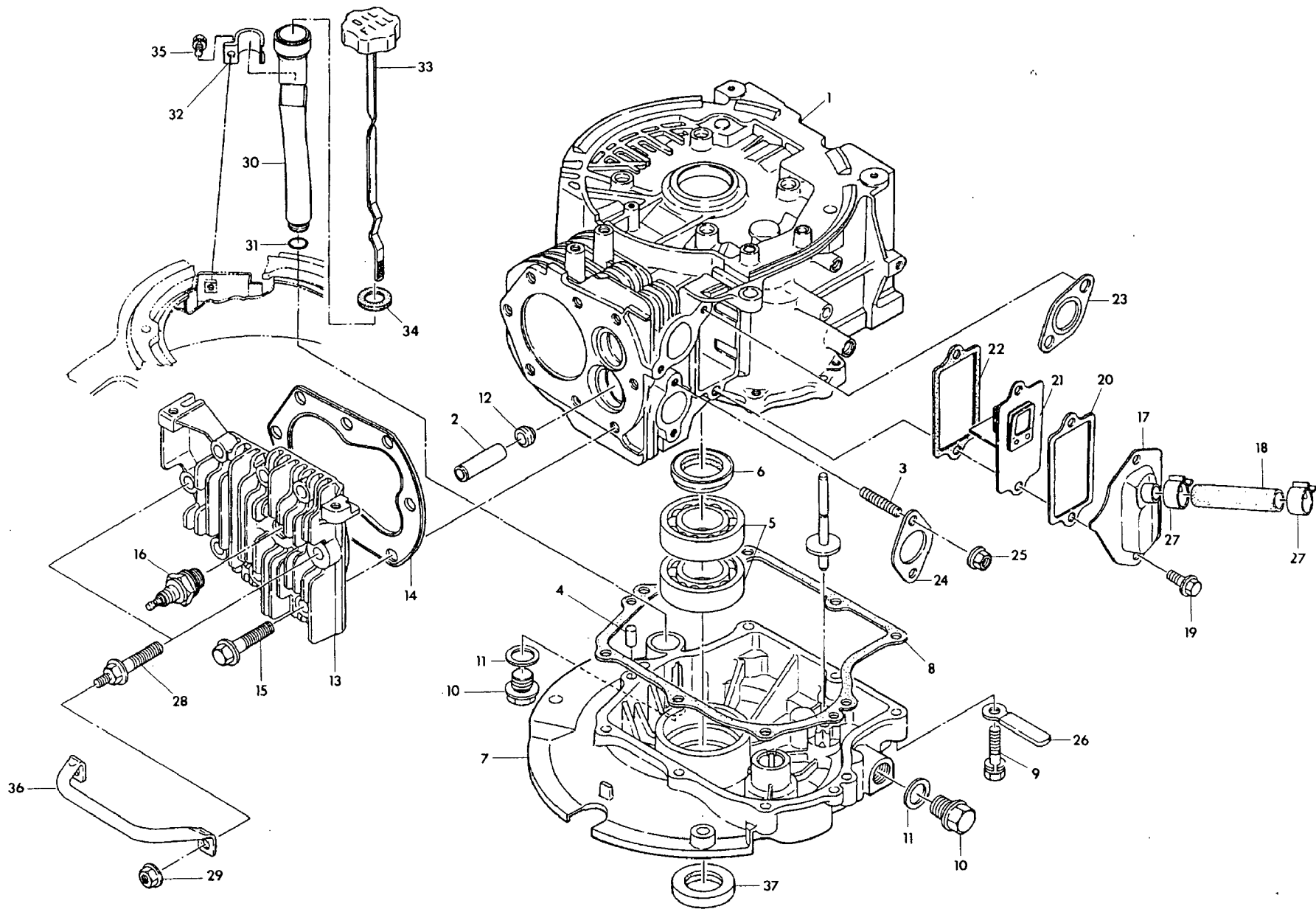
ITEM NO.	PART NO.	DESCRIPTION	QTY.
1	EY226 10851 01	Crankcase with brake (includes 2 - 6 and 37)	1
—	EY226 10701 11	Crankcase without brake (includes 2 - 6 and 37)	1
2	EY227 14201 03	Valve guide	2
3	EY010 50601 31	Stud	2
4	EY031 00600 10	Dowel pin with brake	2
—	EY031 00600 20	Dowel pin without brake	2
5	EY060 02500 10	Ball bearing	2
6	EY044 02501 50	Oil seal	1
7	EY226 11204 01	Gear cover (includes 5 and 6)	1
8	EY227 16001 03	Gasket, gear cover	1
9	EY013 00600 40	Bolt and washer assembly	8
10	EY227 63600 07	Oil drain plug with gasket (includes 26)	2
11	EY227 75001 03	Grommet without brake only	1
12	EY226 13301 13	Cylinder head	1
13	EY226 15001 11	Gasket, cylinder head	1
14	EY011 00800 10	Flange bolt	6
15	EY065 01403 70	Spark plug	1
16	EY226 16001 01	Tappet cover	1
17	EY085 10802 50	Rubber hose	1
18	EY011 00600 20	Flange bolt	2
19	EY227 16006 03	Gasket, tappet cover	1
20	EY226 16101 01	Breather plate	1
21	EY227 16007 03	Gasket, breather plate	1
22	EY226 35201 01	Gasket, exhaust	1
23	EY227 35901 03	Gasket, insulator	1
24	EY226 39212 00	Nut and washer assembly	2
25	EY226 75101 03	Clamp, fuel line	1
26	EY021 11400 20	Gasket, oil drain	1
27	EY226 17001 01	Bolt	2
28	EY226 77510 01	Plug guard	1

*continued on page 4*



## Crankcase and Related Parts for W1-145V (cont.)

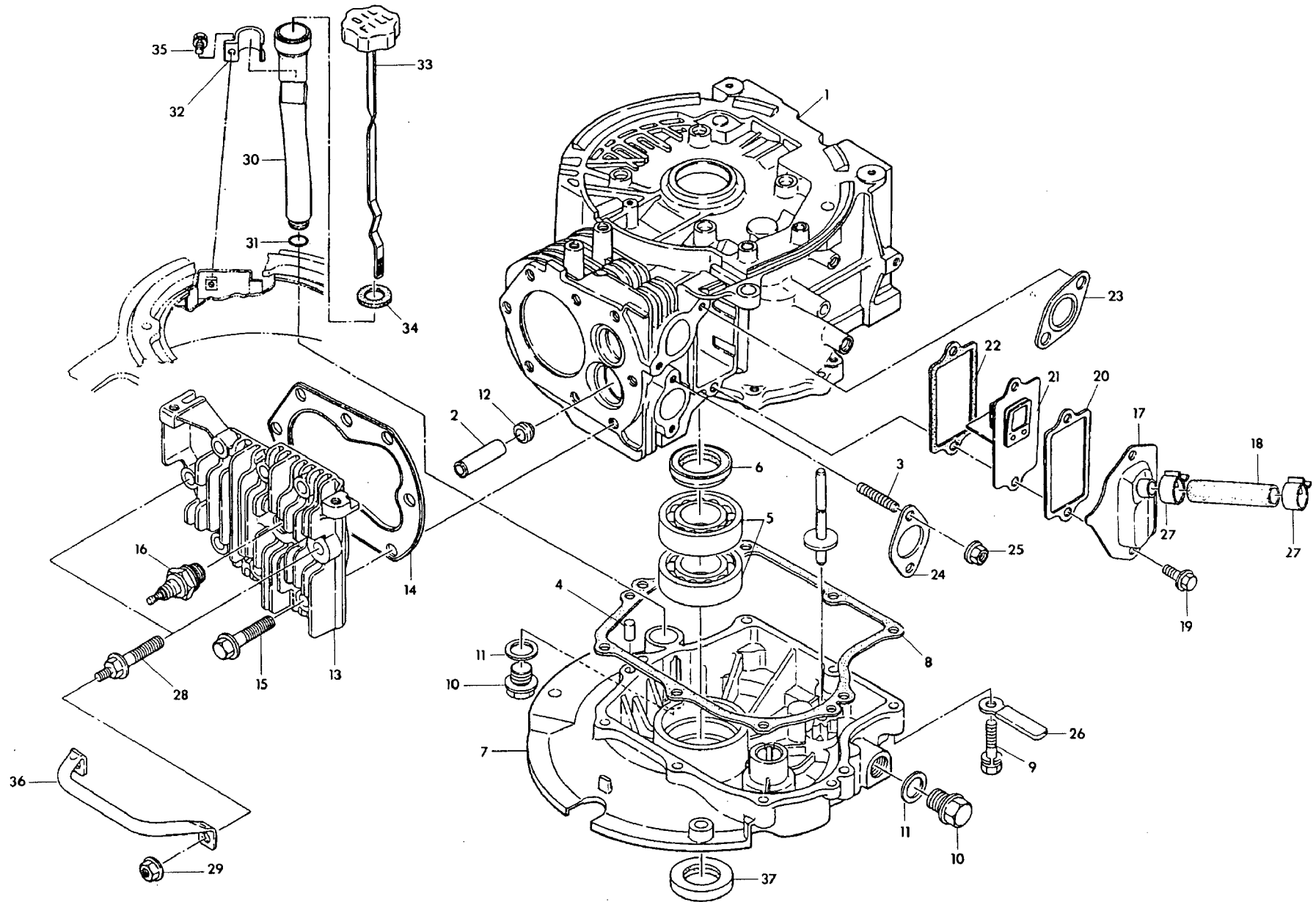
ITEM NO.	PART NO.	DESCRIPTION	QTY.
29	EY002 38060 00	Flange nut	2
30	EY226 63707 03	Oil filler	1
31	EY006 26101 50	O-ring, oil filler	1
32	EY226 63603 01	Dipstick	1
33	EY021 31800 10	Gasket, dipstick	1
34	EY226 67001 03	Clamp, oil filler	1
35	EY001 10061 00	Bolt and washer assembly	1
36	EY056 11200 40	Hose clamp	2
37	EY044 02500 70	Oil seal	1
—	EY226 99006 07	Engine gasket set (includes 8, 13, 19, 21, 22, 23, 26, 31 and 33, and 39 and 44 from page 21) for engines after serial no. 1051283; use part no. EY226 99007 07 for engines before serial no. 10512853.	1



## Crankcase and Related Parts for W1-185V

ITEM NO.	PART NO.	DESCRIPTION	QTY.
1	EY227 10301 21	Crankcase (includes 2 - 6 and 37)	1
2	EY227 14203 03	Valve guide	2
3	EY010 50601 31	Stud	2
4	EY031 00600 20	Dowel pin	2
5	EY060 02500 10	Ball bearing	2
6	EY044 02500 70	Oil seal	1
7	EY226 11204 01	Gear cover (includes 5 and 6)	1
8	EY227 16001 03	Gasket, gear cover	1
9	EY013 00600 40	Bolt and washer assembly	8
10	EY227 63600 07	Oil drain plug with gasket (includes 11)	2
11	EY021 11400 20	Gasket, oil drain plug	2
12	EY227 16301 03	Oil seal, intake valve	1
13	EY227 13301 03	Cylinder head	1
14	EY227 15001 11	Gasket, cylinder head	1
15	EY011 00800 10	Flange bolt	6
16	EY065 01404 60	Spark plug	1
17	EY226 16001 01	Tappet cover	1
18	EY085 10802 50	Rubber hose	1
19	EY011 00600 20	Flange bolt	2
20	EY227 16006 03	Gasket, tappet cover	1
21	EY227 16101 01	Breather plate	1
22	EY227 16007 03	Gasket, breather plate	1
23	EY214 35201 11	Gasket, exhaust	1
24	EY227 35901 03	Gasket, insulator	1
25	EY226 39212 00	Nut and washer assembly	2
26	EY226 75101 03	Clamp, fuel line	1
27	EY056 11200 40	Hose clamp	1
28	EY226 17001 01	Bolt	2

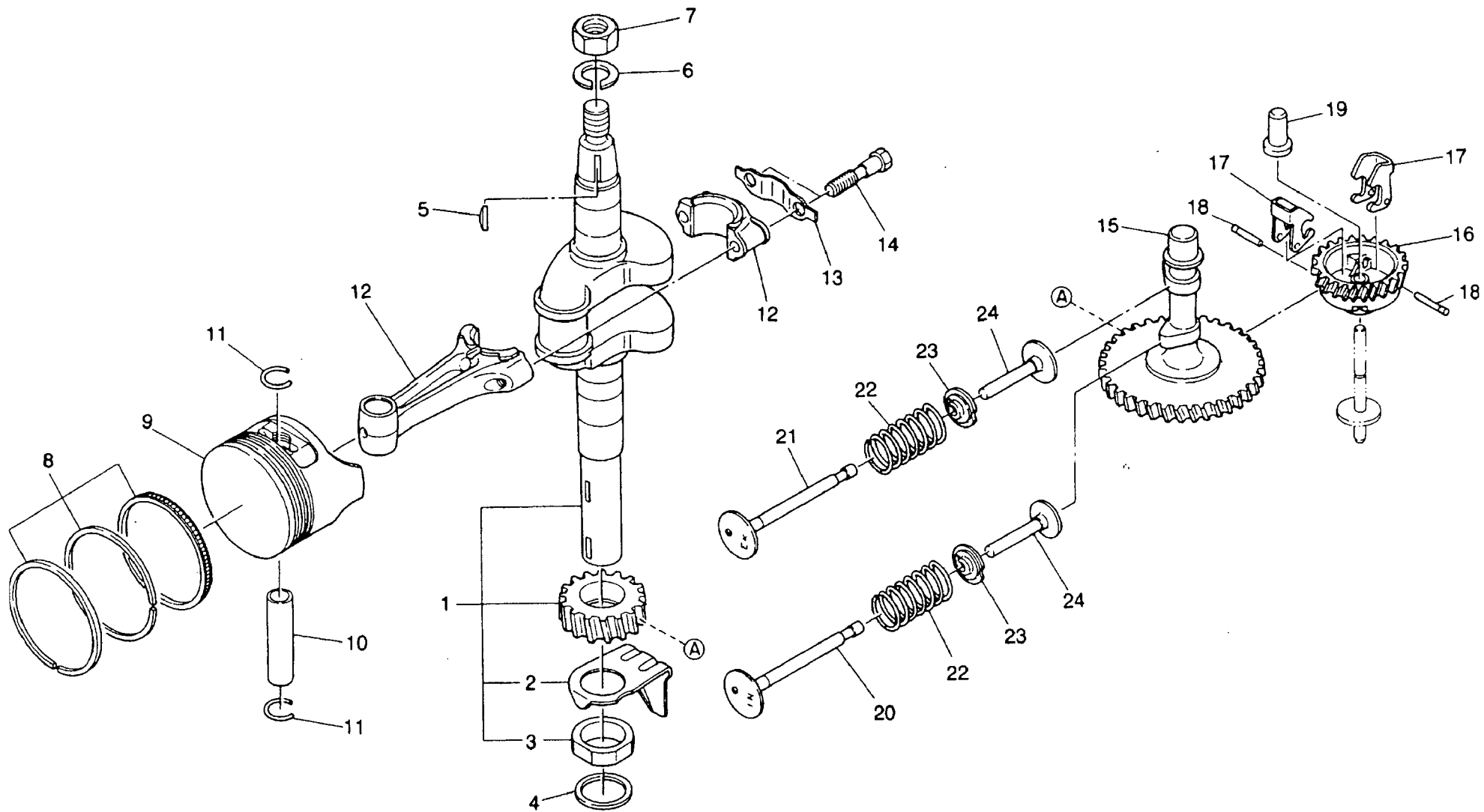
*continued on page 8*





## Crankcase and Related Parts for W1-185V (cont.)

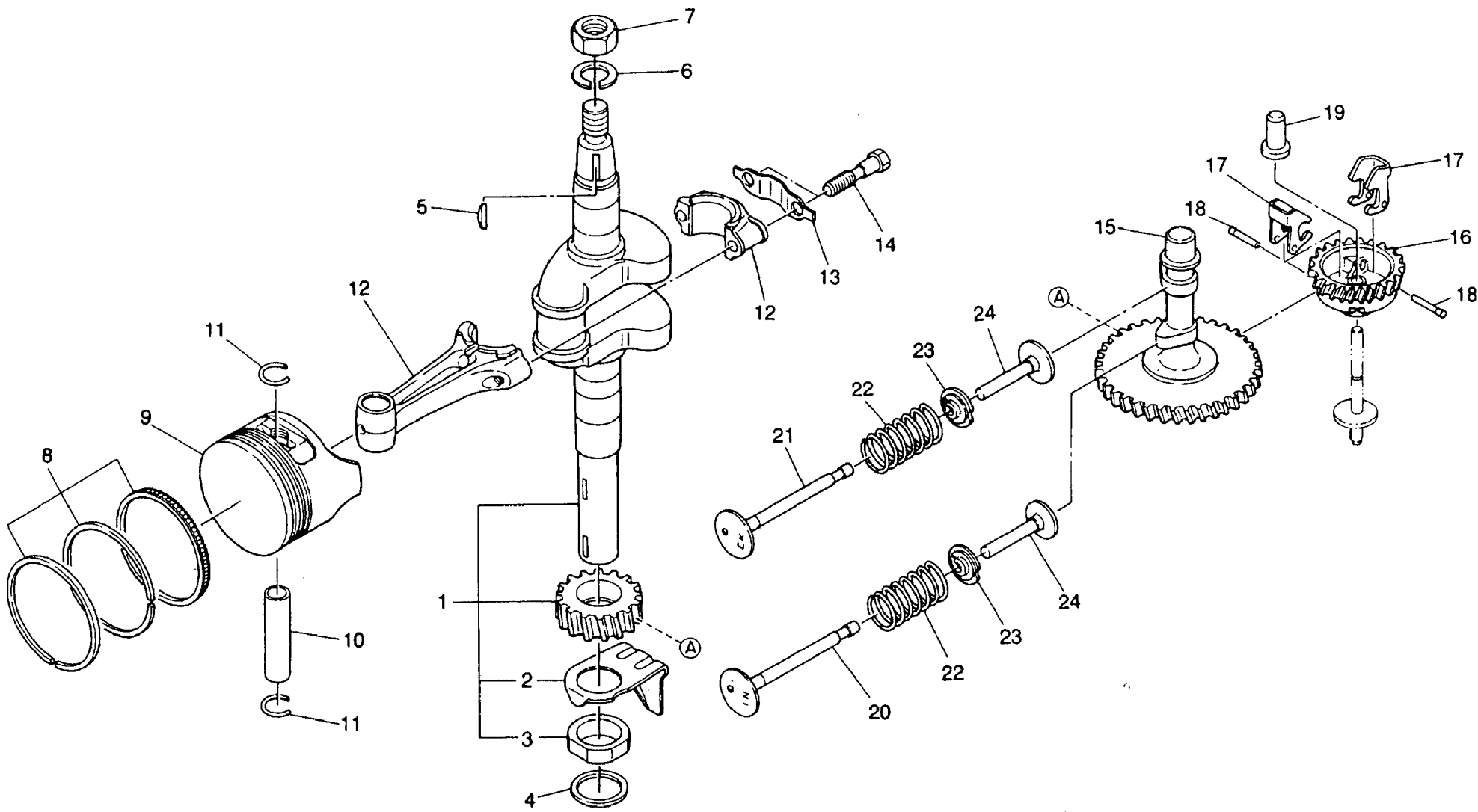
ITEM NO.	PART NO.	DESCRIPTION	QTY.
29	EY002 38060 00	Flange nut	2
30	EY226 63707 03	Oil filler	1
31	EY006 26101 50	O-ring, oil filler	1
32	EY226 67001 03	Clamp, oil filler	1
33	EY226 63602 01	Dipstick	1
34	EY021 31800 10	Gasket, dipstick	1
35	EY001 10061 00	Bolt and washer assembly	1
36	EY226 77510 01	Plug guard	1
37	EY044 02501 50	Oil seal	1
—	EY227 99004 07	Engine gasket set (includes 8, 10, 14, 20, 22 - 24, 31 and 34, and 39 and 44 from page 21)	1



## Crankshaft Assembly

ITEM NO.	PART NO.	DESCRIPTION	QTY.
1	EY226 25001 01	Crankshaft for W1-145V (includes 2 and 3)	1
	EY226 25101 01	Crankshaft for W1-145V without brake (includes 2 and 3)	1
	EY227 25001 01	Crankshaft for W1-185V (includes 2 and 3)	1
2	EY226 23102 03	Oil scraper	1
3	EY226 26001 03	Lock, oil scraper	1
4	EY023 02501 10	Shim (0.6 mm [.024 in.]) select only one	1
	EY023 02501 20	Shim (0.8 mm [.031 in.])	1
	EY023 02501 30	Shim (1.0 mm [.039 in.])	1
5	EY032 30300 10	Woodruff key	1
6	EY003 20140 00	Lock washer, flywheel nut	1
7	EY002 18140 00	Nut, flywheel mounting	1
8	EY226 23501 07	Ring set, standard for W1-145V	1
	EY227 23501 07	Ring set, standard for W1-185V	1
	EY226 23502 07	Ring set (0.25 mm [.010 in.]) for W1-145V	1
	EY227 23502 07	Ring set (0.25 mm [.010 in.]) for W1-185V	1
	EY226 23503 07	Ring set (0.50 mm [.020 in.]) for W1-145V	1
	EY227 23503 07	Ring set (0.50 mm [.020 in.]) for W1-185V	1
9	EY226 23401 03	Piston, standard for W1-145V	1
	EY227 23401 03	Piston, standard for W1-185V	1
	EY226 23402 03	Piston (0.25 mm [.010 in.]) for W1-145V	1
	EY227 23402 03	Piston (0.25 mm [.010 in.]) for W1-185V	1
	EY226 23403 03	Piston (0.50 mm [.020 in.]) for W1-145V	1
	EY227 23403 03	Piston (0.50 mm [.020 in.]) for W1-185V	1

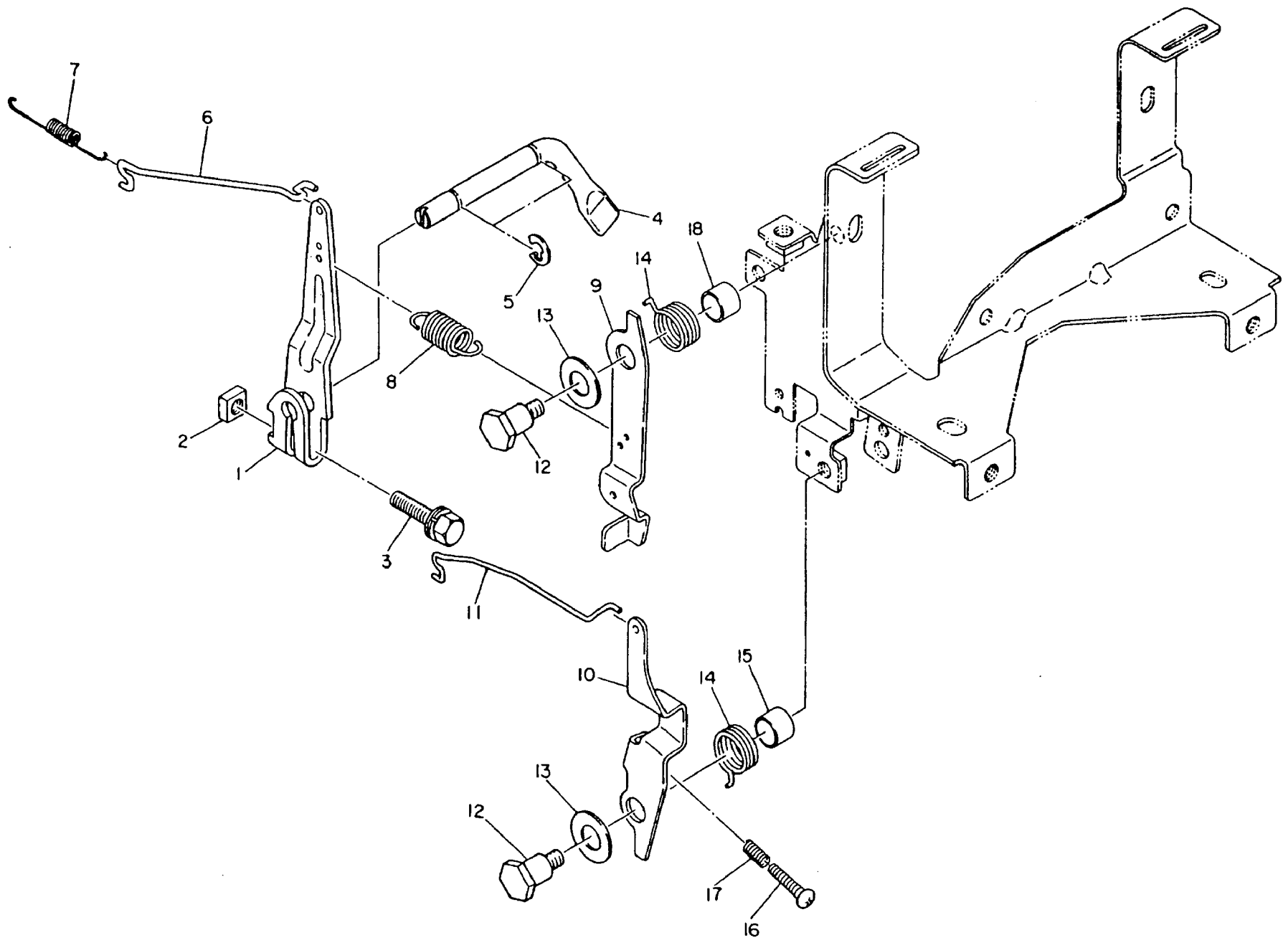
*continued on page 12*



## Crankshaft Assembly (cont.)

ITEM NO.	PART NO.	DESCRIPTION	QTY.
10	EY214 23301 03	Piston pin	1
11	EY056 51400 10	Clip, piston pin	2
12	EY226 22503 00	Connecting rod assembly for W1-145V (includes 13 and 14)	1
	EY227 22503 00	Connecting rod assembly for W1-185V (includes 13 and 14)	1
13	EY205 23201 03	Rod lock washer for W1-145V	1
	EY227 23202 03	Rod lock washer for W1-185V	1
14	EY226 23001 03	Connecting rod bolt for W1-145V	1
	EY227 23001 03	Connecting rod bolt for W1-185V	1
15	EY226 31701 13	Camshaft for W1-145V	1
	EY227 31701 03	Camshaft for W1-185V	1
16	EY226 45201 01	Governor gear (includes 17 - 19)	1
17	*_____	Flyweight	2
18	*_____	Pin, flyweight	2
19	EY205 41901 03	Governor sleeve	1
20	EY226 33401 03	Intake valve for W1-145V	1
	EY227 33402 03	Intake valve for W1-185V	1
21	EY226 33501 03	Exhaust valve for W1-145V	1
	EY227 33501 03	Exhaust valve for W1-185V	1
22	EY227 33601 03	Valve spring	2
23	EY227 33701 03	Spring retainer	2
24	EY226 33301 03	Tappet for W1-145V	2
	EY227 33301 03	Tappet for W1-185V	2

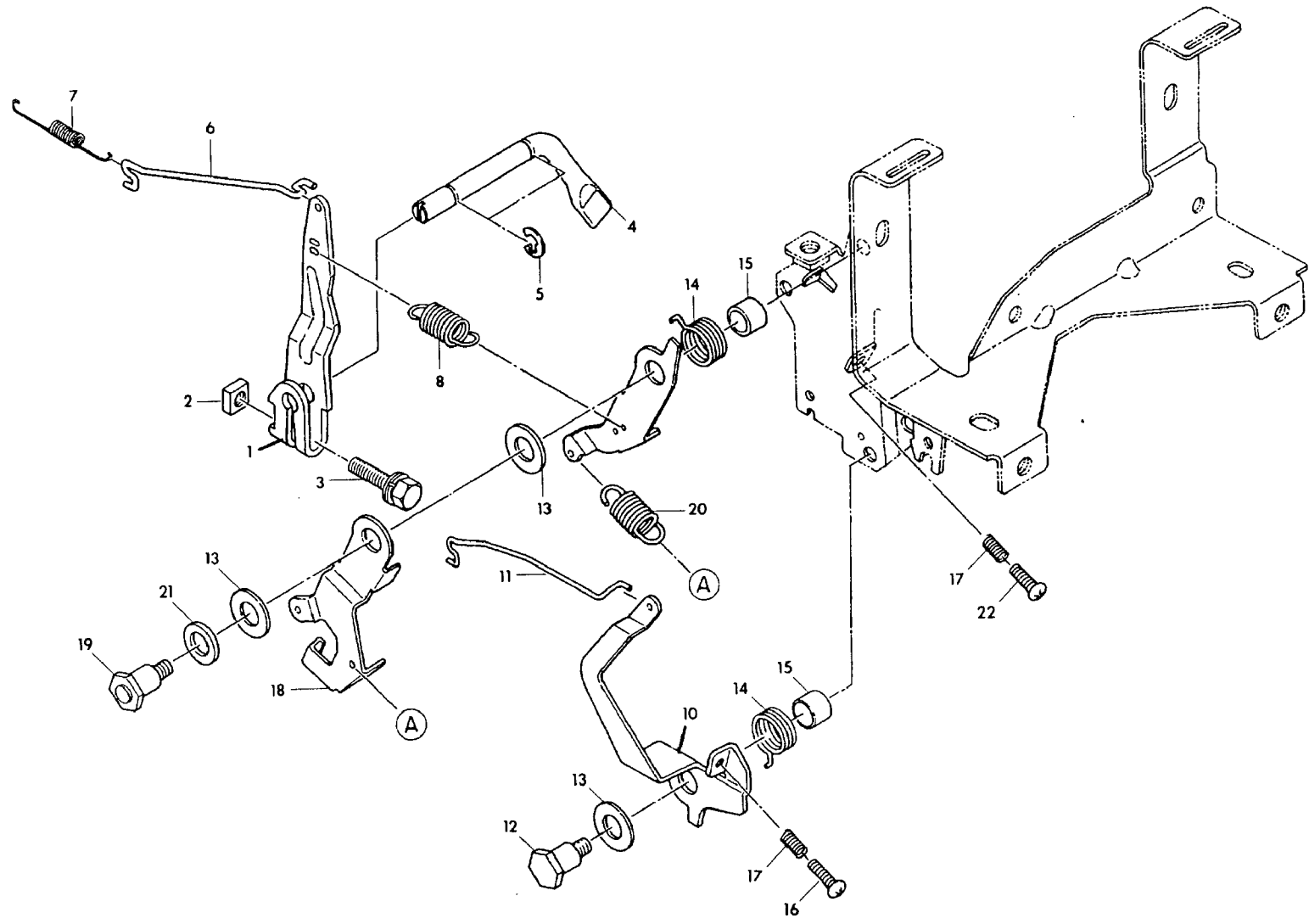
\*Not serviced separately.



**Governor: W1-145V Engines Before and Including Serial No. 1051784,  
and W1-185V Engines Before and Including Serial No. 1042819**

ITEM NO.	PART NO.	DESCRIPTION	QTY.
1	*_____	Governor lever	1
2	EY018 60600 20	Nut	1
3	EY001 14062 50	Bolt and washer assembly	1
4	EY227 42201 03	Governor shaft	1
5	EY003 13060 00	Clip	2
6	*_____	Governor rod	1
7	*_____	Rod spring	1
8	EY227 42504 01	Governor spring	1
9	EY226 43309 01	Speed control	1
10	EY226 43802 01	Choke lever	1
11	EY226 45106 11	Choke rod for W1-145V	1
	EY227 45102 11	Choke rod for W1-185V	1
12	EY226 43103 01	Pivot pin	2
13	EY021 71000 20	Friction washer	2
14	EY226 45003 01	Return spring	2
15	EY023 01000 40	Spacer	1
16	EY004 31041 60	Screw	1
17	EY230 49003 01	Spring, adjuster	1
18	EY023 01000 70	Spacer	1
—	EY226 42302 07	Governor lever and shaft kit for W1-145V (includes 1 - 5)	1
—	EY227 42302 07	Governor lever and shaft kit for W1-185V (includes 1 - 5)	1
—	EY226 4250607	Governor rod and spring kit for W1-145V and W1-185V (includes 6, 7)	1

\*Not serviced separately.

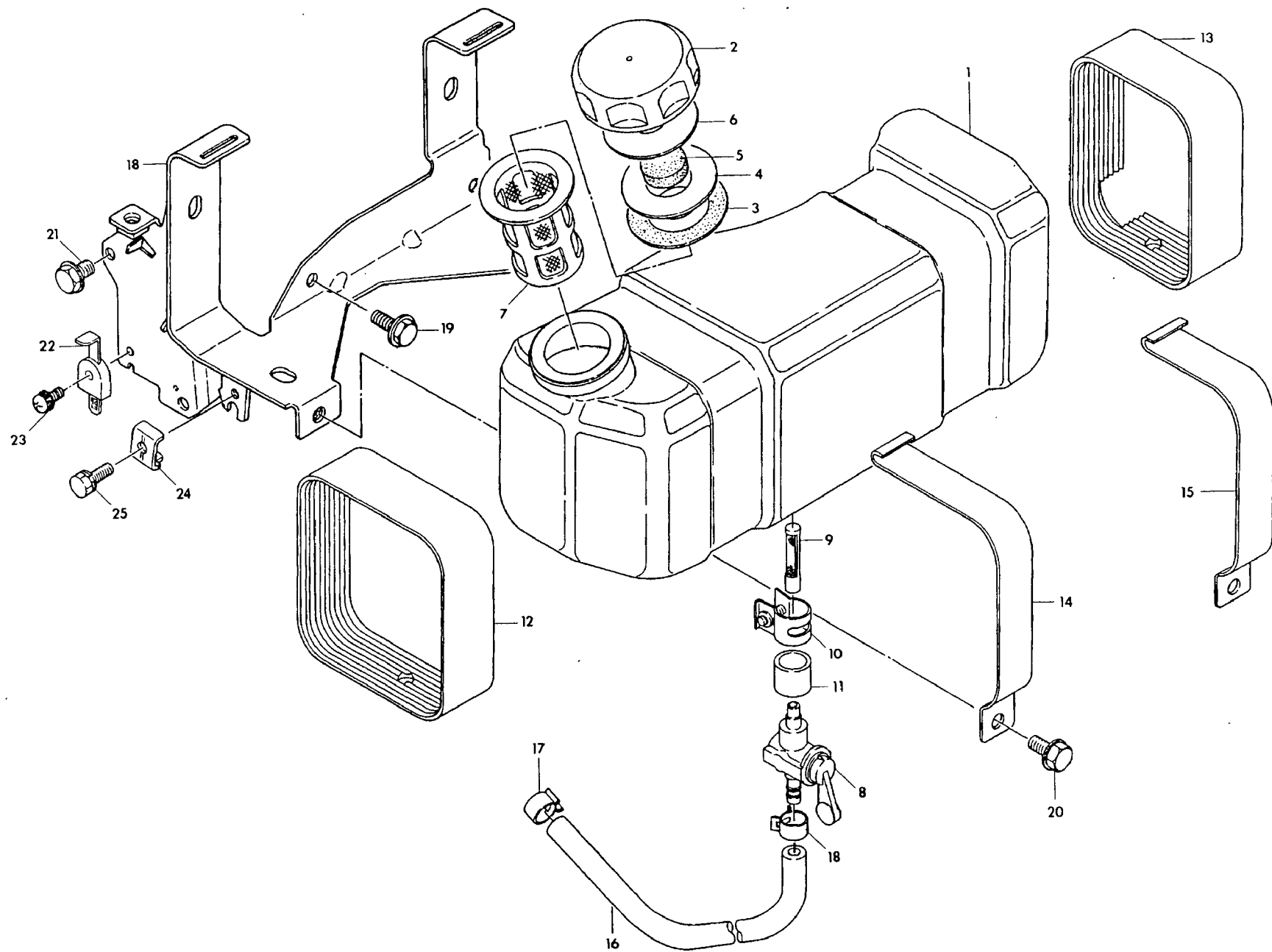




**Governor: W1-145V Engines After and Including Serial No. 1052009,  
and W1-185V Engines After and Including Serial No. 1042830**

ITEM NO.	PART NO.	DESCRIPTION	QTY.
1	*	Governor lever	1
2	EY018 60600 20	Nut	1
3	EY001 14062 50	Bolt and washer assembly	1
4	EY227 42201 03	Governor shaft	1
5	EY003 13060 00	Clip	2
6	EY226 42701 01	Governor rod	1
7	EY226 42801 01	Rod spring	1
8	EY227 42504 21	Governor spring	1
9	EY226 43311 01	Speed control	1
10	EY226 43803 01	Choke lever	1
11	EY226 45106 11	Choke rod for W1-145V	1
	EY227 45102 11	Choke rod for W1-185V	1
12	EY226 43103 01	Link pivot	1
13	EY021 71000 20	Friction washer	3
14	EY226 45003 01	Return spring	2
15	EY023 01000 70	Spacer	2
16	EY004 31041 60	Screw	1
17	EY230 49003 01	Spring, adjuster	2
18	EY226 43310 01	Throttle control	1
19	EY226 43105 01	Pivot bolt, throttle	1
20	EY226 45006 13	Connecting spring	1
21	EY003 10100 00	Washer	1
22	EY004 31042 00	Screw	1
—	EY226 42303 07	Governor lever and shaft kit for W1-145V (includes 1 - 5)	1
—	EY226 42304 07	Governor lever and shaft kit for W1-185V (includes 1 - 5)	1

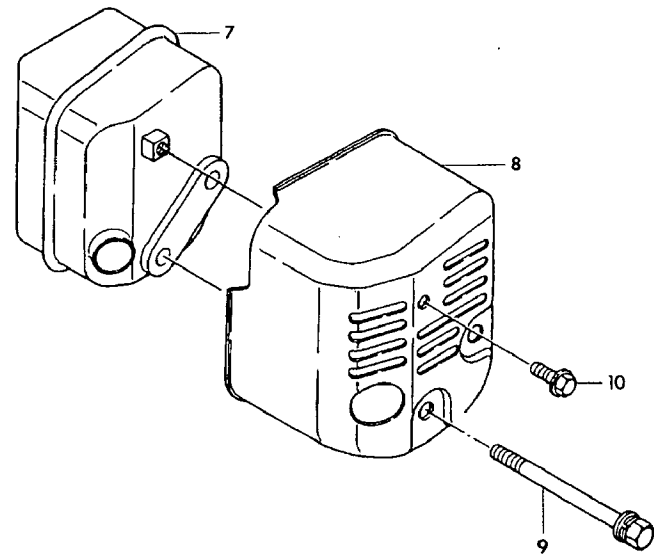
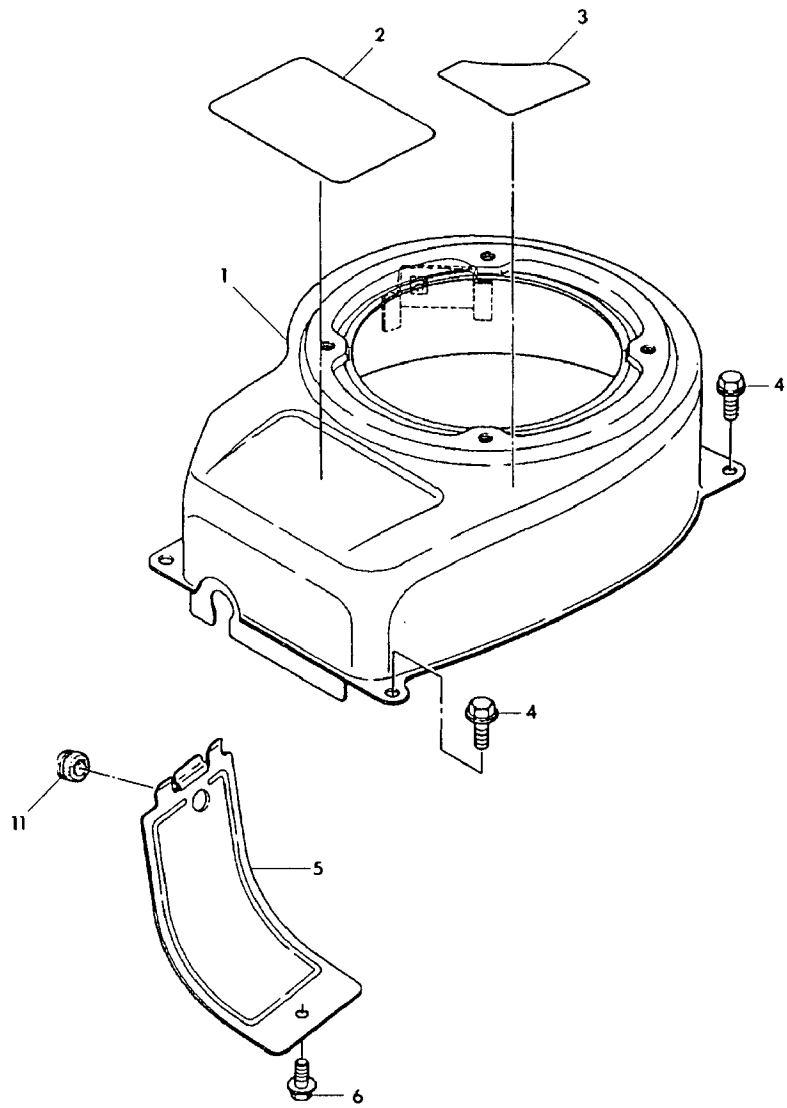
\*Not serviced separately.



## Fuel Tank

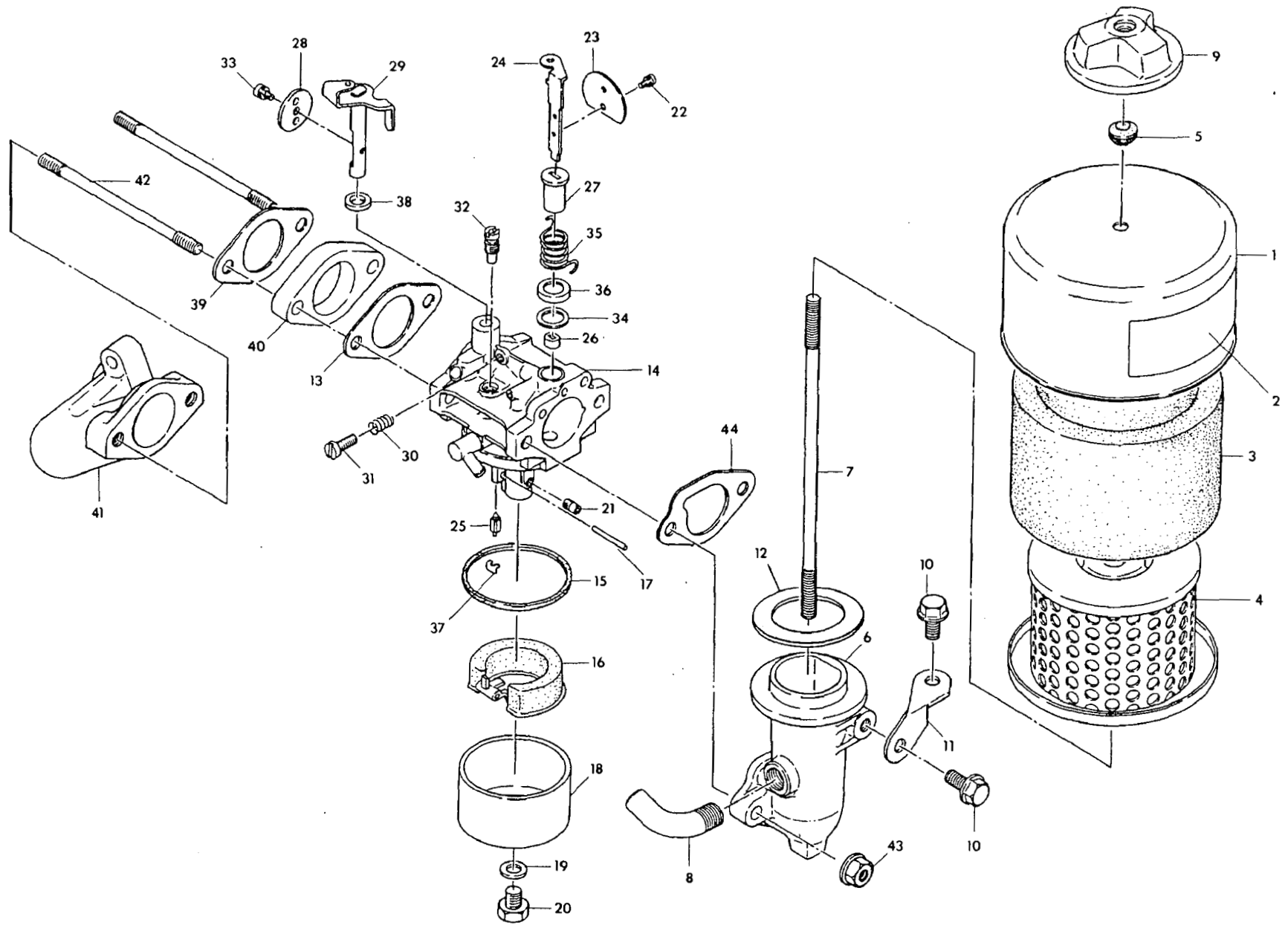
ITEM NO.	PART NO.	DESCRIPTION	QTY.
1	EY226 61401 01	Fuel tank (includes item 2)	1
2	EY043 04400 70	Fuel tank cap with gasket (includes 3 - 6)	1
3	EY021 02600 22	Gasket, fuel tank cap	1
4	*_____	Inner cap	1
5	EY084 12600 20	Sponge	1
6	EY023 24200 12	Partition plate	1
7	EY064 14200 20	Fuel filter	1
8	EY064 20044 02	Fuel strainer assembly	1
9	EY064 20044 20	Filter, fuel strainer	1
10	EY064 20044 61	Clamp, strainer support	1
11	EY064 20044 90	Sleeve, rubber strainer support	1
12	EY226 65105 03	Band, tank support, large	1
13	EY226 65106 03	Band, tank support, small	1
14	EY226 65011 01	Strap, tank band, long	1
15	EY226 65012 01	Strap, tank band, short	1
—	EY226 63623 01	Fuel line assembly (includes 16 and 17)	1
16	*_____	Hose	1
17	EY056 11000 30	Hose clamp	2
18	EY226 62002 01	Bracket for W1-145V before and including serial no. 1051784	1
	EY226 62003 01	Bracket for W1-145V after and including serial no. 1052009	1
	EY227 62114 01	Bracket for W1-185V before and including serial no. 1042819	1
	EY227 62115 01	Bracket for W1-185V after and including serial no. 1042830	1
19	EY015 20600 10	Bolt, bracket mounting	2
20	EY011 00600 20	Bolt, fuel tank strap	2
21	EY011 00600 10	Bolt, bracket mounting	2
22	EY226 72704 13	Stop switch	1
23	EY004 35041 20	Screw and washer assembly, stop switch	1
24	EY235 43901 01	Clamp	1
25	EY004 36051 60	Screw and washer assembly	1

\*Not serviced separately.



## Air Shroud

ITEM NO.	PART NO.	DESCRIPTION	QTY.
1	EY226 52322 01	Air shroud for W1-145V with brake	1
	EY226 52323 01	Air shroud for W1-145V without brake	1
	EY227 52322 01	Air shroud for W1-184V	1
2	EY226 91633 03	Label for W1-145V with brake	1
	EY226 91635 03	Label for W1-145V without brake	1
	EY227 91654 03	Label for W1-185V	1
3	EY073 20033 10	Warning label	1
4	EY011 00600 20	Screw, flywheel shroud	4
5	EY226 52603 03	Cylinder baffle for W1-145V	1
	EY227 52604 03	Cylinder baffle for W1-185V	1
6	EY011 00600 10	Screw, cylinder baffle	1
7	EY226 31201 11	Muffler for W1-145V	1
	EY227 31101 01	Muffler for W1-185V	1
8	EY226 34221 01	Cover, muffler for W1-145V	1
	EY227 34502 01	Cover, muffler for W1-185V	1
9	EY013 00801 00	Bolt and washer assembly	2
10	EY011 00600 10	Flange bolt	1
11	EY024 10300 30	Grommet	1

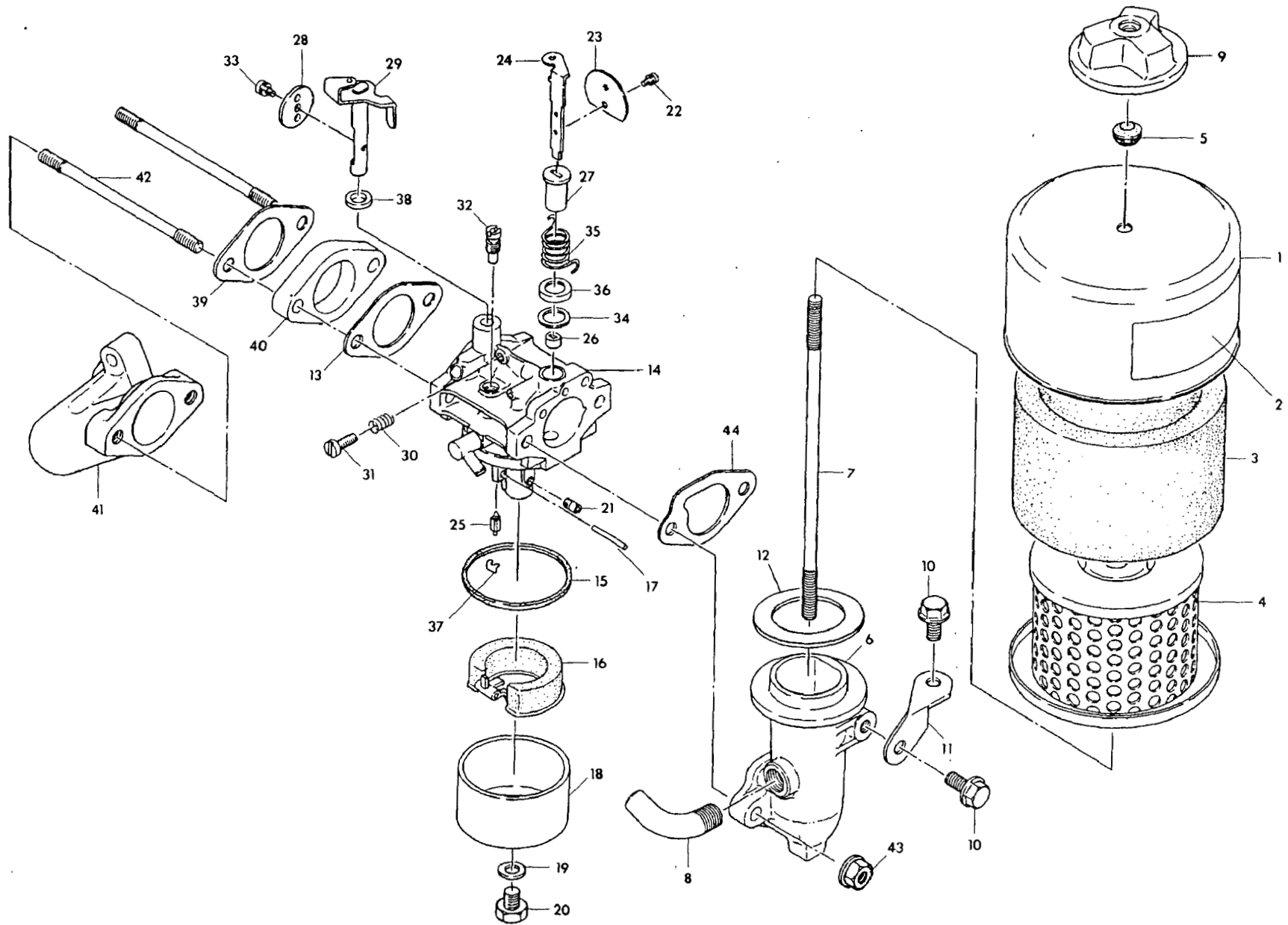


## Air Cleaner, Carburetor, Manifold

ITEM NO.	PART NO.	DESCRIPTION	QTY.
—	EY227 32806 00	Air cleaner assembly (includes 1 - 5, 9)	1
1	* _____	Cover, air cleaner	1
2	EY227 32701 08	Label, air cleaner maintenance	1
—	EY227 32803 07	Element set, air cleaner (includes 3, 4)	1
3	EY227 32613 08	Element, foam only	1
4	* _____	Element, air cleaner	1
5	EY227 32690 28	Grommet <i>227-32690-18</i>	1
6	•EY227 33207 01	Elbow (includes 7, 8)	1
	ΔEY227 33207 11	Elbow (includes 7, 8)	1
7	EY010 50602 20	Stud, cover mounting	1
8	EY226 39201 01	Pipe (union)	1
9	EY227 36524 03	Cap nut	1
10	EY011 00600 20	Flange bolt	2
11	EY227 36521 11	Support, elbow	1
12	EY227 32690 08	Gasket, rubber <i>227-32680-08</i>	1
13	•EY227 35901 03	Gasket	1
	ΔEY227 35903 03	Gasket	1
14	•EY226 62406 00	Carburetor for W1-145V	1
	ΔEY226 62407 00	Carburetor for W1-145V	1
	•EY227 62406 00	Carburetor for W1-185V	1
	ΔEY227 62407 00	Carburetor for W1-185V	1
15	EY214 62540 08	Packing, float chamber	1
16	EY226 62506 08	Float assembly	1
17	EY214 62515 08	Float pin	1
18	EY214 62551 08	Float chamber body	1
19	EY214 62450 08	Packing	1
20	EY214 62451 08	Bolt	1
21	EY226 62400 08	Main jet for W1-145V	1
	EY227 62400 08	Main jet for W1-185V	1

*226 6240517 carb k.t*

*continued on page 24*





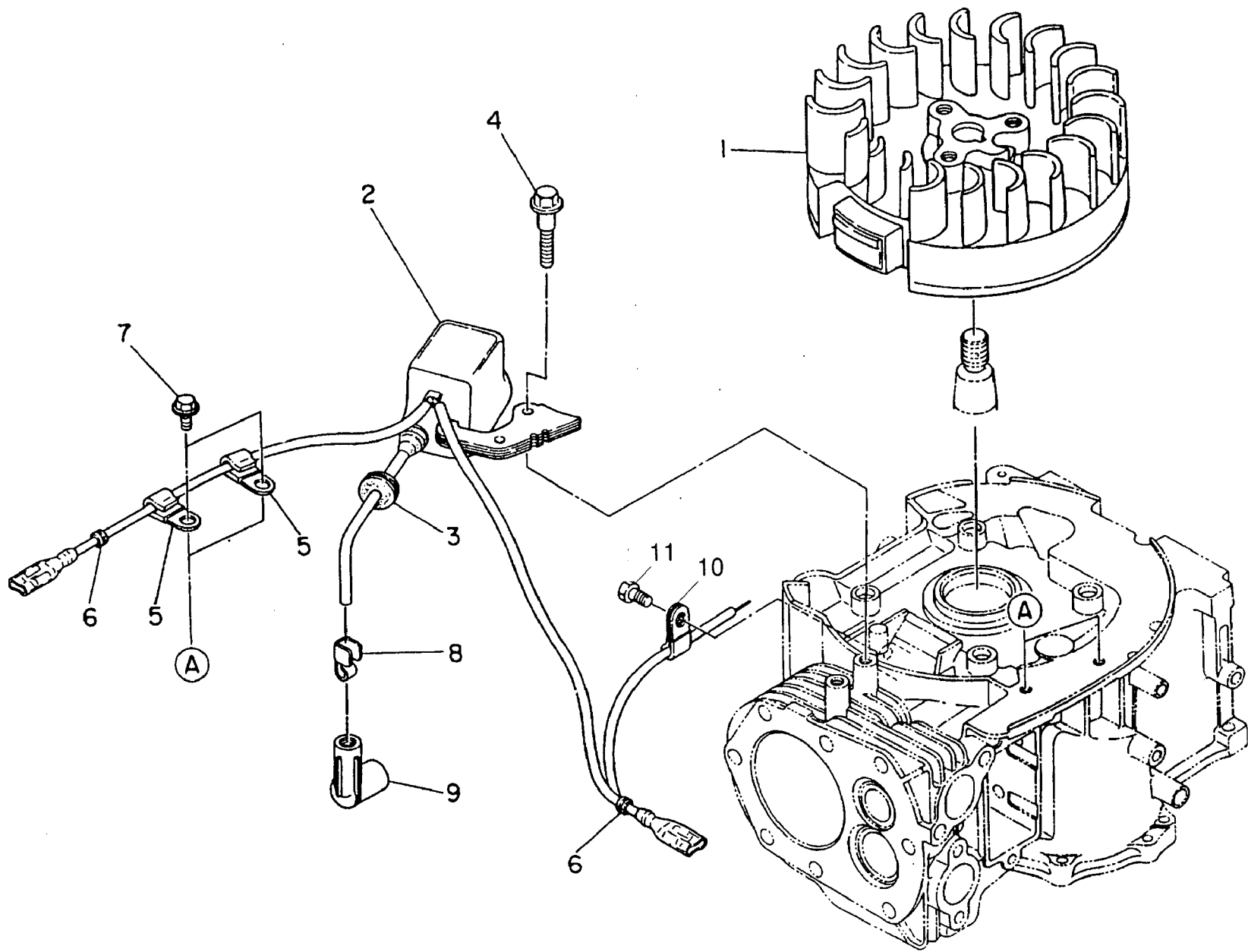
## Air Cleaner, Carburetor, Manifold (cont.)

ITEM NO.	PART NO.	DESCRIPTION	QTY.
22	EY226 62351 08	Screw	2
23	EY226 62525 08	Choke valve	1
24	EY226 62572 08	Choke lever	1
25	EY157 62305 08	Needle valve assembly	1
26	EY226 62550 08	Ring	1
27	EY226 62555 08	Ring	1
28	EY226 62535 08	Throttle valve for W1-145V	1
	EY106 62538 08	Throttle valve for W1-185V	1
29	EY226 62536 08	Shaft assembly	1
30	EY209 62445 08	Spring	1
31	EY226 62352 08	Screw	1
32	EY207 62420 08	Pilot jet for W1-145V	1
	EY227 62420 08	Pilot jet for W1-185V	1
33	EY150 62356 08	Screw	1
34	EY226 62703 08	Seal	1
35	EY226 62541 08	Spring	1
36	EY226 62700 08	Cap	1
—	•EY226 62702 08	Hose	1
37	EY226 62701 08	Clip	1
38	EY106 62392 18	Seal	1
39	EY227 35902 03	Gasket, insulator	2
40	EY227 32901 03	Insulator	1
41	EY226 34801 11	Intake manifold for W1-145V (includes 42)	1
—	EY227 33101 11	Intake manifold for W1-185V	1
42	EY010 50601 40	Stud	2
43	EY226 39212 00	Nut and washer assembly	2
44	EY227 35903 00	Gasket, insulator	1

**\*Not serviced separately.**

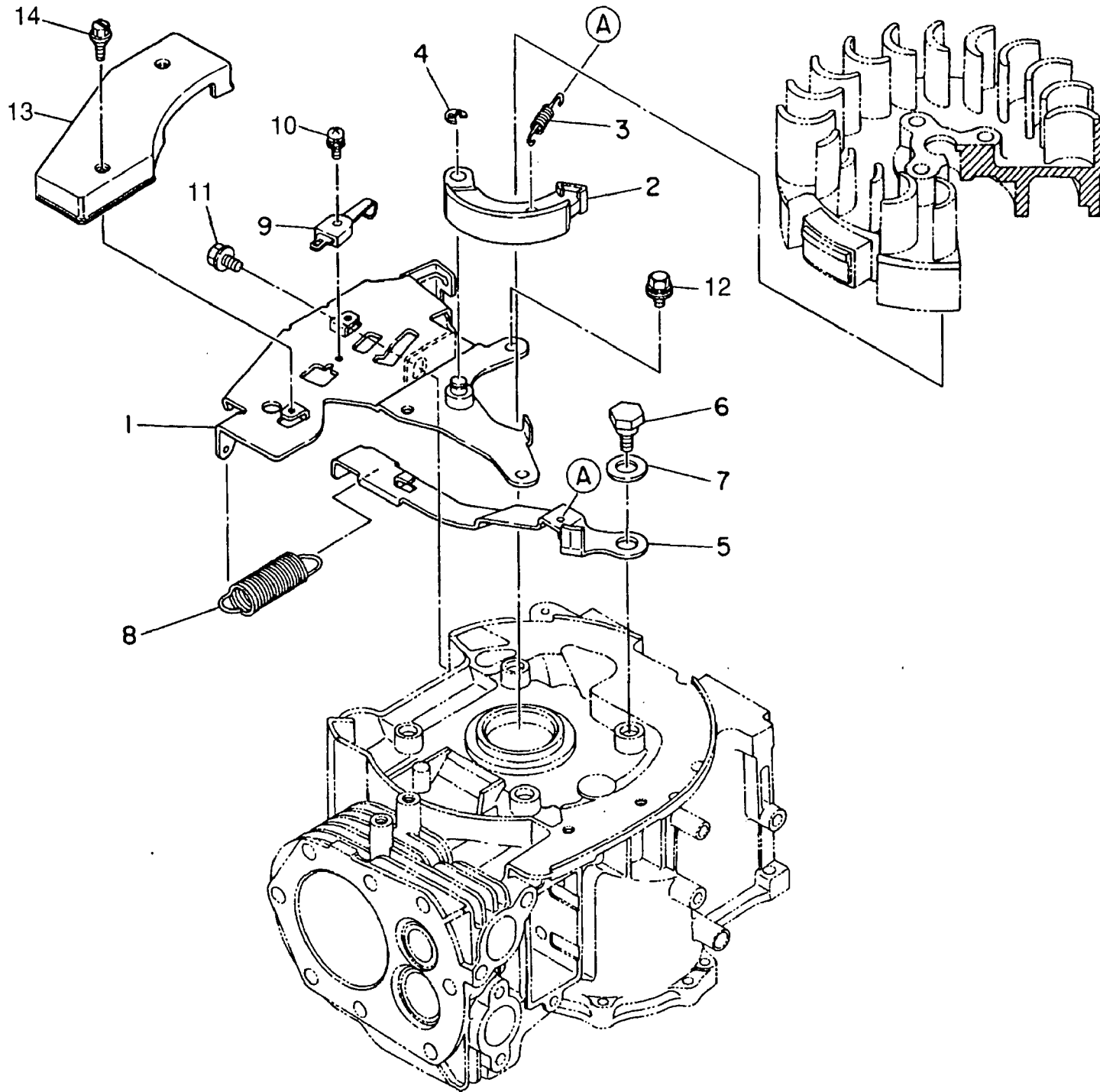
•For W1-145V engines before and including serial no. 1051784, and for W1-185V engines before and including serial no. 1042819.

ΔFor W1-145V engines after and including serial no. 1052009, and for W1-185V engines after and including serial no. 1042830.



## Flywheel, Ignition Group

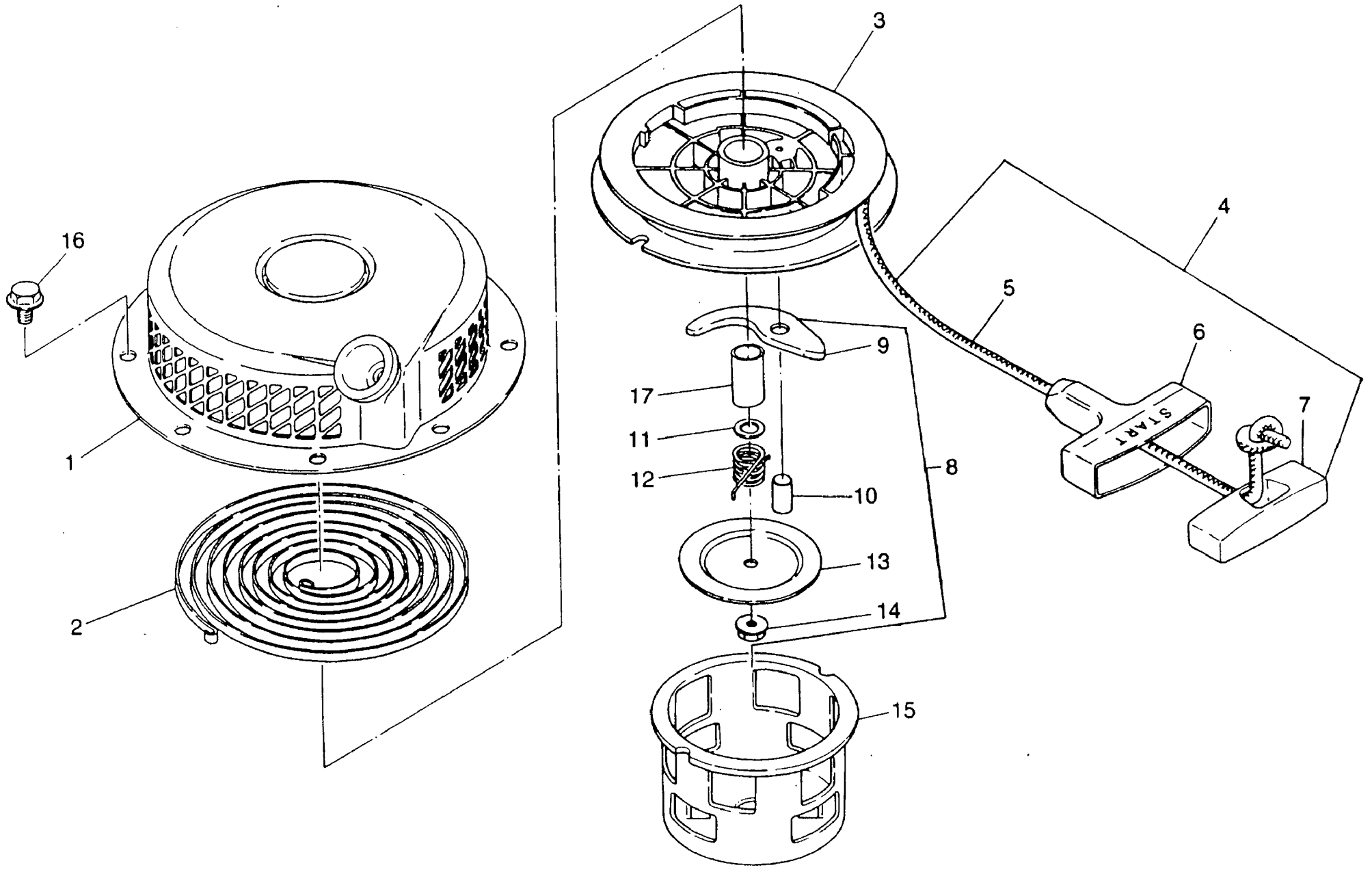
ITEM NO.	PART NO.	DESCRIPTION	QTY.
1	EY226 70123 08	Flywheel for W1-145V with brake	1
—	EY226 70120 18	Flywheel for W1-145V without brake	1
—	EY227 70120 08	Flywheel for W1-185V	1
2	EY226 70142 28	Ignition coil for W1-145V with brake	1
—	EY226 70144 18	Ignition coil for W1-145V without brake	1
—	EY227 70143 28	Ignition coil for W1-185V	1
3	EY226 70246 08	Grommet	1
4	EY011 00601 21	Flange bolt	2
5	EY214 79006 01	Clamp, ground wire	1
6	EY226 70246 08	Grommet, spark plug wire	2
7	EY011 00600 10	Flange bolt	2
8	EY065 50001 00	Terminal, spark plug wire	1
9	EY230 75101 13	Cap, spark plug	1
10	EY056 60500 10	Clamp	1
11	EY001 65081 20	Bolt	1



## Flywheel Brake Assembly

ITEM NO.	PART NO.	DESCRIPTION	QTY.
—	EY226 86008 10	Flywheel brake assembly (includes 1 - 8)	1
—	EY226 86020 11	Brake holder assembly	1
1	*—————	Brake holder	1
2	EY226 86006 01	Brake shoe	1
3	EY226 86101 01	Return spring	1
4	EY003 13060 00	Clip	1
5	EY226 86025 01	Control lever	1
6	EY226 86026 01	Pivot bolt	1
7	EY020 01201 11	Shim (0.4mm [.016 in.])	1
8	EY226 86105 01	Brake spring	1
9	EY226 72706 01	Stop switch	1
10	EY004 37041 20	Screw and washer assembly	1
11	EY001 11081 60	Bolt and washer assembly	1
12	EY013 00601 40	Bolt and washer assembly	3
13	EY226 77601 13	Cover, stop switch	1
14	EY010 00400 50	Bolt, switch cover	2

\*Not serviced separately.



## Recoil Start

ITEM NO.	PART NO.	DESCRIPTION	QTY.
—	EY226 50915 10	Recoil starter assembly for W1-145V (includes 1 - 13, 17)	1
—	EY227 50406 00	Recoil starter assembly for W1-185V (includes 1 - 13, 17)	1
1	*_____	Housing, recoil	1
2	EY215 50515 08	Power spring	1
3	EY226 50121 08	Reel	1
4	EY226 50108 08	Rope assembly (includes 5 and 7)	1
5	*_____	Rope	1
6	*_____	Handle	1
7	*_____	Reinforcement, handle	1
8	EY227 50102 07	Hardware kit, recoil starter (includes 9 - 14)	1
9	*_____	Ratchet	1
10	*_____	Ratchet pin	1
11	*_____	Thrust washer	1
12	*_____	Friction spring	1
13	*_____	Friction plate	1
14	*_____	Nut	1
15	EY215 50545 08	Pulley, starting for W1-145V	1
	EY227 50147 08	Pulley, starting for W1-185V	1
16	EY011 00600 10	Screw, recoil mounting	4
17	EY215 50550 08	Bushing	1

\*Not serviced separately.