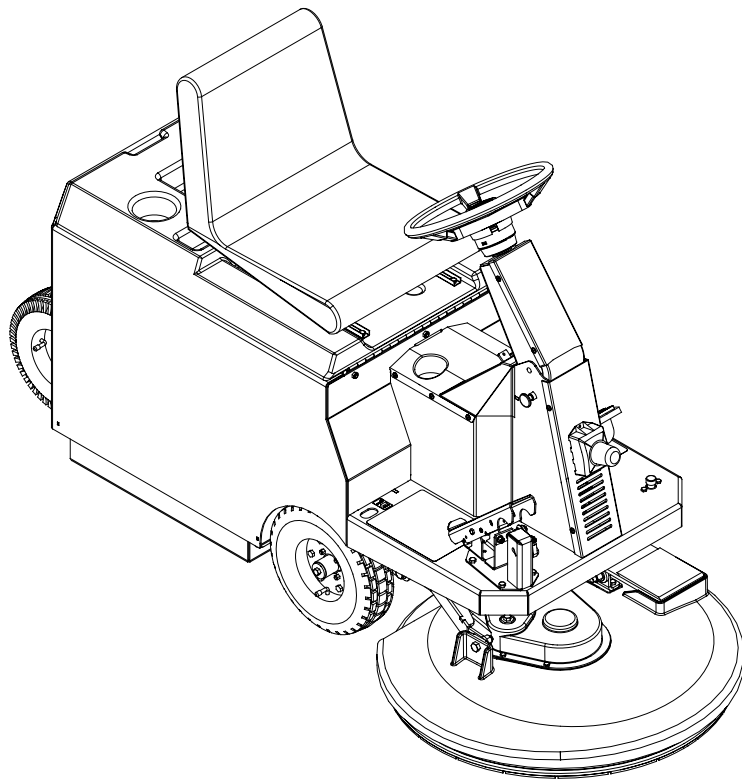
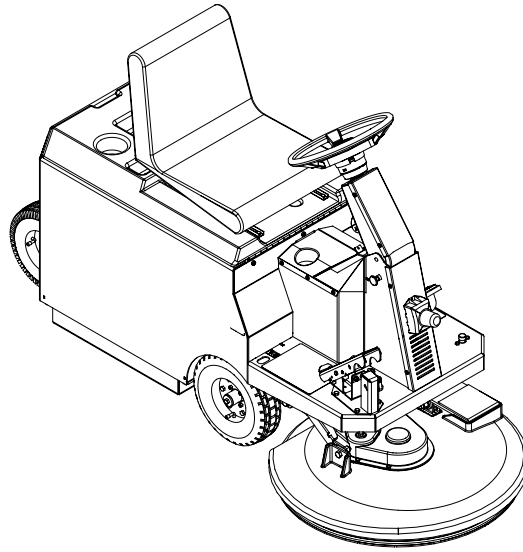


Whirlamatic™ 2700

BHS 7014



PARTS LIST
Advance MODEL 56420000
Nilfisk MODEL 56420161

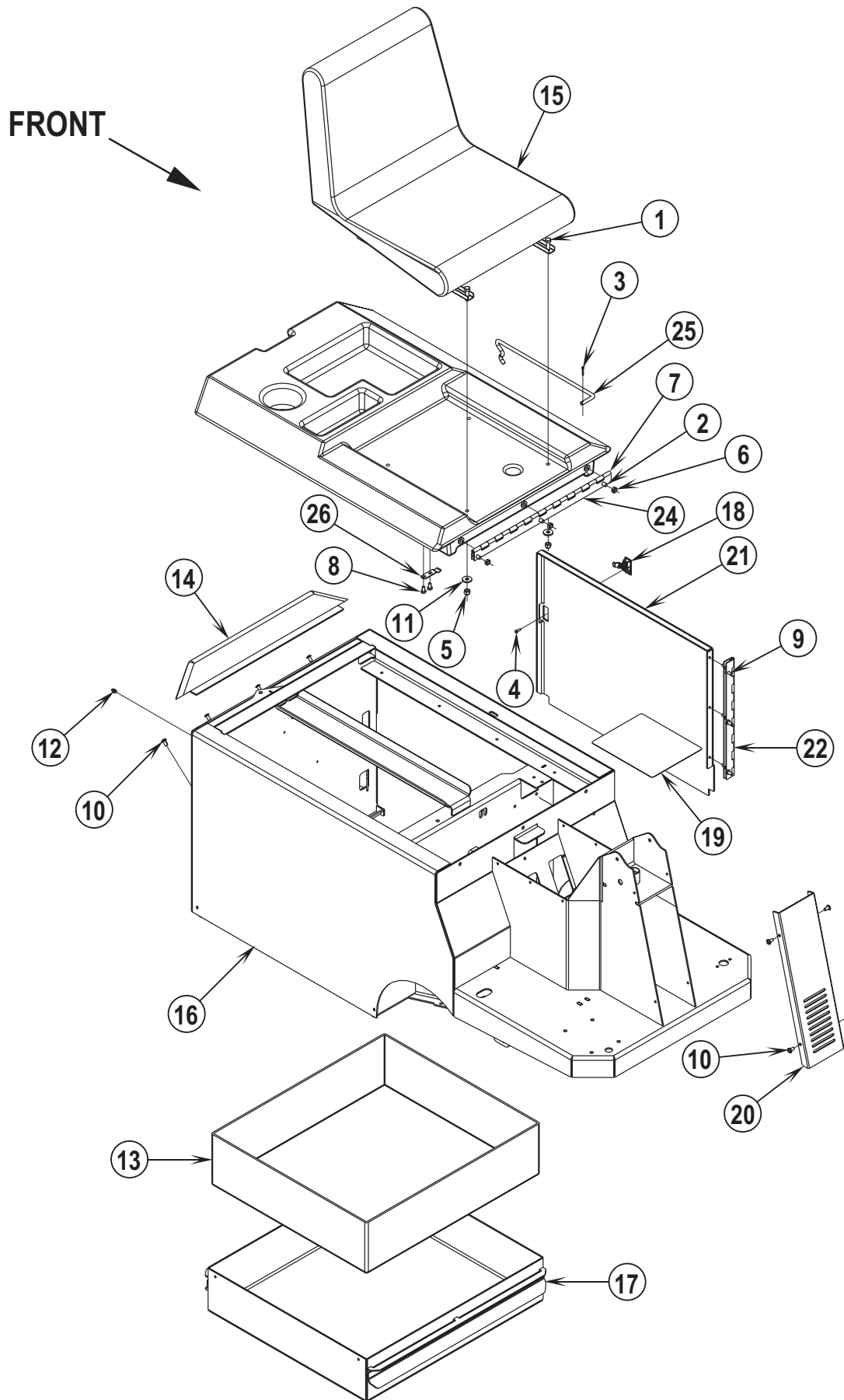


DESCRIPTION	PAGE
Chassis System	D-5.3.1-3
Steering System-1	D-5.3.1-5
Steering System-2	D-5.3.1-7
Control System	D-5.3.1-9
Traction Drive System	D-5.3.1-11
Pad Drive System	D-5.3.1-13
Decal System	D-5.3.1-15
Electrical System	D-5.3.1-17
Wiring Diagram (before SN 1507059)	D-5.3.1-19
Wiring Diagram (after SN 1507058)	D-5.3.1-21
Recommended Dealer Stock Replacement Parts	D-5.3.1-22

WHEN ORDERING PARTS

- * Use the 8 digit numbers from the "Ref. No." columns in this parts list.
- * Specify the model and serial number of the machine.
- * Use the space below to record the model and serial number for future reference.

Model _____ Serial No. _____



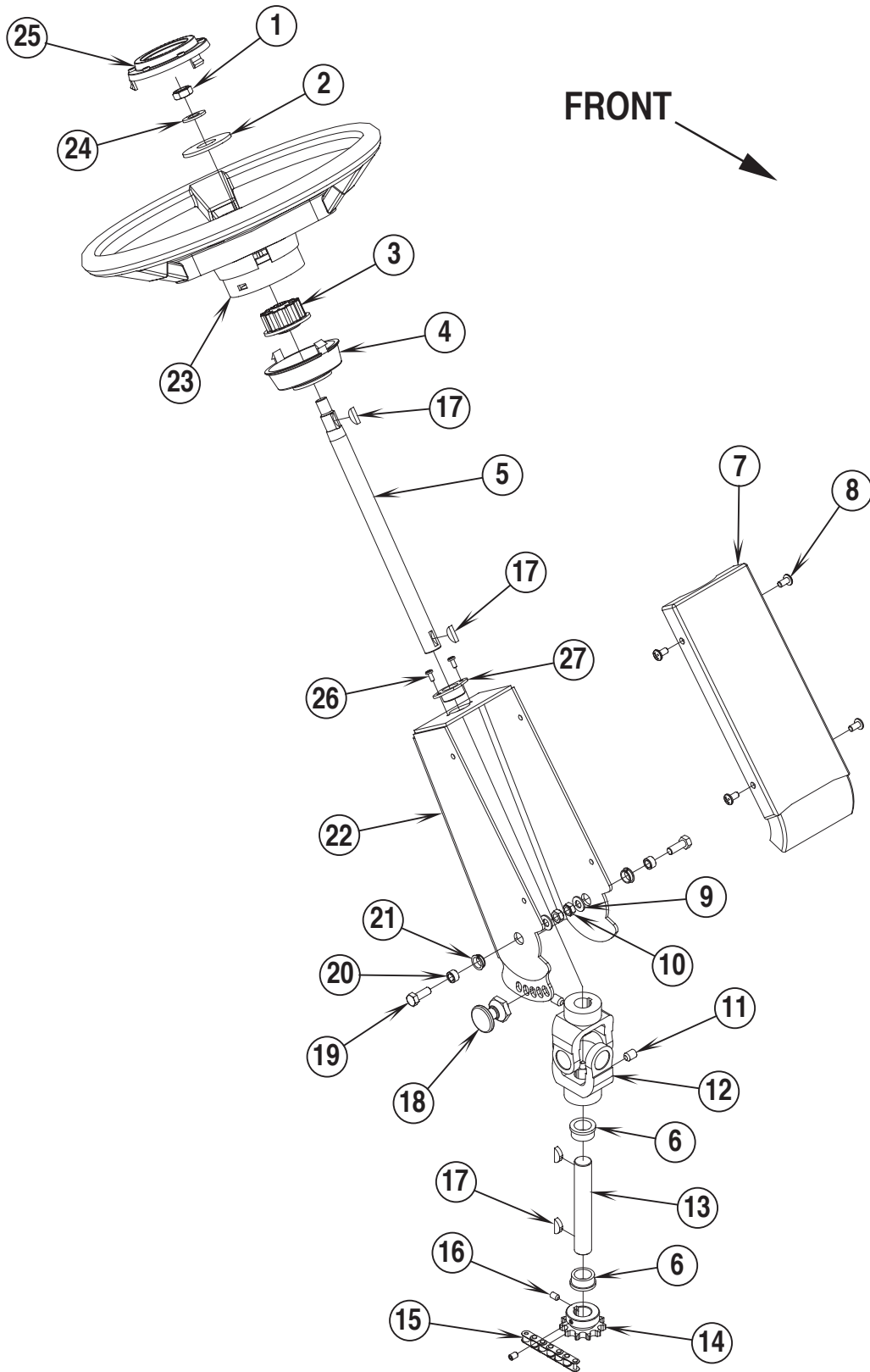
98-3	CHASSIS SYSTEM	BOOK D		
01-9	Whirlamatic™ 2700 / BHS 7014	D	5.3.1	3

Item	Ref. No.	Qty	Description
1	56001834	4	Scr, Hex Hd 5/16-18 x 1.25
2	56001862	3	Scr, Hex Hd 5/16-18 x .50
3	56002166	1	Pin, Cotter 3/32 x 3/4
4	56002438	1	Scr, Hex Thd Form 8-32 x .50
5	56002701	4	Nut, Hex Nyl Loc 5/16-18
6	56002826	3	Nut, Hex Nyl Loc-Thin 5/16-18
7	56002923	3	Scr, Hex Hd Loc 5/16-18 x .50
8	56003039	2	Scr, Hex Hd Loc 1/4-20 x .50
9	56009033	6	Scr, Hex Thd Form 1/4-20 x .50
10	56009126	10	Scr, Pan Phil Thd Form 1/4-20 x .50
11	56009122	4	Wsh, Flt .34 x .93 x .12
12	56101737	1	Fitting, Lube 1/4-23
13	56389110	1	Tray, Battery
14	56420001	1	Panel, Rear
15	56420011	1	Seat
*	56420143	1	Armrest Kit (optional / for 56420011)
16	56420016	1	Chassis
17	56420041	1	Battery Box
18	56420048	1	Lift and Turn Latch
19	56420057	2	Grip Surface
20	56420064	1	Cover, Lower Column
21	56420100	1	Door
22	56420101	1	Hinge
23	56420102	1	Panel, Seat
24	56420103	1	Hinge
25	56420104	1	Prop Rod
26	56454940	1	Clamp

OPTIONAL KITS AND ACCESSORIES

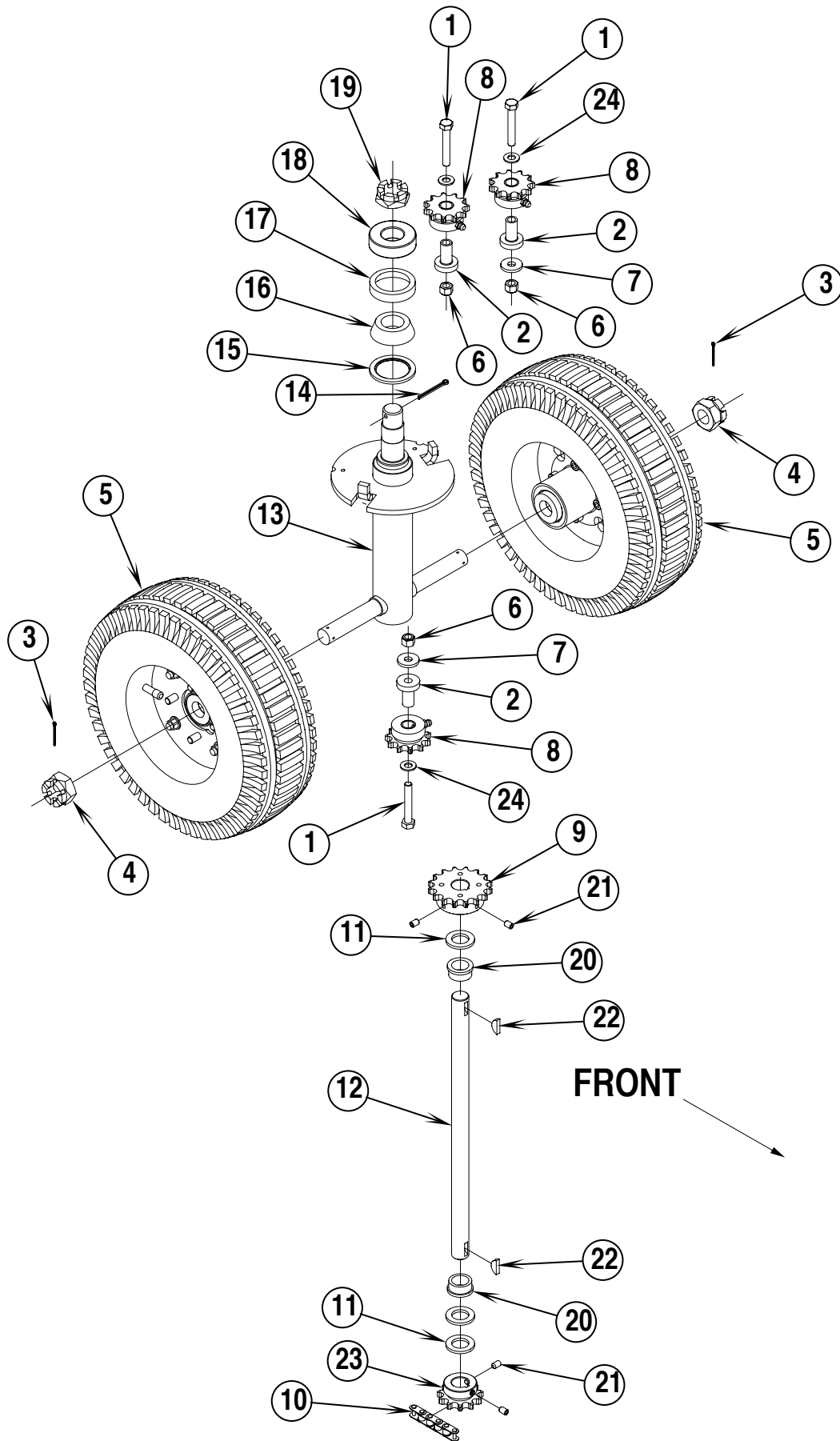
*	56420137	1	Battery Exchange Kit
*	56420144	1	Back-Up Alarm Kit
*	56420123	1	Headlight Kit
*	56420127	1	Strobe Light Kit
*	56420143	1	Armrest Kit
*	56420131	1	Battery Stand Weld't
*	56420165	1	Pallet Jack

* = Not Shown



98-3	STEERING SYSTEM-1	BOOK D		
01-9	Whirlamatic™ 2700 / BHS 7014	D	5.3.1	5

Item	Ref. No.	Qty	Description
1	56002868	1	Nut, Hex Nyl Loc-Thin 1/2-20
2	56003342	1	Wsh, Flt .88 x 2.25 x .13
3	56497560	1	Wheel Adapter
4	56497308	1	Cup
5	56420059	1	Shaft, Upper Steering
6	56250414	2	Bearing, Flange
7	56420063	1	Cover, Upper Column
8	56009062	4	Scr, Pan Phil Thd Form 1/4-20 x .50
9	56001939	2	Wsh, Flt SAE 5/16
10	56002826	2	Nut, Hex Nyl Loc-Thin 5/16-18
11	56001958	2	Scr, Soc Set Loc 3/8-16 x .50
12	56454081	1	Universal Joint
13	56420060	1	Shaft, Lower Steering
14	56471148	1	Sprocket
15	56420065	1	Chain, Roller
16	56002930	2	Scr, Soc Set Loc 1/4-20 x .38
17	56003228	4	Key, Wdf .75 x .19
18	56420062	1	Latch Assembly
19	56002037	2	Scr, Hex Hd 5/16-18 x .88
20	56320595	2	Bushing
21	56302164	2	Bearing, Flange
22	56420061	1	Column, Steering
23	56497306	1	Steering Wheel
24	56001879	1	Wsh, Flt SAE 1/2
25	56497543	1	Cap
26	56009051	2	Scr, Pan Phil Thd Form 8-32 x .38 TSB 727
27	56100393	1	Bushing TSB 727

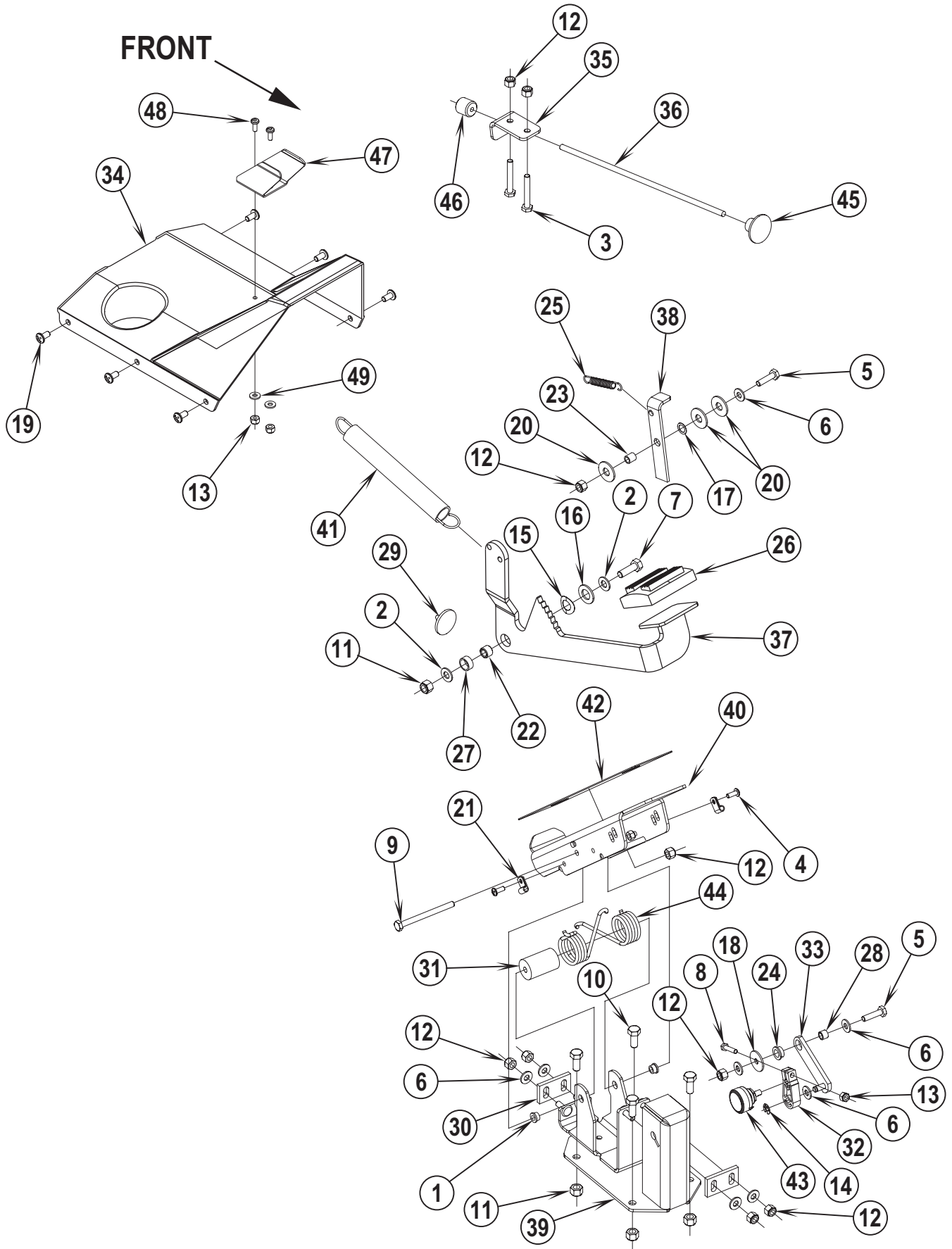


98-3	STEERING SYSTEM-2	BOOK D		
01-9	Whirlamatic™ 2700 / BHS 7014	D	5.3.1	7

Item	Ref. No.	Qty	Description
1	56002721	3	Scr, Hex Hd 5/16-18 x 2.00
2	56497311	3	Bushing, Flanged
3	56003493	2	Pin, Cotter 3/32 x 1.50 Note
4	56009263	2	Nut, Hex Slotted Thick 3/4-16 Note
5	56420170	2	Wheel Assembly Note
*	56100637	4	Bearing Cone, Kit (qty of 2 per wheel)
*	56420193	8	Lug Nut, 5/16-24 (qty of 4 per wheel)
6	56002701	3	Nut, Hex Nyl Loc 5/16-18
7	56009122	2	Wsh, Flt .34 x .93 x .12
8	56454079	3	Sprocket Assembly
9	56453409	1	Sprocket
10	56420091	1	Chain, Roller
11	56009022	3	Wsh, Flt .75 x 1.25 x .12
12	56420090	1	Jackshaft, Steer
13	56420168	1	Spindle Weld't Note
14	56002181	1	Pin, Cotter 1/8 x 1-1/2
15	56171078	1	Shaft Seal
16	56378267	1	Bearing, Cone
17	56378259	1	Bearing, Cup
18	56378380	1	Bearing, Ball
19	56110817	1	Nut, Castle 7/8-14
20	56250414	2	Bearing, Flange
21	56002930	4	Scr, Soc Set Loc 1/4-20 x .38
22	56003228	2	Key, Wdf .75 x .19
23	56471148	1	Sprocket
24	56001939	3	Wsh, Flt SAE 5/16

* = Not Shown

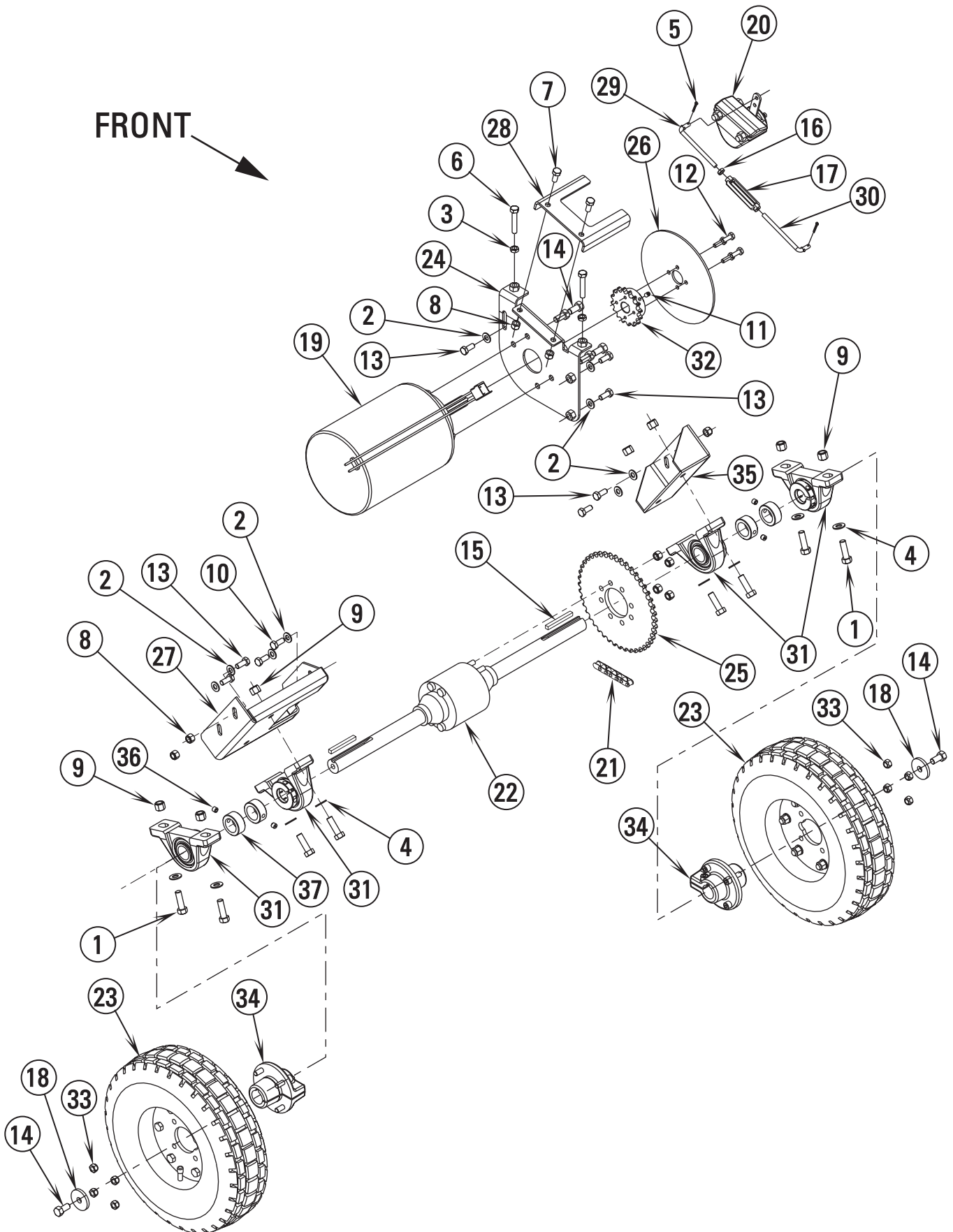
Note: Machines built before Serial No's 1266988(2700), 1260005(BHS 7014) have different style hubs and spindle weldment which are no longer available. To update your machine order Update Kit PN 56420180.



98-3	CONTROL SYSTEM	BOOK D		
03-3	Whirlamatic™ 2700 / BHS 7014	D	5.3.1	9

Item	Ref. No.	Qty	Description
1	56756318	2	Bearing, Flange
2	56001939	2	Wsh, Flt SAE 5/16
3	56001967	2	Scr, Hex Hd 1/4-20 x 1.75
4	56001993	2	Scr, Pan Phil 10-24 x .50
5	56002093	2	Scr, Hex Hd 1/4-20 x 1.00
6	56002098	8	Wsh, Flt SAE 1/4
7	56002221	1	Scr, Hex Hd 5/16-18 x 1.00
8	56002425	1	Scr, Hex Hd 10-24 x .88
9	56002603	1	Scr, Hex Hd 1/4-20 x 3.00
10	56002667	4	Scr, Hex Hd 5/16-18 x .75
11	56002701	5	Nut, Hex Nyl Loc 5/16-18
12	56002708	9	Nut, Hex Nyl Loc 1/4-20
13	56002768	5	Nut, Hex Nyl Loc 10-24
14	56003268	1	Ring, Ret Ext Type E Reinf .25 Dia.
15	56009001	1	Wsh, Bowed .51 x .90 x .008
16	56009017	1	Wsh, Flt Harden .51 x .93 x .75
17	56009023	1	Wsh, Wave .375
18	56009060	1	Wsh, Flt SS .26 x 1.00 x .07
19	56009062	6	Scr, Pan Phil Thd Form 1/4-20 x .50
20	56009213	3	Wsh, Flt .39 x 1.00 x .07
21	56220507	2	Clamp, P
22	56228046	1	Bushing .31 x .50 x .37
23	56321532	1	Bushing .25 x .37 x .40
24	56324505	1	Bearing, Flange
25	56358560	1	Spring
26	56365002	1	Pad, Rubber
27	56365030	1	Bushing .50 x .62 x .27
28	56368989	1	Bushing
29	56393581	1	Bumper
30	56409377	2	Plate, Slide
31	56409378	1	Spacer, Nylon
32	56409471	1	Lever, Throttle
33	56409610	1	Link Weld't
34	56420002	1	Panel, Control
35	56420003	1	Angle
36	56420004	1	Rod, Disconnect
37	56420051	1	Brake Pedal
38	56420054	1	Lever, Park Brake
39	56420105	1	Pedal Mount Weld't
40	56420108	1	Throttle Pedal Weld't
41	56448119	1	Spring, Ext.
42	56449958	1	Mat, Pedal
43	56454740	1	Potentiometer, 5K
44	56468243	2	Spring, Idler
45	56478605	1	Knob
46	56478660	1	Block
47	56420149	1	Guard, Switch
48	56009082	2	Scr, Pan Phil Thd Form-Blk 10-24 x .50
49	56001954	2	Wsh, Flt SAE #10

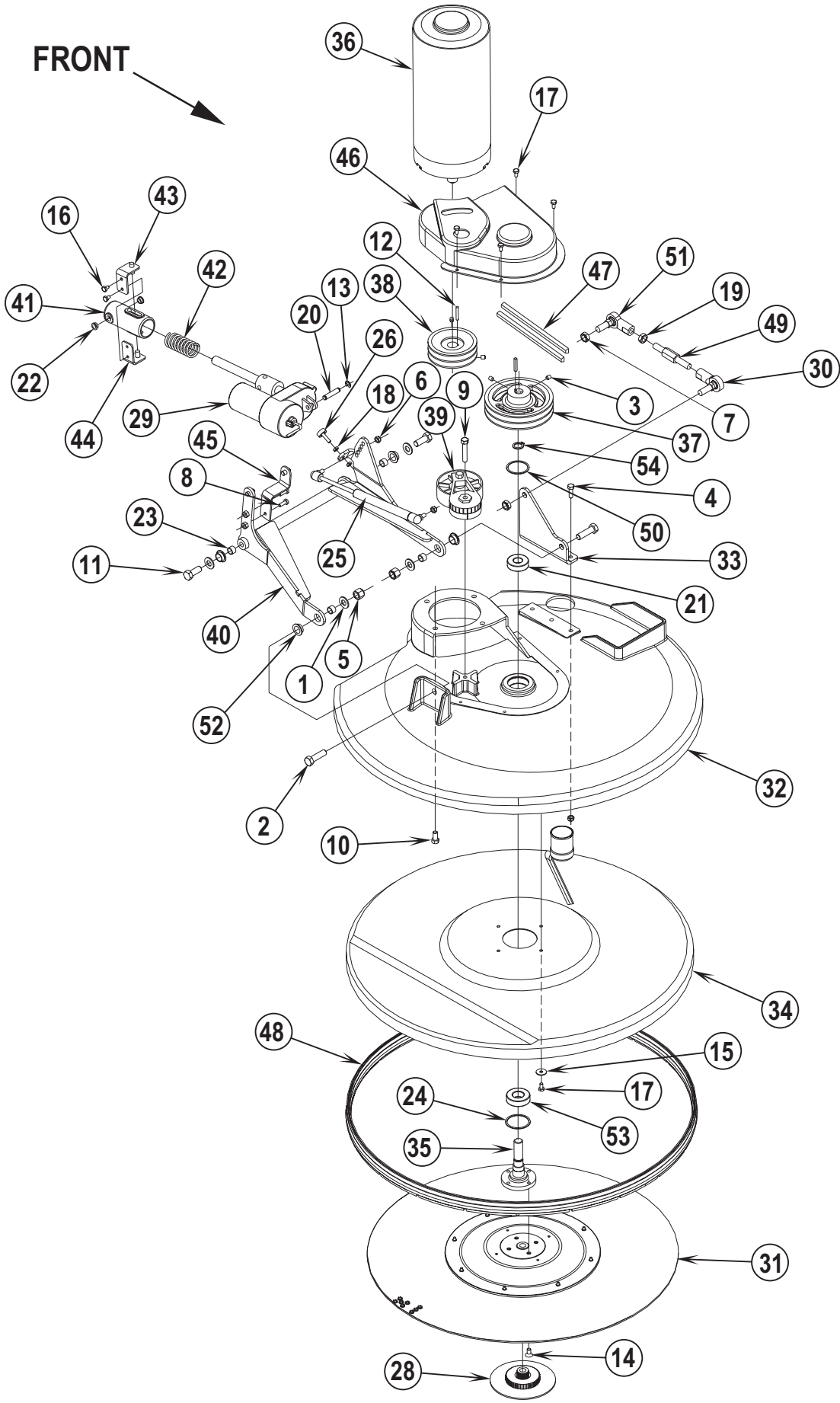
FRONT



98-3	TRACTION DRIVE SYSTEM	BOOK D		
03-8	Whirlamatic™ 2700 / BHS 7014	D	5.3.1	11

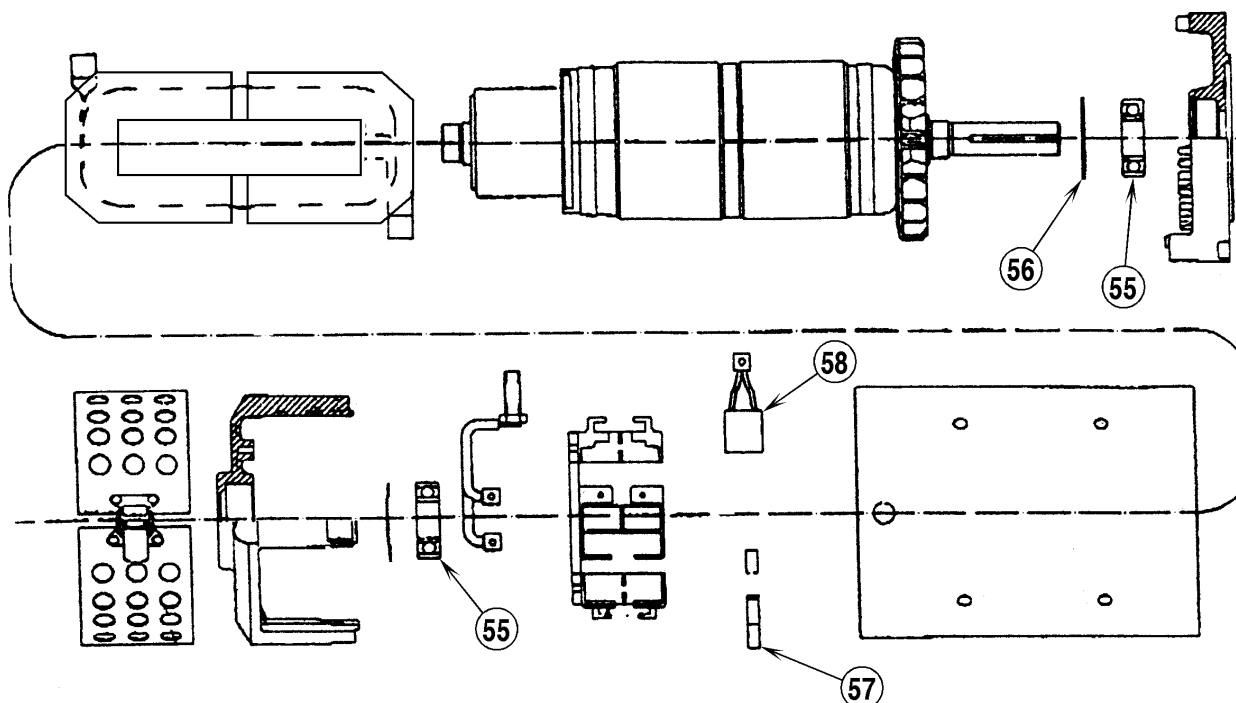
Item	Ref. No.	Qty	Description
1	56001858	8	Scr, Hex Hd 3/8-16 x 1.25
2	56001939	9	Wsh, Flt SAE 5/16
3	56009086	2	Nut, Hex Jam 5/16-18
4	56002063	8	Wsh, Flt SAE 3/8
5	56002166	2	Pin, Cotter 3/32 x 3/4
6	56002368	2	Scr, Hex Thd to Hd 5/16-18 x 1.75
7	56002667	2	Scr, Hex Hd 5/16-18 x .75
8	56002701	10	Nut, Hex Nyl Loc 5/16-18
9	56002769	8	Nut, Hex Nyl Loc 3/8-16
10	56002929	2	Scr, Hex Hd Loc 5/16-18 x .62
11	56002021	2	Scr, Soc Set Loc 5/16-18 x .38
12	56002948	4	Scr, Hex Hd Loc 1/4-20 x .75
13	56002956	7	Scr, Hex Hd Loc 5/16-18 x .75
14	56003079	6	Scr, Hex Hd Loc 3/8-16 x .75
15	56003248	2	Key, Sq .25 x 2.31
16	56009087	1	Nut, Hex Jam 1/4-20
17	56206814	1	Turnbuckle
18	56367117	2	Wsh, Flt .40 x 1.50 x .18
19	56377537	1	Motor, 36V
*	56503026	1	Carbon Brush Set (for 56377537)
20	56391301	1	Brake
21	56395871	1	Chain, Roller
22	56420204	1	Differential TSBUS2003-845
23	56420196	2	Wheel TSB762
24	56420046	1	Mount Plate
25	56420209	1	Sprocket TSBUS2003-852
26	56420049	1	Disc
27	56420200	1	Mount TSBUS2003-845
28	56420053	1	Caliper Mount
29	56420055	1	Brake Link
30	56420056	1	Brake Link LH
31	56420205	4	Pillow Block, Bearing TSBUS2003-845
32	56453409	1	Sprocket
33	56420193	8	Lug Nut, 5/16-24
34	56420192	2	Hub Assy TSB762
35	56420201	1	Bracket TSBUS2003-845
36	56002086	4	Scr, Soc Set Loc 5/16-18 x .25
37	56444820	4	Collar TSBUS2003-845

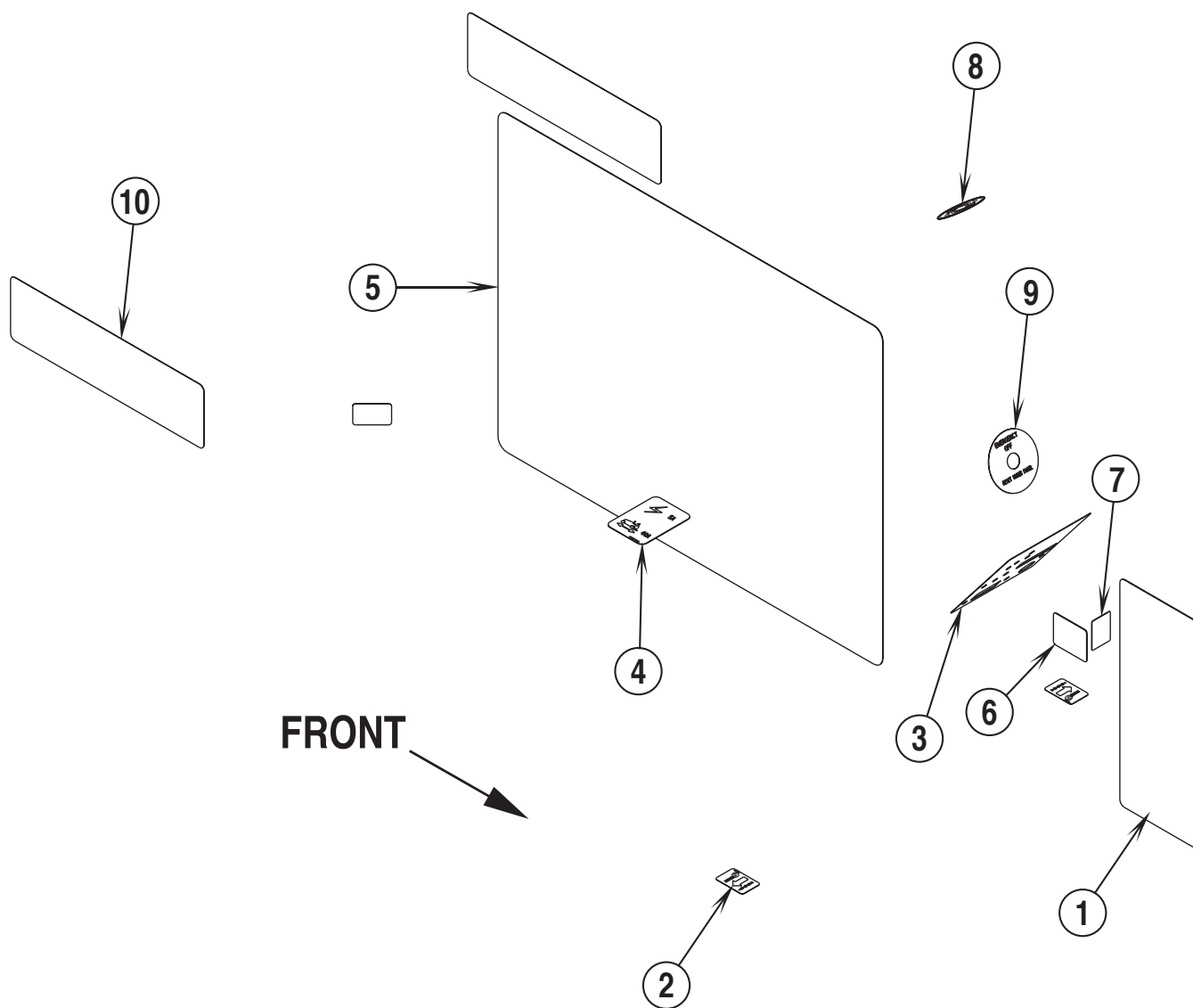
* = Not Shown



Item	Ref. No.	Qty	Description	Item	Ref. No.	Qty	Description
1	56001879	4	Wsh, Flt SAE 1/2	34	56420203	1	Shroud, Dust Collection TSBUS2003-852
2	56001995	2	Scr, Hex Hd 1/2-13 x 1.75	35	56420009	1	Shaft, Pad
3	56002021	4	Scr, Soc Set Loc 5/16-18 x .38	36	56420010	1	Motor
4	56002221	3	Scr, Hex Hd 5/16-18 x 1.00				(refer to #55-58 for replacement parts)
5	56002770	2	Nut, Hex Nyl Loc 1/2-13	37	56420012	1	Sheave
6	56002826	5	Nut, Hex Nyl Loc-Thin 5/16-18	38	56420013	1	Sheave
7	56002868	2	Nut, Hex Nyl Loc-Thin 1/2-20	39	56420014	1	Idler, Belt
8	56002948	2	Scr, Hex Hd Loc 1/4-20 x .75	40	56420015	1	Main Lift Linkage
9	56003031	1	Scr, Hex Hd Loc 3/8-16 x 2.00	41	56420017	1	Housing, Spring
10	56003079	4	Scr, Hex Hd Loc 3/8-16 x .75	42	56420018	1	Compression Spring
11	56003022	2	Scr, Hex Hd Loc 1/2-13 x 1.25	43	56420019	1	Nut Retainer
12	56003241	2	Key, Sq .19 x 1.31	44	56420020	1	Nut Retainer
13	56003262	2	Ring, Ret Ext Type E .38 Dia.	45	56420021	1	Mount Weld't
14	56003394	4	Scr, Flt Soc 5/16-18 x .62	46	56420022	1	Cover, Drive Belt
15	56009002	4	Wsh, Flt .26 x .90 x .06	47	56420023	1	V-Belt (set of 2)
16	56009019	2	Scr, Hex Thd Form 1/4-20 x .38	48	56420024	1	Skirt Assembly
17	56009033	8	Scr, Hex Thd Form 1/4-20 x .50	49	56420035	1	Linkage Adjuster Stud
18	56009087	2	Nut, Hex Jam 1/4-20	50	56444731	1	Ring, Ret Int
19	56009089	1	Nut, Hex Jam 1/2-20	51	56477813	1	Ball Joint
20	56104760	1	Pin	52	56420160	4	Bearing, Flange
21	56154091	1	Bearing, Ball	53	56479430	1	Bearing, Ball
22	56324505	2	Bearing, Flange	54	56900884	1	Ring, Ret Ext
23	56360627	4	Bushing	55	56409750	2	Bearing
24	56378399	1	Ring, Ret Int 2.04	56	56409749	1	Snap-Ring
25	56385238	1	Gas Cylinder	57	56409746	8	Spring, Brush
26	56386314	1	Leg Leveler 1/4-20	58	56420147	1	Carbon Brush Set (set of 8)
27			Intentionally Omitted				
28	56420120	1	Pad Retainer	*	56391185	A/R	Dust Collection Bags (pkg of 6)
29	56393303	1	Actuator, Motor	*	56420162	A/R	Pad 27", Topline Case of 5
*	56388520	1	Plastic Drive Nut (for 56393303)	*	56420163	A/R	Pad 27", Natural case of 5
*	56470433	1	Carbon Brush Set (for 56393303)				
30	56409405	1	Ball Joint				
31	56420005	1	Pad Driver Assembly				
32	56420006	1	Shroud, Machined Outer				
33	56420007	1	Shroud, Mounting Bracket				

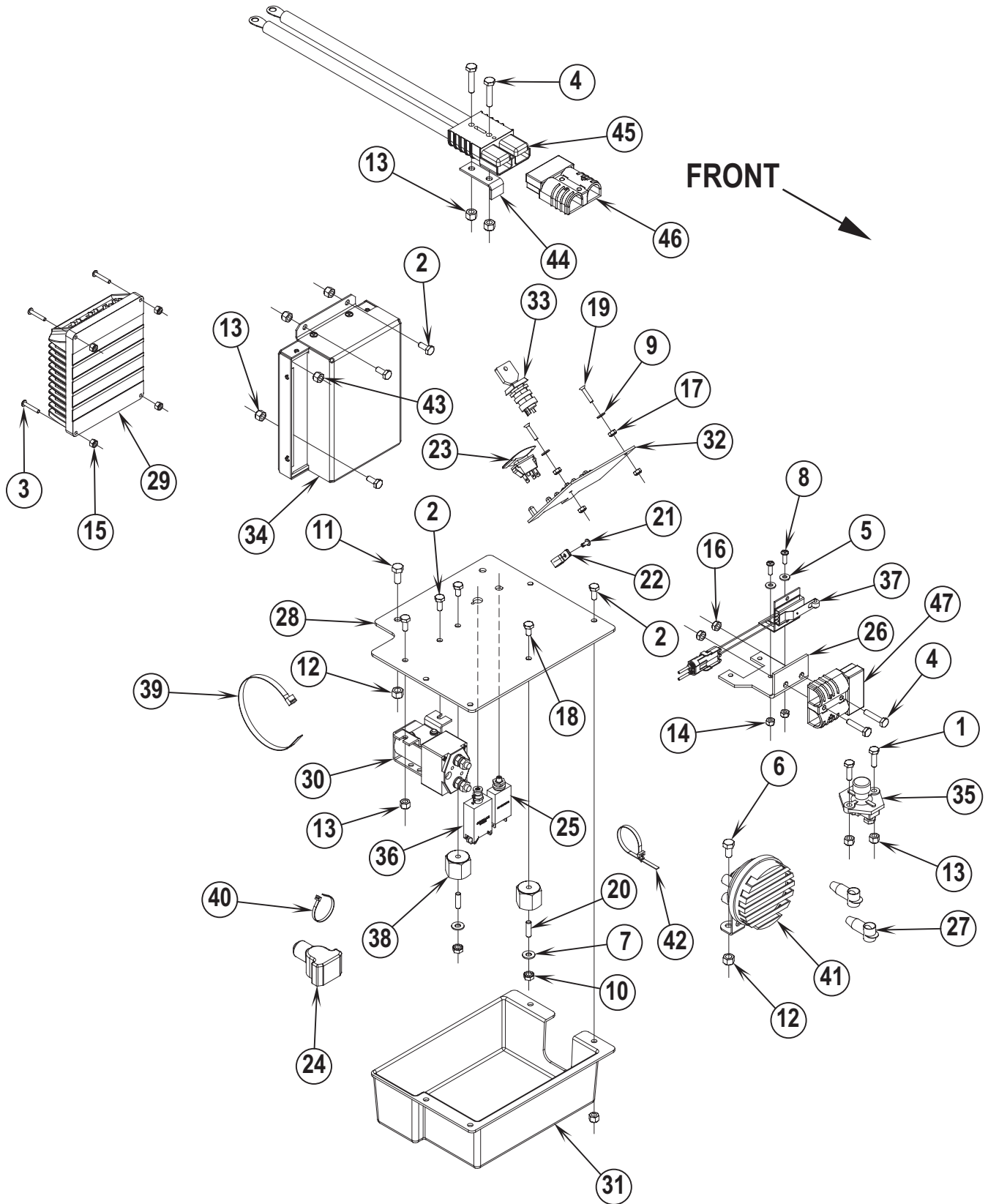
* = Not Shown





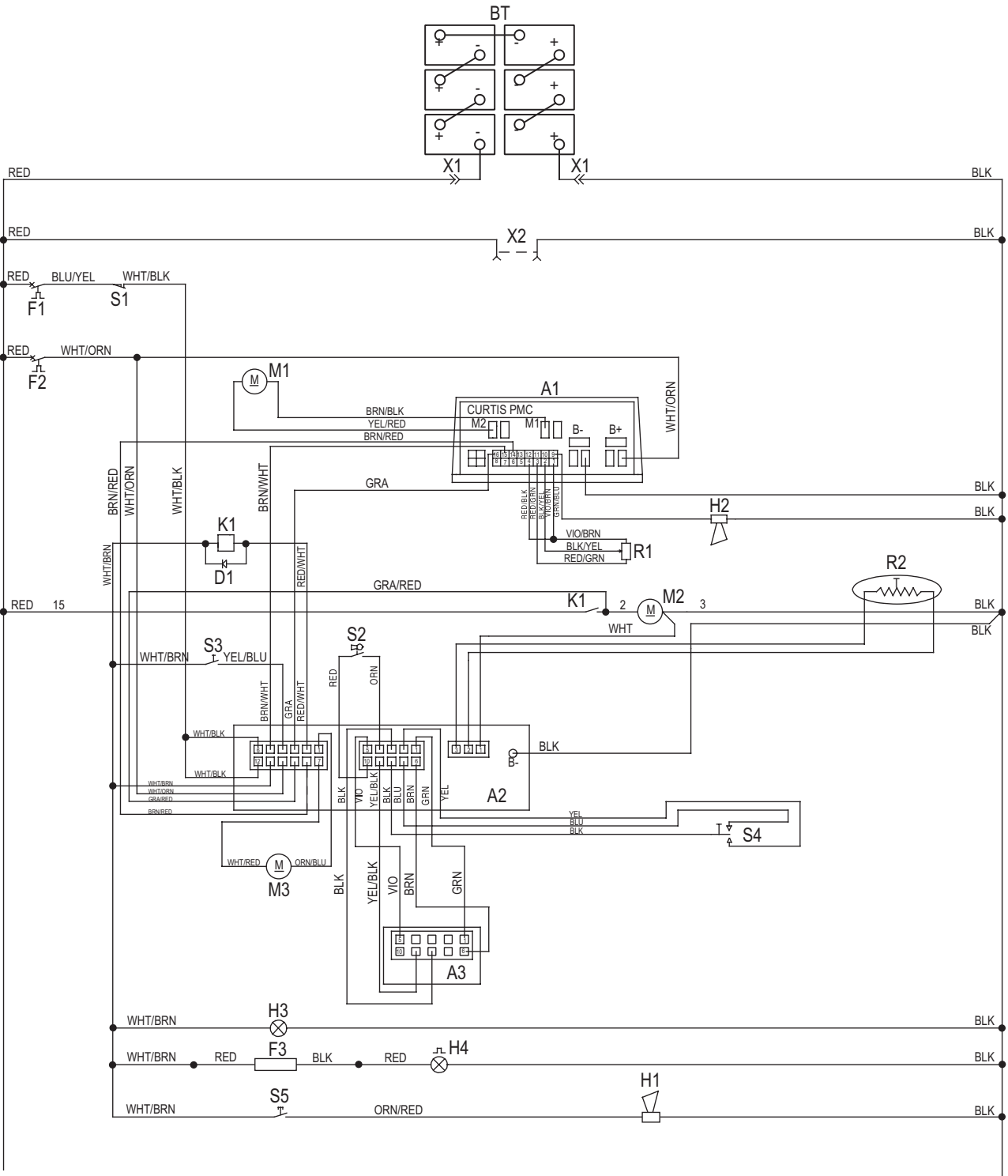
98-3	DECAL SYSTEM	BOOK D		
01-9	Whirlamatic™ 2700 / BHS 7014	D	5.3.1	15

Item	Ref. No.	Qty	Description
1	56014601	1	Decal, Caution
2	56015370	4	Decal, Tie Down
3	56015981	1	Decal, Control Panel
4	56016049	1	Decal, Circuit Breaker
5	56016050	1	Decal, Electrical (before SN 1507059)
	56016297	1	Decal, Electrical (after SN 1507058)
6	56016052	1	Decal, Park Brake
7	56016324	1	Decal, Charger
8	56016421	1	Decal, Logo 2 Inch
9	56025109	1	Decal, Emergency
10	56016419	2	Decal, Whirlamatic 2700
	56016420	2	Decal, BHS 7014



98-3	ELECTRICAL SYSTEM	BOOK D		
03-8	Whirlamatic™ 2700 / BHS 7014	D	5.3.1	17

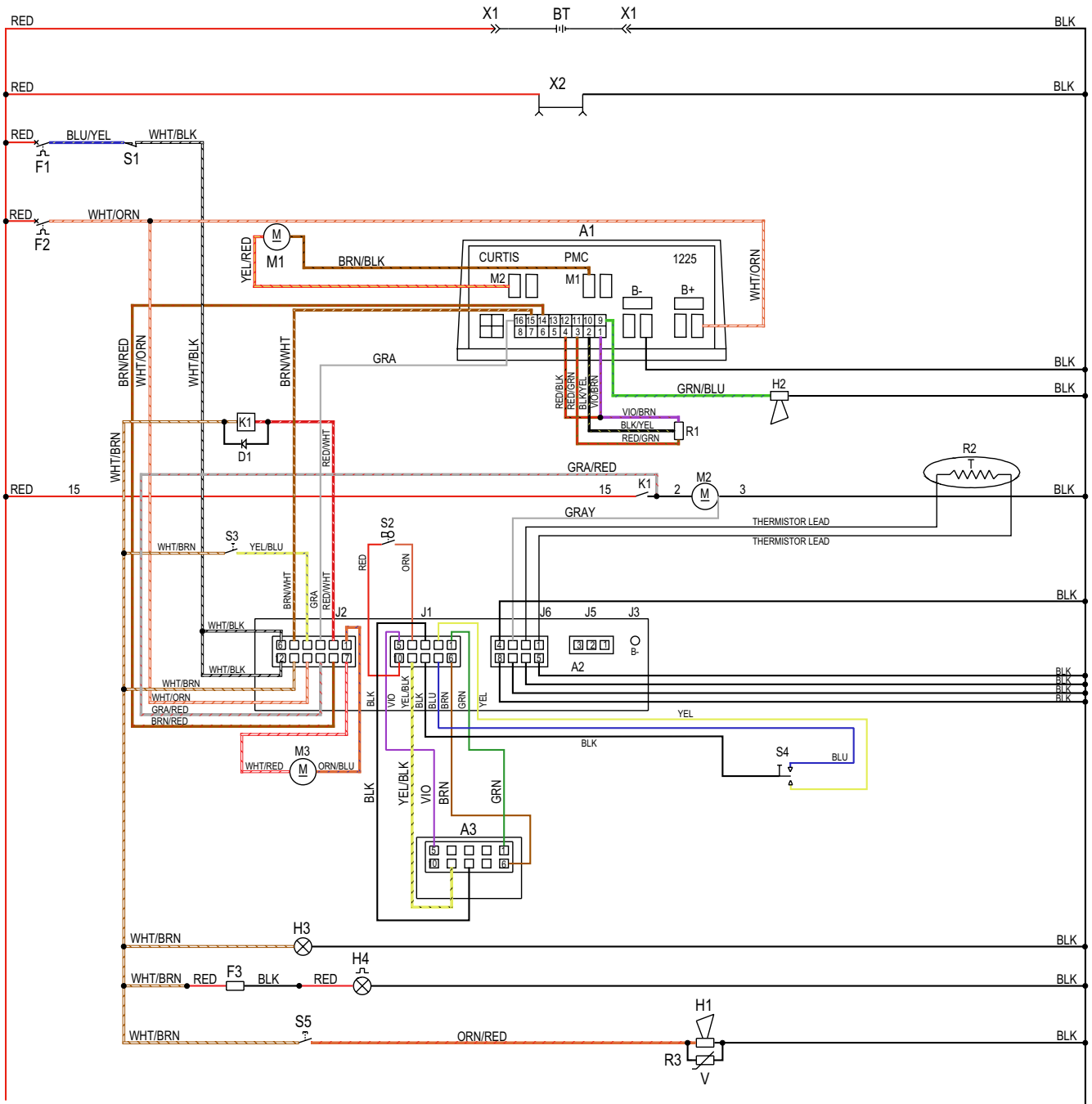
Item	Ref. No.	Qty	Description	Item	Ref. No.	Qty	Description
1	56001821	2	Scr, Hex Hd 1/4-20 x .88	*	56420137	1	Battery Exchange Kit (Optional)
2	56001836	9	Scr, Hex Hd 1/4-20 x .62	*	56420144	1	Back-Up Alarm Kit (Optional)
3	56001868	4	Scr, Pan Phil 8-32 x 1.00	*	56420123	1	Headlight Kit (Optional)
4	56001878	4	Scr, Hex Hd 1/4-20 x 1.25	*	56420127	1	Strobe Light Kit (Optional)
5	56001954	2	Wsh, Flt SAE #10	*	56409613	1	Seat Switch
6	56002035	1	Scr, Hex Hd 5/16-18 x .62	*	56420128	1	Seat Switch Wire Harness
7	56002098	2	Wsh, Flt SAE 1/4	*	56420119	1	Display Wire Harness
8	56002124	2	Scr, Pan Phil 10-24 x .62	*	56420117	1	Main Wire Harness
9	56002140	2	Wsh, Flt SAE #8	*	56420198	5	Cable, Battery TSB800
10	56002561	2	Nut, Hex W/Shprf 1/4-20	*	56398090	12	Terminal Clamp, Battery (BHS 7014 only)
11	56002667	2	Scr, Hex Hd 5/16-18 x .75	* = Not Shown			
12	56002701	3	Nut, Hex Nyl Loc 5/16-18				
13	56002708	13	Nut, Hex Nyl Loc 1/4-20				
14	56002768	2	Nut, Hex Nyl Loc 10-24				
15	56002808	4	Nut, Hex Nyl Loc 8-32				
16	56002840	2	Nut, Hex Nyl Loc-Thin 1/4-20				
17	56002865	4	Nut, Hex Nyl Loc-Thin 8-32				
18	56003039	2	Scr, Hex Hd Loc 1/4-20 x .50				
19	56003401	2	Scr, Flt Phil 8-32 x .75				
20	56009020	2	Stud				
21	56009192	1	Rivet, Push Nylon Black				
22	56152617	1	P-Clamp				
23	56302156	1	Rocker Switch (Pad UP/DN)				
24	56372673	12	Boot, Battery Post				
25	56387328	1	Circuit Breaker, 5 Amp (Control)				
26	56393781	1	Bracket, Switch				
27	56409538	2	Insulator, Terminal				
28	56420095	1	Panel				
29	56420096	1	Speed Controller, 36V				
30	56420098	1	Solenoid (Pad Motor)				
31	56420099	1	Cover, Electrical				
32	56420106	1	Circuit Board (Display)				
33	56420113	1	Switch, Key (Main)				
*	56420158	1	Replacement Key				
34	56420145	1	Control Box Assembly TSB 754				
	56420189	1	Control Box Assembly (after SN 1507058)				
35	56441555	1	Switch, Horn				
36	56452193	1	Circuit Breaker, 40 Amp (Traction Drive)				
37	56462362	1	Switch (Charger Interlock)				
38	56469858	2	Standoff, Insulated				
39	56477613	4	Tie, Cable				
40	56478246	12	Tie, Cable				
41	56482365	1	Horn, 36V				
42	56900753	7	Tie, Push Mount				
43	56003053	1	Nut, Hex Nyl Loc-Thin 10-32				
44	56478648	1	Angle				
45	56420197	1	Battery Connector (Whirlamatic™ 2700 only) (connected to batteries) TSB800, TSBUS2003-852				
	56420206	1	Battery Connector (BHS 7014 only) (connected to batteries) TSBUS2003-852				
46	56420136	1	Connector Assembly (frame mounted) TSB800				
47	56420126	1	Charger Plug Assembly				



98-3	WIRING DIAGRAM (before SN 1507059)	BOOK D		
03-8	Whirlamatic™ 2700 / BHS 7014	D	5.3.1	19

Item	Ref. No.	Qty	Description
A1	56420096	1	Speed Controller
A2	56420145	1	Control Box Assembly TSB 754
A3	56420106	1	Display
BT		A/R	Battery, 36V
D1		1	Diode
F1	56387328	1	Circuit Breaker, 5 Amp (Control)
F2	56452193	1	Circuit Breaker, 40 Amp (Traction Drive)
F3		1	Fuse, 2 Amp (optional, included with Strobe Light Kit)
H1	56482365	1	Horn
H2	56420144	1	Back-Up Alarm Kit (Optional)
H3	56420123	1	Headlight Kit (Optional)
H4	56420127	1	Strobe Light Kit (Optional)
K1	56420098	1	Solenoid (Pad Motor)
M1	56377537	1	Motor (Traction Drive)
*	56503026	1	Carbon Brush Set (for 56377537)
M2	56420010	1	Motor (Pad Drive / refer to page 13 for replacement parts)
M3	56393303	1	Lift Actuator (Pad)
*	56470433	1	Carbon Brush Set (for 56393303)
R1	56454740	1	Potentiometer, 5K
R2		1	Thermistor (inside of cable assembly #56420124)
S1	56462362	1	Switch (Charger Interlock)
S2	56420113	1	Switch, Key (Main)
*	56420158	1	Replacement Key
S3	56409613	1	Switch (Seat)
S4	56302156	1	Switch (Pad UP/DN)
S5	56441555	1	Switch (Horn)
X1	56420197	1	Battery Connector (Whirlamatic™ 2700 only) (connected to batteries) TSB800, TSBUS2003-852
	56420206	1	Battery Connector (BHS 7014 only) (connected to batteries) TSBUS2003-852
	56420136	1	Connector Assembly (frame mounted) TSB800
X2	56420126	1	Charger Plug Assembly
*	56420128	1	Seat Switch Wire Harness
*	56420119	1	Display Wire Harness
*	56420117	1	Main Wire Harness
*	56420198	5	Cable, Battery TSB800
*		1	Charger, 36V Auto 25 Amp (not included)

* = Not Shown



98-3	WIRING DIAGRAM (after SN 1507058)	BOOK D		
03-8	Whirlamatic™ 2700 / BHS 7014	D	5.3.1	21

Item	Ref. No.	Qty	Description
A1	56420096	1	Speed Controller
A2	56420189	1	Control Box Assembly
A3	56420106	1	Display
BT		A/R	Battery, 36V
D1		1	Diode
F1	56387328	1	Circuit Breaker, 5 Amp (Control)
F2	56452193	1	Circuit Breaker, 40 Amp (Traction Drive)
F3		1	Fuse, 1.5 Amp (optional, included with Strobe Light Kit)
H1	56482365	1	Horn
H2	56420144	1	Back-Up Alarm Kit (Optional)
H3	56420123	1	Headlight Kit (Optional)
H4	56420127	1	Strobe Light Kit (Optional)
K1	56420098	1	Solenoid (Pad Motor)
M1	56377537	1	Motor (Traction Drive)
*	56503026	1	Carbon Brush Set (for 56377537)
M2	56420010	1	Motor (Pad Drive / refer to page 13 for replacement parts)
M3	56393303	1	Lift Actuator (Pad)
*	56470433	1	Carbon Brush Set (for 56393303)
R1	56454740	1	Potentiometer, 5K
R2		1	Thermistor (inside of cable assembly #56420190)
R3		1	Varistor
S1	56462362	1	Switch (Charger Interlock)
S2	56420113	1	Switch, Key (Main)
*	56420158	1	Replacement Key
S3	56409613	1	Switch (Seat)
S4	56302156	1	Switch (Pad UP/DN)
S5	56441555	1	Switch (Horn)
X1	56420197	1	Battery Connector (Whirlamatic™ 2700 only) (connected to batteries) TSB800, TSBUS2003-852
	56420206	1	Battery Connector (BHS 7014 only) (connected to batteries) TSBUS2003-852
	56420136	1	Connector Assembly (frame mounted) TSB800
X2	56420126	1	Charger Plug Assembly
*	56420128	1	Seat Switch Wire Harness
*	56420119	1	Display Wire Harness
*	56420117	1	Main Wire Harness
*	56420198	5	Cable, Battery TSB800
*		1	Charger, 36V Auto 25 Amp (not included)

* = Not Shown

Ref. No.	Description
56420089	Wheel
56454740	Potentiometer, 5K
56420045	Wheel
56444308	Pillow Block, Bearing
56391310	Drive Chain
56420023	V-Belt
56479430	Bearing, Ball
56385238	Cylinder, Gas
56420203	Dust Shroud
56420024	Skirt Assembly
56420120	Pad Retainer
56391185	Dust Collection Bag (pkg. of 6)
56420098	Solenoid (Pad Motor)
56302156	Switch (Pad UP/DN)
56420113	Switch, Key (Main)
56420158	Replacement Key
56462362	Switch (Charger Interlock)
56409613	Switch (Seat)

DANMARK

Nilfisk-Advance Nordic A/S
Sognevej 25 - Box 344
DK-2605 Broendby
☎ 43 23 83 50 – Fax 43 42 15 95

NORGE

Nilfisk-Advance AS
Enebakkvn, 119, 0680 Oslo, Postboks 196, Manglerud,
0612 Oslo
☎ 22 08 63 50 – Fax 22 08 63 63
Distriktsrepresentanter over hele landet

SVERIGE

Nilfisk-Advance AB
Sjöbjörnsvägen 5, 117 67 Stockholm
☎ 085 55 944 00 – Fax 085 55 944 30

FINLAND/ SUOMI

BERNER Ltd. Facotek Department
Etäleranta 4B, 00130 Helsinki
☎ +358 9 1345 1382

AUSTRALIA

Nilfisk-Advance Pty. Ltd.
48 Egerton Street
Silverwater NSW 2128
☎ (02) 8748 5905 – Fax (02) 9648 2711
Customer Responce Centre:
☎ 1 800 011 013

BELGIQUE / BELGIË/ LUXEMBOURG

Nilfisk-Advance s.a./n.v.
Doornveld/ Sphere Business Park
Industrie Asse 3, nr 11 – bus 41
1731 Zellik-Asse
☎ (02) 467.60.50 Fax (02) 463.44.16

CANADA

Nilfisk-Advance Ltd.
396 Watline Avenue
Mississauga, Ontario L4Z 1X
☎ (905) 712-3260 – Fax (905) 712-3255

DEUTSCHLAND

Nilfisk-Advance AG
Siemensstraße 25-27
25462 Rellingen
☎ (041 01) 3990 – Fax (04101) 399191
Zentraler Kundenservice
☎ für die Industrie: 0180 535 67 97
☎ Institutionen und Gebäudereiniger: 0180 500 11 70

FRANCE

Nilfisk-Advance S.A.
BP 246
91944 Courtaboeuf Cedex
☎ (01) 69.59.87.00 Télécopie (01) 69.59.87.01

HONG KONG

Nilfisk-Advance Ltd.
2001, 20/F HK Worsted Mills
Industrial Building
31-39 Wo Tong Tsui Street
Kwai Chung, N.T.
☎ 2427 59 51 – Fax 2487 5828

IRELAND

Nilfisk-Advance Ltd.
28 Sandford Office Park
Dublin 18
☎ +353 1 2943838 – Fax +353 1 2943845

JAPAN

Nilfisk-Advance Inc.
3-4-9 Chigasaki Minami
Tsuzuki-Ku Yokohama 224 0037
☎ 045-942-7741 – Fax 045-942-6545

MALAYSIA

Nilfisk-Advance Sdn Bhd
Lot 2, 1st. Floor
Lorong 19/1A
46300 Petaling Jaya
Selangor Darul Ehsan
☎ 03-7568188/03-7568189/03-7568388 – Fax 03-7566828

NEDERLAND

Nilfisk-Advance B.V.
Flevolaan 7, Postbus 341
1380 AH Weesp
☎ 0294-462121 – Fax 0294-430053

NEW ZEALAND

Nilfisk-Advance Limited
477 Great South Road, Penrose
Auckland
☎ (09) 525 0092 – Fax (09) 525 6440

SCHWEIZ / SUISSE

Nilfisk-Advance AG
Ringstrasse 19, 9533 Kirchberg/Wil
☎ 719 23 52 83 – Fax 719 23 84 44

SINGAPORE

Nilfisk-Advance Pte. Ltd.
22, Woodlands Industrial Park E1
Singapore 757740
☎ (65) 759 9100 – Fax (65) 759 9133

TAIWAN

Nilfisk-Advance Ltd.
1 F, No.23, Lane 132, Sec. 2
Ta An Road, Taipei
☎ 700 22 68 – Fax 784 08 43

UNITED KINGDOM

Nilfisk-Advance Limited
Newmarket Road
Bury St. Edmunds
Suffolk IP 33 3SR
☎ (01284) 763163 – Fax (01284) 750562

USA

Nilfisk-Advance Inc.
14600 21st Avenue North
Plymouth, MN 55447-3408
☎ +1 800 989 2235 – Fax 1 800 989 6566

Nilfisk-Advance of America, Inc.
300 Technology Drive
Malvern, PA 19355
☎ (610) 647 647-6427

ÖSTERREICH

Nilfisk-Advance GmbH
Vorarlberg Allee 46
1230 Wien
☎ 1 616 58 30 – Fax 1 616 58 30 40

ESPAÑA

Nilfisk-Advance, S.A.
Torre D'Ara
Passeig del Rengle, 5 Pl.9-10
E-08302 – Mataró (Barcelona)
☎ Tel. 93 741 24 00 – Fax: 93 757 80 20
Central atención al cliente: 902 200 201
nilfisk@nilfisk-advance.es – www.nilfisk-advance.com
Distribuidores y Servicio Técnico en toda España y Andorra

ITALIA

Nilfisk-Advance Italia Spa
Località Novella Terza
26862 Guardamiglio (LO)
Italy
☎ +39 0377 414067-54 – Fax +39 0377 414097
www.nilfisk-advance.com

PORTUGAL

Nilfisk-Advance Lda.
Rua Cândido de Figueiredo, 91-i, 1500-133 LISBOA
☎ 01/7784142 – Fax 01/7785613
Porto 02/526766 – Fax 02/520739
Açores 096/628092/3 – Fax 096/628129
Madeira 091/228965 – Fax 091/228796

GREECE

Embiom S.A.
Λεωφ. Βουλιαγμένης 60
Αργυρούπολη
164 52 Αθήνα
☎ 9950613 - Fax 9951680



Material Composition of the Nilfisk BHS 7014

