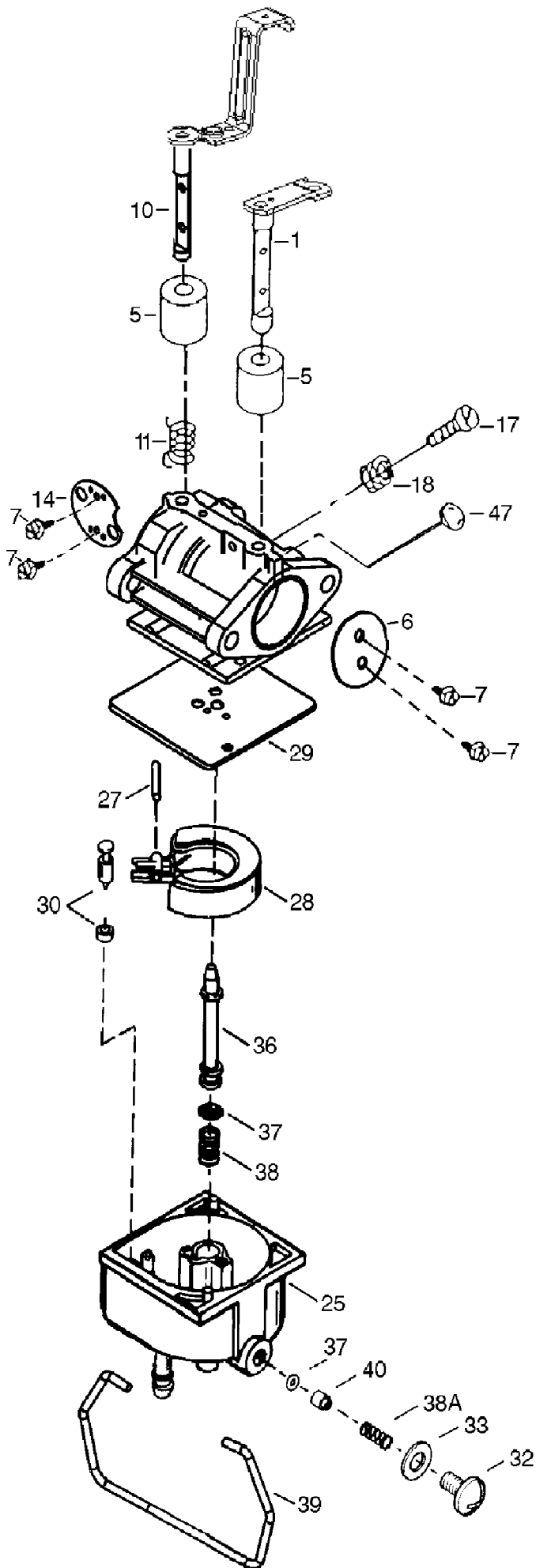


13A4616G190 LT-1650 (2003)
Carburetor TVT691-600405B

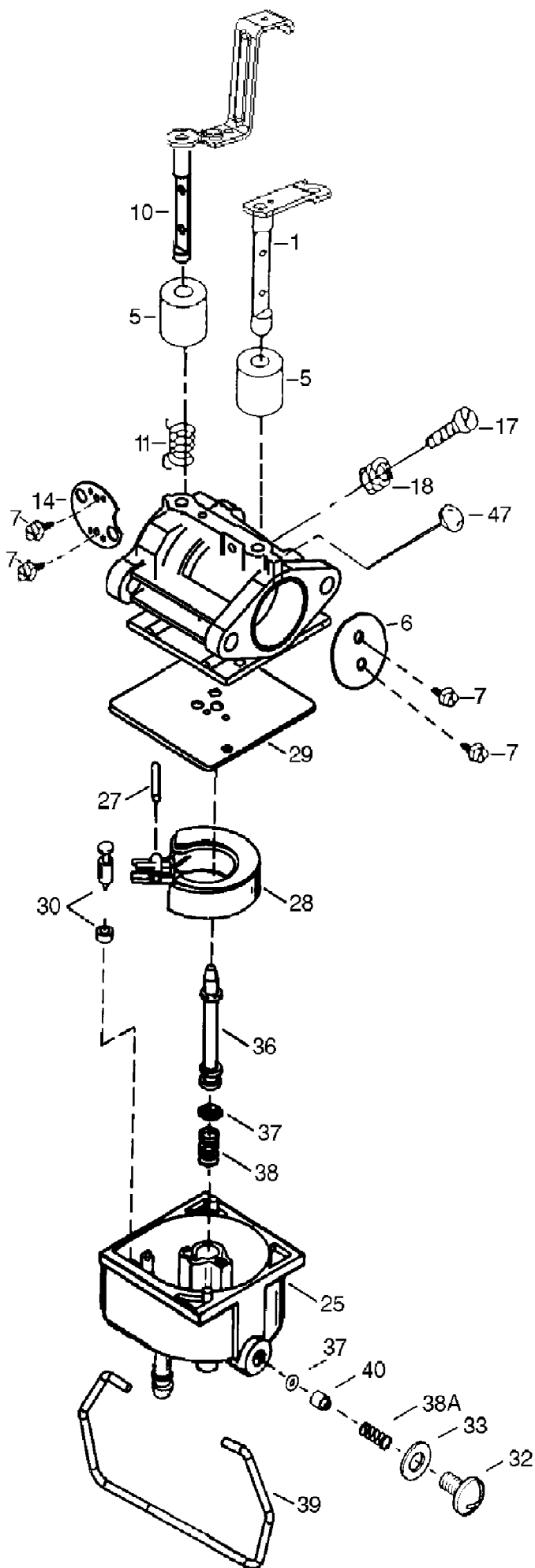


13A4616G190 LT-1650 (2003)
Carburetor TVT691-600405B

Page 2 of 39

Ref #	Part Number	Qty	S/P/F	Description
	TC-640221	1	/P	Carburetor (Incl 184 of Engine Parts Lists)
1	TC-640216	1		Throttle Shaft & Lever Assembly
5	TC-640037	1		Dust Seal
6	TC-640038	1		Throttle Shutter
7	TC-650506	1		Throttle & Choke Shutter Screws
10	TC-640217	1		Choke Shaft & Lever Assembly
11	TC-632785	1		Choke Return Spring
14	TC-64077	1		Choke Shutter
17	TC-651025	1		Throttle Crack Screw/Idle Speed Screw
18	TC-630766	1		Tension Spring
25	TC-640220	1		Float Bowl Assembly
?25A	TC-730649	1	/P	Float Bowl Repair Kit
27	TC-632544	1		Float Shaft
28	TC-632543	1	/P	Float
29	TC-640047	1	/P	Float Bowl to Body Gasket
30	TC-632709	1	/P	Inlet Needle & Seat
32	TC-640041	1		Bowl Drain Screw
33	TC-27110A	1		Bowl Drain Washer
36	TC-640067	1		Main Nozzle Tube
37	TC-632547	1		O-Ring
38	TC-632545	1	/P	Spring, Main Nozzle Tube
38A	TC-36918	1		Spring
39	TC-640218A	1		Float Bowl Retainer
40	TC-640219	1		Main Fuel Jet
47	TC-630748	1		Welch Plug, Idle Mixing Well

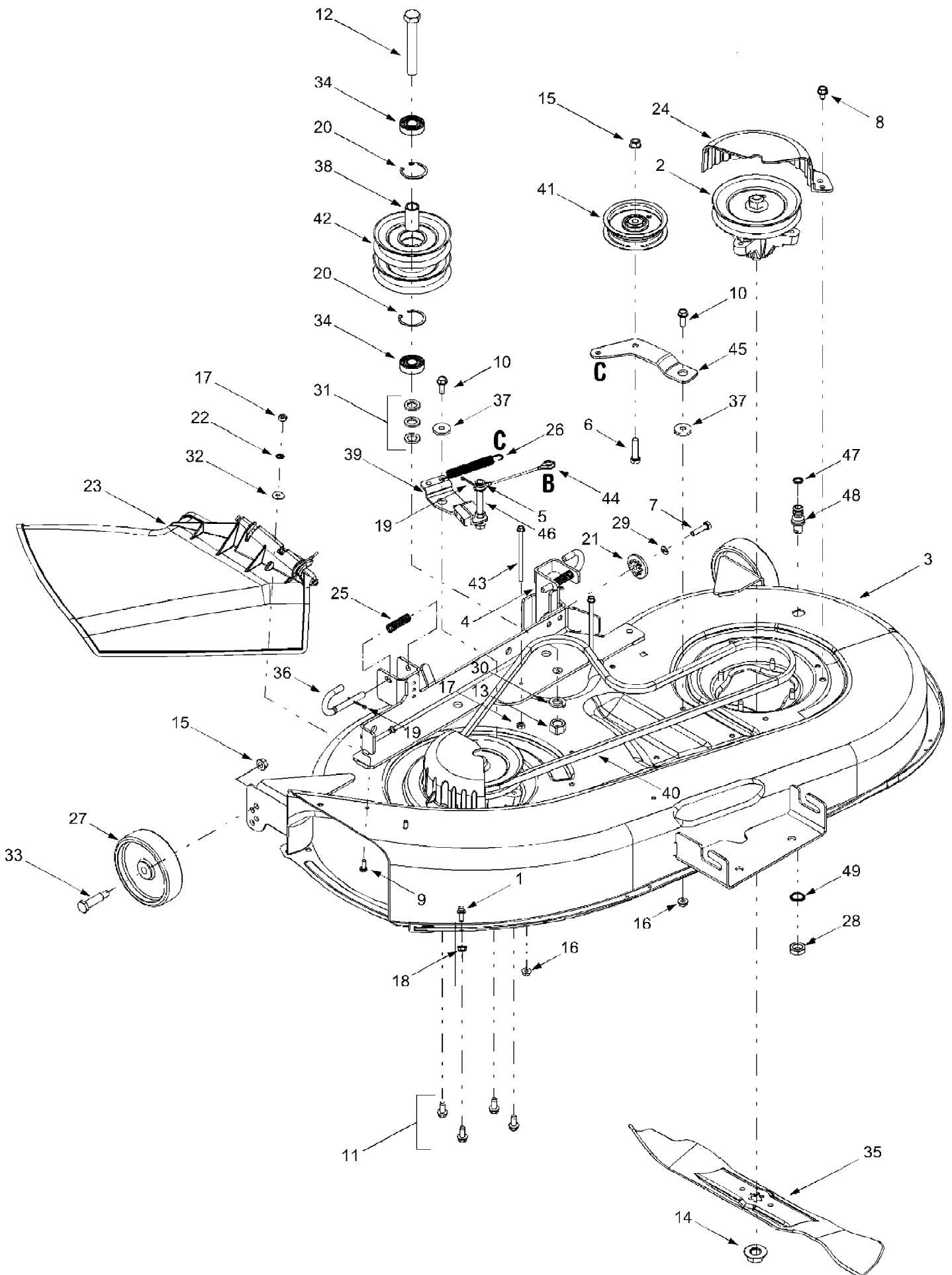
13A4616G190 LT-1650 (2003)
Carburetor TVT691-600810B



13A4616G190 LT-1650 (2003)
Carburetor TVT691-600810B

Page 4 of 39

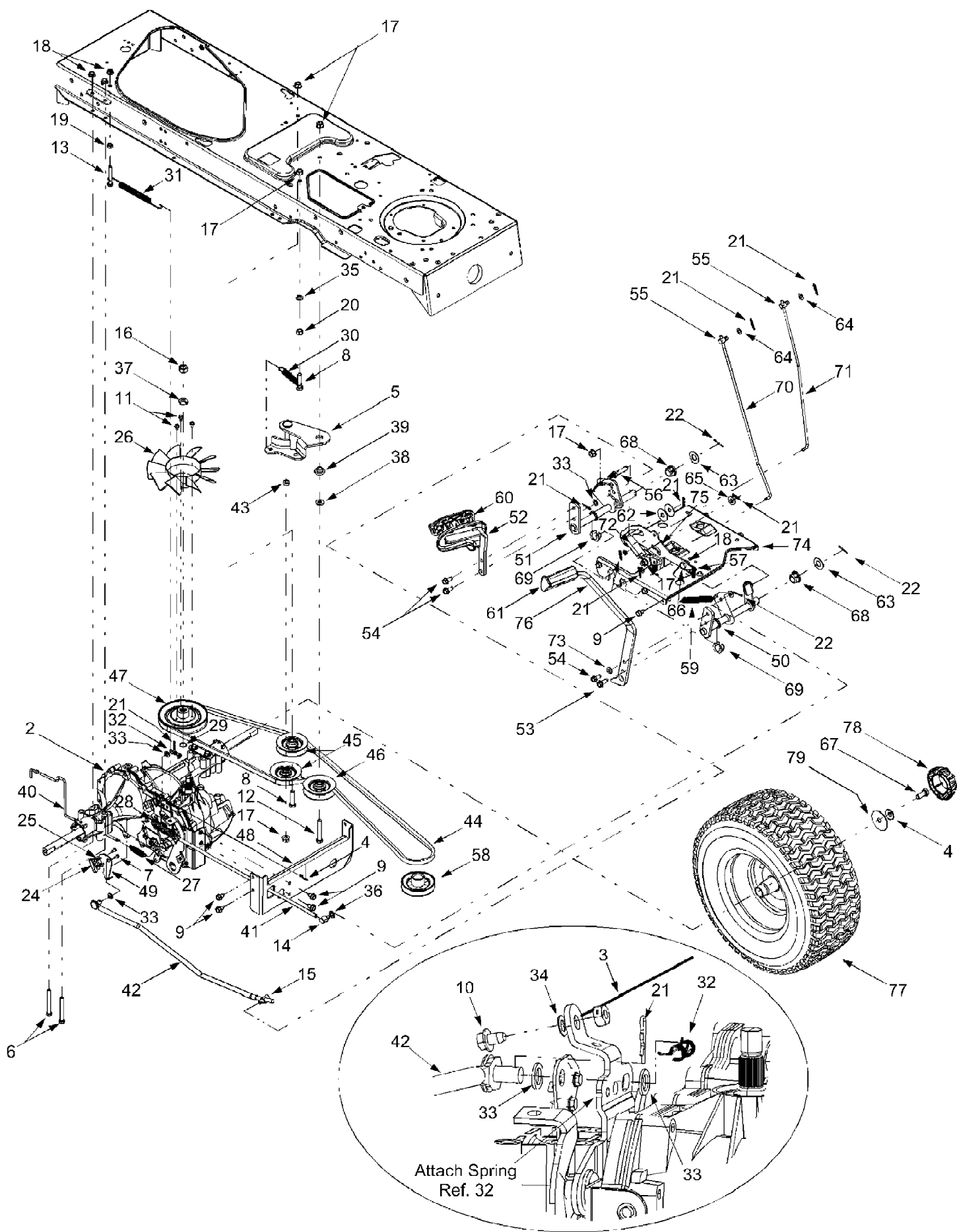
Ref #	Part Number	Qty	S/P/F	Description
	TC-640221	1	/P	Carburetor (Incl 184 of Engine Parts Lists)
1	TC-640216	1		Throttle Shaft & Lever Assembly
5	TC-640037	1		Dust Seal
6	TC-640038	1		Throttle Shutter
7	TC-650506	1		Throttle & Choke Shutter Screws
10	TC-640217	1		Choke Shaft & Lever Assembly
11	TC-632785	1		Choke Return Spring
14	TC-64077	1		Choke Shutter
17	TC-651025	1		Throttle Crack Screw/Idle Speed Screw
18	TC-630766	1		Tension Spring
25	TC-640220	1		Float Bowl Assembly
?25A	TC-730649	1	/P	Float Bowl Repair Kit
27	TC-632544	1		Float Shaft
28	TC-632543	1	/P	Float
29	TC-640047	1	/P	Float Bowl to Body Gasket
30	TC-632709	1	/P	Inlet Needle & Seat
32	TC-640041	1		Bowl Drain Screw
33	TC-27110A	1		Bowl Drain Washer
36	TC-640067	1		Main Nozzle Tube
37	TC-632547	1		O-Ring
38	TC-632545	1	/P	Spring, Main Nozzle Tube
38A	TC-36918	1		Spring
39	TC-640218A	1		Float Bowl Retainer
40	TC-640219	1		Main Fuel Jet
47	TC-630748	1		Welch Plug, Idle Mixing Well



13A4616G190 LT-1650 (2003)
Deck Assembly "G" 42 Inch

Page 6 of 39

Ref #	Part Number	Qty	S/P/F	Description
1	711-04069	1	S	Grass Catcher Pin, 1/4-20
2	618-0574	1	S	Spindle Assembly, 5.75 Dia. w/ Fitting
	756-0980	1		Pulley Only
3	683-04051	1		42-inch Deck Shell
4	683-0254	1	S	Deck Adjustment Bracket w/ Weld Nut
5	736-0140	1	S	Flat Washer, .385 x .62 x .063
6	710-0520	1	/P	Hex Cap Screw, 1/4-20 x 1.5
7	710-0528	1	/P	Hex Cap Screw, 5/16-18 x 1.25
8	710-0726	1	/P	Self-tapping Screw, 5/16-12 x .75
9	710-0751	1	/P	Hex Cap Screw, 1/4-20 x .62
10	710-1238	1	/P	Hex Head Washer Screw, 5/16-18 x .875
11	710-0650	1	/P	Self-tapping Screw, 5/16-18 x .875
12	710-3151	1	/P	Hex Cap Screw, 5/8-18 x .875
13	712-0337	1		Hex Nut, 5/8-18
14	712-0417A	1	/P	Hex Flange Nut, 5/8-18
15	712-0431	1	S	Flange Lock Nut, 3/8-16
16	712-3004A	1	/P	Flange Lock Nut, 5/16-18
17	712-3006	1	/P	Hex Nut, 1/4-20
18	712-3027	1	S	Hex Flange Lock Nut, 1/4-20
19	714-0470	1	S	Cotter Pin, 1/8 x 1.25
20	716-3020	1	S	Internal Snap Ring
21	717-1553B	1	S	Deck Adjustment Gear
22	726-0233	1	/P	Push Nut. .25 x .5
23	731-1032B	1	S	Side Discharge Chute Assembly
24	731-2486	1	S	Belt Cover
25	732-0306	1	S	Compression Spring, .406 x .531 x 1.
26	732-0470A	1	S	Extension Spring, .50 x 4.74
27	734-0973	1	/P	Deck Wheel, 5 x 1.38
28	712-0641	1	S	Hex Nut, M-16 x 1.5
29	736-0119	1	S	Lock Washer, 5/16
30	736-0158	1	S	Lock Washer, 5/8
31	736-0162	1	/P	Flat Washer, .64 x 1.0 x .12
32	736-0270	1	/P	Bell Washer, .265 x .75 x .062
33	738-0373	1	S	Shoulder Screw, .498 x 1.53
34	741-0524	1	S	Bearing, .625 x 1.574 x .470
35	742-0616A	1	S	Three-in-one Blade, Star Center, 21.23"
36	747-1116	1	/P	Deck Release Pin
37	748-0331	1	S	Shoulder Spacer, .625 x .324
38	750-0932A	1	S	Spacer, .635 x .88 x 1.72
39	683-0440	1		Deck Brake Assembly
40	754-0498	1	S	Deck Belt
41	756-0627B	1	S	Idler Pulley, 3.5
42	756-1202	1		Double Pulley, 5.0
43	710-1830	1		Self-tapping Screw, 1/4-20 x 4.0
44	746-0970	1		Brake Cable, 5.05
45	783-1291	1	S	Idler Bracket
46	711-1534	1		Pin, 3/8-16, 3/8 x 3.27
47	721-0417	1	S	O-Ring
48	737-04003	1	S	Water Nozzle
49	736-0760	1	S	Lock Washer, 17 x 23.8 x 1.95



13A4616G190 LT-1650 (2003)
Drive & Rear Wheels

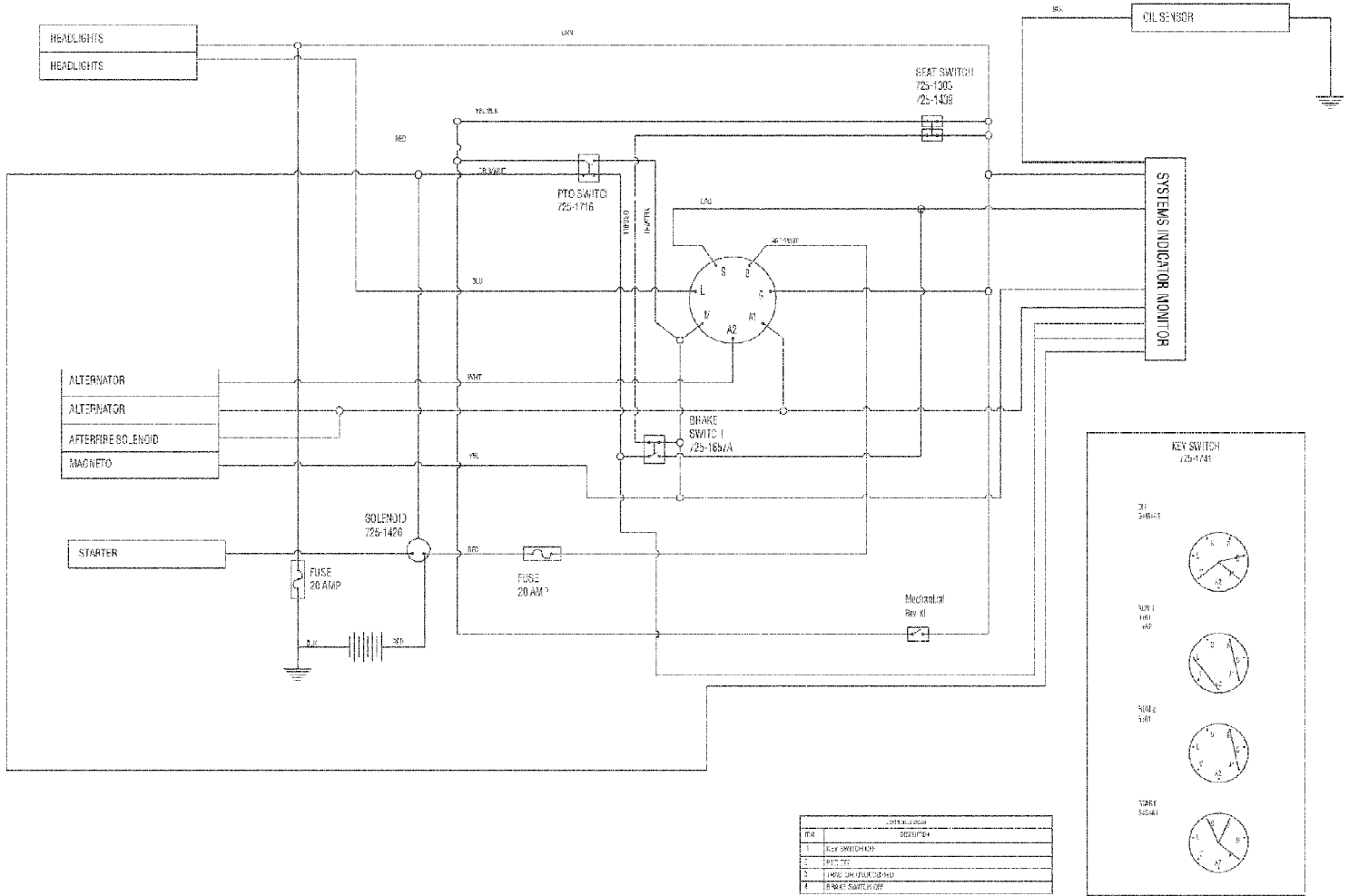
Page 8 of 39

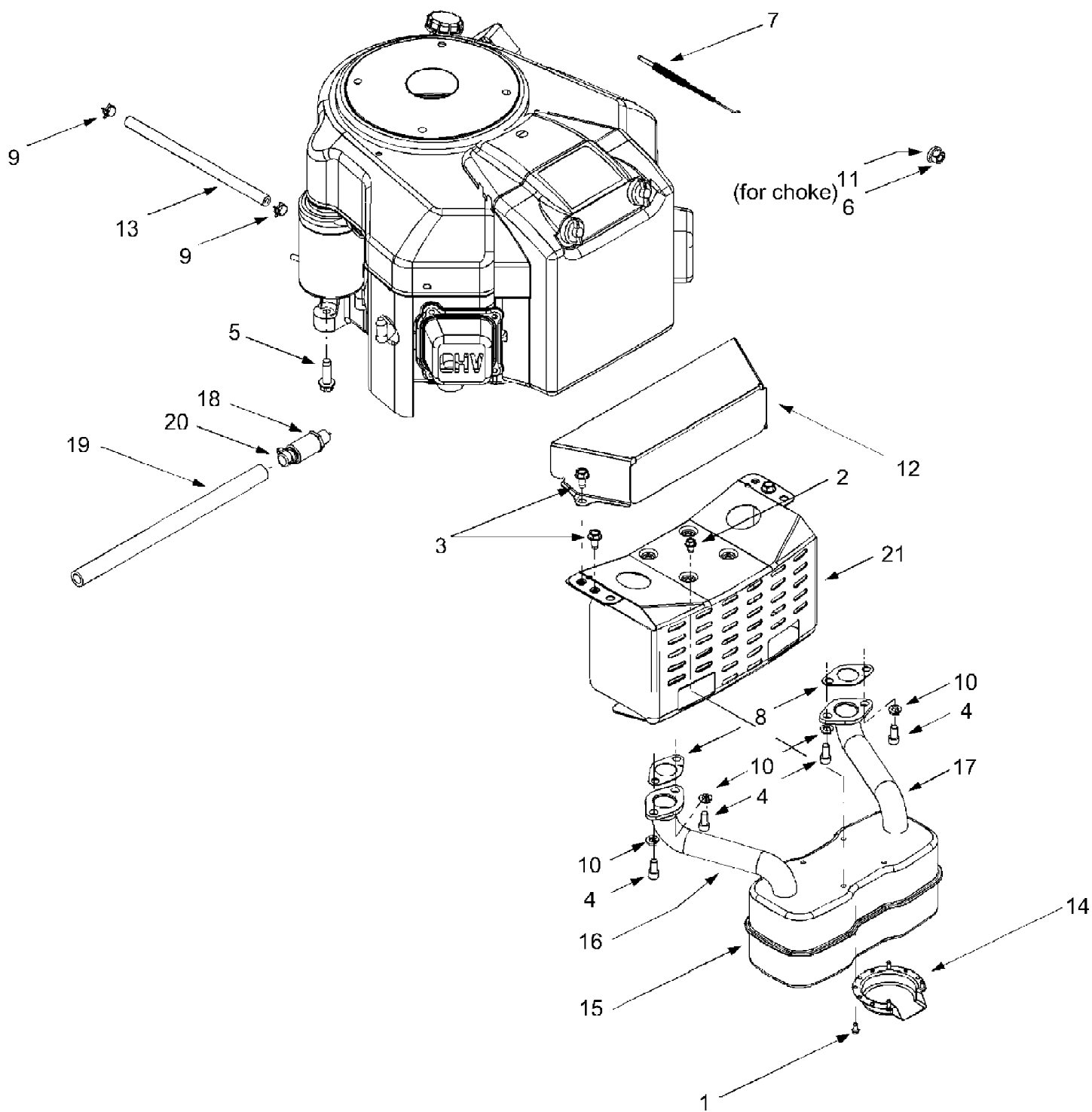
Ref #	Part Number	Qty	S/P/F	Description
1	17840	1	S	Transaxle Mounting Bracket
2	618-0319	1	S	Hydrostatic Transmission
3	629-0949A	1		Reverse Wire Harness Adapter & Ground
4	736-0242	1	/P	Bell Washer, .34 x .872
5	683-0251	1		Double Idler Bracket Assembly
6	710-0176	1	/P	Hex Cap Screw, 5/16-18 x 2.75
7	710-0227	1	/P	Screw, #8-18 x .5
8	710-0344	1	/P	Hex Cap Screw, 3/8-16 x 1.5
9	710-0604A	1	/P	Self-tapping Screw, 5/16-18 x .625
10	710-0599	1	/P	Self-tapping Screw, 1/4-20 x .5
11	710-3007	1	/P	Screw, #12-24 x .375
12	710-3011	1	/P	Hex Cap Screw, 3/8-16 x 2.25
13	710-3103	1	/P	Hex Cap Screw, 5/16-18 x 2.0
14	711-0677	1	S	Ferrule, 5/16-18
15	711-0832	1	S	Ferrule, 3/8-24
16	712-0333	1	S	Hex Nut, 1/2-20
17	712-0431	1	S	Flange Lock Nut, 3/8-16
18	712-3004A	1	/P	Flange Lock Nut, 5/16-18
19	712-3010	1	S	Hex Nut, 5/16-18
20	712-3017	1	S	Hex Nut, 3/8-16
21	714-0104	1	S	Internal Cotter Pin
22	714-0111	1	S	Cotter Pin
23	725-0157	1	/P	Cable Tie
24	725-1644	1		Short Spring Switch
25	726-0320	1	S	Insulator Nut Plate
26	731-1449A	1	S	10-inch Fan
27	732-0209	1	S	Extension Spring, .48 x 2.03
28	732-0716	1	S	Extension Spring, .59 x 4.0
29	732-0729	1	/P	Wire Ring
30	732-0429A	1	S	Extension Spring, .5 x 3.97
31	732-0994	1		Extension Spring, .5 x 7.0
32	732-3118	1		Extension Spring, 3/8 x 1.44
33	736-0140	1	S	Flat Washer, .385 x .62 x .063
34	736-0142	1	S	Flat Washer, .281 x .50 x .063
35	736-0169	1	S	Lock Washer, 3/8
36	736-0275	1	S	Flat Washer, .344 x .688 x .065
37	736-0921	1	S	Lock Washer, 1/2
38	736-3010	1		Flat Washer, .407 x .812 x .135
39	738-0372B	1	/P	Shoulder Spacer, .38
40	747-1149	1		Hydrostatic Bypass Rod
41	747-1150	1		Hydrostatic Brake Rod
42	747-1151	1		Hydrostatic Control Rod
43	750-0535	1	S	Spacer, .376 x .625 x .22
44	754-0349	1	S	Drive Belt
45	756-0116	1	S	V-idler Pulley, 3.06
46	756-0981A	1	S	Flat Idler Pulley, 2.75
47	756-1166	1		Input Pulley, 5.0
48	783-0810	1	S	Transmission Torque Bracket
49	783-1019	1	S	Switch Actuator Bracket
50	647-0031B	1	S	Brake Control Assembly
51	647-0049	1	S	Drive Control Assembly
52	683-0267C	1	/P	Hydro Pedal Assembly
53	710-0650	1	/P	Self-tapping Screw, 5/16-18 x .875

13A4616G190 LT-1650 (2003)
Drive & Rear Wheels

Page 9 of 39

Ref #	Part Number	Qty	S/P/F	Description
54	710-1611B	1	/P	Self-tapping Screw, 5/16-18 x .75
55	711-0736	1	/P	Ferrule, 1/4-20
56	711-1363	1		Pin, 3/8-16 x 2.43
57	732-0335	1		Compression Spring, .405 OD x 1.17
58	756-0983B	1	/P	Engine Pulley (LT-1650)
58	756-0978A	1	S	Engine Pulley (LT-1850)
59	732-0963	1		Extension Spring, .50 OD x 6.37
60	735-0662	1		Drive Pedal Pad
61	735-3049	1	S	Brake Pedal Pad
62	736-0133	1	S	Flat Washer, .411 x 1.25 x 1.0
63	736-0187	1	/P	Flat Washer, .64 x 1.24 x .06
64	736-0204	1	/P	Flat Washer, .344 x .062 x .03
65	736-3004	1	S	Flat Washer, .406 x .875 x .105
66	738-0155	1	S	Shoulder Screw, .437 x 1.62
67	710-0627	1	/P	Hex Cap Screw, 5/16-24 x .75
68	741-0225	1	S	Hex Flange Bearing
69	741-3065B	1	/P	Split Hex Flange Bearing
70	747-1137	1		Cruise Control Rod
71	747-1138	1		Brake Lock Control Rod
72	748-0413	1		Cruise Latch
73	736-3008	1	S	Flat Washer, .344 x .750 x .120
74	783-0653F	1	S	Steering Support Bracket
75	783-0663C	1	S	Drive Lockout Bracket
76	783-0773	1		Brake Pedal
77	634-0104	1		Wheel Assembly Complete, 20 x 8 x 8 Used on Model LT-1650
77	634-0177	1	/P	Wheel Assembly Complete, 20 x 10 x 8 Used on Model LT-1850
77	634-0070	1	/P	Rim Assembly Only (Not Shown)
77	734-0255	1	S	Air Valve (Not Shown)
77	734-1730	1		Tire Only, 20 x 8 x 8, Square Shoulder Used on Model LT-1650 (Not Shown)
77	734-1873	1		Tire Only, 20 x 10 x 8, Square Shoulder Used on Model LT-1850 (Not Shown)
78	731-2290A	1	/P	Deluxe Hub Cap
79	736-0430	1	/P	Flat Washer, .350 x 1.59 x .062

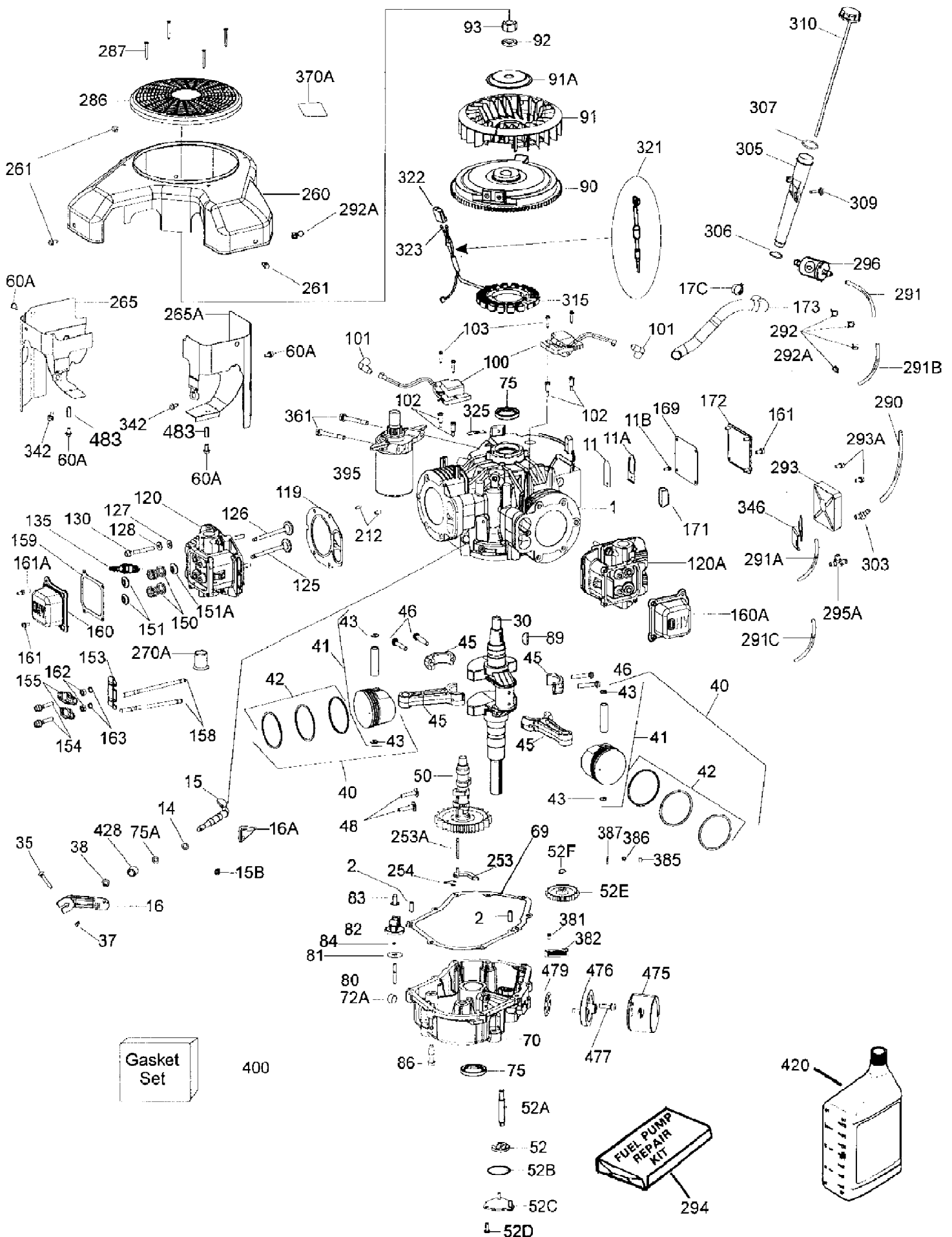




13A4616G190 LT-1650 (2003)
Engine Accessories

Page 12 of 39

Ref #	Part Number	Qty	S/P/F	Description
1	710-0227	1	/P	Screw, #8-18 x .5
2	710-0599	1	/P	Self-tapping Screw, 1/4-20 x .5
3	710-0726	1	/P	Self-tapping Screw, 5/16-12 x .75
4	710-1314A	1	/P	Socket Cap Screw, 5/16-18 x .625
5	710-1315	1	/P	Self-tapping Screw, 3/8-16 x 1.25
6	712-3017	1	S	Hex Nut, 3/8-16
7	746-1086	1	S	Throttle Cable
8	721-0460	1		Exhaust Gasket
9	726-0205	1	/P	Hose Clamp
10	736-0119	1	S	Lock Washer, 5/16
11	736-0300	1	S	Lock Washer, .406 x .875 x .059
12	783-0625C	1	/P	Engine Heat Shield
13	751-0535	1		Fuel Line Hose
14	751-0564	1	S	Muffler Deflector
15	751-0616	1	S	Muffler, Twin Inlet
16	751-0814	1	S	RH Exhaust Pipe
17	751-0813	1	S	LH Exhaust Pipe
18	751-3140	1	S	Oil Drain Valve
19	751-3141	1	S	Oil Drain Hose
20	751-3142	1		Oil Drain Cap
21	783-0615B	1	S	Muffler Heat Shield



13A4616G190 LT-1650 (2003)
Engine List 1 TVT691-600405B

Page 14 of 39

Ref #	Part Number	Qty	S/P/F	Description
1		1		UNKNOWN
2	TC-27652	1		Dowel Pin
11	TC-36302	1		Check Valve
11A	TC-36303	1		Breather Plate
11B	TC-650990	1		Screw, 10-32 x 7/16"
14	TC-37363	1		Washer
15	TC-37364	1		Governor Rod
15B	TC-650738	1		Screw, 1/4-20 x 5/8"
16	TC-37413	1		Governor Lever
16A	TC-37414	1		Governor Spring Bracket
17C	TC-37429	1		Breather Tube Clamp
30	TC-37371	1	S	Crankshaft
35	TC-651069	1		Screw, Carriage 1/4-20 x 1-1/2"
37	TC-650456	1		Lock Nut, 1/4-20
38	TC-37365	1		Retaining Ring
40	TC-40040	1		Piston, Pin & Ring Set (Std.)
40	TC-40041	1		Piston, Pin & Ring Set (.010" OS)
41	~N/A	1		Piston & Pin Ass'y. (Std.), (.010" OS) (Incl. 43)
42	TC-40013	1		Ring Set (Std.)
42	TC-40014	1		Ring Set (.010"OS)
43	TC-27888	1		Piston Pin Retaining Ring
45	TC-37372	1		Connecting Rod Ass'y (Incl. 46)
46	TC-651063	1		Connecting Rod Bolt
48	TC-37373	1		Valve Lifter
50	TC-37374	1	S	Camshaft (MCR)
52	TC-37305	1		Oil Pump Ass'y.
52A	TC-37382	1		Oil Pump Shaft
52B	TC-36333	1		"O" Ring
52C	TC-36334	1		Oil Pump Cover (Incl. 52B)
52D	TC-650888	1		Screw, T-30 1/4-20 x 43/64"
52E	TC-37383	1		Oil Pump Gear
52F	TC-37384	1		Oil Pump Gear Retaining Ring
60A	TC-65105	1		Screw, 1/4-20 x 1/2"
63		1		UNKNOWN
69	TC-37377	1	/P	Mounting Flange Gasket
70	TC-37378	1		Mounting Flange (Incl. 72, 72A, 75, 80, 381-387)
72A	TC-28483	1		Oil Drain Plug 3/8-18
75	TC-36301	1	/P	Oil Seal (1 in Ref 1, 1 in Ref 70)
75A	TC-37369	1		Oil Seal (Governor Shaft)
80	TC-37379	1		Governor Shaft
81	TC-37381	1		Washer (Governor Shaft)
82	TC-37380	1		Governor Gear Ass'y.
84	TC-29193	1		Retaining Ring
86	TC-651064	1		Screw, 5/16-18 x 1-15/32"
89	TC-650592	1		Flywheel Key
90	TC-611243	1		Flywheel (Incl. 91 & 91A)
91	TC-611241	1	S	Flywheel Fan
91A	TC-611242	1		Flywheel Retainer
92	TC-650666	1		Flywheel Lock Washer
93	TC-650594	1		Flywheel Lock Washer

13A4616G190 LT-1650 (2003)
Engine List 1 TVT691-600405B

Page 15 of 39

Ref #	Part Number	Qty	S/P/F	Description
100	TC-37395	1	/P	Solid State Ignition (Incl. 101)
101	TC-610118	1		Spark Plug Cover
102	TC-651024	1		Solid State Mounting Stud
103	TC-651007	1		Screw, T-15 10-24 x 15/16"
119	TC-37388	1		Cylinder Head Gasket Kit (P)
120	TC-37387	1		Cylinder Head, Opp. Breather Side
120A	TC-37389	1		Cylinder Head, Breather Side
125	TC-36934	1		Exhaust Valve (Std.)
126	TC-36935	1		Intake Valve (Std)
127	TC-650691	1		Flat Washer
128	TC-650690	1		Belleville Washer
130	TC-650697A	1		Screw, 5/16-18 x 2-1/2"(Head Mount)
135	TC-34645	1	/P	Spark Plug (RN4C)
150	TC-33507	1		Valve Spring
151	TC-33508	1		Valve Keeper Retainer & Cap Set
151A	~N/A	1		Valve Seal
153	TC-37390	1		Push Rod Guide
154	TC-650945	1		Rocker Arm Stud
155	TC-35950	1		Rocker Arm
158	TC-37391	1	/P	Push Rod
159	TC-35952	1	/P	Rocker Arm Cover Gasket Kit (P)
160	TC-35953A	1		Rocker Arm Cover, Opp. Breather Side
160A	TC-37392	1		Rocker Arm Cover, Breather Side
161	TC-30063	1		Screw, T-30 1/4-20 x 1/2"
161A	TC-651034	1		Stud, Valve Cover Mounting
162	TC-650947	1		Rocker Arm Jam Nut, 5/16-24
163	TC-650890	1		Internal Lock Washer, 5/16"
169	TC-37367	1		Valve Cover Gasket Kit (P)
171	TC-37366	1		Breather Element
172	TC-37368	1		Valve Cover
173	TC-37393	1	S	Breather Tube
212	TC-37370	1		Bushing
253	TC-37376	1		Compression Release Weight
253A	TC-37424	1		Compression Release Pin
254	TC-37375	1		Compression Release Spring
260	TC-37398	1		Blower Housing (Red)
261	TC-650737	1		Screw, 1/4-20 x 1/2"
265	TC-37627	1		Cylinder Head Cover, Opp. Breather
265A	TC-37628	1		Cylinder Head Cover, Breather Side
270A	TC-35829A	1		Exhaust Port Liner
286	TC-37394	1		Flywheel Screen
287	TC-651066	1		Screw, T-20 8-18 x 1-15/32"
290	TC-30962	1		Fuel Line (16.75")
291	~N/A	1		Fuel Line 291B N/A, 291C N/A
291A	TC-29774	1		Fuel Line (8-1/4")
291B		1		UNKNOWN
291C		1		UNKNOWN
292	TC-26460	1	/P	Fuel Line Clamp
292A	TC-37399	1	S	Fuel Line Retainer
293	TC-35787	1	S	Pulse Pump
293A	TC-650931	1		Screw, 8-32 x 1-1/2"
294	TC-35791	1		Pulse Pump Repair Kit
295A	TC-37422	1		

Ref #	Part Number	Qty	S/P/F	Description
296	TC-34279B	1	/P	Fuel Filter (Incl. 292)
303	TC-32958	1		Pulse Pump/Fuel Fitting
305	TC-36349	1		Oil Fill Tube
306	TC-37401	1		O-Ring (Oil Fill, Bottom) Kit (P)
307	TC-35499	1	/P	O-Ring (Oil Fill, Top)
309	TC-650974	1		Screw, 1/4-20 x 57/64"
310	TC-37421	1		Dipstick
315	TC-611181	1		Alternator Coil (3/5 Split) (Incl. 321-323)
321	TC-611161	1	/P	Diode
322	TC-611142	1		Connector Body
323	TC-611118	1		Terminal
325	TC-36342	1		Wire Clip
342	TC-651031	1		Screw, 1/4-20 x 9/16"(Ref. 240 & 265)
346	TC-36413	1		Fuel Pump Bracket
361	TC-651065	1		Screw, 5/16-18 x 2-3/8"
370A	TC-35274	1		Lubrication Decal
381	TC-650767	1		Screw, 8-32 x 27/64"
382	TC-36931	1		Oil Strainer Screen
385	TC-570673	1		Ball
386	TC-36329	1		Pressure Release Spring
387	TC-37652	1		Cotter Pin
395	TC-37284	1	/P	Electric Starter Motor (12 Volt)
400	TC-37423	1		Gasket Set (Incl. Items Marked PK in Notes)
420		1		UNKNOWN
428	TC-37362	1		Spacer
475	TC-36563	1	/P	Oil Filter
476	TC-36929	1	/P	Oil Filter Adaptor (Incl. 479)
477	TC-650378	1		Screw, T-30 5/16-18 x 1 3/32"
479	TC-36930	1		Oil Filter Adaptor Gasket Kit (P)
483	TC-37629	1		Cylinder Wrap Spacer

13A4616G190 LT-1650 (2003)
Engine List 1 TVT691-600810B

Page 18 of 39

Ref #	Part Number	Qty	S/P/F	Description
1		1		UNKNOWN
2	TC-27652	1		Dowel Pin
11	TC-36302	1		Check Valve
11A	TC-36303	1		Breather Plate
11B	TC-650902	1		Screw, 10-32 x 7/16"
14	TC-37363	1		Washer
15	TC-37364	1		Governor Rod
15B	TC-650738	1		Screw, 1/4-20 x 5/8"
16	TC-37413	1		Governor Lever
16A	TC-37414	1		Governor Spring Bracket
17C	TC-37429	1		Breather Tube Clamp
30	TC-37371	1	S	Crankshaft
35	TC-651069	1		Screw, Carriage 1/4-20 x 1-1/2"
37	TC-650456	1		Lock Nut, 1/4-20
38	TC-37365	1		Retaining Ring
40	TC-40040	1		Piston, Pin & Ring Set (Std.)
40	TC-40041	1		Piston, Pin & Ring Set (.010"OS)
41	~N/A	1		Piston & Pin Ass'y. (Std.), (.010"OS) (Incl. 43)
42	TC-40013	1		Ring Set (Std.)
42	TC-40014	1		Ring Set (.010"OS)
43	TC-27888	1		Piston Pin Retaining Ring
45	TC-37372	1		Connecting Rod Ass'y. (Incl. 46)
46	TC-651063	1		Connecting Rod Bolt
48	TC-37373	1		Valve Lifter
50	TC-37374	1	S	Camshaft (MCR)
52	TC-37305	1		Oil Pump Ass'y.
52A	TC-37382	1		Oil Pump Shaft
52B	TC-36333	1		"O" Ring
52C	TC-36334	1		Oil Pump Cover (Incl. 52B)
52D	TC-650888	1		Screw, T-30 1/4-20 x 43/64"
52E	TC-37383	1		Oil Pump Gear
52F	TC-37384	1		Oil Pump Gear Retaining Ring
60A	TC-650773	1		Screw, 1/4-20 x 1/2"
69	TC-37377	1	/P	Mounting Flange Gasket
70	TC-37378	1		Mounting Flange (Incl. 72, 72A, 75, 80, 381-387)
72A	~N/A	1		Oil Drain Plug 3/8-18
75	TC-36301	1	/P	Oil Seal (1 in Ref 1, 1 in Ref 70)
75A	TC-37369	1		Oil Seal (Governor Shaft)
80	TC-37379	1		Governor Shaft
81	TC-37381	1		Washer (Governor Shaft)
82	TC-37380	1		Governor Gear Ass'y.
83	TC-35322	1		Governor Spool
84	TC-29193	1		Retaining Ring
86	TC-651064	1		Screw, 5/16-18 x 1-15/32"
90	TC-611243	1		Flywheel (Incl. 91 & 91A)
91	TC-611241	1	S	Flywheel Fan
91A	TC-611242	1		Flywheel Retainer
92	TC-651082	1		Belleville Washer
93	TC-650594	1		Flywheel Nut
100	TC-37395	1	/P	Solid State Ignition (Incl. 101)
101	TC-610118	1		Spark Plug Cover

13A4616G190 LT-1650 (2003)
Engine List 1 TVT691-600810B

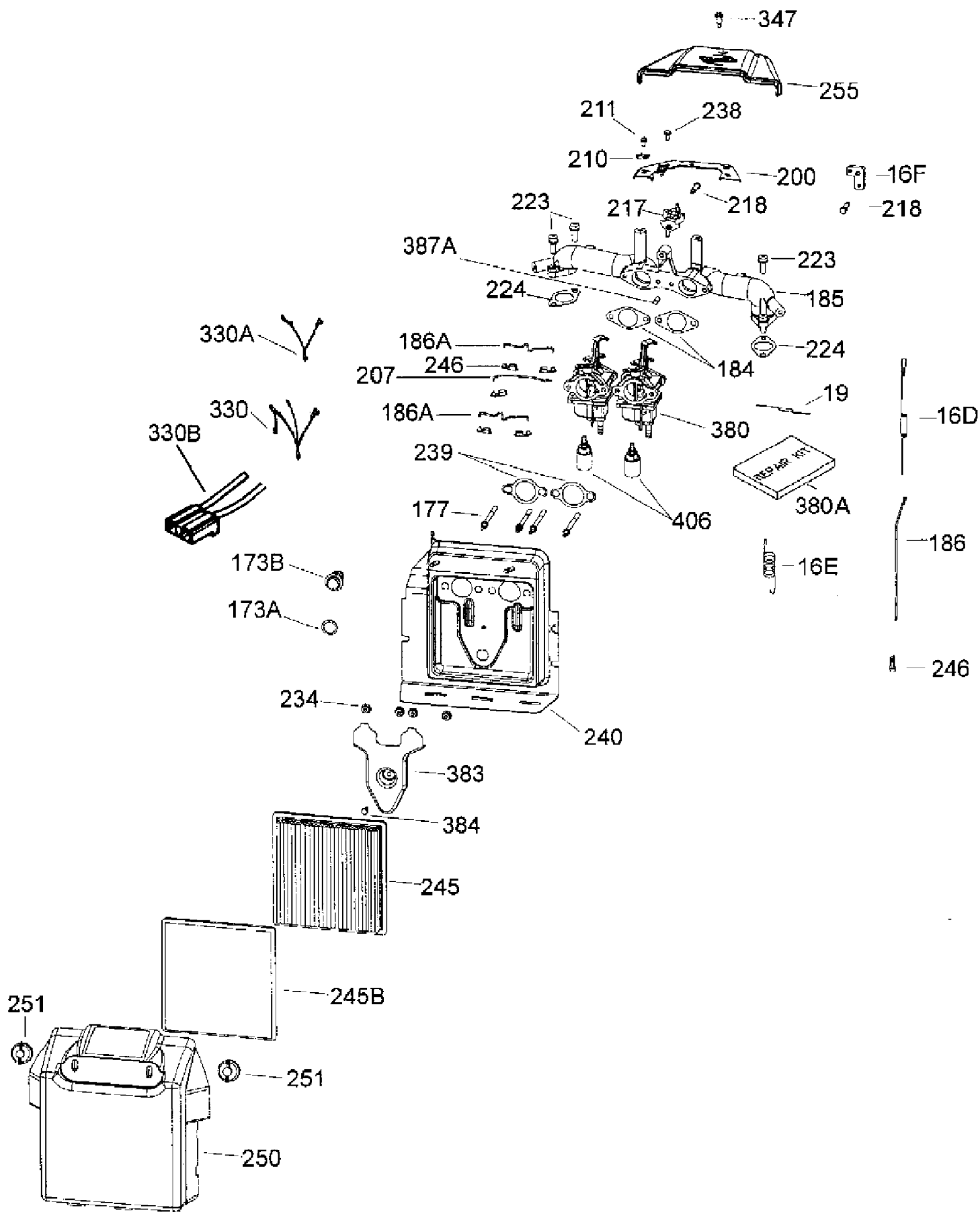
Page 19 of 39

Ref #	Part Number	Qty	S/P/F	Description
102	TC-651024	1		Solid State Mounting Stud
103	TC-651007	1		Screw, T-15 10-24 x 15/16"
119	TC-37388	1		Cylinder Head Gasket Kit (P)
120	TC-37387	1		Cylinder Head, Opp. Breather Side
120A	TC-37389	1		Cylinder Head, Breather Side
125	TC-36934	1		Exhaust Valve (Std.)
126	TC-36935	1		Intake Valve (Std)
127	TC-650691	1		Flat Washer
128	TC-650690	1		Belleville Washer
130	TC-650697A	1		Screw, 5/16-18 x 2-1/2" (Head Mount)
135	TC-34645	1	/P	Spark Plug (RN4C)
150	TC-33507	1		Valve Spring
151	TC-33508	1		Valve Keeper Retainer & Cap Set
151A	TC-35862	1		Valve Seal
153	TC-37390	1		Push Rod Guide
154	TC-650945	1		Rocker Arm Stud
155	TC-35950	1		Rocker Arm
158	TC-37391	1	/P	Push Rod
159	TC-35952	1	/P	Rocker Arm Cover Gasket Kit (P)
160	TC-35953A	1		Rocker Arm Cover, Opp. Breather Side
160A	TC-37392	1		Rocker Arm Cover, Breather Side
161	TC-30063	1		Screw, T-30 1/4-20 x 1/2"
161A	TC-651034	1		Stud, Valve Cover Mounting
162	TC-650947	1		Rocker Arm Jam Nut, 5/16-24
163	TC-650890	1		Internal Lock Washer, 5/16"
169	TC-37367	1		Valve Cover Gasket Kit (P)
171	TC-37366	1		Breather Element
172	TC-37368	1		Valve Cover
173	TC-37393	1	S	Breather Tube
212	TC-37370	1		Bushing
253	TC-37376	1		Compression Release Weight
253A	TC-37424	1		Compression Release Pin
254	TC-37375	1		Compression Release Spring
260	TC-37398	1		Blower Housing (Red)
261	TC-650737	1		Screw, 1/4-20 x 1/2"
265A	TC-37628	1		Cylinder Head Cover, Breather Side
270A	TC-35829A	1		Exhaust Port Liner
285		1		UNKNOWN
286	TC-37394	1		Flywheel Screen
287	TC-651066	1		Screw, T-20 8-18 x 1-15/32"
290	TC-30962	1		Fuel Line (16.75")
291	~N/A	1		Fuel Line (1.56")
291A	~N/A	1		Fuel Line (8-1/4")
291B		1		UNKNOWN
291C	TC-34357	1		Fuel Line (6.75")
292	TC-26460	1	/P	Fuel Line Clamp
292A	TC-37399	1	S	Fuel Line Retainer
293	TC-35787	1	S	Pulse Pump
293A	TC-650931	1		Screw, 8-32 x 1-1/2"
294		1		UNKNOWN
295A	TC-37422	1	S	Fuel Fitting
296	TC-37768	1	/P	Fuel Filter (Incl. 292)
303	TC-32958	1		Fuel Fitting

13A4616G190 LT-1650 (2003)
Engine List 1 TVT691-600810B

Page 20 of 39

Ref #	Part Number	Qty	S/P/F	Description
305	TC-36349	1		Oil Fill Tube
306	TC-37401	1		O-Ring (Oil Fill, Bottom) Kit (P)
307	TC-35499	1	/P	O-Ring (Oil Fill, Top)
309	TC-650974	1		Screw, 1/4-20 x 5/16"
310	TC-37421	1		Dipstick
315	TC-611280	1	/P	Alternator Coil (3/5 Split) (Incl. 321-323)
321	TC-611161	1	/P	Diode
322	TC-611281	1		Connector Body
323	TC-611282	1		Terminal
325	TC-36342	1		Wire Clip
342	TC-651031	1		Screw, 1/4-20 x 9/16"(Ref. 240 & 265)
346	TC-36413	1		Fuel Pump Bracket
361	TC-651065	1		Screw, 5/16-18 x 2-3/8"
370A	TC-35274	1		Lubrication Decal
381	TC-650767	1		Screw, 8-32 x 27/64"
382	TC-36931	1		Oil Strainer Screen
385	TC-570673	1		Ball
386	TC-36329	1		Pressure Release Spring
387	TC-37652	1		Cotter Pin
395	TC-37284	1	/P	Electric Starter Motor (12 Volt)
400	TC-37423	1		Gasket Set (Incl. Items Marked PK in Notes)
420		1		UNKNOWN
428	TC-37362	1		Spacer
475	TC-36563	1	/P	Oil Filter
476	TC-36929	1	/P	Oil Filter Adaptor (Incl. 479)
477	TC-650378	1		Screw, T-30 5/16-18 x 1 3/32"
479	TC-36930	1		Oil Filter Adaptor Gasket Kit (P)
483		1		UNKNOWN



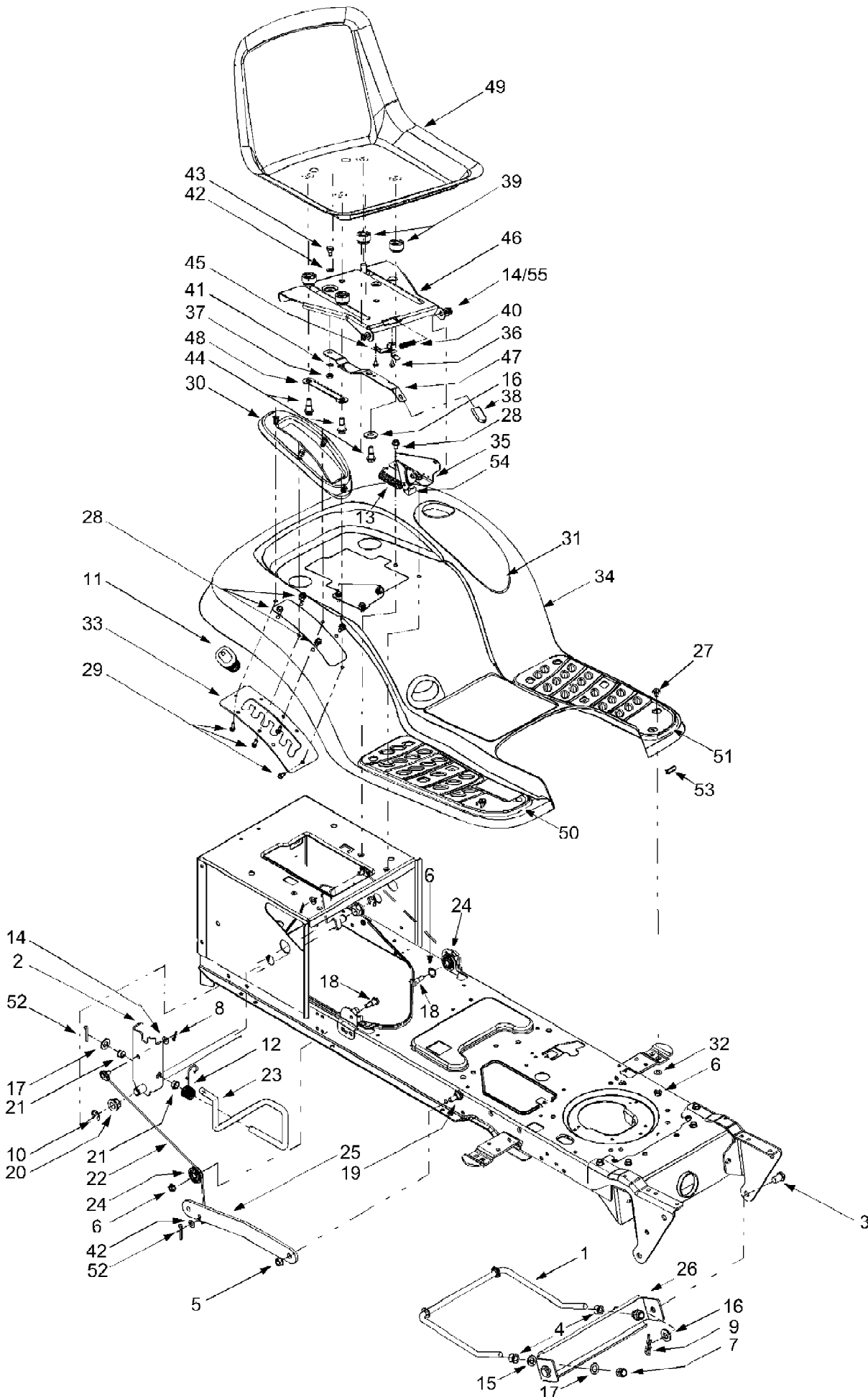
13A4616G190 LT-1650 (2003)
Engine List 2 TVT691-600405B

Page 22 of 39

Ref #	Part Number	Qty	S/P/F	Description
16D	TC-37415	1		Governor Spring, Hi-speed
16E	TC-37417	1		Governor Idle Spring
16F	TC-37418	1		Bell Crank Lever
19	TC-37416	1		Throttle Spring
173A	TC-37410	1		Breather Tube Grommet
173B	TC-37409	1		Breather Tube Fitting
177	TC-651067	1		Carburetor Mounting Stud
184	TC-36352	1	/P	Carburetor to Intake Pipe Gasket Kit (P)
185	TC-37396	1		Intake Pipe (Incl. 387A)
186	TC-37404	1		Governor Link
186A	TC-37405	1		Choke Link
200	TC-37400	1		Control Bracket
207	TC-37406	1		Throttle Link
210	TC-27793	1	/P	Conduit Clip
211	TC-28942	1	/P	Screw, 10-32 x 3/8"
217	TC-37419	1		Control Lever
218	TC-651070	1		Screw, 10-32 x 1-1/4"
223	TC-650971	1		Screw, T-30 5/16-18 x 7/8"
224	TC-33515A	1		Intake Pipe Gasket (Pipe to Head) Kit (P)
234	TC-650928	1		Lock Nut, 1/4-20
238	TC-650902	1		Screw, 10-32 x 7/16"
239	TC-36358	1	/P	Air Cleaner Gasket Kit (P)
240	TC-37691	1		Air Cleaner Body Ass'y. (Incl. 239)
245	TC-37360	1	/P	Air Cleaner Filter (Paper)
245B	TC-37361	1	/P	Air Cleaner Pre-Filter (Poly)
246	TC-37407	1	/P	Connector Bushing Link
250	TC-37690	1		Air Cleaner Cover
251	TC-37689	1	/P	Wing Nut, 1/4-20 x 1-19/32"
255	TC-37647	1		Control Cover
330	TC-37402	1		Fuel Solenoid Wire Assembly (R & G)
330A	TC-37403	1		Fuel Solenoid Wire Assembly (Black)
330B	TC-37642	1		Wire Harness
347	TC-650898A	1		Screw, 10-32 x 27/32"
380	TC-640221	1	/P	Carburetor (Incl. 184 & 428)
380A	TC-730649	1	/P	Carburetor Repair Kit
383	TC-37411	1		Carburetor Baffle
384	TC-30200	1	/P	Screw, 10-24 x 9/16" Self Tap
387A	TC-37397	1		Roll Pin
406	TC-611221	1	/P	Fuel Shut-Off Solenoid

Ref #	Part Number	Qty	S/P/F	Description
16D	TC-37415	1		Governor Spring, Hi-speed
16E	TC-37417	1		Governor Idle Spring
16F	TC-37418	1		Bell Crank Lever
19	TC-37416	1		Throttle Spring
173A	TC-37410	1		Breather Tube Grommet
173B	TC-37409	1		Breather Tube Fitting
177	TC-651067	1		Carburetor Mounting Stud
184	TC-36352	1	/P	Carburetor to Intake Pipe Gasket Kit (P)
185	TC-37396	1		Intake Pipe (Incl. 387A)
186	TC-37404	1		Governor Link
186A	TC-37405	1		Choke Link
200	TC-37400	1		Control Bracket
207	TC-37406	1		Throttle Link
210	TC-27793	1	/P	Conduit Clip
211	TC-28942	1	/P	Screw, 10-32 x 3/8"
217	TC-37419	1		Control Lever
218	TC-651070	1		Screw, 10-32 x 1-1/4"
223	TC-650971	1		Screw, T-30 5/16-18 x 7/8"
224	TC-33515A	1		Intake Pipe Gasket (Pipe to Head) Kit (P)
234	TC-650928	1		Lock Nut, 1/4-20
238	TC-650902	1		Screw, 10-32 x 7/16"
239	TC-36358	1	/P	Air Cleaner Gasket Kit (P)
240	TC-37691	1		Air Cleaner Body Ass'y. (Incl. 239)
245	TC-37360	1	/P	Air Cleaner Filter (Paper)
245B	TC-37361	1	/P	Air Cleaner Pre-Filter (Poly)
246	TC-37407	1	/P	Connector Bushing Link
250	TC-37690	1		Air Cleaner Cover
251	TC-37689	1	/P	Wing Nut, 1/4-20 x 1-19/32"
255	TC-37420	1		Control Cover
330	TC-37402	1		Fuel Solenoid Wire Assembly (R & G)
330A	TC-37403	1		Fuel Solenoid Wire Assembly (Black)
330B		1		UNKNOWN
347	TC-650898A	1		Screw, 10-32 x 27/32"
380	TC-640221	1	/P	Carburetor (Incl. 184 & 428)
380A	TC-730649	1	/P	Carburetor Repair Kit
383	TC-37411	1		Carburetor Baffle
384	TC-30200	1	/P	Screw, 10-24 x 9/16" Self Tap
387A	TC-37397	1		Roll Pin
406	TC-611221	1	/P	Fuel Shut-Off Solenoid

13A4616G190 LT-1650 (2003)
Fender, Seat, Deck Stabilizer



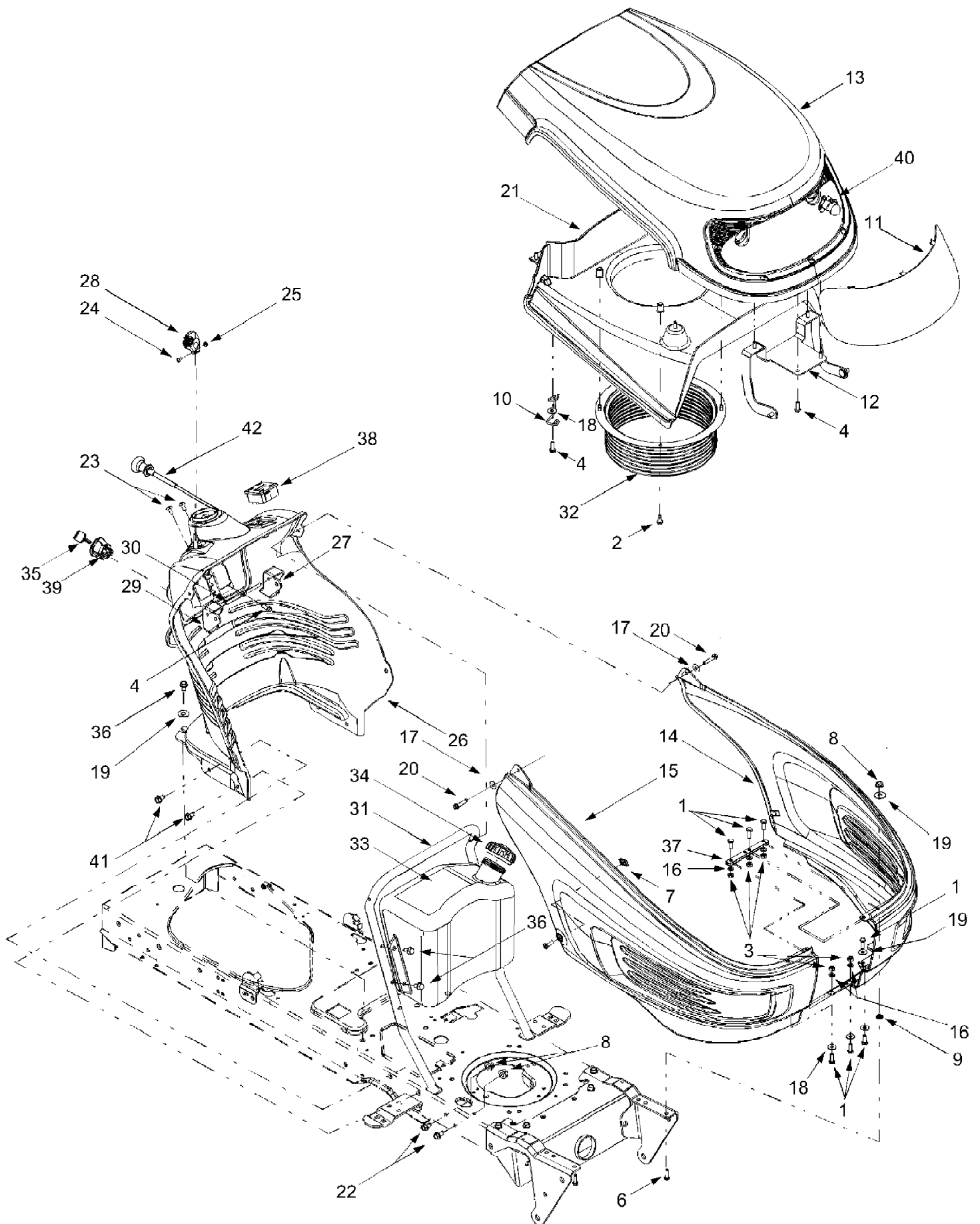
13A4616G190 LT-1650 (2003)
Fender, Seat, Deck Stabilizer

Page 26 of 39

Ref #	Part Number	Qty	S/P/F	Description
1	747-1130B	1	/P	Deck Stabilizer Rod
2	683-0197B	1	S	Lift Shaft Assembly
3	711-0332	1	S	Clevis Pin, .5 x .78
4	712-0206	1	S	Hex Nut, 1/2-13
5	712-0431	1	S	Flange Lock Nut, 3/8-16
6	712-3004A	1	/P	Flange Lock Nut, 5/16-18
7	712-3083	1	/P	Hex Nut, 1/2-13
8	714-0104	1	S	Internal Cotter Pin
9	714-0145	1	S	Internal Cotter Pin
10	716-0106	1	/P	E-ring
11	720-0311	1		Handle Grip
12	732-0874	1	/P	Torsion Spring
13	732-1027	1		Extension Spring, .872 x 3.4
14	736-0275	1	S	Flat Washer, 5/16
15	736-0921	1	S	Lock Washer, 1/2
16	736-3019	1		Flat Washer, .31 x 1.062 x .134
17	736-3084	1	/P	Flat Washer, .51 x 1.12 x .06
18	738-0138A	1	/P	Hex Cap Screw, 5/16-18 x .62
19	738-0143	1	/P	Shoulder Screw, 3/8-16
20	741-0225	1	S	Hex Flange Bearing
21	741-0715	1	S	Snap Flange Bearing
22	746-0968	1		Lift Cable, 16.16 (LT-1650)
	746-1144	1		Lift Cable, 15.62 (LT-1850)
23	747-1111A	1	/P	Lift Handle
24	756-1154	1		Roller Pulley
25	783-0678A	1	S	Arm Lift
26	783-0720A	1	S	Deck Stabilizer Bracket
27	710-0260A	1	/P	Carriage Bolt, 5/16 x .62
28	710-0604A	1	/P	Self-tapping Screw, 5/16-18 x .625
29	710-0895	1		Self-tapping Screw, 1/4-15 x .75
30	731-1990	1		Lift Lever Cover
31	731-1993	1		C over w/ Cup Holder
32	736-3078	1	/P	Flat Washer, .349 x 1.0 x .063
33	783-0677	1	S	Lift Adjustment Bracket
34	783-1279	1	/P	Fender
35	783-1489	1	S	Seat Mounting Bracket
36	710-1268	1	/P	Screw, #10-16 x .375
37	712-3027	1	S	Hex Flange Lock Nut, 1/4-20
38	720-0309A	1	/P	Seat Adjuster Grip
39	731-04074	1		Spacer
40	732-0499	1		Compression Spring, .41 x 1.5
41	736-0175	1	S	Spring Washer, .265 x .562 x .025
42	736-0204	1	/P	Flat Washer, .344 x .62 x .03
43	738-0137A	1	S	Shoulder Screw, .340 x .285, 1/4-20
44	738-1007	1		Shoulder Screw, .50 x .50, 3/8-16
45	783-0611	1		Seat Stop
46	783-0738	1	S	Seat Pivot Bracket
47	783-0739	1		Seat Adjustment Lever
48	783-0753	1		Seat Adjustment Selector
49	757-04014	1	S	Medium Back Seat, Black
50	735-0656	1		RH Foot Pad
51	735-0657	1		LH Foot Pad
	726-3046	1		Foot Pad (Not Shown)

13A4616G190 LT-1650 (2003)
Fender, Seat, Deck Stabilizer

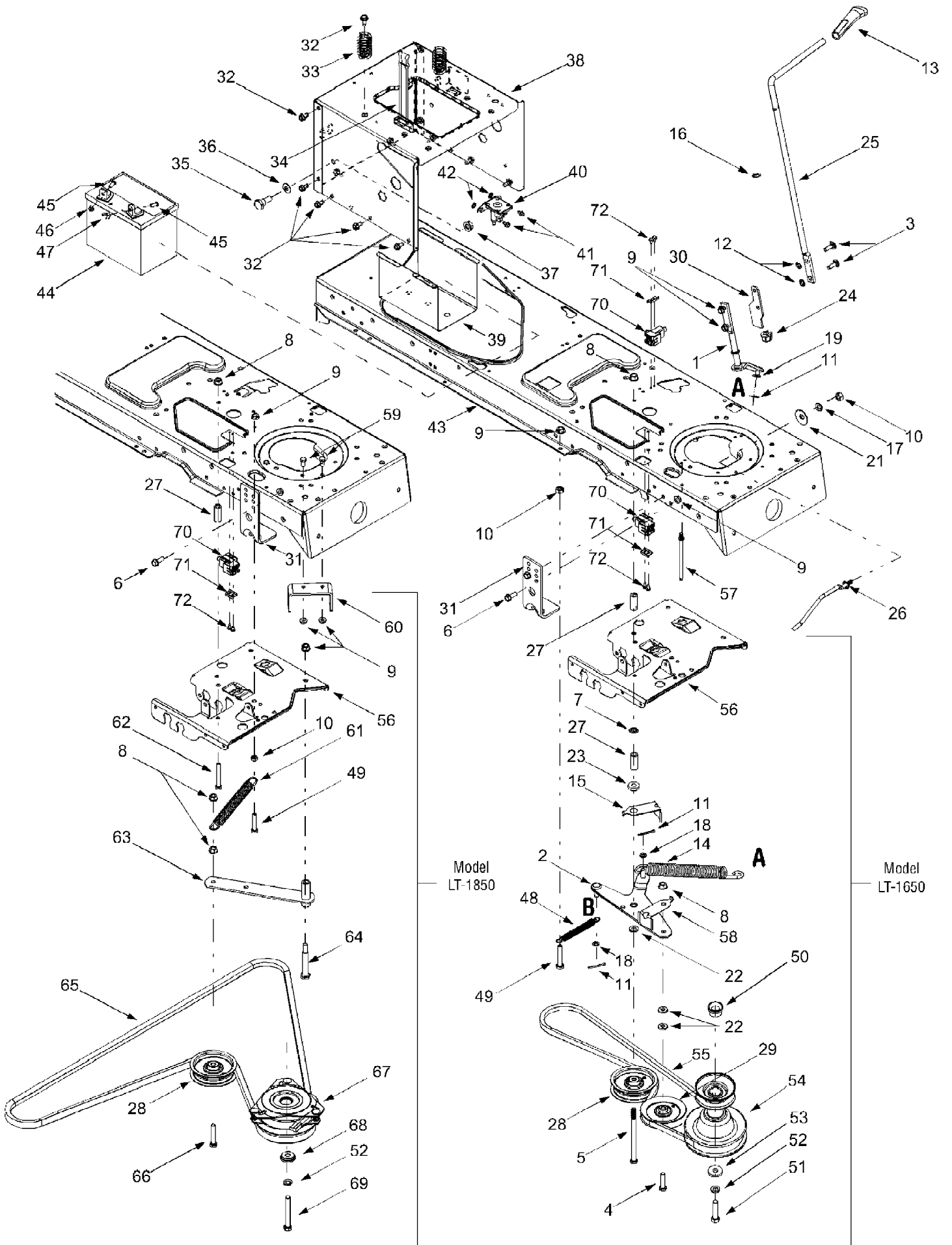
Ref #	Part Number	Qty	S/P/F	Description
52	714-0111	1	S	Cotter Pin
53	731-0511	1	/P	Trim Strip
54	783-0209	1	S	Seat Lift Bracket
55	726-0201	1		Speed Clip



13A4616G190 LT-1650 (2003)
Fuel Tank & Hood Assembly

Page 29 of 39

Ref #	Part Number	Qty	S/P/F	Description
1	710-3015	1	/P	Hex Cap Screw, 1/4-20 x .75
2	710-0599	1	/P	Self-tapping Screw, 1/4-20 x .5
3	712-3006	1	/P	Hex Nut, 1/4-20
4	710-0895	1		Self-tapping Screw, 1/4-15 x .75
?5	710-0924	1	/P	Pan Phillips Screw, 1/4-20 x .75
6	710-0376	1	/P	Hex Cap Screw, 5/16-18 x 1.0
7	712-0292	1	/P	U-type Speed Nut, 1/4-20
8	712-3004A	1	/P	Flange Lock Nut, 5/16-18
9	726-0201	1		Speed Nut
10	747-2127	1		Hood Latch Rod
11	731-2286	1	S	Head Light Lens
12	683-0305	1	S	Hood Bracket Assembly
13	731-2283A	1	S	Hood
14	731-2307A	1	S	LH Side Panel
15	731-2308A	1	S	RH Side Panel
16	736-0329	1	S	Lock Washer, 1/4
17	736-0342	1		Flat Washer, .283 x .75 x .030
18	736-0173	1	/P	Flat Washer, .28 x .74 x .063
19	736-3078	1	/P	Flat Washer, .349 x 1.0 x .063
20	710-0809	1		Self-tapping Screw, 1/4-20 x 1.25
21	731-2284	1		Hood Plenum
22	710-0604A	1	/P	Self-tapping Screw, 5/16-18 x .625
23	710-1017	1	/P	Torx Self-tapping Screw, 1/4-14 x .625
24	710-3217	1	/P	Torx Screw, #8-32 x .375
25	712-0142	1	/P	Hex Nut, 8-32
26	731-0069C	1	S	Dash Panel, 4-style (LT-1650)
	731-0071D	1	S	Dash Panel, 4-style (LT-1850)
	735-04023	1		Cargo Net
	726-04029	1		Clips
27	731-0072	1		Parking Brake Button
28	731-1857	1		Throttle Control Lever
29	731-2106	1		Cruise Control Button
30	747-1155	1		Brake/Cruise Pivot Rod
31	749-1087A	1	S	Dash Support Tube
32	731-2232	1	S	Intake Bellow (LT-1650)
	731-2234	1	S	Intake Bellow (LT-1850)
33	751-0658D	1	S	Fuel Tank, 3-gallon
34	751-0603	1	S	Fuel Cap
35	725-1745	1	S	Ignition Key w/ plastic cover
	725-1744	1	S	Ignition Key w/o plastic cover
36	710-0726	1	/P	Self-tapping Screw, 5/16-18 x .75
37	783-1000A	1	/P	Grille Support Bracket
38	725-04036	1	S	Systems Indicator Monitor, Curved Face
39	725-1741	1	S	Ignition Switch
40	625-0051	1	S	Headlight Assembly
41	710-1611B	1	/P	Self-tapping Screw, 5/16-18 x .75
42	746-1085	1	S	Choke Control
	629-0469B	1	S	Headlight Wire Harness
	629-1071	1	S	Tractor Wire Harness (LT-1650)
	629-1067	1		Tractor Wire Harness (LT-1850)



13A4616G190 LT-1650 (2003)
PTO Drive, Battery, Lower Frame

Page 31 of 39

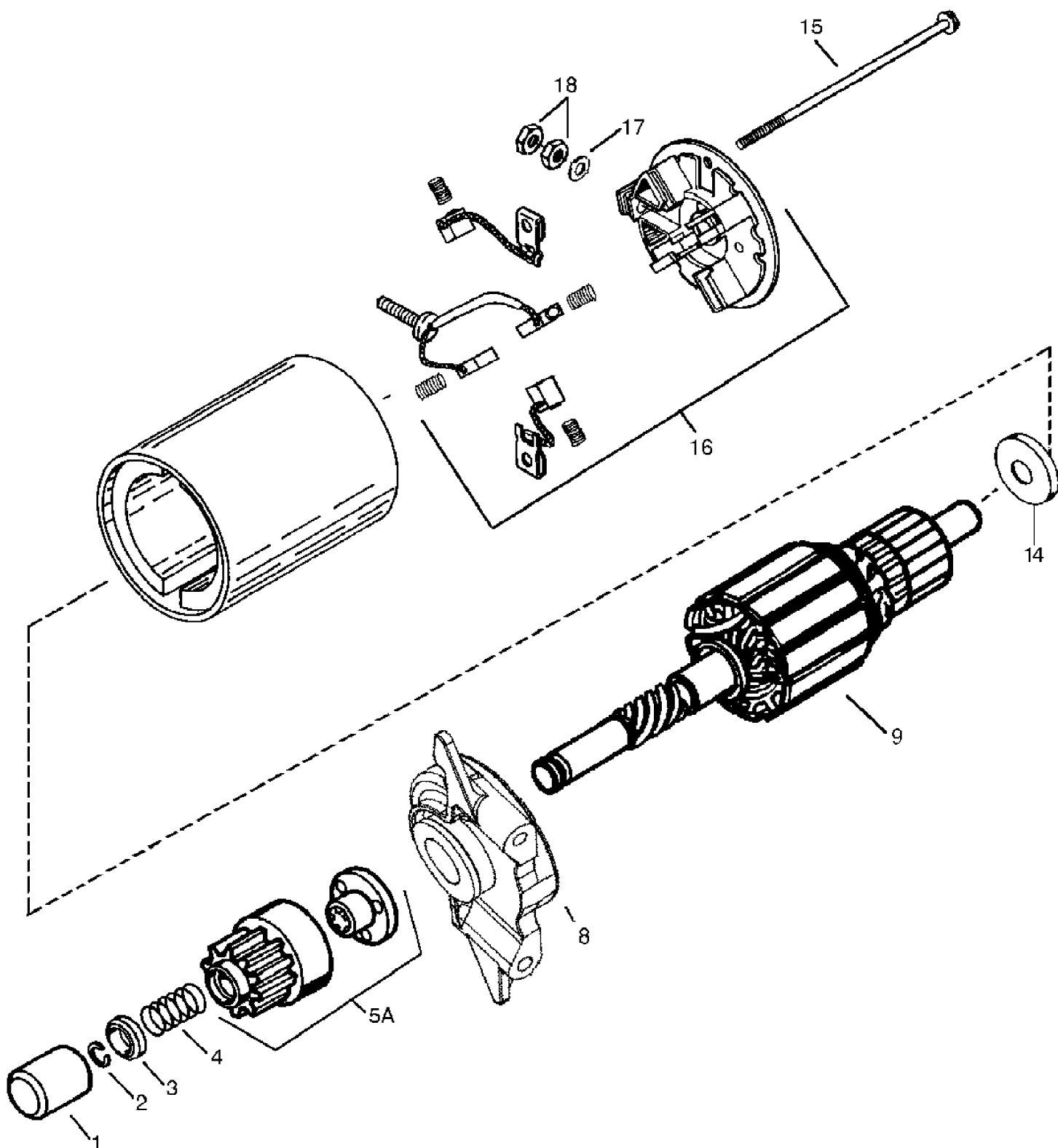
Ref #	Part Number	Qty	S/P/F	Description
1	647-0064	1	/P	PTO Engage Lever Assembly
2	683-0450	1	/P	PTO Engage Plate Assembly
3	710-0276	1	/P	Carriage Screw, 5/16-18 x 1.00
4	710-0520	1	/P	Hex Cap Screw, 3/8-16 x 1.5
5	710-0831	1		Hex Cap Screw, 3/8-16 x 5.5
6	710-1238	1	/P	Hex Head Washer Screw, 5/16-18 x .875
7	712-0229	1		Push Nut, 3/8
8	712-0431	1	S	Flange Lock Nut, 3/8-16
9	712-3004A	1	/P	Flange Lock Nut, 5/16-18
10	712-3010	1	S	Hex Nut, 5/16-18
11	714-0470	1	S	Cotter Pin, 1/8 x 1.25
12	726-0201	1		Speed Nut, .3125
13	731-2111A	1	S	PTO Knob
14	732-1170	1		Extension Spring, .75 x 6.75
15	732-0991A	1	/P	Belt Guard
16	736-0108	1	S	Flat Washer, .510 x .750 x .033
17	736-0119	1	S	Lock Washer, 5/16
18	736-0140	1	S	Flat Washer, .385 x .62 x .063
19	736-0275	1	S	Flat Washer, 5/16
?20	736-3000	1		Flat Washer, .406 x .875 x .059
21	736-0331	1	/P	Bell Washer, .39 x 1.13 x .062
22	736-3010	1		Flat Washer, .407 x .812 x .135
23	738-0372	1	S	Shoulder Spacer, .380
24	741-0708	1		Hex Split Flange Bearing, .5
25	747-1112D	1	S	PTO Engagement Handle
26	747-1286A	1	/P	Belt Keeper Rod
27	748-0415B	1	/P	Spacer, 3/8 x 1.54
28	756-0627B	1	S	Idler Pulley, 3.5
29	756-1208	1		Idler Pulley, 4.0
30	783-0744A	1		Engagement Stop
31	783-0891B	1		Deck Stop
32	710-0604A	1	/P	Self Tapping Screw, 5/16-18 x .625
33	732-04035	1		Compression Spring, 1.28 x 3.125
34	723-0444	1		Battery Strap
35	738-1020	1		Shoulder Screw, .625 x .5, 7/16-20
36	736-0407	1		Bell Washer, .45 x 1.0 x .062
37	712-0459	1	/P	Flange Lock Nut, 7/16-20
38	783-1031A	1		Hitch Plate
39	783-0349	1		Battery Tray
40	725-1426	1	S	Solenoid, 12-Volt, 100 Amp
41	710-0599	1	/P	Self Tapping Screw, 1/4-20 x .5
42	736-0222	1	S	Lock Washer, 1/4
43	683-0304B	1		Lower Frame Assembly
44	725-1706	1	S	12-volt Battery, 270 CCA
45	710-0751	1	/P	Hex Cap Screw, 1/4-20 x .62
46	712-0271	1	/P	Hex Sems Nut, 1/4-20
47	712-3044	1		Wing Nut, 1/4-20
48	732-1165	1	S	Extension Spring, .50 x 5.0
49	710-3180	1	/P	Hex Cap Screw, 5/16-18 x 1.75
50	750-0596	1		Spacer Cup
51	710-3029	1	/P	Hex Head Cap Screw, 7/16-20 x 1.25
52	736-0171	1	S	Lock Washer, 7/16
53	736-0322	1	/P	Flat Washer, 1/4 x 1.25

13A4616G190 LT-1650 (2003)
PTO Drive, Battery, Lower Frame

Page 32 of 39

Ref #	Part Number	Qty	S/P/F	Description
54	756-0983B	1	/P	Engine Pulley, 3.56 OD x 5.56
55	754-0497	1	S	PTO Belt (LT-1650)
56	783-0653F	1	S	Steering Support Bracket
57	711-1044	1	S	Keeper Pin, 5/16 x 4.75
58	732-1013	1		Belt Guard
59	710-3025	1	/P	Hex Cap Screw, 5/16-18 x .625
60	783-1003	1	S	Electric Clutch Anti-rotation Bracket
61	732-0978	1		Extension Spring, .62 x 5.62
62	710-0859	1	/P	Hex Cap Screw, 3/8-16 x 2.5
63	683-0297	1	S	Idler Bracket Assembly
64	738-3056	1	S	Shoulder Screw, 1/2 x 2.5
65	754-0474	1	S	PTO Belt (LT-1850)
66	710-3144	1	/P	Hex Cap Screw, 3/8-16 x 2.0
67	717-1708	1	S	Electric PTO Clutch
68	738-0785	1	S	Shoulder Spacer, 1.38 x .445 x .36
69	710-3157	1	S	Hex Cap Screw, 7/16-20 x 3.25 (Grade 5)
70	725-1657A	1	S	Switch
71	17962	1		Switch Plate
72	710-0224	1	S	Screw, #10-16 x .5

13A4616G190 LT-1650 (2003)
Starter TVT691-600405B

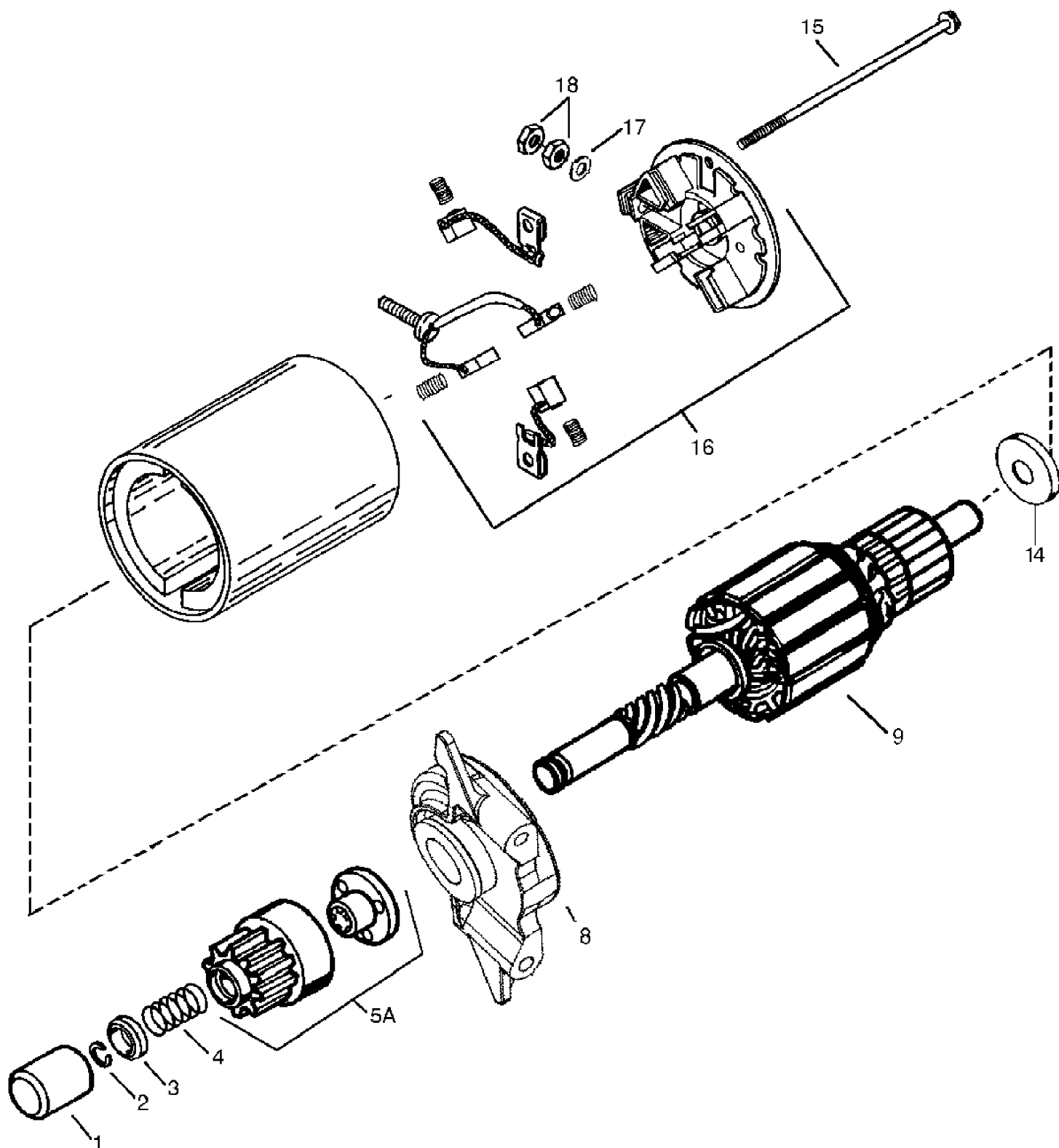


13A4616G190 LT-1650 (2003)
Starter TVT691-600405B

Page 34 of 39

Ref #	Part Number	Qty	S/P/F	Description
	TC-37284	1	/P	Electric Starter (12 Volt)
1	TC-33841	1		Dust Cover
2	TC-33842	1		Retainer Ring
3	TC-33843	1		Spring Retainer
4	TC-33854	1		Anti-drift Spring
5A	TC-36853	1		Gear & Nut (Incl. 2)
8	TC-36854	1		Drive End Cap Assembly
9	TC-36855	1		Armature
14	TC-35897	1		Thrust Washer
15	TC-36856	1		Case Bolt
16	TC-37356	1		End Cap & Brush Card Ass'y (Incl. 14, 17, & 18)
17	TC-650168	1		Washer
18	TC-650864	1	/P	Nut
	TC-822500	1	S	Replacement Engine for TVT691-600405B only
		1		Shortblock (not shown)

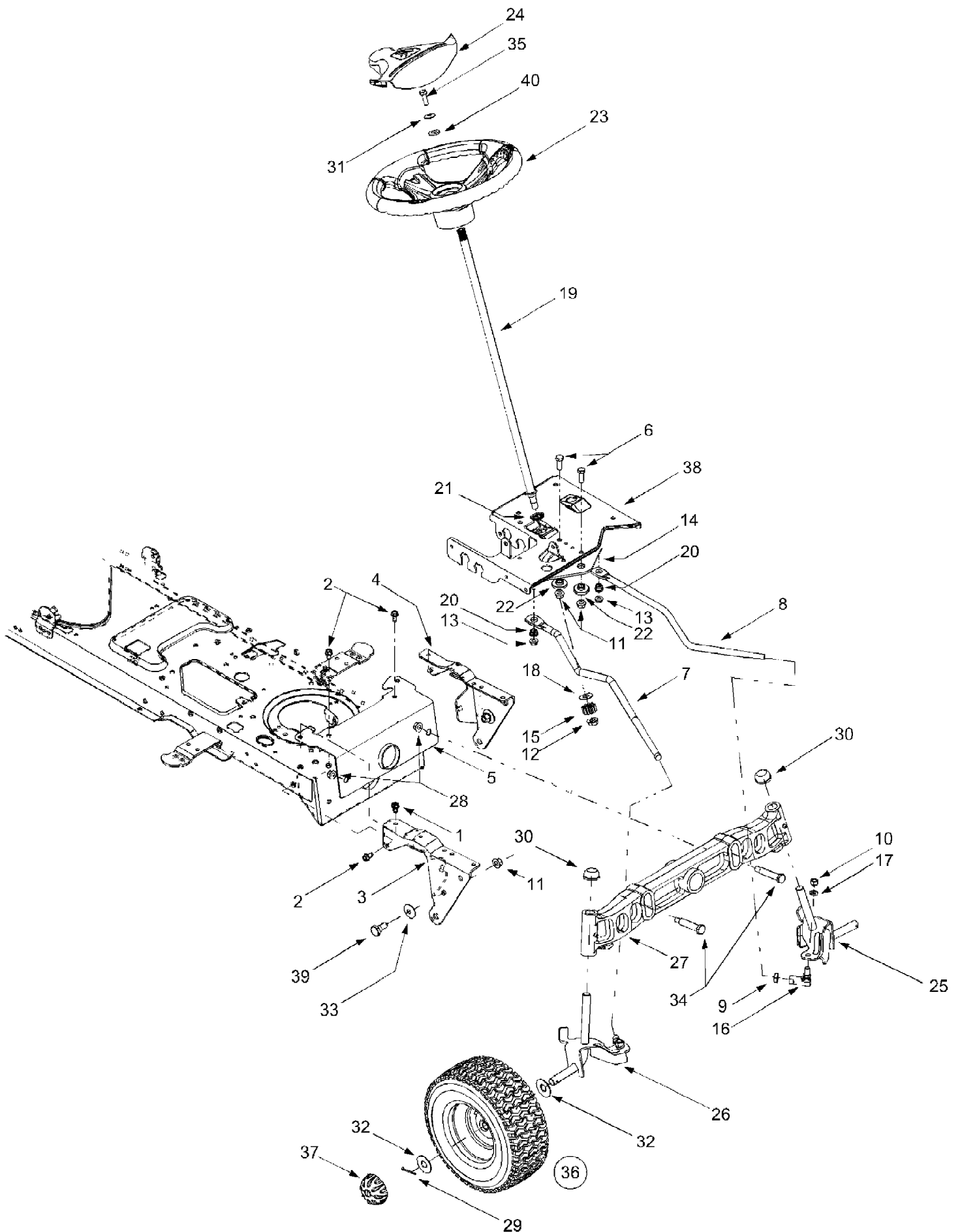
13A4616G190 LT-1650 (2003)
Starter TVT691-600810B



13A4616G190 LT-1650 (2003)
Starter TVT691-600810B

Page 36 of 39

Ref #	Part Number	Qty	S/P/F	Description
	TC-37284	1	/P	Electric Starter (12 Volt)
1	TC-33841	1		Dust Cover
2	TC-33842	1		Retainer Ring
3	TC-33843	1		Spring Retainer
4	TC-33854	1		Anti-drift Spring
5A	TC-36853	1		Gear & Nut (Incl. 2)
8	TC-36854	1		Drive End Cap Assembly
9	TC-36855	1		Armature
14	TC-35897	1		Thrust Washer
15	TC-36856	1		Case Bolt
16	TC-37356	1		End Cap & Brush Card Ass'y (Incl. 14, 17, & 18)
17	TC-650168	1		Washer
18	TC-650864	1	/P	Nut
		1		Replacement Engine
		1		Shortblock (not shown)



13A4616G190 LT-1650 (2003)
Steering, Front Wheels & Axle

Page 38 of 39

Ref #	Part Number	Qty	S/P/F	Description
1	710-1260A	1	/P	Self-tapping Screw, 5/16-18 x .75
2	710-0604A	1	/P	Self-tapping Screw, 16-18 x .625
3	783-0726B	1	S	RH Pivot Support Bracket
4	783-0727A	1	S	LH Pivot Support Bracket
5	783-0728	1		Pivot Bar Bracket
6	710-0514	1	/P	Hex Cap Screw, 3/8-16 x 1 (Grade 5)
7	711-1408	1		RH Drag Link
8	711-1409A	1	/P	LH Drag Link
9	712-0240	1	S	Jam Nut, 7/16-20 (Grade 2)
10	712-0241	1	/P	Hex Nut, 3/8-24 (Grade 2)
11	712-0431	1	S	Flange Lock Nut, 3/8-16
12	712-0459	1	/P	Flange Lock Nut, 7/16-20
13	712-3004A	1	/P	Flange Lock Nut, 5/16-18
14	717-1550D	1	S	Steering Gear, 11/90 Ratio
15	717-1554	1		Steering Pinion Gear
16	723-0448A	1	S	Ball Joint, 7/16-20
17	736-0169	1	S	Lock Washer, 3/8
18	736-3084	1	/P	Flat Washer, .51 x 1.12 x .06
19	738-1001A	1	/P	Steering Shaft, .625 OD x 24.4
20	741-0475	1	S	Plastic Bushing, .38 ID
21	741-0656	1	S	Hex Flange Bearing, 5/8
22	738-0372B	1	/P	Shoulder Spacer, .38 ID
23	631-04008	1	S	Steering Wheel, Soft Grip, Three Spoke
24	731-04065	1		Steering Wheel Cover
25	638-0019A	1	S	LH Axle Assembly, .625 Dia. (Model LT-1650)
25	638-0021	1	S	LH Axle Assembly .625 / .750 Dia. Model LT-1850)
26	638-0020A	1	S	RH Axle Assembly, .625 Dia. (Model LT-1650)
26	638-0022	1	S	RH Axle Assembly .625 / .750 Dia. Model LT-1850)
27	719-0399B	1	/P	Cast Iron Pivot Bar w/ Fittings, .625 (Model LT-1650)
27	719-0525B	1	S	Cast Iron Pivot Bar w/ Fittings, .75 (Model LT-1850)
28	712-0431	1	S	Flange Lock Nut, 3/8-16
29	714-0162	1	/P	Cotter Pin
30	726-0214	1	/P	Push Cap, .625 (Model LT-1650)
30	726-0341	1	/P	Push Cap, .750 (Model LT-1850)
31	736-0242	1	/P	Bell Washer, .34 x .872
32	736-0285	1	/P	Flat Washer, .635 x 1.589 x .06
33	736-0331	1	/P	Bell Washer, .39 x 1.13 x .062
34	738-1011	1	S	Shoulder Screw, .5 x 2.2, 3/8-16
35	710-0643	1	/P	Hex Bolt, 5/16-18 X 1
36	634-0115	1		Wheel Assembly Complete, 15 x 6 x 6
36	634-0051	1	S	Rim Only (Not Shown)
36	734-0255	1	S	Air Valve (Not Shown)
36	734-1731	1		Tire Only, Square Shoulder
36	737-0280	1	S	Grease Fitting (Not Shown)
36	741-0569	1	S	Ball Bearing (Not Shown)
37	731-2290A	1	/P	Hub Cap
38	783-0653F	1	S	Steering Support Bracket

13A4616G190 LT-1650 (2003)
Steering, Front Wheels & Axle

Ref #	Part Number	Qty	S/P/F	Description
39	738-0143	1	/P	Shoulder Screw, 3/8-16
40	736-3004	1	S	Flat Washer, .406 x .875 x .105