

TELEX[®]

Audiocom[®]

BASIC INTERCOM APPLICATION GUIDELINE

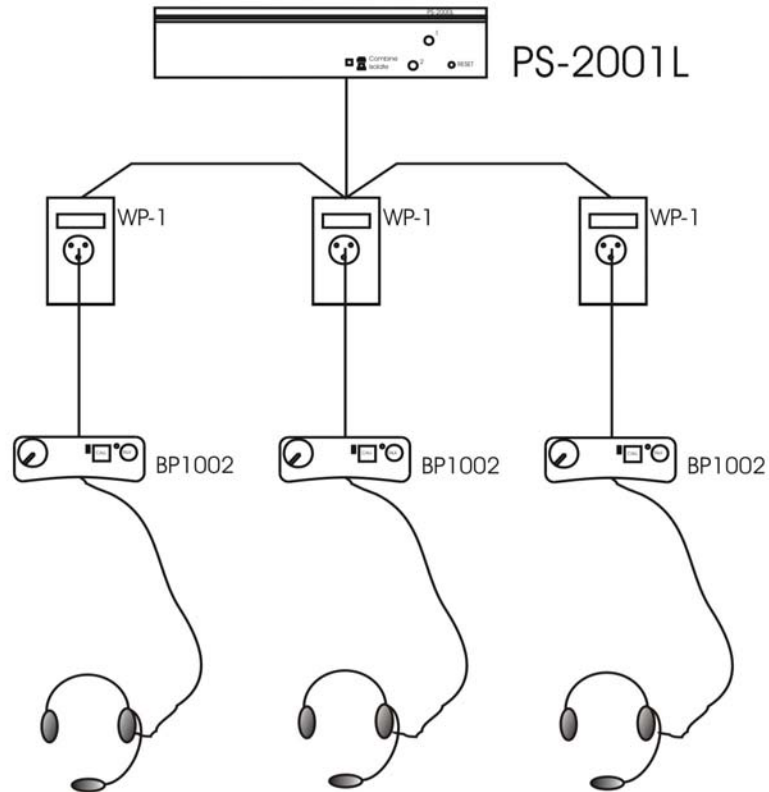
By: Christian Latzelsberger

Telex Communications, Inc.
12000 Portland Avenue South
Burnsville, MN 55337
Tel: (800) 392-3497
Fax: (800) 323-0498



TELEX
COMMUNICATIONS
BE HEARD

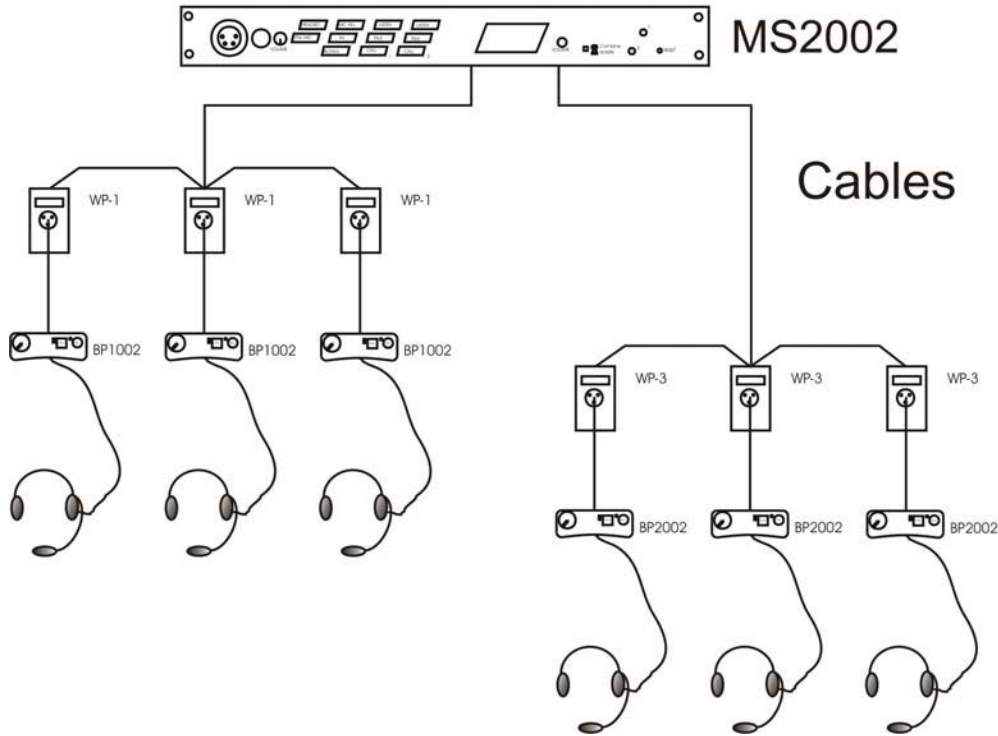
Audiocom Example 1 1 Channel Party Line with Wallplates



Qty	Model No.	Description	Part Number
1	PS-2001L	2 channel Power Supply	90007702000
1	RMK-S	Rack Mount adapter for PS 2001L (Option)	90007352000
3	WP-1	Wall Plate single channel, 3 pin XLR	96136000
3	BP-1002	1 channel Beltpack	90007740000
2	PH-88	Single sided Lightweight headset (other Headsets see price list)	300852200
1	PH-44	Dual sided Lightweight headset (other Headsets see price list)	300853400
3	ME-100	100' (30.4m) Intercom cable to connect BP1002 and WP-1 (Other cable length see price list)	96150002
1		Cable between PS-2001L and WP-1 (specified cable Type is Belden 8723 or equivalent)	

Please read also our detailed "Intercom Systems Application guide" for further examples or modify the System on your own as the 2 channel PS-2001L can handle up to 20 Beltpacks (10 units per channel).

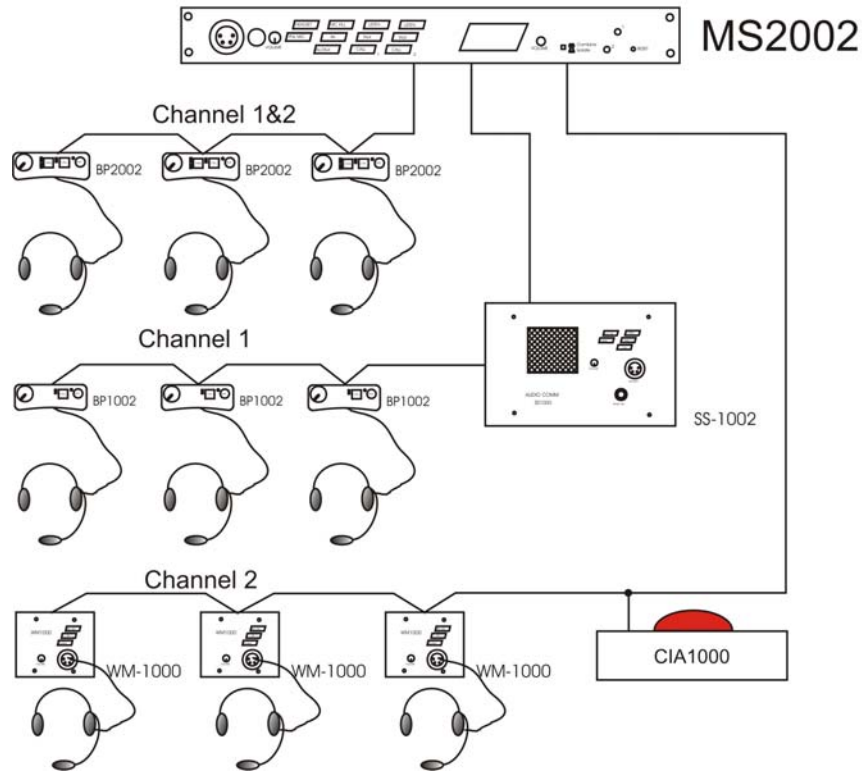
Telex Audiocom Example 2
2 Channel Party Line with Master Station



Qty	Model No.	Description	Part Number
1	MS 2002	2 channel Master Station incl. Power Supply	90007749000
1	MCP 90-12	12" gooseneck mic for MS 2002 (other length see price list)	MCP-90-12
3	WP-1	Wall Plate single channel, 3 pin XLR to use with BP-1002	96136000
3	BP-1002	1 channel Beltpack	90007740000
3	WP-3	Wall Plate dual channel, 6 pin XLR to use with BP-2002	96136002
3	BP-2002	2 channel Beltpack	90007740001
3	PH-88	Single sided Lightweight headset (other Headsets see price list)	300852200
3	PH-44	Dual sided Lightweight headset (other Headsets see price list)	300853400
3	ME-100	100' (30.4m) Intercom cable to connect BP1002 and WP-1 (Other cable length see price list)	96150002
3	ME-100/2	100' (30.4m) Intercom cable to connect BP2002 and WP-3 (Other cable length see price list)	96151002
1 each		Cable between MS-2002 and WP-1 (specified cable Type is Belden 8723 or equivalent); MS-2002 and WP-3 (Belden 8777 or equivalent)	

Please read also our detailed "Intercom Systems Application guide" for further examples or modify the System on your own as the 2 channel MS2002 can handle up to 10 Beltpacks per channel.

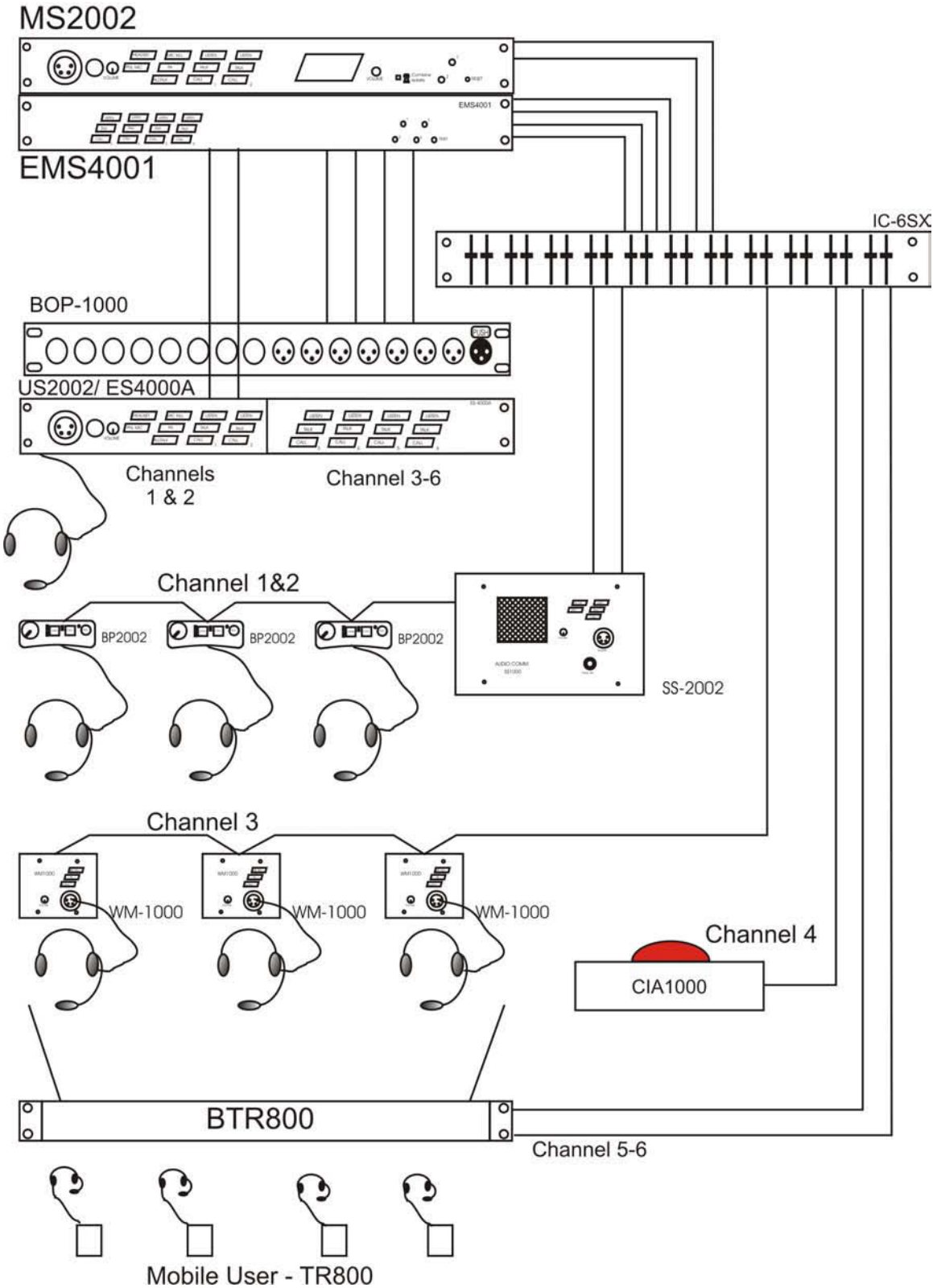
Telex Audiocom Example 3
2 Channel Party Line System with Wall Stations



Qty	Model No.	Description	Part Number
1	MS 2002	2 channel Master Station incl. Power Supply	90007749000
1	MCP 90-12	12" gooseneck mic for MS 2002 (other length see price list)	MCP-90-12
3	BP-1002	1 channel Beltpack	90007740000
3	BP-2002	2 channel Beltpack	90007740001
3	WM-1000	1 channel Headset Station	90007621000
1	SS-1002	1 channel Speaker Station (no enclosure, other models see price list)	90007741000
1	MCP 90-12	Optional 12" gooseneck mic for SS-1002 (other length see price list)	MCP-90-12
4	PH-88	Single sided Lightweight headset (other Headsets see price list)	300852200
5	PH-44	Dual sided Lightweight headset (other Headsets see price list)	300853400
3	ME-100	100' (30.4m) Intercom cable to connect Beltpacks BP1002; 1*cable to connect MS2002 and CIA1000 (Other cable length see price list)	96150002
3	ME-100/2	100' (30.4m) Intercom cable to connect Beltpacks BP2002 and MS2002 (Other cable length see price list)	96151002
2		Cable between MS-2002 and SS1002; SS1002 and BP 1002 (specified cable Type is Belden 8723 or equivalent)	
3		Cable between CIA100 and WM 1000; cable between WM1000's (specified cable Type is Belden 8723 or equivalent)	

Telex Audiocom Example 4

6 Channel System combined with Wireless Intercom



Qty	Model No.	Description	Part Number
1	MS 2002	2 channel Master Station incl. Power Supply	90007749000
1	EMS 4001	4 channel expansion Station incl. Power Supply	90007713000
1	MCP 90-12	12" gooseneck mic for MS 2002 (other length see price list)	MCP-90-12
1	US 2002	2 channel ½ rack wide User Station (no power Supply)	90007748000
2	ES-4000A	4 channel ½ rack wide User Station (no power Supply)	90007551000
1	RMK-D	Dual Rack Mount adapter for US2002 and ES-4000A	90007353000
1	BOP 1000	19" Mounting frame for XCP	90027428000
1	XCP-ES4000	15 pin connector on ES-4000A into 8 *XLR-3 (4m/4f)	90027428001
1	SS-2002	2 channel Speaker Station (no enclosure, other models see price list)	90007741000
1	MCP 90-12	Optional 12" gooseneck mic for SS-2002 (other length see price list)	MCP-90-12
3	BP-2002	2 channel Beltpack	90007740001
3	WM-1000	1 channel Headset Station	90007621000
1	CIA-1000	Call light Box (different variations see price list)	90007658000
1	IC-6SX	Source assign panel for 6 Intercom channels	90007690000
1	BTR-800	2 channel UHF wireless Intercom Base Station	71305XX
4	TR-800	2 channel UHF wireless Intercom Beltpack	71306XX
1	BC-1NM4	4 bay charger incl. 4 NHM packs for TR-800 (Option)	301778100
2	ALP-450	Directional log. Periodic antenna for BTR-800 (Option)	71147000
6	PH-88	Single sided Lightweight headset (other Headsets see price list)	300852200
5	PH-44	Dual sided Lightweight headset (other Headsets see price list)	300853400
6	ME-100	100' (30.4m) Intercom cable to connect MS and US2002/ES-4000A Stations (Other cable length see price list)	96150002
6	ME-100	100' (30.4m) Intercom cable to connect MS and IC-6SX (Other cable length see price list)	96150002
2	ME-25	25' (7.6m) Intercom cable to connect IC-6SX and BTR-800 (Other cable length see price list)	96150000
1	ME-50	50' (15.2m) Intercom cable to connect IC-6SX and CIA-1000 (Other cable length see price list)	96150001
1	ME-25/2	25' (7.6m) Intercom cable to connect BP2002 and BP2002 (Other cable length see price list)	96151000
1	ME-50/2	50' (15.2m) Intercom cable to connect BP2002 and BP2002 (Other cable length see price list)	96151001
1		Cable between BP2002 and SS-2002 (Specified cable Type is Belden 8777 or equivalent)	
1		Cable between IC-6SX and SS-2002 (Specified cable Type is Belden 8777 or equivalent)	
1		Cable between IC-6SX and WM-1000 (Specified cable Type is Belden 8723 or equivalent)	

Telex Communications, Inc.

Audiocom[®] **RadioCom**[™] **RTS**[™]

Literature request:

Name _____

Address _____

City/State/Zip _____

Phone _____

Email _____

QTY

Catalog/CD

	Detailed Intercom Systems Application Guide
	Handbook of Intercom Systems Engineering
	Intercom Products CD

QTY

Brochures

	Telex Intercom- Audiocom (Wired)
	Telex Intercom- Radiocom (Wireless)
	Telex Intercom- Headsets
	RTS Two Wire
	RTS Digital Matrix

Please note any other requests you may have.

Please Fax this request form to (952) 887-9149

OR

Email your request to proaudio.literature@us.telex.com