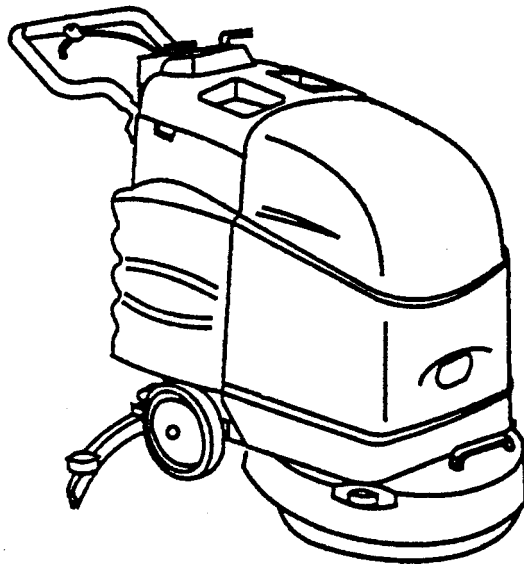


ACCESS

AUTOMATIC SCRUBBER



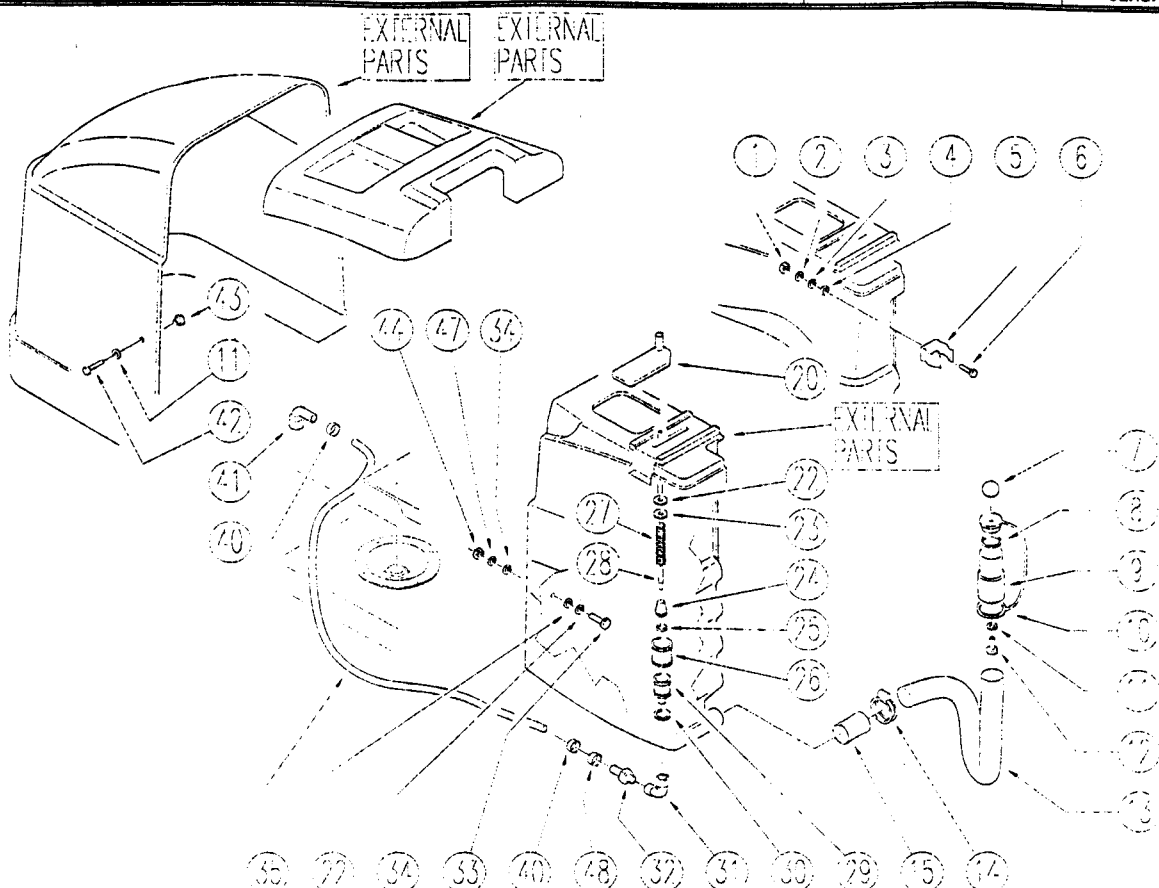
**SPARE PARTS
ERSATZEILE
PIECES DE RECHANGE
PIEZAS DE REPUESTO
PARTI DI RICAMBIO**

ACCESS

- AXC
- AXCE



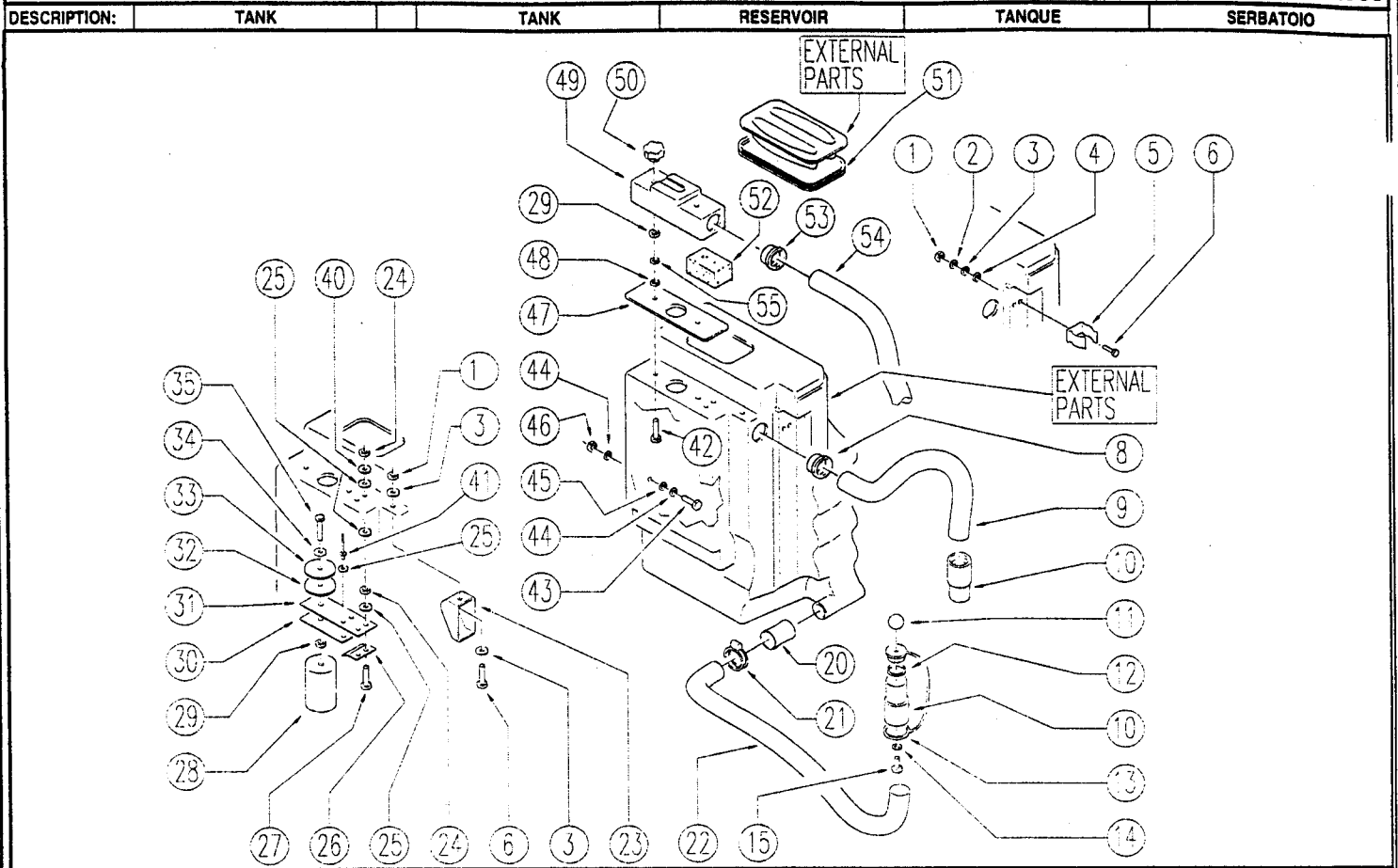
DESCRIPTION: TANK-HOOD TANK-HAUBE RESERVOIR-COFFRE TANQUE-CAPO SERBATOIO-COFANO



REF.	CODE	DESCRIPTION	QT	BESCHREIBUNG	DESCRIPTION	DESCRIPCION	DESCRIZIONE
1	9205016	NUT	2	MUTTER	ECROU	TUERCA	DADO
2	9206037	WASHER	2	UNTERLEGSCHLEIBE	RONDELLE	ARANDELA	RONDELLA
3	9206034	WASHER	2	UNTERLEGSCHLEIBE	RONDELLE	ARANDELA	RONDELLA
4	9203116	GASKET	2	DICHTUNG	JOINT	EMPAQUETADURA	GUARNIZIONE
5	9213014	DUCT LOCK	1	SCHLAUCHHALTER	FIXE-TUYAU	BLOQUEO TUBO	FERMA
6	9204152	SCREW	2	SCHRAUBE	VIS	TORNILLO	VITE
7	9220015	KNOB (o HANDWHEEL)	1	KNAUF	VOLANT A MAIN	BOTON ESFERICO (o VOLANTE)	POMOLO
8	9203315	GASKET	1	DICHTUNG	JOINT	EMPAQUETADURA	GUARNIZIONE
9	9214003	SLEEVE	1	MUFFE	MANCHON	MANGUITO	MANICOTTO
10	9214237	CAP	1	STOPFEN, VERSCHLUSS	BOUCHON	TAPON	TAPPO
11	9206022	WASHER	3	UNTERLEGSCHLEIBE	RONDELLE	ARANDELA	RONDELLA
12	9204002	SCREW	1	SCHRAUBE	VIS	TORNILLO	VITE
13	9219113	HOSE	1	SCHLAUCH	TUYAU	TUBO FLEXIBLE	TUBO
14	9214083	CLAMP	1	SHELLE	BANDE	ABRAZADERA	FASCETTA
15	9603196	SHEATH	1	MANTEL	GUAINE	VAINA	GUAINA
20	9217140-11	LEVER / CURSOR	1	SCHIEBER	CURSEUR	CURSORE	CURSORE
22	9203122	WASHER	2	UNTERLEGSCHLEIBE	RONDELLE	ARANDELA	RONDELLA
23	9206039	WASHER	1	UNTERLEGSCHLEIBE	RONDELLE	ARANDELA	RONDELLA
24	9207250	SHUTTER	1	SCHIEBER	OBTURATEUR	OBTURADOR	OTTURATORE
25	9203149	GASKET	1	DICHTUNG	JOINT	EMPAQUETADURA	GUARNIZIONE
26	9219137	FILTER	1	FILTER	FILTRE	FILTRO	FILTRO
27	9213032	SPRING	1	FEDER	RESSORT	RESORTE	MOLLA
28	9209381	TIE ROD	1	SPANNSTANGE	TIRANT	BARRA TRACTORA / TENSOR	TIRANTE
29	9207249	BODY	1	KORPER	CORPS	CUERPO	CORPO
30	9203055	GASKET	1	DICHTUNG	JOINT	EMPAQUETADURA	GUARNIZIONE
31	9219130	UNION / CONNECTOR	1	ANSCHLUSS	RACCORD	UNION / CONECTOR	RACCORDO
32	9219150	UNION / CONNECTOR	1	ANSCHLUSS	RACCORD	UNION / CONECTOR	RACCORDO
33	9201145	SCREW	1	SCHRAUBE	VIS	TORNILLO	VITE
34	9206025	WASHER	1	UNTERLEGSCHLEIBE	RONDELLE	ARANDELA	RONDELLA
35	9219240	HOSE	1	SCHLAUCH	TUYAU	TUBO FLEXIBLE	TUBO
40	9214109	CLAMP	2	SHELLE	BANDE	ABRAZADERA	FASCETTA
41	9219232	UNION / CONNECTOR	1	ANSCHLUSS	RACCORD	UNION / CONECTOR	RACCORDO
42	9204027	SCREW	2	SCHRAUBE	VIS	TORNILLO	VITE
43	9207210	BUSHING / BUSH	2	BUCHSE	DOUILLE	CASQUILLO / FORRO	BOCCOLA
44	9205039	NUT	1	MUTTER	ECROU	TUERCA	DADO
47	9206057	WASHER	1	UNTERLEGSCHLEIBE	RONDELLE	ARANDELA	RONDELLA
48	9214150	CLAMP	1	SHELLE	BANDE	ABRAZADERA	FASCETTA

CODE:

pl1199WS aa SN from 98E905

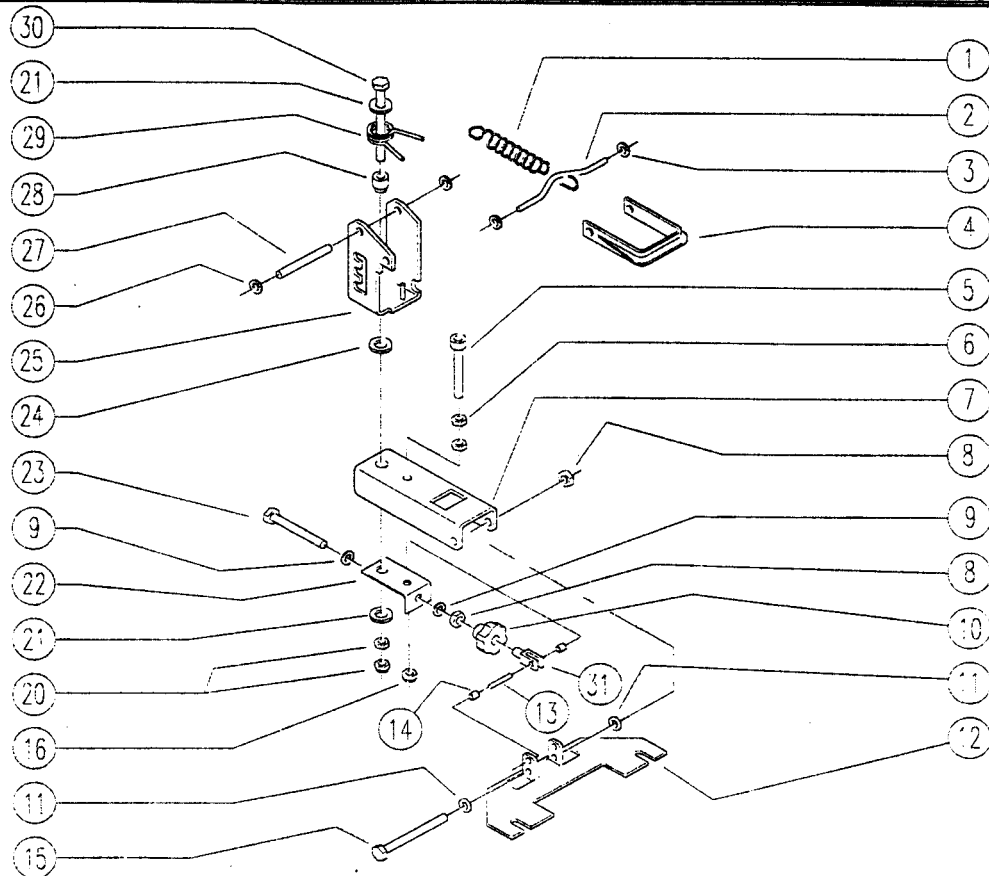


REF.	CODE	DESCRIPTION	QT	BESCHREIBUNG	DESCRIPTION	DESCRIPCION	DESCRIZIONE
1	9205016	NUT	3	MUTTER	ECROU	TUERCA	DADO
2	9206037	WASHER	2	UNTERLEGSCHLEIBE	RONDELLE	ARANDELA	RONDELLA
3	9206034	WASHER	4	UNTERLEGSCHLEIBE	RONDELLE	ARANDELA	RONDELLA
4	9203118	GASKET	2	DICHTUNG	JOINT	EMPAQUETADURA	GUARNIZIONE
5	9213014	DUCT LOCK	1	SCHLAUCHHALTER	FIXE-TUYAU	BLOQUEO TUBO	FERMA
6	9204152	SCREW	3	SCHRAUBE	VIS	TORNILLO	VITE
8	9207178	BUSHING / BUSH	1	BUCHSE	DOUILLE	CASQUILLO / FORRO	BOCCOLA
9	9219013	HOSE	1	SCHLAUCH	TUYAU	TUBO FLEXIBLE	TUBO
10	9214003	SLEEVE	2	MUFFE	MANCHON	MANGUITO	MANICOTTO
11	9220015	KNOB (o HANDWHEEL)	1	KNAUF	VOLANT A MAIN	BOTON ESFERICO (o VOLANTE)	POMOLO
12	9203315	GASKET	1	DICHTUNG	JOINT	EMPAQUETADURA	GUARNIZIONE
13	9214237	CAP	1	STOPFEN VERSCHLUSS	BOUCHON	TAPON	TAPPO
14	9206022	WASHER	3	UNTERLEGSCHLEIBE	RONDELLE	ARANDELA	RONDELLA
15	9204002	SCREW	1	SCHRAUBE	VIS	TORNILLO	VITE
20	9503196	SHEATH	1	MANTEL	GUAINA	VAINA	GUAINA
21	9214063	CLAMP	1	SCHLEIBE	BANDE	ABRAZADERA	FASCETTA
22	9219113	HOSE	1	SCHLAUCH	TUYAU	TUBO FLEXIBLE	TUBO
23	9217155-1	BAFFLE PLATE	1	ABLENKER	DEFLECTEUR	DEFLECTOR	DEFLETTORE
24	9205044	NUT	4	MUTTER	ECROU	TUERCA	DADO
25	9206031	WASHER	4	UNTERLEGSCHLEIBE	RONDELLE	ARANDELA	RONDELLA
26	9209675	SMALL BRACKET	1	KLEINER BUGEL	PETIT ETRIER	ABRAZADERA	STAFFETTA
27	9204189	SCREW	2	SCHRAUBE	VIS	TORNILLO	VITE
28	9218065	FLOAT	1	SCHWIMMER	FLOTTEUR	FLOTADOR	GALLEGGIANTE
29	9205017	NUT	3	MUTTER	ECROU	TUERCA	DADO
30	9209364	PLATE	1	PLATTE	PLAQUE	PIASTRA	PIASTRA
31	9203111	RUBBER SHIM	1	ZWISCHENLEGSCHLEIBE AUS GUMMI	CALE EN CAOUTCHOUC	RIOSTRA DE GOMA	GOMMA
32	9203110	CAP	1	STOPFEN VERSCHLUSS	BOUCHON	TAPON	TAPPO
33	9203235	CAP	1	STOPFEN VERSCHLUSS	BOUCHON	TAPON	TAPPO
34	9206071	WASHER	1	UNTERLEGSCHLEIBE	RONDELLE	ARANDELA	RONDELLA
35	9204087	SCREW	1	SCHRAUBE	VIS	TORNILLO	VITE
40	9206033	WASHER	2	UNTERLEGSCHLEIBE	RONDELLE	ARANDELA	RONDELLA
41	9214006	RIVET	2	NIETE	RIVET	REMACHE	RIVETTO
42	9204140	SCREW	2	SCHRAUBE	VIS	TORNILLO	VITE
43	9204145	SCREW	1	SCHRAUBE	VIS	TORNILLO	VITE
44	9206025	WASHER	1	UNTERLEGSCHLEIBE	RONDELLE	ARANDELA	RONDELLA
45	9203122	WASHER	2	UNTERLEGSCHLEIBE	RONDELLE	ARANDELA	RONDELLA
46	9205039	NUT	2	MUTTER	ECROU	TUERCA	DADO
47	9203113	GASKET	1	DICHTUNG	JOINT	EMPAQUETADURA	GUARNIZIONE
48	9206071	WASHER	2	UNTERLEGSCHLEIBE	RONDELLE	ARANDELA	RONDELLA
49	9217141-1	BOX	1	KASTEN, GEHAUSE	BOITE	CAJA	SCATOLO
50	9220006	KNOB (o HANDWHEEL)	2	KNAUF	VOLANT A MAIN	BOTON ESFERICO (o VOLANTE)	POMOLO
51	9203463	GASKET	1	DICHTUNG	JOINT	EMPAQUETADURA	GUARNIZIONE
52	9203109	FILTER	1	FILTRE	FILTRE	FILTRO	FILTRO
53	9207044	BUSHING / BUSH	1	BUCHSE	DOUILLE	CASQUILLO / FORRO	BOCCOLA
54	9219100	HOSE	1	SCHLAUCH	TUYAU	TUBO FLEXIBLE	TUBO
55	9206023	WASHER	1	UNTERLEGSCHLEIBE	RONDELLE	ARANDELA	RONDELLA

CODE:

pl1114 ab SN from 98E906

DESCRIPTION: SQUEEGEE SUPPORT SAUGFUSSHALTERUNG SUPPORT SUCEUR SOPORTE BOQUILLA SUPPORTO SQUEEGEE

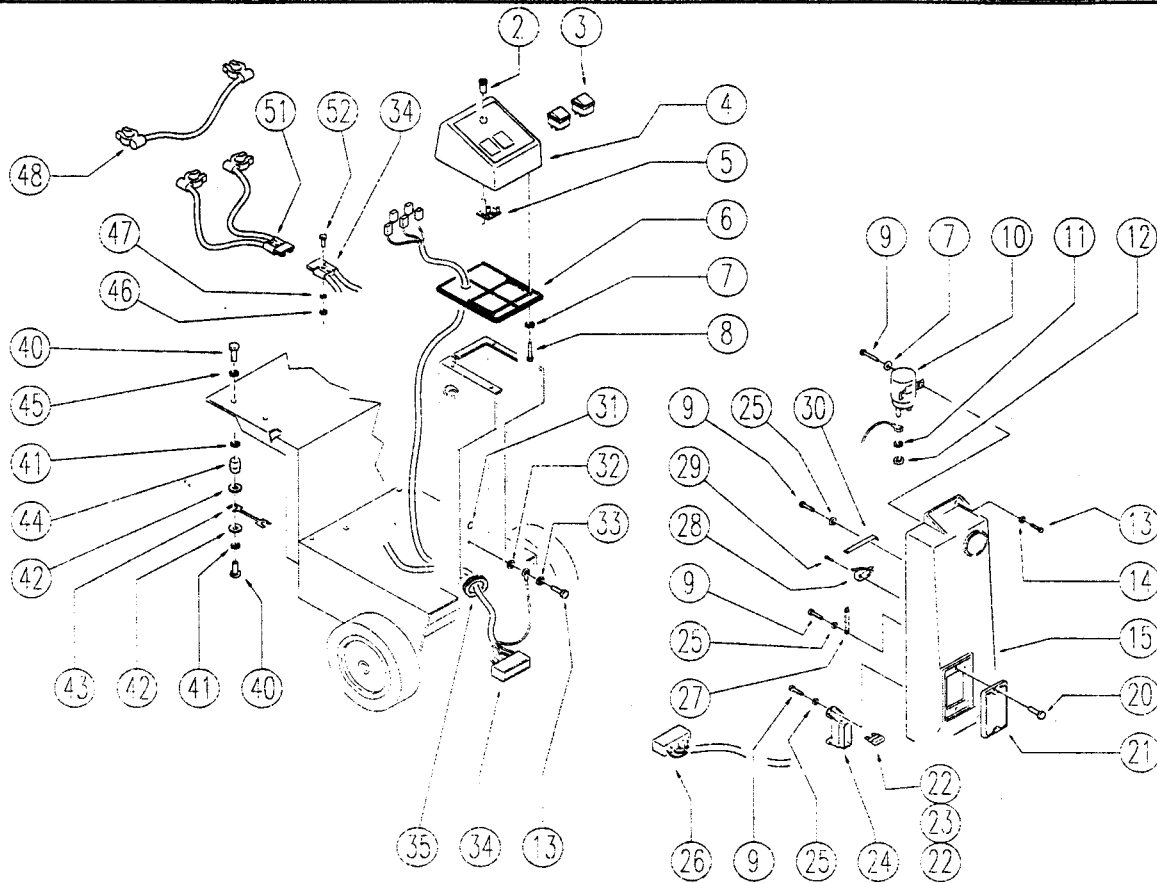


REF.	CODE	DESCRIPTION	QT	BESCHREIBUNG	DESCRIPTION	DESCRIPCION	DESCRIZIONE
1	9213029	SPRING	1	FEDER	RESSORT	RESORTE	MOLLA
2	9209413	HOOKING	1	AUFHANGUNG	ACROCHEMENT	ANCLAJE	AGGANCI
3	9206060	RING	2	SPERRING	BAGUE	ANILLO	ANELLO
4	9217180	HANDLE	1	HANDGRIFF	POIGNEE	PERILLA	MANIGLIA
5	9204194	SCREW	1	SCHRAUBE	VIS	TORNILLO	VITE
6	9205017	NUT	2	MUTTER	ECROU	TUERCA	DADO
7	9209516	ARM	1	ARM	BRAS	BRAZO	BRACCIO
8	9205039	NUT	2	MUTTER	ECROU	TUERCA	DADO
9	9206041	WASHER	2	SCHEIBE	RONDELLE	ARANDELA	RONDELLA
10	9220020	HANDLE	1	KNAUF	POIGNEE	PERILLA	POMOLO
11	9206064	WASHER	2	SCHEIBE	RONDELLE	ARANDELA	RONDELLA
12	9209514	PLATE	1	PLATTE	PLAQUE	PLACA	PIASTRA
13	9211039	PIN	1	STECKER	GOUPILLE	TOMA	SPINA
14	9207141	SPACER	1	DISTANZSTUECK	ENTRETOISE	ESPESOR	DISTANZIALE
15	9204229	SCREW	1	SCHRAUBE	VIS	TORNILLO	VITE
16	9205041	NUT	1	MUTTER	ECROU	TUERCA	DADO
20	9205048	NUT	2	MUTTER	ECROU	TUERCA	DADO
21	9206025	WASHER	2	SCHEIBE	RONDELLE	ARANDELA	RONDELLA
22	9209513	SUPPORT	1	HALTERUNG	SUPPORT	SOPORTE	SUPPORTO
23	9204156	SCREW	1	SCHRAUBE	VIS	TORNILLO	VITE
24	9207138	WASHER	1	SCHEIBE	RONDELLE	ARANDELA	ROSETTA
25	9209515	BRACKET	1	BUGEL	ETRIER	ESTRIBO	STAFFA
26	9205041	NUT	2	MUTTER	ECROU	TUERCA	DADO
27	9211050	PIN	1	STECKER	GOUPILLE	TOMA	SPINA
28	9207134	BUSH	1	BUCHSE	DOUILLE	BULLON	BUSSOLA
29	9213029	SPRING	1	FEDER	RESSORT	RESORTE	MOLLA
30	9204164	SCREW	1	SCHRAUBE	VIS	TORNILLO	VITE
31	9222008	FORK	1	GABEL	FOURCHE	HORQUILLA	FORCELLA

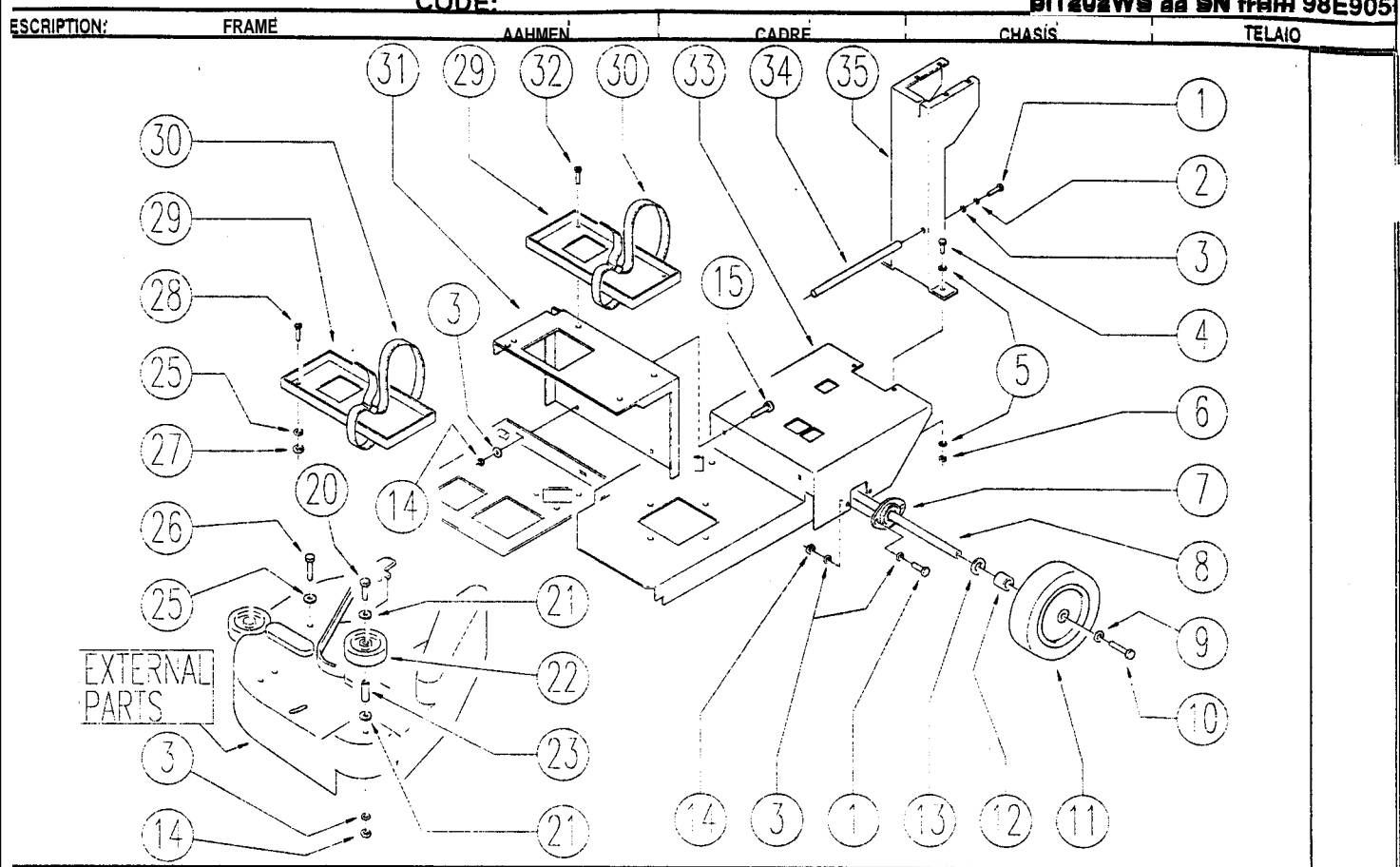
CODE:

pl1201 aa SN from 98E905

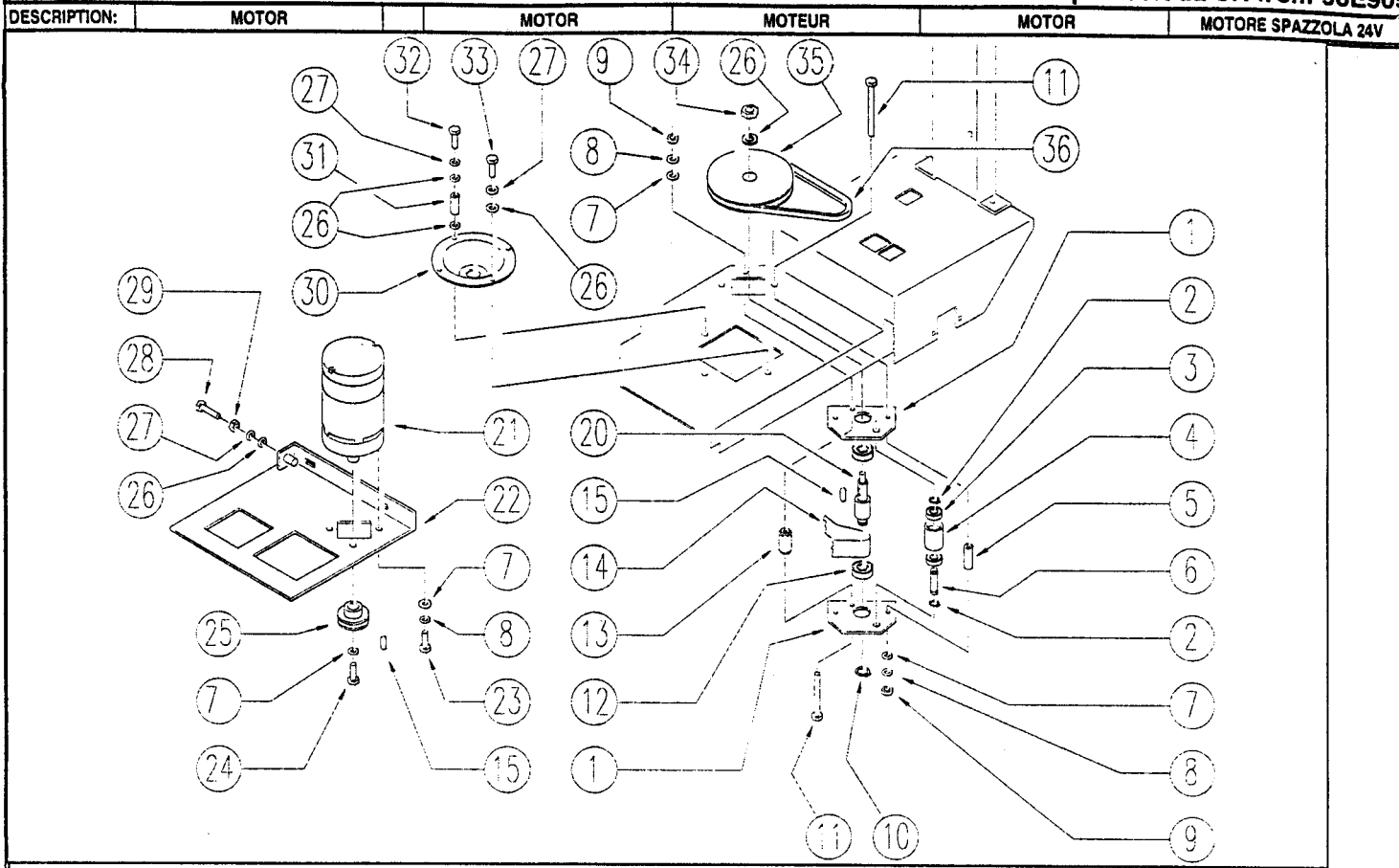
DESCRIPTION: ELECTRIC UNIT ELEKTRISCHE GRUPPE GROUPE ELECTRIQUE GRUPO ELÉCTRICO PARTI ELETTRICHE



REF.	CODE	DESCRIPTION	QT	BESCHREIBUNG	DESCRIPTION	DESCRIPCION	DESCRIZIONE
2	9223031-1	REFLECTOR	1	RUCKSTRAHLER	PASTILLE REFLECHISSANTE	CATAFARO	GEMMA
3	9223183	SWITCH	2	SCHALTER	INTERRUPTEUR	INTERRUPTOR	INTERRUPTORE
4	9217175	CONTROL PANEL	1	INSTRUMENTENBRETT	TABLEAU DE COMMANDE	CUADRO DE MANDO	PANNELLO
5	9223031	GEARCASE / BOARD	1	ZENTRALE / KARTE	FICHE DE CONTROLE	CENTRALITA / TARJETA	CENTR.
6	9217178	CONTROL PANEL BASE	1	INSTRUMENTENBRETT BASIS	BASE DE TAB. DE COMM.	BASE CUADRO DE MANDO	BASE
7	9206031	WASHER	4	SCHEIBE	RONDELLE	ARANDELA	RONDELLA
8	9204177	SCREW	4	SCHRAUBE	VIS	TORNILLO	VITE
9	9204176	SCREW	4	SCHRAUBE	VIS	TORNILLO	VITE
10	9223001	TELE-SWITCH	1	FERNSCHALTER	TELE-INTERRUPTEUR	TELEINTERRUPTOR	TELERUTTORE
11	9206002	WASHER	2	SCHEIBE	RONDELLE	ARANDELA	RONDELLA
12	9205004	NUT	2	MUTTER	ECROU	TUERCA	DADO
13	9204079	SCREW	3	SCHRAUBE	VIS	TORNILLO	VITE
14	9206019	WASHER	2	SCHEIBE	RONDELLE	ARANDELA	RONDELLA
15	9217166	COVER	1	ABDECKUNG	COUVERTURE	CUBIERTA	COPRIPIANTONE
20	9204027	SCREW	2	SCHRAUBE	VIS	TORNILLO	VITE
21	9217149-1	LID	1	DECKEL	COUVERCLE	TAPA	COPERCHIO
22	9223144	FUSE	2	SICHERUNG	FUSIBLE	FUSIBLE	FUSIBILE
23	9223147	FUSE	1	SICHERUNG	FUSIBLE	FUSIBLE	FUSIBILE
24	9223894-1	CONNECTOR	1	VERBINDER	CONNECTEUR	CONECTOR	CORPO
25	9206014	WASHER	2	SCHEIBE	RONDELLE	ARANDELA	RONDELLA
26	9223818	WIRING	1	VERKABELUNG	CABLAGE	CABLEO	CABLAGGIO
27	9213026	SPRING	1	FEDER	RESSORT	RESORTE	MOLLA
28	9223120	MICROSWITCH	1	MIKROSCHALTER	MICRO-INTERRUPTEUR	MICROINTERRUPTOR	MICROINT.
29	9204178	SCREW	2	SCHRAUBE	VIS	TORNILLO	VITE
30	9209499	FOIL / LAMINA	1	LAMELLE	FEUILLE	LAMINA	LAMINA
31	9225185	LABEL	1	ETIKETT	ETIQUETTE	ETIQUETA	ADESIVO
32	9206033	WASHER	3	SCHEIBE	RONDELLE	ARANDELA	RONDELLA
33	9206032	WASHER	1	SCHEIBE	RONDELLE	ARANDELA	RONDELLA
34	9223817	WIRING	1	VERKABELUNG	CABLAGE	CABLEO	CABLAGGIO
35	9223783	FAIRLEAD	1	KABELDURCHFÜHRUNG	PASSE-CABLE	PASACABLE	PASSACAVO
40	9204092	SCREW	4	SCHRAUBE	VIS	TORNILLO	VITE
41	9206001	WASHER	4	SCHEIBE	RONDELLE	ARANDELA	RONDELLA
42	9206015	WASHER	4	SCHEIBE	RONDELLE	ARANDELA	RONDELLA
43	9223837	FUSE	1	SICHERUNG	FUSIBLE	FUSIBLE	FUSIBILE
44	9223842	FUSE	2	SICHERUNG	FUSIBLE	FUSIBLE	ISOLATORE
45	9206004	WASHER	2	SCHEIBE	RONDELLE	ARANDELA	RONDELLA
46	9205009	NUT	2	MUTTER	ECROU	TUERCA	DADO
47	9206024	WASHER	2	SCHEIBE	RONDELLE	ARANDELA	RONDELLA
48	9223838	BRIDGE	1	BRÜCKE	PONT	PUENTE	PONTE
51	9223839	WIRING	1	VERKABELUNG	CABLAGE	CABLEO	CABLAGGIO
52	9204122	SCREW	2	SCHRAUBE	VIS	TORNILLO	VITE



REF.	CODE	DESCRIPTION	QT	BESCHREIBUNG	DESCRIPTION	DESCRIPCION	DESCRIZIONE
1	9204048	SCREW	6	SCHRAUBE	VIS	TORNILLO	VITE
2	9206023	WASHER	2	UNTERLEGSCHIEBE	RONDELLE	ARANDELA	RONDELLA
3	9206022	WASHER	14	UNTERLEGSCHIEBE	RONDELLE	ARANDELA	RONDELLA
4	9204145	SCREW	2	SCHRAUBE	VIS	TORNILLO	VITE
5	9206003	WASHER	4	UNTERLEGSCHIEBE	RONDELLE	ARANDELA	RONDELLA
6	9205039	NUT	2	MUTTER	ECROU	TUERCA	DADO
7	9212022	SUPPORT	2	HALTERUNG	SUPPORT	SOPORTE	SUPPORTO
8	9207140	AXLE	1	ACHSE	ESSIEU	EJE	ASSE
9	9206025	WASHER	2	UNTERLEGSCHIEBE	RONDELLE	ARANDELA	RONDELLA
10	9204077	SCREW	2	SCHRAUBE	VIS	TORNILLO	VITE
11	9208022	WHEEL / SMALL WHEEL	2	RADCHEN	ROUE	RUEDA / RUEDECILLA	RUOTA
12	9207211	BEARING	2	LAGER	PALIER / ROULEMENT	COJINETE	DISTANZIALE
13	9206058	WASHER	2	UNTERLEGSCHIEBE	RONDELLE	ARANDELA	RONDELLA
14	9205041	NUT	8	MUTTER	ECROU	TUERCA	DADO
15	9204216	SCREW	2	SCHRAUBE	VIS	TORNILLO	VITE
20	9204133	SCREW	2	SCHRAUBE	VIS	TORNILLO	VITE
21	9206039	WASHER	4	UNTERLEGSCHIEBE	RONDELLE	ARANDELA	ROSETTA
22	9208015	WHEEL / SMALL WHEEL	2	RADCHEN	ROUE	RUEDA / RUEDECILLA	RUOTA
23	9207165	BEARING	2	LAGER	PALIER / ROULEMENT	COJINETE	DISTANZIALE
25	9206038	WASHER	3	UNTERLEGSCHIEBE	RONDELLE	ARANDELA	RONDELLA
26	9204065	SCREW	2	SCHRAUBE	VIS	TORNILLO	VITE
27	9205043	NUT	1	MUTTER	ECROU	TUERCA	DADO
28	9204017	SCREW	1	SCHRAUBE	VIS	TORNILLO	VITE
29	9217238	BATTERY BEARING SURFACE	2	BATTERIETRAGFLACHE	PLAN PORTE-BATTERIE	PLANO PORTABATERIAS	PIATTO
30	9214096	BELT	2	RIEMEN	COURROIE	CORREA	CINGHIA
31	92095871	SUPPORT	1	HALTERUNG	SUPPORT	SOPORTE	SUPPORTO
32	9204095	SCREW	2	SCHRAUBE	VIS	TORNILLO	VITE
33	9209651	BASEMENT	1	UNTERGESTELL	SOCLE	BASAMENTO	BASAMENTO
34	9209349	BEARING	1	LAGER	PALIER / ROULEMENT	COJINETE	DISTANZIALE
35	9209585	UPRIGHT / PILLAR	1	STANDER	MONTANT	MONTANTE	MONTANTE

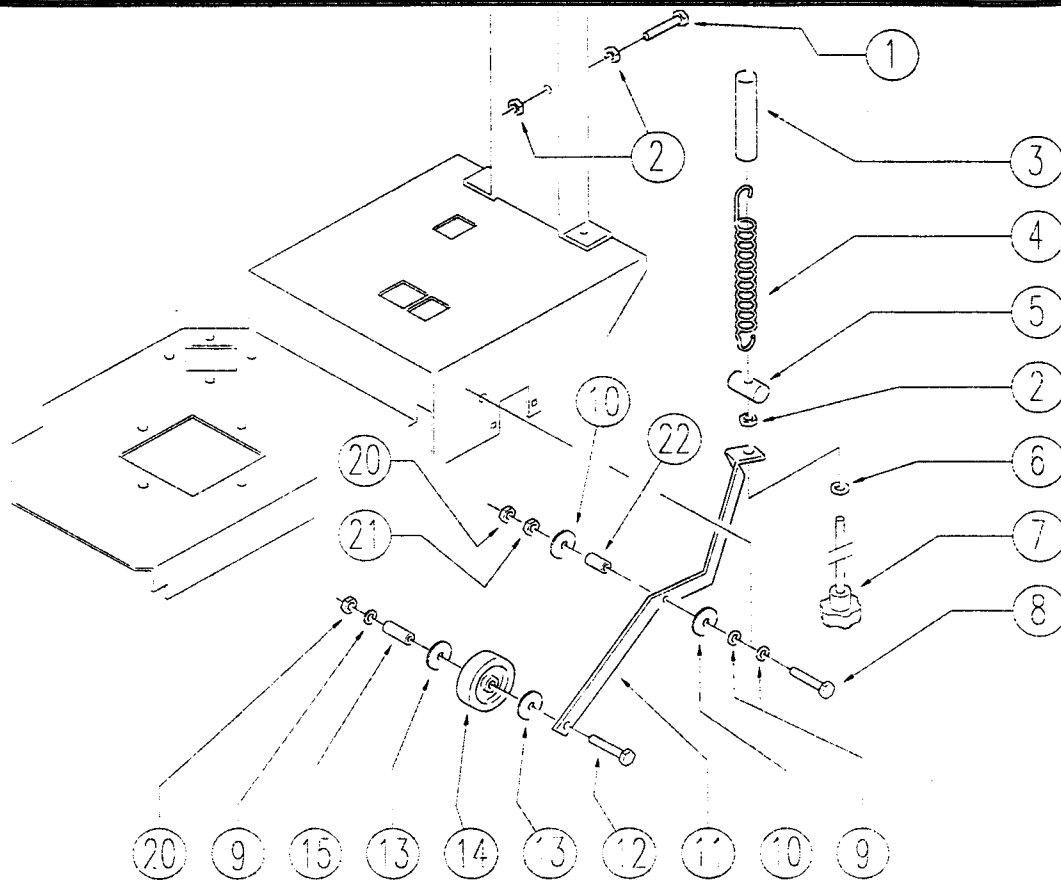


REF	CODE	DESCRIPTION	QT	BESCHREIBUNG	DESCRIPTION	DESCRIPCION	DESCRIZIONE
1	9209592	PLAQUE	2	PLATTCHEN	PLATINE	PLACA	PIASTRINA
2	9211095	RING	2	RING	ANNEAU / BAGUE	ANILLO	ANELLO
3	9212003	BEARING	2	LAGER	PALIER / ROULEMENT	COJINETE	CUSCINETTO
4	9210045	PULLEY	1	RIEMENSCHLEIBE	POULIE	POLEA	PULEGGIA
5	9207143	BEARING	2	LAGER	PALIER / ROULEMENT	COJINETE	DISTANZIALE
6	9211041	PIN / PLUG	1	STECKER	GOUPILLE / FICHE	CLAVIJA	SPINA
7	9206022	WASHER	8	UNTERLEGSCHLEIBE	RONDELLE	ARANDELA	RONDELLA
8	9206023	WASHER	7	UNTERLEGSCHLEIBE	RONDELLE	ARANDELA	RONDELLA
9	9205017	NUT	3	MUTTER	ECROU	TUERCA	DADO
10	9211100	RING	1	RING	ANNEAU / BAGUE	ANILLO	ANELLO
11	9204061	SCREW	3	SCHRAUBE	VIS	TORNILLO	VITE
12	9212029	BEARING	2	LAGER	PALIER / ROULEMENT	COJINETE	CUSCINETTO
13	9207191	BEARING	1	LAGER	PALIER / ROULEMENT	COJINETE	DISTANZIALE
14	9216016	BELT	1	RIEMEN	COURROIE	CORREA	CINGHIA
15	9211010	TANG / TONGUE	2	LAPPEN	LANGUETTE	LENGUETA	LINGUETTA
20	9207190	SHAFT	1	WELLE	ARBRE	ARBOL	ALBERO
21	9202099	MOTOR	1	MOTOR	MOTEUR	MOTOR	MOTORE
22	92095881	SUPPORT	1	HALTERUNG	SUPPORT	SOPORTE	SUPPORTO
23	9204135	SCREW	4	SCHRAUBE	VIS	TORNILLO	VITE
24	9204135	SCREW	1	SCHRAUBE	VIS	TORNILLO	VITE
25	9210049	PULLEY	1	RIEMENSCHLEIBE	POULIE	POLEA	PULEGGIA
26	9206041	WASHER	8	UNTERLEGSCHLEIBE	RONDELLE	ARANDELA	RONDELLA
27	9206057	WASHER	5	UNTERLEGSCHLEIBE	RONDELLE	ARANDELA	RONDELLA
28	9204156	SCREW	1	SCHRAUBE	VIS	TORNILLO	VITE
29	9205048	NUT	1	MUTTER	ECROU	TUERCA	DADO
30	9215023	FLANGE	1	FLANSCH	BRIDE	BRIDA	FLANGIA
31	9207196	BEARING	2	LAGER	PALIER / ROULEMENT	COJINETE	DISTANZIALE
32	9204143	SCREW	2	SCHRAUBE	VIS	TORNILLO	VITE
33	9204134	SCREW	2	SCHRAUBE	VIS	TORNILLO	VITE
34	9205039	NUT	1	MUTTER	ECROU	TUERCA	DADO
35	9210048	PULLEY	1	RIEMENSCHLEIBE	POULIE	POLEA	PULEGGIA
36	9216018	BELT	1	RIEMEN	COURROIE	CORREA	CINGHIA

CODE:

pl1163 aa SN from 98E905

DESCRIPTION: WHEEL / SMALL WHEEL RÄDCHEN ROUE RUEDA / RUEDECILLA RUOTINO PRESSIONE

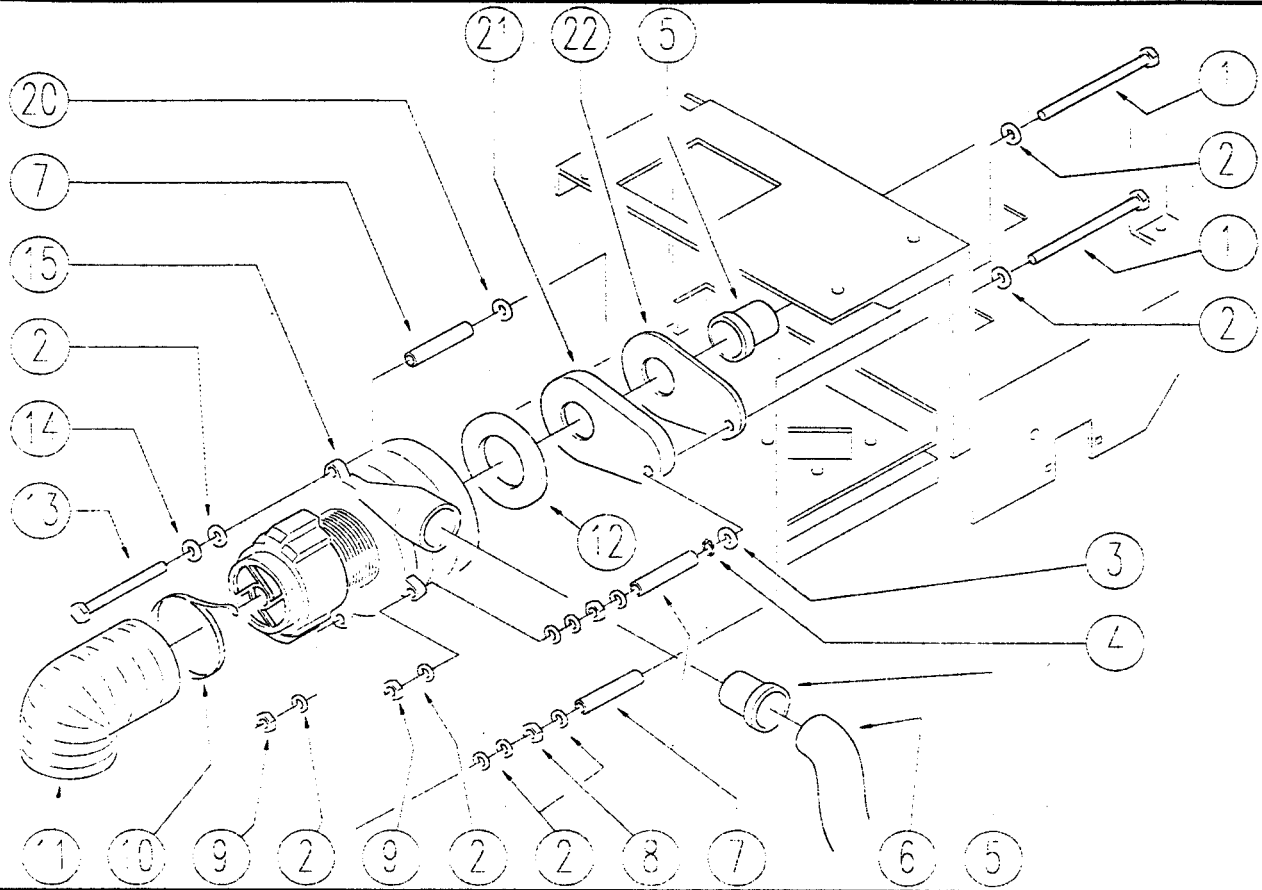


REF	CODE	DESCRIPTION	QT	BESCHREIBUNG	DESCRIPTION	DESCRIPCION	DESCRIZIONE
1	9204048	SCREW	1	SCHRAUBE	VIS	TORNILLO	VITE
2	9205017	NUT	3	MUTTER	ECROU	TUERCA	DADO
3	9619201	SHEATH	1	MANTEL	GUAINE	VAINA	GUAINA
4	9213037	SPRING	1	FEDER	RESSORT	RESORTE	MOLLA
5	9207199	SPRING COUPLING	1	FEDERAUFHANGUNG	CROCHET RESSORT	ACOPLAMIENTO MUELLE	AGGANCIO
6	9206039	WASHER	1	UNTERLEGSCHIEBE	RONDELLE	ARANDELA	RONDELLA
7	9220047	KNOB (o HANDWHEEL)	1	KNAUF	VOLANT A MAIN	BOTON ESFERICO (o VOLANTE)	POMOLO
8	9204127	SCREW	1	SCHRAUBE	VIS	TORNILLO	VITE
9	9206041	WASHER	3	UNTERLEGSCHIEBE	RONDELLE	ARANDELA	RONDELLA
10	9206053	WASHER	2	UNTERLEGSCHIEBE	RONDELLE	ARANDELA	RONDELLA
11	9209589	LEVER	1	HEBEL	LEVIER	PALANCA	LEVA
12	9204156	SCREW	1	SCHRAUBE	VIS	TORNILLO	VITE
13	9208024-1	WASHER	2	UNTERLEGSCHIEBE	RONDELLE	ARANDELA	RONDELLA
14	9208024-3	WHEEL / SMALL WHEEL	1	RÄDCHEN	ROUE	RUEDA / RUEDECILLA	RUOTA
15	9208024-2	PIN	1	ZAPFEN	PIVOT	PERNO / PIVOTE	PERNO
20	9205039	NUT	2	MUTTER	ECROU	TUERCA	DADO
21	9205048	NUT	1	MUTTER	ECROU	TUERCA	DADO
22	9207063	BUSHING / BUSH	1	BUCHSE	DOUILLE	CASQUILLO / FORRO	BOCCOLA

CODE:

pl1154 aa SN from 98E905

DESCRIPTION: SUCTION ANSAUGUNG ASPIRATION / SUCCION SUCCIÓN ASPIRAZIONE 24V

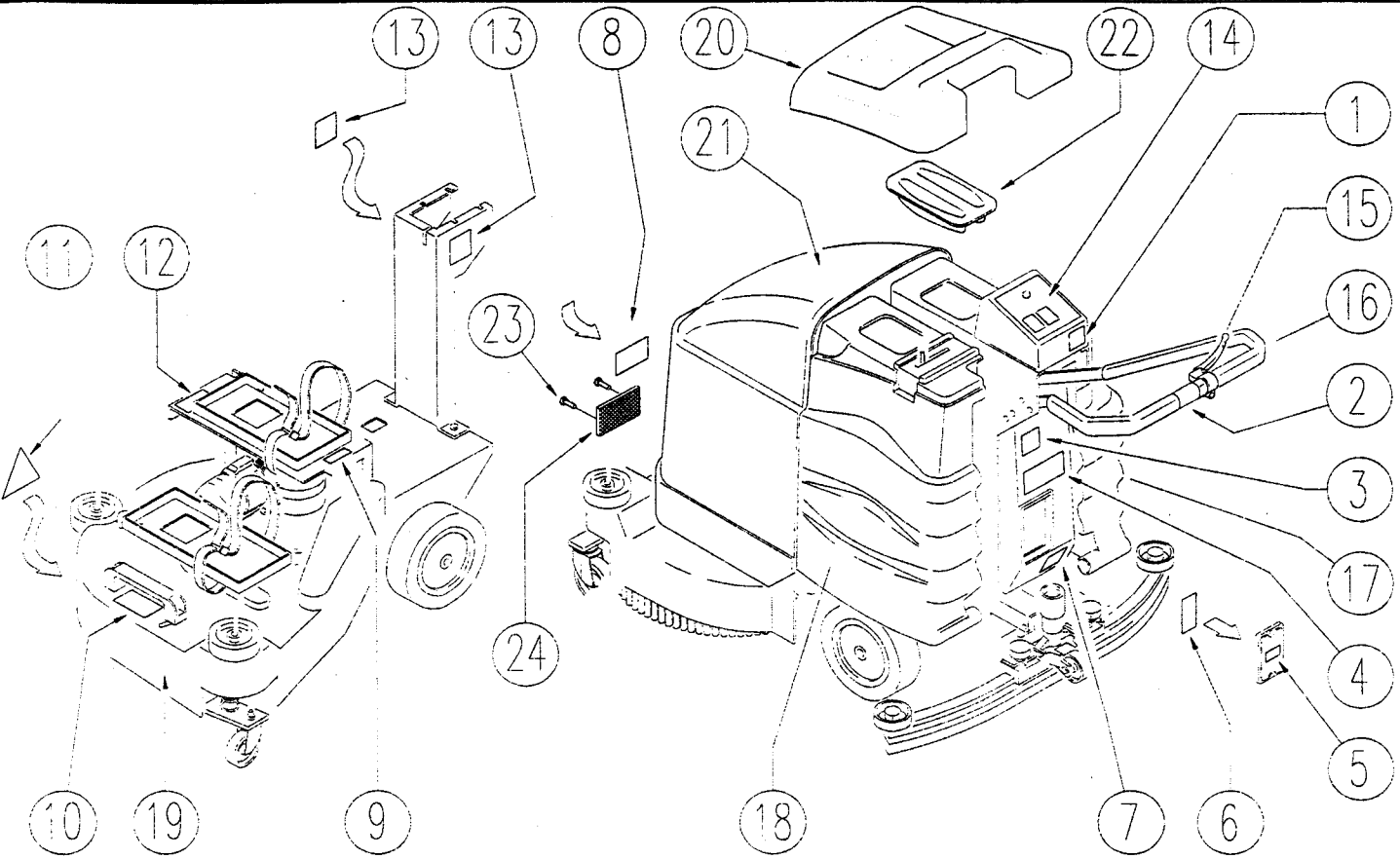


REF	CODE	DESCRIPTION	QT	BESCHREIBUNG	DESCRIPTION	DESCRIPCION	DESCRIZIONE
1	9204282	SCREW	2	SCHRAUBE	VIS	TORNILLO	VITE
2	9206022	WASHER	11	UNTERLEGSCHIEBE	RONDELLE	ARANDELA	RONDELLA
3	9206030	WASHER	1	UNTERLEGSCHIEBE	RONDELLE	ARANDELA	RONDELLA
4	9211095	RING	1	RING	ANNEAU / BAGUE	ANILLO	ANELLO
5	9207044	BUSHING / BUSH	2	BUCHSE	DOUILLE	CASQUILLO / FORRO	BOCCOLA
6	9219113	HOSE	1	SCHLAUCH	TUYAU	TUBO FLEXIBLE	TUBO
7	9207290	BEARING	3	LAGER	PALIER / ROULEMENT	COJINETE	DISTANZIALE
8	9205017	NUT	2	MUTTER	ECROU	TUERCA	DADO
9	9205041	NUT	2	MUTTER	ECROU	TUERCA	DADO
10	9214020	CLAMP	1	SHELLE	BANDE	ABRAZADERA	FASCETTA
11	9219157	HOSE	1	SCHLAUCH	TUYAU	TUBO FLEXIBLE	TUBO
12	9203033	GASKET	1	DICHTUNG	JOINT	EMPAQUETADURA	GUARNIZIONE
13	9204247	SCREW	1	SCHRAUBE	VIS	TORNILLO	VITE
14	9206023	WASHER	1	UNTERLEGSCHIEBE	RONDELLE	ARANDELA	RONDELLA
15	9602302	MOTOR	1	MOTOR	MOTEUR	MOTOR	MOTORE
20	9206041	WASHER	1	UNTERLEGSCHIEBE	RONDELLE	ARANDELA	RONDELLA
21	9217239	SUCTION CONVEYOR	1	SAUGFÖRDERER	CONVOYEUR ASPIRATION	TRANSPORTADOR SUCCIÓN	CONVOGLIATORE
22	9203160	GASKET	1	DICHTUNG	JOINT	EMPAQUETADURA	GUARNIZIONE

CODE:

pl1206WS aa SN from 98E905

DESCRIPTION: EXTERNAL PARTS EXTERNE TEILE EXTERNES PARTIES EXTERNAS PARTES PARTI ESTERNE



REF.	CODE	DESCRIPTION	QT	BESCHREIBUNG	DESCRIPTION	DESCRIPCION	DESCRIZIONE
1	9225362	LABEL	1	ETIKETT	ETIQUETTE	ETIQUETA	ETICHETTA
2	9225006	LABEL	1	ETIKETT	ETIQUETTE	ETIQUETA	ETICHETTA
3	9225053	LABEL	1	ETIKETT	ETIQUETTE	ETIQUETA	ETICHETTA
4	9225177	LABEL	1	ETIKETT	ETIQUETTE	ETIQUETA	ETICHETTA
5	9225187	LABEL	1	ETIKETT	ETIQUETTE	ETIQUETA	ETICHETTA
6	9225244	LABEL	1	ETIKETT	ETIQUETTE	ETIQUETA	ETICHETTA
7	9225288	LABEL	1	ETIKETT	ETIQUETTE	ETIQUETA	ETICHETTA
8	9225771	LABEL	2	ETIKETT	ETIQUETTE	ETIQUETA	ETICHETTA
9	9225251	LABEL	1	ETIKETT	ETIQUETTE	ETIQUETA	ETICHETTA
10	9225468	LABEL	1	ETIKETT	ETIQUETTE	ETIQUETA	ETICHETTA
11	9225472	ADESIVE LABEL	1	AUFKLEBER	ADHESIF	ETIQUETA ADHESIVA	ADESIVO
12	9225257	LABEL	1	ETIKETT	ETIQUETTE	ETIQUETA	ETICHETTA
13	9225002	ADESIVE LABEL	2	AUFKLEBER	ADHESIF	ETIQUETA ADHESIVA	ADESIVO
14	92252325	LABEL	1	ETIKETT	ETIQUETTE	ETIQUETA	ETICHETTA
15	9220019-1	LEVER	1	HEBEL	LEVIER	PALANCA	LEVA
16	9209343	HANDGRIP	1	HANDGRIFF	MANCHE	EMPUNADURA	IMPUGNATURA
17	9217520	TANK	1	TANK	RESERVOIR	TANQUE	SERBATOIO
18	9217521	TANK	1	TANK	RESERVOIR	TANQUE	SERBATOIO
19	9217320-1	BRUSH HOLDER	1	BURSTENABDECKUNG	COUVRE-BROSSE	CUBRECEPILLOS	COPRISPazzola
20	9217550	LID	1	DECKEL	COUVERCLE	TAPA	COPERCHIO
21	9217549	HOOD	1	HAUBE	COFFRE	CAPO	COFANO
22	9217552	LID	1	DECKEL	COUVERCLE	TAPA	COPERCHIETTO
23	9214162	BRACKET / CLASP	2	KLIPS	CLIP	ABRAZADERA	CLIP
24	9203465	FILTER	1	FILTER	FILTRE	FILTRO	FILTRO

CODE:

pl1206WSA aa SN from GE8K623

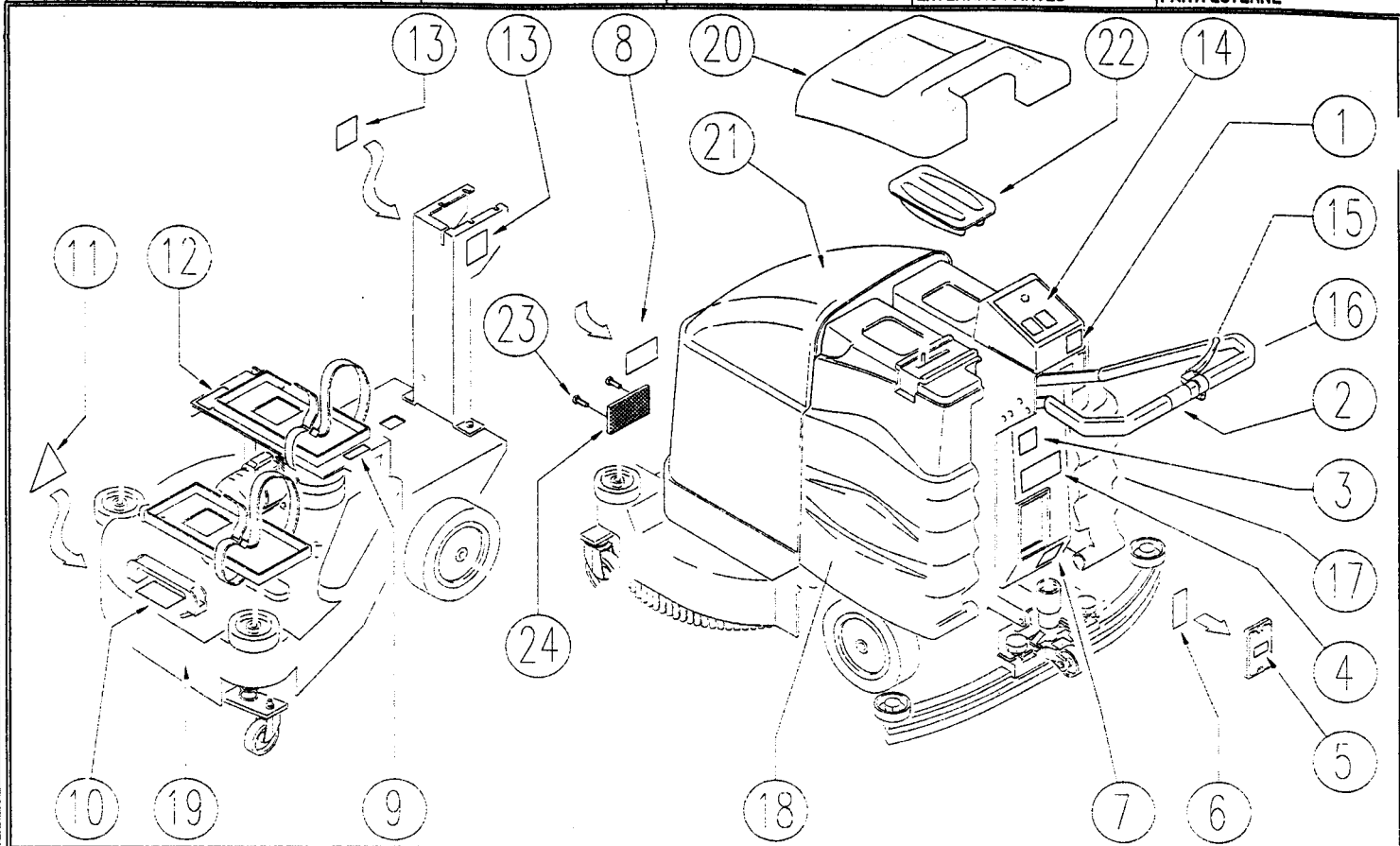
DESCRIPTION: EXTERNAL PARTS

EXTERNE TEILE

EXTERNES PARTIES

EXTERNAS PARTES

PARTI ESTERNE

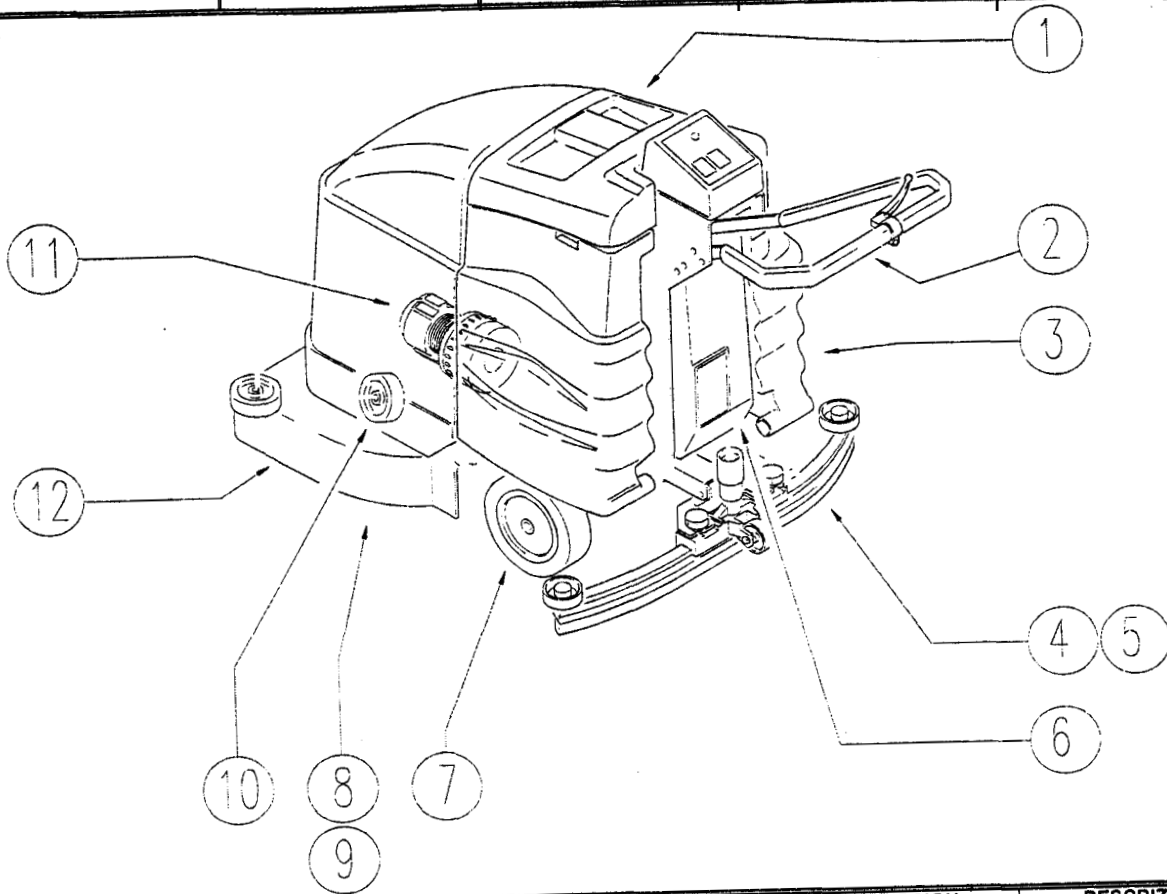


REF	CODE	DESCRIPTION	QT	BESCHREIBUNG	DESCRIPTION	DESCRIPCION	DESCRIZIONE
1	9225362	LABEL	1	ETIKETT	ETIQUETTE	ETIQUETA	ETICHETTA
2	9225006	LABEL	1	ETIKETT	ETIQUETTE	ETIQUETA	ETICHETTA
3	9225053	LABEL	1	ETIKETT	ETIQUETTE	ETIQUETA	ETICHETTA
4	9225177	LABEL	1	ETIKETT	ETIQUETTE	ETIQUETA	ETICHETTA
5	9225187	LABEL	1	ETIKETT	ETIQUETTE	ETIQUETA	ETICHETTA
6	9225244	LABEL	1	ETIKETT	ETIQUETTE	ETIQUETA	ETICHETTA
7	9225288	LABEL	1	ETIKETT	ETIQUETTE	ETIQUETA	ETICHETTA
8	92257716	LABEL	2	ETIKETT	ETIQUETTE	ETIQUETA	ETICHETTA
9	9225251	LABEL	1	ETIKETT	ETIQUETTE	ETIQUETA	ETICHETTA
10	9225468	LABEL	1	ETIKETT	ETIQUETTE	ETIQUETA	ETICHETTA
11	9225472	ADESIVE LABEL	1	AUFKLEBER	ADHESIF	ETIQUETA ADHESIVA	ADESIVO
12	9225257	LABEL	1	ETIKETT	ETIQUETTE	ETIQUETA	ETICHETTA
13	9225002	ADESIVE LABEL	2	AUFKLEBER	ADHESIF	ETIQUETA ADHESIVA	ADESIVO
14	92252325	LABEL	1	ETIKETT	ETIQUETTE	ETIQUETA	ETICHETTA
15	9220019-1	LEVER	1	HEBEL	LEVIER	PALANCA	LEVA
16	9209343	HANDGRIP	1	HANDGRIFF	MANCHE	EMPUNADURA	IMPUGNATURA
17	9217520	TANK	1	TANK	RESERVOIR	TANQUE	SERBATOIO
18	9217521	TANK	1	TANK	RESERVOIR	TANQUE	SERBATOIO
19	9217320-1	BRUSH HOLDER	1	BURSTENABDECKUNG	COUVRE-BROSSE	CUBRECEPILLOS	COPRISPazzola
20	9217550	LID	1	DECKEL	COUVERCLE	TAPA	COPERCHIO
21	9217549	HOOD	1	HAUBE	COFFRE	CAPO	COFANO
22	9217552	LID	1	DECKEL	COUVERCLE	TAPA	COPERCHIETTO
23	9214162	BRACKET / CLASP	2	KLIPS	CLIP	ABRAZADERA	CLIP
24	9203465	FILTER	1	FILTER	FILTRE	FILTRO	FILTRO

CODE:

PF02222WS aa SN from 98E905

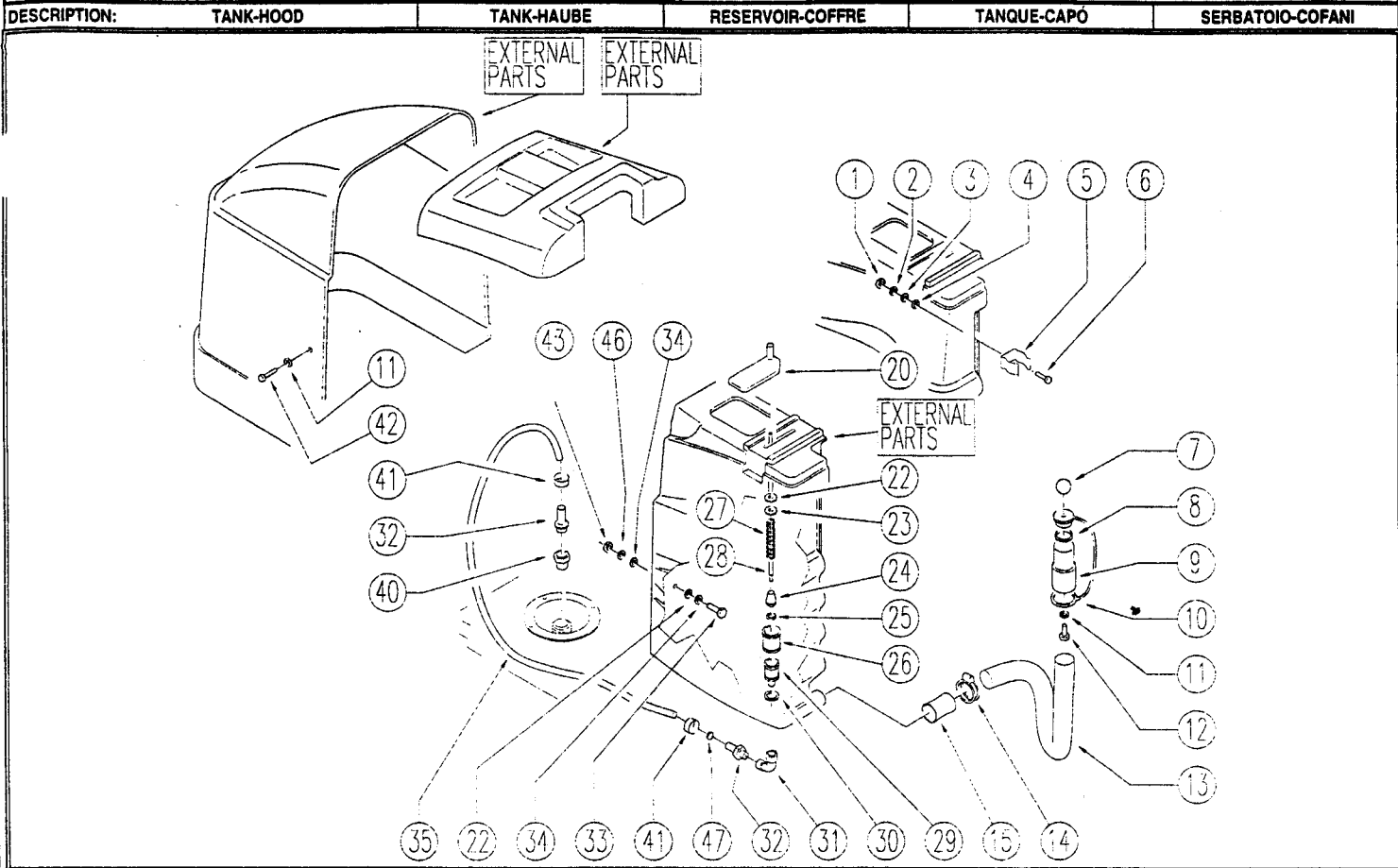
DESCRIPTION:



REF.	CODE	DESCRIPTION	QT	BESCHREIBUNG	DESCRIPTION	DESCRIPCION	DESCRIZIONE
1	PL1196WS	TANK-HOOD		TANK-HAUBE	RESERVOIR-COFFRE	TANQUE-CAPO	SERBATOIO SINISTRO-COFANO
2	PL1197WS	HANDGRIP UNIT		GRIFFGRUPPE	GROUPE MANCHE	GRUPO EMPUNADURA	IMPUGNATURA
3	PL1198WS	TANK		TANK	RESERVOIR	TANQUE	SERBATOIO DESTRO
4	PL1009	SQUEEGEE		SQUEEGEE	SQUEEGEE	SQUEEGEE	SQUEEGEE
5	PL1114	SQUEEGEE SUPPORT		SAUGFUßHALTERUNG	SUPPORT SUCEUR	SOPORTE ESCURRESUELOS	SUPPORTO SQUEEGEE
6	PL1200	ELECTRIC UNIT		ELEKTRISCHE GRUPPE	GROUPE ELECTRIQUE	GRUPO ELECTRICO	PARTI ELETTRICHE
7	PL1169	FRAME		RAHMEN	CADRE	CHASIS	TELAIO
8	PL1156	AXLE-PULLEY		ACHSE-RIEMENSCHLEIBE	ESSIEU-POULIE	EJE-POLEA	ASSE SPAZZOLA
9	PL1203WS	MOTOR		MOTOR	MOTEUR	MOTOR	MOTORE SPAZZOLA 230V
10	PL1182	SMALL WHEEL		RADCHEN	ROUE	RUEDA / RUEDECILLA	RUOTINI PRESSIONE
11	PL1155	SUCTION		ANSAUGUNG	ASPIRATION / SUCCION	SUCCION	ASPIRAZIONE (230V)
12	PL1236	CONVEYOR DRIVER		MITNEHMER	ENTRAINEUR	ARRASTRADOR	DISCO TRASCINATORE
	PL1205WS	EXTERNAL PARTS		EXTERNE TEILE	EXTERNES PARTIES	EXTERNAS PARTES	PARTI ESTERNE
	WD27018	ELEC. WIRING DIAGRAM		SCHALTPLAN	SCHEMA ELECTRIQUE	ESQUEMA ELECTRICICO	SCHEMA ELETTRICO

CODE:

pl1196WS aa SN from 98E905

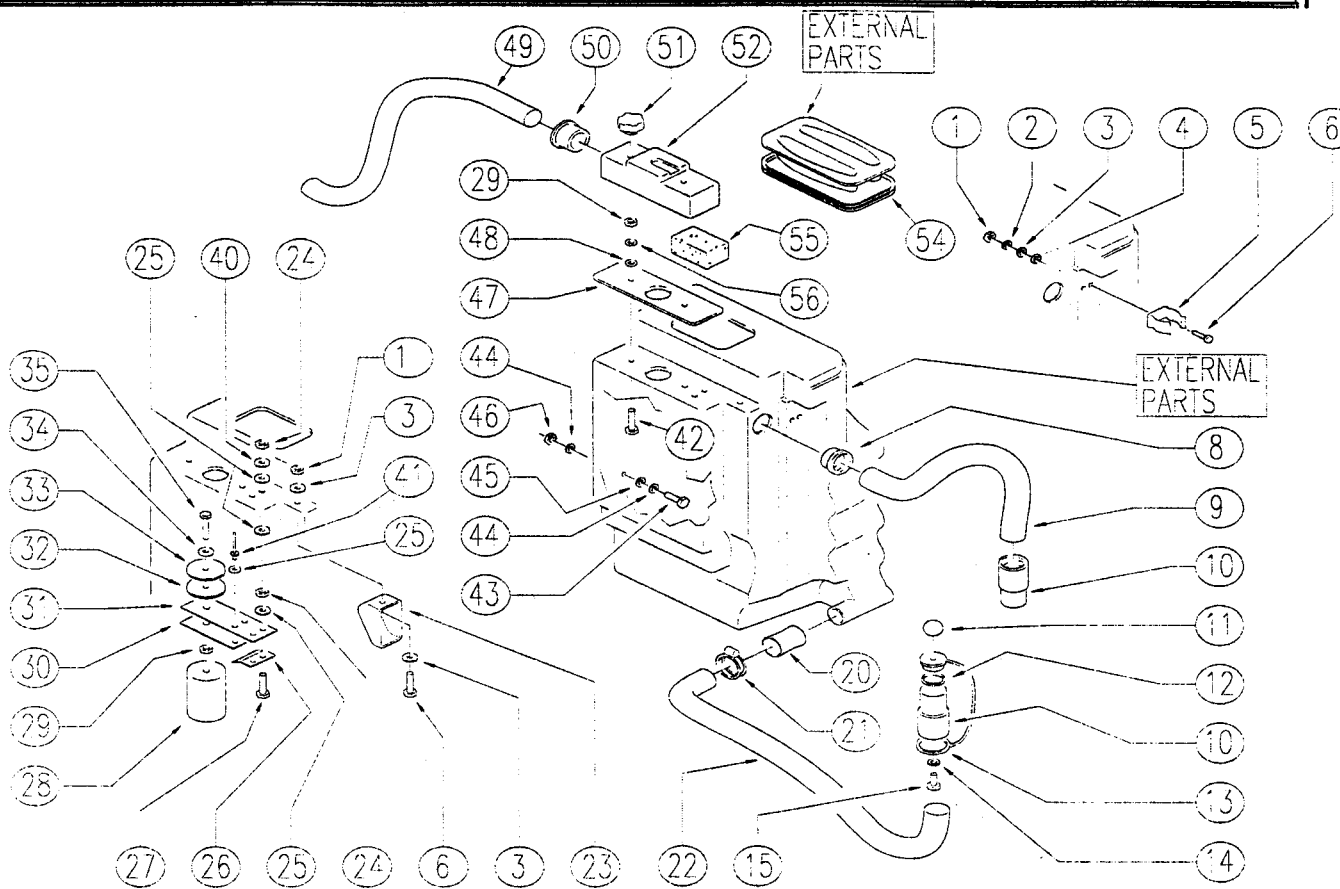


REF.	CODE	DESCRIPTION	QT	BESCHREIBUNG	DESCRIPTION	DESCRIPCION	DESCRIZIONE
1	9205016	NUT	2	MUTTER	ECROU	TUERCA	DADO
2	9206037	WASHER	2	UNTERLEGSCHIBE	RONDELLE	ARANDELA	RONDELLA
3	9206034	WASHER	2	UNTERLEGSCHIBE	RONDELLE	ARANDELA	RONDELLA
4	9203116	GASKET	2	DICHTUNG	JOINT	EMPAQUETADURA	GUARNIZIONE
5	9213014	DUCT LOCK	1	SCHLAUCHHALTER	FIXE-TUYAU	BLOQUEO TUBO	FERMA
6	9204152	SCREW	2	SCHRAUBE	VIS	TORNILLO	VITE
7	9220015	KNOB (o HANDWHEEL)	1	KNAUF	VOLANT A MAIN	BOTON ESFERICO (o VOLANTE)	POMOLO
8	9203315	GASKET	1	DICHTUNG	JOINT	EMPAQUETADURA	GUARNIZIONE
9	9214003	SLEEVE	1	MUFFE	MANCHON	MANGUITO	MANICOTTO
10	9214237	CAP	1	STOPFEN. VERSCHLUSS	BOUCHON	TAPON	TAPPO
11	9206022	WASHER	3	UNTERLEGSCHIBE	RONDELLE	ARANDELA	RONDELLA
12	9204002	SCREW	1	SCHRAUBE	VIS	TORNILLO	VITE
13	9219113	HOSE	1	SCHLAUCH	TUYAU	TUBO FLEXIBLE	TUBO
14	9214063	CLAMP	1	SHELLE	BANDE	ABRAZADERA	FASCETTA
15	9219129	SHEATH	1	MANTEL	GUAINE	VAINA	GUAINA
20	9217140-11	LEVER / CURSOR	1	SCHIEBER	CURSEUR	CURSORE	CURSORE
22	9203122	WASHER	2	UNTERLEGSCHIBE	RONDELLE	ARANDELA	RONDELLA
23	9206039	WASHER	1	UNTERLEGSCHIBE	RONDELLE	ARANDELA	RONDELLA
24	9207250	SHUTTER	1	SCHIEBER	OBTURATEUR	OTTURADOR	OTTURATORE
25	9203149	GASKET	1	DICHTUNG	JOINT	EMPAQUETADURA	GUARNIZIONE
26	9218137	FILTER	1	FILTER	FILTRE	FILTRO	FILTRO
27	9213032	SPRING	1	FEDER	RESSORT	RESORTE	MOLLA
28	9209381	TIE ROD	1	SPANNSTANGE	TIRANT	BARRA TRACTORA / TENSOR	TIRANTE
29	9207249	BODY	1	KORPER	CORPS	CUERPO	CORPO
30	9203058	GASKET	1	DICHTUNG	JOINT	EMPAQUETADURA	GUARNIZIONE
31	9218130	UNION / CONNECTOR	1	ANSCHLUSS	RACCORD	UNION / CONECTOR	RACCORDO
32	9218150	UNION / CONNECTOR	2	ANSCHLUSS	RACCORD	UNION / CONECTOR	RESCA
33	9204145	SCREW	1	SCHRAUBE	VIS	TORNILLO	VITE
34	9206025	WASHER	1	UNTERLEGSCHIBE	RONDELLE	ARANDELA	RONDELLA
35	9219124	HOSE	1	SCHLAUCH	TUYAU	TUBO FLEXIBLE	TUBO
40	9218194	NIPPLE	1	NIPPEL	NIPPLE	ENTRERROSCA	NIPPO
41	9214109	CLAMP	2	SHELLE	BANDE	ABRAZADERA	FASCETTA
42	9204027	SCREW	2	SCHRAUBE	VIS	TORNILLO	VITE
43	9205039	NUT	1	MUTTER	ECROU	TUERCA	DADO
46	9206057	WASHER	1	UNTERLEGSCHIBE	RONDELLE	ARANDELA	RONDELLA
47	9214150	CLAMP	1	SHELLE	BANDE	ABRAZADERA	FASCETTA FERMATUBO

CODE:

pl1198WS aa SN from 98E905

DESCRIPTION:	TANK	TANK	RESERVOIR	TANQUE	SERBATOIO
--------------	------	------	-----------	--------	-----------

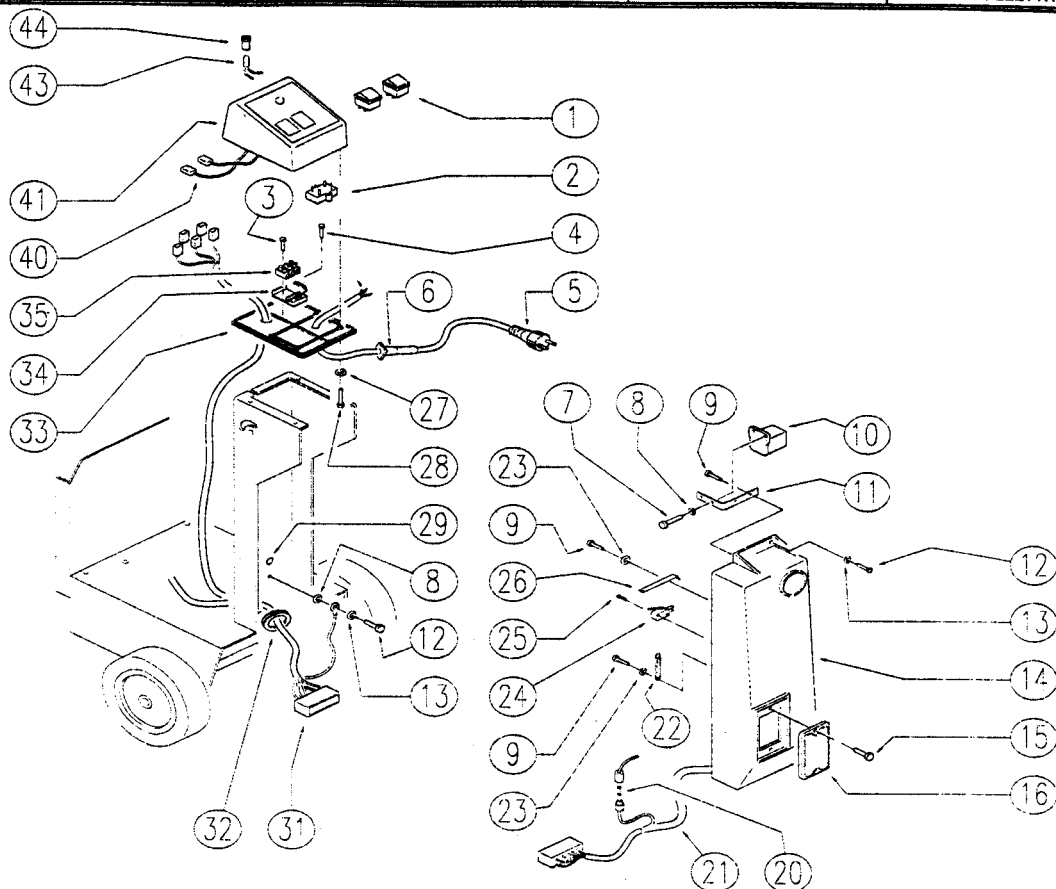


REF.	CODE	DESCRIPTION	QT	BESCHREIBUNG	DESCRIPTION	DESCRIPCION	DESCRIZIONE
1	9205016	NUT	3	MUTTER	ECROU	TUERCA	DADO
2	9206037	WASHER	2	UNTERLEGSCHIEBE	RONDELLE	ARANDELA	RONDELLA
3	9206034	WASHER	4	UNTERLEGSCHIEBE	RONDELLE	ARANDELA	RONDELLA
4	9203116	GASKET	2	DICHTUNG	JOINT	EMPAQUETADURA	GUARNIZIONE
5	9213014	DUCT LOCK	1	SCHLAUCHHALTER	FIXE-TUYAU	BLOQUEO TUBO	FERMA
6	9204152	SCREW	3	SCHRAUBE	VIS	TORNILLO	VITE
8	9207178	BUSHING / BUSH	1	BUCHSE	DOUILLE	CASQUILLO / FORRO	BOCCOLA
9	9219013	HOSE	1	SCHLAUCH	TUYAU	TUBO FLEXIBLE	TUBO
10	9214003	SLEEVE	2	MUFFE	MANCHON	MANGUITO	MANICOTTO
11	9220015	KNOB (o HANDWHEEL)	1	KNAUF	VOLANT A MAIN	BOTON ESFERICO (o VOLANTE)	POMOLO
12	9203315	GASKET	1	DICHTUNG	JOINT	EMPAQUETADURA	GUARNIZIONE
13	9214237	CAP	1	STOPFEN, VERSCHLUSS	BOUCHON	TAPON	TAPPO
14	9206022	WASHER	3	UNTERLEGSCHIEBE	RONDELLE	ARANDELA	RONDELLA
15	9204002	SCREW	1	SCHRAUBE	VIS	TORNILLO	VITE
20	9603196	SHEATH	1	MANTEL	GUAINA	VAINA	GUAINA
21	9214063	CLAMP	1	SHELLE	BANDE	ABRAZADERA	FASCETTA
22	9219113	HOSE	1	SCHLAUCH	TUYAU	TUBO FLEXIBLE	TUBO
23	9217155-1	BAFFLE PLATE	1	ABLENKER	DEFLECTEUR	DEFLECTOR	DEFLETTORE
24	9205044	NUT	4	MUTTER	ECROU	TUERCA	DADO
25	9206031	WASHER	4	UNTERLEGSCHIEBE	RONDELLE	ARANDELA	RONDELLA
26	9209675	SMALL BRACKET	1	KLEINER BUGEL	PETIT ETRIER	ABRAZADERA	STAFFETTA
27	9204189	SCREW	2	SCHRAUBE	VIS	TORNILLO	VITE
28	9218065	FLOAT	1	SCHWIMMER	FLOTTEUR	FLOTADOR	GALLEGGIANTE
29	9205017	NUT	3	MUTTER	ECROU	TUERCA	DADO
30	9209364	PLATE	1	PLATTE	PLAQUE	PLACA	PIASTRA
31	9203111	RUBBER SHIM	1	ZWISCHENLEGSCHIEBE AUS GUMMI	CALE EN CAOUTCHOUC	RIOSTRA DE GOMA	GOMMA
32	9203110	CAP	1	STOPFEN, VERSCHLUSS	BOUCHON	TAPON	TAPPO
33	9203235	CAP	1	STOPFEN, VERSCHLUSS	BOUCHON	TAPON	TAPPO
34	9206071	WASHER	1	UNTERLEGSCHIEBE	RONDELLE	ARANDELA	RONDELLA
35	9204087	SCREW	1	SCHRAUBE	VIS	TORNILLO	VITE
40	9206033	WASHER	2	UNTERLEGSCHIEBE	RONDELLE	ARANDELA	RONDELLA
41	9214006	RIVET	2	NIETE	RIVET	REMACHE	RIVETTO
42	9204140	SCREW	2	SCHRAUBE	VIS	TORNILLO	VITE
43	9204145	SCREW	1	SCHRAUBE	VIS	TORNILLO	VITE
44	9206025	WASHER	1	UNTERLEGSCHIEBE	RONDELLE	ARANDELA	RONDELLA
45	9203122	WASHER	2	UNTERLEGSCHIEBE	RONDELLE	ARANDELA	RONDELLA
46	9205039	NUT	2	MUTTER	ECROU	TUERCA	DADO
47	9203113	GASKET	1	DICHTUNG	JOINT	EMPAQUETADURA	GUARNIZIONE
48	9206071	WASHER	2	UNTERLEGSCHIEBE	RONDELLE	ARANDELA	RONDELLA
49	9219153	HOSE	1	SCHLAUCH	TUYAU	TUBO FLEXIBLE	TUBO
50	9207044	BUSHING / BUSH	1	BUCHSE	DOUILLE	CASQUILLO / FORRO	BOCCOLA
51	9220006	KNOB (o HANDWHEEL)	2	KNAUF	VOLANT A MAIN	BOTON ESFERICO (o VOLANTE)	POMOLO
52	9217141-1	BOX	1	KASTEN, GEHAUSE	BOITE	CAJA	SCATOLA
54	9203463	GASKET	1	DICHTUNG	JOINT	EMPAQUETADURA	GUARNIZIONE
55	9203109	FILTER	1	FILTER	FILTRE	FILTRO	FILTRO
56	9206023	WASHER	1	UNTERLEGSCHIEBE	RONDELLE	ARANDELA	RONDELLA

CODE:

p11200 aa SN from 98E905

DESCRIPTION:	ELECTRIC UNIT	ELEKTRISCHE GRUPPE	GRUPE ELECTRIQUE	GRUPO ELÉCTRICO	PARTI ELETTICHE
--------------	---------------	--------------------	------------------	-----------------	-----------------

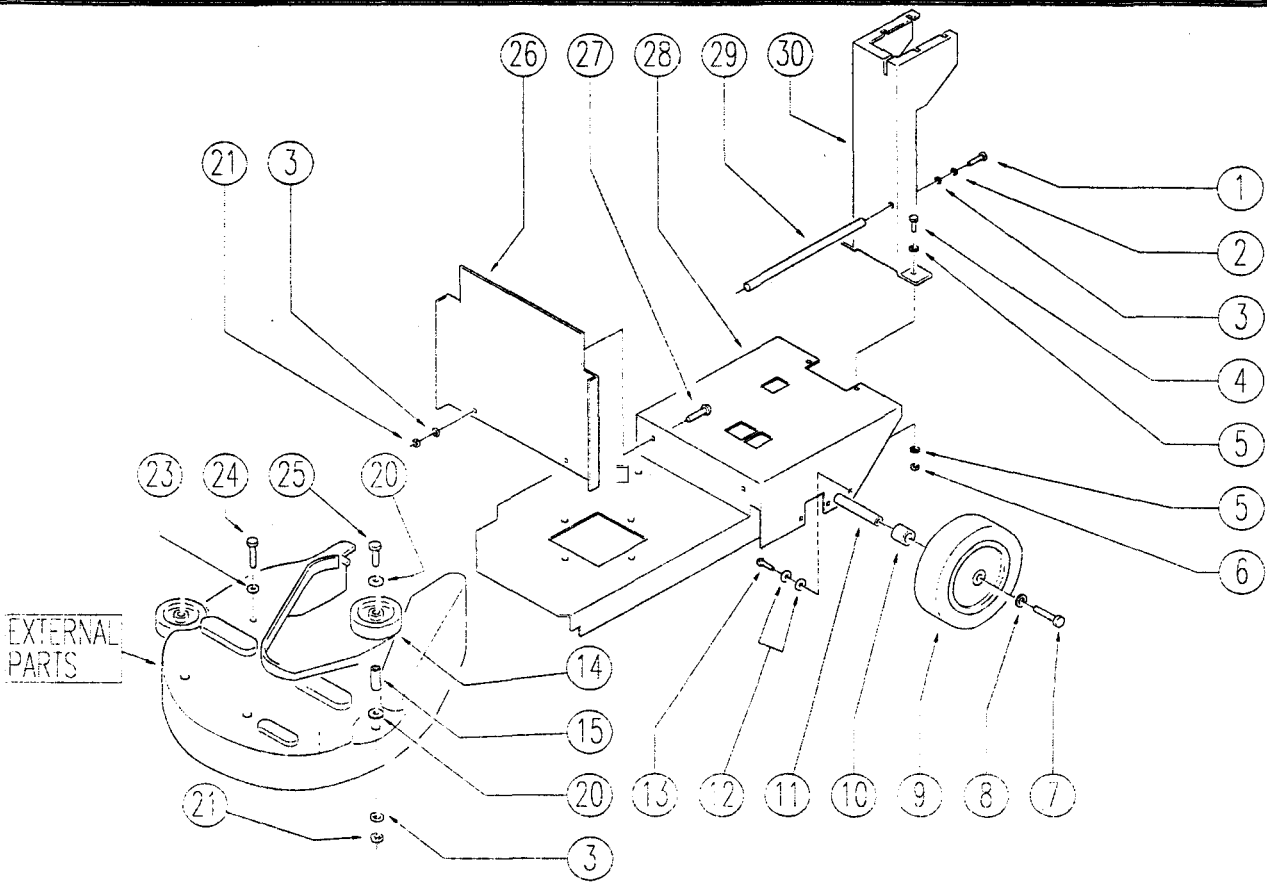


REF.	CODE	DESCRIPTION	QT	BESCHREIBUNG	DESCRIPTION	DESCRIPCION	DESCRIZIONE
1	9223211	SWITCH	2	SCHALTER	INTERRUPTEUR	INTERRUPTOR	INTERRUTTORE
2	9223092	FILTER	1	FILTER	FILTRE	FILTRO	FILTRO
3	9204214	SCREW	2	SCHRAUBE	VIS	TORNILLO	VITE
4	9204187	SCREW	2	SCHRAUBE	VIS	TORNILLO	VITE
5	9223079	POWER SUPPLY CABLE	1	STROMKABEL	CABLE ALIMENTATION	CABLE ALIMENTACION	CAVO
6	9223044	FAIRLEAD	1	KABELDURCHFÜHRUNG	PASSE-CABLE	PASACABLE	PASSACAVO
7	9204032	SCREW	2	SCHRAUBE	VIS	TORNILLO	VITE
8	9206033	WASHER	3	SCHIBE	RONDELLE	ARANDELA	RONDELLA
9	9204176	SCREW	4	SCHRAUBE	VIS	TORNILLO	VITE
10	9223342	RELAIS	1	RELAIS	RELAIS	RELAIS	RELE'
11	9209555	BRACKET	1	BUGEL	ETRIER	ESTRIBO	STAFFETTA
12	9204079	SCREW	3	SCHRAUBE	VIS	TORNILLO	VITE
13	9206019	WASHER	3	SCHIBE	RONDELLE	ARANDELA	RONDELLA
14	9217166	COVER	1	ABDECKUNG	COUVERTURE	CUBIERTA	COPRIPIANTONE
15	9204027	SCREW	2	SCHRAUBE	VIS	TORNILLO	VITE
16	9217149-1	LID	1	DECKEL	COUVERCLE	TAPA	COPERCHIO
20	9223942	FUSE	1	SICHERUNG	FUSIBLE	FUSIBLE	FUSIBILE
21	9223791	WIRING	1	VERKABELUNG	CABLAGE	CABLEO	CABLAGGIO
22	9213026	SPRING	1	FEDER	RESSORT	RESORTE	MOLLA
23	9206014	WASHER	2	SCHIBE	RONDELLE	ARANDELA	RONDELLA
24	9223120	MICROSWITCH	1	MIKROSCHALTER	MICRO-INTERRUPTEUR	MICROINTERRUPTOR	MICROINTERUTTORE
25	9204178	SCREW	2	SCHRAUBE	VIS	TORNILLO	VITE
26	9209499	FOIL / LAMINA	1	LAMELLE	FEUILLE	LAMINA	LAMINA MICRO
27	9206031	WASHER	4	SCHIBE	RONDELLE	ARANDELA	RONDELLA
28	9204177	SCREW	4	SCHRAUBE	VIS	TORNILLO	VITE
29	9225185	ADESIVE LABEL	1	AUFKLEBER	ADHESIF	ETIQUETA ADHESIVA	ADESIVO
31	9223760	WIRING	1	VERKABELUNG	CABLAGE	CABLEO	CABLAGGIO
32	9223783	FAIRLEAD	1	KABELDURCHFÜHRUNG	PASSE-CABLE	PASACABLE	PASSACAVO
33	9217178	BASE	1	BASIS	BASE	BASE	BASE
34	9223080	TERMINAL BOARD HOLDER	1	KLEMMENBRETTUR	PORTE-BORNIER	CONTENEDOR BLOQUE TERMINA	PORTAMORSETTIERA
35	9223078	TERMINAL BOARD	1	KLEMMENBRETT	PORTE-BORNES	CUADRO DE BORNES	"MAMUT"
40	9223797	WIRING	1	VERKABELUNG	CABLAGE	CABLEO	CABLAGGIO
41	9217175	CONTROL PANEL	1	INSTRUMENTENBRETT	TABEAU DE COMMANDE	CUADRO DE MANDO	PANNELLO COMANDI
43	9223014	PILOT LIGHT	1	KONTROLLAMPE	AVERTISSEUR	LUZ INDICADORA	SPIA
44	9223014-1	(RETRO)REFLECTOR / REFLEX R	1	RUCKSTRAHLER	PASTILLE REFLECHISSANTE	CATAFARO	GEMMA SPIA

CODE:

pl1169 aa SN from 98E905

DESCRIPTION: FRAME RAHMEN CADRE CHASIS TELAIO

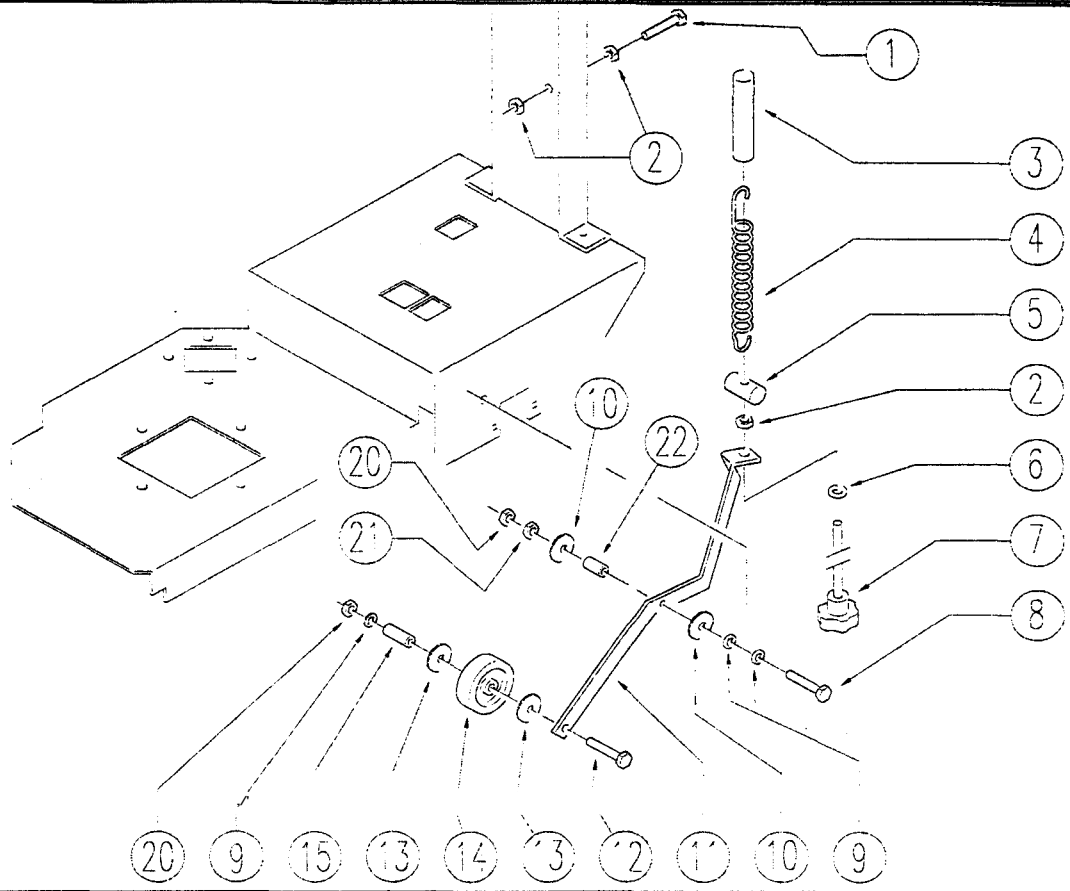


REF.	CODE	DESCRIPTION	QT	BESCHREIBUNG	DESCRIPTION	DESCRIPCION	DESCRIZIONE
1	9204002	SCREW	1	SCHRAUBE	VIS	TORNILLO	VITE
2	9206023	WASHER	2	UNTERLEGSCHIEBE	RONDELLE	ARANDELA	RONDELLA
3	9206022	WASHER	4	UNTERLEGSCHIEBE	RONDELLE	ARANDELA	RONDELLA
4	9204145	SCREW	2	SCHRAUBE	VIS	TORNILLO	VITE
5	9206057	WASHER	4	UNTERLEGSCHIEBE	RONDELLE	ARANDELA	RONDELLA
6	9205039	NUT	2	MUTTER	ECROU	TUERCA	DADO
7	9204077	SCREW	2	SCHRAUBE	VIS	TORNILLO	VITE
8	9206025	WASHER	2	UNTERLEGSCHIEBE	RONDELLE	ARANDELA	RONDELLA
9	9208022	WHEEL / SMALL WHEEL	2	RADCHEN	ROUE	RUEDA / RUEDECILLA	RUOTA
10	9207193	SPACER	2	DISTANZSTUCK	ENTRETOISE	DISTANCIADOR	DISTANZIALE
11	9207140	AXLE	1	ACHSE	ESSIEU	EJE	ASSE RUOTE
12	9206037	WASHER	2	UNTERLEGSCHIEBE	RONDELLE	ARANDELA	RONDELLA
13	9204079	SCREW	1	SCHRAUBE	VIS	TORNILLO	VITE
14	9208015	WHEEL / SMALL WHEEL	2	RADCHEN	ROUE	RUEDA / RUEDECILLA	RUOTA
15	9207165	SPACER	2	DISTANZSTUCK	ENTRETOISE	DISTANCIADOR	DISTANZIALE
20	9206039	WASHER	4	UNTERLEGSCHIEBE	RONDELLE	ARANDELA	RONDELLA
21	9205041	NUT	4	MUTTER	ECROU	TUERCA	DADO
23	9206038	WASHER	2	UNTERLEGSCHIEBE	RONDELLE	ARANDELA	RONDELLA
24	9204065	SCREW	2	SCHRAUBE	VIS	TORNILLO	VITE
25	9204133	SCREW	2	SCHRAUBE	VIS	TORNILLO	VITE
26	9209690	SUPPORT	1	HALTERUNG	SUPPORT	SOPORTE	SUPPORTO
27	9204216	SCREW	2	SCHRAUBE	VIS	TORNILLO	VITE
28	9209584	BASEMENT	1	UNTERGESTELL	SOCLE	BASAMENTO	BASAMENTO
29	9209349	SPACER	1	DISTANZSTUCK	ENTRETOISE	DISTANCIADOR	DISTANZIALE
30	9209585	UPRIGHT / PILLAR	1	STANDER	MONTANT	MONTANTE	MONTANTE

CODE:

pl1162 aa SN from 98L000

DESCRIPTION: WHEEL / SMALL WHEEL RÄDCHEN ROUE RUEDA / RUEDECILLA RUOTINO PRESSIONE



REF.	CODE	DESCRIPTION	QT	BESCHREIBUNG	DESCRIPTION	DESCRIPCION	DESCRIZIONE
1	9204048	SCREW	1	SCHRAUBE	VIS	TORNILLO	VITE
2	9205017	NUT	3	MUTTER	ECROU	TUERCA	DADO
3	9619201	SHEATH	1	MANTEL	GUAINA	VAINA	GUAINA
4	9213048	SPRING	1	FEDER	RESSORT	RESORTE	MOLLA
5	9207199	SPRING COUPLING	1	FEDERAUFHANGUNG	CROCHET RESSORT	ACOPLAMIENTO MUELLE	AGGANCIO
6	9206039	WASHER	1	UNTERLEGSCHIEBE	RONDELLE	ARANDELA	RONDELLA
7	9220047	KNOB (o HANDWHEEL)	1	KNAUF	VOLANT A MAIN	BOTON ESFERICO (o VOLANTE)	POMOLO
8	9204127	SCREW	1	SCHRAUBE	VIS	TORNILLO	VITE
9	9206041	WASHER	3	UNTERLEGSCHIEBE	RONDELLE	ARANDELA	RONDELLA
10	9206053	WASHER	2	UNTERLEGSCHIEBE	RONDELLE	ARANDELA	RONDELLA
11	9209589	LEVER	1	HEBEL	LEVIER	PALANCA	LEVA
12	9204156	SCREW	1	SCHRAUBE	VIS	TORNILLO	VITE
13	9208024-1	WASHER	2	UNTERLEGSCHIEBE	RONDELLE	ARANDELA	RONDELLA
14	9208024-3	WHEEL / SMALL WHEEL	1	RÄDCHEN	ROUE	RUEDA / RUEDECILLA	RUOTA
15	9208024-2	PIN	1	ZAPPEN	PIVOT	PERNO / PIVOTE	PERNO
20	9205039	NUT	2	MUTTER	ECROU	TUERCA	DADO
21	9205048	NUT	1	MUTTER	ECROU	TUERCA	DADO
22	9207063	BUSHING / BUSH	1	BUCHSE	DOUILLE	CASQUILLO / FORRO	BOCCOLA



LIMITED WARRANTY

Windsor Industries, Inc. warrants new machines against defects in material and workmanship under normal use and service to the original purchaser. The warranty period is subject to the conditions stated below.

2 YEARS FOR PARTS AND 6 MONTHS FOR SERVICE LABOR

Exceptions: Rotationally molded polyethylene tanks carry a **6 year** parts and 6 month service labor warranty. All RADIUS™, and all AXCESS™ carry a 1 year parts and 6 month service labor warranty. Propane equipment has a 1 year parts and 6 month service warranty. The Onan® engines have a 3 year manufacturers' warranty. The Honda® engines have a 2 year manufacturers' warranty. The engine warranty is administered through the engine manufacturer and must be repaired at an authorized service center.

The warranty commences on the purchase date by the original end user from an authorized Windsor Agent, subject to proof of purchase. The Installation and Warranty Registration Form must be completed and returned immediately at the time of purchase. If proof of purchase cannot be identified, the warranty start date is 90 days after date of sale to an authorized Windsor distributor. Parts replaced or repaired under warranty are guaranteed for the remainder of the original warranty period.

Quadra warrants its equipment to the original end user only. The warranty period begins on the date of installation to the end user, provided the Installation and Warranty Registration Form has been filled out and returned to Quadra headquarters in Englewood, CO. within 30 days of delivery. Quadra will, at its option, repair or replace without charge parts that fail under normal use and service when operated and maintained in accordance with the Owner's Guide and the preventative maintenance schedule where applicable.

STATED WARRANTIES ARE IN LIEU OF ALL OTHER WARRANTIES, EXPRESSED OR IMPLIED.

Any statutory implied warranties, including any warranty of merchantability or fitness for a particular purpose, are expressly limited to the duration of this written warranty. Windsor will not be liable for any other damages, including but not limited to indirect or special consequential damages arising out of or in connection with the furnishing; performance, use or inability to use the machine. This remedy shall be the exclusive remedy of the buyer.

THIS WARRANTY SHALL NOT APPLY TO:

1. Any product that has been subject to abuse, misuse, neglect or unauthorized alteration.
2. Products that have experienced shipping or freight damage.
3. Parts that are considered normal items consumed in day to day operation. Rubber parts such as flaps, skirts, seals, squeegee rubbers, squeegee caster wheels, radiator hoses, vacuum hoses, or impeller hoses. Normal maintenance items such as filters, belts, anti-freeze, lubricants, hydraulic oils, or shop supplies.
4. Repairs necessary to correct any failure due to improper pre-delivery service and inspection by the selling dealer.
5. Excessive time for cleaning units in preparation for repair.
6. Electrical items such as light bulbs, fuses and connectors. [This includes head & tail lights].
7. Any repairs resulting from poor initial service work or improper diagnosis.
8. Tune-up parts such as plugs, plug wires and condensers.
9. Brooms and brushes that fail due to workmanship will be replaced on a pro-rated basis for the first 12 months. Proof of purchase must be submitted to Quadra warranty and Service Department before credit will be issued.
10. Tires that fail due to workmanship will be replaced for 90 days from date of purchase. Any failure that occurs after 90 days will be reimbursed on a pro-rated basis for 12 months.
11. Battery warranties are handled directly with the manufacturer (Douglas, Exide, Trojan).

If difficulty develops during the warranty period, contact the authorized Windsor Agent from whom the product was purchased. Windsor, Inc. may elect to require the return of components to validate a claim. Any defective part to be returned must be shipped freight pre-paid to an authorized Windsor Distributor/Service Center or to the Windsor factory.

USE OF PARTS NOT APPROVED BY WINDSOR, INC. WILL VOID ALL WARRANTIES.

This warranty is in lieu of all other warranties, expressed or implied and releases Quadra from all other obligations and liabilities. Quadra is not responsible for the cost of repair performed by persons other than those specifically authorized by Quadra. This warranty does not apply to damage or loss of income due to malfunctioning of the machine. Use of parts not approved by Quadra may void the warranty.

WINDSOR

WINDSOR INDUSTRIES, INC., 1351 W. Stanford Ave., Englewood, CO 80110 USA
Phone: 303-762-1800 Fax: 303-762-0817 Internet: wmrw.windsonnd.com