

Price quote for: **Aftermarket Tractor/Skidsteer Attachments**

Vendor Name:	Titan Machinery Inc.
Contact Person:	Andy Bethel or Fred Senger
Street Address:	6340 County Road 101 East
P.O. Box:	
City, State, Zip:	Shakopee, MN 55379
Phone #:	952-445-5400
Toll Free #:	800-795-9274
Fax #:	952-445-0365
Email Address:	andy.bethel@titanmachinery.com or fred.senger@titanmachinery.com

1.0	Manufacturer's Name	Woods
	Attachment Description	http://www.woodsequipment.com/ Ag / Turf Products
	Warranty Term (months, years)	12 MONTHS
	Percent Discount (%) to be applied to Price List	28%
	Date & I.D. of Price List	1-May-14

2.0	Delivery Charges (SEE SPECIAL TERMS AND CONDITIONS)	NO FLAT RATE ALLOWED
	DELIVERY STARTING POINT city	Nearest titan Location
	state zip	
	Price per loaded mile	\$ 4.50

3.0	Price for additional Service Manual	Free
	Price for additional Parts Manual	Free

4.0	Installation Services - Per Hour (Shop Rate) Installation services may be requested on an "as needed" basis. (See Special Terms and Conditons)	\$ 112.00
------------	---	-----------

5.0 New Equipment Rental Program-
****Summer Rates, 4/1 thru 9/30**
 If rental programs are available on the new equipment offered, with the option to purchase, list the hourly/weekly/monthly rental rate. Indicate the percent of rental fee paid by the purchaser that will be applied to the purchase price. (See Solicitation Special Terms & Conditions.)

Hourly Rental Rate:	\$
Weekly Rental Rate:	\$
Monthly Rental Rate:	\$
Percent (%) of Rental Fee applied to purchase price:	

6.0 New Equipment Rental Program-
****Winter Rates, 10/1 thru 3/31**

If rental programs are available on the new equipment offered, with the option to purchase, list the hourly/weekly/monthly rental rate. Indicate the percent of rental fee paid by the purchaser that will be applied to the purchase price. (See Solicitation Special Terms & Conditions.)

Hourly Rental Rate:	\$
Weekly Rental Rate:	\$
Monthly Rental Rate:	\$
Percent (%) of Rental Fee applied to purchase price:	

7.0 Vendor Owned Rental or Demo Equipment Sales

(See Solicitation Special Terms and Conditions.)

<u>DEDUCT</u> cost per Used Hour from the original Contract Price	\$
--	-----------

TABLE OF CONTENTS

Rotary Cutters	RC1 – RC30
Table of Contents	RC1
Single-Spindle Cutters	RC2 – RC8
Ditch Bank Cutters	RC9
Dual-Spindle and Multi-Spindle Cutters	RC10 – RC19
Batwing [®] Cutters	RC20 – RC30
Flail Shredders	FS1 – FS10
Table of Contents	FS1
End Drive Flail Shredders	FS2 – FS4
Center Drive Flail Shredders	FS5 – FS10
Finish Mowers	FM1 – FM14
Table of Contents	FM1
Rear-Mount and Rear Discharge Mowers	FM2 – FM5
Turf Batwing [®] Rear Discharge Mowers	FM6 – FM8
Undermount Mowers	FM9 – FM14
Landscape Equipment	LE1 – LE22
Table of Contents	LE1
Box Scrapers	LE2 – LE3
Grading Scrapers	LE4
Chippers / Shredders	LE5
Disc Harrows	LE6
Landscape Rakes	LE6 – LE8
Pluggers / Core Aerators	LE8
Post Hole Diggers, Augers and Accessories	LE9 – LE10
Power Rakes	LE11
Pulverizers	LE12
Quick Hitch	LE13
Rear Blades	LE13 – LE15
Rotary Tillers	LE16 – LE18
Seeders	LE19 – LE21
Stump Grinders	LE22

TABLE OF CONTENTS (Continued)

Snow Blowers	SN1 – SN4
Loaders	LdrTOC1 – LdrAttach8
Table of Contents	LdrTOC1 – LdrTOC4
Tractor / Loader Adaptability Chart	LdrChart1 – LdrChart10
Sub-Compact Series Loaders (LS72, LS84, LS96R, LS96)	LS72QO1 – LS96CO4
Compact Series Loaders (LC96, LC102, LC108, LC114)	LC96QO1 – LC114CO6
Utility Series Loaders (LU126, LU132, LU215)	LU126QO1 – LU215CO8
Farm Series Loaders (LF138, LF156)	LF138CO1 – LF156CO6
Loader Attachments	LdrAttach1 – LdrAttach8
Backhoes	BH1 – BH36
Table of Contents	BH1
Tractor/Backhoe Adaptability Chart	BH2 – BH3
BH6000 Groundbreaker-X™	BH4 – BH7
BH70-X Groundbreaker-X	BH8 – BH18
BH80-X Groundbreaker-X	BH19 – BH28
BH90-X Groundbreaker-X	BH29 – BH36
Skid Steer Attachments	SS1 – SS8
Table of Contents	SS1
Woods® Skid Steer Attachments	SS2 – SS7

TABLE OF CONTENTS

Single-Spindle Cutters	RC2 – RC8
RC-Series 3.5-, 4-, 5- and 6-foot	RC2 – RC3
Standard-, Medium- and Heavy-Duty BrushBull™ – 4- through 7-foot	RC4 – RC8
Ditch Bank Cutters, Mechanical Drive – 5- and 6-foot	RC9
Belt Drive Dual-Spindle Cutters – 80-inch	RC10
Standard- and Heavy-Duty Multi-Spindle Cutters – 8- through 14-foot	RC11 – RC19
Batwing® Cutters	RC20 – RC31
12-foot Dual Wing Batwing Cutter for Compact/Utility Tractors	RC20
15-foot Dual Wing Batwing Cutter for Compact/Utility Tractors	RC21
10.5-foot Standard-Duty Single Wing Batwing Cutter	RC22
15-foot Standard-Duty Dual Wing Batwing Cutter	RC23
10.5-foot Heavy-Duty Single Wing Batwing Cutter	RC24
15-foot Heavy-Duty Dual Wing Batwing Cutter	RC25
10.5-foot Extreme-Duty Single Wing Batwing Cutter	RC26
15-foot Extreme-Duty Dual Wing Batwing Cutter	RC27
20-foot Standard-Duty Folding Wing Batwing Cutter	RC28
20-foot Heavy-Duty Folding Wing Batwing Cutter	RC29
13.5-foot Extreme-Duty Single Folding Wing Batwing Cutter	RC30
20-foot Extreme-Duty Folding Wing Batwing Cutter	RC31

ROTARY CUTTER

12-foot Dual Wing Batwing® for Compact/Utility Tractors – Model BW12

Base Unit is fully assembled and includes wing and lift cylinders, hoses, stroke control kits and single row chain shielding.



BASE UNIT					
Model No.	Tires	Woods® Orange Part No.	Paint to Match Part No.*	Shipping Wt. (lbs.)	Suggested List Price
BW12	24 x 7.25 x 12 5-Bolt Used Aircraft Tire	1038900	1038900CP	2450	\$ 15,086.00
BW12	24 x 7.25 x 12 5-Bolt Foam-Filled Used Aircraft Tire	1038900F	1038900FCP	2590	15,262.00
BW12	21" O.D. Solid Laminated Tire & Wheel	1038900N	1038900NCP	2530	15,126.00

* Painted colors to match Orange, Blue, Green and Red tractors.

BLADE KITS					
Part No.	Description	Blades Per Kit	Qty. Req'd	Shipping Wt. (lbs.)	Suggested List Price
57099KT	Standard Blade Kit (center or right wing), CCW	2	2 kits	21/kit	▲
1003490KT	Standard Blade Kit (left wing), CW	2	1 kit	21/kit	▲
BW12LHBDKT	Complete Set of Standard Blades	6	1 kit	63/kit	▲

FEATURES & SPECIFICATIONS:

Recommended tractor horsepower:
35 – 70 hp

Drawbar height range: 13" – 20"

Smooth, sloped top deck sheds water and debris

High-strength 12-gauge deck plates maintain durability while keeping weight low

Category 4 constant velocity PTO drive

Category 3 wing drives with slip clutches

540 rpm CV drive only

Wing operating range:
90 degrees up / 22 degrees down

Full length replaceable "bolt-on" formed side skids on wings

Front and rear chain safety shielding on wings and center section built-in standard

Swivel clevis hitch

Transport lock

Cutting capacity: 1.5 inches diameter

160 hp splitter gearbox,
75 hp spindle gearboxes

Blade tip speed:
14,300 fpm center,
14,900 fpm wing

6-year limited gearbox warranty

WARNING: CHAIN SAFETY SHIELDING STANDARD EQUIPMENT. Chain safety shielding must be used for all non-agricultural uses and in areas where the possibility of thrown objects could be hazardous to persons or property.

Model BW12 is available in the tractor colors as listed above.

"MATCH YOUR TRACTOR" TERMS & CONDITIONS

1. Product availability in most cases will be 30 to 60 days and sometimes less.
2. "Match Your Tractor" BW12s are built to order, requiring lead times that may vary.
3. "Match Your Tractor" orders are non-cancellable. Units and their accessories may not be returned.
4. Changes to existing orders must have the Dealer Service Supervisor's approval.
5. Repair parts are only available in Woods orange and all chain shield brackets are black (including Woods orange units).
6. Woods reserves the right to limit quantities and to modify or cancel this offering at any time.

ROTARY CUTTER

15-foot Dual Wing Batwing® for Compact/Utility Tractors – Model BW15

MUST CHOOSE ONE EACH FROM SECTIONS 1 – 3

Base Unit includes wing and lift cylinders, hoses, stroke control kits and single row chain shielding.



FEATURES & SPECIFICATIONS:

Recommended tractor horsepower:
40 – 90 hp

Smooth, sloped top, 11-gauge deck
sheds water and debris

Category 4 constant velocity PTO drive

Category 3 wing drives with slip clutches

540 rpm CV drive only

Wing operating range:
90 degrees up / 22 degrees down

Full length replaceable “bolt-on” formed
side skids on wings

Front and rear chain safety shielding
on wings and center section

Clevis hitch

Transport lock

Cutting capacity: 1.5 inches diameter

160 hp splitter gearbox,
90 hp spindle gearboxes

15,270 fpm blade tip speed for
540 rpm PTO

6-year limited gearbox warranty

WARNING: CHAIN SAFETY SHIELDING STANDARD EQUIPMENT.
Chain safety shielding must be used for all non-agricultural uses and in areas where the possibility of thrown objects could be hazardous to persons or property.

SECTION 1: BASE UNIT (MUST choose one)

Model Selection	Part No.	PTO	Add from Section 2	Shipping Wt. (lbs.)	Suggested List Price
BW15LHW	96244	540	4 wheels/tires	3285	\$ 14,845.00

SECTION 2: WHEELS AND TIRES (MUST choose one)

Part No.	Description Note: Add'l wheels require Dual Hub Kit (section 4)	Shipping Wt. (lbs.)	Suggested List Price Ea.	Price x 4
1017088	15" Wheel Rims for Pneumatic Tires (dealer supplies tires)	18 ea.	\$ 64.00	\$ 256.00
1017040	21" O.D. Solid Laminated Tire & Wheel	62 ea.	319.00	1,276.00
1028820	24 x 7.25 x 12 5-Bolt Used Aircraft Tire	42 ea.	311.00	1,244.00
1028820F	24 x 7.25 x 12 5-Bolt Foam-Filled Used Aircraft Tire	77 ea.	355.00	1,420.00

SECTION 3: ASSEMBLY (MUST choose one)

Part No.	Description	Shipping Wt. (lbs.)	Suggested List Price
BW15CRT	BW15LH Dealer Assembled	394	\$ 0.00
BW15ASM	BW15LH Factory Assembled	389	510.00

NOTE: Freight charge for factory assembled units (additional)

Net Price \$ 150.00

SECTION 4: OPTIONS AND ACCESSORIES

Part No.	Description	Ordering Information	Suggested List Price	Add/Deduct
1032240	Single Row Front Chain Shield	Included with Base Unit	\$ 567.00	—
1032250	Single Row Rear Chain Shield	Included with Base Unit	288.00	—
1032270	Front Rubber Belt Shield	Deduct 1032240	304.00	-263.00
1032280	Rear Rubber Belt Shield	Deduct 1032250	180.00	-108.00
1017310	Dual Hub Kit (1 kit for center; 1 kit for wings)	Order 2 add'l wheels per kit	279.00	—
8326	Three-Spool Valve Kit	Requires 8329 bracket	705.00	—
8329	Fender Bracket	For Three-Spool Valve Kit	180.00	—
1019456	Cable Winch Kit		453.00	—
1003696	T-Hose Kit	Connects wing cylinders to one hose	76.00	—

SECTION 5: BLADE KITS

Part No.	Description	Blades Per Kit	Qty. Req'd	Shipping Wt. (lbs.)	Suggested List Price
19160KT	Standard Blade Kit (center or right wing), CCW	2	2 kits	28/kit	▲
19161KT	Standard Blade Kit (left wing), CW	2	1 kit	29/kit	▲
19162KT	Flat Double Edge Blade Kit (center and wing)	2	3 kits	27/kit	▲
3180BDKT	Complete Set of Standard Blades	6	1 kit	84/kit	▲

ROTARY CUTTER

10.5-foot Standard-Duty Batwing® – Model BW126X

MUST CHOOSE ONE EACH FROM SECTIONS 1 – 4

Base Unit is fully assembled and includes wing and lift cylinders, hoses, stroke control kits and single row chain shielding.



FEATURES & SPECIFICATIONS:

- Recommended tractor horsepower: 45 – 160 hp
- Smooth, sloped top, 10-gauge deck sheds water and debris
- Category 5 heavy equal angle input or Category 6 constant velocity (CV) PTO drive
- Category 4 wing drive with clutch
- Wing operating range: 90 degrees up / 22 degrees down
- Full length replaceable “bolt-on” formed side skid on wing
- Front and rear safety chain shielding
- Round stump jumpers
- Easy “Quick Change” blade pins
- Clevis hitch
- Transport lock
- Cutting capacity: 2 inches diameter
- 160 hp splitter gearbox, 120 hp spindle gearboxes
- Blade tip speed: 14,965 fpm for 540 rpm PTO; 15,450 fpm for 1000 rpm PTO
- 6-year limited gearbox warranty
- 10-year deck rust-through warranty

WARNING: CHAIN SAFETY SHIELDING STANDARD EQUIPMENT. Chain safety shielding must be used for all non-agricultural uses and in areas where the possibility of thrown objects could be hazardous to persons or property.

SECTION 1: BASE UNIT (MUST choose one)

Model Selection	Part No.	PTO	Right Wing	Left Wing	Shipping Wt. (lbs.)	Suggested List Price
BW126XW	96294	540	Yes	No	3680	\$ 14,760.00
BW126XLW	96295	540	No	Yes	3680	14,760.00
BW126XQW	96296	1000	Yes	No	3680	14,760.00
BW126XQLW	96297	1000	No	Yes	3680	14,760.00

SECTION 2: PTO DRIVELINES (MUST choose one)

Part No.	Description	Shipping Wt. (lbs.)	Suggested List Price
1033936	1-3/8" 540 RPM Equal Angle Drive	97	\$ 1,444.00
1021103	1-3/8" 540 RPM CV Drive	76	1,267.00
1021104	1-3/8" 1000 RPM CV Drive	76	1,267.00
1021105	1-3/4" 1000 RPM CV Drive	76	1,427.00

SECTION 3: AXLE ARMS (MUST choose one)

Part No.	Description Note: Add'l wheels require Dual Hub Kit (section 5)	Add from Section 4	Shipping Wt. (lbs.)	Suggested List Price
1034088	Right Wing Rigid Axle Arms (single center spring)	3 wheels/tires	422	\$ 1,155.00
1034089	Left Wing Rigid Axle Arms (single center spring)	3 wheels/tires	422	1,155.00

SECTION 4: WHEELS AND TIRES (MUST choose one)

Part No.	Description	Shipping Wt. (lbs.)	Suggested List Price Ea.	Price x 3
1017088	15" Wheel Rims for Pneumatic Tires (dealer supplies tires)	18 ea.	\$ 64.00	\$ 192.00
1017040	21" O.D. Solid Laminated Tire & Wheel	62 ea.	319.00	957.00
1017030	29 x 9 x 15 Used Aircraft Tire & Rim	75 ea.	348.00	1,044.00
1017030F	29" O.D. Foam-Filled Used Aircraft Tire w/Wheel	156 ea.	472.00	1,416.00
1028820	24 x 7.25 x 12 5-Bolt Used Aircraft Tire	42 ea.	311.00	933.00
1028820F	24 x 7.25 x 12 5-Bolt Foam-Filled Used Aircraft Tire	77 ea.	355.00	1,065.00

NOTE: Freight charge for factory assembled units (additional)

Net Price \$ 150.00

SECTION 5: OPTIONS AND ACCESSORIES

Part No.	Description	Ordering Information	Suggested List Price	Add/Deduct
1034896	Right Wing Single Row Chain Shield	Included with Base Unit	\$ 1,124.00	—
1034897	Left Wing Single Row Chain Shield	Included with Base Unit	1,124.00	—
1033906	Right Wing Double Row Chain Shield	Deduct 1034896	1,460.00	+ 336.00
1033907	Left Wing Double Row Chain Shield	Deduct 1034897	1,460.00	+ 336.00
1033938	Clevis Tongue	Included with Base Unit	561.00	—
1033940	Swivel Clevis Tongue	Deduct 1033938	663.00	+ 102.00
1033944	Pintle Ring Tongue	Deduct 1033938	791.00	+ 230.00
1017310	Dual Hub Kit (for center section)	Order 2 add'l wheels	279.00	—
1028801	Dual Hub Kit (for wing section)	Order 1 add'l wheel	176.00	—
1019456	Cable Winch Kit		453.00	—

SECTION 6: BLADE KITS

Part No.	Description	Blades Per Kit	Qty. Req'd	Shipping Wt. (lbs.)	Suggested List Price
19160KT	Standard Blade Kit (center or right wing), CCW	2	1 kit	28/kit	▲
19161KT	Standard Blade Kit (left wing), CW	2	1 kit	29/kit	▲
19162KT	Flat Double Edge Blade Kit (center and wing)	2	2 kits	27/kit	▲

ROTARY CUTTER

15-foot Standard-Duty Batwing® – Model BW180X

MUST CHOOSE ONE EACH FROM SECTIONS 1 – 5

Base Unit includes wing and lift cylinders, hoses, stroke control kits and single row chain shielding.



FEATURES & SPECIFICATIONS:

Recommended tractor horsepower:
45 – 160 hp

Smooth, sloped top, 10-gauge deck sheds water and debris

Category 5 heavy equal angle input or Category 6 constant velocity (CV) PTO drive

Category 4 wing drives with slip clutches

Wing operating range:
90 degrees up / 22 degrees down

Full length replaceable “bolt-on” formed side skids on wings

Front and rear chain safety shielding on wings and center section

Stump jumpers

Easy “Quick Change” blade pins

Clevis hitch

Transport lock

Cutting capacity: 2 inches diameter

160 hp splitter gearbox,
120 hp spindle gearboxes

Blade tip speed:
14,965 fpm for 540 rpm PTO;
15,450 fpm for 1000 rpm PTO

6-year limited gearbox warranty

10-year deck rust-through warranty

WARNING: CHAIN SAFETY

SHIELDING STANDARD EQUIPMENT.

Chain safety shielding must be used for all non-agricultural uses and in areas where the possibility of thrown objects could be hazardous to persons or property.

SECTION 1: BASE UNIT (MUST choose one)

Model Selection	Part No.	PTO	Shipping Wt. (lbs.)	Suggested List Price
BW180XW	96328	540	3273	\$ 11,996.00
BW180XQW	96329	1000	3273	11,996.00

SECTION 2: PTO DRIVELINES (MUST choose one)

Part No.	Description	Shipping Wt. (lbs.)	Suggested List Price
1033936	1-3/8" 540 RPM Equal Angle Drive	97	\$ 1,444.00
1021103	1-3/8" 540 RPM CV Drive	76	1,267.00
1021104	1-3/8" 1000 RPM CV Drive	76	1,267.00
1021105	1-3/4" 1000 RPM CV Drive	76	1,427.00

SECTION 3: AXLE ARMS (MUST choose one)

Part No.	Description	Add from Section 4	Shipping Wt. (lbs.)	Suggested List Price
1033928	Rigid Axle Arms (single center spring) Note: Add'l wheels require Dual Hub Kit (sec. 6)	4 wheels/tires	500	\$ 1,529.00
1033926	Spring-Loaded Axle Arms: for use with all tires & wheels	4 wheels/tires	556	3,171.00

SECTION 4: WHEELS AND TIRES (MUST choose one)

Part No.	Description	Shipping Wt. (lbs.)	Suggested List Price Ea.	Price x 4
1017088	15" Wheel Rims for Pneumatic Tires (dealer supplies tires)	18 ea.	\$ 64.00	\$ 256.00
1017040	21" O.D. Solid Laminated Tire & Wheel	62 ea.	319.00	1,276.00
1017030	29 x 9 x 15 Used Aircraft Tire & Rim	75 ea.	348.00	1,392.00
1017030F	29" O.D. Foam-Filled Used Aircraft Tire w/Wheel	156 ea.	472.00	1,888.00
1028820	24 x 7.25 x 12 5-Bolt Used Aircraft Tire	42 ea.	311.00	1,244.00
1028820F	24 x 7.25 x 12 5-Bolt Foam-Filled Used Aircraft Tire	77 ea.	355.00	1,420.00

SECTION 5: COMPLETING COMPONENTS / ASSEMBLY (MUST choose one)

Part No.	Description	Shipping Wt. (lbs.)	Suggested List Price
BW180XCRT	BW180X Dealer Assembled Completing Components	395	\$ 2,736.00
BW180XASM	BW180X Factory Assembled Completing Components	390	3,246.00

NOTE: Freight charge for factory assembled units (additional)

Net Price \$ 150.00

SECTION 6: OPTIONS AND ACCESSORIES

Part No.	Description	Ordering Information	Suggested List Price	Add/Deduct
1034273	Single Row Front Chain Shield	Included with Base Unit	\$ 999.00	—
1028150	Single Row Rear Chain Shield	Included with Base Unit	566.00	—
1027473	Front Rubber Belt Shield	Deduct 1034273	530.00	-469.00
1027474	Rear Rubber Belt Shield	Deduct 1028150	244.00	-322.00
1033903	Double Row Front Chain Shield	Deduct 1034273	1,285.00	+286.00
1033904	Double Row Rear Chain Shield	Deduct 1028150	734.00	+168.00
1033938	Clevis Tongue	Included with Base Unit	561.00	—
1033940	Swivel Clevis Tongue	Deduct 1033938	663.00	+102.00
1033944	Pintle Ring Tongue	Deduct 1033938	791.00	+230.00
1017310	Dual Hub Kit (1 kit for center; 1 kit for wings)	Order 2 add'l wheels per kit	279.00	—
8326	Three-Spool Valve Kit	Requires 8329 bracket	705.00	—
8329	Fender Bracket	For Three-Spool Valve Kit	180.00	—
1019456	Cable Winch Kit		453.00	—
1003696	T-Hose Kit	Connects wing cylinders to one hose	76.00	—
1034995	BW126X Weight Box Conversion Kit	Converts dual wing to single wing	1,670.00	—

SECTION 7: BLADE KITS

Part No.	Description	Blades Per Kit	Qty. Req'd	Shipping Wt. (lbs.)	Suggested List Price
19160KT	Standard Blade Kit (center or right wing), CCW	2	2 kits	28/kit	▲
19161KT	Standard Blade Kit (left wing), CW	2	1 kit	29/kit	▲
19162KT	Flat Double Edge Blade Kit (center and wing)	2	3 kits	27/kit	▲
3180BDKT	Complete Set of Standard Blades	6	1 kit	84/kit	▲

ROTARY CUTTER

10.5-foot Heavy-Duty Batwing® – Model BW126XHD

MUST CHOOSE ONE EACH FROM SECTIONS 1 – 4

Base Unit is fully assembled and includes wing and lift cylinders, hoses, stroke control kits and single row chain shielding.



FEATURES & SPECIFICATIONS:

- Recommended tractor horsepower: 55 – 235 hp
- Smooth, sloped top, 10-gauge deck sheds water and debris
- Category 5 heavy equal angle input or Category 6 constant velocity (CV) PTO drive
- Category 4 wing drive with slip clutch
- Wing operating range: 90 degrees up / 22 degrees down
- Full length replaceable “bolt-on” formed side skid on wing
- Front and rear chain safety shielding on wing and center section
- Stump jumpers
- Easy “Quick Change” blade pins
- Swivel clevis hitch
- Cutting capacity: 3.5 inches diameter
- 250 hp splitter gearbox, 210 hp spindle gearboxes
- 16,000 fpm blade tip speed for 540/1000 rpm PTO
- 6-year limited gearbox warranty
- 10-year deck rust-through warranty

WARNING: CHAIN SAFETY SHIELDING STANDARD EQUIPMENT. Chain safety shielding must be used for all non-agricultural uses and in areas where the possibility of thrown objects could be hazardous to persons or property.

SECTION 1: BASE UNIT (MUST choose one)

Model Selection	Part No.	PTO	Deck Rings	Right Wing	Left Wing	Shipping Wt. (lbs.)	Suggested List Price
BW126XHDW	96300	540	No	Yes	No	3823	\$ 16,515.00
BW126XHDRW	96302	540	Yes	Yes	No	3924	17,097.00
BW126XHDLW	96301	540	No	No	Yes	3823	16,515.00
BW126XHDRLW	96303	540	Yes	No	Yes	3924	17,097.00
BW126XHDQW	96304	1000	No	Yes	No	3823	16,515.00
BW126XHDQRW	96306	1000	Yes	Yes	No	3924	17,097.00
BW126XHDQLW	96305	1000	No	No	Yes	3823	16,515.00
BW126XHDQRLW	96307	1000	Yes	No	Yes	3924	17,097.00

SECTION 2: PTO DRIVELINES (MUST choose one)

Part No.	Description	Shipping Wt. (lbs.)	Suggested List Price
1033936	1-3/8" 540 RPM Equal Angle Drive	97	\$ 1,444.00
1021103	1-3/8" 540 RPM CV Drive	76	1,267.00
1021104	1-3/8" 1000 RPM CV Drive	76	1,267.00
1021105	1-3/4" 1000 RPM CV Drive	76	1,427.00

SECTION 3: AXLE ARMS (MUST choose one)

Part No.	Description Note: Add'l wheels require Dual Hub Kit (section 5)	Add from Section 4	Shipping Wt. (lbs.)	Suggested List Price
1034078	Right Wing Rigid Axle Arms: for use with aircraft tires & wheels (single center spring)	3 wheels/tires	379	\$ 1,559.00
1034080	Right Wing Spring-Loaded Axle Arms: for use with all tires & wheels	3 wheels/tires	492	2,776.00
1034082	Right Wing Walking Tandem Spring-Loaded Axle Arms: for use with all tires & wheels	5 wheels/tires	642	3,577.00
1034079	Left Wing Rigid Axle Arms: for use with aircraft tires & wheels (single center spring)	3 wheels/tires	379	1,559.00
1034081	Left Wing Spring-Loaded Axle Arms: for use with all tires & wheels	3 wheels/tires	492	2,776.00
1034083	Left Wing Walking Tandem Spring-Loaded Axle Arms: for use with all tires & wheels	5 wheels/tires	642	3,577.00

SECTION 4: WHEELS AND TIRES (MUST choose one)

Part No.	Description	Shipping Wt. (lbs.)	Suggested List Price Ea.	Price x 3	Price x 5
1017088	15" Wheel Rims for Pneumatic Tires (dealer supplies tires)	18 ea.	\$ 64.00	\$ 192.00	\$ 320.00
1017040	21" O.D. Solid Laminated Tire & Wheel	62 ea.	319.00	957.00	1,595.00
1017030	29 x 9 x 15 Used Aircraft Tire & Rim	75 ea.	348.00	1,044.00	1,740.00
1017030F	29" O.D. Foam-Filled Used Aircraft Tire w/Wheel	156 ea.	472.00	1,416.00	2,360.00
1028820	24 x 7.25 x 12 5-Bolt Used Aircraft Tire	42 ea.	311.00	933.00	1,555.00
1028820F	24 x 7.25 x 12 5-Bolt Foam-Filled Used Aircraft Tire	77 ea.	355.00	1,065.00	1,775.00

NOTE: Freight charge for factory assembled units (additional)

Net Price \$ 150.00

SECTION 5: OPTIONS AND ACCESSORIES

Part No.	Description	Ordering Information	Suggested List Price	Add/Deduct
1034896	Right Wing Single Row Chain Shield	Included with Base Unit	\$ 1,124.00	—
1034897	Left Wing Single Row Chain Shield	Included with Base Unit	1,124.00	—
1033906	Right Wing Double Row Chain Shield	Deduct 1034896	1,460.00	+336.00
1033907	Left Wing Double Row Chain Shield	Deduct 1034897	1,460.00	+336.00
1033940	Swivel Clevis Tongue	Included with Base Unit	663.00	—
1033944	Pintle Ring Tongue	Deduct 1033940	791.00	+128.00
1017310	Dual Hub Kit (for center section)	Order 2 add'l wheels	279.00	—
1028801	Dual Hub Kit (for wing section)	Order 1 add'l wheel	176.00	—
1019456	Cable Winch Kit		453.00	—

SECTION 6: BLADE KITS

Part No.	Description	Blades Per Kit	Qty. Req'd	Shipping Wt. (lbs.)	Suggested List Price
19160KT	Standard Blade Kit (center or right wing), CCW	2	1 kit	28/kit	▲
19161KT	Standard Blade Kit (left wing), CW	2	1 kit	29/kit	▲
19162KT	Flat Double Edge Blade Kit (center and wing)	2	2 kits	27/kit	▲

ROTARY CUTTER

15-foot Heavy-Duty Batwing® – Model BW180XHD

MUST CHOOSE ONE EACH FROM SECTIONS 1 – 5

Base Unit includes wing and lift cylinders, hoses, stroke control kits and single row chain shielding.

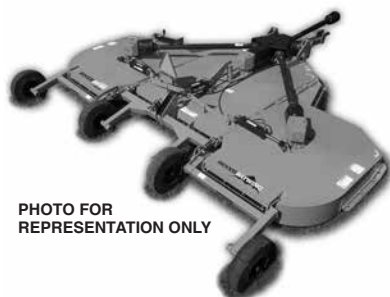


PHOTO FOR REPRESENTATION ONLY

FEATURES & SPECIFICATIONS:

Recommended tractor horsepower: 55 – 235 hp

Smooth, sloped top, 10-gauge deck sheds water and debris

Category 5 heavy equal angle input or Category 6 constant velocity (CV) PTO drive

Category 4 wing drives with slip clutches

Wing operating range: 90 degrees up / 22 degrees down

Full length replaceable “bolt-on” formed side skids on wings

Front and rear chain safety shielding on wings and center section

Stump jumpers

Easy “Quick Change” blade pins

Swivel clevis hitch

Cutting capacity: 3.5 inches diameter

250 hp splitter gearbox, 210 hp spindle gearboxes

16,000 fpm blade tip speed for 540/1000 rpm PTO

6-year limited gearbox warranty

10-year deck rust-through warranty

WARNING: CHAIN SAFETY SHIELDING STANDARD EQUIPMENT. Chain safety shielding must be used for all non-agricultural uses and in areas where the possibility of thrown objects could be hazardous to persons or property.

SECTION 1: BASE UNIT (MUST choose one)

Model Selection	Part No.	PTO	Deck Rings	Shipping Wt. (lbs.)	Suggested List Price
BW180XHDW	96330	540	No	3471	\$ 14,880.00
BW180XHDRW	96331	540	Yes	3621	15,712.00
BW180XHDQW	96332	1000	No	3471	14,880.00
BW180XHDQRW	96333	1000	Yes	3621	15,712.00

SECTION 2: PTO DRIVELINES (MUST choose one)

Part No.	Description	Shipping Wt. (lbs.)	Suggested List Price
1033936	1-3/8" 540 RPM Equal Angle Drive	97	\$ 1,444.00
1021103	1-3/8" 540 RPM CV Drive	76	1,267.00
1021104	1-3/8" 1000 RPM CV Drive	76	1,267.00
1021105	1-3/4" 1000 RPM CV Drive	76	1,427.00

SECTION 3: AXLE ARMS (MUST choose one)

Part No.	Description Note: Add'l wheels require Dual Hub Kit (section 6)	Add from Section 4	Shipping Wt. (lbs.)	Suggested List Price
1033925	Rigid Axle Arms: for use with all tires & wheels (single center spring)	4 wheels/tires	411	\$ 1,803.00
1033926	Spring-Loaded Axle Arms: for use with all tires & wheels	4 wheels/tires	556	3,171.00
1033927	Walking Tandem Spring-Loaded Axle Arms: for use with all tires & wheels	6 wheels/tires	706	4,020.00

SECTION 4: WHEELS AND TIRES (MUST choose one)

Part No.	Description	Shipping Wt. (lbs.)	Suggested List Price Ea.	Price x 4	Price x 6
1017088	15" Wheel Rims for Pneumatic Tires (dealer supplies tires)	18 ea.	\$ 64.00	\$ 256.00	\$ 384.00
1017040	21" O.D. Solid Laminated Tire & Wheel	62 ea.	319.00	1,276.00	1,914.00
1017030	29 x 9 x 15 Used Aircraft Tire & Rim	75 ea.	348.00	1,392.00	2,088.00
1017030F	29" O.D. Foam-Filled Used Aircraft Tire w/Wheel	156 ea.	472.00	1,888.00	2,832.00
1028820	24 x 7.25 x 12 5-Bolt Used Aircraft Tire	42 ea.	311.00	1,244.00	1,866.00
1028820F	24 x 7.25 x 12 5-Bolt Foam-Filled Used Aircraft Tire	77 ea.	355.00	1,420.00	2,130.00

SECTION 5: COMPLETING COMPONENTS / ASSEMBLY (MUST choose one)

Part No.	Description	Shipping Wt. (lbs.)	Suggested List Price
BW180XHDCRT	BW180XHD Dealer Assembled Completing Components	395	\$ 2,790.00
BW180XHDASM	BW180XHD Factory Assembled Completing Components	390	3,310.00

NOTE: Freight charge for factory assembled units (additional)

Net Price \$ 150.00

SECTION 6: OPTIONS AND ACCESSORIES

Part No.	Description	Ordering Information	Suggested List Price	Add/Deduct
1034273	Single Row Front Chain Shield	Included with Base Unit	\$ 999.00	—
1028150	Single Row Rear Chain Shield	Included with Base Unit	566.00	—
1027473	Front Rubber Belt Shield	Deduct 1034273	530.00	-469.00
1027474	Rear Rubber Belt Shield	Deduct 1028150	244.00	-322.00
1033903	Double Row Front Chain Shield	Deduct 1034273	1,285.00	+286.00
1033904	Double Row Rear Chain Shield	Deduct 1028150	734.00	+168.00
1033940	Swivel Clevis Tongue	Included with Base Unit	663.00	—
1033944	Pintle Ring Tongue	Deduct 1033940	791.00	+128.00
1017310	Dual Hub Kit (1 kit for center; 1 kit for wings)	Order 2 add'l wheels per kit	279.00	—
8326	Three-Spool Valve Kit	Requires 8329 bracket	705.00	—
8329	Fender Bracket	For Three-Spool Valve Kit	180.00	—
1019456	Cable Winch Kit		453.00	—
1003696	T-Hose Kit	Connects wing cylinders to one hose	76.00	—
1033930	Stalk Shredding Kit	N/A on units with deck rings	2,074.00	—
1034996	BW126XHD Weight Box Conversion Kit	Converts dual wing to single wing	2,277.00	—

SECTION 7: BLADE KITS

Refer to BW180X, Section 7, on page RC23 for Blade Kits.

ROTARY CUTTER

10.5-foot Extreme-Duty Batwing® – Model BW1260X

MUST CHOOSE ONE EACH FROM SECTIONS 1 – 4

Base Unit is fully assembled and includes wing and lift cylinders, hoses, stroke control kits and single row chain shielding.



FEATURES & SPECIFICATIONS:

- Recommended tractor horsepower requirement: 65 to 250 hp
- Smooth, sloped deck design; 7-gauge deck material thickness
- Category 5 heavy equal angle input or Category 6 constant velocity (CV) PTO drive; Category 5 wing drive
- Wing operating range: 90 degrees up / 22 degrees down
- Floating linkage on wing lift cylinder
- Side skirt thickness: 0.25-inch; Side frame depth: 13 inches
- Front and rear single row safety chain shielding standard
- Stump jumper: round
- Easy "Quick Change" blade pins
- Swivel clevis hitch
- Hinge pin: 1 inch full length
- Cutting height: 1 – 15 inches; Cutting width: 126 inches
- Cutting capacity: up to 4 inches diameter
- Overall width: 137 inches; Overall length: 197 – 207 inches
- Transport width: 100 inches (laminated wheels)
- Gearbox horsepower rating: Splitter = 250 hp; Spindle = 210 hp
- Blade size: 0.5 x 4-inches
- 16,000 fpm blade tip speed for 540/1000 rpm PTO
- 6-year limited gearbox warranty; 10-year deck rust-through warranty

WARNING: CHAIN SAFETY SHIELDING STANDARD EQUIPMENT. Chain safety shielding must be used for all non-agricultural uses and in areas where the possibility of thrown objects could be hazardous to persons or property.

SECTION 1: BASE UNIT (MUST choose one)

Model Selection	Part No.	PTO	Deck Rings	Right Wing	Left Wing	Shipping Wt. (lbs.)	Suggested List Price
BW1260XW	96320	540	No	Yes	No	4638	\$ 18,785.00
BW1260XRW	96322	540	Yes	Yes	No	4739	19,341.00
BW1260XLW	96321	540	No	No	Yes	4638	18,785.00
BW1260XRLW	96323	540	Yes	No	Yes	4739	19,341.00
BW1260XQW	96324	1000	No	Yes	No	4638	18,785.00
BW1260XQRW	96326	1000	Yes	Yes	No	4739	19,341.00
BW1260XQLW	96325	1000	No	No	Yes	4638	18,785.00
BW1260XQLW	96327	1000	Yes	No	Yes	4739	19,341.00

SECTION 2: PTO DRIVELINES (MUST choose one)

Part No.	Description	Shipping Wt. (lbs.)	Suggested List Price
1034993	1-3/8" 540 RPM Equal Angle Drive	102	\$ 1,444.00
1034994	1-3/8" 1000 RPM Equal Angle Drive	96	1,444.00
1021103	1-3/8" 540 RPM CV Drive	76	1,267.00
1021104	1-3/8" 1000 RPM CV Drive	76	1,267.00
1021105	1-3/4" 1000 RPM CV Drive	76	1,427.00

SECTION 3: AXLE ARMS (MUST choose one)

Part No.	Description Note: Add'l wheels require Dual Hub Kit (section 5)	Add from Section 4	Shipping Wt. (lbs.)	Suggested List Price
1034090	Right Offset Standard Rigid Axle Arms: for use with aircraft tires & wheels	5 wheels/tires	495	\$ 1,716.00
1034092	Right Offset Standard Spring-Loaded Axle Arms: for use with all tires & wheels	5 wheels/tires	TBD	2,928.00
1034094	Right Offset Standard Walking Tandem Spring-Loaded Axle Arms: for use with all tires & wheels	6 wheels/tires	869	3,635.00
1034091	Left Offset Standard Rigid Axle Arms: for use with aircraft tires & wheels	5 wheels/tires	TBD	1,716.00
1034093	Left Offset Standard Spring-Loaded Axle Arms: for use with all tires & wheels	5 wheels/tires	TBD	2,928.00
1034095	Left Offset Standard Walking Tandem Spring-Loaded Axle Arms: for use with all tires & wheels	6 wheels/tires	TBD	3,635.00

SECTION 4: WHEELS AND TIRES (MUST choose one)

Part No.	Description	Shipping Wt. (lbs.)	Suggested List Price Ea.	Price x 5	Price x 6
1017088	15" Wheel Rims for Pneumatic Tires (dealer supplies tires)	18 ea.	\$ 64.00	\$ 320.00	\$ 384.00
1017040	21" O.D. Solid Laminated Tire & Wheel	62 ea.	319.00	1,595.00	1,914.00
1017030	29 x 9 x 15 Used Aircraft Tire & Rim	75 ea.	348.00	1,740.00	2,088.00
1017030F	29" O.D. Foam-Filled Used Aircraft Tire w/Wheel	156 ea.	472.00	2,360.00	2,832.00
1028820	24 x 7.25 x 12 5-Bolt Used Aircraft Tire	42 ea.	311.00	1,555.00	1,866.00
1028820F	24 x 7.25 x 12 5-Bolt Foam-Filled Used Aircraft Tire	77 ea.	355.00	1,775.00	2,130.00

NOTE: Freight charge for factory assembled units (additional)

Net Price \$ 150.00

SECTION 5: OPTIONS AND ACCESSORIES

Part No.	Description	Ordering Information	Suggested List Price	Add/Deduct
1033920	Right Offset Single Row Chain Shield	Included with Base Unit	\$ 1,080.00	—
1033921	Left Offset Single Row Chain Shield	Included with Base Unit	1,080.00	—
1033922	Right Offset Double Row Chain Shield	Deduct 1033920	1,403.00	+323.00
1033923	Left Offset Double Row Chain Shield	Deduct 1033921	1,403.00	+323.00
1034070	Swivel Clevis Tongue	Included with Base Unit	690.00	—
1034071	Pintle Ring Tongue	Deduct 1034070	987.00	+297.00
1028801	Dual Hub Kit (for wing section)	Order 1 add'l wheel	176.00	—
1019456	Cable Winch Kit		453.00	—

SECTION 6: BLADE KITS

Part No.	Description	Blades Per Kit	Qty. Req'd	Shipping Wt. (lbs.)	Suggested List Price
19160KT	Standard Blade Kit (center or right wing), CCW	2	2 kits	28/kit	▲
19161KT	Standard Blade Kit (left wing), CW	2	1 kit	29/kit	▲
19162KT	Flat Double Edge Blade Kit (center and wing)	2	3 kits	27/kit	▲

ROTARY CUTTER

15-foot Extreme-Duty Batwing® – Model BW1800X

MUST CHOOSE ONE EACH FROM SECTIONS 1 – 5

Base Unit includes wing and lift cylinders, hoses, stroke control kits and single row chain shielding.



FEATURES & SPECIFICATIONS:

- Recommended tractor horsepower requirement: 65 to 250 hp
- Smooth, sloped deck design; 7-gauge deck material thickness
- Category 5 heavy equal angle input or Category 6 constant velocity (CV) PTO drive; Category 5 wing drives
- Wing operating range: 90 degrees up / 22 degrees down
- Floating linkage on wing lift cylinders
- Side skirt thickness: 0.25-inch; Side frame depth: 13 inches
- Front and rear single row safety chain shielding standard
- Easy “Quick Change” blade pins
- Swivel clevis hitch
- Wing hinge pin: 1 inch full length
- Cutting height: 2 – 15 inches; Cutting width: 180 inches
- Cutting capacity: up to 4 inches diameter
- Overall width: 189 inches; Overall length: 197 – 207 inches
- Transport width: 96 inches
- Gearbox horsepower rating: Splitter = 250 hp; Spindle = 210 hp
- Blade size: 0.5 x 4-inches
- 16,000 fpm blade tip speed for 540/1000 rpm PTO
- 6-year limited gearbox warranty; 10-year deck rust-through warranty

WARNING: CHAIN SAFETY SHIELDING STANDARD EQUIPMENT. Chain safety shielding must be used for all non-agricultural uses and in areas where the possibility of thrown objects could be hazardous to persons or property.

SECTION 1: BASE UNIT (MUST choose one)

Model Selection	Part No.	PTO	Deck Rings	Shipping Wt. (lbs.)	Suggested List Price
BW1800XW	96290	540	No	3800	\$ 18,157.00
BW1800XRW	96291	540	Yes	3950	19,536.00
BW1800XQW	96292	1000	No	3800	18,157.00
BW1800XQRW	96293	1000	Yes	3950	19,536.00

SECTION 2: PTO DRIVELINES (MUST choose one)

Part No.	Description	Shipping Wt. (lbs.)	Suggested List Price
1034993	1-3/8" 540 RPM Equal Angle Drive	102	\$ 1,444.00
1034994	1-3/8" 1000 RPM Equal Angle Drive	96	1,444.00
1021103	1-3/8" 540 RPM CV Drive	76	1,267.00
1021104	1-3/8" 1000 RPM CV Drive	76	1,267.00
1021105	1-3/4" 1000 RPM CV Drive	76	1,427.00

SECTION 3: AXLE ARMS (MUST choose one)

Part No.	Description Note: Add'l wheels require Dual Hub Kit (section 6)	Add from Section 4	Shipping Wt. (lbs.)	Suggested List Price
1034065	Rigid Axle Arms: for use with aircraft tires & wheels	6 wheels/tires	547	\$ 1,909.00
1034066	Spring-Loaded Axle Arms: for use with all tires & wheels	6 wheels/tires	708	3,320.00
1034067	Walking Tandem Spring-Loaded Axle on Ctr, Spring-Loaded Axle on Wings: for use with all tires & wheels	6 wheels/tires	829	4,063.00
1034068	Walking Tandem Spring-Loaded Axle on Center & Wings: for use with all tires & wheels	8 wheels/tires	981	4,911.00

SECTION 4: WHEELS AND TIRES (MUST choose one)

Part No.	Description	Shipping Wt. (lbs.)	Suggested List Price Ea.	Price x 6	Price x 8
1017088	15" Wheel Rims for Pneumatic Tires (dealer supplies tires)	18 ea.	\$ 64.00	\$ 384.00	\$ 512.00
1017040	21" O.D. Solid Laminated Tire & Wheel	62 ea.	319.00	1,914.00	2,552.00
1017030	29 x 9 x 15 Used Aircraft Tire & Rim	75 ea.	348.00	2,088.00	2,784.00
1017030F	29" O.D. Foam-Filled Used Aircraft Tire w/Wheel	156 ea.	472.00	2,832.00	3,776.00
1028820	24 x 7.25 x 12 5-Bolt Used Aircraft Tire	42 ea.	311.00	1,866.00	2,488.00
1028820F	24 x 7.25 x 12 5-Bolt Foam-Filled Used Aircraft Tire	77 ea.	355.00	2,130.00	2,840.00

SECTION 5: COMPLETING COMPONENTS / ASSEMBLY (MUST choose one)

Part No.	Description	Shipping Wt. (lbs.)	Suggested List Price
BW1800XCRT	BW1800X Dealer Assembled Completing Components	395	\$ 2,846.00
BW1800XASM	BW1800X Factory Assembled Completing Components	390	3,376.00

NOTE: Freight charge for factory assembled units (additional)

Net Price \$ 150.00

SECTION 6: OPTIONS AND ACCESSORIES

Part No.	Description	Ordering Information	Suggested List Price	Add/Deduct
1034273	Single Row Front Chain Shield	Included with Base Unit	\$ 999.00	—
1033902	Single Row Rear Chain Shield	Included with Base Unit	583.00	—
1033903	Double Row Front Chain Shield	Deduct 1034273	1,285.00	+286.00
1033905	Double Row Rear Chain Shield	Deduct 1033902	764.00	+181.00
1034070	Swivel Clevis Tongue	Included with Base Unit	690.00	—
1034071	Pintle Ring Tongue	Deduct 1034070	987.00	+297.00
1017310	Dual Hub Kit (1 kit for wings)	Order 2 add'l wheels per kit	279.00	—
8326	Three-Spool Valve Kit	Requires 8329 bracket	705.00	—
8329	Fender Bracket	For Three-Spool Valve Kit	180.00	—
1019456	Cable Winch Kit		453.00	—
1003696	T-Hose Kit	Connects wing cylinders to one hose	76.00	—
1033930	Stalk Shredding Kit	N/A on units with deck rings	2,074.00	—
1034997	BW1260X Weight Box Conversion Kit	Converts dual wing to single wing	2,817.00	—

SECTION 7: BLADE KITS

Refer to BW180X, Section 7, on page RC23 for Blade Kits.

ROTARY CUTTER

20-foot Standard-Duty Batwing® – Model BW240X

MUST CHOOSE ONE EACH FROM SECTIONS 1 - 5

Base Unit includes wing and lift cylinders, hoses, stroke control kits and single row chain shielding.



FEATURES & SPECIFICATIONS:

Recommended tractor horsepower:
70 – 200 hp

Smooth, sloped top, 10-gauge deck sheds water and debris

Category 5 heavy equal angle input or Category 6 constant velocity (CV) PTO drive

Category 4 wing drives with slip clutches

Wing operating range:
90 degrees up / 22 degrees down

Full length replaceable “bolt-on” formed side skids on wings

Front and rear chain safety shielding on wings and center section

Stump jumpers

Easy “Quick Change” blade pins

Cleanest deck in the industry

Fully baffled decks

Clevis hitch

Transport lock

Cutting capacity: 2 inches diameter

250 hp splitter gearbox,
120 hp spindle gearboxes

Blade tip speed:
15,450 fpm for 540 rpm PTO;
16,300 fpm for 1000 rpm PTO

6-year limited gearbox warranty

10-year deck rust-through warranty

WARNING: CHAIN SAFETY SHIELDING STANDARD EQUIPMENT. Chain safety shielding must be used for all non-agricultural uses and in areas where the possibility of thrown objects could be hazardous to persons or property.

SECTION 1: BASE UNIT (MUST choose one)

Model Selection	Part No.	PTO	Shipping Wt. (lbs.)	Suggested List Price
BW240XW	96335	540	4674	\$ 20,560.00
BW240XQW	96336	1000	4674	20,560.00

NOTE: 1000 rpm recommended for tractors over 100 HP.

SECTION 2: PTO DRIVELINES (MUST choose one)

Part No.	Description	Shipping Wt. (lbs.)	Suggested List Price
1035013	1-3/8" 540 RPM Equal Angle Drive	97	\$ 1,444.00
1021103	1-3/8" 540 RPM CV Drive	76	1,267.00
1021104	1-3/8" 1000 RPM CV Drive	76	1,267.00
1021105	1-3/4" 1000 RPM CV Drive	76	1,427.00

SECTION 3: AXLE ARMS (MUST choose one)

Part No.	Description Note: Add'l wheels require Dual Hub Kit (sec. 6)	Add from Section 4	Shipping Wt. (lbs.)	Suggested List Price
1027109	Spring-Loaded Axle Arms	6 wheels/tires	1535	\$ 6,983.00
1027109T	Walking Tandem Spring-Loaded Axle Arms	8 wheels/tires	1900	7,982.00

SECTION 4: WHEELS AND TIRES (MUST choose one)

Part No.	Description	Shipping Wt. (lbs.)	Suggested List Price Ea.	Price x 6	Price x 8
1017088	15" Wheel Rims for Pneumatic Tires (dealer supplies tires)	18 ea.	\$ 64.00	\$ 384.00	\$ 512.00
1017040	21" O.D. Solid Laminated Tire & Wheel	62 ea.	319.00	1,914.00	2,552.00
1017030	29 x 9 x 15 Used Aircraft Tire & Rim	75 ea.	348.00	2,088.00	2,784.00
1017030F	29" O.D. Foam-Filled Used Aircraft Tire w/Wheel	156 ea.	472.00	2,832.00	3,776.00
1028820	24 x 7.25 x 12 5-Bolt Used Aircraft Tire	42 ea.	311.00	1,866.00	2,488.00
1028820F	24 x 7.25 x 12 5-Bolt Foam-Filled Used Aircraft Tire	77 ea.	355.00	2,130.00	2,840.00

SECTION 5: ASSEMBLY (MUST choose one)

Part No.	Description	Shipping Wt. (lbs.)	Suggested List Price
BW240XCRT	BW240X Dealer Assembled	450	\$ 0.00
BW240XASM	BW240X Factory Assembled	445	600.00

NOTE: Freight charge for factory assembled units (additional)

Net Price \$ 225.00

SECTION 6: OPTIONS AND ACCESSORIES

Part No.	Description	Ordering Information	Suggested List Price	Add / Deduct
1027145	Single Row Front Chain Shield	Included with Base Unit	\$ 1,111.00	—
1027144	Single Row Rear Chain Shield	Included with Base Unit	775.00	—
1027179	Front Rubber Belt Shield	Deduct 1027145	628.00	-483.00
1027178	Rear Rubber Belt Shield	Deduct 1027144	590.00	-185.00
1027146	Double Row Front Chain Shield	Deduct 1027145	1,315.00	+204.00
1027147	Double Row Rear Chain Shield	Deduct 1027144	968.00	+193.00
1031395	Pintle Hitch Kit		549.00	—
1017310	Dual Hub Kit (1 kit for center; 1 kit for wings)	Order 2 add'l wheels per kit	279.00	—
8326	Three-Spool Valve Kit	Requires 8329 bracket	705.00	—
8329	Fender Bracket	For Three-Spool Valve Kit	180.00	—
1019456	Cable Winch Kit		453.00	—
1003696	T-Hose Kit	Connects wing cylinders to one hose	76.00	—

SECTION 7: BLADE KITS

Part No.	Description	Blades Per Kit	Qty. Req'd	Shipping Wt. (lbs.)	Suggested List Price
8825KT	Standard Blade Kit (center or right wing), CCW	2	2 kits	33/kit	▲
8820KT	Standard Blade Kit (left wing), CW	2	1 kit	33/kit	▲
8830KT	Flat Double Edge Blade Kit (center and wing)	2	3 kits	33/kit	▲
BW240BDKT	Complete Set of Standard Blades	6	1 kit	99/kit	▲

ROTARY CUTTER

20-foot Heavy-Duty Batwing® – Model BW240XHD

MUST CHOOSE ONE EACH FROM SECTIONS 1 – 5

Base Unit includes wing and lift cylinders, hoses, stroke control kits and single row chain shielding.



FEATURES & SPECIFICATIONS:

Recommended tractor horsepower:
70 – 300 hp

Smooth, sloped top, 10-gauge deck sheds water and debris

Category 5 heavy equal angle input or Category 6 constant velocity (CV) PTO drive

Category 4 wing drives with slip clutches

Wing operating range:
90 degrees up / 22 degrees down

Full length replaceable “bolt-on” formed side skids on wings

Front and rear chain safety shielding on wings and center section

Stump jumpers

Easy “Quick Change” blade pins

Cleanest deck in the industry

Fully baffled decks

Swivel clevis hitch

Transport lock

Cutting capacity: 3 inches diameter

250 hp splitter gearbox,
205 hp spindle gearboxes

Blade tip speed:

15,450 fpm for 540 rpm PTO;
16,300 fpm for 1000 rpm PTO

6-year limited gearbox warranty

10-year deck rust-through warranty

WARNING: CHAIN SAFETY SHIELDING STANDARD EQUIPMENT. Chain safety shielding must be used for all non-agricultural uses and in areas where the possibility of thrown objects could be hazardous to persons or property.

SECTION 1: BASE UNIT (MUST choose one)

Model Selection	Part No.	PTO	Shipping Wt. (lbs.)	Suggested List Price
BW240XHDW	96369	540	5105	\$ 22,470.00
BW240XHDQW	96370	1000	5105	22,470.00

NOTE: 1000 rpm recommended for tractors over 100 HP.

SECTION 2: PTO DRIVELINES (MUST choose one)

Part No.	Description	Shipping Wt. (lbs.)	Suggested List Price
1034993	1-3/8" 540 RPM Equal Angle Drive	102	\$ 1,444.00
1021103	1-3/8" 540 RPM CV Drive	76	1,267.00
1021104	1-3/8" 1000 RPM CV Drive	76	1,267.00
1021105	1-3/4" 1000 RPM CV Drive	76	1,427.00

SECTION 3: AXLE ARMS (MUST choose one)

Part No.	Description Note: Add'l wheels require Dual Hub Kit (sec. 6)	Add from Section 4	Shipping Wt. (lbs.)	Suggested List Price
1037950	Spring-Loaded Axle Arms	6 wheels/tires	1535	\$ 6,983.00
1037950T	Walking Tandem Spring-Loaded Axle Arms	8 wheels/tires	1900	7,982.00

SECTION 4: WHEELS AND TIRES (MUST choose one)

Part No.	Description	Shipping Wt. (lbs.)	Suggested List Price Ea.	Price x 6	Price x 8
1017088	15" Wheel Rims for Pneumatic Tires (dealer supplies tires)	18 ea.	\$ 64.00	\$ 384.00	\$ 512.00
1017040	21" O.D. Solid Laminated Tire & Wheel	62 ea.	319.00	1,914.00	2,552.00
1017030	29 x 9 x 15 Used Aircraft Tire & Rim	75 ea.	348.00	2,088.00	2,784.00
1017030F	29" O.D. Foam-Filled Used Aircraft Tire w/Wheel	156 ea.	472.00	2,832.00	3,776.00
1028820	24 x 7.25 x 12 5-Bolt Used Aircraft Tire	42 ea.	311.00	1,866.00	2,488.00
1028820F	24 x 7.25 x 12 5-Bolt Foam-Filled Used Aircraft Tire	77 ea.	355.00	2,130.00	2,840.00

SECTION 5: ASSEMBLY (MUST choose one)

Part No.	Description	Shipping Wt. (lbs.)	Suggested List Price
BW240XHDCRT	BW240XHD Dealer Assembled	450	\$ 0.00
BW240XHDASM	BW240XHD Factory Assembled	445	600.00

NOTE: Freight charge for factory assembled units (additional)

Net Price \$ 225.00

SECTION 6: OPTIONS AND ACCESSORIES

Part No.	Description	Ordering Information	Suggested List Price	Add/Deduct
1027145	Single Row Front Chain Shield	Included with Base Unit	\$ 1,111.00	—
1027144	Single Row Rear Chain Shield	Included with Base Unit	775.00	—
1027179	Front Rubber Belt Shield	Deduct 1027145	628.00	-483.00
1027178	Rear Rubber Belt Shield	Deduct 1027144	590.00	-185.00
1027146	Double Row Front Chain Shield	Deduct 1027145	1,315.00	+204.00
1027147	Double Row Rear Chain Shield	Deduct 1027144	968.00	+193.00
1031395	Pintle Hitch Kit		549.00	—
1017310	Dual Hub Kit (1 kit for center; 1 kit for wings)	Order 2 add'l wheels per kit	279.00	—
8326	Three-Spool Valve Kit	Requires 8329 bracket	705.00	—
8329	Fender Bracket	For Three-Spool Valve Kit	180.00	—
1019456	Cable Winch Kit		453.00	—
1003696	T-Hose Kit	Connects wing cylinders to one hose	76.00	—
1032966	Stalk Shredding Kit		2,246.00	—

SECTION 7: BLADE KITS

Refer to BW240, Section 7, on page RC28 for Blade Kits.

ROTARY CUTTER

13.5-foot Extreme-Duty Batwing® – Model BW1620X

MUST CHOOSE ONE EACH FROM SECTIONS 1 – 4

Base Unit is fully assembled and includes wing and lift cylinders, hoses, stroke control kits and single row chain shielding.



FEATURES & SPECIFICATIONS:

- Recommended tractor horsepower requirement: 70 to 300 hp
- Smooth, sloped deck design; (2) 10-gauge deck material thickness
- Category 5 heavy equal angle input or Category 6 constant velocity (CV) PTO drive; Category 5 wing drive
- Wing operating range: 90 degrees up / 22 degrees down
- Floating linkage on wing lift cylinder
- Side skirt thickness: 0.25-inch; Side frame depth: 12.5 inches
- Front and rear single row safety chain shielding standard
- Stump jumper: round
- Easy "Quick Change" blade pins
- Cleanest deck in the industry
- Fully baffled decks
- Swivel clevis hitch
- Hinge pin: 1 inch full length
- Cutting height: 2 – 15 inches; Cutting width: 162 inches
- Cutting capacity: up to 4 inches diameter
- Overall width: 169 inches; Overall length: 204 inches
- Transport width: 106 inches
- Gearbox horsepower rating: Splitter = 250 hp; Spindle = 210 hp
- Blade size: 0.5 x 4-inches
- Blade tip speed: 15,450 fpm for 540 rpm PTO; 16,650 fpm for 1000 rpm PTO
- 6-year limited gearbox warranty

WARNING: CHAIN SAFETY SHIELDING STANDARD EQUIPMENT. Chain safety shielding must be used for all non-agricultural uses and in areas where the possibility of thrown objects could be hazardous to persons or property.

SECTION 1: BASE UNIT (MUST choose one)

Model Selection	Part No.	PTO	Deck Rings	Right Wing	Left Wing	Shipping Wt. (lbs.)	Suggested List Price
BW1620XW	96343	540	No	Yes	No	7450	\$ 27,744.00
BW1620XRW	96345	540	Yes	Yes	No	7550	28,693.00
BW1620XLW	96344	540	No	No	Yes	7450	27,744.00
BW1620XRLW	96346	540	Yes	No	Yes	7550	28,693.00
BW1620XQW	96347	1000	No	Yes	No	7450	27,744.00
BW1620XQRW	96349	1000	Yes	Yes	No	7550	28,693.00
BW1620XQLW	96348	1000	No	No	Yes	7450	27,744.00
BW1620XQRLW	96350	1000	Yes	No	Yes	7550	28,693.00

NOTE: 1000 rpm recommended for tractors over 100 HP.

SECTION 2: PTO DRIVELINES (MUST choose one)

Part No.	Description	Shipping Wt. (lbs.)	Suggested List Price
1034993	1-3/8" 540 RPM Equal Angle Drive	102	\$ 1,444.00
1034994	1-3/8" 1000 RPM Equal Angle Drive	96	1,444.00
1021103	1-3/8" 540 RPM CV Drive	76	1,267.00
1021104	1-3/8" 1000 RPM CV Drive	76	1,267.00
1021105	1-3/4" 1000 RPM CV Drive	76	1,427.00

SECTION 3: AXLE ARMS (MUST choose one)

Part No.	Description Note: Add'l wheels require Dual Hub Kit (section 5)	Add from Section 4	Shipping Wt. (lbs.)	Suggested List Price
1027158	Right Offset Spring-Loaded Axle Arms	5 wheels/tires	467	\$ 2,300.00
1027292	Rt Offset Walking Tandem Spring-Loaded Axle Arms	6 wheels/tires	728	2,844.00
1027159	Left Offset Spring-Loaded Axle Arms	5 wheels/tires	467	2,300.00
1027293	Left Offset Walking Tandem Spring-Loaded Axle Arms	6 wheels/tires	728	2,844.00

SECTION 4: WHEELS AND TIRES (MUST choose one)

Part No.	Description	Shipping Wt. (lbs.)	Suggested List Price Ea.	Price x 5	Price x 6
1017088	15" Wheel Rims for Pneumatic Tires (dealer supplies tires)	18 ea.	\$ 64.00	\$ 320.00	\$ 384.00
1017040	21" O.D. Solid Laminated Tire & Wheel	62 ea.	319.00	1,595.00	1,914.00
1017030	29 x 9 x 15 Used Aircraft Tire & Rim	75 ea.	348.00	1,740.00	2,088.00
1017030F	29" O.D. Foam-Filled Used Aircraft Tire w/Wheel	156 ea.	472.00	2,360.00	2,832.00
1028820	24 x 7.25 x 12 5-Bolt Used Aircraft Tire	42 ea.	311.00	1,555.00	1,866.00
1028820F	24 x 7.25 x 12 5-Bolt Foam-Filled Used Aircraft Tire	77 ea.	355.00	1,775.00	2,130.00

NOTE: Freight charge for factory assembled units (additional)

Net Price \$ 225.00

SECTION 5: OPTIONS AND ACCESSORIES

Part No.	Description	Ordering Information	Suggested List Price	Add/Deduct
1027148	Right Offset Single Row Chain Shield	Included with Base Unit	\$ 1,227.00	—
1027149	Left Offset Single Row Chain Shield	Included with Base Unit	1,227.00	—
1029878	Right Offset Double Row Chain Shield	Deduct 1027148	1,652.00	+ 425.00
1029879	Left Offset Double Row Chain Shield	Deduct 1027149	1,652.00	+ 425.00
1019451	Pintle Hitch Kit		571.00	—
1028801	Dual Hub Kit (for wing section)	Order 1 add'l wheel	176.00	—
8326	Three-Spool Valve Kit	Requires 8329 bracket	705.00	—
8329	Fender Bracket	For Three-Spool Valve Kit	180.00	—
1019456	Cable Winch Kit		453.00	—
1003696	T-Hose Kit	Connects wing cylinders to one hose	76.00	—
1027151	Stalk Shredding Kit		2,357.00	—
BW1620QREV	Factory Installed Option to Reverse Blade Rotation on Center Section		603.00	—

SECTION 6: BLADE KITS

Part No.	Description	Blades Per Kit	Qty. Req'd	Shipping Wt. (lbs.)	Suggested List Price
8825KT	Standard Blade Kit (center or right wing), CCW	2	2 kits	33/kit	▲
8820KT	Standard Blade Kit (left wing), CW	2	1 kit	33/kit	▲
8830KT	Flat Double Edge Blade Kit (center and wing)	2	3 kits	33/kit	▲

ROTARY CUTTER

20-foot Extreme-Duty Batwing® – Model BW2400X

MUST CHOOSE ONE EACH FROM SECTIONS 1 – 5

Base Unit includes wing and lift cylinders, hoses, stroke control kits and single row chain shielding.



FEATURES & SPECIFICATIONS:

Recommended tractor horsepower requirement: 70 to 300 hp

Smooth, sloped deck design;
(2) 10-gauge deck material thickness

Category 5 heavy equal angle input or Category 6 constant velocity (CV) PTO drive; Category 5 wing drives

Wing operating range:
90 degrees up / 22 degrees down

Floating linkage on wing lift cylinders

Side skirt thickness: 0.25-inch;
Side frame depth: 12.5 inches

Front and rear single row safety chain shielding standard

Easy "Quick Change" blade pins

Cleanest deck in the industry

Fully baffled decks

Swivel clevis hitch

Wing hinge pin: 1 inch full length

Cutting height: 2 – 15 inches;
Cutting width: 240 inches

Cutting capacity: up to 4 inches diameter

Overall width: 247 inches;
Overall length: 204 inches

Transport width: 120 inches

Gearbox horsepower rating:
Splitter = 250 hp; Spindle = 210 hp

Blade size: 0.5 x 4-inches

Blade tip speed:
15,450 fpm for 540 rpm PTO;
16,650 fpm for 1000 rpm PTO

6-year limited gearbox warranty

WARNING: CHAIN SAFETY SHIELDING STANDARD EQUIPMENT. Chain safety shielding must be used for all non-agricultural uses and in areas where the possibility of thrown objects could be hazardous to persons or property.

SECTION 1: BASE UNIT (MUST choose one)

Model Selection	Part No.	PTO	Deck Rings	Shipping Wt. (lbs.)	Suggested List Price
BW2400XW	96339	540	No	5960	\$ 29,015.00
BW2400XRW	96340	540	Yes	6110	30,484.00
BW2400XQW	96341	1000	No	5960	29,015.00
BW2400XQRW	96342	1000	Yes	6110	30,484.00

NOTE: 1000 rpm recommended for tractors over 100 HP.

SECTION 2: PTO DRIVELINES (MUST choose one)

Part No.	Description	Shipping Wt. (lbs.)	Suggested List Price
1034993	1-3/8" 540 RPM Equal Angle Drive	102	\$ 1,444.00
1034994	1-3/8" 1000 RPM Equal Angle Drive	96	1,444.00
1021103	1-3/8" 540 RPM CV Drive	76	1,267.00
1021104	1-3/8" 1000 RPM CV Drive	76	1,267.00
1021105	1-3/4" 1000 RPM CV Drive	76	1,427.00

SECTION 3: AXLE ARMS (MUST choose one)

Part No.	Description Note: Add'l wheels require Dual Hub Kit (sec. 6)	Add from Section 4	Shipping Wt. (lbs.)	Suggested List Price
1027114	Spring-Loaded Axle Arms	6 wheels/tires	1616	\$ 10,227.00
1027114T	Walking Tandem Spring-Loaded Axle Arms	8 wheels/tires	2000	11,577.00

SECTION 4: WHEELS AND TIRES (MUST choose one)

Part No.	Description	Shipping Wt. (lbs.)	Suggested List Price Ea.	Price x 6	Price x 8
1017088	15" Wheel Rims for Pneumatic Tires (dealer supplies tires)	18 ea.	\$ 64.00	\$ 384.00	\$ 512.00
1017040	21" O.D. Solid Laminated Tire & Wheel	62 ea.	319.00	1,914.00	2,552.00
1017030	29 x 9 x 15 Used Aircraft Tire & Rim	75 ea.	348.00	2,088.00	2,784.00
1017030F	29" O.D. Foam-Filled Used Aircraft Tire w/Wheel	156 ea.	472.00	2,832.00	3,776.00
1028820	24 x 7.25 x 12 5-Bolt Used Aircraft Tire	42 ea.	311.00	1,866.00	2,488.00
1028820F	24 x 7.25 x 12 5-Bolt Foam-Filled Used Aircraft Tire	77 ea.	355.00	2,130.00	2,840.00

SECTION 5: ASSEMBLY (MUST choose one)

Part No.	Description	Shipping Wt. (lbs.)	Suggested List Price
BW2400XCRT	BW2400X Dealer Assembled	450	\$ 0.00
BW2400XASM	BW2400X Factory Assembled	445	618.00

NOTE: Freight charge for factory assembled units (additional)

Net Price \$ 225.00

SECTION 6: OPTIONS AND ACCESSORIES

Part No.	Description	Ordering Information	Suggested List Price	Add/Deduct
1027145	Single Row Front Chain Shield	Included with Base Unit	\$ 1,111.00	—
1027144	Single Row Rear Chain Shield	Included with Base Unit	775.00	—
1027179	Front Rubber Belt Shield	Deduct 1027145	628.00	-483.00
1027178	Rear Rubber Belt Shield	Deduct 1027144	590.00	-185.00
1027146	Double Row Front Chain Shield	Deduct 1027145	1,315.00	+204.00
1027147	Double Row Rear Chain Shield	Deduct 1027144	968.00	+193.00
1019451	Pintle Hitch Kit		571.00	—
1017310	Dual Hub Kit (1 kit for center; 1 kit for wings)	Order 2 add'l wheels per kit	279.00	—
8326	Three-Spool Valve Kit	Requires 8329 bracket	705.00	—
8329	Fender Bracket	For Three-Spool Valve Kit	180.00	—
1019456	Cable Winch Kit		453.00	—
1003696	T-Hose Kit	Connects wing cylinders to one hose	76.00	—
1027151	Stalk Shredding Kit	N/A on units with deck rings	2,357.00	—

SECTION 7: BLADE KITS

Refer to BW240, Section 7, on page RC28 for Blade Kits.

RC-SERIES ROTARY CUTTER

3.5-, 4-, 5- and 6-foot Single-Spindle – Models RC3.5, RC4, RC5 & RC6

FEATURES:

- Tractor 3-Point Hitch Size: Category 1 (all models);
Category 1 quick-hitch ready (all models)
- Tractor PTO Speed: 540 rpm (all models)
- Tractor PTO Horsepower Requirement: 15 – 40 PTO hp (RC3.5 & RC4);
20 – 50 PTO hp (RC5 & RC6)
- Frame Design: Contoured (all models)
- PTO Driveline Size:
Category 3 with shear pin or slip clutch protection (all models)
- Thrown Object Protection (all models):
† Rear steel band deflector and front rubber belt deflector – standard;
Front and rear chain shielding – optional
- Cutting Capacity: 1-inch diameter (all models)
- Gearbox Rating: 50 hp (all models)
- Gearbox Warranty: 3-year
- Blade Tip Speed: 11,460 fpm (RC3.5); 13,100 fpm (RC4);
13,620 fpm (RC5); 14,340 fpm (RC6)
- Tail Wheel: 4-inch x 16-inch laminated tire with 360° rotation (all models)
- Blade Size: 1/2-inch x 3-inch (all models)
- Color Options: To match most tractor colors (see below)



WARNING: STANDARD FRONT RUBBER AND REAR STEEL BAND DEFLECTOR SHIELD OR OPTIONAL CHAIN SHIELDING must be used for all non-agricultural uses and in areas where possibility of thrown objects could be hazardous to persons or property.

See “Match Your Tractor” terms and conditions for ordering criteria, page RC3.

5% ADDITIONAL DISCOUNT ON FIVE (5) PACKS** AS DEFINED BELOW.

10% ADDITIONAL DISCOUNT ON TRUCKLOAD QUANTITY*** AS DEFINED BELOW.

Model No.	Width (ft.)	Drive	Woods® Orange Part No.	Green ¹ Part No.*	Orange ² Part No.*	Red ³ Part No.*	Vibrant Blue ⁴ Part No.*	Shipping Wt. (lbs.)	Suggested List Price Per Unit **	5 Pack List Price Per Unit **	Truckload List Price Per Unit ***
RC3.5	3.5	Shear Pin	1038343	1038343JD	1038343KO	1038343R	1038343VB	360	\$ 1,485.00	\$ 1,411.00	\$ 1,337.00
RC3.5	3.5	Slip Clutch	1038343C	1038343CJD	1038343CKO	1038343CR	1038343CVB	360	1,660.00	1,577.00	1,494.00
RC4	4	Shear Pin	1038344	1038344JD	1038344KO	1038344R	1038344VB	400	1,540.00	1,463.00	1,386.00
RC4	4	Slip Clutch	1038344C	1038344CJD	1038344CKO	1038344CR	1038344CVB	400	1,715.00	1,630.00	1,544.00
RC5	5	Shear Pin	1038345	1038345JD	1038345KO	1038345R	1038345VB	480	1,644.00	1,562.00	1,480.00
RC5	5	Slip Clutch	1038345C	1038345CJD	1038345CKO	1038345CR	1038345CVB	480	1,819.00	1,729.00	1,638.00
RC6	6	Shear Pin	1038346	1038346JD	1038346KO	1038346R	1038346VB	520	1,975.00	1,877.00	1,778.00
RC6	6	Slip Clutch	1038346C	1038346CJD	1038346CKO	1038346CR	1038346CVB	520	2,150.00	2,043.00	1,935.00

* Painted colors to match ¹ Green, ² Orange, ³ Red and ⁴ Blue tractors.

** Five (5) packs **MUST** be five (5) of the same size and color model; pricing reflects 5% discount with rounding.
Note: Add “A” to the end of the part number if not ordering in five (5) pack quantities.

*** Truckload quantity is 40 units consisting of eight (8) five (5) packs; pricing reflects 10% discount with rounding.

† **NOTE:** All units are shipped with rear metal band and front rubber belt deflector shields. These are NON-RETURNABLE items.

Terms and Conditions, Accessories and Blade Kits on following page.

RC-SERIES ROTARY CUTTER**3.5-, 4-, 5- and 6-foot Single-Spindle – Models RC3.5, RC4, RC5 & RC6 (Continued)****ACCESSORIES**

Part No.	Used On	Description	Shipping Wt. (lbs.)	Suggested List Price
1037925	RC3.5	Front and Rear Chain Shielding	27	\$ 325.00
1037926	RC4	Front and Rear Chain Shielding	31	350.00
1037927	RC5	Front and Rear Chain Shielding	36	375.00
1037928	RC6	Front and Rear Chain Shielding	43	400.00
1023325	All Models	TQH1 Category 1 Quick Hitch	75	355.00
1038335	All Models	Optional Bolt-On Skid Shoes	4	65.00

REPLACEMENT BLADE KITS (2 blades per kit)

1037893KT	RC3.5 & RC4	Suction-type, general purpose blades	13	▲
1037892KT	RC5	Suction-type, general purpose blades	17	▲
57189KT	RC6	Suction-type, general purpose blades	23	▲

RC-Series cutters, as listed on page RC2, are available in the tractor colors listed on those pages.

“MATCH YOUR TRACTOR” TERMS & CONDITIONS

1. “Match Your Tractor” RC3.5, RC4, RC5 & RC6 models are built to order, requiring lead times that may vary.
2. “Match Your Tractor” orders are non-cancellable. Units and their accessories may not be returned.
3. Changes to existing orders must have the Dealer Service Supervisor’s approval.
4. Repair parts are not available in “Match Your Tractor” (including Woods orange units).

BRUSHBULL™ STANDARD-DUTY SERIES

4-, 5-, 6- and 7-foot Single-Spindle – Models BB48X, BB60X, BB72X & BB84X

FEATURES:

Category 1, 3-point hitch, 540 rpm (BB48X, BB60X & BB72X Cat. 1; BB84X Cat. 1 & 2)	Stump jumper
ASAE Quick Hitch compatible	Cutting capacity: 2 inches diameter
Heavy-duty clevis hitch	Blade tip speed: 13,000 fpm (BB48X); 14,355 fpm (BB60X); 14,963 fpm (BB72X); 15,086 fpm (BB84X)
“Quick Change” blade pins standard ◀ EXCLUSIVE FEATURE	Gearbox horsepower rating: 65 hp (BB48X & BB60X); 75 hp (BB72X), 90 hp (BB84X)
Contoured frame design	Rear metal band deflector safety shield
2-inch round tube bumper/rear frame ◀ EXCLUSIVE FEATURE	Front rubber belt shield
Two 3-inch x 4-inch full length ◀ EXCLUSIVE FEATURE structural tubes	360-degree swivel tail wheel with laminated tire
Full length side skids	Limited warranty: 6-year Gearbox; 1-year Product
Safety shielded Category 3 driveline (BB48X, BB60X & BB72X); Category 4 driveline (BB84X)	
Slip clutch or shear pin protection (BB48X & BB60X); slip clutch protection (BB72X & BB84X)	



WARNING: STANDARD REAR METAL BAND DEFLECTOR SHIELD AND FRONT RUBBER DEFLECTOR SHIELD OR OPTIONAL CHAIN SHIELDING must be used for all non-agricultural uses and in areas where possibility of thrown objects could be hazardous to persons or property.

See “Match Your Tractor” terms and conditions for ordering criteria, page RC5.

Model No.	Width (ft.)	Drive	Tractor HP	Woods® Orange Part No.	Orange ¹ Part No.*	Green ² Part No.*	Blue ³ Part No.*	Red ⁴ Part No.*	Shipping Wt. (lbs.)	Suggested List Price
BB48X	4	Shear Pin	up to 50	1024641	1024641KO	1024641JD	1024641VB	1024641R	498	\$ 2,002.00
BB48X-C	4	Clutch	up to 50	1024641C	1024641CKO	1024641CJD	1024641CVB	1024641CR	523	2,192.00
BB60X	5	Shear Pin	up to 50	1024642	1024642KO	1024642JD	1024642VB	1024642R	604	2,375.00
BB60X-C	5	Clutch	up to 50	1024642C	1024642CKO	1024642CJD	1024642CVB	1024642CR	612	2,571.00
BB72X	6	Clutch	up to 65	1024643	1024643KO	1024643JD	1024643VB	1024643R	820	3,047.00
BB84X	7	Clutch	up to 90	1023066	1023066KO	1023066JD	–	1023066R	1084	4,449.00

* Painted colors to match ¹ Orange, ² Green, ³ Blue and ⁴ Red tractors.

NOTE: All units are shipped with rear metal band and front rubber belt deflector shields. These are NON-RETURNABLE items.

MODIFICATIONS

Code	Used On	Description	Add
D	BB84X	For Dual Tail Wheel for BB84X, add “D” to model number.	\$ 481.00
W	All Models	For Chain Shielding for all models, add “W” to model number – see Accessories on next page for price increase.	

Terms and Conditions, Accessories and Blade Kits on following page.

BRUSHBULL™ STANDARD-DUTY SERIES

4-, 5-, 6- and 7-foot Single-Spindle – Models BB48X, BB60X, BB72X & BB84X (Cont.)

ACCESSORIES

Part No.	Used On	Description	Shipping Wt. (lbs.)	Suggested List Price
57161	48/BB48X	Front and Rear Chain Shield Assembly	80	\$ 408.00
57193	60/BB60X	Front and Rear Chain Shield Assembly	100	457.00
57221	72/BB72X	Front and Rear Chain Shield Assembly	114	529.00
1023046	84/BB84X	Front and Rear Chain Shield Assembly	147	582.00
1002044	48 & 60	Drive Assembly with Slip Clutch (field-installed)	33	400.00
10521	All	Check Chain: for mowing height adjustment	17	110.00
1023325	All	TQH1 Category 1 Quick Hitch	75	355.00
1027549	BB48X, BB60X, BB72X & BB84X	Bushing Kit for Quick Hitch (Extreme models)	2	120.00
1028790	BB72X	Category 2 Bushing Kit (fits category 2, 3-pt. with category 1 spacing, does not fit category 2 quick hitch)	2	39.00
1013207	48/BB48X	Front Rubber Deflector Shield Kit	7	▲
1013208	60/BB60X	Front Rubber Deflector Shield Kit	9	▲
1013209	72/BB72X	Front Rubber Deflector Shield Kit	12	▲
1023042	84/BB84X	Front Rubber Deflector Shield Kit	12	▲
1030530	BB84X	Dual Tail Wheel with 16" Laminated Tires	216	936.00

REPLACEMENT BLADE KITS (2 blades per kit)

30310KT	48X	Suction-type, general purpose blades	10	▲
1037892KT	60X	Suction-type, general purpose blades	20	▲
57189KT	72X & 84X	Suction-type, general purpose blades	23	▲

BrushBull Extreme standard-duty cutters and BrushBull Extreme medium-duty cutters, as listed on pages RC4 and RC6, are available in the tractor colors listed on those pages.

“MATCH YOUR TRACTOR” TERMS & CONDITIONS

1. Product availability in most cases will be 30 to 60 days and sometimes less.
2. “Match Your Tractor” BrushBulls are built to order, requiring lead times that may vary.
3. “Match Your Tractor” orders are non-cancellable. Units and their accessories may not be returned.
4. Changes to existing orders must have the Dealer Service Supervisor’s approval.
5. Repair parts are only available in Woods® orange and all chain shield brackets are black (including Woods orange units).

BRUSHBULL™ MEDIUM-DUTY SERIES

5-, 6- and 7-foot Single-Spindle – Models BB600X, BB720X & BB840X

FEATURES:

Category 1 or 2, 3-point hitch, 540 rpm or 1000 rpm (BB840XQ)

ASAE Quick Hitch compatible

Heavy-duty clevis hitch

“Quick Change” blade pins standard ◀ **EXCLUSIVE FEATURE**

Contoured frame design

2-inch round tube bumper/rear frame ◀ **EXCLUSIVE FEATURE**

Two 3-inch x 4-inch full length ◀ **EXCLUSIVE FEATURE** structural tubes

Full length replaceable “bolt-on” side skirts

2-plate slip clutch protection – Category 4 safety shielded drive

Stump jumper

Cutting capacity: 3 inches diameter

Blade tip speed:

15,525 fpm (BB600);

15,900 fpm (BB720);

16,000 fpm (BB840);

16,300 fpm (BB840Q)

Gearbox horsepower rating: 120 hp

Rear deflector safety shield

360-degree swivel tail wheel with laminated tire

6-year limited gearbox warranty

Standard convertible baffling to match conditions



WARNING: STANDARD FRONT RUBBER AND REAR METAL BAND DEFLECTOR SHIELD OR OPTIONAL CHAIN SHIELDING must be used for all non-agricultural uses and in areas where possibility of thrown objects could be hazardous to persons or property.

See “Match Your Tractor” terms and conditions for ordering criteria, page RC5.

Model No.	Width (ft.)	Drive	Tractor HP	Woods® Orange Part No.	Orange ¹ Part No.*	Green ² Part No.*	Blue ³ Part No.*	Red ⁴ Part No.*	Shipping Wt. (lbs.)	Suggested List Price
BB600X	5	Clutch	up to 120	1024644	1024644KO	1024644JD	1024644VB	1024644R	1092	\$ 3,802.00
BB720X	6	Clutch	up to 120	1024645	1024645KO	1024645JD	1024645VB	1024645R	1212	4,259.00
BB840X	7	Clutch	up to 120	1023069	–	1023069JD	–	–	1432	5,567.00
BB840XQ	7	Clutch	up to 120	1023069Q	–	–	–	–	1432	5,836.00

* Painted colors to match ¹ Orange, ² Green, ³ Blue and ⁴ Red tractors.

NOTE: All units are shipped with standard rear metal band deflector and front belt deflector shields. These are NON-RETURNABLE items.

MODIFICATIONS

Code	Used On	Description	Add Wt.	Add
D	720 & 840	For Dual Tail Wheel for 720 & 840, add “D” to model number.	106	\$ 481.00
W	All Models	For Chain Shielding for all models, add “W” to model number – see Accessories below for price increase.		

ACCESSORIES

Part No.	Used On	Description	Shipping Wt. (lbs.)	Suggested List Price
57193	BB600X	Front and Rear Chain Shield Assembly	100	\$ 457.00
57221	BB720X	Front and Rear Chain Shield Assembly	114	529.00
1023046	BB840X/XQ	Front and Rear Chain Shield Assembly	147	582.00
57100	BB720X & BB840X/XQ	Dual Tail Wheel with 16” Laminated Tires	216	936.00
1023325	All	TQH1 Category 1 Quick Hitch	75	355.00
1027549	All	Bushing Kit for Quick Hitch (Extreme models)	2	120.00
10521	All	Check Chain: for mowing height adjustment	17	110.00
8811	All	Crossbar Puller	49	▲
1013208	BB600X	Front Rubber Deflector Shield Kit	9	▲
1013209	BB720X	Front Rubber Deflector Shield Kit	12	▲
1013210	BB840X/XQ	Front Rubber Deflector Shield Kit	12	▲

REPLACEMENT BLADE KITS (2 blades per kit)

57099KT	BB600X	Suction-type, general purpose blades	21	▲
1003675KT	BB600X	Double-edge flat blades	21	▲
19160KT	BB720X & BB840X/XQ	Suction-type, general purpose blades	28	▲
19162KT	BB720X & BB840X/XQ	Double-edge flat blades	27	▲

BRUSHBULL™ MEDIUM-DUTY SERIES

7-foot Single-Spindle – Model BB840X-P Pull-Type

FEATURES:

- Contoured frame design
- 2-inch round tube rear frame ◀ **EXCLUSIVE FEATURE**
- Two 3-inch x 4-inch full length structural tubes ◀ **EXCLUSIVE FEATURE**
- Full length replaceable “bolt-on” side skirts
- Safety shielded Category 4 driveline with slip clutch protection
- Standard stump jumper
- Easy “Quick Change” blade pins ◀ **EXCLUSIVE FEATURE**
- Cutting capacity: 3 inches diameter
- 120 hp gearbox with 16,000 fpm blade tip speed
- Standard rear deflector safety shield and front rubber deflector
- 6-year limited gearbox warranty
- Standard convertible baffling to match conditions



WARNING: STANDARD FRONT RUBBER AND REAR METAL BAND DEFLECTOR SHIELD OR OPTIONAL CHAIN SHIELDING must be used for all non-agricultural uses and in areas where possibility of thrown objects could be hazardous to persons or property.

Part No.	Model No.	Description	Shipping Wt. (lbs.)	Suggested List Price
96042	BB840X-P	7' pull-type hitch, 1-3/8", 540 rpm PTO, Category 4 slip clutch drive, equal angle input drive for tractors up to 120 hp. Parking jack. Order choice of wheels and hydraulic height adjustment from Accessories below.	1720	\$ 8,101.00

NOTE: All units are shipped with standard front and rear deflector shields which are **NON-RETURNABLE** items.

SPECIFY WHEEL OPTION

(Select two rims or two wheel & tire assemblies – for pull-type BB840X-P)

Part No.	Used On	Description	Shipping Wt. (lbs.)	Suggested List Price Ea.	Suggested List Price x 2
1017088	BB840X-P	15" Wheel Rims for Pneumatic Tires: dealer supplies tires (2 required).	18 ea.	\$ 64.00	\$ 128.00
1017040	BB840X-P	21" O.D. Solid Laminated Tire & Wheel: (2 required).	62 ea.	319.00	638.00
1028820	BB840X-P	24 x 7.25 x 12 5-Bolt Used Aircraft Tire (2 required).	42 ea.	311.00	622.00
1028820F	BB840X-P	24 x 7.25 x 12 5-Bolt Foam-Filled Used Aircraft Tire (2 required).	77 ea.	355.00	710.00
1017030	BB840X-P	Used Aircraft Tire and Rim, 29 x 9 x 15 (2 required).	75 ea.	348.00	696.00
1017030F	BB840X-P	29" O.D. Foam-Filled Used Aircraft Tire with Wheel (2 required).	156 ea.	472.00	944.00

MODIFICATIONS

Code	Used On	Description
W	840X-P	For Chain Shielding, add "W" to model number – see Accessories below for price increase.

ACCESSORIES

Part No.	Description	Shipping Wt. (lbs.)	Suggested List Price
1023046	Front and Rear Chain Shield Assembly	147	\$ 582.00
29547	Hydraulic Lift Cylinder, Single Acting	25	243.00
9382	Hose Kit for 29547 Cylinder	3	100.00
24098	Stroke Control Spacers	15	42.00
1017310	Dual Hub Assembly Kit for 4 Wheel Unit (Order 2 additional wheels)	30	279.00
23650	Manual Height Adjustment, Ratchet-Type	15	170.00
8811	Crossbar Puller	49	▲
1023042	Front Rubber Deflector Shield Kit	12	▲

REPLACEMENT BLADE KITS (2 blades per kit)

Part No.	Used On	Description	Shipping Wt. (lbs.)	Suggested List Price
19160KT	840X-P	Suction-type, general purpose blades	28	▲
19162KT	840X-P	Double-edge flat blades	27	▲

BRUSHBULL™ HEAVY-DUTY SERIES

5-, 6- and 7-foot Single-Spindle – Models BB6000X, BB7200X & BB8400X

FEATURES:

- Contoured frame design
- 2-inch round tube rear frame ◀ **EXCLUSIVE FEATURE**
- Two 3-inch x 4-inch full length structural tubes ◀ **EXCLUSIVE FEATURE**
- Full length replaceable “bolt-on” side skids
- Safety shielded Category 5 driveline
- Clevis hitch
- 4-plate slip clutch protection
- Easy “Quick Change” blade pins ◀ **EXCLUSIVE FEATURE**
- Standard stump jumper & deck ring
- Cutting capacity: 4 inches diameter
- Gearbox hp and Blade tip speed:
150 hp with 13,575 fpm (BB6000X);
150 hp with 13,950 fpm (BB7200X);
200 hp with 14,250 fpm (BB8400X)
- Standard rear deflector safety shield and front rubber deflector
- Optional baffle
- 360-degree swivel tail wheel with laminate tire
- 6-year limited gearbox warranty



WARNING: STANDARD FRONT RUBBER AND REAR METAL BAND DEFLECTOR SHIELD OR OPTIONAL CHAIN SHIELDING must be used for all non-agricultural uses and in areas where possibility of thrown objects could be hazardous to persons or property.

Part No.	Model No.	Description	Shipping Wt. (lbs.)	Suggested List Price
1023070	BB6000X	5' Category 1 & 2, 3-point hitch, laminated tail wheel, 1-3/8", 540 rpm PTO for tractors up to 150 hp. Category 5 slip clutch drive.	1300	\$ 5,624.00
1023071	BB7200X	6' Category 1 & 2, 3-point hitch, laminated tail wheel, 1-3/8", 540 rpm PTO for tractors up to 150 hp. Category 5 slip clutch drive.	1500	6,793.00
1023071D	BB7200X-D	Same as 7200 above, except with dual tail wheel.	1605	7,275.00
1023072	BB8400X	7' Category 2 & 3, 3-point hitch, laminated tail wheel, 1-3/8", 540 rpm PTO for tractors up to 200 hp. Category 5 slip clutch drive.	1790	8,857.00
1023072D	BB8400X-D	Same as 8400 above, except with dual tail wheel.	1895	9,339.00

NOTE: All units are shipped with standard rear metal deflector shields and front belt deflector shields which are **NON-RETURNABLE** items.

MODIFICATIONS

Code	Used On	Description
W	All Models	For Chain Shielding for all models, add “W” to model number – see Accessories below for price increase.

ACCESSORIES

Part No.	Used On *	Description	Shipping Wt. (lbs.)	Suggested List Price
57193	BB6000X	Front and Rear Chain Shield Assembly – 5'	100	\$ 457.00
57221	BB7200X	Front and Rear Chain Shield Assembly – 6'	114	529.00
1023046	BB8400X	Front and Rear Chain Shield Assembly – 7'	147	582.00
1019865	BB6000X	Deck Baffle Kit – 5'	16	124.00
1019866	BB7200X	Deck Baffle Kit – 6'	19	124.00
1019867	BB8400X	Deck Baffle Kit – 7'	21	124.00
57100	BB7200X & BB8400X	Dual Tail Wheel with 16" Laminated Tires	216	936.00
10521	All	Check Chain: for mowing height adjustment	17	110.00
8811	All	Crossbar Puller	49	▲
1013208	BB6000X	Front Rubber Deflector Shield Kit	9	▲
1013209	BB7200X	Front Rubber Deflector Shield Kit	12	▲
1023042	BB8400X	Front Rubber Deflector Shield Kit	12	▲

* Where “X” is shown, items only fit Extreme models.

REPLACEMENT BLADE KITS (2 blades per kit)

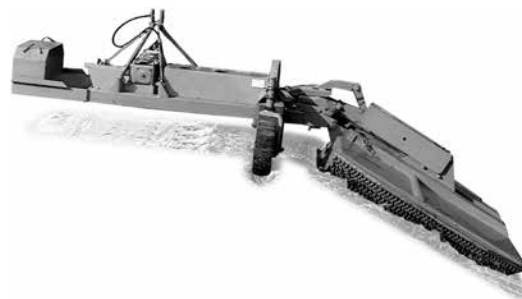
57099KT	BB6000X	Suction-type, general purpose blades	21	▲
1003675KT	BB6000X	Double-edge flat blades	21	▲
19160KT	BB7200X & BB8400X	Suction-type, general purpose blades	28	▲
19162KT	BB7200X & BB8400X	Double-edge flat blades	27	▲

MECHANICAL DRIVE DITCH BANK ROTARY CUTTER

5- and 6-foot – Models S105 & S106

FEATURES:

Safety shielded Category 4 PTO driveline	Standard stump jumper
Slip clutch shock protection	Easy "Quick Change" blade pins EXCLUSIVE FEATURE
Standard front and rear safety chain shielding	Cutting capacity: 2 inches diameter
Shear pin in side drive	90 hp gearbox
Hydraulic cylinder for controlling mower head	Blade tip speed:
Two 4.00 x 8 wheels with laminated tires	11,450/14,140 fpm with 540/1000 rpm PTO (S105);
Cutter head travel: 75° up/78° down	10,260/12,570 fpm with 540/1000 rpm PTO (S106)
	1-year limited gearbox warranty



WARNING: SAFETY CHAIN SHIELDING STANDARD EQUIPMENT. Must be used for all non-agricultural uses and in areas where the possibility of thrown objects could be hazardous to persons or property.

Part No.	Model No.	Description	Shipping Wt. (lbs.)	Suggested List Price
96250	S105W	Side Mounted Single-Spindle, 5' Swath for Cat 2, 3-pt. hitch, 1-3/8", 540 rpm PTO tractors with 4000 lb. minimum weight and 2500 lb. lift capacity (blades included). (See Notes A & B.)	1391	\$ 10,491.00
96246	S106W	Side Mounted, Single-Spindle, 6' Swath for Cat 2, 3-pt. hitch, 1-3/8", 540 rpm PTO tractors with 5000 lb. minimum weight and 3000 lb. lift capacity (blades included). (See Notes A & B.)	1615	11,162.00

NOTE A: If drive is too long & "bottoms" on tractor, cut equal amounts off both the tubular drive & square shaft, up to a maximum of 2-1/2 inches off each.

NOTE B: Counterweight is recommended on all models but **MUST BE USED** if tractor does not meet minimum weight requirements; order from Accessories.

Ford Tractors: To attach Woods valve to Ford® models 2000, 3000, 4000 & 5000 (not for 6000) which do not have remote cylinder control valve, order valve cover #20580 from Accessories for installation on rock shaft housing in place of Ford valve cover. Not required on later 5000 Ford tractors. For later 5000 Ford tractors, order Ford adaptor kit, their #311891.

MODIFICATIONS

Code	Used On	Description	Add Wt.	Add
DL	All Models	6" Longer Drive add "DL" to model number. (Use if horizontal distance from end of PTO to hitch points is greater than 24".)	6	\$ 21.00
Q	All Models	1000 rpm PTO add "Q" to model number.	0	41.00

ACCESSORIES

Part No.	Used On	Description	Shipping Wt. (lbs.)	Suggested List Price
12435	Both	Tail Wheel: spring-mounted w/laminated tire (Recommended), or choose 13860	150	\$ 1,147.00
13860	Both	Tail Wheel: spring-mounted w/pneumatic, high flotation tire	146	1,580.00
10521	Both	Check Chains: hold mowing height	17	110.00
29476	Both	Counterweight Box: will hold about 370 lbs. of steel slugs (See Note B above)	58	244.00
29475	Both	Counterweight Box: filled with 370 lbs. of slugs and sealed (See Note B above)	412	594.00
26967	S105	Front Chain Shielding	60	326.00
26976	S105	Rear Chain Shielding	62	354.00
26977	S106	Front Chain Shielding	71	392.00
26983	S106	Rear Chain Shielding	73	401.00
12457	Both	Hydraulic Valve, 1 Spool, Single-Acting: adaptable for open or closed-center systems for tractors not having a valve to control a remote cylinder; also order fender bracket 9149 below	21	688.00
9149	Both	Fender Bracket with Hoses & Fittings: for above valve	19	164.00
23101	S105	Category 1 Hitch Pin Kit	3	112.00
8811	Both	Crossbar puller: for dealer use to remove crossbar from shaft	49	▲

REPLACEMENT BLADE KITS (2 blades per kit)

24771KT	S105	Suction-type, general purpose (Standard 7/16 x 4 x 24)	23	▲
17190KT	S105	Flat, double-edge, for brush cutting (Non-suction 3/8 x 4 x 24)	19	▲
8820KT	S106	Suction-type, general purpose (Standard 1/2 x 4 x 30)	33	▲
8830KT	S106	Flat double-edge, for brush cutting (Non-suction 1/2 x 4 x 30)	33	▲
11766	S106	Suction-type, lighter general purpose blade (3/8 x 4 x 30) (Order 2)	12 ea.	▲

CENTER & OFFSET ROTARY CUTTERS

80-inch Dual-Spindle – Models MD80-2, MDO80-2, D80-2, DO80-2, D80A-2 & DO80A-2

FEATURES:

- Safety shielded Category 4 driveline
- Combination gearbox/belt drive
- Front and rear safety chain shielding
- Four 15789 general purpose blades
- Adjustable side skirts
- Easy “Quick Change” blade pins ◀ **EXCLUSIVE FEATURE**
- Cutting capacity: 1 inch diameter
- 60 hp gearbox with 13,920 fpm blade tip speed
- Recommended tractor horsepower: 25 – 75 hp
- 1-year limited gearbox warranty



WARNING: SAFETY CHAIN SHIELDING STANDARD EQUIPMENT. Must be used for all non-agricultural uses and in areas where the possibility of thrown objects could be hazardous to persons or property.

Part No.	Model No.	Description	Shipping Wt. (lbs.)	Suggested List Price
94228	MD80PW-2	Rearmounted for tractors with standard Cat 1, 3-pt. hitch & 1-3/8", 540 rpm PTO. No tail wheel – see Accessories below for recommended tail wheel.	1119	\$ 7,390.00
94218	D80W-2	Pull-Type, 3-joint drive for 1-3/8", 540 rpm PTO; equipped with two 15" wheels (Less tires); parking jack; manual height adjustment.	1293	9,118.00
94226	MDO80PW-2	Offset Rearmounted (offset 23" to right of center) for tractors with standard Cat 1, 3-pt. hitch & 1-3/8", 540 rpm PTO. No tail wheel – see Accessories below for recommended tail wheel.	1147	7,627.00
94222	DO80W-2	Offset Pull-Type (offset 23" to right of center), 3-joint drive for 1-3/8", 540 rpm PTO; equipped with two 15" wheels (Less tires); parking jack; manual height adjustment.	1320	9,396.00
96103	D80ACW-2	Pull-Type, 3-joint drive for 1-3/8", 540 rpm PTO; equipped with two used aircraft tires and rims; parking jack; manual height adjustment.	1352	9,515.00
96105	DO80ACW-2	Offset Pull-Type (offset 23" to right of center), 3-joint drive for 1-3/8", 540 rpm PTO; equipped with two used aircraft tires and rims; parking jack; manual height adjustment.	1379	9,792.00

MODIFICATIONS

Code	Used On	Description	Add Wt.	Add
N	D80W-2	Solid Tires (Pull-type only) 21" OD, add "N" to model number.	155	\$ 1,294.00
N	DO80W-2	Solid Tires (Pull-type, offset only) 21" OD, add "N" to model number.	155	1,294.00

ACCESSORIES

Part No.	Used On	Description	Shipping Wt. (lbs.)	Suggested List Price
8752	MD80-2	Tail Wheel: with 15" OD laminated tire (Recommended)	90	\$ 597.00
8765	MDO80-2	Tail Wheel: with 15" OD laminated tire (Recommended)	98	637.00
10521	MD80 & O80	Check Chains: hold mowing height	17	110.00
7112	MD80 & O80	Bushing Kit: to adapt Category 1 mounting pins to Category 2	1	27.00
13010	MD80 & O80	Category 2 Hitch Pin Kit	4	73.00
8751	D80-2 & O80-2	Hydraulic Height Adjustment Kit: use with standard 8" stroke hydraulic cylinder, or 10475 below	5	58.00
10475	D80-2 & O80-2	Cylinder Kit: 3-1/2" x 8" cylinder for hydraulic height adjustment; order hose 17601 below; also requires 8751 Height Adjustment Kit above	35	285.00
17601	D80-2 & O80-2	Hydraulic Hose: 1/4" x 108" for use with 10475 cylinder above	2	107.00
29085	All Models	Front/Rear Chain Shielding (2 required) – Price & Weight Each	50	431.00
8731	All Models	Chain Shielding Drag Rod Kit: ties lower chain links together	5	146.00
8757	All Models	Leaf Mulcher	136	717.00

REPLACEMENT BLADE KITS (2 blades per kit)

1003413KT	All – 2 models	Formed highest-suction (3/8 x 3 x 18-5/8)	23	▲
15789KT	All – 2 models	Suction-type, general purpose (Standard) (3/8 x 3 x 18-5/8)	23	▲
15790KT	All – 2 models	Flat, (Non-suction) for brush cutting (3/8 x 3 x 18-5/8)	23	▲
15791KT	All – 2 models	Formed high-suction for stalk shredding, finish mowing, leaf mulching (3/8 x 3 x 18-5/8)	23	▲

ROTARY CUTTER

8-foot Standard-Duty, Dual-Spindle – Model DS96

FEATURES:

Smooth, sloped top, 10-gauge deck sheds water and debris	Clevis hitch on pull-type
Side frame: 7-gauge x 10" deep	Cutting Capacity: 1.5 inches diameter
Category 4 input PTO shaft	120 hp splitter gearbox, 90 hp spindle gearboxes
Front and rear rubber belt safety shielding standard	15,900 fpm blade tip speed for 540 rpm PTO
Replaceable "bolt-on" formed side skids	Recommended minimum tractor horsepower: 35 hp pull – 50 hp mounted
Round stump jumpers	6-year limited gearbox warranty
Easy "Quick Change" blade pins	

EXCLUSIVE FEATURE



WARNING: RUBBER SAFETY SHIELDING STANDARD EQUIPMENT. Standard rubber shielding or optional chain shielding must be used for all non-agricultural uses and in areas where possibility of thrown objects could be hazardous to persons or property.

Part No.	Model No.	Description	Shipping Wt. (lbs.)	Suggested List Price
96354	DS96	8' Pull-Type with 540 rpm PTO, Category 4 input drive, with front and rear belt shielding. Order choice of wheels and manual or hydraulic height adjustment from Accessories below	1406	\$ 8,210.00
95671	MDS96	8' Rearmounted for Category 2, 3-point hitch (quick hitch compatible), with 540 rpm PTO, Category 4 input drive, with front and rear belt shielding and equipped with two tail wheel arms and 16" laminated caster wheels	1408	7,597.00

SPECIFY WHEEL OPTION

(Select two wheel & tire assemblies – for pull-type units only)

Part No.	Used On	Description	Shipping Wt. (lbs.)	Suggested List Price Ea.	Suggested List Price x 2
1017088	DS96	15" Wheel Rims for Pneumatic Tires, 5-Bolt: dealer supplies tires (2 req'd).	18 ea.	\$ 64.00	\$ 128.00
1017040	DS96	21" O.D. Solid Laminated Tire & Wheel, 5-Bolt: (2 required).	62 ea.	319.00	638.00
1017030	DS96	Used Aircraft Tire and Rim, 29 x 9 x 15, 5-Bolt (2 required).	75 ea.	348.00	696.00
1028820	DS96	Used Aircraft Tire and Rim, 24 x 7.25 x 12, 5-Bolt (2 required).	42 ea.	311.00	622.00
1028820F	DS96	Used Foam-Filled Aircraft Tire and Rim, 24 x 7.25 x 12, 5-Bolt (2 required).	77 ea.	355.00	710.00

MODIFICATION

Code	Used On	Description	Shipping Wt. (lbs.)	Add
W	All Models	Replace standard Rubber Safety Shielding with Front & Rear Chain Shielding	77	\$ 317.00

ACCESSORIES (Select Height Adjustment Accessory)

Part No.	Used On	Description	Shipping Wt. (lbs.)	Suggested List Price
29547	DS96	Cylinder Kit: 3" x 8" single-acting cylinder for hydraulic height adjustment; order hose 9382 below; also requires Stroke Control Spacer Kit 24098 below	25	\$ 243.00
9382	DS96	Hydraulic Hose: 1/4" x 156" for use with 29547 cylinder above	3	100.00
24098	DS96	Stroke Control Spacer Kit: for hydraulic cylinder	15	42.00
23650	DS96	Manual Height Adjustment: ratchet-type	15	170.00
1013365	All Models	Front Chain Shielding Bundle	73	323.00
1013366	All Models	Rear Chain Shielding Bundle	37	181.00
1013395	All Models	Front Rubber Belt Shielding Bundle	25	118.00
1013396	All Models	Rear Rubber Belt Shielding Bundle	8	69.00
1017310	DS96	Dual Hub Assembly Kit: for 4 wheels per unit, order 2 additional wheels	30	279.00

REPLACEMENT BLADE KITS

Part No.	Qty. Req'd	Description	Qty. Per Kit	Shipping Wt. (lbs.)	Suggested List Price
11769KT	1 Kit	Left Spindle, suction-type blade (Counter-clockwise) – standard	2 Blades	17/kit	▲
11768KT	1 Kit	Right Spindle, suction-type blade (Clockwise) – standard	2 Blades	17/kit	▲
11886KT	2 Kits	Left & Right, double-edge non-suction flat reversible blade	2 Blades	17/kit	▲

ROTARY CUTTER

10-foot Standard-Duty, Dual-Spindle – Model DS120

FEATURES:

- Smooth, sloped top, 10-gauge deck sheds water and debris
- Side frame: 7-gauge x 11" deep
- Category 4 input PTO shaft
- Front and rear rubber belt safety shielding standard
- Replaceable "bolt-on" formed side skids
- Round stump jumpers
- Easy "Quick Change" blade pins
- Clevis hitch on pull-type
- Cutting Capacity: 1.5 inches diameter
- 120 hp splitter gearbox, 90 hp spindle gearboxes
- 16,700 fpm blade tip speed for 540 rpm PTO
- Recommended minimum tractor horsepower: 40 hp pull – 60 hp mounted
- 6-year limited gearbox warranty

EXCLUSIVE FEATURE



WARNING: RUBBER SAFETY SHIELDING STANDARD EQUIPMENT. Standard rubber shielding or optional chain shielding must be used for all non-agricultural uses and in areas where possibility of thrown objects could be hazardous to persons or property.

Part No.	Model No.	Description	Shipping Wt. (lbs.)	Suggested List Price
96351	DS120	10' Pull-Type with 540 rpm PTO, Category 4 input drive, with front and rear belt shielding. Order choice of wheels and manual or hydraulic height adjustment from Accessories below.	1855	\$ 9,809.00
95675	MDS120	10' Rearmounted for Category 2 or 3, 3-point hitch (quick hitch compatible), with 540 rpm PTO, Category 4 input drive, with front and belt shielding and equipped with 16" laminated caster wheels. Order manual or hydraulic height adjustment from Accessories below.	1859	9,038.00

SPECIFY WHEEL OPTION

(Select two wheel & tire assemblies – for pull-type units only)

Part No.	Used On	Description	Shipping Wt. (lbs.)	Suggested List Price Ea.	Suggested List Price x 2
1017088	DS120	15" Wheel Rims for Pneumatic Tires, 5-Bolt: dealer supplies tires (2 req'd).	18 ea.	\$ 64.00	\$ 128.00
1017040	DS120	21" O.D. Solid Laminated Tire & Wheel, 5-Bolt: (2 required).	62 ea.	319.00	638.00
1017030	DS120	Used Aircraft Tire and Rim, 29 x 9 x 15, 5-Bolt (2 required).	75 ea.	348.00	696.00
1028820	DS120	Used Aircraft Tire and Rim, 24 x 7.25 x 12, 5-Bolt (2 required).	42 ea.	311.00	622.00
1028820F	DS120	Used Foam-Filled Aircraft Tire and Rim, 24 x 7.25 x 12, 5-Bolt (2 required).	77 ea.	355.00	710.00

MODIFICATION

Code	Used On	Description	Shipping Wt. (lbs.)	Add
W	All Models	Replace standard Rubber Safety Shielding with Front & Rear Chain Shielding	96	\$ 420.00

ACCESSORIES (Select Height Adjustment Accessory)

Part No.	Used On	Description	Shipping Wt. (lbs.)	Suggested List Price
29547	All Models	Cylinder Kit: 3" x 8" cylinder for hydraulic height adjustment; order hose 9382 below; also requires Stroke Control Spacer Kit 24098 below	25	\$ 243.00
9382	All Models	Hydraulic Hose: 1/4" x 156" for use with 29547 cylinder above (2 required for mounted; 1 required for pull-type)	3	100.00
24098	All Models	Stroke Control Spacer Kit: for hydraulic cylinder	15	42.00
23650	All Models	Manual Height Adjustment: ratchet-type	15	170.00
1009243	All Models	Front Chain Shielding Bundle	91	379.00
1009244	All Models	Rear Chain Shielding Bundle	46	228.00
1008120	All Models	Front Rubber Belt Shielding Bundle	31	141.00
1008121	All Models	Rear Rubber Belt Shielding Bundle	10	46.00
1017310	DS120	Dual Hub Assembly Kit; order 2 additional wheels	30	279.00

REPLACEMENT BLADE KITS

Part No.	Qty. Req'd	Description	Qty. Per Kit	Shipping Wt. (lbs.)	Suggested List Price
19160KT	1 Kit	Left Spindle, suction type blade (Counter-clockwise) – standard	2 Blades	28/kit	▲
19161KT	1 Kit	Right Spindle, suction type blade (Clockwise) – standard	2 Blades	29/kit	▲
19162KT	2 Kits	Left & Right, double-edge non-suction flat reversible blade	2 Blades	27/kit	▲

RIGID ROTARY CUTTER

10.5-foot Heavy-Duty, Dual-Spindle – Models DS1260, MDS1260 & SMDS1260

FEATURES:

- Smooth, sloped top, 10-gauge deck sheds water and debris
- Round stump jumper
- Spring cushion axle
- Variable wheel spacing
- Front and rear safety shielding standard
- Full length replaceable “bolt-on” side skids
- Easy “Quick Change” blade pins ◀ **EXCLUSIVE FEATURE**
- Clevis hitch – Category 2, 3 (3-Point and Quick Hitch)



SPECIFICATIONS:

- Cutting width: 126 inches
- Transport width: 134 inches
- Overall length: 115 inches (lift), 165 inches (pull)
- Cutting height: 2 to 13 inches
- Cut capacity: up to 3 inches in diameter
- Safety shielded Cat. 5 heavy equal angle input driveline or Cat. 6 constant velocity input driveline: pull-type units
- Safety shielded Cat. 5 heavy input driveline: mounted or semi-mounted units
- 205 hp splitter and 160 hp blade spindle rated gearboxes
- 16,881/17,016 fpm blade tip speed for 540/1000 rpm PTO
- 1.5-inch x 3.5-inch blade crossbar
- 4-inch blade overlap with 0.5-inch x 4-inch blade
- 1/4-inch side frame with 12.6-inch depth
- 6-year limited gearbox warranty
- 10-year deck rust-through warranty
- Recommended tractor horsepower: 65 – 150 hp (mounted), 40 – 150 hp (semi-mounted & pull-type)

WARNING: RUBBER SAFETY SHIELDING STANDARD EQUIPMENT. Standard rubber shielding or optional chain shielding must be used for all non-agricultural uses and in areas where possibility of thrown objects could be hazardous to persons or property.

Part No.	Model No.	Description	Shipping Wt. (lbs.)	Suggested List Price
96129	MDS1260	Rearmounted , for Category 2 or 3, 3-point hitch, 540 rpm PTO, equipped with 2 full-swivel 16" laminated tail wheels, front and rear belt shielding. Order height adjustment from Accessories section.	2512	\$ 11,994.00
96131	MDS1260Q	Same as MDS1260 above, except 1000 rpm PTO.	2512	11,994.00
96133	SMDS1260	Semi-mounted , for Category 2 or 3, 3-point hitch, 540 rpm PTO, equipped with 2 full-swivel 21" laminated tail wheels, front and rear belt shielding. Order height adjustment from Accessories section.	2425	12,066.00
96135	SMDS1260Q	Same as SMDS1260 above, except 1000 rpm PTO.	2425	12,066.00
96121	DS1260	Pull-type , 540 rpm PTO, Category 5 heavy equal angle input drive, equipped with front and rear belt shielding. Order choice of wheels and height adjustment from Wheel Option and Accessories sections.	2496	11,784.00
96123	DS1260Q	Same as DS1260 above, except 1000 rpm PTO.	2496	11,784.00
96125	DS1260K	Same as DS1260 above, except w/540 rpm, Category 6 constant velocity input drive.	2499	11,820.00
96127	DS1260QK	Same as DS1260 above, except w/1000 rpm, Category 6 constant velocity input drive.	2499	11,820.00

NOTE: For CV Drive on tractors with 1000 rpm, 1-3/4'-inch, 20-tooth spline PTO, **DELETE #1021102 and ADD #1021101 (Price difference ▲).**
For mounted unit on 1000 rpm, 1-3/4'-inch, 20-tooth spline PTO, **DELETE #57290 and ADD #1032109 (Price difference ▲).**

SPECIFY WHEEL OPTION

(Select two wheel & tire assemblies – for pull-type units only)

Part No.	Used On	Description	Shipping Wt. (lbs.)	Suggested List Price Ea.	Suggested List Price x 2
1017088	DS1260	15" Wheel Rims for Pneumatic Tires: dealer supplies tires (2 required)	18/wheel	\$ 64.00	\$ 128.00
1017040	DS1260	21" O.D. Solid Laminated Tire & Wheel (2 required)	62/wheel	319.00	638.00
1028820	DS1260	24 x 7.25 x 12 5-Bolt Used Aircraft Tire (2 required)	42/wheel	311.00	622.00
1028820F	DS1260	24 x 7.25 x 12 5-Bolt Foam-Filled Used Aircraft Tire (2 required)	77/wheel	355.00	710.00
1017030	DS1260	Used Aircraft Tire and Rim, 29 x 9 x 15, (2 required)	75/wheel	348.00	696.00
1017030F	DS1260	29" O.D. Foam-Filled Used Aircraft Tire with Wheel (2 required)	156/wheel	472.00	944.00

MODIFICATIONS

Code	Used On	Description	Add Wt.	Add Price
W	All Models	Replace standard Rubber Safety Shielding with Front & Rear Chain Shielding.	112	\$ 547.00

Accessories and Blade Kits on following page.

RIGID ROTARY CUTTER**10.5-foot Heavy-Duty, Dual-Spindle – Models DS1260, MDS1260 & SMDS1260 (Continued)****ACCESSORIES**

Part No.	Used On	Description	Shipping Wt. (lbs.)	Suggested List Price
23650	All Models	Manual Ratchet: for height adjustment	15	\$ 170.00
10475	DS1260 & SMDS1260	Hydraulic Cylinder: 3-1/2" x 8" single-acting cylinder for hydraulic height adjustment, order (1) 9382 hose kit below for cutting height adjustment; also requires Stroke Control Spacer Kit 24098 below	35	285.00
18725	MDS1260	Hydraulic Cylinder: double-acting, also order (2) 9382 hose kits below	31	279.00
9382	All Models	Hose Kit: for cutting height adjustment, 1/4" x 156"	3	100.00
24098	All Models	Stroke Control Spacer Set: for hydraulic cylinder	15	42.00
1021380	All Models	Front Chain Shielding	112	533.00
1021383	All Models	Rear Chain Shielding	54	232.00
1021385	All Models	Front & Rear Belt Shielding (Standard equipment)	54	218.00
1017310	DS1260	Dual Hub Kit, order 2 additional wheels (Pull-type units only)	30	279.00
8811	All Models	Cross Bar Puller	49	▲

REPLACEMENT BLADE KITS (2 blades per kit)

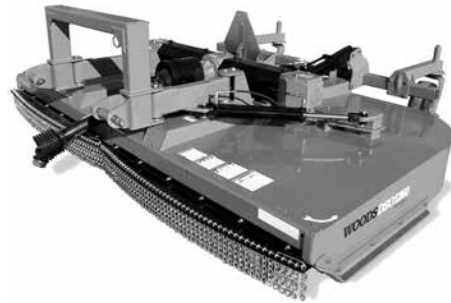
Part No.	Qty. Req'd	Description		
19160KT	1 Kit	Left Spindle, suction type blade (Counter-clockwise) – standard	28/kit	▲
19161KT OR	1 Kit	Right Spindle, suction type blade (Clockwise) – standard	29/kit	▲
19162KT	2 Kits	Left & Right, double-edge, non-suction flat reversible blade	27/kit	▲

OFFSET RIGID ROTARY CUTTER

10.5-foot Heavy-Duty, Dual-Spindle – Model DSO1260

FEATURES:

- Hydraulic offset – 16 inches right or left of center
- Semi-mounted
- Smooth, sloped top, 10-gauge deck sheds water and debris
- Round stump jumper
- Spring cushion axle
- Variable wheel spacing
- Front and rear safety shielding standard
- Full length replaceable “bolt-on” side skirts
- Easy “Quick Change” blade pins ◀ **EXCLUSIVE FEATURE**
- Category 2 or 3 semi-mount hitch



SPECIFICATIONS:

- Cutting width: 126 inches
- Transport width: 134 inches
- Overall length: 135 inches (lift)
- Cutting height: 2 to 13 inches
- Cut capacity: up to 3 inches in diameter
- Safety shielded Cat. 5 heavy input driveline
- 205 hp splitter and 160 hp blade spindle rated gearboxes
- 16,881/17,016 fpm blade tip speed for 540/1000 rpm PTO
- 1.5-inch x 3.5-inch blade crossbar
- 4-inch blade overlap with 0.5-inch x 4-inch blade
- 1/4-inch side frame with 12.6-inch depth
- 6-year limited gearbox warranty
- 10-year deck rust-through warranty
- Recommended tractor horsepower: 50 – 150 hp

WARNING: RUBBER SAFETY SHIELDING STANDARD EQUIPMENT. Standard rubber shielding or optional chain shielding must be used for all non-agricultural uses and in areas where possibility of thrown objects could be hazardous to persons or property.

Part No.	Model No.	Description	Shipping Wt. (lbs.)	Suggested List Price
96007	DSO1260	Semi-mounted, for Category 2 or 3, 540 rpm PTO, equipped w/2 full-swivel 21" laminated tail wheels, front and rear belt shielding. Order height adjustment from Accessories below.	2702	\$ 12,176.00
96009	DSO1260Q	Same as DSO1260 above, except 1000 rpm PTO.	2702	12,176.00

MODIFICATIONS

Code	Description	Add Wt.	Add Price
W	Replace standard Rubber Safety Shielding with Front & Rear Chain Shielding.	112	\$ 547.00

ACCESSORIES

Part No.	Description	Shipping Wt. (lbs.)	Suggested List Price
23650	Manual Ratchet: for height adjustment	15	\$ 170.00
10475	Hydraulic Cylinder: 3-1/2" x 8" single-acting cylinder for hydraulic height adjustment, order (1) 9382 hose kit below for cutting height adjustment; also requires Stroke Control Spacer Kit 24098 below	35	285.00
9382	Hose Kit: for cutting height adjustment, 1/4" x 156"	3	100.00
24098	Stroke Control Spacer Set: for hydraulic cylinder	15	42.00
1021380	Front Chain Shielding	112	533.00
1021383	Rear Chain Shielding	54	232.00
1021385	Front & Rear Belt Shielding (Standard equipment)	54	218.00
8811	Cross Bar Puller	49	▲

REPLACEMENT BLADE KITS (2 blades per kit)

Part No.	Qty. Req'd	Description		
19160KT	1 Kit	Left Spindle, suction type blade (Counter-clockwise) – standard	28/kit	▲
19161KT	1 Kit	Right Spindle, suction type blade (Clockwise) – standard	29/kit	▲
OR				
19162KT	2 Kits	Left & Right, double-edge, non-suction flat reversible blade	27/kit	▲

RIGID ROTARY CUTTER

12-foot Heavy-Duty, Dual-Spindle – Models DS1440, MDS1440 & SMDS1440

FEATURES:

- Smooth, sloped top, 10-gauge deck sheds water and debris
- Round stump jumper
- Spring cushion axle
- Variable wheel spacing
- Front and rear safety shielding standard
- Full length replaceable “bolt-on” side skirts
- Easy “Quick Change” blade pins ◀ **EXCLUSIVE FEATURE**
- Clevis hitch – Category 2, 3 (3-Point and Quick Hitch)



SPECIFICATIONS:

- Cutting width: 144 inches
- Transport width: 152 inches
- Overall length: 125 inches (lift), 175 inches (pull)
- Cutting height: 2 to 13 inches
- Cut capacity: up to 3 inches in diameter
- Safety shielded Cat. 5 heavy equal angle input driveline or Cat. 6 constant velocity input driveline: pull-type units
- Safety shielded Cat. 5 heavy input driveline: mounted or semi-mounted units

- 205 hp splitter and 160 hp blade spindle rated gearboxes
- 16,240/16,487 fpm blade tip speed for 540/1000 rpm PTO
- 1.5-inch x 3.5-inch blade crossbar
- 4-inch blade overlap with 0.5-inch x 4-inch blade
- 1/4-inch side frame with 12.6-inch depth
- 6-year limited gearbox warranty
- 10-year deck rust-through warranty
- Recommended tractor horsepower: 70 – 150 hp (mounted), 50 – 150 hp (semi-mounted & pull-type)

WARNING: RUBBER SAFETY SHIELDING STANDARD EQUIPMENT. Standard rubber shielding or optional chain shielding must be used for all non-agricultural uses and in areas where possibility of thrown objects could be hazardous to persons or property.

Part No.	Model No.	Description	Shipping Wt. (lbs.)	Suggested List Price
96145	MDS1440	Rearmounted , for Category 2 or 3, 3-point hitch, 540 rpm PTO, equipped with 2 full-swivel 16" laminated tail wheels, front and rear belt shielding. Order height adjustment from Accessories section.	2939	\$ 13,355.00
96147	MDS1440Q	Same as MDS1440 above, except 1000 rpm PTO.	2939	13,355.00
96149	SMDS1440	Semi-mounted , for Category 2 or 3, 3-point hitch, 540 rpm PTO, equipped with 2 full-swivel 21" laminated tail wheels, front and rear belt shielding. Order height adjustment from Accessories section.	2845	13,410.00
96151	SMDS1440Q	Same as SMDS1440 above, except 1000 rpm PTO.	2845	13,410.00
96137	DS1440	Pull-type , 540 rpm PTO, Category 5 heavy equal angle input drive, equipped with front and rear belt shielding. Order choice of wheels and height adjustment from Wheel Option and Accessories sections.	2915	13,895.00
96139	DS1440Q	Same as DS1440 above, except 1000 rpm PTO.	2915	13,895.00
96141	DS1440K	Same as DS1440 above, except w/540 rpm, Category 6 constant velocity input drive.	2924	14,035.00
96143	DS1440QK	Same as DS1440 above, except w/1000 rpm, Category 6 constant velocity input drive.	2924	14,035.00

NOTE: For CV Drive on tractors with 1000 rpm, 1-3/4-inch, 20-tooth spline PTO, DELETE #1021102 and ADD #1021101 (Price difference ▲). For mounted unit on 1000 rpm, 1-3/4-inch, 20-tooth spline PTO, DELETE #57290 and ADD #1032109 (Price difference ▲).

SPECIFY WHEEL OPTION

(Select two wheel & tire assemblies – for pull-type units only)

Part No.	Used On	Description	Shipping Wt. (lbs.)	Suggested List Price Ea.	Suggested List Price x 2
1017088	DS1440	15" Wheel Rims for Pneumatic Tires: dealer supplies tires (2 required)	18/wheel	\$ 64.00	\$ 128.00
1017040	DS1440	21" O.D. Solid Laminated Tire & Wheel (2 required)	62/wheel	319.00	638.00
1028820	DS1440	24 x 7.25 x 12 5-Bolt Used Aircraft Tire (2 required)	42/wheel	311.00	622.00
1028820F	DS1440	24 x 7.25 x 12 5-Bolt Foam-Filled Used Aircraft Tire (2 required)	77/wheel	355.00	710.00
1017030	DS1440	Used Aircraft Tire and Rim, 29 x 9 x 15 (2 required)	75/wheel	348.00	696.00
1017030F	DS1440	29" O.D. Foam-Filled Used Aircraft Tire with Wheel (2 required)	156/wheel	472.00	944.00

MODIFICATIONS

Code	Used On	Description	Add Wt.	Add Price
W	All Models	Replace standard Rubber Safety Shielding with Front & Rear Chain Shielding.	131	\$ 601.00

Accessories and Blade Kits on following page.

RIGID ROTARY CUTTER

12-foot Heavy-Duty, Dual-Spindle – Models DS1440, MDS1440 & SMDS1440 (Continued)

ACCESSORIES

Part No.	Used On	Description	Shipping Wt. (lbs.)	Suggested List Price
23650	All Models	Manual Ratchet: for height adjustment	15	\$ 170.00
10475	SMDS1440 & DS1440	Hydraulic Cylinder: 3-1/2" x 8" single-acting cylinder for hydraulic height adjustment, order (1) 9382 hose kit below for cutting height adjustment; also requires Stroke Control Spacer Kit 24098 below	35	285.00
18725	MDS1440	Hydraulic Cylinder: double-acting, also order (2) 9382 hose kits below	31	279.00
9382	All Models	Hose Kit: for cutting height adjustment, 1/4" x 156"	3	100.00
24098	All Models	Stroke Control Spacer Set: for hydraulic cylinder	15	42.00
1022185	All Models	Front Chain Shielding	128	601.00
1022190	All Models	Rear Chain Shielding	70	259.00
1022192	All Models	Front & Rear Belt Shielding (Standard equipment)	67	259.00
1017310	DS1440	Dual Hub Kit, order 2 additional wheels (Pull-type units only)	30	279.00
8811	All Models	Cross Bar Puller	49	▲

REPLACEMENT BLADE KITS (2 blades per kit)

Part No.	Qty. Req'd	Description		
19160KT	1 Kit	Left Spindle, suction type blade (Counter-clockwise) – standard	28/kit	▲
19161KT OR	1 Kit	Right Spindle, suction type blade (Clockwise) – standard	29/kit	▲
19162KT	2 Kits	Left & Right, double-edge, non-suction flat reversible blade	27/kit	▲

RIGID ROTARY CUTTER

14-foot Heavy-Duty, Triple-Spindle – Models MTS1680 & TS1680

FEATURES:

- Smooth, sloped top, 10-gauge deck sheds water and debris
- Bar blade carrier (Stump jumpers optional)
- Spring cushion wheel arms (pull-type units)
- Variable wheel spacing
- Front and rear safety chain shielding standard
- Full length replaceable “bolt-on” side skids
- Clevis hitch – Pull-type and Category 2, 3 (3-Point and Quick Hitch)
- Safety chain included on pull-type units
- Optional stalk shredder kit available
- Optional light kit available for roadway transport



SPECIFICATIONS:

- Cutting width: 168 inches
- Transport width: 176 inches
- Overall length: 123 inches (lift), 158 inches (pull)
- Cutting height: 2 to 13 inches
- Cut capacity: up to 3 inches in diameter
- Safety shielded Cat. 6 constant velocity input driveline: pull-type units
- Safety shielded Cat. 5 heavy input driveline: mounted units
- 235 hp splitter and 205 hp blade spindle rated gearboxes

- 15,540 fpm blade tip speed
- 1.5-inch x 4-inch blade crossbar
- 4-inch blade overlap with 0.5-inch x 4-inch blade
- 1/4-inch side frame with 12-inch depth
- 6-year limited gearbox warranty
- 10-year deck rust-through warranty
- Recommended minimum tractor horsepower: 90 hp (mounted), 70 hp (pull-type)

WARNING: FRONT AND REAR CHAIN SHIELDING STANDARD EQUIPMENT. Front and rear chain shielding must be used for all non-agricultural uses and in areas where possibility of thrown objects could be hazardous to persons or property.

Part No.	Model No.	Description	Shipping Wt. (lbs.)	Suggested List Price
96114	MTS1680W	Rearmounted , for Category 2 or 3, 3-point hitch (QH), 540 rpm PTO, equipped with 2 full-swivel laminated tail wheels, front and rear chain shielding. Order height adjustment from Accessories section.	3595	\$ 15,740.00
96116	MTS1680QW	Same as MTS1680 above, except 1000 rpm PTO .	3595	15,740.00
96118	TS1680KW	Pull-type , 540 rpm PTO, Category 6 constant velocity input drive, equipped with parking jack, front and rear chain shielding. Order choice of wheels and height adjustment from Wheel Option and Accessories sections.	3568	16,295.00
96120	TS1680QKW	Same as TS1680KW above, except 1000 rpm PTO .	3568	16,295.00

NOTE: For CV Drive on tractors with 1000 rpm, 1-3/4-inch, 20-tooth spline PTO, **DELETE #1021102 and ADD #1021101 (Price difference ▲)**. For mounted unit on 1000 rpm, 1-3/4-inch, 20-tooth spline PTO, **DELETE #57290 and ADD #1032109 (Price difference ▲)**.

SPECIFY WHEEL OPTION

(Select two wheel & tire assemblies – for pull-type units only)

Part No.	Used On	Description	Shipping Wt. (lbs.)	Suggested List Price Ea.	Suggested List Price x 2
1017088	TS1680	15" Wheel Rims for Pneumatic Tires: dealer supplies tires (2 required)	18/wheel	\$ 64.00	\$ 128.00
1017040	TS1680	21" O.D. Solid Laminated Tire & Wheel (2 required)	62/wheel	319.00	638.00
1028820	TS1680	24 x 7.25 x 12 5-Bolt Used Aircraft Tire (2 required)	42/wheel	311.00	622.00
1028820F	TS1680	24 x 7.25 x 12 5-Bolt Foam-Filled Used Aircraft Tire (2 required)	77/wheel	355.00	710.00
1017030	TS1680	Used Aircraft Tire and Rim, 29 x 9 x 15 (2 required)	75/wheel	348.00	696.00
1017030F	TS1680	29" O.D. Foam-Filled Used Aircraft Tire with Wheel (2 required)	156/wheel	472.00	944.00

MODIFICATIONS

Code	Used On	Description	Deduct Wt.	Deduct Price
V	All Models	To delete Front & Rear Safety Chain Shielding, replace "W" with "V"	235	\$ 889.00

Accessories and Blade Kits on following page.

RIGID ROTARY CUTTER

14-foot Heavy-Duty, Triple-Spindle – Models MTS1680 & TS1680 (Continued)

ACCESSORIES

Part No.	Used On	Description	Shipping Wt. (lbs.)	Suggested List Price
1021463	All Models	Shredder Kit: for crop and stalk-shredding applications	132	\$ 669.00
23650	All Models	Manual Ratchet: for height adjustment	15	170.00
10475	TS1680	Hydraulic Cylinder: 3-1/2" x 8" single-acting cylinder for hydraulic height adjustment, order (1) 9382 hose kit below for cutting height adjustment; also requires Stroke Control Spacer Kit 24098 below (Pull-type only)	35	285.00
18725	MTS1680	Hydraulic Cylinder: double-acting, also order (2) 9382 hose kits below (Mounted only)	31	279.00
9382	All Models	Hose Kit: for cutting height adjustment, 1/4" x 156"	3	100.00
24098	All Models	Stroke Control Spacer Set: for hydraulic cylinder	15	42.00
1021455	All Models	Front Chain Shielding	92	518.00
1021460	All Models	Rear Chain Shielding	143	371.00
1021435	All Models	Bolt-On Stump Jumper: 3 required for complete unit – Price & Weight Each	48	224.00
1022245	All Models	Light Kit	20	514.00
1017310	TS1680	Dual Hub Kit, order 2 additional wheels (Pull-type units only)	30	279.00
8811	All Models	Cross Bar Puller	49	▲

REPLACEMENT BLADE KITS (2 blades per kit)

Part No.	Qty. Req'd.		Description		
	540 RPM	1000 RPM			
39003KT	2 Kits	1 Kit	Suction type blade (Counter-clockwise) – standard, 1/2" x 4" x 22-1/2"	25/kit	▲
39002KT OR	1 Kit	2 Kits	Suction type blade (Clockwise) – formed, 1/2" x 4" x 22-1/2"	25/kit	▲
39004KT	3 Kits	3 Kits	Double-edge, non-suction flat reversible blade, 1/2" x 4" x 22-1/2"	25/kit	▲

TABLE OF CONTENTS

End Drive Flail Shredders	FS2 – FS4
Features	FS2
Swing Flap Kits & Rubber Belt Kits	FS2
Options and Accessories	FS3 – FS4
Contour Cup Spacing Table	FS4
Center Drive Flail Shredders with Rear Rock Shaft	FS5 – FS7
Features	FS5
Shielding	FS5
Options and Accessories	FS6 – FS7
Contour Cup Spacing Table	FS7
Center Drive Flail Shredders with Four Casters	FS8 – FS10
Features	FS8
Shielding	FS8
Options and Accessories	FS9 – FS10
Contour Cup Spacing Table	FS10

FLAIL SHREDDERS

End Drive Flail Shredder

FEATURES:

- Cutting width: 144 – 240 inches
- Cutting height range: 2 – 14 inches
- Flail tube diameter: 10.75 inches
- Flail tube end bearing: 2.188 inches
- Flail tube speed: 1350 revolutions per minute
- Knife tip speed: 11,700 feet per minute or 133 miles per hour
- Knife Options: 6 mm L-knives, 8 mm HD-Cotton (Duraface) L-knives or 11-inch cup knives
- Knife retention: bolt-on (No D-rings)
- Knife pattern: spiral
- Hood type: smooth, tri-lateral shape
- Hood thickness: 0.18-inch
- End plate thickness: 0.25-inch
- Shielding: rubber belt or swing flap*
- Hitch type: 3-point (Quick-Hitch compatible), pull (Pintle)
- Wheel arm types: strut (Rigid) or caster
- Horsepower requirement: 6 – 8 hp per foot of machine width



- PTO speed: 1000 rpm
- Driveline Size: Category 6
- Gearbox Rating: 300 hp
- Belt Drive: proven system, dual power band Kevlar® belt with 6-inch spring loaded idler
- 6-year limited gearbox warranty

Optional: End tow kit

Optional Partial Wear Liner: Wear panel provides double thickness body at high wear area

Part No.	Model No.	Description	Cutting Width (in.)	Shipping Wt. (lbs.)	# of Knives	Suggested List Price
1036600LK	S12ED	12' L-Knife	144	2565	144	\$ 18,603.00
1036600HD	S12ED	12' HD-Cotton (Duraface) Knife	144	2600	144	20,337.00
1036600CP	S12ED	12' Cup Knife	144	2610	72	18,713.00
1036501LK	S15ED	15' L-Knife	180	3280	168	22,624.00
1036501HD	S15ED	15' HD-Cotton (Duraface) Knife	180	3325	168	24,745.00
1036501CP	S15ED	15' Cup Knife	180	3340	84	22,761.00
1036615LK	S18ED	18' L-Knife	216	3695	208	24,543.00
1036615HD	S18ED	18' HD-Cotton (Duraface) Knife	216	3755	208	27,068.00
1036615CP	S18ED	18' Cup Knife	216	3760	104	24,707.00
1036500LK	S20ED	20' L-Knife	240	4285	232	25,553.00
1036500HD	S20ED	20' HD-Cotton (Duraface) Knife	240	4360	232	28,482.00
1036500CP	S20ED	20' Cup Knife	240	4245	116	25,735.00

SWING FLAP KITS & RUBBER BELT KITS – END DRIVE SHREDDER*

Part No.	Description	Suggested List Price
1036800	S12ED 12' Swing Flap Kit	\$ 625.00
1036801	S15ED 15' Swing Flap Kit	789.00
1036802	S18ED 18' Swing Flap Kit	921.00
1036803	S20ED 20' Swing Flap Kit	1,040.00

Part No.	Description	Suggested List Price
1036804	S12ED 12' Rubber Belt Kit	\$ 343.00
1036805	S15ED 15' Rubber Belt Kit	432.00
1036806	S18ED 18' Rubber Belt Kit	515.00
1036807	S20ED 20' Rubber Belt Kit	555.00

* Must order one Swing Flap Kit or one Rubber Belt Kit with each shredder (Dealer Installed).

FLAIL SHREDDERS

End Drive Flail Shredder (Continued)

OPTIONAL PARTIAL WEAR LINER – FACTORY INSTALLED

Code ¹	Used On	Description	Add Wt.	Add Price
WP	S12ED	Partial wear plate liner – 0.18" thick	170	\$ 615.00
WP	S15ED	Partial wear plate liner – 0.18" thick	200	765.00
WP	S18ED	Partial wear plate liner – 0.18" thick	240	830.00
WP	S20ED	Partial wear plate liner – 0.18" thick	270	920.00

¹ To order the partial wear plate liner, add "WP" to the end of the base model part number.

OPTIONAL PARTIAL WEAR LINER – KIT FOR FIELD INSTALLATION

Part No.	Used On	Description	Shipping Wt. (lbs.)	Suggested List Price
1036670	S12ED	12' Partial wear plate liner kit	170	\$ 615.00
1036671	S15ED	15' Partial wear plate liner kit	200	765.00
1036672	S18ED	18' Partial wear plate liner kit	240	830.00
1036673	S20ED	20' Partial wear plate liner kit	270	920.00

COMPLETING KITS FOR END DRIVE SHREDDERS:

ONE COMPLETING KIT MUST BE ORDERED WITH EACH SHREDDER. The completing kit contains the 3-point hitch, the PTO shaft and strut or caster arm weldments (**less wheel rims and tires**). The pull-type completing kits do **not** include the pull-type hitch weldment, part #50520412 (see below to order). These kits also contain the parking stands, ratchet jack, safety lights and related hardware. (20' and larger shredders should have completing kits with 4 struts or 4 casters.)

Part No.	Description		
1036875 *	3-point hitch, no struts, 1-3/4" PTO drive	625	\$ 3,162.00
1036906 *	3-point hitch, no struts, 1-3/8" PTO drive	475	4,080.00
1036900	3-point hitch, 2 casters, 1-3/8" PTO drive	795	5,202.00
1036901	3-point hitch, 2 casters, 1-3/4" PTO drive	795	5,202.00
1036902	3-point hitch, 4 casters, 1-3/8" PTO drive	1100	6,732.00
1036903	3-point hitch, 4 casters, 1-3/4" PTO drive	1100	6,732.00
1036904	3-point hitch, 4 struts, 1-3/8" PTO drive	785	5,049.00
1036905	3-point hitch, 4 struts, 1-3/4" PTO drive	785	5,049.00
1036906	3-point hitch, 2 struts, 1-3/8" PTO drive	635	4,080.00
1036076	3-point hitch, 2 struts, 1-3/4" PTO drive	635	4,080.00
1036196	Pull-type, 2 struts, 1-3/8" PTO CV drive	358	4,080.00
1036197	Pull-type, 4 struts, 1-3/8" PTO CV drive	517	5,049.00
1036198	Pull-type, 2 struts, 1-3/4" PTO CV drive	358	4,080.00
1036199	Pull-type, 4 struts, 1-3/4" PTO CV drive	517	5,049.00

* Crates 1036875 and 1036906 do not contain struts which are used in potato applications. Order 50510065 Bed Cone Assembly, 1 per row.

PULL-TYPE SHREDDERS: Pull-Type Hitch Weldment must be ordered to complete a Pull-Type Shredder.

Part No.	Description		
50520412	Pull-Type Hitch Weldment (End drive only)	172	\$ 927.00

FLAIL SHREDDERS

End Drive Flail Shredder (Continued)

TIRES

Part No.	Description	Shipping Wt. (lbs.)	Suggested List Price
1010081	9.5L x 15 Implement Tire, Tube, and Wheel (Assembled)	62	\$ 299.00
1017030	Used Aircraft Tire and Rim, 29 x 9 x 15	75	348.00

ACCESSORIES

Part No.	Description	Shipping Wt. (lbs.)	Suggested List Price
1036200	End Transport Kit	869	\$ 5,009.00
1036907	2 Strut Kit for Field Install	160	948.00
1036908	2 Caster Kit for Field Install	325	2,039.00
50510065	Bed Cone Assembly, 1 Row	240	1,164.00
1037129	Anti-Push Skid Plate Kit	65	150.00
10475	Hydraulic Cylinder: 3-1/2" x 8" single-acting cylinder for hydraulic height adjustment, order (1) 9382 hose kit below for cutting height adjustment; also requires Stroke Control Spacer Kit 24098 below	35	285.00
9382	Hose Kit: for cutting height adjustment, 1/4" x 156"	3	100.00
24098	Stroke Control Spacer Set: for hydraulic cylinder	15	42.00

CONTOUR CUP SPACING TABLE

Shredder Width	Contour Cup Row Spacing and Number of Rows				
	30"	34"	36"	38"	40"
12'	4	4	4	-	-
Part No.	1036600CC30	1036600CC34	1036600CC36	-	-
15'	6	4	4	4	4
Part No.	1036501CC30	1036501CC34	1036501CC36	1036501CC38	1036501CC40
18'	6	6	6	-	-
Part No.	1036615CC30	1036615CC34	1036615CC36	-	-
20'	8	6	6	6	6
Part No.	1036500CC30	1036500CC34	1036500CC36	1036500CC38	1036500CC40

FLAIL SHREDDERS

Center Drive Flail Shredder with Rear Rock Shaft

FEATURES:

Cutting width: 183 – 327 inches
 Cutting height range: 2 – 14 inches
 Flail tube diameter: 12.75 inches
 Flail tube end bearing: 2.188 inches
 Flail tube speed: 1350 revolutions per minute
 Knife tip speed: 11,700 feet per minute or 133 miles per hour
 Knife Options: 6 mm L-knives, 8 mm HD-Cotton (Duraface) L-knives or 11-inch cup knives
 Knife retention: bolt-on (No D-rings)
 Knife pattern: spiral
 Hood type: smooth, tri-lateral shape
 Hood thickness: 0.18-inch
 End plate thickness: 0.25-inch
 Shielding: rubber belt or swing flap*
 Hitch type: 3-point, 2-point (Semi-mounted), pull (Pintle)
 Wheel arm types: strut (Rigid) or caster
 Horsepower requirement: 6 – 8 hp per foot of machine width
 Center V-Baffle



PTO speed: 1000 rpm
 Driveline Size: Category 6
 Gearbox Rating: 300 hp
 6-year limited gearbox warranty
Optional Partial Wear Liner: Wear panel provides double thickness body at high wear area

Part No.	Model No.	Description	Cutting Width (in.)	Shipping Wt. (lbs.)	# of Knives	Suggested List Price
1026550LK	S15CD	15' L-Knife	183	3190	168	\$ 22,082.00
1026550HD	S15CD	15' HD-Cotton (Duraface) Knife	183	3248	168	24,227.00
1026550CP	S15CD	15' Cup Knife	183	3195	84	22,209.00
1026551LK	S20CD	20' L-Knife	247	3980	232	24,845.00
1026551HD	S20CD	20' HD-Cotton (Duraface) Knife	247	4060	232	27,798.00
1026551CP	S20CD	20' Cup Knife	247	3987	116	25,012.00
1026552LK	S22CD	22' L-Knife	271	4250	256	26,294.00
1026552HD	S22CD	22' HD-Cotton (Duraface) Knife	271	4338	256	29,575.00
1026552CP	S22CD	22' Cup Knife	271	4258	128	26,501.00
1026553LK	S25CD	25' L-Knife	303	4780	288	29,383.00
1026553HD	S25CD	25' HD-Cotton (Duraface) Knife	303	4879	288	33,049.00
1026553CP	S25CD	25' Cup Knife	303	4789	144	29,604.00
1026554LK	S27CD	27' L-Knife	327	5080	312	31,905.00
1026554HD	S27CD	27' HD-Cotton (Duraface) Knife	327	5188	312	35,983.00
1026554CP	S27CD	27' Cup Knife	327	5090	156	32,159.00

NOTE: Center gearbox drive shredders leave an area of 12 inches uncut in the middle, underneath the gearbox.

SHIELDING*

Part No.	Description	Suggested List Price
1026556	S15CD Rubber Belt Kit	\$ 428.00
1026557	S20CD Rubber Belt Kit	550.00
1026558	S22CD Rubber Belt Kit	570.00
1026559	S25CD Rubber Belt Kit	638.00
1026560	S27CD Rubber Belt Kit	703.00

Part No.	Description	Suggested List Price
1026561	S15CD Swing Flaps Kit	\$ 781.00
1026562	S20CD Swing Flaps Kit	1,030.00
1026563	S22CD Swing Flaps Kit	1,132.00
1026564	S25CD Swing Flaps Kit	1,176.00
1026565	S27CD Swing Flaps Kit	1,343.00

* Must order one Rubber Belt Kit or one Swing Flap Kit with each shredder (Dealer Installed).

FLAIL SHREDDERS

Center Drive Flail Shredder with Rear Rock Shaft (Continued)

OPTIONAL PARTIAL WEAR LINER – FACTORY INSTALLED

Code ¹	Used On	Description	Add Wt.	Add Price
WP	S15CD	Partial wear plate liner – 0.18" thick	208	\$ 765.00
WP	S20CD	Partial wear plate liner – 0.18" thick	285	920.00
WP	S22CD	Partial wear plate liner – 0.18" thick	310	1,071.00
WP	S25CD	Partial wear plate liner – 0.18" thick	350	1,148.00
WP	S27CD	Partial wear plate liner – 0.18" thick	375	1,262.00

¹ To order the partial wear plate liner, add "WP" to the end of the base model part number.

OPTIONAL PARTIAL WEAR LINER – KIT FOR FIELD INSTALLATION

Part No.	Used On	Description	Shipping Wt. (lbs.)	Suggested List Price
1019821	S15CD	Partial wear plate liner kit for field installation – 0.18" thick	208	\$ 765.00
1019822	S20CD	Partial wear plate liner kit for field installation – 0.18" thick	285	920.00
1019823	S22CD	Partial wear plate liner kit for field installation – 0.18" thick	310	1,071.00
1019824	S25CD	Partial wear plate liner kit for field installation – 0.18" thick	350	1,148.00
1019825	S27CD	Partial wear plate liner kit for field installation – 0.18" thick	375	1,262.00

COMPLETING KITS FOR PULL AND LIFT SHREDDERS:

ONE COMPLETING KIT MUST BE ORDERED WITH EACH SHREDDER. The completing kit contains the 3-point and 2-point hitches, the PTO shaft and strut or caster arm weldments (**less wheel rims and tires**). The pull-type completing kits do **not** include the pull-type hitch weldment, part #50520412 (see below to order). These kits also contain the parking stands, ratchet jack, safety lights and related hardware. (20' and larger shredders should have completing kits with 4 struts or 4 casters.)

Part No.	Description		
1019790	Pull-type, 1-3/8" CV PTO with disc clutch, 4 struts, safety lights (Requires 50520412 hitch)	968	\$ 7,796.00
1019791	Pull-type, 1-3/8" CV PTO with disc clutch, 2 struts, safety lights (Requires 50520412 hitch)	753	6,845.00
1019792	Pull-type, 1-3/4" CV PTO with disc clutch, 4 struts, safety lights (Requires 50520412 hitch)	968	7,796.00
1019793	Pull-type, 1-3/4" CV PTO with disc clutch, 2 struts, safety lights (Requires 50520412 hitch)	753	6,845.00
1019808	Pull-type, 1-3/4" CV PTO with automatic clutch ² , 4 struts, safety lights (Requires 50520412 hitch)	973	8,096.00
1019794	3-point hitch, 1-3/8" PTO with disc clutch, 4 struts, safety lights	774	5,658.00
1019795	3-point hitch, 1-3/8" PTO with disc clutch, 2 struts, safety lights	559	4,688.00
1019796	3-point hitch, 1-3/4" PTO with disc clutch, 4 struts, safety lights	810	5,676.00
1019812	3-point hitch, 1-3/4" PTO with automatic clutch ² , 4 struts, safety lights	815	5,975.00
1019797	3-point hitch, 1-3/4" PTO with disc clutch, 2 struts, safety lights	559	4,688.00
1019798	2-point hitch, 1-3/8" PTO with disc clutch, 4 casters, safety lights	928	7,281.00
1019799	2-point hitch, 1-3/4" PTO with disc clutch, 4 casters, safety lights	928	7,299.00
1019800	2-point hitch, 1-3/8" PTO with disc clutch, 2 casters, safety lights	681	5,741.00
1019801	2-point hitch, 1-3/4" PTO with disc clutch, 2 casters, safety lights	681	5,741.00
1019802	3-point hitch, 1-3/8" PTO with disc clutch, 4 casters, safety lights	862	7,688.00
1019803	3-point hitch, 1-3/4" PTO with disc clutch, 4 casters, safety lights	862	7,688.00
1019809	3-point hitch, 1-3/4" PTO with automatic clutch ² , 4 casters, safety lights	967	7,989.00

² This kit contains an automatic clutch that disengages at 30,000 in-lbs and doesn't have wear parts or create heat. Only available for 1-3/4-20 PTO's.

NOTE: Extended length PTO shafts are to be used if the horizontal measured distance from the end of the tractor output shaft to the lower link hitch point (including Quick Hitch, if used) exceeds 28". Measure distance with lower 3-point arms in the level or horizontal position. Call Woods Tech Service for extended length PTO's.

FLAIL SHREDDERS

Center Drive Flail Shredder with Rear Rock Shaft (Continued)

PULL-TYPE SHREDDERS: Pull-Type Hitch Weldment must be ordered to complete a Pull-Type Shredder.

Part No.	Description	Shipping Wt. (lbs.)	Suggested List Price
50520412	Pull-Type Hitch Weldment (S15CD, S20CD, S22CD, S25CD, S27CD only; not for S30CD or end drive)	172	\$ 927.00

TIRES

Part No.	Description	Shipping Wt. (lbs.)	Suggested List Price
1010081	9.5L x 15 Implement Tire, Tube, and Wheel (Assembled)	62	\$ 299.00
1017030	Used Aircraft Tire and Rim, 29 x 9 x 15	75	348.00

ACCESSORIES

Part No.	Description	Shipping Wt. (lbs.)	Suggested List Price
1022670	Anti-Push Skid Plate Kit	65	\$ 408.00
1010087	2 Struts (Two tire assemblies required)	181	943.00
1010109	2 Casters (Two tires assemblies required) – Required for 2-point semi-mounted models	326	2,037.00
1022610	End Transport Kit (For “S” center drive shredders only, except 30’)	1067	5,342.00
1024120	Hydraulic Center Cutter Kit (Cuts center strip) – 28 GPM; 3000 PSI max.	130	3,038.00
50510065	Bed Cone Assembly, 1 Row	240	1,164.00
10475	Hydraulic Cylinder: 3-1/2” x 8” single-acting cylinder for hydraulic height adjustment, order (1) 9382 hose kit below for cutting height adjustment; also requires Stroke Control Spacer Kit 24098 below	35	285.00
9382	Hose Kit: for cutting height adjustment, 1/4” x 156”	3	100.00
24098	Stroke Control Spacer Set: for hydraulic cylinder	15	42.00

CONTOUR CUP SPACING TABLE

Shredder Width	Contour Cup Row Spacing and Number of Rows				
	30”	34”	36”	38”	40”
15’ Part No.	6 1026550CC30	4 1026550CC34	4 1026550CC36	4 1026550CC38	4 1026550CC40
20’ Part No.	8 1026551CC30	6 1026551CC34	6 1026551CC36	6 1026551CC38	6 1026551CC40
22’ Part No.	8 1026552CC30	8 1026552CC34	8 1026552CC36	– –	– –
25’ Part No.	8 1026553CC30	8 1026553CC34	8 1026553CC36	8 1026553CC38	8 1026553CC40
27’ Part No.	10 1026554CC30	– –	– –	– –	8 1026554CC40

FLAIL SHREDDERS

Center Drive Flail Shredder with Four Casters

FEATURES:

Cutting width: 247 – 360 inches
 Cutting height range: 2 – 14 inches
 Flail tube diameter: 12.75 inches
 Flail tube end bearing: 2.188 inches
 Flail tube speed: 1350 revolutions per minute
 Knife tip speed: 11,700 feet per minute or 133 miles per hour
 Knife Options: 6 mm L-knives, 8 mm HD-Cotton (Duraface) L-knives or 11-inch cup knives
 Knife retention: bolt-on (No D-rings)
 Knife pattern: spiral
 Hood type: smooth, tri-lateral shape
 Hood thickness: 0.18-inch
 End plate thickness: 0.25-inch
 Shielding: rubber belt or swing flap*
 Hitch type: 3-point, 2-point (Semi-mounted), pull (Pintle)
 Wheel arm types: strut (Rigid) or caster
 Horsepower requirement: 6 – 8 hp per foot of machine width
 End tow standard
 Center V-Baffle



PTO speed: 1000 rpm
 Driveline Size: Category 6
 Gearbox Rating: 300 hp
 6-year limited gearbox warranty
Optional Partial Wear Liner: Wear panel provides double thickness body at high wear area

Part No.	Model No.	Description	Cutting Width (in.)	Shipping Wt. (lbs.)	# of Knives	Suggested List Price
1038450LK	S20CD	20' L-Knife	247	3663	232	\$ 24,845.00
1038450HD	S20CD	20' HD-Cotton (Duraface) Knife	247	3743	232	27,798.00
1038450CP	S20CD	20' Cup Knife	247	3670	116	25,012.00
1038451LK	S22CD	22' L-Knife	271	3908	256	26,294.00
1038451HD	S22CD	22' HD-Cotton (Duraface) Knife	271	3996	256	29,575.00
1038451CP	S22CD	22' Cup Knife	271	3916	128	26,501.00
1038452LK	S25CD	25' L-Knife	303	4267	288	29,383.00
1038452HD	S25CD	25' HD-Cotton (Duraface) Knife	303	4366	288	33,049.00
1038452CP	S25CD	25' Cup Knife	303	4276	144	29,604.00
1038453LK	S27CD	27' L-Knife	327	4532	312	31,905.00
1038453HD	S27CD	27' HD-Cotton (Duraface) Knife	327	4640	312	35,983.00
1038453CP	S27CD	27' Cup Knife	327	4640	156	32,159.00
1029350LK	S30CD	30' L-Knife	360	5600	352	35,522.00
1029350HD	S30CD	30' HD-Cotton (Duraface) Knife	360	5710	352	40,214.00
1029350CP	S30CD	30' Cup Knife	360	5600	176	36,099.00

NOTE: Center gearbox drive shredders leave an area of 12 inches uncut in the middle, underneath the gearbox.

SHIELDING*

Part No.	Description	Suggested List Price	Part No.	Description	Suggested List Price
1026557	S20CD Rubber Belt Kit	\$ 550.00	1026562	S20CD Swing Flaps Kit	\$ 1,030.00
1026558	S22CD Rubber Belt Kit	570.00	1026563	S22CD Swing Flaps Kit	1,132.00
1026559	S25CD Rubber Belt Kit	638.00	1026564	S25CD Swing Flaps Kit	1,176.00
1026560	S27CD Rubber Belt Kit	703.00	1026565	S27CD Swing Flaps Kit	1,343.00
1029573	S30CD Rubber Belt Kit	730.00	1029571	S30CD Swing Flaps Kit	1,490.00

* Must order one Rubber Belt Kit or one Swing Flap Kit with each shredder (Dealer Installed).

FLAIL SHREDDERS

Center Drive Flail Shredder with Four Casters (Continued)

OPTIONAL PARTIAL WEAR LINER – FACTORY INSTALLED

Code ¹	Used On	Description	Add Wt.	Add Price
WP	S20CD	Partial wear plate liner – 0.18" thick	285	\$ 920.00
WP	S22CD	Partial wear plate liner – 0.18" thick	310	1,071.00
WP	S25CD	Partial wear plate liner – 0.18" thick	350	1,148.00
WP	S27CD	Partial wear plate liner – 0.18" thick	375	1,262.00
WP	S30CD	Partial wear plate liner – 0.18" thick	412	1,350.00

¹ To order the partial wear plate liner, add "WP" to the end of the base model part number.

OPTIONAL PARTIAL WEAR LINER – KIT FOR FIELD INSTALLATION

Part No.	Used On	Description	Shipping Wt. (lbs.)	Suggested List Price
1019822	S20CD	Partial wear plate liner kit for field installation – 0.18" thick	285	\$ 920.00
1019823	S22CD	Partial wear plate liner kit for field installation – 0.18" thick	310	1,071.00
1019824	S25CD	Partial wear plate liner kit for field installation – 0.18" thick	350	1,148.00
1019825	S27CD	Partial wear plate liner kit for field installation – 0.18" thick	375	1,262.00

COMPLETING KITS FOR PULL AND LIFT SHREDDERS:

ONE COMPLETING KIT MUST BE ORDERED WITH EACH SHREDDER. The completing kit contains the 3-point and 2-point hitches, the PTO shaft and strut or caster arm weldments (**less wheel rims and tires**). These kits also contain the parking stands, ratchet jack, safety lights and related hardware. (20' and larger shredders should have completing kits with 4 struts or 4 casters.)

Part No.	Description		
1038420	Pull-type, 1-3/4" CV PTO with disc clutch, 4 casters, safety lights (Pull-type hitch included)	1395	\$ 16,400.00
1038421	3-point hitch, 1-3/4" PTO with disc clutch, 4 casters, safety lights	1555	14,780.00
1029574	3-point hitch, 1-3/4" PTO with automatic clutch ² , 2 front casters and 2 rear casters, safety lights, includes end tow kit	1400	14,780.00
1032111	Pull-type, 1-3/4" CV PTO with automatic clutch ² , 2 front casters and 2 rear casters locked in position, safety lights, includes end tow kit (Pull-type hitch included)	1560	16,728.00

² This kit contains an automatic clutch that disengages at 30,000 in-lbs and doesn't have wear parts or create heat. Only available for 1-3/4-20 PTO's.

NOTE: Extended length PTO shafts are to be used if the horizontal measured distance from the end of the tractor output shaft to the lower link hitch point (including Quick Hitch, if used) exceeds 28". Measure distance with lower 3-point arms in the level or horizontal position. Call Woods Tech Service for extended length PTO's.

FLAIL SHREDDERS

Center Drive Flail Shredder with Four Casters (Continued)

TIRES

Part No.	Description	Shipping Wt. (lbs.)	Suggested List Price
1010081	9.5L x 15 Implement Tire, Tube, and Wheel (Assembled)	62	\$ 299.00
1017030	Used Aircraft Tire and Rim, 29 x 9 x 15 (Recommended on S30CD)	75	348.00

ACCESSORIES

Part No.	Description	Shipping Wt. (lbs.)	Suggested List Price
1022670	Anti-Push Skid Plate Kit	65	\$ 408.00
1024120	Hydraulic Center Cutter Kit (Cuts center strip) – 28 GPM; 3000 PSI max.	130	3,038.00
1035115	3-Point End Tow Kit (30' Only)	120	696.00
10475	Hydraulic Cylinder: 3-1/2" x 8" single-acting cylinder for hydraulic height adjustment, order (1) 9382 hose kit below for cutting height adjustment; also requires Stroke Control Spacer Kit 24098 below	35	285.00
9382	Hose Kit: for cutting height adjustment, 1/4" x 156"	3	100.00
24098	Stroke Control Spacer Set: for hydraulic cylinder	15	42.00

CONTOUR CUP SPACING TABLE

Shredder Width	Contour Cup Row Spacing and Number of Rows				
	30"	34"	36"	38"	40"
20' Part No.	8 1038450CC30	6 1038450CC34	6 1038450CC36	6 1038450CC38	6 1038450CC40
22' Part No.	8 1038451CC30	8 1038451CC34	8 1038451CC36	– –	– –
25' Part No.	10 1038452CC30	8 1038452CC34	8 1038452CC36	8 1038452CC38	8 1038452CC40
27' Part No.	10 1038453CC30	– –	– –	– –	8 1038453CC40

TABLE OF CONTENTS

Rear-Mount and Rear Discharge Mowers	FM2 – FM5
Standard-Duty Rear-Mount, Rear Discharge – 54-, 60- and 72-inch	FM2
Medium-Duty PRD Rear-Mount, Rear Discharge – 60-, 72- and 84-inch	FM3 – FM4
Heavy-Duty Three-Spindle Rear-Mount – 90-inch (RD990X)	FM5
Turf Batwing[®] Rear Discharge Mowers	FM6 – FM8
12.5-foot Wide Area Estate Finish Mower	FM6
12-, 15- and 17-foot Commercial Rear Discharge Mowers	FM7 – FM8
Undermount Mowers	FM9 – FM14
Allis-Chalmers [™]	FM9
IH Farmall [®]	FM10
John Deere [®]	FM11
Kubota [®]	FM11
Massey Ferguson [®]	FM12
Universal Mount	FM13
Extra Blades	FM14

REAR-MOUNT, REAR DISCHARGE FINISH MOWERS

Standard-Duty Finish Mowers – RDC54, RD60, RD72

FEATURES:

Limited Category 1, 3-point hitch (RDC54) for subcompact tractors

Category 1, 3-point hitch (RD60 & RD72)

Quick Hitch compatible (RD60 & RD72)

54-, 60- & 72-inch cutting width, each with 3 blade spindles

540 PTO drive with "B" section **Kevlar®** V-belt driven spindles with automatic tension adjustment

Safety shielded Category 3 driveline

Blade tip speed: 16,200 fpm (RDC54), 18,030 fpm (RD60), 18,000 fpm (RD72)

Optional chain shielding attaches and detaches easily **EXCLUSIVE FEATURE**

Rear box deck frame design for increased deck strength **EXCLUSIVE FEATURE**

Height control: 1 – 4-1/2 inches

Round front corners

Tapered deck design **EXCLUSIVE FEATURE**

Recommended tractor horsepower: 15 – 25 hp (RDC54), 25 – 35 hp (RD60 & RD72)

Gearbox horsepower rating: 25 hp (RDC54), 35 hp (RD60 & RD72)

Limited gearbox warranty: 3-year residential, 1-year commercial



CAUTION: V models listed below pass all applicable safety standards for thrown object and blade contact. However, if the unit will be used in areas where the possibility of thrown objects could be hazardous to persons or property, it is strongly recommended that optional chain shielding (W models) be used for extra protection.

Model No.	Width (in.)	Gauge Wheels	Chain Shielding	Woods® Orange Part No.	Red ¹ Part No.*	Green ² Part No.*	Orange ³ Part No.*	Vibrant Blue ⁴ Part No.*	Red ⁵ Part No.*	Shipping Wt. (lbs.)	Suggested List Price
RDC54W	54	Solid Rubber	Yes	95932	95696	95698	95700	95702	95914	494	\$ 3,067.00
RDC54V	54	Solid Rubber	No	95933	95697	95699	95701	95703	95915	478	2,957.00
RDC54PW	54	Pneumatic	Yes	95938	95706	95708	95710	95712	95916	470	3,002.00
RDC54PV	54	Pneumatic	No	95939	95707	95709	95711	95713	95917	454	2,892.00
RD60W	60	Solid Rubber	Yes	95934	95716	95718	95720	95722	95918	607	3,242.00
RD60V	60	Solid Rubber	No	95935	95717	95719	95721	95723	95919	589	3,117.00
RD60PW	60	Pneumatic	Yes	95940	95726	95728	95730	95732	95920	583	3,175.00
RD60PV	60	Pneumatic	No	95941	95727	95729	95731	95733	95921	565	3,050.00
RD72W	72	Solid Rubber	Yes	95936	95736	95738	95740	95742	95922	686	3,510.00
RD72V	72	Solid Rubber	No	95937	95737	95739	95741	95743	95923	665	3,369.00
RD72PW	72	Pneumatic	Yes	95942	95746	95748	95750	95752	95924	621	3,443.00
RD72PV	72	Pneumatic	No	95943	95747	95749	95751	95753	95925	600	3,302.00

* Painted colors to match ¹ Massey Ferguson®, ² John Deere®, ³ Kubota®, ⁴ New Holland® and ⁵ Case® tractors.

ACCESSORIES AND BLADE KITS

Part No.	Used On	Description	Shipping Wt. (lbs.)	Suggested List Price
1008035	All Models	Front Roller Kit, complete	8	\$ 83.00
1008038	RDC54	Rear Chain Shield Kit	16	110.00
55348	RD60	Rear Chain Shield Kit	18	125.00
53566	RD72	Rear Chain Shield Kit	21	141.00
1023325	RD60 & RD72	TQH1 Category 1 Quick Hitch: For RD, PRD & RM mowers (Does not fit RDC54)	75	355.00
1005400	RD60 & RD72	Quick Hitch Adapter Kit: For RD, PRD & RM mowers (Does not fit RDC54)	27	203.00
78127KT	RDC54	High Suction Blade Kit: 3 blades	9	▲
1001513KT	RD60	High Suction Blade Kit: 3 blades	11	▲
1008199KT	RD72	High Suction Blade Kit: 3 blades	12	▲

REAR-MOUNT, REAR DISCHARGE FINISH MOWERS

Medium-Duty Finish Mowers – PRD6000, PRD7200, PRD8400

FEATURES:

- Category 1, 3-point hitch
- Quick Hitch compatible
- 60-, 72- & 84-inch cutting width, each with 3 blade spindles
- 8-gauge, tapered deck designed with 9/16-inch deck skid rod **EXCLUSIVE FEATURE**
- Box frame design for increased deck strength
- Cast iron spindle sheaves with taper-lock bushing **EXCLUSIVE FEATURE**
- Anti-shimmy caster wheel springs mounted on tubular caster wheel arms **EXCLUSIVE FEATURE**
- "B" size Kevlar® V-belt with clutching cover **EXCLUSIVE FEATURE**
- Cross-bar blade mounting with 2 bolts **EXCLUSIVE FEATURE**
- 4" x 10" caster wheels on all models
- Safety shielded Category 3 driveline
- Cutting height range:
 - 1- to 5.5-inch (PRD6000 & PRD7200),
 - 1- to 4.25-inch (PRD8400)
- Blade tip speed:
 - 18,100 fpm (PRD6000),
 - 18,000 fpm (PRD7200),
 - 17,900 fpm (PRD8400)
- Optional chain shielding attaches and detaches easily **EXCLUSIVE FEATURE**
- Adjustable rear caster wheel spacing (PRD6000 & PRD7200) **EXCLUSIVE FEATURE**
- Recommended tractor horsepower:
 - 15 – 40 hp (PRD6000),
 - 25 – 40 hp (PRD7200 & PRD8400)
- Gearbox horsepower rating: 60 hp
- Limited warranty:
 - 3-year blade spindle,
 - 6-year gearbox



CAUTION: V models listed below pass all applicable safety standards for thrown objects and blade contact. However, if the unit will be used in areas where the possibility of thrown objects could be hazardous to persons or property, it is strongly recommended that optional chain shielding (W models) be used for extra protection.

Model No.	Width (in.)	Gauge Wheels	Chain Shielding	Woods® Orange Part No.	Red ¹ Part No.*	Green ² Part No.*	Orange ³ Part No.*	Vibrant Blue ⁴ Part No.*	Red ⁵ Part No.*	Shipping Wt. (lbs.)	Suggested List Price
PRD6000W	60	Solid Rubber	Yes	1026275W	1026275MRW	1026275JDW	1026275KOW	1026275VBW	1026275CRW	781	\$ 4,341.00
PRD6000V	60	Solid Rubber	No	1026275	1026275MR	1026275JD	1026275KO	1026275VB	1026275CR	763	4,216.00
PRD6000PW	60	Pneumatic	Yes	1026275PW	1026275MRPW	1026275JDPW	1026275KOPW	1026275VBPW	1026275CRPW	756	4,297.00
PRD6000PV	60	Pneumatic	No	1026275P	1026275MRP	1026275JDP	1026275KOP	1026275VBP	1026275CRP	738	4,172.00
PRD7200W	72	Solid Rubber	Yes	1026276W	1026276MRW	1026276JDW	1026276KOW	1026276VBW	1026276CRW	854	4,566.00
PRD7200V	72	Solid Rubber	No	1026276	1026276MR	1026276JD	1026276KO	1026276VB	1026276CR	833	4,425.00
PRD7200PW	72	Pneumatic	Yes	1026276PW	1026276MRPW	1026276JDPW	1026276KOPW	1026276VBPW	1026276CRPW	829	4,525.00
PRD7200PV	72	Pneumatic	No	1026276P	1026276MRP	1026276JDP	1026276KOP	1026276VBP	1026276CRP	808	4,384.00
PRD8400W	84	Solid Rubber	Yes	1016523W	1016523MRW	1016523JDW	1016523KOW	1016523VBW	1016523CRW	1029	5,266.00
PRD8400V	84	Solid Rubber	No	1016523	1016523MR	1016523JD	1016523KO	1016523VB	1016523CR	1004	5,098.00
PRD8400PW	84	Pneumatic	Yes	1016523PW	1016523MRPW	1016523JDPW	1016523KOPW	1016523VBPW	1016523CRPW	992	5,225.00
PRD8400PV	84	Pneumatic	No	1016523P	1016523MRP	1016523JDP	1016523KOP	1016523VBP	1016523CRP	967	5,057.00

* Painted colors to match ¹ Massey Ferguson®, ² John Deere®, ³ Kubota®, ⁴ New Holland® and ⁵ Case® tractors.

Accessories and Blade Kits on following page.

REAR-MOUNT, REAR DISCHARGE FINISH MOWERS

Medium-Duty Finish Mowers – PRD6000, PRD7200, PRD8400 (Continued)

ACCESSORIES

Part No.	Used On	Description	Shipping Wt. (lbs.)	Suggested List Price
1006417	All Models	Front Roller Kit, complete	8	\$ 90.00
55348	PRD6000	Rear Chain Shield Kit	18	125.00
53566	PRD7200	Rear Chain Shield Kit	21	141.00
52856	PRD8400	Rear Chain Shield Kit	26	168.00
1004111	All Models	RD Skid Shoe Kit, 1 pair	16	166.00
1019430	PRD6000	Mulching Kit, complete	42	332.00
1019431	PRD7200	Mulching Kit, complete	42	376.00
1019432	PRD8400	Mulching Kit, complete	42	419.00
1023325	All Models	TQH1 Category 1 Quick Hitch	75	355.00
1005400	All Models	Quick Hitch Adapter Kit: For RM, RD & PRD mowers	27	203.00

BLADE KITS

1001950KT	PRD6000	Mulching Blade Kit: 3 blades	12	▲
1001850KT	PRD7200	Mulching Blade Kit: 3 blades	12	▲
1001951KT	PRD8400	Mulching Blade Kit: 3 blades	12	▲
1001513KT	PRD6000	High Suction Blade Kit: 3 blades	11	▲
1008199KT	PRD7200	High Suction Blade Kit: 3 blades	12	▲
53417KT	PRD8400	High Suction Blade Kit: 3 blades	12	▲
1001510KT	PRD6000	Low Suction Blade Kit: 3 blades	12	▲
1001511KT	PRD7200	Low Suction Blade Kit: 3 blades	12	▲
1001512KT	PRD8400	Low Suction Blade Kit: 3 blades	12	▲

REAR-MOUNT, REAR DISCHARGE FINISH MOWERS

Heavy-Duty, Three-Spindle Finish Mowers – RD990X

FEATURES:

- Category 1 & 2, 3-point hitch
- Quick Hitch compatible
- 7-1/2-foot (90-inch) cutting width with 3 blade spindles
(2 free-swinging blades/spindle)
- 540 PTO drive with double V-belt driven spindles with automatic tension
- Heavy-duty Category 4 driveline
- Tapered roller bearings in caster wheels
- 1.5- to 7-inch cutting height range
- 75 hp gearbox with 17,000 fpm blade tip speed
- Replaceable skid shoes
- 7.25-inch side frame depth
- Recommended tractor horsepower: 45 – 75 hp
- 6-year limited gearbox warranty



WARNING: FRONT AND REAR SAFETY CHAIN SHIELDING is standard equipment and is included in the list price. Chain shielding must be used for all non-agricultural uses and in areas where the possibility of thrown objects could be hazardous to persons or property.

Model No.	Woods® Orange Part No.	Green Part No.*	Description	Shipping Wt. (lbs.)	Suggested List Price
RD990XW	1032835	1032835JD	90" Cutting Width includes front and rear safety chain shielding and 13 x 5 x 10 solid rubber front and rear gauge wheels.	1348	\$ 7,016.00
RD990XPW	1032835P	1032835JDP	90" Cutting Width includes front and rear safety chain shielding and 13 x 5.00-6 pneumatic tires with sealant in lieu of the standard solid tires.	1333	7,016.00

* Painted to match John Deere® tractors.

NOTE: If tractor weight is less than 1800 pounds, front counterweight is recommended.

ACCESSORIES

Part No.	Used On	Description	Shipping Wt. (lbs.)	Suggested List Price
1032828	RD990X	Front Center Roller Kit	9	\$ 146.00
1023325	RD990X	TQH1 Category 1 Quick Hitch	75	355.00
1032830	RD990X	RD990X Quick Hitch Kit (Required for Category 1 or 2 Quick Hitch)	27	224.00

EXTRA BLADES (6 required, 6 per kit)

Part No.	Description	Shipping Wt. (lbs.)	Suggested List Price
29186KT	Suction Blade (Standard) – free swinging	13	▲

REAR DISCHARGE FINISH MOWERS: WIDE AREA ESTATE FINISH MOWER

12.5-foot Turf Batwing® – TBW150C

FEATURES:

Shipped Assembled

540 rpm, safety shielded Category 3, CV input driveline

Safety shielded Category 3 wing drivelines

10 ea. 10 x 4 solid rubber gauge wheels

2 ea. 20 x 9 non-highway speed rated transport tires or

2 ea. 20.5 x 8 highway speed rated transport tires

Clevis hitch with safety tow chain and parking jack

3 ea. standard ag hydraulic cylinders on single circuit

Automatic transport locks – hydraulic unlock option

100 hp splitter gearbox, 35 hp mower deck gearboxes

Rear discharge decks:

Tapered deck design ◀ **EXCLUSIVE FEATURE**

Rear box deck frame design for increased deck strength ◀ **EXCLUSIVE FEATURE**

Cast iron spindles with greasable ball bearings

Three anti-scalp rollers at rear corners and front center on each deck

16,200 fpm blade tip speed

1- to 4.5-inch cutting height range

Recommended tractor horsepower: 25 – 60 hp

Optional chain shielding – attaches and detaches easily

1-year residential and 3-month commercial warranty

3-year residential limited gearbox warranty; 3-month commercial



WARNING: The TBW150C mower passes all applicable safety standards for thrown objects and blade contact. However, if the unit will be used in areas where the possibility of thrown objects could be hazardous to persons or property, it is strongly recommended that optional chain shielding be used for extra protection.

Model No.	Width (ft.)	Transport Wheels	Woods® Orange Part No.	Red ¹ Part No.*	Green ² Part No.*	Orange ³ Part No.*	Vibrant Blue ⁴ Part No.*	Red ⁵ Part No.*	Shipping Wt. (lbs.)	Suggested List Price
TBW150C	12.5	Non-Highway Rated	1029480	1029480MR	1029480JD	1029480KO	1029480VB	1029480CR	2035	\$ 14,955.00
TBW150C	12.5	Highway Rated	1029480H	1029480MRH	1029480JDH	1029480KOH	1029480VBH	1029480CRH	2055	15,124.00

* Painted colors to match ¹Massey Ferguson®, ²John Deere®, ³Kubota®, ⁴New Holland® and ⁵Case® tractors.

ACCESSORIES

Part No.	Description	Qty. Required Per Model	Shipping. Wt. Ea. (lbs.)	Suggested List Price
1029535	Hydraulic Wing Latch Release Kit	1	20	\$ 586.00
1008038	Rear Chain Shielding	3	16	110.00
1029530	Mulch Kit	3	8	321.00
1031385	Light Kit	1	16	533.00
78127KT	High Suction Blade Kit	3	9	▲

COMMERCIAL REAR DISCHARGE FINISH MOWERS

12-, 15- and 17-foot Turf Batwing® – TBW144, TBW180, TBW204

FEATURES:

Shipped Assembled

- 540 rpm, safety shielded Category 4, CV input driveline
- Safety shielded Category 3 wing drivelines
- 10 ea. 15x6-6 gauge wheels with sealant (TBW144)
- 10 ea. 18x9.50-8 gauge wheels with sealant (TBW180 & TBW204)
- 2 ea. 20.5 x 8 load range "D" highway service transport tires
- Adjustable floating clevis hitch with safety tow chain and parking jack
- 3 ea. standard ag hydraulic cylinders on single circuit
- Automatic transport locks
- Safety chain shielding standard equipment
- 100 hp splitter gearbox, 75 hp mower deck gearboxes

Woods premier rear discharge decks:

- Tapered deck design ◀ **EXCLUSIVE FEATURE**
- Rear box deck frame design for increased deck strength ◀ **EXCLUSIVE FEATURE**
- Tapered lock bushing cast iron spindle sheaves ◀ **EXCLUSIVE FEATURE**

- 18,000 fpm blade tip speed
- 1- to 5-inch cutting height range



Recommended tractor horsepower:

- TBW144: 30 – 80 hp
- TBW180: 35 – 80 hp
- TBW204: 40 – 80 hp

- 6-year limited gearbox warranty
- 3-year limited spindle warranty

Part No.	Model No.	Description	Shipping Wt. (lbs.)	Suggested List Price
1033112	TBW144	12' Cutting Width. 2 each 4' wing decks and 5' rear deck. Category 1 drawbar, 1.06" diameter hole.	3050	\$ 20,696.00
1033115	TBW180	15' Cutting Width. 2 each 5' wing decks and 6' rear deck. Category 2 drawbar, 1.31" diameter hole.	3300	22,714.00
1033117	TBW204	17' Cutting Width. 2 each 6' wing decks and 6' rear deck. Category 2 drawbar, 1.31" diameter hole.	3450	25,318.00

HITCH ACCESSORY

Part No.	Used On	Description	Shipping Wt. (lbs.)	Add
1009501A	TBW180 & TBW204	Category 1 Hitch to adapt TBW180 & TBW204 to a Category 1 tractor drawbar	7	\$ 100.00
1009502A	TBW144	Category 2 Hitch to adapt TBW144 to a Category 2 tractor drawbar	7	100.00
1003635	All models	Fixed clevis without floating feature	11	▲

ACCESSORIES

Part No.	Used On	Description	Qty. Required Per Model	Shipping Wt. Ea. (lbs.)	Suggested List Price
1006421	TBW144	Front Roller Kit, wing decks	1	20	\$ 174.00
1006417	TBW144	Front Roller Kit, rear deck	1	8	90.00
1006417	TBW180	Front Roller Kit	3	8	90.00
1006417	TBW204	Front Roller Kit	3	8	90.00
1031818	All Models	Rear Roller Kit	3	8	91.00
1032454	All Models	Hydraulic Wing Latch Release Kit	1	20	575.00
1004111	All Models	RD Skid Shoe Kit: All Models (2 skid shoes per kit)	1 – 3	16	166.00
1031385	All Models	Safety Light Kit: For roadway transport	1	16	533.00
1004116	TBW180 & TBW204	Anti-Streak Kit	1	10	125.00

TBW144, TBW180, TBW204 Mulching Kits, Blades and Blade Kits on following page.

COMMERCIAL REAR DISCHARGE FINISH MOWERS

12-, 15- and 17-foot Turf Batwing® – TBW144, TBW180, TBW204 (Continued)

MULCHING KITS

Part No.	Description	Used On	Qty. Required Per Model	Shipping Wt. (lbs.)	Suggested List Price
1019430	Mulching Kit, complete (For 5' Deck)	15' – TBW180	2 (TBW180)	42	\$ 332.00
1019431	Mulching Kit, complete (For 6' Deck)	15' – TBW180 17' – TBW204	1 (TBW180) 3 (TBW204)	42	376.00

EXTRA BLADES (Complete sets)

Part No.	Description	Used On	Qty Per Set	Shipping Wt. (lbs.)	Suggested List Price
7144BDKT	Blade Kit, complete, high suction	12' – TBW144	7 Blades	31	▲
7144BDKT2	Blade Kit, complete, low suction	12' – TBW144	7 Blades	31	▲
7144BDKT3	Blade Kit, complete, mulching	12' – TBW144	7 Blades	31	▲
9180BDKT	Blade Kit, complete, high suction	15' – TBW180	9 Blades	36	▲
9180BDKT2	Blade Kit, complete, low suction	15' – TBW180	9 Blades	36	▲
9180BDKT3	Blade Kit, complete, mulching	15' – TBW180	9 Blades	36	▲
9204BDKT	Blade Kit, complete, high suction	17' – TBW204	9 Blades	36	▲
9204BDKT2	Blade Kit, complete, low suction	17' – TBW204	9 Blades	36	▲
9204BDKT3	Blade Kit, complete, mulching	17' – TBW204	9 Blades	36	▲

INDIVIDUAL DECK BLADE KITS

1001513KT	60" Deck Blade Kit, high suction	12' & 15'	3 Blades	11	▲
1008199KT	72" Deck Blade Kit, high suction	15' & 17'	3 Blades	12	▲
1008199KT2	48" Deck Blade Kit, high suction	12'	2 Blades	9	▲
1001850KT2	48" Deck Mulching Blade Kit	12'	2 Blades	9	▲
1001950KT	60" Deck Mulching Blade Kit	12' & 15'	3 Blades	12	▲
1001850KT	72" Deck Mulching Blade Kit	15' & 17'	3 Blades	12	▲
1001511KT2	48" Deck Low Suction Blade Kit	12'	2 Blades	9	▲
1001510KT	60" Deck Low Suction Blade Kit	12' & 15'	3 Blades	12	▲
1001511KT	72" Deck Low Suction Blade Kit	15' & 17'	3 Blades	12	▲



UNDERMOUNT MOWERS

For Allis-Chalmers™

Part No.	Model No.	Tractor Make and Model	Description	Shipping Wt. (lbs.)	Suggested List Price
91420	L59ACBH	ALLIS-CHALMERS B with belt pulley (See Note C) & with hydraulic lift; uses tractor cylinder	60" swath, 3-spindle	332	\$ 2,790.00
91446	L306ACBH		72" swath, 3-spindle	416	3,562.00
91421	L59ACBM	ALLIS-CHALMERS B with belt pulley (See Note C) without hydraulic lift	60" swath, 3-spindle	342	2,941.00
91447	L306ACBM		72" swath, 3-spindle	426	3,634.00
91422	L59ACCH	ALLIS-CHALMERS C with belt pulley (See Note C) & with hydraulic lift; uses tractor cylinder	60" swath, 3-spindle	341	2,941.00
91448	L306ACCH		72" swath, 3-spindle	425	3,634.00
91423	L59ACCM	ALLIS-CHALMERS C with belt pulley (See Note C) without hydraulic lift	60" swath, 3-spindle	350	2,941.00
91449	L306ACCM		72" swath, 3-spindle	434	3,715.00

NOTE A: Casters are extra on L59 & L306 models.

NOTE B: See Universal Models, page FM13, for tractors not listed above.

NOTE C: Allis-Chalmers tractor B & C manufactured before 1939 have a smaller, tapered belt pulley shaft and will not fit. (These models will not fit Model I B.)

ACCESSORIES

Part No.	Used On	Description	Shipping Wt. (lbs.)	Suggested List Price
29750	L59, 59	Casters: Pair of casters – 1 left & 1 right	34	\$ 301.00
24095	L306	Casters: Pair of casters	50	414.00
8952	L306	Gauge Rollers: Pair of rollers used where casters have interference	24	572.00
24650	L59 & L306	Front Roller Complete	9	151.00

NOTE: For extra blades, see page FM14.

UNDERMOUNT MOWERS

For IH Farmall®

Part No.	Model No.	Tractor Make and Model	Description	Deck Width / No. of Spindles	Shipping Wt. (lbs.)	Suggested List Price
91886	42CH	IH FARMALL CUB	With hydraulic lift	42" swath, 1-spindle	301	\$ 2,790.00
91410	59CH			60" swath, 3-spindle	313	2,704.00
91887	42CM	IH FARMALL CUB	Without hydraulic lift	42" swath, 1-spindle	329	3,791.00
91411	59CM			60" swath, 3-spindle	341	2,941.00
91413	59CLH	IH CUB LO-BOY	Without Fast Hitch (See Accessory #10570 also)	60" swath, 3-spindle	294	2,941.00
91417	59LB	IH 154, 184 & 185 CUB LO-BOY	With or without 3-point lift (3-point lift may be left on tractor) (See #18240 & #27207 of Accessories)	60" swath, 3-spindle	306	2,704.00
91418	L59AH	IH A, SUPER A, 100, 130 or 140	With belt pulley shaft at 90° to PTO shaft, with hydraulic lift (For Hi-Clearance AV tractors, see #18260 of Accessories)	60" swath, 3-spindle	328	2,790.00
91444	L306AH			72" swath, 3-spindle	412	3,405.00
91419	L59AM	IH A, SUPER A, 100, 130 or 140	With belt pulley shaft at 90° to PTO shaft, with or without hydraulic lift, or with vacuum lift (For Hi-Clearance AV tractors, see #18260 of Acc.)	60" swath, 3-spindle	359	3,330.00
91445	L306AM			72" swath, 3-spindle	443	3,715.00
91416	59HCM	IH 240 & 240 UTILITY	With belt pulley shaft at 90° to PTO shaft, with or without hydraulic lift (See Note B)	60" swath, 3-spindle	356	2,941.00
91414	59HB	IH B (Not BN)	With belt pulley shaft at 90° to PTO shaft, with or without lift (See #12216 of Accessories)	60" swath, 3-spindle	347	2,790.00
91465	L306U	IH B, IH BN	With standard PTO – also order Lift Bundles #9039 & #9045 (See Note C)	72" swath, 3-spindle	515	4,021.00
91415	59HCH	IH C, SUPER C & 200	With belt pulley shaft at 90° to PTO shaft and front rockshaft lift (See Note B)	60" swath, 3-spindle	325	2,704.00
91416	59HCM			60" swath, 3-spindle	356	2,941.00
91465	L306U	IH C, SUPER C & 200	With standard PTO and front rockshaft lift (See Notes A & B)	72" swath, 3-spindle	515	4,021.00
			OR with standard PTO, but without front rockshaft lift – also order Lift Bundles #9039 & #9045 (See Note B)			
91465	L306U	IH 330 & 404	With rear rockshaft (3-point lift arms must be removed) (See Note B) – 404 must be equipped with 36" rear tires	72" swath, 3-spindle	515	4,021.00
91466	L306UH	IH H or M	With hydraulic system (Hydraulic cylinder is furnished with mower)	72" swath, 3-spindle	536	4,564.00
91467	L306UM	IH H, M or 330	Without hydraulic system	72" swath, 3-spindle	555	4,336.00

NOTE A: For L306, also order Lift Bracket #3663.

NOTE B: If tractor has Fast Hitch, it must be removed. Manual lift will not work with hydro-tough hydraulic lift.

NOTE C: Tractor must have left axle extension. Manual lift bundles #9039 & #9045.

ACCESSORIES

Part No.	Used On	Description	Shipping Wt. (lbs.)	Suggested List Price
29750	L59, 59	Casters: Pair of casters – 1 left & 1 right (Not for tractors with swept-back front axle or where tire clearance is limited, such as IH 330, etc.)	34	\$ 301.00
24095	L306	Casters: Pair of casters (Restriction on caster use also applies as noted for L59 above)	50	414.00
8952	L306	Gauge Rollers: Pair of rollers used where casters have interference	24	572.00
10570	42CL & 59CL	Conversion Kit: To permit mounting while complete Fast Hitch is left on tractor, or if standard drawbar is not available	15	286.00
12216	59HB	Left Mounting Bracket: Use when left axle extension housing is removed	10	229.00
18240	59LB	Wheel Spacer Kit: Use if tractor is equipped with 13.6-16 turf tires	9	429.00
18260	L42, L59, L306	AV Conversion Kit: Converts current "A" models for mounting under AV Hi-Clearance tractor; L59A also replaces belt #4152 with #3652; for L306A replace belt #5711 with #10859	13	142.00
24650	L59 & L306	Front Roller Complete	9	151.00
27207	59LB	3-point Hitch Bracket Kit: Required when tractor is equipped with 3-point hitch	6	229.00
3663	L306	Lift Bracket	2	▲
9039	L42, L59	Manual Height Adjustment Kit	19	330.00
9045	L306U	Manual Lift Attachment Plate (Used with #9039)	12	190.00

NOTE: For extra blades, see page FM14.

UNDERMOUNT MOWERS

For John Deere®

Part No.	Model No.	Tractor Make and Model	Description	Shipping Wt. (lbs.)	Suggested List Price
91467	L306UM	JOHN DEERE B or A, 30T, 40T, 320T, 420T, 330T, 430T, etc. (34" minimum wheel size), rear PTO drive – casters extra (See Note)	72" swath, 3-spindle	555	\$ 4,336.00

NOTE: Models having "U" in Model Number, such as L306 U/M, see Universal Models explanation, Page FM13.

ACCESSORIES

Part No.	Used On	Description	Shipping Wt. (lbs.)	Suggested List Price
29750	L59, 59	Casters: Pair of casters – 1 left & 1 right (Not for tractors with swept-back front axle or where tire clearance is limited, such as John Deere 1010, 1020, etc.)	34	\$ 301.00
24095	L306	Casters: Pair of casters (Restriction on caster use also applies as noted for L59 above)	50	414.00
8952	L306	Gauge Rollers: Pair of rollers used where casters have interference	24	572.00
24650	L59 & L306	Front Roller Complete	9	151.00

NOTE: For extra blades, see page FM14.

UNDERMOUNT MOWERS

For Kubota®

Part No.	Model No.	Tractor Make and Model	Description	Shipping Wt. (lbs.)	Suggested List Price
94789	L59K17R	L175 (See Note B)	60" swath, 3-spindle	332	\$ 2,790.00
94789	L59K17R	L225 (Not L225 DT) – if equipped with ag tires, also order belt take-up shield #24255 (See Note B)	60" swath, 3-spindle	332	2,790.00
92377	L306K50	L2250, L2550 & L2850, 2 & 4WD equipped with ag or turf tires (See Note A)	72" swath, 3-spindle	447	3,949.00

NOTE: Casters are extra on L59 & L306 models.

NOTE A: Lower 3-point lift arms must be removed. For tractors with draft control, replace with Kubota® Rt. & Lt. Top Link Holders #99571-2214-0 and #99571-2215-0.

NOTE B: Tractor must be equipped with Kubota SFL-22 ROPS.

ACCESSORIES

Part No.	Used On	Description	Shipping Wt. (lbs.)	Suggested List Price
29750	L59, 59	Casters: Pair of casters – 1 left & 1 right	34	\$ 301.00
24095	L306	Casters: Pair of casters	50	414.00
24650	L59 & L306	Front Roller Complete	9	151.00
24255	L306KR22, L306K24	Belt Take-up Shield: for Kubota L225 & L245 (Not L245DT) when equipped with ag tires	27	858.00

NOTE: For extra blades, see page FM14.

UNDERMOUNT MOWERS**For Massey Ferguson®**

Part No.	Model No.	Tractor Make and Model	Description	Shipping Wt. (lbs.)	Suggested List Price
91465	L306U	MASSEY FERGUSON® 65HC & 165HC (Hi Clearance) (Lower hitch arms must be removed)	72" swath, 3-spindle	515	\$ 4,021.00

NOTE A: Models having "U" following model number, such as L306U, see Universal Models explanation on page FM13.

ACCESSORIES

Part No.	Used On	Description	Shipping Wt. (lbs.)	Suggested List Price
29750	L59, 59	Casters: Pair of casters – 1 left & 1 right	34	\$ 301.00
24095	L306	Casters: Pair of casters	50	414.00
24650	L59 & L306	Front Roller Complete	9	151.00

NOTE: For extra blades, see page FM14.

UNDERMOUNT MOWERS

For Universal Mount

EXPLANATION OF UNIVERSAL MODELS

The **L306U** can be adapted to a wide variety of tractors not listed in this price list.

1. Tractors must meet these requirements:
 - a. Equipped with standard 540 rpm PTO.
 - b. When equipped with 3-point hitch, this is used to control mower height adjustment. (Lower lift arms usually must be removed.) If not equipped with 3-point hitch, see 2. below.
 - c. Straight rear axle housing and square type rear axle or with flat surface on axle housing, to clamp mower idler bracket.
 - d. 16-inch clearance between ground and differential housing and a minimum of 40 inches between rear wheels.
 - e. 12.4-28 tires minimum (11.2 x 28-inch tires do not give adequate clearance). 34-inch wheels and tires give desirable clearance, but 28-inch wheels and tires will, with center belt shield removed, provide enough clearance for normal mowing and maneuvering.

Will fit tractors such as: (If they meet the above requirements)

FORD® 4000 & 5000 (1965 and later models only)

JOHN DEERE® 820, 1010, (Not 1010RS, 1010RU or 1010U – maximum cutting height is 2 inches), **1020RU, 1020HU** (Not 1020LU), **2020RU** (Not 2020LU), **2040**. When ordering an L306 for JD820 or 2040 also order shorter belt #23943 and return belt #13425 in box for credit. For L59 order shorter belt #10859 and return belt #11466 for credit. Also fits **JOHN DEERE MT**, but rear of idler bracket has only 4-inch ground clearance. For L306 on John Deere MT and other tractors with high PTO, order #30435 and return #13425 for credit. (Cost difference)

OLIVER 1250, order offset pulley #10830 and return #10720 for credit. (Cost difference)

MASSEY FERGUSON® MF 65 HC, MF 165 HC, etc.

2. For tractors **WITHOUT HYDRAULIC SYSTEM**, add “M” to model number.

Part No.	Model No.	Description	Shipping Wt. (lbs.)	Suggested List Price
91465	L306U	72" swath, 3-spindle	515	\$ 4,021.00
91467	L306UM	72" swath, 3-spindle - manual lift	555	4,336.00

ACCESSORIES

Part No.	Used On	Description	Shipping Wt. (lbs.)	Suggested List Price
9039	L42, L59	Manual Height Adjustment Kit	19	\$ 330.00
9170		Manual Lift System Attachment Kit	21	560.00
9171	L42, L59	Hydraulic Height Adjustment Mechanical Kit	10	373.00
8150		Hydraulic Height Adjustment Cylinder	11	445.00
3651		1-1/8 Spline Bushing: For use with tractors with 1-1/8" PTO	2	▲

NOTE: For extra blades, see page FM14.

UNDERMOUNT MOWERS

Extra Blades – For 42, L42, 348, 59, L59, L503, F35, C360, L306, C372



FOR UNDER-MOUNT MOWERS

Model No.	Qty. Req'd.	Part No.	Description	Shipping Wt. (lbs.)	Suggested List Price
42	1 Kit (2 per)	3975KT	Medium suction (Standard)	8	▲
L42	1 Kit (2 per)	3980KT	Medium suction (Standard)	8	▲
348	1 Kit (3 per)	28880KT	High suction (Standard)	5	▲
348	1 Kit (3 per)	12170KT	Medium suction	5	▲
F35	1 Kit (3 per)	31359KT	High suction (Standard)	6.5	▲
F35	1 Kit (3 per)	25997KT	Low suction for abrasive soil	7	▲
C360	1 Kit (3 per)	34615KT	High suction (Standard)	10	▲
C360	1 Kit (3 per)	18881KT	Medium suction	10.5	▲
C360	1 Kit (3 per)	34615CKT	High suction carbide edged (Quantities limited)	10	▲
C372	1 Kit (3 per)	15127KT	High suction (Standard)	12	▲
C372	1 Kit (3 per)	18884KT	Medium suction	12	▲
59	1 Kit (3 per)	6950KT	High suction (Standard)	7	▲
59	1 Kit (3 per)	26559KT	Low suction for abrasive soil	7	▲
L59	1 Kit (3 per)	23825KT	Medium suction (Standard)	6.5	▲
L59	1 Kit (3 per)	25997KT	Low suction for abrasive soil	7	▲
L503	1 Kit (3 per)	31359KT	High suction (Standard)	6.5	▲
L503	1 Kit (3 per)	25997KT	Low suction for abrasive soil	7	▲
L306	1 Kit (3 per)	13404KT	Medium suction (Standard)	10	▲
L306	1 Kit (3 per)	28328KT	Low suction for abrasive soil	10	▲

TABLE OF CONTENTS

Box Scrapers	LE2 – LE3
Standard-Duty	LE2
Medium-Duty	LE3
Gannon [®] Universal Industrial Box Scrapers (Construction Section)	CO26 – CO27
Grading Scrapers	LE4
Chippers / Shredders	LE5
Disc Harrows	LE6
Landscape Rakes	LE6 – LE7
Standard-Duty	LE6
Heavy-Duty	LE7
Pluggers / Core Aerators	LE7
Post Hole Diggers, Augers and Accessories	LE8 – LE9
Power Rakes	LE10
Pulverizers	LE11
Quick Hitch	LE12
Rear Blades	LE12 – LE14
Standard-Duty	LE12
Medium-Duty	LE13
Heavy-Duty	LE14
Rotary Tillers	LE15 – LE17
Standard-Duty	LE15 – LE16
Medium-Duty and Heavy-Duty	LE17
Seeders	LE18 – LE20
Stump Grinders	LE21

BOX SCRAPERS – STANDARD-DUTY

GBC48

FEATURES:

- Limited Category 1 for sub-compact tractors & Category 1 For up to 25 hp tractors
- ASAE Quick Hitch compatible
- 7-gauge end plates
- Twin 1/2-inch x 6-inch reversible, beveled, hardened cutting edges
- 4 adjustable, 3-position scarifiers
- 15-1/2-inch moldboard height



Model No.	Woods Orange Part No.	Black Part No.	Description	Heaped Cap. (cu.ft.)	Shipping Wt. per Crate (lbs.)	Suggested List Price
GBC48	GBC48	GBC48BLK	4' Box Scraper	6.8	317	\$ 1,095.00

ACCESSORIES

Part No.	Description	Shipping Wt. (lbs.)	Suggested List Price
1009298	Category 0, 1 Hitch Pin Kit	1	\$ 25.00
1004653	Category 1, Quick Hitch Bushing Kit	1	48.00
1009297	Owners Manual Tube Kit	1	30.00
1023325	TQH1 Category 1 Quick Hitch (Includes bushings)	75	355.00

BOX SCRAPERS – STANDARD-DUTY

BSS54, BSS60, BSS65, BSS72

FEATURES:

- Category 1 hitch; Heavy plate A-frame; Clevis-style hitch
- Colors to match most tractor brands
- For tractors up to 45 engine horsepower
- ASAE Quick-Hitch compatible
- 3/8-inch end plates
- 1/2-inch x 6-inch reversible, beveled, hardened cutting edges
- High strength steel construction
- Replaceable hardened point and scarifiers
- Three position scarifiers: 0, 1.5" and 3" depths
- Shank holders for improved scarifier tube strength
- Robotically welded for superior durability



Model No.	Woods® Orange Part No.	Black Part No.	Width (in.)	Heaped Cap. (cu. ft.)	Qty. of Shanks	Product Wt. (lbs.)	Shipping Wt. (lbs.)	Suggested List Price
BSS54	102905054	102905054BLK	54	10.3	4	486	506	\$ 1,252.00
BSS60	102905060	102905060BLK	60	11.5	5	514	551	1,305.00
BSS65	102905065	102905065BLK	65	12.5	5	528	566	1,390.00
BSS72	102905072	102905072BLK	72	13.8	6	551	615	1,506.00

TRACTOR COLORS

Model No.	Orange ¹ Part No.*	Green ² Part No.*	Blue ³ Part No.*	Red ⁴ Part No.*	Suggested List Price
BSS54	102905054KO	102905054JD	102905054VB	102905054RD	\$ 1,282.00
BSS60	102905060KO	102905060JD	102905060VB	102905060RD	1,336.00
BSS65	102905065KO	102905065JD	102905065VB	102905065RD	1,420.00
BSS72	102905072KO	102905072JD	102905072VB	102905072RD	1,538.00

* Painted colors to match ¹ Kubota®, ² John Deere®, ³ New Holland® and ⁴ Case® tractors.

ACCESSORIES

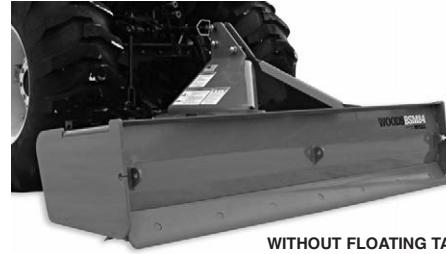
Part No.	Description	Product Wt. (lbs.)	Shipping Wt. (lbs.)	Suggested List Price
1023325	TQH1 Category 1 Quick-Hitch (Includes bushings)	75	75	\$ 355.00
1003832	Quick-Hitch Bushing Adapter Kit, Category 1	2	2	163.00

BOX SCRAPERS – MEDIUM-DUTY

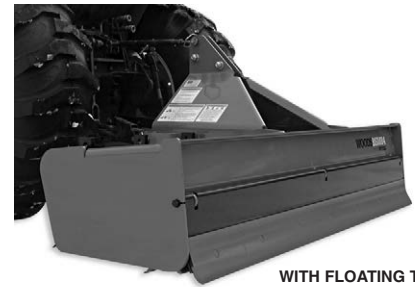
BSM72, BSM84

FEATURES:

- Category 1 & 2 hitch; Heavy plate A-frame; Clevis-style hitch
- Colors to match most tractor brands
- For tractors up to 65 engine horsepower
- ASAE Quick-Hitch compatible
- 1/2-inch end plates with wear plates; 33% heavier than BSS
- 1/2-inch x 6-inch reversible, beveled, hardened cutting edges
- 1/4-inch steel moldboard; 39% heavier than BSS
- High strength steel through-out
- Replaceable hardened point and scarifiers
- Three position scarifiers: 0, 1.5" and 3" depths
- Shank holders for improved scarifier tube strength
- Robotically welded for superior durability
- Optional** floating tailgate for improved grading capability



WITHOUT FLOATING TAILGATE



WITH FLOATING TAILGATE

Model No.	Woods® Orange Part No.	Black Part No.	Width (in.)	Heaped Cap. (cu. ft.)	Qty. of Shanks	Product Wt. (lbs.)	Shipping Wt. (lbs.)	Suggested List Price
BSM72	102907072	102907072BLK	72	13.8	6	680	722	\$ 1,624.00
BSM84	102907084	102907084BLK	84	16.2	7	750	794	1,799.00

TRACTOR COLORS

Model No.	Orange ¹ Part No.*	Green ² Part No.*	Blue ³ Part No.*	Red ⁴ Part No.*	Suggested List Price
BSM72	102907072KO	102907072JD	102907072VB	102907072RD	\$ 1,654.00
BSM84	102907084KO	102907084JD	102907084VB	102907084RD	1,829.00

* Painted colors to match ¹ Kubota®, ² John Deere®, ³ New Holland® and ⁴ Case® tractors.

ACCESSORIES

Part No.	Description	Product Wt. (lbs.)	Shipping Wt. (lbs.)	Suggested List Price
1023325	TQH1 Category 1 Quick-Hitch (Includes bushings)	75	75	\$ 355.00
1003832	Quick-Hitch Bushing Adapter Kit, Category 1	2	2	163.00
102910572	BSM72 Tailgate Kit (Uses cutting edge from BSM)	60	60	208.00
102910584	BSM84 Tailgate Kit (Uses cutting edge from BSM)	62	62	234.00

GRADING SCRAPERS – STANDARD- & MEDIUM-DUTY GSS54, GSS60, GSS72, GSM84, GSM96

FEATURES:

- Limited Category 1 & Category 1, 3-point hitch (GSS54)
- Category 1, 3-point hitch (GSS60 & GSS72)
- Category 1 & 2, 3-point hitch (GSM84 & GSM96)
- Tractor engine horsepower:
 GSS54: 15 – 30 hp
 GSS60 & GSS72: 20 – 45 hp
 GSM84 & GSM96: 30 – 65 hp
- Heavy-duty mast plates with Clevis style hitch
- Two (2) 1/2-inch x 6-inch reversible, beveled, hardened cutting edges
- Replaceable hardened points and scarifiers
- Four position scarifiers
- Scarifier holders for improved tube strength
- ASAE Quick-Hitch compatible



GRADING SCRAPERS WITH SCARIFIERS

Model No.	Part No.	Description	Working Width (in.)	Qty. of Scarifiers	Shipping Wt. (lbs.)	Suggested List Price
GSS54P	103337554	GSS54 Grading Scraper with Scarifiers	53	4	423	\$ 1,439.00
GSS60P	103337560	GSS60 Grading Scraper with Scarifiers	59	4	567	1,610.00
GSS72P	103337572	GSS72 Grading Scraper with Scarifiers	71	5	669	1,811.00
GSM84P	103337584	GSM84 Grading Scraper with Scarifiers	83	6	768	2,020.00
GSM96P	103337596	GSM96 Grading Scraper with Scarifiers	95	6	816	2,282.00

GRADING SCRAPERS WITHOUT SCARIFIERS

Model No.	Part No.	Description	Working Width (in.)	Shipping Wt. (lbs.)	Suggested List Price
GSS54	103626554	GSS54 Grading Scraper without Scarifiers	53	363	\$ 1,080.00
GSS60	103626560	GSS60 Grading Scraper without Scarifiers	59	507	1,251.00
GSS72	103626572	GSS72 Grading Scraper without Scarifiers	71	594	1,452.00
GSM84	103626584	GSM84 Grading Scraper without Scarifiers	83	678	1,661.00
GSM96	103626596	GSM96 Grading Scraper without Scarifiers	85	726	1,923.00

ACCESSORIES

Part No.	Description	Shipping Wt. (lbs.)	Suggested List Price
1003830	Quick-Hitch Bushing (Requires 2)	0.5	▲

CHIPPERS – STANDARD-DUTY

Chipper TCH4500, Chipper/Shredder 5000 – For Gardeners and Landscapers

TCH4500 FEATURES:

Limited Category 1 & Category 1
 540 rpm PTO driven, up to 35 hp tractors
 ASAE Quick Hitch compatible
 4.5-inch chip capacity
 Designed for compact and sub-compact tractors
 Hand operated clutch, easier starts with electric PTO tractors
 Reversible blades & 4-side, adjustable, steel anvil
 7-gauge chipper housing



5000 FEATURES:

Category 1, 540 rpm
 PTO Driven, 15 – 30 hp tractors
 5-inch chip capacity plus shredding
 Reversible heat-treated blades
 125 lb. rotor turns at 2000 rpm
 36 serrated, free-swinging knives for quick shredding
 Large shredder hopper for materials up to 1 inch
 Coarse screen standard - fine, medium, wet optional



Model No.	Part No.	Description	Shipping Wt. (lbs.)	Suggested List Price
TCH4500	1015997	4.5" PTO driven, gravity feed, Chipper	485	\$ 4,661.00
5000	94767	5" PTO driven, gravity feed, Chipper/Shredder	534	5,120.00

ACCESSORIES: Models TCH4500 & 5000

Part No.	Description	Shipping Wt. (lbs.)	Suggested List Price
1016000	Discharge Chute, 4.5" square – direct debris to pickup or trailer (Model TCH4500)	50	\$ 400.00
51211	Blower Attachment, 4" – one speed, 4-blade, 360° rotation (Model 5000)	100	1,331.00
51213	Screen, fine – 3/8" holes (Model 5000)	15	218.00
51214	Screen, medium – 3/4" holes (Model 5000)	17	218.00
51215	Screen, coarse – 1-1/2" holes (Standard with Model 5000)	15	212.00
51216	Screen, wet material (Model 5000)	13	218.00
1023325	TQH1 Category 1 Quick Hitch (Includes bushings)	75	355.00
1022040	Category 1, Quick Hitch Bushing Kit	2	86.00
Order following as parts:			
51212	Leaf Tamper (Model 5000)	6	▲
40790	Reversible Chipper Blade Kit (Model 5000)	2	▲
51218	Shredder Knife Kit (Model 5000)	18	▲

CHIPPERS – MEDIUM-DUTY

8000, 8100 – For Professional Landscapers and Farmers

FEATURES:

Category 1 & 2
 540 rpm PTO driven, for 25 – 60 hp tractors
 Four reversible tool steel blades are mounted at 90 degrees - less vibration
 360-degree rotation discharge chute for convenience
 Gravity feed (Model 8000)
 Hydraulic feed (Model 8100) - self contained, with electronic sensor
 8-inch chip capacity (Model 8000); 9-inch chip capacity (Model 8100)



8100 SHOWN

Model No.	Part No.	Description	Shipping Wt. (lbs.)	Suggested List Price
8000	94769	PTO driven, gravity feed, Chipper (8")	1126	\$ 10,170.00
8100	94770	PTO driven, hydraulic power feed, Chipper (9")	1567	15,066.00

ACCESSORY: Model 8000

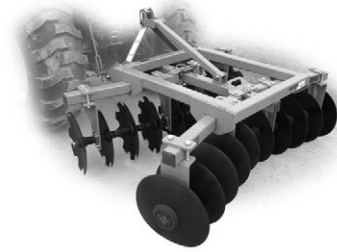
Part No.	Description	Shipping Wt. (lbs.)	Suggested List Price
51222	Chipper Blade Kit (Order as part)	10	▲

DISC HARROWS – MEDIUM-DUTY

DHM Series

FEATURES:

- Category 1
- ASAE Quick Hitch compatible
- 5' for 28 – 70 hp tractors; 6' for 32 – 70 hp tractors; 7' for 36 – 70 hp tractors
- 18" blades – either all notched or combination notched/smooth – 7-1/2" spacing
- Adjustable angles to 0, 7, 14, or 21 degrees
- 3" x 3" gang tubes and 3" x 3" frame with 1" square gang shafts
- Triple sealed, self-aligning ball bearings



Model No.	Part No.	Description – Disc Type – No. of Blades	Shipping Wt. (lbs.)	Suggested List Price
DHM5-N	1011295N	5' Disc Harrow – Notched – 16	755	\$ 2,243.00
DHM5-C	1011295C	5' Disc Harrow – Notched/Smooth – 16	755	2,243.00
DHM6-N	1011296N	6' Disc Harrow – Notched – 20	838	2,465.00
DHM6-C	1011296C	6' Disc Harrow – Notched/Smooth – 20	838	2,465.00
DHM7-N	1011297N	7' Disc Harrow – Notched – 24	920	2,713.00
DHM7-C	1011297C	7' Disc Harrow – Notched/Smooth – 24	920	2,713.00

ACCESSORIES

Part No.	Description	Shipping Wt. (lbs.)	Suggested List Price
1022043	Category 1, Quick Hitch Bushing Kit	1	\$ 51.00
1023325	TQH1 Category 1 Quick Hitch (Includes bushings)	75	355.00

LANDSCAPE RAKES – STANDARD-DUTY

LRS Series

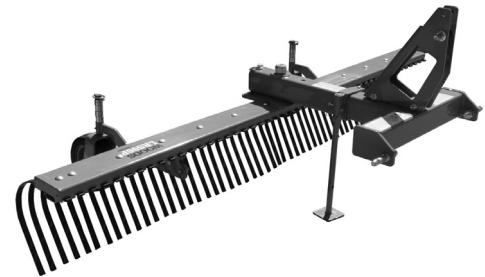
LRS52/60/72 (BASIC) FEATURES:

- Limited Category 1 & Category 1 tractors, up to 30 hp
- Pivot Angle:
 - Forward – 5 @ 15°,
 - Reverse – 5 @ 15°
- Pivot Bolt Diameter: 1" (grade 8)
- Tines: 1" wide x 5/16" thick with 1" spacing
- Tine Beam Material: 3/16" (grade 80 steel)
- Optional gauge wheels and parking stand
- ASAE Quick Hitch compatible



LRS72P/84P/96P (PREMIUM) FEATURES:

- Category 1 tractors, 20 – 45 hp
- Pivot Angle:
 - Forward – 5 @ 15°,
 - Reverse – 5 @ 15°
- Pivot Bolt Diameter: 1-1/4" (grade 8)
- Tines: 1" wide x 5/16" thick with 1" spacing
- Tine Beam Material: 1/4" (grade 80 steel)
- Optional gauge wheels and parking stand
- ASAE Quick Hitch compatible



Model No.	Part No.	Description	Width	Shipping Wt. (lbs.)	Suggested List Price
LRS52	103735052	52" Landscape Rake (Basic) with manual angle adjustment	52	156	\$ 695.00
LRS60	103735060	60" Landscape Rake (Basic) with manual angle adjustment	60	168	750.00
LRS72	103735072	72" Landscape Rake (Basic) with manual angle adjustment	72	186	800.00
LRS72P	103735572	72" Landscape Rake (Premium) with manual angle adjustment	72	264	1,130.00
LRS84P	103735584	84" Landscape Rake (Premium) with manual angle adjustment	84	288	1,275.00
LRS96P	103735596	96" Landscape Rake (Premium) with manual angle adjustment	96	311	1,405.00

ACCESSORIES

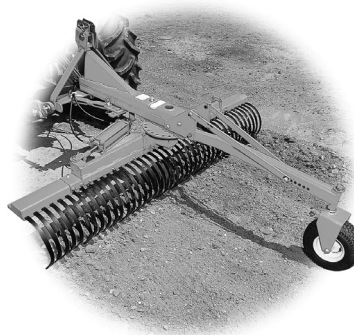
Part No.	Used On	Description	Shipping Wt. (lbs.)	Suggested List Price
1037437	LRS52/60/72	Dual Gauge Wheel Kit (Includes two wheels and arms)	38	\$ 276.00
1037589	LRS72P/84P/96P	Dual Gauge Wheel Kit (Includes two wheels and arms)	53	276.00
1037480	LRS52/60/72	Parking Stand	10	80.00
1037450	LRS72P/84P/96P	Parking Stand	10	80.00
1023325	All	TQH1 Category 1 Quick Hitch (Includes bushings)	75	355.00

LANDSCAPE RAKES – 7- & 8-FOOT HEAVY-DUTY

LR700, LR800

FEATURES:

- Category 1 or 2
- For 20 – 60 hp tractors
- Angle (15-degree increments) and offset feature
- 5/16-inch x 1-inch high-carbon spring steel tines; single bolt
- Heavy-duty tine beam with 1-inch tine spacing
- Twenty-four positions; 360-degree pivot
- 15-inch vertical space from mounting surface to ground engagement point



SHOWN WITH OPTIONAL
TAIL WHEEL & HYDRAULIC
ANGLING BRACKET

Model No.	Part No.	Description	No. of Teeth	Shipping Wt. (lbs.)	Suggested List Price
LR700	1004302	Category 1, 7' Landscape Rake for Category 1 hitch tractor	42	496	\$ 2,257.00
LR700	1004303	Category 2, 7' Landscape Rake for Category 2 hitch tractor	42	508	2,257.00
LR800	1004304	Category 1, 8' Landscape Rake for Category 1 hitch tractor	48	545	2,451.00
LR800	1004305	Category 2, 8' Landscape Rake for Category 2 hitch tractor	48	550	2,451.00

NOTE: LR700 and LR800 are available with Category 1 or Category 2 hitch. You must specify Category 1 or Category 2 with order. (Cannot be used with quick attaching couplers.)

ACCESSORIES

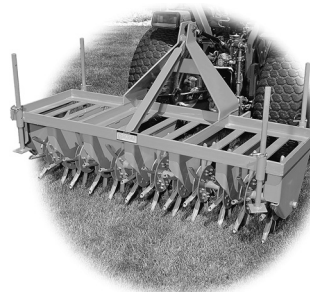
Part No.	Used On	Description	Shipping Wt. (lbs.)	Suggested List Price
1002798	All	Dual Gauge Wheel Kit (Includes 2 wheels and arms)	53	\$ 533.00
29651	All	Single Tail Wheel	69	393.00
18805	LR700	7' Flip Down Grader Blade	68	331.00
20465	LR800	8' Flip Down Grader Blade	76	367.00
20466	All	Grader Blade End Boots (Pair)	10	114.00
20453	All	Hydraulic Angling Bracket (Use with #1004696 below)	7	70.00
1004696	All	Hydraulic Cylinder Kit with 65" hoses (Use with #20453 above) – 3" cylinder replaces #16319 and #18294	23	402.00

PLUGGERS / CORE AERATORS – MEDIUM-DUTY

PL48, PL60, PL72

FEATURES:

- Category 1
- ASAE Quick Hitch compatible
- For tractors up to 65 hp
- Heavy-duty frame with rack to hold up to 1000 lbs. of additional weight
- 3/4-inch O.D. closed spoons are case hardened and 1/8-inch thick
- 8 spoons per wheel – penetration 4-1/2 inches
- 1-1/4-inch shaft and reinforced structure allows unit to work in tough soil conditions
- Greased journal bearings (for each set of two spoon wheels) turn independently



SHOWN WITH
OPTIONAL
WATER WEIGHT KIT

Model No.	Part No.	Width (in.)	No. of Spoons	Shipping Wt. (lbs.)	Suggested List Price
PL48	PL48	48	64	570	\$ 3,170.00
PL60	PL60	60	96	676	3,768.00
PL72	PL72	72	96	695	4,236.00

ACCESSORIES

Part No.	Description	Shipping Wt. (lbs.)	Suggested List Price
1011306	Water Weight Kit (Two 26 gallon tanks – adds approx. 500 lbs.)	148	\$ 631.00
1002019	Category 1, Quick Hitch Bushing Kit	2	46.00
1023325	TQH1 Category 1 Quick Hitch (Includes bushings)	75	355.00

POST HOLE DIGGERS – STANDARD-, MEDIUM- & HEAVY-DUTY

3-Point Hitch Mechanical Drive for Tractors, PTO Driven – TPD25, TPD35, TPD65, TPD95

FEATURES:

TPD25: Standard-Duty – Fits Category 1 & Limited Category 1 (sub-compact) or Category 0, 14 – 25 hp tractors

TPD35: Standard-Duty – Category 1, 20 – 35 hp tractors

TPD65: Medium-Duty – Category 1 or Category 2, 25 – 65 hp tractors

TPD95: Heavy-Duty – Category 1 or Category 2, 35 – 95 hp tractors

Positioning handle standard on all models

Tapered roller bearings and spring-loaded seals on gearbox – 6-year warranty

Shear bolt protected PTO (540 rpm), safety shields, manual tube

3 Boom positions on TPD25, TPD35 & TPD65; 1 boom position on TPD95

Options: Down Force Kits, Parking Stands, 6" to 30" Standard Augers, 18" or 24" Pilot Augers, Auger Extension



POST HOLE DIGGERS (Augers are ordered and priced separately)

Model No.	Woods® Orange Part No.	Green Part No.*	Description	Shipping Wt. (lbs.)	Suggested List Price
TPD25	1035525	1035525JD	Standard-duty post hole digger for sub-compact and compact tractors includes 3:1 ratio gearbox, drive shaft, boom, 3-point arch, positioning handle	140	\$ 1,035.00
TPD35	1035535	1035535JD	Standard-duty post hole digger includes 3:1 ratio gearbox, drive shaft, boom, 3-point arch, positioning handle	146	1,070.00
TPD65	1035565	1035565JD	Medium-duty post hole digger includes 3.18:1 ratio gearbox, drive shaft, boom, 3-point arch, positioning handle	194	1,341.00
TPD95	1035595	1035595JD	Heavy-duty post hole digger includes 4.1:1 ratio gearbox, drive shaft, boom, 3-point arch, positioning handle	238	1,673.00

* Painted to match John Deere® tractors.

AUGERS

Standard-Duty for TPD25 (Double flighted on first turn)

Part No.	Description	Shipping Wt. (lbs.)	Suggested List Price
1036100	6" Diameter Semi-Double Flight Auger (36" length – spiral point)	27	\$ 206.00
1036102	9" Diameter Semi-Double Flight Auger (36" length – spiral point)	36	232.00
1036104	12" Diameter Semi-Double Flight Auger (36" length – spiral point)	49	258.00

Standard-Duty for TPD35 (Double flighted on first turn) – Not recommended for commercial use

1036106	6" Diameter Semi-Double Flight Auger (48" length – spiral point)	34	\$ 273.00
1036108	9" Diameter Semi-Double Flight Auger (48" length – spiral point)	46	315.00
1036110	12" Diameter Semi-Double Flight Auger (48" length – spiral point)	63	366.00
1036112	18" Diameter Semi-Double Flight Auger (48" length – spiral point)	92	464.00

Heavy-Duty for TPD35, TPD65 & TPD95 with Spiral Center Point

1036114	6" Diameter Double Flight Auger (48" length)	38	\$ 315.00
1036116	9" Diameter Double Flight Auger (48" length)	55	387.00
1036118	12" Diameter Double Flight Auger (48" length)	78	464.00
1036120	18" Diameter Double Flight Auger (48" length – not recommended for TPD35)	110	721.00
1036122	24" Diameter Double Flight Auger (48" length – not recommended for TPD35)	111	927.00
1036124	30" Diameter Double Flight Auger (48" length – recommended for TPD95 ONLY)	178	1,339.00

NOTE: All augers are for 2-inch outside diameter output shafts, retained by two 1/2-inch bolts 90 degrees apart for better power transfer. All cutting teeth are high carbon, alloy steel that is hard-surfaced for longer life. Fish tail center point helps pull auger into the ground.

POST HOLE DIGGERS – STANDARD-, MEDIUM- & HEAVY-DUTY

3-Pt. Hitch Mech. Drive for Tractors, PTO Driven – TPD25, TPD35, TPD65, TPD95 (Cont.)

PILOT AUGERS

For TPD65 & TPD95 (Ideal for planting shrubs, bushes, and trees)

Part No.	Description	Shipping Wt. (lbs.)	Suggested List Price
1036126	18" Diameter Heavy-Duty Double Flight Auger with 9" Pilot (48" length)	86	\$ 618.00
1036128	24" Diameter Heavy-Duty Double Flight Auger with 12" Pilot (48" length)	130	804.00

NOTE: Pilot augers dig a smaller diameter pilot hole at the bottom. All augers are for 2-inch outside diameter output shafts, retained by two 1/2-inch bolts 90 degrees apart for better power transfer.

POST HOLE DIGGER AND AUGER ACCESSORIES

Part No.	Description	Shipping Wt. (lbs.)	Suggested List Price
1009324	Parking Stand – TPD25	11	\$ 148.00
1009334	Parking Stand – TPD35 & TPD65	13	148.00
1009392	Parking Stand – TPD95	13	148.00

Down Force Kits help provide extra down pressure of 350 – 500 lbs. on the auger for easier digging in tough conditions. Includes hydraulic cylinders and hoses.

1009336	Down Force Kit – TPD25 & TPD35	36	\$ 605.00
1009366	Down Force Kit – TPD65 & TPD95	37	648.00
1009333	12" Auger Extension w/Guard – All models (Use only one extension)	20	\$ 266.00
1009326	Pin Kit for Category 0 Tractors – TPD25	2	\$ 17.00
1003831	Category 2 Bushing Kit – TPD35, TPD65 & TPD95	1	▲

Kits shown below are skin packaged for shelf display.

1009353	Shear Bolt Kit (Grade 2 hex head bolt with nuts and washers) – TPD25 & TPD35	1	▲
1009391	Shear Bolt Kit (Grade 2 hex head bolt with nuts and washers) – TPD65 & TPD95	1	▲
1036170	Spiral Point	3	▲

RECOMMENDED AUGER USES

Standard-Duty Augers: lighter soils free of stones, roots, etc.

Heavy-Duty Double Flight Augers: loose soils that flow, such as sand or gravel – help carry soil to the surface.

WOODS® POWER RAKES – STANDARD- & MEDIUM-DUTY

Single Roller for Tractors – TPR60, TPR72, TPR84

FEATURES:

TPR60 & TPR72: Category 1 hitch, #80 single high-tensile continuous roller chain

TPR84: Category 1 or 2 hitch, #80 double high-tensile continuous roller chain

Rotor Direction: Forward and reverse

Sabre Teeth Rotor: 10" overall diameter with 2.0" square alloy steel sabre teeth

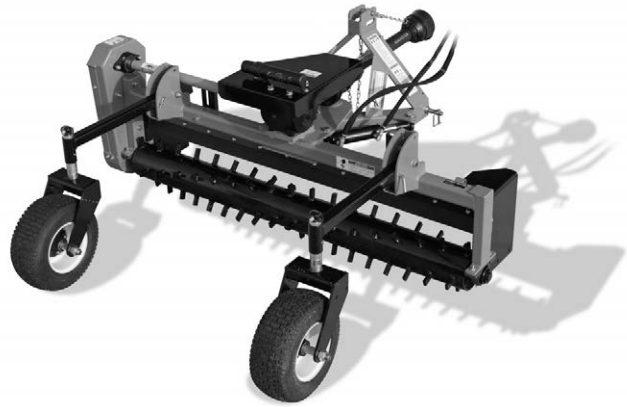
Carbide Teeth Rotor: 9.5" overall diameter with 1.75" carbide tipped teeth

Material Control Bar: Adjustable height, single rubber faced

Rotor Bearings: 1.5" triple sealed roller bearings

Standard mechanical angle (straight, left or right)

Optional Accessories: Hydraulic angle kits and side shield extensions



TRACTOR MOUNTED

Model No.	Part No.	Description	Horsepower Required	Width (in.)	Length (in.)	Height (in.)	Shipping Wt. (lbs.)	Suggested List Price
TPR60	1035338	60" Tractor Power Rake – Sabre Teeth Rotor	20 – 30	60	68.2	36.8	785	\$ 9,204.00
TPR60	1035341	60" Tractor Power Rake – Carbide Teeth Rotor	20 – 30	60	68.2	36.8	785	9,716.00
TPR72	1035352	72" Tractor Power Rake – Sabre Teeth Rotor	25 – 35	72	68.2	36.8	809	10,901.00
TPR72	1035360	72" Tractor Power Rake – Carbide Teeth Rotor	25 – 35	72	68.2	36.8	809	11,506.00
TPR84	1035362	84" Tractor Power Rake – Sabre Teeth Rotor	38 – 48	84	81.5	38.25	1160	11,931.00
TPR84	1035363	84" Tractor Power Rake – Carbide Teeth Rotor	38 – 48	84	81.5	38.25	1160	12,588.00

ACCESSORIES

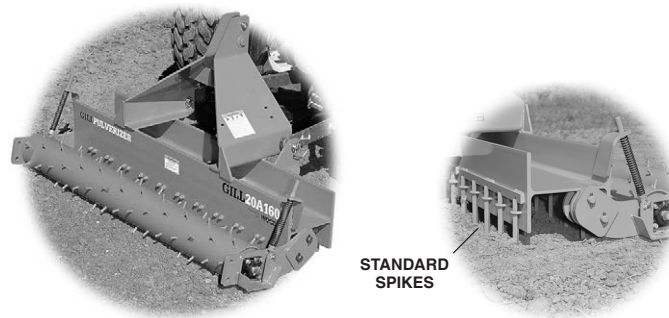
Part No.	Description		
1023325	TQH1 Category 1 Quick Hitch (Includes bushings)	75	\$ 355.00
1023725	ASAE Category 1 Quick Hitch Bushing Kit	1	28.00
360985	Side Shield Extension Kit	18	196.00
360915	Hydraulic Angle Kit, TPR60 & TPR72	14	480.00
360905	Hydraulic Angle Kit, TPR84	28	480.00

PULVERIZERS – STANDARD-DUTY

20A Series – 20A148, 20A160

FEATURES:

- Category 1
- For tractors up to 45 hp
- ASAE Quick Hitch compatible
- 10-inch wide flange H-beam
- High-carbon steel pins welded into roller
- 5/8-inch x 8-inch hardened steel spikes
- Self-aligning 1-inch bearings
- Two 150 lb. compression springs force pins into soil
- Add roller kit to any model to create double roller unit
- 20A148 is for use on sub-compact tractors



Model No.	Description	Width (in.)	Shipping Wt. (lbs.)	Suggested List Price
20A148	With spikes – Fits sub-compact tractors	48	560	\$ 2,019.00
20A160	With spikes	60	653	2,222.00

ACCESSORIES

Part No.	Used On	Description	Width (in.)	Shipping Wt. (lbs.)	Suggested List Price
1003832	All Models	Category 1, Quick Hitch Bushing Kit (Also converts Cat. 1 hitch to Cat. 2)	—	2	\$ 163.00
1010775	20A148	Hitch Kit – allows fit to sub-compact tractors for improved lift height (For SN 967826 and above)	—	2	76.00
1003710 *	20A148	Roller Kit – includes two 75 lb. compression springs (Adds 2nd roller)	48	165	827.00
1003711	20A160	Roller Kit – includes two 75 lb. compression springs (Adds 2nd roller)	60	193	931.00
1023325	All Models	TQH1 Category 1 Quick Hitch (Includes bushings)	—	75	355.00

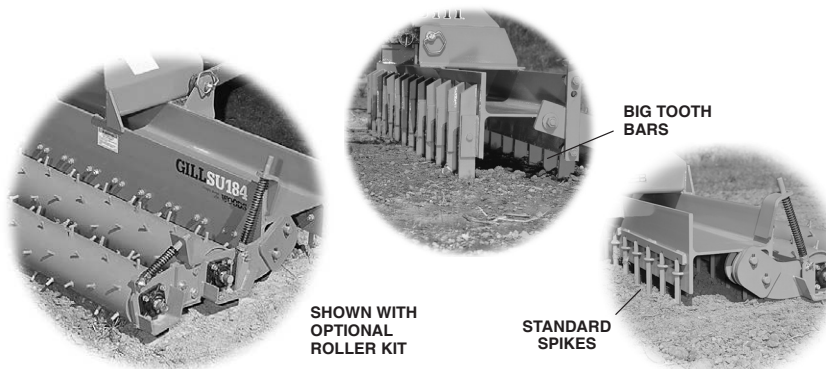
* NOTE: Not for use on sub-compact tractor.

PULVERIZERS – HEAVY-DUTY

SU Series – SU172, SU184, SU172BT, SU184BT

FEATURES:

- Category 1
- For tractors up to 65 hp
- ASAE Quick Hitch compatible
- 12-inch wide flange H-beam
- High-carbon steel pins welded into roller
- 5/8-inch x 8-inch hardened steel spikes
- Self-aligning 1-inch bearings
- Two 150 lb. compression springs force pins into soil
- Add roller kit to any model to create double roller unit
- BT (Big Tooth) models incorporate 1/2-inch x 2-inch x 13-inch hardened steel bars on frame



Model No.	Description	Width (in.)	Shipping Wt. (lbs.)	Suggested List Price
SU172	With spikes	72	766	\$ 2,695.00
SU184	With spikes	84	850	3,174.00
SU172BT Big Tooth	With bar	72	840	2,817.00
SU184BT Big Tooth	With bar	84	917	3,293.00

ACCESSORIES

Part No.	Used On	Description	Width (in.)	Shipping Wt. (lbs.)	Suggested List Price
1003832	All Models	Category 1, Quick Hitch Bushing Kit (Also converts Cat. 1 hitch to Cat. 2)	—	2	\$ 163.00
1023325	All Models	TQH1 Category 1 Quick Hitch (Includes bushings)	—	75	355.00
1003712	SU172 & BT	Roller Kit – includes two 75 lb. compression springs (Adds 2nd roller)	72	210	1,048.00
1003713	SU184 & BT	Roller Kit – includes two 75 lb. compression springs (Adds 2nd roller)	84	235	1,148.00

QUICK HITCH

TQH1

FEATURES:

Width: 27-1/4"
 Color: Black
 Weight: 75 lbs.
 Heavy-duty steel construction
 For Category 1 tractors with 3-point hitch
 Adjustable top link ball bracket

7/8" mounting pins and adapter bushings
 Lower arms lock automatically
 Allows fast, easy attachment and release of implements
 Designed to ASAE Quick Hitch standards



Model No.	Part No.	Description	Shipping Wt. (lbs.)	Suggested List Price
TQH1	1023325	Quick Hitch, Category 1 (Fits most tractors)	75	\$ 355.00
—	1023725	Bushing Adapter Kit, Category 1 (For additional implements)	1	28.00

REAR BLADES – STANDARD-DUTY

RBS Series

RBS54/60/72 (BASIC) FEATURES:

Limited Category 1 & Category 1 tractors, up to 30 hp
 Moldboard: 12" tall x 3/16" thick
 Reversible Cutting Edge: 6" tall x 3/8" thick
 Pivot Angle:
 Forward – 5 @ 15°,
 Reverse – 5 @ 15°
 Pivot Bolt Diameter: 1" (grade 8)
 Optional skid shoes and parking stand
 ASAE Quick Hitch Compatible



RBS60P/72P/84P (PREMIUM) FEATURES:

Category 1 tractors, 20 – 45 hp
 Moldboard: 15" tall, 1/4" thick
 Reversible Cutting Edge: 6" tall x 1/2" thick
 Pivot Angle:
 Forward – 5 @ 15°,
 Reverse – 5 @ 15°
 Pivot Bolt Diameter: 1-1/4" (grade 8)
 Tilt: up to 15°
 Offset: up to 12" left or right
 Optional end plates, skid shoes and parking stand
 ASAE Quick Hitch Compatible



Model No.	Part No.	Description	Width	Shipping Wt. (lbs.)	Suggested List Price
RBS54	103734054	54" Rear Blade (Basic) with manual angle adjustment	54	134	\$ 453.00
RBS60	103734060	60" Rear Blade (Basic) with manual angle adjustment	60	142	509.00
RBS72	103734072	72" Rear Blade (Basic) with manual angle adjustment	72	156	555.00
RBS60P	103734560	60" Rear Blade (Premium) with manual angle, tilt and offset adjustments	60	268	839.00
RBS72P	103734572	72" Rear Blade (Premium) with manual angle, tilt and offset adjustments	72	288	956.00
RBS84P	103734584	84" Rear Blade (Premium) with manual angle, tilt and offset adjustments	84	308	1,060.00

ACCESSORIES

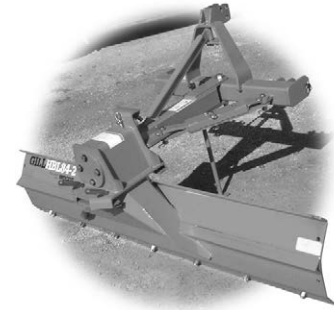
Part No.	Used On	Description	Shipping Wt. (lbs.)	Suggested List Price
1004646	All	Basic Skid Shoe Kit	11	\$ 53.00
18300	All	Premium Skid Shoe Kit	36	246.00
1037480	RBS54/60/72	Parking Stand	10	80.00
1037450	RBS60P/72P/84P	Parking Stand	10	80.00
1037348	RBS60P/72P/84P	End Plate Kit	36	114.00
55094	RBS54/60/72	Category 0 Hitch Pin Kit	2	60.00
1023325	All	TQH1 Category 1 Quick Hitch (Includes bushings)	75	355.00
26227	All	Category 1 Quick Hitch Bushing Kit (Also converts Category 1 hitch to Category 2)	2	124.00

REAR BLADES – MEDIUM-DUTY

HBL Series – HBL72-2, HBL84-2, HBL96-2

FEATURES:

- Category 1 & 2, for 30 – 75 hp tractors
- 5 forward and 5 backfill angles (to 45°)
- 6 offset positions
- ASAE Quick Hitch compatible
- 5/16-inch curved moldboard, 18 inches high
- 1/2-inch x 6-inch reversible, beveled, hardened cutting edge
- Standard parking stand



Model No.	Woods® Orange Part No.	Kubota® Orange Part No.	Description	Shipping Wt. (lbs.)	Suggested List Price
HBL72-2	1002901	1002901KO	6' Wide Rear Blade	530	\$ 1,804.00
HBL84-2	1002902	1002902KO	7' Wide Rear Blade	565	1,927.00
HBL96-2	1002903	1002903KO	8' Wide Rear Blade	600	2,029.00

ACCESSORIES

Part No.	Used On	Description	Shipping Wt. (lbs.)	Suggested List Price
1001533	All HBL	Tail Wheel Assembly (1), with mounting hardware	126	\$ 487.00
1001531	All HBL	End Plates (2), includes hardware, fits new HBL moldboards with pre-drilled holes	33	147.00
1002011	All HBL	Category 1, Quick Hitch Bushing Kit (Also converts Category 1 hitch to Category 2)	5	73.00
18300	All HBL	Skid Shoe Bundle (2), with mounting brackets and hardware	36	246.00
1009297	All HBL	Owners Manual Tube Kit	1	30.00
1023325	All HBL	TQH1 Category 1 Quick Hitch (Includes bushings)	75	355.00
1004696	All HBL	Hydraulic Offset Kit, with 65" hose and 3" cylinder	23	402.00

REAR BLADES – HEAVY-DUTY

RB Series – RB750, RB850, RB990, RB1010

RB750 & RB850 FEATURES:

Category 2

For 50 – 100 hp tractors (10,000 lbs. max.)

ASAE Quick Hitch compatible

17-inch high, reinforced moldboard

1/2-inch x 6-inch reversible, beveled, hardened cutting edge

Standard parking stand



RB750/RB850 SERIES

RB990 & RB1010 FEATURES:

Category 2 & 3

For 80 – 150 hp tractors

ASAE Quick Hitch compatible

18-inch high, reinforced moldboard

1/2-inch x 6-inch reversible, beveled, hardened cutting edge

Dozer-type, fully boxed moldboard construction

Standard parking stand



RB990/RB1010 SERIES
SHOWN WITH OPTIONAL TAIL WHEEL

REAR GRADING BLADES

7-foot Rear Blades (RB750)

Model No.	Part No.	Description	Shipping Wt. (lbs.)	Suggested List Price
RB750H	1004866	Equipped with hydraulic cylinders for remote control of angle, offset and tilt functions	1193	\$ 5,477.00
RB750M	1004864	Equipped with manual control of angle, offset and tilt functions	985	3,797.00
RB750MA	1004865	Equipped with hydraulic angle function, manual control of offset and tilt functions	1080	4,423.00
RB750MT	1005005	Equipped with hydraulic tilt function, manual control of angle and offset functions	1029	4,163.00
RB750SA	1005006	Equipped with hydraulic angle and offset functions, manual control of tilt function	1151	5,111.00
RB750TA	1005007	Equipped with hydraulic angle and tilt functions, manual control of offset function	1124	4,819.00

8-foot Rear Blades (RB850)

RB850H	1004869	Equipped with hydraulic cylinders for remote control of angle, offset and tilt functions	1233	\$ 5,622.00
RB850M	1004867	Equipped with manual control of angle, offset and tilt functions	1025	3,943.00
RB850MA	1004868	Equipped with hydraulic angle function, manual control of offset and tilt functions	1120	4,571.00
RB850MT	1005008	Equipped with hydraulic tilt function, manual control of angle and offset functions	1069	4,308.00
RB850SA	1005009	Equipped with hydraulic angle and offset functions, manual control of tilt function	1191	5,258.00
RB850TA	1005010	Equipped with hydraulic angle and tilt functions, manual control of offset function	1164	4,966.00

9-foot Rear Blades (RB990)

RB990H	1004901	Equipped with hydraulic cylinders for remote control of angle, offset and tilt functions	1730	\$ 8,243.00
RB990MA	1004900	Equipped with manual frame offset and hydraulic controlled moldboard angle	1631	6,797.00

10-foot Rear Blades (RB1010)

RB1010H	1004903	Equipped with hydraulic cylinders for remote control of angle, offset and tilt functions	1757	\$ 8,472.00
RB1010MA	1004902	Equipped with manual frame offset and hydraulic controlled moldboard angle	1658	7,010.00

ACCESSORIES

Part No.	Used On	Description	Shipping Wt. (lbs.)	Suggested List Price
1004873	RB750H & 850H	Selector Valve Kit: for RB750H & RB850H models only	20	\$ 502.00
22658	RB750 & 850	End Plates (Pair), with hardware	39	159.00
18296	RB750 & 850	Skid Shoes (Pair), with hardware	34	253.00
18295	RB750 & 850	Category 2, Quick Hitch Bushing Kit (Also converts Category 2 hitch to Category 3)	1	46.00
28775	RB750 & 850	Tail Wheel Kit, includes hardware	153	1,374.00
1004909	RB990H & 1010H	Selector Valve Kit: for RB990H & RB1010H models only	20	502.00
29399	RB990 & 1010	Tail Wheel: includes top link float kit	175	1,362.00

ROTARY TILLERS – STANDARD-DUTY

TS & TSR Series

FEATURES:

Limited Category 1 & Category 1
Quick Hitch compatible
For tractors up to 30 hp
Adjustable skid shoes
540 rpm PTO
240 rpm rotor shaft
Forward or reverse rotation
#80 chain in enclosed oil bath,
case with drain plug
Four “C” tines per flange; units
accommodate six “C” or “L” tines
7” maximum tilling depth

Tilling widths available:
44”, 52” and 60”
Slip clutch drive standard
Convertible side shift:
TS & TSR 44 – 7.5”
TS & TSR 52 – 11.5”
TS & TSR 60 – 15.5”
3-year gearbox warranty

Options:

Colors to match most tractors
Six tines per flange (field installed)



FORWARD ROTATION TILLERS

Model No.	Tilling Width (in.)	No. of Tines/Flanges	Woods® Orange Part No.	Orange ¹ Part No.*	Vibrant Blue ² Part No.*	Green ³ Part No.*	Red ⁴ Part No.*	Shipping Wt. (lbs.)	Suggested List Price
TS44	44	20/5	TS44BO	TS44KO	TS44VB	TS44JD	TS44RD	497	\$ 2,616.00
TS52	52	24/6	TS52BO	TS52KO	TS52VB	TS52JD	TS52RD	512	2,751.00
TS60	60	28/7	TS60BO	TS60KO	TS60VB	TS60JD	TS60RD	534	2,886.00

* Painted colors to match ¹ Kubota®, ² New Holland®, ³ John Deere® and ⁴ Case® tractors.

REVERSE ROTATION TILLERS

Model No.	Tilling Width (in.)	No. of Tines/Flanges	Woods Orange Part No.	Orange ¹ Part No.*	Vibrant Blue ² Part No.*	Green ³ Part No.*	Red ⁴ Part No.*	Shipping Wt. (lbs.)	Suggested List Price
TSR44	44	20/5	TSR44BO	TSR44KO	TSR44VB	TSR44JD	TSR44RD	502	\$ 2,730.00
TSR52	52	24/6	TSR52BO	TSR52KO	TSR52VB	TSR52JD	TSR52RD	517	2,862.00
TSR60	60	28/7	TSR60BO	TSR60KO	TSR60VB	TSR60JD	TSR60RD	539	3,081.00

* Painted colors to match ¹ Kubota, ² New Holland, ³ John Deere and ⁴ Case tractors.

TINE KITS (Converts Tiller to Six Tines per Flange)

Part No.	Used On	Description	Shipping Wt. (lbs.)	Suggested List Price
1032440	TS44/TSR44	6-Tine Conversion Kit	20	\$ 125.00
1032441	TS52/TSR52	6-Tine Conversion Kit	24	143.00
1032442	TS60/TSR60	6-Tine Conversion Kit	28	180.00

ACCESSORIES

Part No.	Description	Shipping Wt. (lbs.)	Suggested List Price
1023325	TQH1 Category 1 Quick Hitch (Includes bushings)	75	\$ 355.00
1023725	ASAE Category 1 Quick Hitch Bushing Kit**	1	28.00

** TS Series Tillers using quick hitches may require a longer driveline.

ROTARY TILLERS – STANDARD-DUTY

TC & TCR Series

FEATURES:

Category 1
 Quick Hitch compatible
 For tractors up to 45 hp
 Adjustable skid shoes
 540 rpm PTO
 240 rpm rotor shaft
 Forward or reverse rotation
 #80 chain in enclosed oil bath, case with drain plug
 Six "C" tines per flange; units accommodate six "C" or "L" tines
 7.5" maximum tilling depth

Tilling widths available:
 60", 68" and 74"
 Slip clutch drive standard
 Convertible side shift:
 TC & TCR 60 – 15.5"
 TC & TCR 68 – 19.5"
 TC & TCR 74 – 22.5"
 6-year gearbox warranty
Option:
 Colors to match most tractors



FORWARD ROTATION TILLERS

Model No.	Tilling Width (in.)	No. of Tines/Flanges	Woods® Orange Part No.	Orange ¹ Part No.*	Vibrant Blue ² Part No.*	Green ³ Part No.*	Red ⁴ Part No.*	Shipping Wt. (lbs.)	Suggested List Price
TC60	60	42/7	TC60BO6	TC60KO6	TC60VB6	TC60JD6	TC60RD6	664	\$ 3,660.00
TC68	68	48/8	TC68BO6	TC68KO6	TC68VB6	TC68JD6	TC68RD6	711	3,835.00
TC74	74	54/9	TC74BO6	TC74KO6	TC74VB6	TC74JD6	TC74RD6	742	3,991.00

* Painted colors to match ¹ Kubota®, ² New Holland®, ³ John Deere® and ⁴ Case® tractors.

REVERSE ROTATION TILLERS

Model No.	Tilling Width (in.)	No. of Tines/Flanges	Woods Orange Part No.	Orange ¹ Part No.*	Vibrant Blue ² Part No.*	Green ³ Part No.*	Red ⁴ Part No.*	Shipping Wt. (lbs.)	Suggested List Price
TCR60	60	42/7	TCR60BO6	TCR60KO6	TCR60VB6	TCR60JD6	TCR60RD6	671	\$ 3,746.00
TCR68	68	48/8	TCR68BO6	TCR68KO6	TCR68VB6	TCR68JD6	TCR68RD6	718	3,913.00
TCR74	74	54/9	TCR74BO6	TCR74KO6	TCR74VB6	TCR74JD6	TCR74RD6	749	4,105.00

* Painted colors to match ¹ Kubota, ² New Holland, ³ John Deere and ⁴ Case tractors.

ACCESSORIES

Part No.	Description	Shipping Wt. (lbs.)	Suggested List Price
1023325	TQH1 Category 1 Quick Hitch (Includes bushings)	75	\$ 355.00
1023725	ASAE Category 1 Quick Hitch Bushing Kit	1	28.00

ROTARY TILLERS – MEDIUM- & HEAVY-DUTY

GHT60, GHT72 / SGT72, SGT80, SGT88

GHT & SGT SERIES FEATURES:

- 540 rpm gearbox, cast iron housing with beveled gears
- Tapered roller bearings
- Side-mounted gearcase has hardened teeth sprockets with splined center in enclosed oil bath
- Approximately 7 inches between flanges
- PTO slip clutch
- Reinforced A-frames for longer life
- Adjustable rear deflector shield leaves a smooth dirt finish
- Maximum tilling depth 7-3/4 inches
- Contains guard on rotor shaft to prevent binding on end bearing
- Four “C” tines per flange; units accommodate six “C” or “L” tines
- Parking stand for ease of attachment to or detachment from mower



MEDIUM-DUTY GHT SERIES FEATURES:

- Category 1
- For tractors up to 50 hp
- 4-position adjustable skid shoes and adjustable lower hitch clevises

HEAVY-DUTY SGT SERIES FEATURES:

- Category 2
- For tractors up to 70 hp
- Adjustable skid shoes with replaceable wear plates

MEDIUM-DUTY GHT SERIES

Model No.	Part No.	Width Between End Plates (in.)	No. of Tines/Flanges	Horsepower Range	Shipping Wt. (lbs.)	Suggested List Price
GHT60	GHT60	59	28/7	30 – 50	649	\$ 5,514.00
GHT72	GHT72	70	36/9	30 – 50	726	5,824.00

HEAVY-DUTY SGT SERIES

SGT72	SGT72	70	36/9	40 – 70	951	\$ 7,478.00
SGT80	SGT80	78	40/10	40 – 70	1052	7,957.00
SGT88	SGT88	86	44/11	40 – 70	1115	8,540.00

TINES FOR GHT & SGT SERIES

Part No.	Used On	Description	No. of Tines	Shipping Wt. (lbs.)	Suggested List Price
1302177	GHT Series	RH C, standard speed tine	1	3	▲
1302178	GHT Series	LH C, standard speed tine	1	3	▲
1302179	GHT Series	RH L, optional angular tine	1	3	▲
1302180	GHT Series	LH L, optional angular tine	1	3	▲
100077	SGT Series	RH C, standard speed tine	1	3	▲
100078	SGT Series	LH C, standard speed tine	1	3	▲
100079	SGT Series	RH L, optional angular tine	1	3	▲
100080	SGT Series	LH L, optional angular tine	1	3	▲

SEEDERS

Hunting Edition Precision Super Seeders – PSS48, PSS60, PSS72, PSS84

FEATURES & SPECIFICATIONS:

Ideal for landscapers renovating turf and for hunters planting food plots

Tractor Engine HP Range:

PSS48: 25 – 40 hp
 PSS60: 30 – 45 hp
 PSS72: 30 – 75 hp
 PSS84: 35 – 85 hp

Tractor Hitch: Category 1 and 2

Working Width (in.): 49", 60", 72", 84"

Drive Type: ground driven

Seed Metering: Fluted

Seed Cups: 7, 8, 10, 12

Seed Box Ratio: 2-speed
 (2 additional available)

Cool Season Seed Box Capacity (bu.):
 4.00, 5.00, 6.00, 7.00

Legume Seed Box Capacity (bu.):
 1.00, 1.25, 1.50, 1.75

Seed Cup Spacing: 7"

Front Roller Spikes: 0.5" x 2" carbide steel

ASAE Quick Hitch Compatible



PSS60
HUNTING EDITION SEEDER

HUNTING EDITION PRECISION SUPER SEEDER (Factory-Installed; pre-configured for food plots)

Model No.	Part No.	Description	Width (in.)	Shipping Wt. (lbs.)	Suggested List Price
PSS48	1036448DLC	48" Frame Seeder, Rear Spiked Roller, Cool Season Seed Box with 7" Spacing, Front 18" Notched Disc Blades with 7.5" Spacing, Legume Seed Box with 7" Spacing and Cast Iron Notched Cultipacker with 2.3" Spacing	48	1263	\$ 8,584.00
PSS60	1036460DLC	60" Frame Seeder, Rear Spiked Roller, Cool Season Seed Box with 7" Spacing, Front 18" Notched Disc Blades with 7.5" Spacing, Legume Seed Box with 7" Spacing and Cast Iron Notched Cultipacker with 2.3" Spacing	60	1442	9,568.00
PSS72	1036472DLC	72" Frame Seeder, Rear Spiked Roller, Cool Season Seed Box with 7" Spacing, Front 18" Notched Disc Blades with 7.5" Spacing, Legume Seed Box with 7" Spacing and Cast Iron Notched Cultipacker with 2.3" Spacing	72	1621	10,816.00
PSS84	1036484DLC	84" Frame Seeder, Rear Spiked Roller, Cool Season Seed Box with 7" Spacing, Front 18" Notched Disc Blades with 7.5" Spacing, Legume Seed Box with 7" Spacing and Cast Iron Notched Cultipacker with 2.3" Spacing	84	1800	12,343.00

MISCELLANEOUS (Dealer-Installed Optional Accessories)

Refer to Section 5 on page LE20 for Miscellaneous Accessories.



Woods Precision Super Seeder Hunting Edition includes cool season and legume seed boxes, front disc blades and a cast iron cultipacker. In one pass you can break up the ground, plant two types of seeds at two different depths and finish with firming the seed bed for perfect seed-to-soil contact.

A Top-quality Plot Seeder for Top-scoring Trophy Bucks

Backed by a full-line of land management attachments

If you are a hunter, you know that food plot management is the key to developing top-quality whitetails and top-scoring trophies.

Your Woods dealer can help you choose all the attachments you need for your land management and food plot projects. And, if you decide to add an accessory or need help with routine maintenance, that dealer is there to service your equipment and keep it running at the height of performance.

Visit your Woods dealer to see our full line of rotary cutters, tillers, disc harrows and more. To find your nearest dealer visit woodsequipment.com.

SEEDERS (Continued)

Precision Super Seeders – PSS48, PSS60, PSS72, PSS84

FEATURES & SPECIFICATIONS:

Ideal for landscapers renovating turf and for hunters planting food plots

Tractor Engine HP Range:

PSS48: 25 – 40 hp

PSS60: 30 – 45 hp

PSS72: 30 – 75 hp

PSS84: 35 – 85 hp

Tractor Hitch: Category 1 and 2

Working Width (in.): 49", 60", 72", 84"

Drive Type: ground driven

Seed Metering: Fluted and Picker Wheel

Seed Cups: 7, 8, 10, 12

Seed Box Ratio: 2-speed
(2 additional available)

Cool Season Seed Box Capacity (bu.):
4.00, 5.00, 6.00, 7.00

Native Warm Season Grass Seed Box
Capacity (bu.): 5.00, 6.25, 7.50, 8.75

Legume Seed Box Capacity (bu.):
1.00, 1.25, 1.50, 1.75

Seed Cup Spacing: 7"

Front Roller Spikes: 0.5" x 2" carbide steel

ASAE Quick Hitch Compatible



BASE PSS60 SEEDER WITH COOL SEASON SEED BOX AND FRONT SPIKED ROLLERS

To order a Precision Super Seeder, choose a Base Unit from Section 1. For optional accessories, add from Sections 2 – 5.

Ordering examples: 1036448RN = PSS48 Base Unit with Front Spiked Rollers and Native Warm Season Grass Seed Box

1036472DNL = PSS72 Base Unit with Disc Blades, Native Warm Season Grass Seed Box and Legume Seed Box

1036484RLC = PSS84 Base Unit with Front Spiked Rollers, Legume Seed Box and Cultipacker

SECTION 1: BASE UNIT INCLUDES FRAME, REAR SPIKED ROLLER AND COOL SEASON SEED BOX (Factory-Installed – MUST Choose One)

Model No.	Part No.	Description	Width (in.)	Shipping Wt. (lbs.)	Suggested List Price
Base Unit with Front Spiked Rollers					
PSS48	1036448R	48" Base Unit with Front Adjustable Spiked Rollers	48	1028	\$ 5,616.00
PSS60	1036460R	60" Base Unit with Front Adjustable Spiked Rollers	60	1144	6,396.00
PSS72	1036472R	72" Base Unit with Front Adjustable Spiked Rollers	72	1257	7,436.00
PSS84	1036484R	84" Base Unit with Front Adjustable Spiked Rollers	84	1372	8,736.00
Base Unit with Front Disc Blades					
PSS48	1036448D	48" Base Unit with Front Adjustable 18" Notched Disc Blades with 7.5" Spacing	48	991	\$ 5,616.00
PSS60	1036460D	60" Base Unit with Front Adjustable 18" Notched Disc Blades with 7.5" Spacing	60	1110	6,396.00
PSS72	1036472D	72" Base Unit with Front Adjustable 18" Notched Disc Blades with 7.5" Spacing	72	1227	7,436.00
PSS84	1036484D	84" Base Unit with Front Adjustable 18" Notched Disc Blades with 7.5" Spacing	84	1346	8,736.00

SECTION 2: NATIVE WARM SEASON GRASS SEED BOX (Factory-Installed Optional Accessory)

Part No.	Description	Add Wt.	Add Price
Part No. above + "N" suffix	48" Native Warm Season Grass Seed Box with 7" Spacing	93	\$ 1,889.00
Part No. above + "N" suffix	60" Native Warm Season Grass Seed Box with 7" Spacing	113	1,971.00
Part No. above + "N" suffix	72" Native Warm Season Grass Seed Box with 7" Spacing	133	2,054.00
Part No. above + "N" suffix	84" Native Warm Season Grass Seed Box with 7" Spacing	153	2,162.00

SECTION 3: LEGUME SEED BOX (Factory-Installed Optional Accessory)

Part No.	Description	Add Wt.	Add Price
Part No. above + "L" suffix	48" Legume Seed Box with 7" Spacing	49	\$ 1,889.00
Part No. above + "L" suffix	60" Legume Seed Box with 7" Spacing	57	1,971.00
Part No. above + "L" suffix	72" Legume Seed Box with 7" Spacing	65	2,054.00
Part No. above + "L" suffix	84" Legume Seed Box with 7" Spacing	72	2,162.00

SECTION 4: CULTIPACKER (Factory-Installed Optional Accessory)

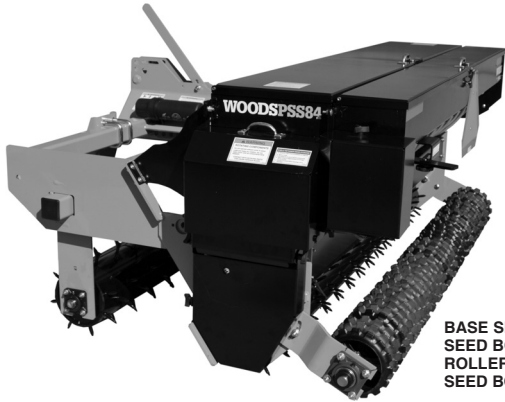
Part No.	Description	Add Wt.	Add Price
Part No. above + "C" suffix	48" Cast Iron Notched Cultipacker with 2.3" Spacing	211	\$ 1,079.00
Part No. above + "C" suffix	60" Cast Iron Notched Cultipacker with 2.3" Spacing	263	1,202.00
Part No. above + "C" suffix	72" Cast Iron Notched Cultipacker with 2.3" Spacing	316	1,326.00
Part No. above + "C" suffix	84" Cast Iron Notched Cultipacker with 2.3" Spacing	368	1,446.00

SECTION 5: MISCELLANEOUS (Dealer-Installed Optional Accessories)

Refer to page LE20 for Miscellaneous Accessories.

SEEDERS (Continued)

Precision Super Seeders – PSS48, PSS60, PSS72, PSS84



BASE SEEDER WITH COOL SEASON SEED BOX AND FRONT SPIKED ROLLERS, PLUS OPTIONAL LEGUME SEED BOX AND CULTIPACKER



BASE SEEDER WITH COOL SEASON SEED BOX AND FRONT DISC BLADES, PLUS OPTIONAL LEGUME SEED BOX, WARM SEASON SEED BOX AND CULTIPACKER

SECTION 5: MISCELLANEOUS (Dealer-Installed Optional Accessories)

For Use With	Part No.	Description	Shipping Wt. (lbs.)	Suggested List Price
PSS48	103565048	48" Front Adjustable Spiked Rollers	275	\$ 1,348.00
PSS48	103465648	48" Front Adjustable 18" Notched Disc Blades with 7.5" Spacing	238	1,348.00
PSS48	103568048	48" Native Warm Season Grass Seed Box with 7" Spacing	100	1,889.00
PSS48	1036397	Gasket Kit for 48" Native Warm Season Grass Seed Box	4	96.00
PSS48	103567848	48" Legume Seed Box with 7" Spacing	64	1,889.00
PSS48	103465548	48" Cast Iron Notched Cultipacker with 2.3" Spacing	220	1,079.00
PSS60	103565060	60" Front Adjustable Spiked Rollers	316	1,536.00
PSS60	103465660	60" Front Adjustable 18" Notched Disc Blades with 7.5" Spacing	282	1,536.00
PSS60	103568060	60" Native Warm Season Grass Seed Box with 7" Spacing	125	1,971.00
PSS60	1036398	Gasket Kit for 60" Native Warm Season Grass Seed Box	4	109.00
PSS60	103567860	60" Legume Seed Box with 7" Spacing	72	1,971.00
PSS60	103465560	60" Cast Iron Notched Cultipacker with 2.3" Spacing	275	1,202.00
PSS72	103565072	72" Front Adjustable Spiked Rollers	356	1,785.00
PSS72	103465672	72" Front Adjustable 18" Notched Disc Blades with 7.5" Spacing	326	1,785.00
PSS72	103568072	72" Native Warm Season Grass Seed Box with 7" Spacing	150	2,054.00
PSS72	1036399	Gasket Kit for 72" Native Warm Season Grass Seed Box	5	133.00
PSS72	103567872	72" Legume Seed Box with 7" Spacing	80	2,054.00
PSS72	103465572	72" Cast Iron Notched Cultipacker with 2.3" Spacing	325	1,326.00
PSS84	103565084	84" Front Adjustable Spiked Rollers	396	2,097.00
PSS84	103465684	84" Front Adjustable 18" Notched Disc Blades with 7.5" Spacing	370	2,097.00
PSS84	103568084	84" Native Warm Season Grass Seed Box with 7" Spacing	165	2,162.00
PSS84	1036400	Gasket Kit for 84" Native Warm Season Grass Seed Box	5	156.00
PSS84	103567884	84" Legume Seed Box with 7" Spacing	87	2,162.00
PSS84	103465584	84" Cast Iron Notched Cultipacker with 2.3" Spacing	375	1,446.00
All Models	1036370	Crank Handle	5	52.00
All Models	1022043	Quick Hitch Bushing Kit	1	51.00
All Models	1036395	Slow Speed Chain Drive Kit (1/2-speed)	10	345.00
All Models	1036396	Super Slow Speed Chain Drive Kit (1/4-speed)	16	593.00
All Models	1037330	Legume Seed Tube Kit	4	69.00

STUMP GRINDERS

PTO-Powered – TSG50

FEATURES:

- Category 1, 3-point hitch mount standard; Category 2 optional
- Suitable for tractors with 15 – 50 PTO horsepower
- 24 carbide steel teeth on 20-inch diameter wheel
- Bi-directional cutting for increased productivity
- 16-inch above ground clearance
- 16-inch cutting depth
- 32-inch horizontal cutting width
- Multiple options for remote hydraulic cylinder actuation
- Hub torque rating of 76 – 250 ft-lbs
- 1,037 rpm cutter wheel speed
- 5,428 fpm cutter tip speed
- 6-year gearbox warranty



Model No.	Part No.	Description	Shipping Wt. (lbs.)	Suggested List Price
TSG50	1018310	Stump Grinder (less hydraulics)	520	\$ 5,189.00

HYDRAULIC OPTIONS (Order One – Tractor must be equipped with rear remotes selector valve)

Part No.	Description	Shipping Wt. (lbs.)	Suggested List Price
1024682	Hose Kit for Multiple Port Tractor Auxiliary Valve	10	\$ 264.00
1021809	Hose & Selector Valve Kit for Single Port Tractor Auxiliary Valve (Includes mounting stand)	44	1,030.00
1021822	Hose & Electric Solenoid Valve Kit for Single Port Tractor Auxiliary Valve	23	1,823.00

NOTE: All hose kits include restrictor fittings for improved motion control.

ACCESSORIES

1023325	TQH1 Category 1 Quick Hitch (Includes bushings)	75	\$ 355.00
30006	Category 2 Mounting Pin (Order 2)	2.0	▲
1024749	Replacement Tooth Kit (24 teeth and nuts)	9.5	▲

STUMP GRINDERS

PTO-Powered – SG100

FEATURES:

- Category 1 & 2
- PTO driven, 50 – 100 hp tractors
- 25 tough carbide steel teeth on 34-inch cutting wheel
- Hydraulic cylinder raises and lowers unit up to 16 inches
- 55-degree swing arc handles stumps up to 45 inches in diameter in single pass
- Slim design and long reach operates in tight places
- One directional cutting allows more teeth to engage the stump
- Operated from the tractor seat
- Hub torque rating of 450 ft-lbs
- 895 rpm cutter wheel speed



Model No.	Part No.	Description	Teeth	Shipping Wt. (lbs.)	Suggested List Price
SG100	1002400	Stump Grinder (includes hydraulic hoses)	25	1136	\$ 10,137.00

ACCESSORIES

Part No.	Description	Shipping Wt. (lbs.)	Suggested List Price
1004500	Carbide Replacement Tooth with Bolt and Locknut, ships one per package – may be a shorter length than original tooth; lengths may be mixed with no loss of performance	1	▲
1009283	Depth Gauge Kit	5	▲

TABLE OF CONTENTS

SB Series Standard-Duty and Medium-Duty Snow Blowers for Tractors	SN2
SS Series Heavy-Duty Snow Blowers for Tractors	SN3

SNOW BLOWERS FOR TRACTORS – STANDARD- AND MEDIUM-DUTY

SB Series – SB54S & SB64S for Sub-Compact, SB74C & SB84C for Compact Tractors

SB54S & SB64S FEATURES:

- Category 1, 3-point hitch
- ASAE Quick Hitch compatible
- Single 15-inch heavy-duty feeder auger
- 5/16-inch x 2-inch flighting on feeder auger
- 4-blade, 22-inch diameter fan
- Mechanical deflector adjustment
- Replaceable, adjustable skids
- PTO, shear pin protection

SB74C & SB84C FEATURES:

- Category 1 and 2, 3-point hitch
- ASAE Quick Hitch compatible
- Single 15-inch heavy-duty feeder auger
- 5/16-inch x 2-inch flighting on feeder auger
- 4-blade, 24-inch diameter fan
- Mechanical deflector adjustment
- Replaceable, adjustable skids
- PTO, shear pin protection



Part No.	Description	Working Width (in.)	PTO Horsepower Requirements	Shipping Wt. (lbs.)	Suggested List Price
1033228	SB54S with PTO shaft – 540 rpm	54	15 – 25	561	\$ 3,474.00
1033229	SB64S with PTO shaft – 540 rpm	64	15 – 35	581	3,616.00
1033230	SB74C with PTO shaft – 540 rpm	74	30 – 50	749	4,162.00
1033231	SB84C with PTO shaft – 540 rpm	84	35 – 60	789	4,991.00

CHUTE ROTATION KIT (MUST Choose One)

1033269	Manual chute rotator, includes crank & mount			7	\$ 131.00
1033612	Hydraulic chute rotator, includes orbit motor, restrictors & hoses			23	762.00
1033732	Electric chute rotator, includes rotary actuator & wiring harness			20	1,061.00

OPTIONAL ACCESSORIES

1033731	Hydraulic chute deflector, includes cylinder, restrictors & hoses			9	\$ 546.00
1033733	Electric chute deflector, includes linear actuator (if ordered separately, also order 1034771)			3	412.00
1034771	Snow blower wiring harness			3	315.00
1022043	Category 1, Quick Hitch Bushing Kit			1	51.00

COLOR CODES (Standard color is Woods® orange) ¹

Code	Color ²
JD	John Deere® green
KO	Kubota® orange
VB	New Holland® Vibrant blue
BK	Black
RD	Red

¹ When ordering your snow blower, use the part number for the size ordered – then add color code to the end of part number.
For example: A red SB74C part number is 1033230RD.

² SNOW BLOWERS CAN ONLY BE ORDERED IN COLORS OTHER THAN WOODS ORANGE DURING THE SNOW BLOWER EARLY ORDER PROGRAM

SNOW BLOWERS FOR TRACTORS – HEAVY-DUTY

SS Series – SS84-2, SS96-2, SS108-2

SS84-2, SS96-2 & SS108-2 FEATURES:

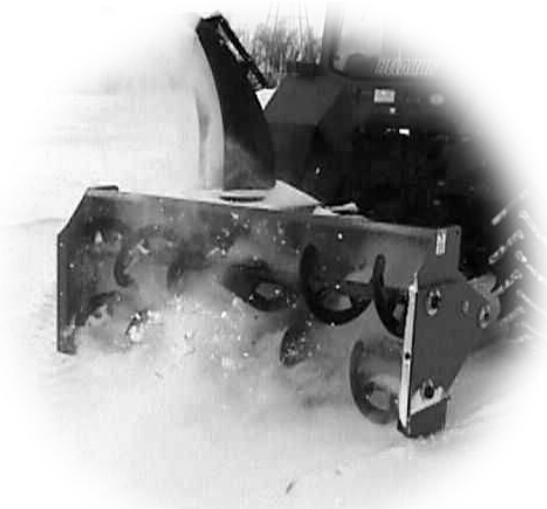
- Category 2 and 3, 3-point hitch
- ASAE Quick Hitch compatible
- 5/16-inch flighting on feeder auger(s)
- Hydraulic chute rotator included
(Hydraulic motor, hoses and couplers)
- Replaceable, beveled cutting edge

SS84-2 SINGLE AUGER FEATURES:

- Single 15-inch heavy-duty feeder auger
- 4-blade, 33-inch diameter fan
- PTO, shear pin protection

SS96-2 & SS108-2 DOUBLE AUGER FEATURES:

- Double 15-inch heavy-duty feeder augers
- 4-blade, 33-inch diameter fan;
 - Fan depth: 540 rpm = 9 inches,
 - 1000 rpm = 5.5 inches
- PTO, shear pin or clutch protection



Part No.	Description	Working Width (in.)	Horsepower Requirements	Shipping Wt. (lbs.)	Suggested List Price
1033634	SS84-2 Single Auger without PTO Shaft – 540 rpm	84	60 – 80	1395	\$ 7,438.00
1033636	SS96-2 Double Auger without PTO shaft – 540 rpm	96	80 – 150	1482	9,220.00
1033638	SS108-2 Double Auger without PTO shaft – 540 rpm	108	125 – 175	1614	10,887.00
1033637	SS96-2 Double Auger without PTO shaft – 1000 rpm	96	80 – 150	1462	9,241.00
1033639	SS108-2 Double Auger without PTO shaft – 1000 rpm	108	125 – 175	1594	10,802.00

NOTE: PTO shaft must be ordered with each SS84-2, SS96-2 and SS108-2.

PTO SHAFTS (Select One)

1029944	1-3/8" PTO shaft for models SS84-2, SS96-2 & SS108-2 – 540 rpm (shear bolt)	54	\$ 814.00
1029952	1-3/8" PTO shaft for models SS96-2 & SS108-2 – 1000 rpm (shear bolt) – Limited Quantities	54	814.00
1029953	1-3/4" PTO shaft for models SS96-2 & SS108-2 – 1000 rpm (shear bolt) – Limited Quantities	54	814.00
1029955	1-3/8" PTO shaft for models SS96-2 & SS108-2 – 1000 rpm (cut-out clutch)	71	1,327.00
1029956	1-3/4" PTO shaft for models SS96-2 & SS108-2 – 1000 rpm (cut-out clutch)	70	1,327.00

OPTIONAL ACCESSORIES

1033731	Hydraulic chute deflector, includes cylinder, restrictors & hoses	9	\$ 546.00
1033733	Electric chute deflector, includes linear actuator (also order 1034771)	3	412.00
1033984	SS84-2 double auger kit	TBD	1,014.00
1034771	Snow blower wiring harness	3	315.00
1033640	Secondary skid shoe kit	27	110.00

COLOR CODES (Standard color is Woods® orange) ¹

Code	Color ²
JD	John Deere® green
KO	Kubota® orange
VB	New Holland® Vibrant blue
BK	Black
RD	Red

¹ When ordering your snow blower, use the part number for the size ordered – then add color code to the end of part number. For example: A black SS96-2, 1000 rpm part number is 1033637BK.

² SNOW BLOWERS CAN ONLY BE ORDERED IN COLORS OTHER THAN WOODS ORANGE DURING THE SNOW BLOWER EARLY ORDER PROGRAM

TABLE OF CONTENTS

Tractor / Loader Adaptability Chart	LdrChart1 – LdrChart10
LS-, LC-, LU- and LF-Series	LdrChart1 – LdrChart10

SUB-COMPACT SERIES LOADERS

Model LS72 Quick Order	LS72QO1 – LS72QO4
Features and Specifications / Ordering Procedures	LS72QO1
Quick Order Section	LS72QO2
Completing Kits	LS72QO3
Miscellaneous / Tractor Notes	LS72QO4

Model LS72 Component Order	LS72CO1 – LS72CO6
Features and Specifications / Ordering Procedures	LS72CO1
Tractor Reference Chart	LS72CO2
Components	LS72CO3 – LS72CO5
Tractor Notes	LS72CO5

Model LS84 Quick Order	LS84QO1 – LS84QO6
Features and Specifications / Ordering Procedures	LS84QO1
Quick Order Section	LS84QO2 – LS84QO3
Completing Kits	LS84QO4 – LS84QO5
Miscellaneous / Tractor Notes	LS84QO6

Model LS84 Component Order	LS84CO1 – LS84CO8
Features and Specifications / Ordering Procedures	LS84CO1
Tractor Reference Chart	LS84CO2 – LS84CO3
Components	LS84CO4 – LS84CO7
Tractor Notes	LS84CO7

Model LS96R Quick Order	LS96RQO1 – LS96RQO4
Features and Specifications / Ordering Procedures	LS96RQO1
Quick Order Section	LS96RQO2
Components / Miscellaneous / Tractor Notes	LS96RQO3

Model LS96 Quick Order	LS96QO1 – LS96QO4
Features and Specifications / Ordering Procedures	LS96QO1
Quick Order Section	LS96QO2
Completing Kits	LS96QO3
Miscellaneous / Tractor Notes	LS96QO4

Model LS96 Component Order	LS96CO1 – LS96CO4
Features and Specifications / Ordering Procedures	LS96CO1
Tractor Reference Chart	LS96CO2
Components	LS96CO3 – LS96CO4
Tractor Notes	LS96CO4



Woods Equipment Company

LdrTOC1

Continued on next page.

TABLE OF CONTENTS (Continued)

COMPACT SERIES LOADERS

Model LC96 Quick Order	LC96QO1 – LC96QO14
Features and Specifications / Ordering Procedures	LC96QO1
Quick Order Section	LC96QO2 – LC96QO9
Completing Kits	LC96QO10 – LC96QO13
Miscellaneous / Tractor Notes	LC96QO14
Model LC96 Component Order	LC96CO1 – LC96CO10
Features and Specifications / Ordering Procedures	LC96CO1
Tractor Reference Chart	LC96CO2 – LC96CO4
Components	LC96CO5 – LC96CO10
Tractor Notes	LC96CO10
Model LC102 Quick Order	LC102QO1 – LC102QO14
Features and Specifications / Ordering Procedures	LC102QO1
Quick Order Section	LC102QO2 – LC102QO9
Completing Kits	LC102QO10 – LC102QO13
Miscellaneous / Tractor Notes	LC102QO14
Model LC102 Component Order	LC102CO1 – LC102CO10
Features and Specifications / Ordering Procedures	LC102CO1
Tractor Reference Chart	LC102CO2 – LC102CO4
Components	LC102CO5 – LC102CO10
Tractor Notes	LC102CO10
Model LC108 Quick Order	LC108QO1 – LC108QO12
Features and Specifications / Ordering Procedures	LC108QO1
Quick Order Section	LC108QO2 – LC108QO7
Completing Kits	LC108QO8 – LC108QO10
Miscellaneous / Tractor Notes	LC108QO11
Model LC108 Component Order	LC108CO1 – LC108CO10
Features and Specifications / Ordering Procedures	LC108CO1
Tractor Reference Chart	LC108CO2 – LC108CO3
Components	LC108CO4 – LC108CO9
Tractor Notes	LC108CO9
Model LC114 Quick Order	LC114QO1 – LC114QO6
Features and Specifications / Ordering Procedures	LC114QO1
Quick Order Section	LC114QO2 – LC114QO3
Completing Kits	LC114QO4
Miscellaneous / Tractor Notes	LC114QO5
Model LC114 Component Order	LC114CO1 – LC114CO6
Features and Specifications / Ordering Procedures	LC114CO1
Tractor Reference Chart	LC114CO2
Components	LC114CO3 – LC114CO6
Tractor Notes	LC114CO6

TABLE OF CONTENTS (Continued)**UTILITY SERIES LOADERS**

Model LU126 Quick Order	LU126Q01 – LU126Q014
Features and Specifications / Ordering Procedures	LU126Q01
Quick Order Section	LU126Q02 – LU126Q09
Completing Kits	LU126Q10 – LU126Q13
Miscellaneous / Tractor Notes	LU126Q14
Model LU126 Component Order	LU126C01 – LU126C10
Features and Specifications / Ordering Procedures	LU126C01
Tractor Reference Chart	LU126C02 – LU126C04
Components	LU126C05 – LU126C09
Tractor Notes	LU126C10
Model LU132 Quick Order	LU132Q01 – LU132Q08
Features and Specifications / Ordering Procedures	LU132Q01
Quick Order Section	LU132Q02 – LU132Q05
Completing Kits	LU132Q06 – LU132Q07
Miscellaneous / Tractor Notes	LU132Q08
Model LU132 Component Order	LU132C01 – LU132C08
Features and Specifications / Ordering Procedures	LU132C01
Tractor Reference Chart	LU132C02 – LU132C03
Components	LU132C04 – LU132C07
Tractor Notes	LU132C08
Model LU215 Component Order	LU215C01 – LU215C08
Features and Specifications / Ordering Procedures	LU215C01
Tractor Reference Chart	LU215C02 – LU215C03
Components	LU215C04 – LU215C07
Tractor Notes	LU215C07

Continued on next page.

TABLE OF CONTENTS (Continued)**FARM SERIES LOADERS**

Model LF138 Component Order	LF138CO1 – LF138CO6
Features and Specifications / Ordering Procedures	LF138CO1
Tractor Reference Chart	LF138CO2
Components	LF138CO3 – LF138CO5
Tractor Notes	LF138CO5
Model LF156 Component Order	LF156CO1 – LF156CO6
Features and Specifications / Ordering Procedures	LF156CO1
Tractor Reference Chart	LF156CO2
Components	LF156CO3 – LF156CO5
Tractor Notes	LF156CO5

ATTACHMENTS

Loader Attachments	LdrAttach1 – LdrAttach8
Pallet Forks	LdrAttach1
Bale Spears	LdrAttach2
Bale Clamp	LdrAttach2
Manure Forks with Grapple Fork Attachment	LdrAttach3
Weld-On Mounting Brackets	LdrAttach3
Woods [®] Alitec [™] Grapple Buckets	LdrAttach4 – LdrAttach5
John Deere [®] Loader Attachments: Optional Buckets, Pallet Forks and Bale Spear	LdrAttach6 – LdrAttach7
Kubota [®] Loader Attachments: Optional Buckets	LdrAttach7
Miscellaneous Loader Accessories	LdrAttach7

LOADERS – TRACTOR / LOADER ADAPTABILITY CHART

This chart is only to be used as a guide. For detailed information, refer to the Loader section indicated.

NOTE: Contact your Woods® representative for new series tractor mountings when not listed or Woods Equipment Company, Oregon Illinois, 1-800-319-6637 or go to dealer.woodsequipment.com.

Tractor Brand / Model	Sub-Compact Series				Compact Series				Utility Series			Farm Series	
	LS72	LS84	LS96R	LS96	LC96	LC102	LC108	LC114	LU126	LU132	LU215	LF138	LF156
AGCO®													
GT45A/GT55A									X				
GT65A/GT75A									X				
ST22A	X												
ST28A/ST33A		X											
ST34A/ST41A					X	X							
ST35 Hydro/ST40 Hydro					X	X							
ST35/ST35X/ST40/ST40X (Non-Hydro Models)					X	X							
ST45 Hydro							X						
ST45 Shuttle Shift							X						
ST47A/ST52A					X	X	X	X					
BOBCAT®													
CT225/CT230/CT235				X									
CT440/CT445/CT450					X	X							
BRANSON®													
2910/3510					X	X							
2910i/3110i/3510i					X	X							
3510h					X	X							
3820/4220/4720					X	X	X						
3820i/4220i/4720i							X						
4720h					X	X	X						
CASE IH®													
85U/95U/105U												X	
244/245/254/255					X	X							
380B									X				
385/395/485/495									X				
454/464/484/84 Hydro									X				
574									X				
584/585/595									X		X		
674									X				
684									X		X		
685											X		
695/895/995										X	X		
784/884/84 Hydro											X		
885											X		
966												X	X
986/1086													X
1066													X
1290/1294/1390/1394											X		
3220									X				
3230									X		X		
4210/4230/4240											X		

LOADERS – TRACTOR / LOADER ADAPTABILITY CHART (Continued)

Tractor Brand / Model	Sub-Compact Series				Compact Series				Utility Series			Farm Series	
	LS72	LS84	LS96R	LS96	LC96	LC102	LC108	LC114	LU126	LU132	LU215	LF138	LF156
CASE IH® (Continued)													
5120/5220											X	X	
5130/5140/5230/5240/5250												X	
C50/C60									X				
C70/C80									X		X		
C90/C100											X		
CX50/CX60									X				
CX70/CX80									X	X	X		
CX90/CX100											X		
D25/DX25/D29/DX29/DX31/D33/DX33/DX34			X		X	X							
D35/DX35/D40/D45					X	X							
DX18E/DX22E/DX24E/DX25E	X												
DX21/DX23/DX24/DX26		X											
DX29/DX31/DX33/DX34		X											
DX40/DX45					X	X	X						
DX48/DX55							X	X					
Farmall® 30B/35B					X	X							
Farmall 31/35		X	X		X	X							
Farmall 40/40B/45/50/50B					X	X							
Farmall 45/50							X						
Farmall 45A/55A							X	X					
Farmall 55/60							X	X					
Farmall 65A/65C/75A/75C									X				
Farmall 70/80									X	X			
Farmall 85/90/95									X	X			
Farmall 85C/95C									X	X			
Farmall 85U/95U/105U									X	X			
JX55/JX65 (Turbo & Non-Turbo versions)									X				
JX60/JX70									X				
JX75/JX85									X	X			
JX80/JX90									X	X			
JX80U									X		X		
JX90U/JX100U									X		X		
JX95									X	X			
JX1060C/JX1070C/JX1075C									X	X	X		
JX1080U/JX1090U/JX1100U									X	X	X	X	
JX1085C/JX1095C										X			
Maxxum 110/110Pro/120Pro/130Pro												X	
Maxxum 115/125/125Pro												X	X
Maxxum 140Pro													X
MX80C/MX90C/MX100C											X		
MXM120/MXM130/MXM140/MXM155													X
MXU100/MXU110											X	X	
MXU115												X	X
MXU125											X	X	X
MXU135											X		X

LOADERS – TRACTOR / LOADER ADAPTABILITY CHART (Continued)

Tractor Brand / Model	Sub-Compact Series				Compact Series				Utility Series			Farm Series	
	LS72	LS84	LS96R	LS96	LC96	LC102	LC108	LC114	LU126	LU132	LU215	LF138	LF156
CHALLENGER®													
MT255B		X											
MT265B/MT275B					X	X							
MT285B/MT295B					X	X	X	X					
MT425B/MT445B									X	X	X		
MT455B/MT465B											X		
CUB CADET®													
5234D/5252/5254	X												
7000/7192/7194/7195/7200/7205		X											
7252/7254/7264/7304		X											
7260/7265/7300/7305					X	X							
7360					X	X							
7530/7532					X	X							
8354					X	X	X						
8404					X	X	X						
8454					X	X	X	X					
EX2900/EX3200		X			X	X							
SC2400	X												
DUETZ-ALLIS®													
DX3.10/DX3.30/DX3.50/6240/6250/6260											X		
DX3.70/DX3.90/6265/6275											X		
DX4.70/7085											X		
FORD® & NEW HOLLAND®													
1110/1210		X											
1120/1215/1220		X											
1310/1510					X	X							
1320/1520/1620/1715			X		X	X							
1530/1630			X		X	X							
1700/1900/1900 TURF					X	X							
1710					X	X							
1720			X		X	X							
1725/1925			X		X	X							
1910/2110					X	X	X						
1920					X	X	X						
2000/3000 (1968 & Later)									X				
2120					X	X	X	X					
2310/2610/3610									X				
2600/3600									X				
2810/2910									X				
3010S									X				
3230/3430							X	X	X				
3415					X	X	X						
3910									X		X		
3930							X	X	X		X		

LOADERS – TRACTOR / LOADER ADAPTABILITY CHART (Continued)

Tractor Brand / Model	Sub-Compact Series				Compact Series				Utility Series			Farm Series	
	LS72	LS84	LS96R	LS96	LC96	LC102	LC108	LC114	LU126	LU132	LU215	LF138	LF156
FORD® & NEW HOLLAND® (Continued)													
4000 AP/4100 AP									X				
4000 SU/4600 SU/4610 SU									X				
4100/4110									X				
4600 AP/4610 AP									X				
4610/4630									X		X		
4830/5030									X		X		
4835/5635									X		X		
5000 (1965 & Later)									X				
5600/5610									X		X		
5610S/6610S									X		X		
5640/6640									X		X		
5900									X		X		
6600/6610									X		X		
6635/7635									X		X		
6700/6710											X		
7600/7610/7610S											X		
7700/7710/7740											X		
7810											X		
Boomer 30/35/40/50					X	X							
Boomer 3040/3045/3050, 8N					X	X	X						
T1010/T1030	X												
T1110/Boomer 1030	X												
T1510/T1520		X	X		X	X							
T1530					X	X	X						
T2210/T2220		X	X		X	X							
T2310/T2320/T2330					X	X	X						
T2410/T2420							X	X					
T4020/T4030									X				
T4040/T4050									X	X			
T5040/T5050/T5060/T5070									X	X		X	
T6010/T6020/T6040/T6060, "Delta" or "Plus"												X	
T6030/T6050, "Delta" or "Plus"												X	X
T6070/T6080, "Delta" or "Plus"													X
TB100/TB110											X		
TC18/TC21 (Prior to SN UF33357)		X											
TC21 (SN UF33357 & Later)/ TC21DA/TC23DA/TC24/TC24DA/TC26DA		X											
TC25/TC25D/TC29/TC29D/TC29DA/ TC31DA/TC33/TC33D/TC33DA/TC34DA			X		X	X							
TC29DA/TC31DA/TC33DA/TC34DA without Super Steer		X											
TC30		X	X		X	X							
TC30D/TC34			X										
TC35/TC35A/TC35D/TC40/TC40A/TC40D/ TC45/TC45A/TC45D					X	X	X						
TC35DA							X						

LOADERS – TRACTOR / LOADER ADAPTABILITY CHART (Continued)

Tractor Brand / Model	Sub-Compact Series				Compact Series				Utility Series			Farm Series	
	LS72	LS84	LS96R	LS96	LC96	LC102	LC108	LC114	LU126	LU132	LU215	LF138	LF156
FORD® & NEW HOLLAND® (Continued)													
TC40DA/TC45DA					X		X						
TC48DA/TC55DA							X	X					
TD75D/TD80D/TD90D/TD95D									X	X			
TD5030/TD5050									X	X			
TL70/TL80/TL90/TL100									X		X		
TL80A/TL90A/TL100A									X	X	X	X	
TM120/TM130/TM140/TM155													X
TN55/TN55D/TN65D/TN70D/TN75D									X	X			
TN60A									X	X			
TN60DA									X	X	X		
TN60Z											X		
TN65/TN70/TN75									X	X	X		
TN70A/TN70DA/TN75A/TN75DA									X	X	X		
TN75SA										X			
TN85A/TN85DA/TN95A/TN95DA										X			
TS90/TS100/TS110											X		
TS100A/TS110A											X	X	
TS115A/TS125A											X	X	X
TS135A											X		X
TT45A/TT50A							X	X					
TT55									X				
TT60A/TT75A									X				
TT75									X				
TZ18DA/TZ22DA/TZ24DA/TZ25DA	X												
Workmaster 35/40			X										
Workmaster 45/55							X	X					
Workmaster 65/75									X				
HESSTON®													
880-5											X		
JOHN DEERE®													
650/670		X											
750					X	X							
755/855	X												
770/790		X											
820									X				
830/830 Orchard									X				
850 (SN 8999 & Prior, SN 9000 & Later)					X	X							
870/970/1070 (Power Steering only)					X	X	X						
950 (SN 11999 & Prior, SN 12000 & Later)					X	X	X						
990					X	X	X						
1020/1520/2020									X				
1050					X	X	X						
1530/1530 Orchard									X				
2030/2630									X				

LOADERS – TRACTOR / LOADER ADAPTABILITY CHART (Continued)

Tractor Brand / Model	Sub-Compact Series				Compact Series				Utility Series			Farm Series	
	LS72	LS84	LS96R	LS96	LC96	LC102	LC108	LC114	LU126	LU132	LU215	LF138	LF156
JOHN DEERE® (Continued)													
2040 Orchard/2255 Orchard									X				
2150/2155/2040									X				
2210	X												
2240									X				
2240 NO									X				
2305/2320	X												
2350/2355/2550/2555									X		X		
2355 Narrow Orchard									X				
2440/2440 Orchard/2640									X				
2510/2520											X		
2750/2755/2950/2955											X		
3010/3020									X		X		
3120/3320/3520/3720			X		X	X							
3203					X	X							
4000/4020											X	X	
4010 (Ag)											X	X	
4010 (Compact)		X											
4040												X	X
4050/4055													X
4120/4320/4520/4720 (Compact)					X	X	X	X					
4200/4210/4300/4310/4400/4410					X	X							
4230/4240/4250/4255												X	X
4320												X	
4430/4440/4450/4455													X
4500/4510/4600/4610/4700/4710					X	X	X						
4520/4555/4560/4620/4630/4640/4650													X
4730/4755/4830/4840/4850													X
5045E/5055E/5065E/5075E									X				
5065M/5075M/5085M/5095M/5105M											X		
5103/5203/5303									X				
5105/5205									X				
5200/5210/5220/5300/5310/5320/5400									X				
5225/5325									X				
5410/5420/5500/5510/5520									X		X		
5425/5525									X	X			
6200/6210/6215/6300/6310/6400/6410											X		
6230/6330/6430												X	
7600/7610/7700/7710/7800/7810													X
KIOTI®													
CK20/CK20 HST		X											
CK25					X	X							
CK27				X									
CK30/CK35				X	X	X							
DK35 (SN 261400101 & Prior)					X	X	X						
DK35 (SN 261400102 & Later)					X	X	X						
DK35SE					X	X	X						

LOADERS – TRACTOR / LOADER ADAPTABILITY CHART (Continued)

Tractor Brand / Model	Sub-Compact Series				Compact Series				Utility Series			Farm Series	
	LS72	LS84	LS96R	LS96	LC96	LC102	LC108	LC114	LU126	LU132	LU215	LF138	LF156
KIOTI® (Continued)													
DK40 (SN 161400200 & Prior)					X	X	X						
DK40 (SN 161400201 & Later)					X	X	X						
DK40SE/DK45SE/DK50SE					X	X	X	X					
DK45/DK50 (SN 256700000 & Prior)					X	X	X						
DK45/DK50 (SN 256700001 & Later)					X	X	X						
DK45S					X	X	X	X					
DK55							X	X					
DK65/DK65C									X				
DK65S									X	X			
DK75/DK90									X	X			
LK2554/LK3054					X	X							
KUBOTA®													
B1550/B1750 HST	X												
B1700/B2100/B2400 with/without Bi-Speed Turn		X											
B2150 HST (All variations except Bi-Speed Turn)		X											
B2150 HST with Bi-Speed Turn		X											
B2320/B2620/B2920	X	X											
B2410		X											
B2630/B3030		X											
B2710/B2910		X											
B3030		X											
B3200/B3300SU		X											
B5200/B6200/B7200 (Gear only)	X												
B6100/B7100 HST	X												
B6200 HST/B7200 HST	X												
B7300/B7400/B7500	X	X											
B7410/B7510/B7610	X	X											
B7800HSD		X											
B8200/B8200 HST		X											
BX1800/BX1830/BX2200/BX2230	X												
BX1850/BX2350/BX2360/BX2660	X												
L245/L295					X	X							
L2050/L2250/L2350					X	X							
L2500/L2600					X	X							
L2550/L2850/L3250					X	X	X						
L2650/L2950/L3450/L3650					X	X	X						
L2800/L3400		X	X		X	X							
L2800 HST/L3400 HST					X	X							
L2900/L3300/L3600/L4200					X	X	X						
L3000					X	X							
L3010/L3410/L3710/L4310					X	X	X						
L3130/L3430/L3830					X	X	X						
L3200/L3800			X		X	X							
L3240/L3540					X	X	X						
L3430					X	X	X						

LOADERS – TRACTOR / LOADER ADAPTABILITY CHART (Continued)

Tractor Brand / Model	Sub-Compact Series				Compact Series				Utility Series			Farm Series	
	LS72	LS84	LS96R	LS96	LC96	LC102	LC108	LC114	LU126	LU132	LU215	LF138	LF156
KUBOTA® (Continued)													
L3700SU			X		X	X							
L3940					X	X	X						
L4240/L4740					X	X	X	X					
L4300					X	X	X						
L4330/L4630/L5030					X	X	X	X					
L4400					X	X	X						
L4600/L4610					X	X	X						
L5040/L5240/L5740							X	X					
M105S/M110/M120/M125X											X		
M4030/M4030 SU									X				
M4700/M5400									X				
M4800SU/M4900SU/M5640SU									X				
M4900/M5700									X				
M5030									X				
M5040/M6040									X				
M6030									X				
M6800F/DT									X				
M6800S/DC, M6800S/HD									X				
M7030SU											X		
M7040									X	X			
M8200/M9000									X	X			
M8540/M9540										X			
MX5000					X	X	X						
MX5100							X	X					
LANDINI®													
1-30/1-35				X									
1-40/1-50					X	X							
1-55							X	X					
1-75/1-90									X	X			
LONG®													
280DTC/360DTC					X	X	X						
MAHINDRA®													
485/575/585									X				
2015		X											
2415		X											
2615/3015					X	X							
2810 HST/3510 HST					X	X							
2815/3215					X	X							
3510					X	X	X						
3525					X	X	X						
4110					X	X	X						
4500									X				
4530									X				
5500/6000/6500									X				

LOADERS – TRACTOR / LOADER ADAPTABILITY CHART (Continued)

Tractor Brand / Model	Sub-Compact Series				Compact Series				Utility Series			Farm Series	
	LS72	LS84	LS96R	LS96	LC96	LC102	LC108	LC114	LU126	LU132	LU215	LF138	LF156
MAHINDRA® (Continued)													
5520									X				
6520									X	X			
7010									X				
7520									X	X			
MASSEY FERGUSON®													
240/253									X				
271XE/281XE									X				
283											X		
375/383											X		
390/393/396/398/399											X		
431/451/461									X				
471/481									X				
492											X		
543/563									X				
573/583									X	X			
1125/1140/1145					X	X							
1210/1220 (Gear & Hydro)		X											
1240					X	X							
1250/1260 (Prior to SN "G", SN "G" & Later)					X	X							
1429/1433/1433V/1440/1440V (Non-hydrostat versions)					X	X							
1445							X						
1528/1531		X											
1529/1532		X			X	X							
1533/1540					X	X							
1547/1552					X	X	X	X					
1635					X	X							
2605/2615/2625							X	X	X				
3625/3635/3645									X	X			
4225/4235 (SN "U" & Prior)									X				
4225/4235 (SN "G" & Later)									X				
4243/4245/4253/4255 (With "U" in SN)											X		
4243/4245/4253/4255 (With "G" or later in SN)											X		
5435/5445									X	X	X		
5455/5460											X		
GC2300/GC2400/GC2600	X												
McCORMICK®													
C70/C80											X		
CX70/CX80									X	X			
CX75/CX85/CX95/CX105											X		
X10.30/X10.35				X									
X10.40/X10.50					X	X							
X10.55							X	X					
X10.75/X10.90									X	X			

LS72 Features and Specifications

FEATURES:

Curved loader boom
Midmount loader boom attachment
Fast D-Tach loader
Parking stands – stored on loader boom
Manual tube on the loader boom cross tube
Heavy-duty, round back bucket
2-year warranty

SPECIFICATIONS:

Fits 15 – 25 hp tractors (2WD & FWA)	Breakout at 19.7 inches ahead of bucket pivot pins: 900 lbs.
Lift height: 72 inches	Maximum digging depth: 4 inches
Lift cylinders: 1.57 inches; Single bucket cylinder: 2.48 inches	Dump angle: 45 degrees
Lift capacity at bucket pins: 650 lbs.	Roll back angle: 25 degrees
Lift capacity at 19.7 inches ahead of bucket pivot pins: 500 lbs.	Reach: 30 inches
Breakout at bucket pins: 1400 lbs.	Pivot pins diameter: 0.75 and 1.00 inches

To Order a Complete Loader Using the Woods® Quick Order System

- Find the tractor brand and model you are attempting to fit in the **Tractor/Loader Adaptability Chart**.
- Select the loader model you wish to price (each model belongs to a Loader Series, i.e., Compact Series).
- Go to the appropriate Loader Model **Quick Order** tab.
- Find the tractor brand / model you are fitting.
- Order loader frame.
- Order pin-on bucket.
- Order completing kit.

Be sure to refer to the “Notes” column; Tractor Notes are found at the end of each tabbed section in the Loader price pages. Prices for each component are listed in the appropriate component section. If you have any questions, please contact Woods Dealer Services.

EXAMPLE

When ordering a loader to fit a Kubota® tractor, model BX2350 ROPS, do the following:

1. The Kubota BX2350 ROPS tractor is fit by one Woods loader model: LS72. (Reference Tractor/Loader Adaptability Chart.)
2. Flip to the LS72 **Quick Order** tab.
3. **Section 1** – Select tractor brand and model that the LS72 loader is to fit: Kubota BX2350 ROPS.
 - a. Order the loader frame #2107224 (Orange to match Kubota).
 - b. Order the bucket #2130448 (48” pin attachment bucket – Orange to match Kubota).
 - c. Order the completing kit #2104003H. Completing kit includes loader mount, hose kit and grill guard. List price of complete loader is \$3,730; total weight is 528 lbs.
If tractor is **not** equipped with OEM valve, then completing kit #2104003D would be ordered, which includes loader mount, valve and hose kits, and grill guard. List price of complete loader is \$4,703; total weight is 571 lbs.

Unless noted, each “Loader Complete” STANDARD configuration includes loader, bucket, and completing kit (mount, hydraulics and grill guard, if grill guard is available). Any deviation from standard configuration will require ordering components individually.

Quick Order Section – Loader Model LS72

Tractor Brand / Model	Loader Pkg. Type	Fits Tractor Type				Loader Frame Color	Quick Order Part Numbers				OEM Mid-Mower Compatible	Ship Wt. (lbs.)	Suggested List Price	Tractor Notes
		2WD	4WD	ROPS	CAB		LS72 Loader Frame	Bucket Width (in.)	Pin-On Bucket	Completing Kit *				
AGCO®														
ST22A	Pin-on		X	X		Black	2107220	48	2130048	2100017D	SM54A, SM59A	571	\$ 4,976	
CASE IH®														
DX18E/DX22E/ DX24E/DX25E	Pin-on		X	X		Red	2107222	48	2130048	2100008D	MWX154S, MWX160S	573	5,063	
CUB CADET®														
5234D/5252/5254	Pin-on	X	X	X		Yellow	2107228	48	2130048	2100026D		578	5,041	2
SC2400	Pin-on		X	X		Yellow	2107228	48	2130048	2100042H	MM60RSE	TBD	4,140	8
FORD® & NEW HOLLAND®														
T1010/T1030	Pin-on		X	X		NH Vib Blue	2107227	48	2130048	2100008D	230GM	573	5,063	
T1110/Boomer 1030	Pin-on		X	X		NH Vib Blue	2107227	54	2130054	2100008D1	230GM	567	5,160	
TZ18DA/TZ22DA/ TZ24DA/TZ25DA	Pin-on		X	X		NH Vib Blue	2107227	48	2130048	2100008D	54CMS, 60CMS	573	5,063	
JOHN DEERE®														
755	Pin-on	X	X	X		Green	2107221	48	2130148	2101016H		530	4,151	3
855	Pin-on	X	X	X		Green	2107221	48	2130148	2101035H		555	4,151	3
2210	Pin-on		X	X		Green	2107221	48	2130148	2101027H	54C, 62C	525	4,068	
2305	Pin-on		X	X		Green	2107221	48	2130148	2101013H	54C, 62C	530	4,106	
2320	Pin-on		X	X		Green	2107221	48	2130148	2101014H	54C, 62C	530	4,085	
KUBOTA®														
B1550/B1750 HST	Pin-on	X	X	X		Orange	2107224	48	2130448	2104023D		623	5,071	4
B2320/B2620/B2920	Pin-on		X	X		Orange	2107224	54	2130454	2104040H	RCK54-29B, RCK60-29B	599	4,120	7
B5200/B6200/B7200 (Gear only)	Pin-on	X	X	X		Orange	2107224	48	2130448	2104018D		573	5,071	
B6100/B7100 HST	Pin-on	X	X	X		Orange	2107224	48	2130448	2104011D	RC60-71B	573	5,071	
B6200HST	Pin-on	X	X	X		Orange	2107224	48	2130448	2104023D		573	5,071	4, 5
B7200HST	Pin-on	X	X	X		Orange	2107224	48	2130448	2104023D	RC60-71B	573	5,071	6
B7300/B7400/B7500	Pin-on	X	X	X		Orange	2107224	48	2130448	2104009D	RCK54-24B, RCK60-24B	578	4,951	
B7410/B7510/B7610	Pin-on	X	X	X		Orange	2107224	48	2130448	2104009D	RCK54-24B, RCK60-24B	578	4,951	
BX1800/BX1830/ BX2200/BX2230	Pin-on		X	X		Orange	2107224	48	2130448	2104007D	RCK54-22BX, RCK60B-22BX	576	4,777	
BX1850/BX2350/ BX2360/BX2660	Pin-on		X	X		Orange	2107224	48	2130448	2104003D	RCK48-18BX, RCK54-23BX, RCK60-23BX	571	4,703	
BX1850/BX2350/ BX2360/BX2660	Pin-on		X	X		Orange	2107224	48	2130448	2104003H	RCK48-18BX, RCK54-23BX, RCK60-23BX	528	3,730	7
MASSEY FERGUSON®														
GC2300	Pin-on		X	X		Red	2107226	48	2130048	2100017D	2315, 2320, 2325	558	4,976	1
GC2400/GC2600	Pin-on		X	X		Red	2107226	48	2130048	2100044D	2315, 2320, 2325	566	4,990	

* Completing Kits that end in D or D1 contain mounting kit, Woods Hydraulic Package (2-spool direct control valve and hose kit) and grill guard, if available. Completing Kits that end in H contain mounting kit, 4-hose kit (to connect loader to OEM remote valve) and grill guard, if available.

Unless noted, Completing Kits include Mount Kit, Woods® Hydraulic Package (or 4-Hose Kit for tractor remotes) and Grill Guard.

Completing Kits – Loader Model LS72

Tractor Brand / Model	Fits Tractor Type				Completing Kit Part No. *	Mount Kit	Woods® Hydraulic Package		OR	4-Hose Kit	Grill Guard	Ship Wt. (lbs.)	Suggested List Price	Notes
	2WD	4WD	ROPS	CAB			Connects to OEM Valve or Remotes	2-Spool Valve Kit		Hoses for Loader Valve				
AGCO®														
ST22A		X	X		2100017D	2100017	1023512	1025957		N/A	1008519	146	\$ 1,934	
CASE IH®														
DX18E/DX22E/DX24E/DX25E		X	X		2100008D	2100008	1023512	1025950		N/A	1007767	148	2,021	
CUB CADET®														
5234D/5252/5254	X	X	X		2100026D	2100026	1023512	1025965		N/A	1007783	153	1,999	2
SC2400		X	X		2100042H	2100042	N/A	N/A		1029395	1029396	121	1,098	8
FORD® & NEW HOLLAND®														
T1010/T1030		X	X		2100008D	2100008	1023512	1025950		N/A	1007767	148	2,021	
T1110/Boomer 1030		X	X		2100008D1	2100008	1023512	1028350		N/A	1028322	148	2,049	
TZ18DA/TZ22DA/TZ24DA/TZ25DA		X	X		2100008D	2100008	1023512	1025950		N/A	1007767	148	2,021	
JOHN DEERE®														
755	X	X	X		2101016H	2101016	N/A	N/A		1025956	N/A	105	1,109	3
855	X	X	X		2101035H	2101035	N/A	N/A		1025956	N/A	199	1,109	3
2210		X	X		2101027H	2101027	N/A	N/A		1008505	1008507	100	1,026	
2305		X	X		2101013H	2101013	N/A	N/A		1008505	1016567	105	1,064	
2320		X	X		2101014H	2101014	N/A	N/A		1008505	1016567	105	1,043	
KUBOTA®														
B1550/B1750	X	X	X		2104023D	2104023	1023512	1025958		N/A	N/A	198	2,029	4
B2320/B2620/B2920		X	X		2104040H	2104040	N/A	N/A		1019695	1028640	174	1,009	7
B5200/B6200/B7200 (Gear only)	X	X	X		2104018D	2104018	1023512	1025958		N/A	N/A	148	2,029	
B6100/B7100 HST	X	X	X		2104011D	2104011	1023512	1025952		N/A	N/A	148	2,029	
B6200HST	X	X	X		2104023D	2104023	1023512	1025958		N/A	N/A	198	2,029	4, 5
B7200HST	X	X	X		2104023D	2104023	1023512	1025958		N/A	N/A	198	2,029	6
B7300/B7400/B7500	X	X	X		2104009D	2104009	1023512	1024370		N/A	1014886	153	1,909	
B7410/B7510/B7610	X	X	X		2104009D	2104009	1023512	1024370		N/A	1014886	153	1,909	
BX1800/BX1830/BX2200/BX2230		X	X		2104007D	2104007	1023512	1025160		N/A	1007712	151	1,735	
BX1850/BX2350/BX2360/BX2660		X	X		2104003D	2104003	1023512	1023631		A	1007712	146	1,661	
BX1850/BX2350/BX2360/BX2660		X	X		2104003H	2104003	A	A		1019695	1007712	103	688	7
MASSEY FERGUSON®														
GC2300		X	X		2100017D	2100017	1023512	1025957		N/A	1008519	146	1,934	1
GC2400/GC2600		X	X		2100044D	2100044	1031078	included		N/A	1031079	162	1,948	

* Completing Kits that end in D or D1 contain mounting kit, Woods Hydraulic Package (2-spool direct control valve and hose kit) and grill guard, if available. Completing Kits that end in H contain mounting kit, 4-hose kit (to connect loader to OEM remote valve) and grill guard, if available.

A = Available

N/A = Not Available

Miscellaneous – Loader Model LS72

Part No.	Description	Shipping Wt. (lbs.)	Suggested List Price
1005093	Paint – Case of 12 Spray Cans – Red to match Case IH®	13	\$ 178.00
1005094	Paint – Case of 12 Spray Cans – Yellow to match Cub Cadet®	13	178.00
1005095	Paint – Case of 12 Spray Cans – Blue to match New Holland® Vibrant Blue	13	178.00
1005096	Paint – Case of 12 Spray Cans – Blue to match New Holland Ford® Blue	13	178.00
1005097	Paint – Case of 12 Spray Cans – Orange to match Kubota®	13	178.00
1005098	Paint – Case of 12 Spray Cans – Red to match Massey Ferguson®	13	178.00

SUB-COMPACT SERIES LOADERS – TRACTOR NOTES**SECTION 4****Tractor Notes – Loader Model LS72**

1. Auxiliary hose kit 1025337 is required for tractors before serial number M-T4750.
2. The side panels may require removal on model 5234D to provide room for the loader mount.
3. Requires John Deere® Selective Control Valve (SCV).
4. Will not fit with Kubota mower.
5. Fits with power steering.
6. Rear mounting will not fit with power steering.
7. Requires OEM mid-mount loader valve.
8. Hose kit 1029395 requires tractor mid-mount loader valve.

LS72 Features and Specifications

FEATURES:

Curved loader boom
Midmount loader boom attachment
Fast D-Tach loader
Parking stands – stored on loader boom
Manual tube on the loader boom cross tube
Heavy-duty, round back bucket
2-year warranty

SPECIFICATIONS:

Fits 15 – 25 hp tractors (2WD & FWA)	Breakout at 19.7 inches ahead of bucket pivot pins: 900 lbs.
Lift height: 72 inches	Maximum digging depth: 4 inches
Lift cylinders: 1.57 inches; Single bucket cylinder: 2.48 inches	Dump angle: 45 degrees
Lift capacity at bucket pins: 650 lbs.	Roll back angle: 25 degrees
Lift capacity at 19.7 inches ahead of bucket pivot pins: 500 lbs.	Reach: 30 inches
Breakout at bucket pins: 1400 lbs.	Pivot pins diameter: 0.75 and 1.00 inches

To Order a Complete Loader by Ordering Individual Components

- Find the tractor brand and model you are attempting to fit in the **Tractor/Loader Adaptability Chart**.
- Select the loader model you wish to price (each model belongs to a Loader Series, i.e., Compact Series).
- Go to the appropriate Loader Model **Component Order** tab.
- Find the tractor brand / model you are fitting in the **Tractor Reference** section – part numbers needed to configure a loader are listed (except loader frame and bucket).
- Order loader frame.
- Order front-end attachment(s).
- Order mounting kit.
- Order valve kit.
- Order hose kit OR 4-hose kit to connect to OEM remote valve.
- Order grill guard.

Be sure to refer to the “Notes” column; Tractor Notes are found at the end of each tabbed section in the Loader price pages. Prices for each component are listed in the appropriate component section. If you have any questions, please contact Woods® Dealer Services.

EXAMPLE:

When ordering a loader to fit a Kubota® tractor, model B7510 ROPS, do the following:

1. The Kubota B7510 ROPS tractor is fit by two Woods loader models: LS72 and LS84. (Reference Tractor/Loader Adaptability Chart.) We are selecting the LS72 model.
2. Flip to the LS72 **Components** tab and go to the Tractor Reference Chart for components to order to complete the LS72 Loader.
 - a. **Section 1** – Order the loader frame #2107224 (Orange to match Kubota).
 - b. **Section 2** – Order the bucket #2130448 (48” pin attachment bucket – Orange to match Kubota).
 - c. **Section 3** – Order the mounting kit #2104009.
 - d. **Section 4** – Order the valve kit #1023512.
 - e. **Section 5** – Order the hose kit #1024370 OR the 4-hose kit # (N/A).
 - f. **Section 6** – Order grill guard #1014886.

SUB-COMPACT SERIES LOADERS – MODEL LS72 TRACTOR REFERENCE CHART

Tractor Brand / Model	Fits Tractor Type				Mount Kit	Hydraulic Package		OF	4-Hose Kit	Grill Guard	OEM Mid-Mower Compatible	Tractor Notes
	2WD	4WD	ROPS	CAB		2-Spool Valve Kit	Hoses for Loader Valve		Connects to OEM Valve			
AGCO®												
ST22A		X	X		2100017	1023512	1025957		N/A	1008519	SM54A, SM59A	
CASE IH®												
DX18E/DX22E/DX24E/DX25E		X	X		2100008	1023512	1025950		N/A	1007767	MWX154S, MWX160S	
CUB CADET®												
5234D/5252/5254	X	X	X		2100026	1023512	1025965		N/A	1007783		2
SC2400		X	X		2100042	N/A	N/A		1029395	1029396	MM60RSE	8
FORD® & NEW HOLLAND®												
T1010/T1030		X	X		2100008	1023512	1025950		N/A	1007767	230GM	
T1110/Boomer 1030		X	X		2100008	1023512	1028350		N/A	1028322	230GM	
TZ18DA/TZ22DA/TZ24DA/TZ25DA		X	X		2100008	1023512	1025950		N/A	1007767	54CMS, 60CMS	
JOHN DEERE®												
755	X	X	X		2101016	N/A	N/A		1025956	N/A		3
855	X	X	X		2101035	N/A	N/A		1025956	N/A		3
2210		X	X		2101027	N/A	N/A		1008505	1008507	54C, 62C	
2305		X	X		2101013	N/A	N/A		1008505	1016567	54C, 62C	
2320		X	X		2101014	N/A	N/A		1008505	1016567	54D, 62D	
KUBOTA®												
B1550/B1750 HST	X	X	X		2104023	1023512	1025958		N/A	N/A		4
B2320/B2620/B2920		X	X		2104040	N/A	N/A		1019695	1028640	RCK54-29B, RCK60-29B	7
B5200/B6200/B7200 (Gear only)	X	X	X		2104018	1023512	1025958		N/A	N/A		
B6100/B7100 HST	X	X	X		2104011	1023512	1025952		N/A	N/A	RC60-71B	
B6200 HST	X	X	X		2104023	1023512	1025958		N/A	N/A		4, 5
B7200 HST	X	X	X		2104023	1023512	1025958		N/A	N/A	RC60-71B	6
B7300/B7400/B7500	X	X	X		2104009	1023512	1024370		N/A	1014886	RCK54-24B, RCK60-24B	
B7410/B7510/B7610	X	X	X		2104009	1023512	1024370		N/A	1014886	RCK54-24B, RCK60-24B	
BX1800/BX1830/BX2200/BX2230		X	X		2104007	1023512	1025160		N/A	1007712	RCK54-22BX, RCK60B-22BX	
BX1850/BX2350/BX2360/BX2660		X	X		2104003	1023512	1023631		1019695	1007712	RCK48-18BX, RCK54-23BX, RCK60-23BX	
MASSEY FERGUSON®												
GC2300		X	X		2100017	1023512	1025957		N/A	1008519	2315, 2320, 2325	1
GC2400/GC2600		X	X		2100044	1031078	included		N/A	1031079	2315, 2320, 2325	

Note: If listed, 4-hose kit for use with tractor remotes may be ordered instead of Woods valve and hose kit for loader valve.

N/A = Not Available

Frames – Loader Model LS72

Part No.	Description	Shipping Wt. (lbs.)	Suggested List Price
2107220	Black (Universal)	286	\$ 2,481.00
2107221	Green to match John Deere®	286	2,481.00
2107222	Red to match Case IH®	286	2,481.00
2107223	Blue to match Ford® & New Holland®	286	2,481.00
2107224	Orange to match Kubota®	286	2,481.00
2107225	Miscellaneous Color (Contact Dealer Service for Price and Availability)	286	2,481.00
2107226	Red to match Massey Ferguson®	286	2,481.00
2107227	Vibrant Blue to match New Holland	286	2,481.00
2107228	Yellow to match Cub Cadet®	286	2,481.00
2107230	Red to match Mahindra®	286	2,481.00

SUB-COMPACT SERIES LOADERS – BUCKETS

SECTION 2

Buckets – Loader Model LS72

STANDARD BUCKETS – PIN ATTACHMENT

Part No.	Width (in.)	Description	Capacity	Shipping Wt. (lbs.)	Suggested List Price
2130048	48	Heavy-Duty Loader Bucket – Pin Attachment – Black	6.0 cu. ft.	118	\$ 561.00
2130148	48	Heavy-Duty Loader Bucket – Pin Attachment – Green to match John Deere	6.0 cu. ft.	118	561.00
2130448	48	Heavy-Duty Loader Bucket – Pin Attachment – Orange to match Kubota	6.0 cu. ft.	118	561.00
2130054	54	Heavy-Duty Loader Bucket – Pin Attachment – Black	6.8 cu. ft.	133	630.00

OPTIONAL WEIGHT BOX FOR THREE-POINT HITCH

1006123	Weight Box for Rear Ballast – Fits Category 1, 3-Point Hitch	3.5 cu. ft.	93	\$ 459.00
---------	--	-------------	----	-----------

SUB-COMPACT SERIES LOADERS – MOUNTING KITS

SECTION 3

Mounting Kits – Loader Model LS72

Mount Kit Part No.	Tractor Brand / Model	Fits Tractor Type				Ship Wt. (lbs.)	Suggested List Price
		2WD	4WD	ROPS	CAB		
AGCO®							
2100017	ST22A		X	X		102	\$ 576.00
CASE IH®							
2100008	DX18E/DX22E/DX24E/DX25E		X	X		102	533.00
CUB CADET®							
2100026	5234D/5252/5254	X	X	X		158	671.00
2100042	SC2400		X	X		100	629.00
FORD® & NEW HOLLAND®							
2100008	T1010/T1030		X	X		102	533.00
2100008	T1110/Boomer 1030		X	X		102	533.00
2100008	TZ18DA/TZ22DA/TZ24DA/TZ25DA		X	X		102	533.00
JOHN DEERE®							
2101016	755	X	X	X		174	744.00
2101035	855	X	X	X		194	744.00
2101027	2210		X	X		107	588.00
2101013	2305		X	X		102	621.00
2101014	2320		X	X		105	600.00

Mount Kit Part No.	Tractor Brand / Model	Fits Tractor Type				Ship Wt. (lbs.)	Suggested List Price
		2WD	4WD	ROPS	CAB		
KUBOTA®							
2104023	B1550/B1750 HST	X	X	X		183	\$ 744.00
2104040	B2320/B2620/B2920		X	X		157	650.00
2104018	B5200/B6200/B7200 (Gear only)	X	X	X		186	744.00
2104011	B6100/B7100 HST	X	X	X		131	744.00
2104023	B6200 HST	X	X	X		183	744.00
2104023	B7200 HST	X	X	X		183	744.00
2104009	B7300/B7400/B7500	X	X	X		178	650.00
2104009	B7410/B7510/B7610	X	X	X		178	650.00
2104007	BX1800/BX1830/BX2200/BX2230		X	X		104	415.00
2104003	BX1850/BX2350/BX2360/BX2660		X	X		107	424.00
MASSEY FERGUSON®							
2100017	GC2300		X	X		102	576.00
2100044	GC2400/GC2600		X	X		100	576.00

SUB-COMPACT SERIES LOADERS – LOADER VALVE KITS

SECTION 4

Valve Kits – Loader Model LS72

Part No.	Description	Shipping Wt. (lbs.)	Suggested List Price
1023512	Joystick Valve Kit – 2500 psi relief – Direct Control, Series Regenerative	37	\$ 973.00
1031078	Joystick Valve Kit – 2500 psi relief – Direct Control, Series Regenerative (includes hoses)	40	1,205.00

SUB-COMPACT SERIES LOADERS – HOSE KITS

SECTION 5

Hose Kits – Loader Model LS72

Part No.	Description	Shipping Wt. (lbs.)	Suggested List Price
1008505	Hose Kit – 4 Hoses with Couplers, John Deere 2210/2305/2320	6	\$ 268.00
1019695	Hose Kit – 4 Hoses with Couplers, Kubota B2320/B2620/B2920, BX1850/BX2350, reference 2104003/040 mount kits	5	194.00
1023631	Hose Kit – Power Beyond, Kubota BX1850/BX2350/BX2360/BX2660, reference 2104003 mount kit	8	194.00
1024370	Hose Kit – Power Beyond, Kubota B7300/B7400/B7500, B7410/B7510/B7610, reference 2104009 mount kit	6	139.00
1025160	Hose Kit – Power Beyond, Kubota BX1800/BX1830/BX2200/BX2230, reference 2104007 mount kit	12	277.00
1025337	Hose Kit – Power Beyond, Massey Ferguson GC2300 – Prior to SN M-T4750 (see Note 1)	4	233.00
1025950	Hose Kit – Power Beyond, Case IH DX18E/DX22E/DX24E/DX25E and Ford & New Holland T1010/T1030, TZ18DA/TZ22DA/TZ24DA/TZ25DA, reference 2100008 mount kit	5	373.00
1025952	Hose Kit – Power Beyond, Kubota B6100/B7100 HST, reference 2104011 mount kit	6	312.00
1025956	Hose Kit – 4 Hoses with Couplers, John Deere 755/855, reference 2101016/035 mount kits	6	365.00
1025958	Hose Kit – Power Beyond, Kubota B1550/B1750 HST, B5200/B6200/B7200, B6200 HST, B7200 HST	4	312.00
1025965	Hose Kit – Power Beyond, Cub Cadet 5234D/5252/5254, reference 2100026 mount kit	6	185.00
1028350	Hose Kit – Power Beyond, New Holland T1110/Boomer 1030, reference 2100008 mount kit	5	373.00
1029395	Hose Kit – Cub Cadet SC2400, reference 2100042 mount kit	6	294.00

SUB-COMPACT SERIES LOADERS – GRILL GUARDS

SECTION 6

Grill Guards – Loader Model LS72

Part No.	Description	Shipping Wt. (lbs.)	Suggested List Price
1007712	Grill Guard – Kubota® BX1800/BX1830/BX2200/BX2230, BX1850/BX2350/BX2360/BX2660, reference 2104003/007 mount kits	13	\$ 70.00
1007767	Grill Guard – Case IH® DX18E/DX22E/DX24E/DX25E and Ford® & New Holland® T1010/T1030, TZ18DA/TZ22DA/TZ24DA/TZ25DA, reference 2100008 mount kit	19	142.00
1007783	Grill Guard – Cub Cadet® 5234D/5252/5254, reference 2100026 mount kit	18	170.00
1008507	Grill Guard – John Deere® 2210, reference 2100027 mount kit	26	170.00
1008519	Grill Guard – Agco® ST22A and Massey Ferguson® GC2300, reference 2100017 mount kit	23	167.00
1014886	Grill Guard – Kubota B7300/B7400/B7500, B7410/B7510/B7610, reference 2104009 mount kit	22	147.00
1016567	Grill Guard – John Deere 2305/2320, reference 2101013/014 mount kits	22	175.00
1028322	Grill Guard – New Holland T1110/Boomer 1030, reference 2100008 mount kit	22	170.00
1028640	Grill Guard – Kubota B2320/B2620/B2920, reference 2104040 mount kit	17	167.00
1029396	Grill Guard – Cub Cadet SC2400, reference 2100042 mount kit	16	175.00
1031079	Grill Guard – Massey Ferguson GC2400/GC2600, reference 2100044 mount kit	22	167.00

SUB-COMPACT SERIES LOADERS – MISCELLANEOUS

SECTION 7

Miscellaneous – Loader Model LS72

Part No.	Description	Shipping Wt. (lbs.)	Suggested List Price
1005093	Paint – Case of 12 Spray Cans – Red to match Case IH	13	\$ 178.00
1005094	Paint – Case of 12 Spray Cans – Yellow to match Cub Cadet	13	178.00
1005095	Paint – Case of 12 Spray Cans – Blue to match New Holland Vibrant Blue	13	178.00
1005096	Paint – Case of 12 Spray Cans – Blue to match New Holland Ford Blue	13	178.00
1005097	Paint – Case of 12 Spray Cans – Orange to match Kubota	13	178.00
1005098	Paint – Case of 12 Spray Cans – Red to match Massey Ferguson	13	178.00

SUB-COMPACT SERIES LOADERS – TRACTOR NOTES

SECTION 8

Tractor Notes – Loader Model LS72

1. Auxiliary hose kit 1025337 is required for tractors before serial number M-T4750.
2. The side panels may require removal on model 5234D to provide room for the loader mount.
3. Requires John Deere® Selective Control Valve (SCV).
4. Will not fit with Kubota mower.
5. Fits with power steering.
6. Rear mounting will not fit with power steering.
7. Requires OEM mid-mount loader valve.
8. Hose kit 1029395 requires tractor mid-mount loader valve.

LS84 Features and Specifications

FEATURES:

Curved loader boom
Midmount loader boom attachment
Fast D-Tach loader
Parking stands – stored on loader boom
Manual tube on the loader boom cross tube
Heavy-duty, round back bucket
2-year warranty

SPECIFICATIONS:

Fits 20 – 30 hp tractors (2WD & FWA)	Breakout at 19.7 inches ahead of bucket pivot pins: 1200 lbs.
Lift height: 84 inches	Maximum digging depth: 4 inches
Lift cylinders: 1.57 inches; Single bucket cylinder: 2.48 inches	Dump angle: 45 degrees
Lift capacity at bucket pins: 1000 lbs.	Roll back angle: 24 degrees
Lift capacity at 19.7 inches ahead of bucket pivot pins: 700 lbs.	Reach: 24 inches
Breakout at bucket pins: 1700 lbs.	Pivot pins diameter: 0.75 and 1.00 inches

To Order a Complete Loader Using the Woods® Quick Order System

- Find the tractor brand and model you are attempting to fit in the **Tractor/Loader Adaptability Chart**.
- Select the loader model you wish to price (each model belongs to a Loader Series, i.e., Compact Series).
- Go to the appropriate Loader Model **Quick Order** tab.
- Find the tractor brand / model you are fitting.
- Order loader frame.
- Order pin-on bucket.
- Order completing kit.

Be sure to refer to the “Notes” column; Tractor Notes are found at the end of each tabbed section in the Loader price pages. Prices for each component are listed in the appropriate component section. If you have any questions, please contact Woods Dealer Services.

EXAMPLE

When ordering a loader to fit a New Holland® tractor, model TC21DA ROPS, do the following:

1. The New Holland TC21DA ROPS tractor is fit by one Woods loader model: LS84. (Reference Tractor/Loader Adaptability Chart.)
2. Flip to the LS84 **Quick Order** tab.
3. **Section 1** – Select tractor brand and model that the LS84 loader is to fit: New Holland TC21DA ROPS.
 - a. Order the loader frame #2108427 (NH Vibrant Blue to match New Holland).
 - b. Order the bucket #2160054 (54” pin attachment bucket).
 - c. Order the completing kit #2100001D. Completing kit includes loader mount, valve and hose kits, and grill guard (if available). List price of complete loader is \$6,050; total weight is 635 lbs.

Unless noted, each "Loader Complete" STANDARD configuration includes loader, bucket, and completing kit (mount, hydraulics and grill guard, if grill guard is available). Any deviation from standard configuration will require ordering components individually.

Quick Order Section – Loader Model LS84

Tractor Brand / Model	Loader Pkg. Type	Fits Tractor Type				Loader Frame Color	Quick Order Part Numbers				OEM Mid-Mower Compatible	Ship Wt. (lbs.)	Suggested List Price	Tractor Notes
		2WD	4WD	ROPS	CAB		LS84 Loader Frame	Bucket Width (in.)	Pin-On Bucket	Completing Kit *				
AGCO®														
ST28A/ST33A	Pin-on		X	X		Black	2108420	60	2160060	2100039D	SM60A, SM72A	701	\$ 5,747	
CASE IH®														
DX21/DX23/DX24/DX26	Pin-on	X	X	X		Red	2108422	54	2160054	2100001D		635	6,050	7
DX29/DX31/DX33/DX34	Pin-on	X	X	X		Red	2108422	54	2160054	2100010D	Case-IH MWX72S	659	5,771	9, 10
DX29/DX31/DX33/DX34	Pin-on	X	X	X		Red	2108422	54	2160054	2100010H	Case-IH MWX72S	618	4,918	9, 10
Farmall® 31/35	Pin-on		X	X		Red	2108422	60	2160060	2100038D	MW60S, MW72S	756	5,856	10
Farmall 31/35	Pin-on		X	X		Red	2108422	60	2160060	2100038H	MW60S, MW72S	719	5,121	9, 10
CHALLENGER®														
MT255B			X	X		Black	2108420	60	2160060	2100039D	MG715, MG716	701	5,747	
CUB CADET®														
7000/7192/7194/7195/ 7200/7205	Pin-on	X	X	X		Yellow	2108428	54	2160054	2100006D	Cub Cadet 401, Woods C360	636	5,770	
7252/7254/7264/7304	Pin-on	X	X	X		Yellow	2108428	54	2160054	2100031H		606	4,853	6
EX2900/EX3200	Pin-on		X	X		Yellow	2108428	60	2160060	2100037H	MM60RS	747	4,980	15, 16
FORD® & NEW HOLLAND®														
1110/1210	Pin-on	X	X	X		Fd-NH Blue	2108423	54	2160054	2100024D	Ford 916, 916A / Woods 348 F12	619	5,521	
1120/1215/1220	Pin-on	X	X	X		Fd-NH Blue	2108423	54	2160054	2100020D	Ford 914	635	6,066	7
T1510	Pin-on		X	X		NH Vib Blue	2108427	60	2160060	2100010D1	New Holland 914A	663	5,856	10
T1520	Pin-on		X	X		NH Vib Blue	2108427	60	2160060	2100038D	New Holland 914A	756	5,856	10
T2210/T2220	Pin-on		X	X		NH Vib Blue	2108427	60	2160060	2100038D	New Holland 914A	756	5,856	10
T2210/T2220	Pin-on		X	X		NH Vib Blue	2108427	60	2160060	2100038H	New Holland 914A	756	5,121	9, 10
TC18/TC21 (Prior to SN UF33357)	Pin-on	X	X	X		NH Vib Blue	2108427	54	2160054	2100020D	New Holland 914A	635	6,066	7, 13
TC21 (SN UF33357 & Later)/TC21DA/TC23DA/ TC24/TC24DA/TC26DA	Pin-on		X	X		NH Vib Blue	2108427	54	2160054	2100001D	New Holland 914A	635	6,050	7, 11
TC29DA/TC31DA/ TC33DA/TC34DA without Super Steer	Pin-on	X	X	X		NH Vib Blue	2108427	54	2160054	2100010D	New Holland 914A	659	5,771	9, 10
TC29DA/TC31DA/ TC33DA/TC34DA without Super Steer	Pin-on	X	X	X		NH Vib Blue	2108427	54	2160054	2100010H	New Holland 914A	618	4,918	9, 10
TC30	Pin-on	X	X	X		NH Vib Blue	2108427	54	2160054	2100010D1	New Holland 914A	663	5,803	10

* Completing Kits that end in D or D1 contain mounting kit, Woods Hydraulic Package (2-spool direct control valve and hose kit) and grill guard, if available.
Completing Kits that end in C contain mounting kit, Woods Hydraulic Package (2-spool cable control valve and hose kit) and grill guard, if available.
Completing Kits that end in H contain mounting kit, 4-hose kit (to connect loader to OEM remote valve) and grill guard, if available.

SUB-COMPACT SERIES LOADERS – QUICK ORDER SECTION (Continued) SECTION 1

Unless noted, each “Loader Complete” STANDARD configuration includes loader, bucket, and completing kit (mount, hydraulics and grill guard, if grill guard is available). Any deviation from standard configuration will require ordering components individually.

Quick Order Section – Loader Model LS84 (Continued)

Tractor Brand / Model	Loader Pkg. Type	Fits Tractor Type				Loader Frame Color	Quick Order Part Numbers				OEM Mid-Mower Compatible	Ship Wt. (lbs.)	Suggested List Price	Tractor Notes
		2WD	4WD	ROPS	CAB		LS84 Loader Frame	Bucket Width (in.)	Pin-On Bucket	Completing Kit *				
JOHN DEERE®														
650	Pin-on	X	X	X		Green	2108421	54	2160054	2100029D		620	\$ 5,479	1
670	Pin-on	X	X	X		Green	2108421	54	2160054	2100028H		578	4,724	5
770/790	Pin-on	X	X	X		Green	2108421	54	2160054	2100032H		578	4,724	5
4010	Pin-on		X	X		Green	2108421	54	2160054	2100022H	54" & 60"	589	4,703	5
KIOTI®														
CK20/CK20 HST	Pin-on		X	X		Orange	2108424	54	2160054	2100005H	KMR03-60SD	597	4,998	8
KUBOTA®														
B1700/B2100/B2400 with or without Bi-Speed Turn	Pin-on	X	X	X		Orange	2108424	54	2160054	2104002D	RC54860-24B	663	5,647	
B2150 HST with Bi-Speed Turn	Pin-on		X	X		Orange	2108424	54	2160054	2104030D	RC72-B	736	5,802	
B2150 HST (All variations except Bi-Speed Turn)	Pin-on	X	X	X		Orange	2108424	54	2160054	2104015D	RC72-B	735	5,562	4, 17
B2320/B2620/B2920	Pin-on		X	X		Orange	2108424	54	2160054	2104041H	RCK54-29B, RCK60-29B	671	4,635	12
B2410	Pin-on	X	X	X		Orange	2108424	54	2160054	2104002D	RCK54-24B, RCK60-24B	663	5,647	
B2630/B3030 (ROPS only)	Pin-on		X	X		Orange	2108424	54	2160054	2104004D	RCK60-30B	664	5,794	
B2710/B2910	Pin-on	X	X	X		Orange	2108424	54	2160054	2104012D	RCK60-27B, RCK72-27B	680	5,893	
B3030 (CAB only)	Pin-on		X		X	Orange	2108424	54	2160054	2104046C	RCK60-30B	739	6,093	
B3200	Pin-on	X	X	X		Orange	2108424	60	2160060	2104045H	RCK60-27BA, RCK72-27BA	698	4,780	12
B3300SU	Pin-on		X	X		Orange	2108424	54	2160054	2104045H		682	4,727	12
B7300	Pin-on	X	X	X		Orange	2108424	54	2160054	2104002D	RCK54-24B, RCK60-24B	663	5,647	3
B7400/B7500	Pin-on	X	X	X		Orange	2108424	54	2160054	2104002D	RCK54-24B, RCK60-24B	663	5,647	
B7410/B7510/B7610	Pin-on	X	X	X		Orange	2108424	54	2160054	2104002D	RCK54, RCK60	663	5,647	
B7800HSD	Pin-on	X	X	X		Orange	2108424	54	2160054	2104012D	RCK60-27B, RCK72-27B	680	5,893	
B8200	Pin-on	X	X	X		Orange	2108424	54	2160054	2104015D	Kubota RC60-82H, Woods L59 K82	735	5,562	2, 3
B8200 HST	Pin-on	X	X	X		Orange	2108424	54	2160054	2104015D	Kubota RC60-82H, Woods L59 K82	735	5,562	3
L2800/L3400	Pin-on	X	X	X		Orange	2108424	60	2160060	2104036D	N/A	721	5,733	14
MAHINDRA®														
2015	Pin-on		X	X		Red	2108430	54	2160054	2100006D	WMM1560, Woods C360	636	5,770	
2415	Pin-on		X	X		Red	2108430	54	2160054	2100019D	WMM1560, Woods C360	713	5,770	
MASSEY FERGUSON®														
1210/1220 (Gear & Hydro)	Pin-on			X		Red	2108426	54	2160054	2100033D		683	6,111	
1528/1531	Pin-on		X	X		Red	2108426	60	2160060	2100039D	1232, 1505	701	5,747	
1529/1532	Pin-on		X	X		Red	2108426	60	2160060	2100043D		499	6,162	

* Completing Kits that end in D or D1 contain mounting kit, Woods Hydraulic Package (2-spool direct control valve and hose kit) and grill guard, if available. Completing Kits that end in C contain mounting kit, Woods Hydraulic Package (2-spool cable control valve and hose kit) and grill guard, if available. Completing Kits that end in H contain mounting kit, 4-hose kit (to connect loader to OEM remote valve) and grill guard, if available.

Unless noted, Completing Kits include Mount Kit, Woods® Hydraulic Package (or 4-Hose Kit for tractor remotes) and Grill Guard.

Completing Kits – Loader Model LS84

Tractor Brand / Model	Fits Tractor Type				Completing Kit Part No. *	Mount Kit	Woods® Hydraulic Package		OR	4-Hose Kit	Grill Guard	Ship Wt. (lbs.)	Suggested List Price	Notes
	2WD	4WD	ROPS	CAB			2-Spool Valve Kit	Hoses for Loader Valve		Connects to OEM Valve or Remotes				
AGCO®														
ST28A/ST33A		X	X		2100039D	2100039	1023512	1027650		N/A	1027635	202	\$ 2,163	
CASE IH®														
DX21/DX23/DX24/DX26	X	X	X		2100001D	2100001	1023512	1024383		N/A	1025976	185	2,519	7
DX29/DX31/DX33/DX34	X	X	X		2100010D	2100010	1023512	1023531		A	1025161	209	2,240	9, 10
DX29/DX31/DX33/DX34	X	X	X		2100010H	2100010	A	A		1005689	1025161	168	1,387	9, 10
Farmall® 31/35		X	X		2100038D	2100038	1023512	1023531		A	1026864	257	2,272	10
Farmall 31/35		X	X		2100038H	2100038	A	A		1025966	1026864	220	1,537	9, 10
CHALLENGER®														
MT255B		X	X		2100039D	2100039	1023512	1027650		N/A	1027635	202	2,163	
CUB CADET®														
7000/7192/7194/7195/7200/7205	X	X	X		2100006D	2100006	1023512	1025959		N/A	1025977	186	2,239	
7252/7254/7264/7304	X	X	X		2100031H	2100031	N/A	N/A		1007235	1007783	156	1,322	6
EX2900/EX3200		X	X		2100037H	2100037	N/A	N/A		1028252	N/A	248	1,396	15, 16
FORD® & NEW HOLLAND®														
1110/1210	X	X	X		2100024D	2100024	1023512	1025963		N/A	N/A	169	1,990	
1120/1215/1220	X	X	X		2100020D	2100020	1023512	1024383		N/A	1025976	254	2,535	7
T1510		X	X		2100010D1	2100010	1023512	1023531		A	1026864	213	2,272	10
T1520		X	X		2100038D	2100038	1023512	1023531		A	1026864	257	2,272	10
T2210/T2220		X	X		2100038D	2100038	1023512	1023531		A	1026864	257	2,272	10
T2210/T2220		X	X		2100038H	2100038	A	A		1025966	1026864	220	1,537	9, 10
TC18/TC21 (Prior to SN UF33357)	X	X	X		2100020D	2100020	1023512	1024383		N/A	1025976	254	2,535	7, 13
TC21 (SN UF33357 & Later)/ TC21DA/TC23DA/TC24/ TC24DA/TC26DA		X	X		2100001D	2100001	1023512	1024383		N/A	1025976	185	2,519	7, 11
TC29DA/TC31DA/ TC33DA/TC34DA without Super Steer	X	X	X		2100010D	2100010	1023512	1023531		A	1025161	209	2,240	9, 10
TC29DA/TC31DA/ TC33DA/TC34DA without Super Steer	X	X	X		2100010H	2100010	A	A		1005689	1025161	168	1,387	9, 10
TC30	X	X	X		2100010D1	2100010	1023512	1023531			1026864	213	2,272	10
JOHN DEERE®														
650	X	X	X		2100029D	2100029	1023512	1025967		N/A	N/A	170	1,948	1
670	X	X	X		2100028H	2100028	N/A	N/A		1025966	N/A	128	1,193	5
770/790	X	X	X		2100032H	2100032	N/A	N/A		1025966	1026368	143	1,321	5
4010		X	X		2100022H	2100022	N/A	N/A		1012893	1025980	139	1,172	5
KIOTI®														
CK20/CK20 HST		X	X		2100005H	2100005	N/A	N/A		1009587	1025982	147	1,467	8

* Completing Kits that end in D or D1 contain mounting kit, Woods Hydraulic Package (2-spool direct control valve and hose kit) and grill guard, if available.
 Completing Kits that end in C contain mounting kit, Woods Hydraulic Package (2-spool cable control valve and hose kit) and grill guard, if available.
 Completing Kits that end in H contain mounting kit, 4-hose kit (to connect loader to OEM remote valve) and grill guard, if available.

A = Available

N/A = Not Available

Unless noted, Completing Kits include Mount Kit, Woods® Hydraulic Package (or 4-Hose Kit for tractor remotes) and Grill Guard.

Completing Kits – Loader Model LS84 (Continued)

Tractor Brand / Model	Fits Tractor Type				Completing Kit Part No. *	Mount Kit	Woods® Hydraulic Package		OR	4-Hose Kit	Grill Guard	Ship Wt. (lbs.)	Suggested List Price	Notes
	2WD	4WD	ROPS	CAB			2-Spool Valve Kit	Hoses for Loader Valve		Connects to OEM Valve or Remotes				
KUBOTA®														
B1700/B2100/B2400 with or without Bi-Speed Turn	X	X	X		2104002D	2104002	1023512	1024370		N/A	1014886	213	\$ 2,116	
B2150 HST with Bi-Speed Turn		X	X		2104030D	2104030	1023512	1025955		N/A	N/A	253	2,271	
B2150 HST (All variations except Bi-Speed Turn)	X	X	X		2104015D	2104015	1023512	1025955		N/A	N/A	252	2,031	4, 17
B2320/B2620/B2920		X	X		2104041H	2104041	N/A	N/A		1019695	1028640	188	1,104	12
B2410	X	X	X		2104002D	2104002	1023512	1024370		N/A	1014886	213	2,116	
B2630/B3030 (ROPS only)		X	X		2104004D	2104004	1023512	1023632		N/A	1025975	214	2,263	
B2710/B2910	X	X	X		2104012D	2104012	1023512	1025951		N/A	1025975	230	2,362	
B3030 (CAB only)		X		X	2104046C	2104046	1023513	1023633		N/A	1025975	256	2,562	
B3200	X	X	X		2104045H	2104045	N/A	N/A		1019695	1031140	199	1,196	12
B3300SU		X	X		2104045H	2104045	N/A	N/A		1019695	1031140	199	1,196	12
B7300	X	X	X		2104002D	2104002	1023512	1024370		N/A	1014886	213	2,116	3
B7400/B7500	X	X	X		2104002D	2104002	1023512	1024370		N/A	1014886	213	2,116	
B7410/B7510/B7610	X	X	X		2104002D	2104002	1023512	1024370		N/A	1014886	213	2,116	
B7800HSD	X	X	X		2104012D	2104012	1023512	1025951		N/A	1025975	230	2,362	
B8200	X	X	X		2104015D	2104015	1023512	1025955		N/A	N/A	252	2,031	2, 3
B8200 HST	X	X	X		2104015D	2104015	1023512	1025955		N/A	N/A	252	2,031	3
L2800/L3400	X	X	X		2104036D	2104036	1023512	1026432		N/A	1028250	222	2,149	14
MAHINDRA®														
2015		X	X		2100006D	2100006	1023512	1025959		N/A	1025977	186	2,239	
2415		X	X		2100019D	2100019	1023512	1025960		N/A	1025978	186	2,239	
MASSEY FERGUSON®														
1210/1220 (Gear & Hydro)			X		2100033D	2100033	1023512	1025969		N/A	N/A	233	2,580	
1528/1531		X	X		2100039D	2100039	1023512	1027650		N/A	1027635	202	2,163	
1529/1532		X	X		2100043D	2100043	1023512	1030185		N/A	1029396	313	2,578	

* Completing Kits that end in D or D1 contain mounting kit, Woods Hydraulic Package (2-spool direct control valve and hose kit) and grill guard, if available.
 Completing Kits that end in C contain mounting kit, Woods Hydraulic Package (2-spool cable control valve and hose kit) and grill guard, if available.
 Completing Kits that end in H contain mounting kit, 4-hose kit (to connect loader to OEM remote valve) and grill guard, if available.

A = Available

N/A = Not Available

Miscellaneous – Loader Model LS84

Part No.	Description	Shipping Wt. (lbs.)	Suggested List Price
1005093	Paint – Case of 12 Spray Cans – Red to match Case IH®	13	\$ 178.00
1005094	Paint – Case of 12 Spray Cans – Yellow to match Cub Cadet®	13	178.00
1005095	Paint – Case of 12 Spray Cans – Blue to match New Holland® Vibrant Blue	13	178.00
1005096	Paint – Case of 12 Spray Cans – Blue to match New Holland Ford® Blue	13	178.00
1005097	Paint – Case of 12 Spray Cans – Orange to match Kubota®	13	178.00
1005098	Paint – Case of 12 Spray Cans – Red to match Massey Ferguson®	13	178.00

SUB-COMPACT SERIES LOADERS – TRACTOR NOTES

SECTION 4

Tractor Notes – Loader Model LS84

1. Hydraulic kit will not fit with power steering.
2. Will not fit with Kubota mower.
3. Rear mounting will not fit with power steering.
4. Will not fit tractors with shiftable bi-speed turn.
5. Requires John Deere® Selective Control Valve (SCV). Hose kit fits tractors with right side quick couplers only.
6. Requires Cub Cadet valve kit 590-620-100.
7. Loader will not fit with Case-IH/New Holland factory-installed valve.
8. Requires factory-installed valve on tractor. Hose kit listed connects to tractor valve.
9. Fits with OEM auxiliary valve – use tractor hydraulic hose kit.
10. Requires 1004750 mower reinforcement to fit with OEM mid-mower.
11. OEM 914A mower requires 1024377 mower mounting kit.
12. Requires OEM mid-mount loader valve.
13. OEM 914A mower requires 1024387 mower mounting kit.
14. LS84 loader is not compatible with backhoe mounting on these tractor models. Refer to LC96 and LC102 loaders for backhoe compatibility.
15. Hose kit 1028252 requires tractor mid-mount loader valve.
16. OEM mid-mount mower (MM60RS) requires additional components. Order 1028253 mower kit.
17. Will not work with 60” mower.

LS84 Features and Specifications

FEATURES:

Curved loader boom
Midmount loader boom attachment
Fast D-Tach loader
Parking stands – stored on loader boom
Manual tube on the loader boom cross tube
Heavy-duty, round back bucket
2-year warranty

SPECIFICATIONS:

Fits 20 – 30 hp tractors (2WD & FWA)	Breakout at 19.7 inches ahead of bucket pivot pins: 1200 lbs.
Lift height: 84 inches	Maximum digging depth: 4 inches
Lift cylinders: 1.57 inches; Single bucket cylinder: 2.48 inches	Dump angle: 45 degrees
Lift capacity at bucket pins: 1000 lbs.	Roll back angle: 24 degrees
Lift capacity at 19.7 inches ahead of bucket pivot pins: 700 lbs.	Reach: 24 inches
Breakout at bucket pins: 1700 lbs.	Pivot pins diameter: 0.75 and 1.00 inches

To Order a Complete Loader by Ordering Individual Components

- Find the tractor brand and model you are attempting to fit in the **Tractor/Loader Adaptability Chart**.
- Select the loader model you wish to price (each model belongs to a Loader Series, i.e., Compact Series).
- Go to the appropriate Loader Model **Component Order** tab.
- Find the tractor brand / model you are fitting in the **Tractor Reference** section – part numbers needed to configure a loader are listed (except loader frame and bucket).
- Order loader frame.
- Order front-end attachment(s).
- Order mounting kit.
- Order valve kit.
- Order hose kit OR 4-hose kit to connect to OEM remote valve.
- Order grill guard.

Be sure to refer to the “Notes” column; Tractor Notes are found at the end of each tabbed section in the Loader price pages.

Prices for each component are listed in the appropriate component section.

If you have any questions, please contact Woods® Dealer Services.

EXAMPLE:

When ordering a loader to fit a Kubota® tractor, model B7510 ROPS, do the following:

1. The Kubota B7510 ROPS tractor is fit by two Woods loader models: LS72 and LS84. (Reference Tractor/Loader Adaptability Chart.) We are selecting the LS84 model.
2. Flip to the LS84 **Components** tab and go to the Tractor Reference Chart for components to order to complete the LS84 Loader.
 - a. **Section 1** – Order the loader frame #2108424 (Orange to match Kubota).
 - b. **Section 2** – Order the bucket #2160054 (54” pin attachment bucket).
 - c. **Section 3** – Order the mounting kit #2104002.
 - d. **Section 4** – Order the valve kit #1023512.
 - e. **Section 5** – Order the hose kit #1024370 OR the 4-hose kit # (N/A).
 - f. **Section 6** – Order grill guard #1014886.

SUB-COMPACT SERIES LOADERS – MODEL LS84 TRACTOR REFERENCE CHART

Tractor Brand / Model	Fits Tractor Type				Mount Kit	Hydraulic Package		OR	4-Hose Kit	Grill Guard	OEM Mid-Mower Compatible	Tractor Notes
	2WD	4WD	ROPS	CAB		2-Spool Valve Kit	Hoses for Loader Valve		Connects to OEM Valve			
AGCO®												
ST28A/ST33A		X	X		2100039	1023512	1027650		N/A	1027635	SM60A, SM72A	
CASE IH®												
DX21/DX23/DX24/DX26	X	X	X		2100001	1023512	1024383		N/A	1025976		7
DX29/DX31/DX33/DX34	X	X	X		2100010	1023512	1023531		1005689	1025161	MWX72S	9, 10
Farmall® 31/35		X	X		2100038	1023512	1023531		1025966	1026864	MW60S, MW72S	9, 10
CHALLENGER®												
MT255B		X	X		2100039	1023512	1027650		N/A	1027635	MG715, MG716	
CUB CADET®												
7000/7192/7194/7195/7200/7205	X	X	X		2100006	1023512	1025959		N/A	1025977	Cub Cadet 401, Woods C360	
7252/7254/7264/7304	X	X	X		2100031	N/A	N/A		1007235	1007783		6
EX2900/EX3200		X	X		2100037	N/A	N/A		1028252	N/A	MM60RS	15, 16
FORD® & NEW HOLLAND®												
1110/1210	X	X	X		2100024	1023512	1025963		N/A	N/A	Ford 916, 916A / Woods 348 F12	
1120/1215/1220	X	X	X		2100020	1023512	1024383		N/A	1025976	914	7
T1510		X	X		2100010	1023512	1023531		N/A	1026864	914A	10
T1520		X	X		2100038	1023512	1023531		N/A	1026864	914A	10
T2210/T2220		X	X		2100038	1023512	1023531		1025966	1026864	914A	9, 10
TC18/TC21 (Prior to SN UF33357)	X	X	X		2100020	1023512	1024383		N/A	1025976	914A	7, 13
TC21 (SN UF33357 & Later)/ TC21DA/TC23DA/TC24/TC24DA/TC26DA		X	X		2100001	1023512	1024383		N/A	1025976	914A	7, 11
TC29DA/TC31DA/TC33DA/TC34DA without Super Steer	X	X	X		2100010	1023512	1023531		1005689	1025161	914A	9, 10
TC30	X	X	X		2100010	1023512	1023531		N/A	1026864	914A	10
JOHN DEERE®												
650	X	X	X		2100029	1023512	1025967		N/A	N/A		1
670	X	X	X		2100028	N/A	N/A		1025966	N/A		5
770/790	X	X	X		2100032	N/A	N/A		1025966	1026368		5
4010		X	X		2100022	N/A	N/A		1012893	1025980	54" & 60"	5
KIOTI®												
CK20/CK20 HST		X	X		2100005	N/A	N/A		1009587	1025982	KMR03-60SD	8

Note: If listed, 4-hose kit for use with tractor remotes may be ordered instead of Woods valve and hose kit for loader valve.

N/A = Not Available

SUB-COMPACT SERIES LOADERS – MODEL LS84 TRACTOR REFERENCE CHART (Cont.)

Tractor Brand / Model	Fits Tractor Type				Mount Kit	Hydraulic Package		OR	4-Hose Kit	Grill Guard	OEM Mid-Mower Compatible	Tractor Notes
	2WD	4WD	ROPS	CAB		2-Spool Valve Kit	Hoses for Loader Valve		Connects to OEM Valve			
KUBOTA®												
B1700/B2100/B2400 with or without Bi-Speed Turn	X	X	X		2104002	1023512	1024370		N/A	1014886	RC54860-24B	
B2150 HST with Bi-Speed Turn		X	X		2104030	1023512	1025955		N/A	N/A	RC72-B	
B2150 HST (All variations except Bi-Speed Turn)	X	X	X		2104015	1023512	1025955		N/A	N/A	RC72-B	4, 17
B2320/B2620/B2920		X	X		2104041	N/A	N/A		1019695	1028640	RCK54-29B, RCK60-29B	12
B2410	X	X	X		2104002	1023512	1024370		N/A	1014886	RCK54-24B, RCK60-24B	
B2630/B3030 (ROPS only)		X	X		2104004	1023512	1023632		N/A	1025975	RCK60-30B	
B2710/B2910	X	X	X		2104012	1023512	1025951		N/A	1025975	RCK60-27B, RCK72-27B	
B3030 (CAB only)		X		X	2104046	1023513	1023633		N/A	1025975	RCK60-30B	
B3200	X	X	X		2104045	N/A	N/A		1019695	1031140	RCK60-27BA, RCK72-27BA	12
B3300SU		X	X		2104045	N/A	N/A		1019695	1031140		12
B7300	X	X	X		2104002	1023512	1024370		N/A	1014886	RCK54-24B, RCK60-24B	3
B7400/B7500	X	X	X		2104002	1023512	1024370		N/A	1014886	RCK54-24B, RCK60-24B	
B7410/B7510/B7610	X	X	X		2104002	1023512	1024370		N/A	1014886	RCK54, RCK60	
B7800HSD	X	X	X		2104012	1023512	1025951		N/A	1025975	RCK60-27B, RCK72-27B	
B8200	X	X	X		2104015	1023512	1025955		N/A	N/A	Woods L59 K82	2, 3
B8200 HST	X	X	X		2104015	1023512	1025955		N/A	N/A	Kubota RC60-82H, Woods L59 K82	3
L2800/L3400	X	X	X		2104036	1023512	1026432		N/A	1028250	N/A	14
MAHINDRA®												
2015		X	X		2100006	1023512	1025959		N/A	1025977	WMM1560, Woods C360	
2415		X	X		2100019	1023512	1025960		N/A	1025978	WMM1560, Woods C360	
MASSEY FERGUSON®												
1210/1220 (Gear & Hydro)			X		2100033	1023512	1025969		N/A	N/A		
1528/1531		X	X		2100039	1023512	1027650		N/A	1027635	1232, 1505	
1529/1532		X	X		2100043	1023512	1030185		N/A	1029396		

Note: If listed, 4-hose kit for use with tractor remotes may be ordered instead of Woods valve and hose kit for loader valve.

N/A = Not Available

Frames – Loader Model LS84

Part No.	Description	Shipping Wt. (lbs.)	Suggested List Price
2108420	Black (Universal)	313	\$ 2,756.00
2108421	Green to match John Deere®	313	2,756.00
2108422	Red to match Case IH®	313	2,756.00
2108423	Blue to match Ford® & New Holland®	313	2,756.00
2108424	Orange to match Kubota®	313	2,756.00
2108425	Miscellaneous Color (Contact Dealer Service for Price and Availability)	313	2,756.00
2108426	Red to match Massey Ferguson®	313	2,756.00
2108427	Vibrant Blue to match New Holland	313	2,756.00
2108428	Yellow to match Cub Cadet®	313	2,756.00
2108430	Red to match Mahindra®	313	2,756.00
2108431	Red to match McCormick®	313	2,756.00

SUB-COMPACT SERIES LOADERS – BUCKETS

SECTION 2

Buckets – Loader Model LS84

STANDARD BUCKETS – PIN ATTACHMENT

Part No.	Width (in.)	Description	Capacity	Shipping Wt. (lbs.)	Suggested List Price
2160054	54	Heavy-Duty Loader Bucket – Pin Attachment	8.4 cu. ft.	170	\$ 775.00
2160060	60	Heavy-Duty Loader Bucket – Pin Attachment	9.4 cu. ft.	186	828.00

OPTIONAL WEIGHT BOX FOR THREE-POINT HITCH

1006123	Weight Box for Rear Ballast – Fits Category 1, 3-Point Hitch	3.5 cu. ft.	93	\$ 459.00
---------	--	-------------	----	-----------

Mounting Kits – Loader Model LS84

Mount Kit Part No.	Tractor Brand / Model	Fits Tractor Type				Ship Wt. (lbs.)	Suggested List Price
		2WD	4WD	ROPS	CAB		
AGCO®							
2100039	ST28A/ST33A		X	X		138	\$ 883.00
CASE IH®							
2100001	DX21/DX23/DX24/DX26	X	X	X		111	935.00
2100010	DX29/DX31/DX33/DX34	X	X	X		169	993.00
2100038	Farmall® 31/35		X	X		193	993.00
CHALLENGER®							
2100039	MT255B		X	X		138	883.00
CUB CADET®							
2100006	7000/7192/7194/7195/7200/7205	X	X	X		201	911.00
2100031	7252/7254/7264/7304	X	X	X		167	870.00
2100037	EX2900/EX3200		X	X		240	1,143.00
FORD® & NEW HOLLAND®							
2100024	1110/1210	X	X	X		120	870.00
2100020	1120/1215/1220	X	X	X		195	951.00
2100010	T1510		X	X		169	993.00
2100038	T1520		X	X		193	993.00
2100038	T2210/T2220		X	X		193	993.00
2100020	TC18/TC21 (Prior to SN UF33357)	X	X	X		195	951.00
2100001	TC21 (SN UF33357 & Later)/TC21DA/TC23DA/TC24/TC24DA/TC26DA		X	X		111	935.00
2100010	TC29DA/TC31DA/TC33DA/TC34DA without Super Steer	X	X	X		169	993.00
2100010	TC30	X	X	X		169	993.00
JOHN DEERE®							
2100029	650	X	X	X		203	828.00
2100028	670	X	X	X		138	828.00
2100032	770/790	X	X	X		112	828.00
2100022	4010		X	X		134	828.00

Mount Kit Part No.	Tractor Brand / Model	Fits Tractor Type				Ship Wt. (lbs.)	Suggested List Price
		2WD	4WD	ROPS	CAB		
KIOTI®							
2100005	CK20/CK20 HST		X	X		156	\$ 828.00
KUBOTA®							
2104002	B1700/B2100/B2400 with or without Bi-Speed Turn	X	X	X		200	857.00
2104030	B2150 HST with Bi-Speed Turn		X	X		210	1,151.00
2104015	B2150 HST (All variations except Bi-Speed Turn)	X	X	X		209	911.00
2104041	B2320/B2620/B2920		X	X		160	744.00
2104002	B2410	X	X	X		200	857.00
2104004	B2630/B3030		X	X		198	945.00
2104012	B2710/B2910	X	X	X		169	951.00
2104046	B3030		X		X	198	945.00
2104045	B3200	X	X	X		175	835.00
2104045	B3300SU		X	X		175	835.00
2104002	B7300	X	X	X		200	857.00
2104002	B7400/B7500	X	X	X		200	857.00
2104002	B7410/B7510/B7610	X	X	X		200	857.00
2104012	B7800HSD	X	X	X		169	951.00
2104015	B8200	X	X	X		209	911.00
2104015	B8200 HST	X	X	X		209	911.00
2104036	L2800/L3400	X	X	X		158	845.00
MAHINDRA®							
2100006	2015		X	X		201	911.00
2100019	2415		X	X		223	911.00
MASSEY FERGUSON®							
2100033	1210/1220 (Gear & Hydro)			X		292	1,253.00
2100039	1528/1531		X	X		138	883.00
2100043	1529/1532		X	X		250	1,076.00

SUB-COMPACT SERIES LOADERS – LOADER VALVE KITS

SECTION 4

Valve Kits – Loader Model LS84

Part No.	Description	Shipping Wt. (lbs.)	Suggested List Price
1023512	Joystick Valve Kit – 2500 psi relief – Direct Control, Series Regenerative	37	\$ 973.00
1023513	Joystick Valve Kit – 2500 psi relief – Fender Mount Cable Control, Series Regenerative	43	1,262.00

Hose Kits – Loader Model LS84

Part No.	Description	Shipping Wt. (lbs.)	Suggested List Price
1005689	Hose Kit – (4) 50" Hoses with Couplers, Case IH® DX29/DX31/DX33/DX34 and Ford® & New Holland® TC29DA/TC31DA/TC33DA/TC34DA, TC30, reference 2100010 mount kit	8	\$ 247.00
1007235	Hose Kit – (4) 50" Hoses with Couplers, Cub Cadet® 7252/7254/7264/7304, reference 2100031 mount kit	8	282.00
1009587	Hose Kit – (4) 40" Hoses with Couplers, Kioti® CK20/CK20 HST, reference 2100005 mount kit	12	492.00
1012893	Hose Kit – (4) 54" Hoses with Couplers, John Deere® 4010, reference 2100022 mount kit	4	197.00
1019695	Hose Kit – (4) 36" Hoses with Couplers, Kubota® B2320/B2620/B2920/B3200/B3300SU, reference 2104041/2104045 mount kits	5	194.00
1023531	Hose Kit – Power Beyond, Case IH and Ford & New Holland, TC30, reference 2100010/038 mount kits	6	127.00
1023632	Hose Kit – Power Beyond, Kubota B2630/B3030 with ROPS	5	198.00
1023633	Hose Kit – Power Beyond, Kubota B3030 with Cab	9	208.00
1024370	Hose Kit – Power Beyond, Kubota B1700/B2100/B2400, B2410, B7300/B7400/B7500, B7410/B7510/B7610	6	139.00
1024383	Hose Kit – Power Beyond, Case IH DX21/DX23/DX24/DX26 and Ford & New Holland 1120/1215/1220, TC18/TC21/TC21DA/TC23DA/TC24/TC24DA/TC26DA	5	436.00
1025951	Hose Kit – Power Beyond, Kubota B2710/B2910, B7800 HSD, reference 2104012 mount kit	6	291.00
1025955	Hose Kit – Power Beyond, Kubota B2150 HST, B8200/B8200 HST	6	147.00
1025959	Hose Kit – Power Beyond, Cub Cadet 7000/7192/7194/7195/7200/7205 and Mahindra® 2015, reference 2100006 mount kit	6	208.00
1025960	Hose Kit – Power Beyond, Mahindra 2415, reference 2100019 mount kit	5	208.00
1025963	Hose Kit – Power Beyond, Ford & New Holland 1110/1210, reference 2100024 mount kit	6	147.00
1025966	Hose Kit – (4) 36" Hoses with Couplers, Case IH Farmall 31/35, John Deere 670/770/790 and Ford & NH T2210/T2220	8	365.00
1025967	Hose Kit – Power Beyond, John Deere 650, reference 2100029 mount kit	7	147.00
1025969	Hose Kit – Power Beyond, Massey Ferguson® 1210/1220, reference 2100033 mount kit	10	354.00
1026432	Hose Kit – 3 x 40, Kubota L2800/L3400, reference 2104036 mount kit	5	184.00
1027650	Hose Kit – Power Beyond, Agco®, Challenger®, Massey Ferguson®, reference 2100039 mount kit	5	128.00
1028252	Hose Kit – 4 x 54, Cub Cadet EX2900/EX3200, reference 2100037 mount kit	8	253.00
1030185	Hose Kit – Power Beyond, Massey Ferguson, reference 2100043 mount kit	10	354.00

SUB-COMPACT SERIES LOADERS – GRILL GUARDS

SECTION 6

Grill Guards – Loader Model LS84

Part No.	Description	Shipping Wt. (lbs.)	Suggested List Price
1007783	Grill Guard – Cub Cadet 7252/7254/7264/7304, reference 2100031 mount kit	18	\$ 170.00
1014886	Grill Guard – Kubota B1700/B2100/B2400, B2410, B7300/B7400/B7500, B7410/B7510/B7610, reference 2104002 mount kit	22	147.00
1025161	Grill Guard – Case IH DX29/DX31/DX33/DX34 and Ford & New Holland TC29DA/TC31DA/TC33DA/TC34DA, reference 2100010 mount kit	20	147.00
1025975	Grill Guard – Kubota B2630/B3030, B2710/B2910, B7800 HSD, reference 2104004/2104012/2104046 mount kits	13	147.00
1025976	Grill Guard – Case IH DX21/DX23/DX24/DX26 and Ford & New Holland 1120/1215/1220, TC18/TC21/TC21DA/TC23DA/TC24/TC24DA/TC26DA, reference 2100001/2100020 mount kits	17	175.00
1025977	Grill Guard – Cub Cadet 7000/7192/7194/7195/7200/7205 and Mahindra 2015, reference 2100006 mount kit	16	147.00
1025978	Grill Guard – Mahindra 2415, reference 2100019 mount kit	15	147.00
1025980	Grill Guard – John Deere 4010, reference 2100022 mount kit	17	147.00
1025982	Grill Guard – Kioti CK20/CK20 HST, reference 2100005 mount kit	13	147.00
1026368	Grill Guard – John Deere 770/790, reference 2100032 mount kit	15	128.00
1026864	Grill Guard – Case IH and Ford & New Holland, reference 2100010/038 mount kits	21	179.00
1027635	Grill Guard – Agco, Challenger, Massey Ferguson, reference 2100039 mount kit	22	179.00
1028250	Grill Guard – Kubota L2800/L3400, reference 2104036 mount kit	22	147.00
1028640	Grill Guard – Kubota B2320/B2620/B2920, reference 2104041 mount kit	17	167.00
1029396	Grill Guard – Massey Ferguson 1529/1532, reference 2100043 mount kit	16	175.00
1031140	Grill Guard – Kubota B3200/B3300SU, reference 2104045 mount kit	19	167.00

Miscellaneous – Loader Model LS84

Part No.	Description	Shipping Wt. (lbs.)	Suggested List Price
1005093	Paint – Case of 12 Spray Cans – Red to match Case IH®	13	\$ 178.00
1005094	Paint – Case of 12 Spray Cans – Yellow to match Cub Cadet®	13	178.00
1005095	Paint – Case of 12 Spray Cans – Blue to match New Holland® Vibrant Blue	13	178.00
1005096	Paint – Case of 12 Spray Cans – Blue to match New Holland Ford® Blue	13	178.00
1005097	Paint – Case of 12 Spray Cans – Orange to match Kubota®	13	178.00
1005098	Paint – Case of 12 Spray Cans – Red to match Massey Ferguson®	13	178.00

SUB-COMPACT SERIES LOADERS – TRACTOR NOTES

SECTION 8

Tractor Notes – Loader Model LS84

1. Hydraulic kit will not fit with power steering.
2. Will not fit with Kubota mower.
3. Rear mounting will not fit with power steering.
4. Will not fit tractors with shiftable bi-speed turn.
5. Requires John Deere® Selective Control Valve (SCV). Hose kit fits tractors with right side quick couplers only.
6. Requires Cub Cadet valve kit 590-620-100.
7. Loader will not fit with Case-IH/New Holland factory-installed valve.
8. Requires factory-installed valve on tractor. Hose kit listed connects to tractor valve.
9. Fits with OEM auxiliary valve – use tractor hydraulic hose kit.
10. Requires 1004750 mower reinforcement to fit with OEM mid-mower.
11. OEM 914A mower requires 1024377 mower mounting kit.
12. Requires OEM mid-mount loader valve.
13. OEM 914A mower requires 1024387 mower mounting kit.
14. LS84 loader is not compatible with backhoe mounting on these tractor models. Refer to LC96 and LC102 loaders for backhoe compatibility.
15. Hose kit 1028252 requires tractor mid-mount loader valve.
16. OEM mid-mount mower (MM60RS) requires additional components. Order 1028253 mower kit.
17. Will not work with 60" mower.

LS96R Features and Specifications

FEATURES:

- Midmount loader boom attachment
- Ideal for used tractors needing an economy loader
- Quality loader boom and welding for long product life
- Manual tube on the loader boom cross tube
- Optional Skid Steer Quick Attach System
- End-greasable pivot pins
- Twin bucket cylinders for increased performance
- Installs quickly and safely
- 2-year warranty



SPECIFICATIONS:

- | | |
|---|--------------------------------------|
| Fits 20 – 30 hp tractors (2WD & FWA) | Maximum digging depth: 3.5 inches |
| Lift height: 96 inches | Maximum dump angle: 41 degrees |
| Clearance with attachment dumped: 79 inches | Maximum roll back angle: 24 degrees |
| Lift cylinders: 1.77 inches; Bucket cylinders: 1.77 inches | Reach at maximum height: 17.3 inches |
| Lift capacity at bucket pins: 1175 lbs. | Pivot pins diameter: 1.00 inch |
| Lift capacity at 19.7 inches ahead of bucket pivot pins: 850 lbs. | Number of bucket cylinders: 2 |
| Breakout at bucket pins: 2175 lbs. | Bucket width: 60" |
| Breakout at 19.7 inches ahead of bucket pivot pins: 1650 lbs. | Bucket heaped capacity: 8.4 cu. ft. |
| System pressure for capacity ratings: 2350 psi | Skid Steer Quick Attach: Optional |

To Order a Complete Loader Using the Woods® Quick Order System

- Find the tractor brand and model you are attempting to fit in the **Tractor/Loader Adaptability Chart**.
- Select the loader model you wish to price (each model belongs to a Loader Series, i.e., Compact Series).
- Go to the appropriate Loader Model **Quick Order** tab.
- Find the tractor brand / model you are fitting.
- Order loader package.
- Order pin-on bucket or Quick Attachment Carrier System and quick attach bucket.

Be sure to refer to the “Notes” column; Tractor Notes are found at the end of each tabbed section in the Loader price pages. Prices for each component are listed in the appropriate component section. If you have any questions, please contact Woods Dealer Services.

EXAMPLE

When ordering a loader to fit a Kubota® tractor, model L2800 ROPS, do the following:

1. The Kubota L2800 ROPS tractor is fit by Woods loader model: LS96R. (Reference Tractor/Loader Adaptability Chart.)
2. Flip to the LS96R **Quick Order** tab.
3. **Section 1** – Select tractor brand and model that the LS96R loader is to fit: Kubota L2800 ROPS.
 - a. Order the loader package #2196004 (Black).
 - b. Order the bucket #2180460 (60" pin attachment bucket).

Note: If selecting a quick change system, order Quick Attachment Coupler System and 60" QA bucket.

Unless noted, each "Loader Complete" STANDARD configuration includes loader, bucket, and components (mount, hydraulics and grill guard). Any deviation from standard configuration will require ordering components individually.

Quick Order Section – Loader Model LS96R

Tractor Brand / Model	Loader Pkg. Type	Fits Tractor Type				Loader Package Color	Quick Order Part Numbers					Ship Wt. (lbs.)	Suggested List Price	Tractor Notes
		2WD	4WD	ROPS	CAB		LS96R Loader Package *	Bucket Width (in.)	Pin-On Bucket	Quick Attach. Coupler	QA Bucket			
CASE IH®														
D25/DX25/D29/DX29/DX31/D33/DX33/DX34	Pin-on	X	X	X		CIH Red	2196002	60	2180060			671	\$ 4,999	
D25/DX25/D29/DX29/DX31/D33/DX33/DX34	QA	X	X	X		CIH Red	2196002	60		2170000	2170060	760	5,553	
Farmall 31/35	Pin-on	X	X	X		CIH Red	2196002	60	2180060			671	4,999	
Farmall 31/35	QA	X	X	X		CIH Red	2196002	60		2170000	2170060	760	5,553	
FORD® & NEW HOLLAND®														
1320/1520/1530/1620/1630/1715/1720/1725/1925	Pin-on	X	X	X		NH Vibe Blue	2196007	60	2180060			671	4,999	1
1320/1520/1530/1620/1630/1715/1720/1725/1925	QA	X	X	X		NH Vibe Blue	2196007	60		2170000	2170060	760	5,553	1
T1510/T1520/T2210/T2220	Pin-on	X	X	X		NH Vibe Blue	2196007	60	2180060			671	4,999	1
T1510/T1520/T2210/T2220	QA	X	X	X		NH Vibe Blue	2196007	60		2170000	2170060	760	5,553	1
TC25/TC25D/TC29/TC29D/TC29DA/TC30/TC30D/TC31DA/TC33/TC33DA/TC34/TC34DA	Pin-on	X	X	X		NH Vibe Blue	2196007	60	2180060			671	4,999	1
TC25/TC25D/TC29/TC29D/TC29DA/TC30/TC30D/TC31DA/TC33/TC33DA/TC34/TC34DA	QA	X	X	X		NH Vibe Blue	2196007	60		2170000	2170060	760	5,553	1
Workmaster 35/40	Pin-on		X	X		NH Vibe Blue	2196107	60	2180060			635	4,991	
Workmaster 35/40	QA		X	X		NH Vibe Blue	2196107	60		2170000	2170060	724	5,545	
JOHN DEERE®														
3120/3320/3520/3720	Pin-on	X	X	X		Green	2196001	60	2180160			663	4,295	2
3120/3320/3520/3720	QA	X	X	X		Green	2196001	60		2170000	2170160	752	4,849	2
KUBOTA®														
L2800/L3400	Pin-on	X	X	X		Orange	2196004	60	2180460			635	4,574	
L2800/L3400	QA	X	X	X		Orange	2196004	60		2170000	2170460	724	5,128	
L3200/L3800	Pin-on	X	X	X		Orange	2196004	60	2180460			635	4,574	
L3200/L3800	QA	X	X	X		Orange	2196004	60		2170000	2170460	724	5,128	
L3700SU	Pin-on		X	X		Orange	2196004	60	2180460			635	4,574	
L3700SU	QA		X	X		Orange	2196004	60		2170000	2170460	724	5,128	
YANMAR®														
EX2900/EX3200	Pin-on	X	X	X		Black	2196000	60	2180060			611	4,173	3, 4
EX2900/EX3200	QA	X	X	X		Black	2196000	60		2170000	2170060	700	4,727	3, 4

* Loader package includes mounting kit, 2-spool valve kit (if applicable), hose kit for loader valve and grill guard. Order bucket and quick attach coupler (if needed) separately.

Components – Loader Model LS96R

Part No.	Description	Shipping Wt. (lbs.)	Suggested List Price
2196000	LS96R Loader Package – Black to match Yanmar®	444	\$ 3,610.00
2196001	LS96R Loader Package – Green to match John Deere® (3020 Series)	496	3,732.00
2196002	LS96R Loader Package – Red to match Case IH® (Class II)	504	4,436.00
2196004	LS96R Loader Package – Orange to match Kubota® (Standard L Series)	468	4,011.00
2196007	LS96R Loader Package – Blue to match New Holland® (Class II)	504	4,436.00
2196107	LS96R Loader Package – Blue to match New Holland Workmaster	468	4,428.00

Part No.	Description	Width (in.)	Capacity	Shipping Wt. (lbs.)	Suggested List Price
2180060	Standard-Duty Loader Bucket, Black – Pin-on	60	8.4 cu. ft.	167	\$ 563.00
2170060	Standard-Duty Loader Bucket, Black – QA	60	8.4 cu. ft.	178	563.00
2180160	Standard-Duty Loader Bucket for John Deere – Pin-on	60	8.4 cu. ft.	167	563.00
2170160	Standard-Duty Loader Bucket for John Deere – QA	60	8.4 cu. ft.	178	563.00
2180460	Standard-Duty Loader Bucket, Orange to match Kubota – Pin-on	60	8.4 cu. ft.	167	563.00
2170460	Standard-Duty Loader Bucket, Orange to match Kubota – QA	60	8.4 cu. ft.	178	563.00
2170000	Quick Attachment Coupler Assembly			78	554.00

Miscellaneous – Loader Model LS96R

Part No.	Description	Shipping Wt. (lbs.)	Suggested List Price
1005093	Paint – Case of 12 Spray Cans – Red to match Case IH	13	\$ 178.00
1005094	Paint – Case of 12 Spray Cans – Yellow to match Cub Cadet®	13	178.00
1005095	Paint – Case of 12 Spray Cans – Blue to match New Holland Vibrant Blue	13	178.00
1005096	Paint – Case of 12 Spray Cans – Blue to match New Holland Ford® Blue	13	178.00
1005097	Paint – Case of 12 Spray Cans – Orange to match Kubota	13	178.00
1005098	Paint – Case of 12 Spray Cans – Red to match Massey Ferguson®	13	178.00

Tractor Notes – Loader Model LS96R

1. Not compatible with Super Steer front axle.
2. Requires John Deere selective control valve (SCV) for loader.
3. Tractor must have standard front weight bracket installed.
4. Tractor must be equipped with OEM control valve for loader.

LS96 Features and Specifications

FEATURES:

Midmount loader boom attachment
Fast D-Tach loader
Parking stands – stored in loader boom cross tube
Bucket rod level indicator
Manual tube on the loader boom cross tube
Optional Quick Attachment Coupler System
Construction grade, heavy-duty, round back bucket
2-year warranty

SPECIFICATIONS:

Fits 20 – 30 hp tractors (2WD & FWA)	Breakout at 19.7 inches ahead of bucket pivot pins: 1575 lbs.
Lift height: 96 inches	Maximum digging depth: 4 inches
Lift cylinders: 1.77 inches; Bucket cylinders: 1.77 inches	Maximum dump angle: 41 degrees
Lift capacity at bucket pins: 1125 lbs.	Attachment roll back angle: 24 degrees
Lift capacity at 19.7 inches ahead of bucket pivot pins: 800 lbs.	Reach at maximum height: 18 inches
Breakout at bucket pins: 2075 lbs.	Pivot pins diameter: 1.00 inch

To Order a Complete Loader Using the Woods® Quick Order System

- Find the tractor brand and model you are attempting to fit in the **Tractor/Loader Adaptability Chart**.
- Select the loader model you wish to price (each model belongs to a Loader Series, i.e., Compact Series).
- Go to the appropriate Loader Model **Quick Order** tab.
- Find the tractor brand / model you are fitting.
- Order loader frame.
- Order pin-on bucket or Quick Attachment Carrier System and quick attach bucket.
- Order completing kit.

Be sure to refer to the “Notes” column; Tractor Notes are found at the end of each tabbed section in the Loader price pages. Prices for each component are listed in the appropriate component section. If you have any questions, please contact Woods Dealer Services.

EXAMPLE

When ordering a loader to fit a Bobcat® tractor, model CT225 ROPS, do the following:

1. The Bobcat CT225 ROPS tractor is fit by one Woods loader model: LS96. (Reference Tractor/Loader Adaptability Chart.)
2. Flip to the LS96 **Quick Order** tab.
3. **Section 1** – Select tractor brand and model that the LS96 loader is to fit: Bobcat CT225 ROPS.
 - a. Order the loader frame #2109600 (Black).
 - b. Order the bucket #2180060 (60” pin attachment bucket).
Note: If selecting a quick change system, order Quick Attachment Coupler System and 60” QA bucket.
 - c. Order the completing kit #2100048H. Completing kit includes loader mount, hose kit (that will connect to tractor valve) and grill guard (if available). List price of complete loader is \$4,835; total weight is 843 lbs.

Unless noted, each "Loader Complete" STANDARD configuration includes loader, bucket, and completing kit (mount, hydraulics and grill guard, if grill guard is available). Any deviation from standard configuration will require ordering components individually.

Quick Order Section – Loader Model LS96

Tractor Brand / Model	Loader Pkg. Type	Fits Tractor Type				Loader Frame Color	Quick Order Part Numbers					Ship Wt. (lbs.)	Suggested List Price	Tractor Notes	
		2WD	4WD	ROPS	CAB		LS96 Loader Frame	Bucket Width (in.)	Pin-On Bucket	Quick Attach. Coupler	QA Bucket				Completing Kit *
BOBCAT®															
CT225/CT230/CT235	Pin-on		X	X		Black	2109600	60	2180060			2100048H	843	\$ 4,835	1
CT225/CT230/CT235	QA		X	X		Black	2109600	60		2170000	2170060	2100048H	935	5,389	1
KIOTI®															
CK27/CK30/CK35	Pin-on		X	X		Orange	2109604	60	2180060			2100048H	843	4,835	1
CK27/CK30/CK35	QA		X	X		Orange	2109604	60		2170000	2170060	2100048H	935	5,389	1
LANDINI®															
1-30/1-35	Pin-on		X	X		Black	2109600	60	2180060			2100048H	843	4,835	1
1-30/1-35	QA		X	X		Black	2109600	60		2170000	2170060	2100048H	935	5,389	1
McCORMICK®															
X10.30/X10.35	Pin-on		X	X		Red	2109611	60	2180060			2100048H	843	4,835	1
X10.30/X10.35	QA		X	X		Red	2109611	60		2170000	2170060	2100048H	935	5,389	1

* Completing Kits that end in H contain mounting kit, 4-hose kit (to connect loader to OEM remote valve) and grill guard, if available.

Unless noted, Completing Kits include Mount Kit, Woods® Hydraulic Package (or 4-Hose Kit for tractor remotes) and Grill Guard.

Completing Kits – Loader Model LS96

Tractor Brand / Model	Fits Tractor Type				Completing Kit Part No. **	Mount Kit	Woods® Hydraulic Package		OR	4-Hose Kit	Grill Guard	Ship Wt. (lbs.)	Suggested List Price	Notes
	2WD	4WD	ROPS	CAB			Connects to OEM Valve or Remotes	2-Spool Valve Kit		Hoses for Loader Valve				
BOBCAT®														
CT225/CT230/CT235		X	X		2100048H	2100048	N/A	N/A		1025739	1033435	211	\$ 1,378	1
KIOTI®														
CK27/CK30/CK35		X	X		2100048H	2100048	N/A	N/A		1025739	1033435	211	1,378	1
LANDINI®														
1-30/1-35		X	X		2100048H	2100048	N/A	N/A		1025739	1033435	211	1,378	1
McCORMICK®														
X10.30/X10.35		X	X		2100048H	2100048	N/A	N/A		1025739	1033435	211	1,378	1

** Completing Kits that end in H contain mounting kit, 4-hose kit (to connect loader to OEM remote valve) and grill guard, if available.
N/A = Not Available

Miscellaneous – Loader Model LS96

Part No.	Description	Shipping Wt. (lbs.)	Suggested List Price
1005093	Paint – Case of 12 Spray Cans – Red to match Case IH®	13	\$ 178.00
1005094	Paint – Case of 12 Spray Cans – Yellow to match Cub Cadet®	13	178.00
1005095	Paint – Case of 12 Spray Cans – Blue to match New Holland® Vibrant Blue	13	178.00
1005096	Paint – Case of 12 Spray Cans – Blue to match New Holland Ford® Blue	13	178.00
1005097	Paint – Case of 12 Spray Cans – Orange to match Kubota®	13	178.00
1005098	Paint – Case of 12 Spray Cans – Red to match Massey Ferguson®	13	178.00

SUB-COMPACT SERIES LOADERS – TRACTOR NOTES**SECTION 4****Tractor Notes – Loader Model LS96**

1. Hose kit connects to OEM loader valve supplied with tractor.

LS96 Features and Specifications

FEATURES:

Midmount loader boom attachment
Fast D-Tach loader
Parking stands – stored in loader boom cross tube
Bucket rod level indicator
Manual tube on the loader boom cross tube
Optional Quick Attachment Coupler System
Construction grade, heavy-duty, round back bucket
2-year warranty

SPECIFICATIONS:

Fits 20 – 30 hp tractors (2WD & FWA)	Breakout at 19.7 inches ahead of bucket pivot pins: 1575 lbs.
Lift height: 96 inches	Maximum digging depth: 4 inches
Lift cylinders: 1.77 inches; Bucket cylinders: 1.77 inches	Maximum dump angle: 41 degrees
Lift capacity at bucket pins: 1125 lbs.	Attachment roll back angle: 24 degrees
Lift capacity at 19.7 inches ahead of bucket pivot pins: 800 lbs.	Reach at maximum height: 18 inches
Breakout at bucket pins: 2075 lbs.	Pivot pins diameter: 1.00 inch

To Order a Complete Loader by Ordering Individual Components

- Find the tractor brand and model you are attempting to fit in the **Tractor/Loader Adaptability Chart**.
- Select the loader model you wish to price (each model belongs to a Loader Series, i.e., Compact Series).
- Go to the appropriate Loader Model **Component Order** tab.
- Find the tractor brand / model you are fitting in the **Tractor Reference** section – part numbers needed to configure a loader are listed (except loader frame and bucket).
- Order loader frame.
- Order front-end attachment(s).
- Order mounting kit.
- Order 4-hose kit to connect to OEM remote valve.
- Order grill guard.

Be sure to refer to the “Notes” column; Tractor Notes are found at the end of each tabbed section in the Loader price pages. Prices for each component are listed in the appropriate component section. If you have any questions, please contact Woods® Dealer Services.

EXAMPLE:

When ordering a loader to fit a McCormick® tractor, model X10.30 ROPS, do the following:

1. The McCormick X10.30 ROPS tractor is fit by one Woods loader model: LS96. (Reference Tractor/Loader Adaptability Chart.)
2. Flip to the LS96 **Components** tab and go to the Tractor Reference Chart for components to order to complete the LS96 Loader.
 - a. **Section 1** – Order the loader frame #2109611 (Red to match McCormick).
 - b. **Section 2** – Order the bucket #2180060 (60” pin attachment bucket).
Note: If selecting a quick change system, order Quick Attachment Coupler System and buckets compatible with the Quick Attachment Coupler System. Other front end attachments may be ordered within this section.
 - c. **Section 3** – Order the mounting kit #2100048.
 - d. **Section 4** – Order the 4-hose kit #1025739 to connect to OEM remote valve.
 - e. **Section 5** – Order grill guard #1034243.

SUB-COMPACT SERIES LOADERS – MODEL LS96 TRACTOR REFERENCE CHART

Tractor Brand / Model	Fits Tractor Type				Mount Kit	Hydraulic Package		or	4-Hose Kit	Grill Guard	OEM Mid-Mower Compat.	Tractor Notes
	2WD	4WD	ROPS	CAB		2-Spool Valve Kit	Hoses for Loader Valve		Connects to OEM Valve			
BOBCAT®												
CT225/CT230/CT235		X	X		2100048	N/A	N/A		1025739	1033435		1
KIOTI®												
CK27/CK30/CK35		X	X		2100048	N/A	N/A		1025739	1033435		1
LANDINI®												
1-30/1-35		X	X		2100048	N/A	N/A		1025739	1033435		1
McCORMICK®												
X10.30/X10.35		X	X		2100048	N/A	N/A		1025739	1033435		1

N/A = Not Available

SUB-COMPACT SERIES LOADERS – LOADER FRAMES

SECTION 1

Frames – Loader Model LS96

Part No.	Description	Shipping Wt. (lbs.)	Suggested List Price
2109600	Black (Universal)	468	\$ 2,894.00
2109604	Orange to match Kubota®	468	2,894.00
2109611	Red to match McCormick®	468	2,894.00

SUB-COMPACT SERIES LOADERS – BUCKETS

SECTION 2

Buckets – Loader Model LS96

STANDARD BUCKETS – PIN ATTACHMENT – Or choose Quick Attachment Coupler in sections below

Part No.	Width (in.)	Description	Capacity	Shipping Wt. (lbs.)	Suggested List Price	Qty. of 5 List Price *
2180060	60	Standard-Duty Loader Bucket – Pin Attachment	8.4 cu. ft.	164	\$ 563.00	—

OPTIONAL QUICK ATTACHMENT COUPLER SYSTEM – Order in place of Standard Bucket above

2170000		Quick Attachment Coupler Assembly		78	\$ 554.00	—
---------	--	-----------------------------------	--	----	-----------	---

OPTIONAL BUCKET – Compatible with Quick Attachment Coupler System

2170060	60	Standard-Duty Loader Bucket – Quick Attachment Coupler System	8.4 cu. ft.	178	\$ 563.00	—
---------	----	---	-------------	-----	-----------	---

SKID STEER ATTACHMENTS – Compatible with Quick Attachment Coupler System

52756	60	MF6000 – 60" Manure Fork		349	\$ 2,070.00	—
52753	50	GF3000 – Grapple Attachment for Manure Forks		260	2,209.00	—
1037170		BS3044S – Single Bale Spear w/2 Stabilizer Spikes – Skid Steer Quick Attach	3000 lbs.	198	690.00	\$ 621.00
1037171		BS6044S – Double Bale Spear – Skid Steer Quick Attach	6000 lbs.	231	840.00	756.00
1022532		PF2042S – Pallet Fork with 42" Pivoting Tines	2000 lbs.	280	1,013.00	912.00
1038172		PF4436S – Pallet Fork with 36" Lockdown Tines	4400 lbs.	394	1,079.00	971.00
1038173		PF4442S – Pallet Fork with 42" Lockdown Tines	4400 lbs.	409	1,110.00	999.00
1038174		PF4448S – Pallet Fork with 48" Lockdown Tines	4400 lbs.	428	1,129.00	1,016.00

* Order 5 units in any combination of bale spears or any combination of pallet forks to receive an additional 10% discount.

OPTIONAL WEIGHT BOX FOR THREE-POINT HITCH

1006124		Weight Box for Rear Ballast – Fits Category 1, 3-Point Hitch	6.0 cu. ft.	113	\$ 473.00	—
---------	--	--	-------------	-----	-----------	---

SUB-COMPACT SERIES LOADERS – MOUNTING KITS

SECTION 3

Mounting Kits – Loader Model LS96

Mount Kit Part No.	Tractor Brand / Model	Fits Tractor Type				Ship Wt. (lbs.)	Suggested List Price
		2WD	4WD	ROPS	CAB		
BOBCAT®							
2100048	CT225/CT230/CT235		X	X		174	\$ 863.00
KIOTI®							
2100048	CK27/CK30/CK35		X	X		174	863.00
LANDINI®							
2100048	1-30/1-35		X	X		174	\$ 863.00
McCORMICK®							
2100048	X10.30/X10.35		X	X		174	863.00

SUB-COMPACT SERIES LOADERS – HOSE KITS

SECTION 4

Hose Kits – Loader Model LS96

Part No.	Description	Shipping Wt. (lbs.)	Suggested List Price
1025739	Hose Kit – (4) 60" Hoses with couplers, Bobcat®, Kioti®, Landini® and McCormick®, ref. 2100048 mount kit	9	\$ 373.00

SUB-COMPACT SERIES LOADERS – GRILL GUARDS

SECTION 5

Grill Guards – Loader Model LS96

Part No.	Description	Shipping Wt. (lbs.)	Suggested List Price
1033435	Grill Guard – Bobcat, Kioti, Landini and McCormick, reference 2100048 mount kit	28	\$ 142.00

SUB-COMPACT SERIES LOADERS – MISCELLANEOUS

SECTION 6

Miscellaneous – Loader Model LS96

Part No.	Description	Shipping Wt. (lbs.)	Suggested List Price
1005093	Paint – Case of 12 Spray Cans – Red to match Case IH®	13	\$ 178.00
1005094	Paint – Case of 12 Spray Cans – Yellow to match Cub Cadet®	13	178.00
1005095	Paint – Case of 12 Spray Cans – Blue to match New Holland® Vibrant Blue	13	178.00
1005096	Paint – Case of 12 Spray Cans – Blue to match New Holland Ford® Blue	13	178.00
1005097	Paint – Case of 12 Spray Cans – Orange to match Kubota®	13	178.00
1005098	Paint – Case of 12 Spray Cans – Red to match Massey Ferguson®	13	178.00

SUB-COMPACT SERIES LOADERS – TRACTOR NOTES

SECTION 7

Tractor Notes – Loader Model LS96

1. Hose kit connects to OEM loader valve supplied with tractor.

LC96 Features and Specifications

FEATURES:

- Curved loader boom
- Midmount loader boom attachment
- Fast D-Tach loader
- Parking stands – stored in loader boom cross tube
- Bucket rod level indicator
- Manual tube on the loader boom cross tube
- Optional Quick Attachment Coupler System
- Construction grade, heavy-duty, round back bucket
- 2-year warranty

SPECIFICATIONS:

- Fits 20 – 35 hp tractors (2WD & FWA)
- Lift height: 96 inches
- Lift cylinders: 1.77 inches; Single bucket cylinder: 2.76 inches
- Lift capacity at bucket pins: 1200 lbs.
- Lift capacity at 19.7 inches ahead of bucket pivot pins: 900 lbs.
- Breakout at bucket pins: 2150 lbs.



- Breakout at 19.7 inches ahead of bucket pivot pins: 1650 lbs.
- Maximum digging depth: 4 inches
- Dump angle: 45 degrees
- Roll back angle: 24 degrees
- Reach: 30 inches
- Pivot pins diameter: 1.00 and 1.25 inches

To Order a Complete Loader Using the Woods® Quick Order System

- Find the tractor brand and model you are attempting to fit in the **Tractor/Loader Adaptability Chart**.
- Select the loader model you wish to price (each model belongs to a Loader Series, i.e., Compact Series).
- Go to the appropriate Loader Model **Quick Order** tab.
- Find the tractor brand / model you are fitting.
- Order loader frame.
- Order pin-on bucket or Quick Attachment Carrier System and quick attach bucket.
- Order completing kit.

Be sure to refer to the “Notes” column; Tractor Notes are found at the end of each tabbed section in the Loader price pages. Prices for each component are listed in the appropriate component section. If you have any questions, please contact Woods Dealer Services.

EXAMPLE

When ordering a loader to fit a Kubota® tractor, model L3540 ROPS, do the following:

1. The Kubota L3540 ROPS tractor is fit by two Woods loader models: LC96 and LC102. (Reference the Tractor/Loader Adaptability Chart.) We are selecting the LC96 model.
2. Flip to the LC96 **Quick Order** tab.
3. **Section 1** – Select tractor brand and model that the LC96 loader is to fit: Kubota L3540 ROPS.
 - a. Order the loader frame #2209624 (Orange to match Kubota).
 - b. Order the bucket #2230066 (66” pin attachment bucket).
Note: If selecting a quick change system, order Quick Attachment Coupler System and 66” QA bucket.
 - c. Order the completing kit #2200004H. Completing kit includes loader mount, hose kit (that will connect to tractor valve) and grill guard (if available). List price of complete loader is \$5,684; total weight is 1030 lbs.

Unless noted, each "Loader Complete" STANDARD configuration includes loader, bucket, and completing kit (mount, hydraulics and grill guard, if grill guard is available). Any deviation from standard configuration will require ordering components individually.

Quick Order Section – Loader Model LC96

Tractor Brand / Model	Loader Pkg. Type	Fits Tractor Type				Loader Frame Color	Quick Order Part Numbers					Ship Wt. (lbs.)	Suggested List Price	Tractor Notes	
		2WD	4WD	ROPS	CAB		LC96 Loader Frame	Bucket Width (in.)	Pin-On Bucket	Quick Attach. Coupler	QA Bucket				Completing Kit *
AGCO®															
ST34A/ST41A	Pin-on		X	X		Orange	2209620	66	2230066			111787D	1047	\$ 7,271	
ST34A/ST41A	QA		X	X		Orange	2209620	66		2200000	2240066	111787D	1136	7,876	
ST35 Hydro/ST40 Hydro	Pin-on	X	X	X		Orange	2209620	66	2230066			111777D	1059	7,285	
ST35 Hydro/ST40 Hydro	QA	X	X	X		Orange	2209620	66		2200000	2240066	111777D	1148	7,890	
ST35/ST35X/ST40/ST40X (All Non-Hydro Models)	Pin-on	X	X	X		Orange	2209620	66	2230066			111770D	1075	7,285	
ST35/ST35X/ST40/ST40X (All Non-Hydro Models)	QA	X	X	X		Orange	2209620	66		2200000	2240066	111770D	1164	7,890	
ST47A/ST52A	Pin-on		X	X		Orange	2209620	66	2230066			211714H1	1034	6,136	15
ST47A/ST52A	QA		X	X		Orange	2209620	66		2200000	2240066	211714H1	1123	6,741	15
BOBCAT®															
CT440/CT445/CT450	Pin-on		X	X	X	Black	2209620	66	2230066			2200037H	TBD	6,236	22
CT440/CT445/CT450	QA		X	X	X	Black	2209620	66		2200000	2240066	2200037H	TBD	6,841	22
BRANSON®															
2910/3510/3820/4220/4720	Pin-on		X	X		Red	2209629	66	2230066			111789D1	1066	6,910	
2910/3510/3820/4220/4720	QA		X	X		Red	2209629	66		2200000	2240066	111789D1	1155	7,515	
2910i/3110i/3510i	Pin-on		X	X		Red	2209629	66	2230066			2200017D	1176	6,911	20
2910i/3110i/3510i	QA		X	X		Red	2209629	66		2200000	2240066	2200017D	1266	7,516	20
3510h/4720h	Pin-on		X	X		Red	2209629	66	2230066			2200017D1	1172	6,911	20
3510h/4720h	QA		X	X		Red	2209629	66		2200000	2240066	2200017D1	1262	7,516	20
CASE IH®															
244/245/254/255	Pin-on	X	X	X		Red	2209622	66	2230066			111750D	954	7,005	
244/245/254/255	QA	X	X	X		Red	2209622	66		2200000	2240066	111750D	1043	7,610	
D25/DX25/D29/DX29/DX31/D33/DX33/DX34	Pin-on	X	X	X		Red	2209622	66	2230066			2200014D	1077	7,236	12
D25/DX25/D29/DX29/DX31/D33/DX33/DX34	QA	X	X	X		Red	2209622	66		2200000	2240066	2200014D	1167	7,841	12
D25/DX25/D29/DX29/DX31/D33/DX33/DX34	Pin-on	X	X	X		Red	2209622	66	2230066			2200014H	985	6,230	1, 12
D25/DX25/D29/DX29/DX31/D33/DX33/DX34	QA	X	X	X		Red	2209622	66		2200000	2240066	2200014H	1075	6,835	1, 12
D35/DX35/D40/DX40/D45/DX45	Pin-on	X	X	X		Red	2209622	66	2230066			2200015D	1030	7,256	
D35/DX35/D40/DX40/D45/DX45	QA	X	X	X		Red	2209622	66		2200000	2240066	2200015D	1121	7,861	
D35/DX35/D40/DX40/D45/DX45	Pin-on	X	X	X	X	Red	2209622	66	2230066			2200015H	994	6,164	16
D35/DX35/D40/DX40/D45/DX45	QA	X	X	X	X	Red	2209622	66		2200000	2240066	2200015H	1084	6,769	16
Farmall® 30B/35B	Pin-on	X	X	X		Red	2209622	60	2230060			2200033H	1011	5,938	21
Farmall 30B/35B	QA	X	X	X		Red	2209622	60		2200000	2240060	2200033H	1091	6,543	21
Farmall 31/35	Pin-on	X	X	X		Red	2209622	66	2230066			2200014D	1077	7,236	12
Farmall 31/35	QA	X	X	X		Red	2209622	66		2200000	2240066	2200014D	1167	7,841	12
Farmall 31/35	Pin-on	X	X	X		Red	2209622	66	2230066			2200014H	985	6,230	1, 12
Farmall 31/35	QA	X	X	X		Red	2209622	66		2200000	2240066	2200014H	1075	6,835	1, 12

* Completing Kits that end in D, D1, D2 or D3 contain mounting kit, Woods Hydraulic Package (2-spool direct control valve and hose kit) and grill guard, if available. Completing Kits that end in C1 contain mounting kit, Woods Hydraulic Package (2-spool cable control valve and hose kit) and grill guard, if available. Completing Kits that end in H, H1 or H2 contain mounting kit, 4-hose kit (to connect loader to OEM remote valve) and grill guard, if available.

Unless noted, each "Loader Complete" STANDARD configuration includes loader, bucket, and completing kit (mount, hydraulics and grill guard, if grill guard is available). Any deviation from standard configuration will require ordering components individually.

Quick Order Section – Loader Model LC96 (Continued)

Tractor Brand / Model	Loader Pkg. Type	Fits Tractor Type				Loader Frame Color	Quick Order Part Numbers					Ship Wt. (lbs.)	Suggested List Price	Tractor Notes	
		2WD	4WD	ROPS	CAB		LC96 Loader Frame	Bucket Width (in.)	Pin-On Bucket	Quick Attach. Coupler	QA Bucket				Completing Kit *
CASE IH® (Continued)															
Farmall® 40/45/50	Pin-on	X	X	X		Red	2209622	66	2230066			2200015D	1030	\$ 7,256	
Farmall 40/45/50	QA	X	X	X		Red	2209622	66		2200000	2240066	2200015D	1120	7,861	
Farmall 40/45/50	Pin-on	X	X	X	X	Red	2209622	66	2230066			2200015H	994	6,164	16
Farmall 40/45/50	QA	X	X	X	X	Red	2209622	66		2200000	2240066	2200015H	1084	6,769	16
Farmall 40B/50B	Pin-on	X	X	X		Red	2209622	66	2230066			2200034H	TBD	6,008	21
Farmall 40B/50B	QA	X	X	X		Red	2209622	66		2200000	2240066	2200034H	TBD	6,613	21
CHALLENGER®															
MT265B/MT275B	Pin-on		X	X		Black	2209620	66	2230066			111787D	1034	7,271	
MT265B/MT275B	QA		X	X		Black	2209620	66		2200000	2240066	111787D	1160	7,876	
MT285B/MT295B	Pin-on		X	X	X	Black	2209620	66	2230066			211714H1	1034	6,136	15
MT285B/MT295B	QA		X	X	X	Black	2209620	66		2200000	2240066	211714H1	1123	6,741	15
CUB CADET®															
7260/7265/7300/7305	Pin-on	X	X	X		Yellow	2209628	66	2230066			111730D	1091	6,981	7, 9
7260/7265/7300/7305	QA	X	X	X		Yellow	2209628	66		2200000	2240066	111730D	1180	7,586	7, 9
7360	Pin-on	X	X	X		Yellow	2209628	66	2230066			111732D	1069	6,849	
7360	QA	X	X	X		Yellow	2209628	66		2200000	2240066	111732D	1158	7,454	
7530/7532	Pin-on		X	X		Yellow	2209628	66	2230066			211712D	988	6,994	7
7530/7532	QA		X	X		Yellow	2209628	66		2200000	2240066	211712D	1077	7,599	7
8354	Pin-on		X	X		Yellow	2209628	66	2230066			111783D1	1134	7,249	
8354	QA		X	X		Yellow	2209628	66		2200000	2240066	111783D1	1223	7,854	
8404	Pin-on		X	X		Yellow	2209628	66	2230066			111775D1	992	6,970	
8404	QA		X	X		Yellow	2209628	66		2200000	2240066	111775D1	1081	7,575	
8454	Pin-on		X	X		Yellow	2209628	66	2230066			111774D1	1069	7,038	
8454	QA		X	X		Yellow	2209628	66		2200000	2240066	111774D1	1158	7,643	
EX2900/EX3200	Pin-on		X	X		Yellow	2209628	60	2230060			2200016H	913	6,017	19
EX2900/EX3200	QA		X	X		Yellow	2209628	60		2200000	2170060	2200016H	965	6,235	19
FORD® & NEW HOLLAND®															
1310/1510	Pin-on	X	X	X		Fd-NH Blue	2209623	66	2230066			111745D	1041	7,036	
1310/1510	QA	X	X	X		Fd-NH Blue	2209623	66		2200000	2240066	111745D	1130	7,641	
1320/1520/1620/1715	Pin-on	X	X	X		Fd-NH Blue	2209623	66	2230066			111755D1	1046	7,145	12
1320/1520/1620/1715	QA	X	X	X		Fd-NH Blue	2209623	66		2200000	2240066	111755D1	1135	7,750	12
1530/1630	Pin-on	X	X	X		Fd-NH Blue	2209623	66	2230066			111755D1	1046	7,145	1, 2, 12
1530/1630	QA	X	X	X		Fd-NH Blue	2209623	66		2200000	2240066	111755D1	1135	7,750	1, 2, 12
1530/1630	Pin-on	X	X	X		Fd-NH Blue	2209623	66	2230066			111755H	1003	5,984	1, 2, 12
1530/1630	QA	X	X	X		Fd-NH Blue	2209623	66		2200000	2240066	111755H	1092	6,589	1, 2, 12
1700/1900/1900 TURF	Pin-on	X	X	X		Fd-NH Blue	2209623	66	2230066			111744D	1029	7,249	3
1700/1900/1900 TURF	QA	X	X	X		Fd-NH Blue	2209623	66		2200000	2240066	111744D	1118	7,854	3
1710	Pin-on	X	X	X		Fd-NH Blue	2209623	66	2230066			111745D	1041	7,036	
1710	QA	X	X	X		Fd-NH Blue	2209623	66		2200000	2240066	111745D	1130	7,641	
1720	Pin-on	X	X	X		Fd-NH Blue	2209623	66	2230066			111755D1	1046	7,145	
1720	QA	X	X	X		Fd-NH Blue	2209623	66		2200000	2240066	111755D1	1135	7,750	
1725/1925	Pin-on	X	X	X		NH Vib Blue	2209627	66	2230066			111755D1	1046	7,145	1, 12
1725/1925	QA	X	X	X		NH Vib Blue	2209627	66		2200000	2240066	111755D1	1135	7,750	1, 12
1725/1925	Pin-on	X	X	X		NH Vib Blue	2209627	66	2230066			111755H	1003	5,984	1, 12
1725/1925	QA	X	X	X		NH Vib Blue	2209627	66		2200000	2240066	111755H	1092	6,589	1, 12

* Completing Kits that end in D, D1, D2 or D3 contain mounting kit, Woods Hydraulic Package (2-spool direct control valve and hose kit) and grill guard, if available.
 Completing Kits that end in C1 contain mounting kit, Woods Hydraulic Package (2-spool cable control valve and hose kit) and grill guard, if available.
 Completing Kits that end in H, H1 or H2 contain mounting kit, 4-hose kit (to connect loader to OEM remote valve) and grill guard, if available.

Unless noted, each "Loader Complete" STANDARD configuration includes loader, bucket, and completing kit (mount, hydraulics and grill guard, if grill guard is available). Any deviation from standard configuration will require ordering components individually.

Quick Order Section – Loader Model LC96 (Continued)

Tractor Brand / Model	Loader Pkg. Type	Fits Tractor Type				Loader Frame Color	Quick Order Part Numbers					Ship Wt. (lbs.)	Suggested List Price	Tractor Notes	
		2WD	4WD	ROPS	CAB		LC96 Loader Frame	Bucket Width (in.)	Pin-On Bucket	Quick Attach. Coupler	QA Bucket				Completing Kit *
FORD® & NEW HOLLAND® (Continued)															
1910/2110	Pin-on	X	X	X		Fd-NH Blue	2209623	66	2230066			111746D1	939	\$ 6,968	
1910/2110	QA	X	X	X		Fd-NH Blue	2209623	66		2200000	2240066	111746D1	1028	7,573	
1920	Pin-on	X	X	X		Fd-NH Blue	2209623	66	2230066			111758D1	1062	7,147	
1920	QA	X	X	X		Fd-NH Blue	2209623	66		2200000	2240066	111758D1	1151	7,752	
2120	Pin-on	X	X	X		Fd-NH Blue	2209623	66	2230066			111735D1	1041	7,319	
2120	QA	X	X	X		Fd-NH Blue	2209623	66		2200000	2240066	111735D1	1130	7,924	
3415	Pin-on	X		X		NH Vib Blue	2209627	66	2230066			111735D1	1041	7,319	
3415	QA	X		X		NH Vib Blue	2209627	66		2200000	2240066	111735D1	1130	7,924	
Boomer 30/35	Pin-on	X	X	X		NH Vib Blue	2209627	60	2230060			2200033H	1011	5,938	21
Boomer 30/35	QA	X	X	X		NH Vib Blue	2209627	60		2200000	2240060	2200033H	1091	6,543	21
Boomer 40/50	Pin-on	X	X	X		NH Vib Blue	2209627	66	2230066			2200034H	TBD	6,008	21
Boomer 40/50	QA	X	X	X		NH Vib Blue	2209627	66		2200000	2240066	2200034H	TBD	6,613	21
Boomer 3040/3045/3050, 8N	Pin-on	X	X	X	X	NH Vib Blue	2209627	66	2230066			2200015D	1030	7,256	16
Boomer 3040/3045/3050, 8N	QA	X	X	X	X	NH Vib Blue	2209627	66		2200000	2240066	2200015D	1120	7,861	16
T1530	Pin-on	X	X	X		NH Vib Blue	2209627	66	2230066			2200015D	1030	7,256	
T1530	QA	X	X	X		NH Vib Blue	2209627	66		2200000	2240066	2200015D	1120	7,861	
T2210/T2220 with or without Super Steer	Pin-on	X	X	X		NH Vib Blue	2209627	66	2230066			2200014D	1077	7,236	12
T2210/T2220 with or without Super Steer	QA	X	X	X		NH Vib Blue	2209627	66		2200000	2240066	2200014D	1167	7,841	12
T2210/T2220 with or without Super Steer	Pin-on	X	X	X		NH Vib Blue	2209627	66	2230066			2200014H	985	6,230	1, 12
T2210/T2220 with or without Super Steer	QA	X	X	X		NH Vib Blue	2209627	66		2200000	2240066	2200014H	1075	6,835	1, 12
T2310/T2320/T2330 w/ or w/out Super Steer	Pin-on	X	X	X		NH Vib Blue	2209627	66	2230066			2200015D	1030	7,256	
T2310/T2320/T2330 w/ or w/out Super Steer	QA	X	X	X		NH Vib Blue	2209627	66		2200000	2240066	2200015D	1120	7,861	
T2310/T2320/T2330 w/ or w/out Super Steer	Pin-on	X	X	X	X	NH Vib Blue	2209627	66	2230066			2200015H	994	6,164	16
T2310/T2320/T2330 w/ or w/out Super Steer	QA	X	X	X	X	NH Vib Blue	2209627	66		2200000	2240066	2200015H	1084	6,769	16
TC25/TC25D/TC29/TC29D/TC29DA/TC31DA/TC33/TC33D/TC33DA/TC34DA with or without Super Steer	Pin-on	X	X	X		NH Vib Blue	2209627	66	2230066			2200014D	1077	7,236	12
TC25/TC25D/TC29/TC29D/TC29DA/TC31DA/TC33/TC33D/TC33DA/TC34DA with or without Super Steer	QA	X	X	X		NH Vib Blue	2209627	66		2200000	2240066	2200014D	1167	7,841	12
TC25/TC25D/TC29/TC29D/TC29DA/TC31DA/TC33/TC33D/TC33DA/TC34DA with or without Super Steer	Pin-on	X	X	X		NH Vib Blue	2209627	66	2230066			2200014H	985	6,230	1, 12
TC25/TC25D/TC29/TC29D/TC29DA/TC31DA/TC33/TC33D/TC33DA/TC34DA with or without Super Steer	QA	X	X	X		NH Vib Blue	2209627	66		2200000	2240066	2200014H	1075	6,835	1, 12

* Completing Kits that end in D, D1, D2 or D3 contain mounting kit, Woods Hydraulic Package (2-spool direct control valve and hose kit) and grill guard, if available. Completing Kits that end in C1 contain mounting kit, Woods Hydraulic Package (2-spool cable control valve and hose kit) and grill guard, if available. Completing Kits that end in H, H1 or H2 contain mounting kit, 4-hose kit (to connect loader to OEM remote valve) and grill guard, if available.

Unless noted, each "Loader Complete" STANDARD configuration includes loader, bucket, and completing kit (mount, hydraulics and grill guard, if grill guard is available). Any deviation from standard configuration will require ordering components individually.

Quick Order Section – Loader Model LC96 (Continued)

Tractor Brand / Model	Loader Pkg. Type	Fits Tractor Type				Loader Frame Color	Quick Order Part Numbers					Ship Wt. (lbs.)	Suggested List Price	Tractor Notes	
		2WD	4WD	ROPS	CAB		LC96 Loader Frame	Bucket Width (in.)	Pin-On Bucket	Quick Attach. Coupler	QA Bucket				Completing Kit *
FORD® & NEW HOLLAND® (Continued)															
TC30/T1510/T1520	Pin-on	X	X	X		NH Vib Blue	2209627	66	2230066			2200013D	1021	\$ 7,104	18
TC30/T1510/T1520	QA	X	X	X		NH Vib Blue	2209627	66		2200000	2240066	2200013D	1111	7,709	18
TC35/TC35A/TC35D/TC40/TC40A/TC40D/TC40DA/TC45/TC45A/TC45D/TC45DA with or without Super Steer	Pin-on	X	X	X		NH Vib Blue	2209627	66	2230066			2200015D	1030	7,256	
TC35/TC35A/TC35D/TC40/TC40A/TC40D/TC40DA/TC45/TC45A/TC45D/TC45DA with or without Super Steer	QA	X	X	X		NH Vib Blue	2209627	66		2200000	2240066	2200015D	1120	7,861	
TC35/TC35A/TC35D/TC40/TC40A/TC40D/TC40DA/TC45/TC45A/TC45D/TC45DA with or without Super Steer	Pin-on	X	X	X	X	NH Vib Blue	2209627	66	2230066			2200015H	994	6,164	16
TC35/TC35A/TC35D/TC40/TC40A/TC40D/TC40DA/TC45/TC45A/TC45D/TC45DA with or without Super Steer	QA	X	X	X	X	NH Vib Blue	2209627	66		2200000	2240066	2200015H	1084	6,769	16
JOHN DEERE®															
750	Pin-on	X	X	X		Green	2209621	66	2230066			111752D	1011	7,107	
750	QA	X	X	X		Green	2209621	66		2200000	2240066	111752D	1105	7,712	
850 (SN 8999 & Prior)	Pin-on	X		X		Green	2209621	66	2230066			111743D3	1016	7,177	
850 (SN 8999 & Prior)	QA	X		X		Green	2209621	66		2200000	2240066	111743D3	1105	7,782	
850 (SN 9000 & Later)	Pin-on	X		X		Green	2209621	66	2230066			111743D2	1017	7,177	
850 (SN 9000 & Later)	QA	X		X		Green	2209621	66		2200000	2240066	111743D2	1106	7,782	
870/970/1070 (Power Steering only)	Pin-on	X	X	X		Green	2209621	66	2230066			111742D1	1000	7,075	4
870/970/1070 (Power Steering only)	QA	X	X	X		Green	2209621	66		2200000	2240066	111742D1	1089	7,680	4
870/970/1070 (Power Steering only)	Pin-on	X	X	X		Green	2209621	66	2230066			111742H1	955	5,983	4
870/970/1070 (Power Steering only)	QA	X	X	X		Green	2209621	66		2200000	2240066	111742H1	1044	6,588	4
950 (SN 11999 & Prior)	Pin-on	X	X	X		Green	2209621	66	2230066			111743D3	1016	7,177	
950 (SN 11999 & Prior)	QA	X	X	X		Green	2209621	66		2200000	2240066	111743D3	1105	7,782	
950 (SN 12000 & Later)	Pin-on	X	X	X		Green	2209621	66	2230066			111743D2	1017	7,177	
950 (SN 12000 & Later)	QA	X	X	X		Green	2209621	66		2200000	2240066	111743D2	1106	7,782	
990	Pin-on	X	X	X		Green	2209621	66	2230066			111742D1	1000	7,075	4
990	QA	X	X	X		Green	2209621	66		2200000	2240066	111742D1	1089	7,680	4
990	Pin-on	X	X	X		Green	2209621	66	2230066			111742H1	955	5,983	4
990	QA	X	X	X		Green	2209621	66		2200000	2240066	111742H1	1044	6,588	4
1050	Pin-on	X	X	X		Green	2209621	66	2230066			111743D2	1016	7,177	
1050	QA	X	X	X		Green	2209621	66		2200000	2240066	111743D2	1105	7,782	
3120/3320/3520/3720	Pin-on		X	X		Green	2209621	66	2230066			211716H	943	6,157	6
3120/3320/3520/3720	QA		X	X		Green	2209621	66		2200000	2240066	211716H	1032	6,762	6
3203	Pin-on		X	X		Green	2209621	66	2230066			211716H	943	6,157	6
3203	QA		X	X		Green	2209621	66		2200000	2240066	211716H	1032	6,762	6
4120/4320/4520/4720	Pin-on	X	X	X		Green	2209621	66	2230066			211713H1	956	5,736	6
4120/4320/4520/4720	QA	X	X	X		Green	2209621	66		2200000	2240066	211713H1	1045	6,341	6

* Completing Kits that end in D, D1, D2 or D3 contain mounting kit, Woods Hydraulic Package (2-spool direct control valve and hose kit) and grill guard, if available.
 Completing Kits that end in C1 contain mounting kit, Woods Hydraulic Package (2-spool cable control valve and hose kit) and grill guard, if available.
 Completing Kits that end in H, H1 or H2 contain mounting kit, 4-hose kit (to connect loader to OEM remote valve) and grill guard, if available.

Unless noted, each "Loader Complete" STANDARD configuration includes loader, bucket, and completing kit (mount, hydraulics and grill guard, if grill guard is available). Any deviation from standard configuration will require ordering components individually.

Quick Order Section – Loader Model LC96 (Continued)

Tractor Brand / Model	Loader Pkg. Type	Fits Tractor Type				Loader Frame Color	Quick Order Part Numbers					Ship Wt. (lbs.)	Suggested List Price	Tractor Notes	
		2WD	4WD	ROPS	CAB		LC96 Loader Frame	Bucket Width (in.)	Pin-On Bucket	Quick Attach. Coupler	QA Bucket				Completing Kit *
JOHN DEERE® (Continued)															
4200/4300/4400	Pin-on	X	X	X		Green	2209621	66	2230066			111754H	934	\$ 6,089	6
4200/4300/4400	QA	X	X	X		Green	2209621	66		2200000	2240066	111754H	1023	6,694	6
4210/4310/4410	Pin-on	X	X	X		Green	2209621	66	2230066			111776H	952	5,946	6
4210/4310/4410	QA	X	X	X		Green	2209621	66		2200000	2240066	111776H	1041	6,551	6
4500/4510/4600/4610/4700/4710	Pin-on	X	X	X		Green	2209621	66	2230066			111753H1	950	6,157	6
4500/4510/4600/4610/4700/4710	QA	X	X	X		Green	2209621	66		2200000	2240066	111753H1	1039	6,762	6
KIOTI®															
CK25/CK30/CK35	Pin-on		X	X		Orange	2209624	66	2230066			111781H	956	6,090	13
CK25/CK30/CK35	QA		X	X		Orange	2209624	66		2200000	2240066	111781H	1045	6,695	13
DK35 (SN 261400101 & Prior)	Pin-on	X	X	X		Orange	2209624	66	2230066			111767D1	1112	7,392	
DK35 (SN 261400101 & Prior)	QA	X	X	X		Orange	2209624	66		2200000	2240066	111767D1	1201	7,997	
DK35 (SN 261400102 & Later)	Pin-on		X	X		Orange	2209624	66	2230066			111783D1	1132	7,249	
DK35 (SN 261400102 & Later)	QA		X	X		Orange	2209624	66		2200000	2240066	111783D1	1221	7,854	
DK35SE	Pin-on		X	X		Orange	2209624	66	2230066			2200009H	1023	6,956	17
DK35SE	QA		X	X		Orange	2209624	66		2200000	2240066	2200009H	1112	7,561	17
DK40 (SN 161400200 & Prior)	Pin-on	X	X	X		Orange	2209624	66	2230066			111768D1	1031	7,112	
DK40 (SN 161400200 & Prior)	QA	X	X	X		Orange	2209624	66		2200000	2240066	111768D1	1120	7,717	
DK40 (SN 161400201 & Later)	Pin-on	X	X	X		Orange	2209624	66	2230066			111775D1	992	6,970	
DK40 (SN 161400201 & Later)	QA	X	X	X		Orange	2209624	66		2200000	2240066	111775D1	1081	7,575	
DK40SE/DK45SE/DK50SE	Pin-on		X	X	X	Orange	2209624	66	2230066			2200037H	TBD	6,236	22
DK40SE/DK45SE/DK50SE	QA		X	X	X	Orange	2209624	66		2200000	2240066	2200037H	TBD	6,841	22
DK45/DK50 (SN 256700000 & Prior)	Pin-on	X	X	X		Orange	2209624	66	2230066			111765D1	1080	7,251	
DK45/DK50 (SN 256700000 & Prior)	QA	X	X	X		Orange	2209624	66		2200000	2240066	111765D1	1169	7,856	
DK45/DK50 (SN 256700001 & Later)	Pin-on	X	X	X		Orange	2209624	66	2230066			111774D1	1069	7,038	
DK45/DK50 (SN 256700001 & Later)	QA	X	X	X		Orange	2209624	66		2200000	2240066	111774D1	1158	7,643	
DK45/DK50 (SN 256700000 & Prior)	Pin-on	X	X		X	Orange	2209624	66	2230066			111765C1	1075	7,600	
DK45/DK50 (SN 256700000 & Prior)	QA	X	X		X	Orange	2209624	66		2200000	2240066	111765C1	1164	8,205	
DK45/DK50 (SN 256700001 & Later)	Pin-on	X	X		X	Orange	2209624	66	2230066			111774C1	1068	7,353	
DK45/DK50 (SN 256700001 & Later)	QA	X	X		X	Orange	2209624	66		2200000	2240066	111774C1	1157	7,958	
DK45S	Pin-on		X	X		Orange	2209624	66	2230066			211717H1	999	6,228	14
DK45S	QA		X	X		Orange	2209624	66		2200000	2240066	211717H1	1088	6,833	14
LK2554/LK3054	Pin-on		X	X		Orange	2209624	66	2230066			111740D	999	7,110	
LK2554/LK3054	QA		X	X		Orange	2209624	66		2200000	2240066	111740D	1088	7,715	

* Completing Kits that end in D, D1, D2 or D3 contain mounting kit, Woods Hydraulic Package (2-spool direct control valve and hose kit) and grill guard, if available. Completing Kits that end in C1 contain mounting kit, Woods Hydraulic Package (2-spool cable control valve and hose kit) and grill guard, if available. Completing Kits that end in H, H1 or H2 contain mounting kit, 4-hose kit (to connect loader to OEM remote valve) and grill guard, if available.

Unless noted, each "Loader Complete" STANDARD configuration includes loader, bucket, and completing kit (mount, hydraulics and grill guard, if grill guard is available). Any deviation from standard configuration will require ordering components individually.

Quick Order Section – Loader Model LC96 (Continued)

Tractor Brand / Model	Loader Pkg. Type	Fits Tractor Type				Loader Frame Color	Quick Order Part Numbers					Ship Wt. (lbs.)	Suggested List Price	Tractor Notes	
		2WD	4WD	ROPS	CAB		LC96 Loader Frame	Bucket Width (in.)	Pin-On Bucket	Quick Attach. Coupler	QA Bucket				Completing Kit *
KUBOTA®															
L245/L295	Pin-on	X	X	X		Orange	2209624	66	2230066			111749D	1074	\$ 7,255	
L245/L295	QA	X	X	X		Orange	2209624	66		2200000	2240066	111749D	1163	7,860	
L2050/L2350	Pin-on	X	X	X		Orange	2209624	66	2230066			111762D	1105	7,357	5
L2050/L2350	QA	X	X	X		Orange	2209624	66		2200000	2240066	111762D	1194	7,962	5
L2250/L2550/L2850/L3250	Pin-on	X	X	X		Orange	2209624	66	2230066			111739D1	1098	7,249	
L2250/L2550/L2850/L3250	QA	X	X	X		Orange	2209624	66		2200000	2240066	111739D1	1187	7,854	
L2500/L2600	Pin-on	X	X	X		Orange	2209624	66	2230066			111762D	1105	7,357	
L2500/L2600	QA	X	X	X		Orange	2209624	66		2200000	2240066	111762D	1194	7,962	
L2650/L2950/L3450/L3650	Pin-on	X	X	X		Orange	2209624	66	2230066			111739D1	1098	7,249	
L2650/L2950/L3450/L3650	QA	X	X	X		Orange	2209624	66		2200000	2240066	111739D1	1187	7,854	
L2800/L3400/L2800 HST/L3400 HST	Pin-on	X	X	X		Orange	2209624	66	2230066			111780D	1036	6,606	11
L2800/L3400/L2800 HST/L3400 HST	QA	X	X	X		Orange	2209624	66		2200000	2240066	111780D	1125	7,211	11
L2900/L3300/L3600/L4200	Pin-on	X	X	X		Orange	2209624	66	2230066			111761D1	1120	7,603	8
L2900/L3300/L3600/L4200	QA	X	X	X		Orange	2209624	66		2200000	2240066	111761D1	1209	8,208	8
L2900/L3300/L3600/L4200	Pin-on	X	X		X	Orange	2209624	66	2230066			111761C1	1113	7,883	8
L2900/L3300/L3600/L4200	QA	X	X		X	Orange	2209624	66		2200000	2240066	111761C1	1202	8,488	8
L3000	Pin-on	X	X	X		Orange	2209624	66	2230066			111763D	1098	7,357	
L3000	QA	X	X	X		Orange	2209624	66		2200000	2240066	111763D	1187	7,962	
L3010/L3410/L3710/L4310	Pin-on	X	X	X		Orange	2209624	66	2230066			111761D1	1120	7,603	8, 10
L3010/L3410/L3710/L4310	QA	X	X	X		Orange	2209624	66		2200000	2240066	111761D1	1209	8,208	8, 10
L3010/L3410/L3710/L4310	Pin-on	X	X		X	Orange	2209624	66	2230066			111761C1	1113	7,883	8, 10
L3010/L3410/L3710/L4310	QA	X	X		X	Orange	2209624	66		2200000	2240066	111761C1	1202	8,488	8, 10
L3130/L3430/L3830	Pin-on	X	X	X		Orange	2209624	66	2230066			111771D1	1050	6,788	11
L3130/L3430/L3830	QA	X	X	X		Orange	2209624	66		2200000	2240066	111771D1	1139	7,393	11
L3200/L3800	Pin-on	X	X	X		Orange	2209624	66	2230066			111780D1	946	6,621	
L3200/L3800	QA	X	X	X		Orange	2209624	66		2200000	2240066	111780D1	1036	7,226	
L3240/L3540	Pin-on	X	X	X	X	Orange	2209624	66	2230066			2200004H	1030	5,684	
L3240/L3540	QA	X	X	X	X	Orange	2209624	66		2200000	2240066	2200004H	1119	6,289	
L3430	Pin-on	X	X		X	Orange	2209624	66	2230066			111771C1	1055	7,422	
L3430	QA	X	X		X	Orange	2209624	66		2200000	2240066	111771C1	1144	8,027	
L3700SU	Pin-on	X	X	X		Orange	2209624	66	2230066			111780D1	946	6,621	
L3700SU	QA	X	X	X		Orange	2209624	66		2200000	2240066	111780D1	1036	7,226	
L3940	Pin-on	X	X	X	X	Orange	2209624	66	2230066			2200004H2	937	5,889	
L3940	QA	X	X	X	X	Orange	2209624	66		2200000	2240066	2200004H2	1027	6,494	
L4240/L4740	Pin-on	X	X	X	X	Orange	2209624	66	2230066			2200003H2	1061	6,085	
L4240/L4740	QA	X	X	X	X	Orange	2209624	66		2200000	2240066	2200003H2	1151	6,690	

* Completing Kits that end in D, D1, D2 or D3 contain mounting kit, Woods Hydraulic Package (2-spool direct control valve and hose kit) and grill guard, if available.
 Completing Kits that end in C1 contain mounting kit, Woods Hydraulic Package (2-spool cable control valve and hose kit) and grill guard, if available.
 Completing Kits that end in H, H1 or H2 contain mounting kit, 4-hose kit (to connect loader to OEM remote valve) and grill guard, if available.

Unless noted, each "Loader Complete" STANDARD configuration includes loader, bucket, and completing kit (mount, hydraulics and grill guard, if grill guard is available). Any deviation from standard configuration will require ordering components individually.

Quick Order Section – Loader Model LC96 (Continued)

Tractor Brand / Model	Loader Pkg. Type	Fits Tractor Type				Loader Frame Color	Quick Order Part Numbers						Ship Wt. (lbs.)	Suggested List Price	Tractor Notes	
		2WD	4WD	ROPS	CAB		LC96 Loader Frame	Bucket Width (in.)	Pin-On Bucket	Quick Attach. Coupler	QA Bucket	Completing Kit *				
KUBOTA® (Continued)																
L4300	Pin-on	X	X	X		Orange	2209624	66	2230066			111766D1	1089	\$ 7,320		
L4300	QA	X	X	X		Orange	2209624	66		2200000	2240066	111766D1	1178	7,925		
L4330/L4630/L5030	Pin-on	X	X	X		Orange	2209624	66	2230066			111772D1	1040	6,788	11	
L4330/L4630/L5030	QA	X	X	X		Orange	2209624	66		2200000	2240066	111772D1	1129	7,393	11	
L4330/L4630/L5030	Pin-on	X	X		X	Orange	2209624	66	2230066			111772C1	1045	7,422		
L4330/L4630/L5030	QA	X	X		X	Orange	2209624	66		2200000	2240066	111772C1	1134	8,027		
L4400	Pin-on	X	X	X		Orange	2209624	66	2230066			211711D1	1025	6,788	11	
L4400	QA	X	X	X		Orange	2209624	66		2200000	2240066	211711D1	1114	7,393	11	
L4600	Pin-on	X	X	X		Orange	2209624	66	2230066			211711D2	1013	6,803	11	
L4600	QA	X	X	X		Orange	2209624	66		2200000	2240066	211711D2	1103	7,408	11	
L4610	Pin-on	X	X	X		Orange	2209624	66	2230066			111769D1	1100	7,249		
L4610	QA	X	X	X		Orange	2209624	66		2200000	2240066	111769D1	1189	7,854		
L4610	Pin-on	X	X		X	Orange	2209624	66	2230066			111769C1	1093	7,529		
L4610	QA	X	X		X	Orange	2209624	66		2200000	2240066	111769C1	1182	8,134		
MX5000	Pin-on	X	X	X		Orange	2209624	66	2230066			111769D1	1100	7,249		
MX5000	QA	X	X	X		Orange	2209624	66		2200000	2240066	111769D1	1189	7,854		
LANDINI®																
1-40/1-50	Pin-on		X	X	X	Black	2209620	66	2230066			2200037H	TBD	6,236	22	
1-40/1-50	QA		X	X	X	Black	2209620	66		2200000	2240066	2200037H	TBD	6,841	22	
LONG®																
280DTC/360DTC	Pin-on	X	X	X		Black	2209620	66	2230066			111757D1	1118	7,462		
280DTC/360DTC	QA	X	X	X		Black	2209620	66		2200000	2240066	111757D1	1207	8,067		
MAHINDRA®																
2615/3015	Pin-on	X	X	X		Red	2209630	66	2230066			111730D	1091	6,981		
2615/3015	QA	X	X	X		Red	2209630	66		2200000	2240066	111730D	1180	7,586		
2810 HST/3510 HST	Pin-on		X	X		Red	2209630	66	2230066			111788D	1088	7,051		
2810 HST/3510 HST	QA		X	X		Red	2209630	66		2200000	2240066	111788D	1177	7,656		
2815/3215	Pin-on		X	X		Red	2209630	66	2230066			211718D	978	7,134		
2815/3215	QA		X	X		Red	2209630	66		2200000	2240066	211718D	1067	7,739		
3510	Pin-on		X	X		Red	2209630	66	2230066			211715D1	1053	7,577		
3510	QA		X	X		Red	2209630	66		2200000	2240066	211715D1	1142	8,182		
3525	Pin-on	X		X		Red	2209630	66	2230066			111779D1	995	7,251		
3525	QA	X		X		Red	2209630	66		2200000	2240066	111779D1	1084	7,856		
4110	Pin-on		X	X		Red	2209630	66	2230066			111784D1	1053	7,012		
4110	QA		X	X		Red	2209630	66		2200000	2240066	111784D1	1142	7,617		
MASSEY FERGUSON®																
1125/1140/1145	Pin-on	X	X	X		Red	2209626	66	2230066			111741D	1053	7,253		
1125/1140/1145	QA	X	X	X		Red	2209626	66		2200000	2240066	111741D	1142	7,858		
1240	Pin-on	X	X	X		Red	2209626	66	2230066			111741D	1053	7,253		
1240	QA	X	X	X		Red	2209626	66		2200000	2240066	111741D	1142	7,858		

* Completing Kits that end in D, D1, D2 or D3 contain mounting kit, Woods Hydraulic Package (2-spool direct control valve and hose kit) and grill guard, if available.
 Completing Kits that end in C1 contain mounting kit, Woods Hydraulic Package (2-spool cable control valve and hose kit) and grill guard, if available.
 Completing Kits that end in H, H1 or H2 contain mounting kit, 4-hose kit (to connect loader to OEM remote valve) and grill guard, if available.

Unless noted, each “Loader Complete” STANDARD configuration includes loader, bucket, and completing kit (mount, hydraulics and grill guard, if grill guard is available). Any deviation from standard configuration will require ordering components individually.

Quick Order Section – Loader Model LC96 (Continued)

Tractor Brand / Model	Loader Pkg. Type	Fits Tractor Type				Loader Frame Color	Quick Order Part Numbers						Ship Wt. (lbs.)	Suggested List Price	Tractor Notes	
		2WD	4WD	ROPS	CAB		LC96 Loader Frame	Bucket Width (in.)	Pin-On Bucket	Quick Attach. Coupler	QA Bucket	Completing Kit *				
MASSEY FERGUSON® (Continued)																
1250/1260 (Prior To SN “G”)	Pin-on	X	X	X		Red	2209626	66	2230066			111741D	1053	\$ 7,253		
1250/1260 (Prior To SN “G”)	QA	X	X	X		Red	2209626	66		2200000	2240066	111741D	1142	7,858		
1250/1260 (SN “G” & Later)	Pin-on	X	X	X		Red	2209626	66	2230066			111741D1	1057	7,132		
1250/1260 (SN “G” & Later)	QA	X	X	X		Red	2209626	66		2200000	2240066	111741D1	1146	7,737		
1429/1433/1433V/1440/1440V (Non-Hydrostat versions)	Pin-on	X	X	X		Red	2209626	66	2230066			111770D	1073	7,285		
1429/1433/1433V/1440/1440V (Non-Hydrostat versions)	QA	X	X	X		Red	2209626	66		2200000	2240066	111770D	1162	7,890		
1529/1532	Pin-on		X	X		Red	2209626	66	2230066			2200019D	1058	7,369		
1529/1532	QA		X	X		Red	2209626	66		2200000	2240066	2200019D	1148	7,974		
1533/1540	Pin-on		X	X		Red	2209626	66	2230066			111787D	1047	7,271		
1533/1540	QA		X	X		Red	2209626	66		2200000	2240066	111787D	1136	7,876		
1547/1552	Pin-on		X	X	X	Red	2209626	66	2230066			211714H1	1034	6,136	15	
1547/1552	QA		X	X	X	Red	2209626	66		2200000	2240066	211714H1	1123	6,741	15	
1635	Pin-on		X	X		Red	2209626	66	2230066			111787D	1033	7,271		
1635	QA		X	X		Red	2209626	66		2200000	2240066	111787D	1123	7,876		
McCORMICK®																
X10.40/X10.50	Pin-on		X	X	X	Red	2209631	66	2230066			2200037H	TBD	6,236	22	
X10.40/X10.50	QA		X	X	X	Red	2209631	66		2200000	2240066	2200037H	TBD	6,841	22	
MONTANA®																
2740/3240	Pin-on		X	X		Green	2209620	66	2230066			211720D	971	7,345		
2740/3240	QA		X	X		Green	2209620	66		2200000	2240066	211720D	1060	7,950		
TYM®																
T330 HST	Pin-on		X	X		Black	2209620	66	2230066			111788D	1088	7,051		
T330 HST	QA		X	X		Black	2209620	66		2200000	2240066	111788D	1177	7,656		

* Completing Kits that end in D, D1, D2 or D3 contain mounting kit, Woods Hydraulic Package (2-spool direct control valve and hose kit) and grill guard, if available.
 Completing Kits that end in C1 contain mounting kit, Woods Hydraulic Package (2-spool cable control valve and hose kit) and grill guard, if available.
 Completing Kits that end in H, H1 or H2 contain mounting kit, 4-hose kit (to connect loader to OEM remote valve) and grill guard, if available.

Unless noted, Completing Kits include Mount Kit, Woods® Hydraulic Package (or 4-Hose Kit for tractor remotes) and Grill Guard.

Completing Kits – Loader Model LC96

Tractor Brand / Model	Fits Tractor Type				Completing Kit Part No. **	Mount Kit	Woods® Hydraulic Package		OR	4-Hose Kit	Grill Guard	Ship Wt. (lbs.)	Suggested List Price	Notes
	2WD	4WD	ROPS	CAB			2-Spool Valve Kit	Hoses for Loader Valve		Connects to OEM Valve or Remotes				
AGCO®														
ST34A/ST41A		X	X		111787D	111787	1023509	1023604		N/A	1013288	409	\$ 2,944	
ST35 Hydro/ST40 Hydro	X	X	X		111777D	111777	1023509	1023605		N/A	58310	421	2,958	
ST35/ST35X/ST40/ST40X (All Non-Hydro Models)	X	X	X		111770D	111770	1023509	1023605		N/A	1006322	426	2,958	
ST47A/ST52A		X	X		211714H1	211714	N/A	N/A		1023606	1013288	388	1,809	15
BOBCAT®														
CT440/CT445/CT450		X	X	X	2200037H	2200037	N/A	N/A		1025739	1025236	TBD	1,909	22
BRANSON®														
2910/3510/3820/4220/4720		X	X		111789D1	111789	1023800	1023528		N/A	1013487	428	2,583	
2910i/3110i/3510i		X	X		2200017D	2200017	1023512	1030159		N/A	1013487	548	2,584	20
3510h/4720h		X	X		2200017D1	2200017	1023512	1029474		N/A	1013487	544	2,584	20
CASE IH®														
244/245/254/255	X	X	X		111750D	111750	1023509	1023607		N/A	N/A	316	2,678	
D25/DX25/D29/DX29/DX31/D33/ DX33/DX34	X	X	X		2200014D	2200014	1023509	1023531		A	1022113	396	2,909	12
D25/DX25/D29/DX29/DX31/D33/ DX33/DX34	X	X	X		2200014H	2200014	A	A		1023613	1022113	357	1,903	1, 12
D35/DX35/D40/DX40/D45/DX45	X	X	X		2200015D	2200015	1023509	1023529		A	1001044	402	2,929	
D35/DX35/D40/DX40/D45/DX45	X	X	X	X	2200015H	2200015	A	A		1023613	1001044	366	1,837	16
Farmall® 30B/35B	X	X	X		2200033H	2200033	N/A	N/A		1033412	1033415	395	1,681	21
Farmall 31/35	X	X	X		2200014D	2200014	1023509	1023531		A	1022113	396	2,909	12
Farmall 31/35	X	X	X		2200014H	2200014	A	A		1023613	1022113	357	1,903	1, 12
Farmall 40/45/50	X	X	X		2200015D	2200015	1023509	1023529		A	1001044	402	2,929	
Farmall 40/45/50	X	X	X	X	2200015H	2200015	A	A		1023613	1001044	366	1,837	16
Farmall 40B/50B	X	X	X		2200034H	2200034	N/A	N/A		1033412	1033425	TBD	1,681	21
CHALLENGER®														
MT265B/MT275B		X	X		111787D	111787	1023509	1023604		N/A	1013288	409	2,944	
MT285B/MT295B		X	X	X	211714H1	211714	N/A	N/A		1023606	1013288	388	1,809	15
CUB CADET®														
7260/7265/7300/7305	X	X	X		111730D	111730	1023509	1023610		N/A	w/mount	453	2,654	7, 9
7360	X	X	X		111732D	111732	1023509	1023609		N/A	52322	431	2,522	
7530/7532		X	X		211712D	211712	1023509	1023611		N/A	w/mount	350	2,667	7
8354		X	X		111783D1	111783	1023509	1023530		N/A	1003186	496	2,922	
8404		X	X		111775D1	111775	1023509	1023532		N/A	1002626	354	2,643	
8454		X	X		111774D1	111774	1023509	1023532		N/A	1002626	431	2,711	
EX2900/EX3200		X	X		2200016H	2200016	N/A	N/A		1028252	1026400	297	1,760	19
FORD® & NEW HOLLAND®														
1310/1510	X	X	X		111745D	111745	1023509	1023534		N/A	N/A	403	2,709	
1320/1520/1620/1715	X	X	X		111755D1	111755	1023509	1023535		N/A	1001550	408	2,818	12
1530/1630	X	X	X		111755D1	111755	1023509	1023535		A	1001550	408	2,818	1, 2, 12
1530/1630	X	X	X		111755H	111755	A	A		1023613	1001550	365	1,657	1, 2, 12

** Completing Kits that end in D, D1, D2 or D3 contain mounting kit, Woods Hydraulic Package (2-spool direct control valve and hose kit) and grill guard, if available.
 Completing Kits that end in C1 contain mounting kit, Woods Hydraulic Package (2-spool cable control valve and hose kit) and grill guard, if available.
 Completing Kits that end in H, H1 or H2 contain mounting kit, 4-hose kit (to connect loader to OEM remote valve) and grill guard, if available.

A = Available
 N/A = Not Available

Unless noted, Completing Kits include Mount Kit, Woods® Hydraulic Package (or 4-Hose Kit for tractor remotes) and Grill Guard.

Completing Kits – Loader Model LC96 (Continued)

Tractor Brand / Model	Fits Tractor Type				Completing Kit Part No. **	Mount Kit	Woods® Hydraulic Package		OR	4-Hose Kit	Grill Guard	Ship Wt. (lbs.)	Suggested List Price	Notes
	2WD	4WD	ROPS	CAB			2-Spool Valve Kit	Hoses for Loader Valve		Connects to OEM Valve or Remotes				
FORD® & NEW HOLLAND® (Continued)														
1700/1900/1900 TURF	X	X	X		111744D	111744	1023509	1023533		N/A	N/A	391	\$ 2,922	3
1710	X	X	X		111745D	111745	1023509	1023534		N/A	N/A	403	2,709	
1720	X	X	X		111755D1	111755	1023509	1023535		N/A	1001550	408	2,818	
1725/1925	X	X	X		111755D1	111755	1023509	1023535		A	1001550	408	2,818	1, 12
1725/1925	X	X	X		111755H	111755	A	A		1023613	1001550	365	1,657	1, 12
1910/2110	X	X	X		111746D1	111746	1023509	1023534		N/A	N/A	301	2,641	
1920	X	X	X		111758D1	111758	1023509	1023529		N/A	46995	424	2,820	
2120	X	X	X		111735D1	111735	1023509	1023535		N/A	46775	398	2,992	
3415	X		X		111735D1	111735	1023509	1023535		N/A	46775	398	2,992	
Boomer 30/35	X	X	X		2200033H	2200033	N/A	N/A		1033412	1033415	395	1,681	21
Boomer 40/50	X	X	X		2200034H	2200034	N/A	N/A		1033412	1033425	TBD	1,681	21
Boomer 3040/3045/3050, 8N	X	X	X	X	2200015D	2200015	1023509	1023529		A	1001044	402	2,929	16
T1530	X	X	X		2200015D	2200015	1023509	1023529		A	1001044	402	2,929	
T2210/T2220 with or w/out Super Steer	X	X	X		2200014D	2200014	1023509	1023531		A	1022113	396	2,909	12
T2210/T2220 with or w/out Super Steer	X	X	X		2200014H	2200014	A	A		1023613	1022113	357	1,903	1, 12
T2310/T2320/T2330 with or without Super Steer	X	X	X		2200015D	2200015	1023509	1023529		A	1001044	402	2,929	
T2310/T2320/T2330 with or without Super Steer	X	X	X	X	2200015H	2200015	A	A		1023613	1001044	366	1,837	16
TC25/TC25D/TC29/TC29D/TC29DA/TC31DA/TC33/TC33D/TC33DA/TC34DA with or without Super Steer	X	X	X		2200014D	2200014	1023509	1023531		A	1022113	396	2,909	12
TC25/TC25D/TC29/TC29D/TC29DA/TC31DA/TC33/TC33D/TC33DA/TC34DA with or without Super Steer	X	X	X		2200014H	2200014	A	A		1023613	1022113	357	1,903	1, 12
TC30/T1510/T1520	X	X	X		2200013D	2200013	1023509	1022118		N/A	1022113	393	2,777	18
TC35/TC35A/TC35D/TC40/TC40A/TC40D/TC40DA/TC45/TC45A/TC45D/TC45DA with or without Super Steer	X	X	X		2200015D	2200015	1023509	1023529		A	1001044	402	2,929	
TC35/TC35A/TC35D/TC40/TC40A/TC40D/TC40DA/TC45/TC45A/TC45D/TC45DA with or without Super Steer	X	X	X	X	2200015H	2200015	A	A		1023613	1001044	366	1,837	16
JOHN DEERE®														
750	X	X	X		111752D	111752	1023509	1023614		N/A	N/A	373	2,780	
850 (SN 8999 & Prior)	X		X		111743D3	111743	1023509	1023540		N/A	N/A	378	2,850	
850 (SN 9000 & Later)	X		X		111743D2	111743	1023509	1023541		N/A	N/A	379	2,850	
870/970/1070 (Power Steering only)	X	X	X		111742D1	111742	1023509	1023542		A	40988	362	2,748	4
870/970/1070 (Power Steering only)	X	X	X		111742H1	111742	A	A		1023616	40988	317	1,656	4
950 (SN 11999 & Prior)	X	X	X		111743D3	111743	1023509	1023540		N/A	N/A	378	2,850	
950 (SN 12000 & Later)	X	X	X		111743D2	111743	1023509	1023541		N/A	N/A	379	2,850	
990	X	X	X		111742D1	111742	1023509	1023542		A	40988	362	2,748	4
990	X	X	X		111742H1	111742	A	A		1023616	40988	317	1,656	4
1050	X	X	X		111743D2	111743	1023509	1023541		N/A	N/A	379	2,850	
3120/3320/3520/3720		X	X		211716H	211716	N/A	N/A		1023628	1019012	305	1,830	6
3203		X	X		211716H	211716	N/A	N/A		1023628	1019012	305	1,830	6

** Completing Kits that end in D, D1, D2 or D3 contain mounting kit, Woods Hydraulic Package (2-spool direct control valve and hose kit) and grill guard, if available. Completing Kits that end in C1 contain mounting kit, Woods Hydraulic Package (2-spool cable control valve and hose kit) and grill guard, if available. Completing Kits that end in H, H1 or H2 contain mounting kit, 4-hose kit (to connect loader to OEM remote valve) and grill guard, if available.
 A = Available
 N/A = Not Available

Unless noted, Completing Kits include Mount Kit, Woods® Hydraulic Package (or 4-Hose Kit for tractor remotes) and Grill Guard.

Completing Kits – Loader Model LC96 (Continued)

Tractor Brand / Model	Fits Tractor Type				Completing Kit Part No. **	Mount Kit	Woods® Hydraulic Package		OR	4-Hose Kit Connects to OEM Valve or Remotes	Grill Guard	Ship Wt. (lbs.)	Suggested List Price	Notes
	2WD	4WD	ROPS	CAB			2-Spool Valve Kit	Hoses for Loader Valve						
JOHN DEERE® (Continued)														
4120/4320/4520/4720	X	X	X		211713H1	211713	N/A	N/A		1023615	1014864	318	\$ 1,409	6
4200/4300/4400	X	X	X		111754H	111754	N/A	N/A		1023615	59738	296	1,762	6
4210/4310/4410	X	X	X		111776H	111776	N/A	N/A		1023615	59738	314	1,619	6
4500/4510/4600/4610/4700/4710	X	X	X		111753H1	111753	N/A	N/A		1023615	59738	312	1,830	6
KIOTI®														
CK25/CK30/CK35		X	X		111781H	111781	N/A	N/A		1023617	1011419	318	1,763	13
DK35 (SN 261400101 & Prior)	X	X	X		111767D1	111767	1023509	1023544		N/A	1003186	474	3,065	
DK35 (SN 261400102 & Later)		X	X		111783D1	111783	1023509	1023530		N/A	1003186	496	2,922	
DK35SE		X	X		2200009H	2200009	N/A	N/A		1025739	1025236	385	2,629	17
DK40 (SN 161400200 & Prior)	X	X	X		111768D1	111768	1023509	1023544		N/A	1002626	393	2,785	
DK40 (SN 161400201 & Later)	X	X	X		111775D1	111775	1023509	1023532		N/A	1002626	354	2,643	
DK40SE/DK45SE/DK50SE		X	X	X	2200037H	2200037	N/A	N/A		1025739	1025236	TBD	1,909	22
DK45/DK50 (SN 256700000 & Prior)	X	X	X		111765D1	111765	1023509	1023544		N/A	1002626	442	2,924	
DK45/DK50 (SN 256700001 & Later)	X	X	X		111774D1	111774	1023509	1023532		N/A	1002626	431	2,711	
DK45/DK50 (SN 256700000 & Prior)	X	X		X	111765C1	111765	1023510	1023545		N/A	1002626	437	3,273	
DK45/DK50 (SN 256700001 & Later)	X	X		X	111774C1	111774	1023510	1023546		N/A	1002626	430	3,026	
DK45S		X	X		211717H1	211717	N/A	N/A		1023618	1016376	361	1,901	14
LK2554/LK3054		X	X		111740D	111740	1023509	1023619		N/A	58608	417	2,783	
KUBOTA®														
L245/L295	X	X	X		111749D	111749	1023509	1023548		N/A	N/A	436	2,928	
L2050/L2350	X	X	X		111762D	111762	1023509	1023620		N/A	1002615	467	3,030	5
L2250/L2550/L2850/L3250	X	X	X		111739D1	111739	1023509	1023549		N/A	1002615	457	2,922	
L2500/L2600	X	X	X		111762D	111762	1023509	1023620		N/A	1002615	467	3,030	
L2650/L2950/L3450/L3650	X	X	X		111739D1	111739	1023509	1023549		N/A	1002615	457	2,922	
L2800/L3400/L2800 HST/L3400 HST	X	X	X		111780D	111780	1023511	included w/valve		N/A	1006492	398	2,279	11
L2900/L3300/L3600/L4200	X	X	X		111761D1	111761	1023509	1023535		N/A	1002615	477	3,276	8
L2900/L3300/L3600/L4200	X	X		X	111761C1	111761	1023510	1023545		N/A	1002615	475	3,556	8
L3000	X	X	X		111763D	111763	1023509	1023620		N/A	1002615	460	3,030	
L3010/L3410/L3710/L4310	X	X	X		111761D1	111761	1023509	1023535		N/A	1002615	477	3,276	8, 10
L3010/L3410/L3710/L4310	X	X		X	111761C1	111761	1023510	1023545		N/A	1002615	475	3,556	8, 10
L3130/L3430/L3830	X	X	X		111771D1	111771	1023511	included w/valve		N/A	1006492	412	2,461	11
L3200/L3800	X	X	X		111780D1	111780	1023511	included w/valve		N/A	1033670	318	2,294	
L3240/L3540	X	X	X	X	2200004H	2200004	N/A	N/A		1023627	1006492	392	1,357	
L3430	X	X		X	111771C1	111771	1023510	1023550		N/A	1006492	417	3,095	
L3700SU	X	X	X		111780D1	111780	1023511	included w/valve		N/A	1033670	318	2,294	
L3940	X	X	X	X	2200004H2	2200004	N/A	N/A		1023996	1029450	309	1,562	
L4240/L4740		X	X	X	2200003H2	2200003	N/A	N/A		1023627	1029450	433	1,758	
L4300	X	X	X		111766D1	111766	1023509	1023535		N/A	1000754	451	2,993	

** Completing Kits that end in D, D1, D2 or D3 contain mounting kit, Woods Hydraulic Package (2-spool direct control valve and hose kit) and grill guard, if available.
 Completing Kits that end in C1 contain mounting kit, Woods Hydraulic Package (2-spool cable control valve and hose kit) and grill guard, if available.
 Completing Kits that end in H, H1 or H2 contain mounting kit, 4-hose kit (to connect loader to OEM remote valve) and grill guard, if available.

A = Available
 N/A = Not Available

Unless noted, Completing Kits include Mount Kit, Woods® Hydraulic Package (or 4-Hose Kit for tractor remotes) and Grill Guard.

Completing Kits – Loader Model LC96 (Continued)

Tractor Brand / Model	Fits Tractor Type				Completing Kit Part No. **	Mount Kit	Woods® Hydraulic Package		OR	4-Hose Kit	Grill Guard	Ship Wt. (lbs.)	Suggested List Price	Notes
	2WD	4WD	ROPS	CAB			2-Spool Valve Kit	Hoses for Loader Valve		Connects to OEM Valve or Remotes				
KUBOTA® (Continued)														
L4330/L4630/L5030	X	X	X		111772D1	111772	1023511	included w/valve		N/A	1006492	402	\$ 2,461	11
L4330/L4630/L5030	X	X		X	111772C1	111772	1023510	1023550		N/A	1006492	407	3,095	
L4400	X	X	X		211711D1	211711	1023511	included w/valve		N/A	1006492	387	2,461	11
L4600	X	X	X		211711D2	211711	1023511	included w/valve		N/A	1033670	385	2,476	11
L4610	X	X	X		111769D1	111769	1023509	1023535		N/A	1004610	457	2,922	
L4610	X	X		X	111769C1	111769	1023510	1023545		N/A	1004610	455	3,202	
MX5000	X	X	X		111769D1	111769	1023509	1023535		N/A	1004610	457	2,922	
LANDINI®														
1-40/1-50		X	X	X	2200037H	2200037	N/A	N/A		1025739	1025236	TBD	1,909	22
LONG®														
280DTC/360DTC	X	X	X		111757D1	111757	1023509	1023552		N/A	w/mount	480	3,135	
MAHINDRA®														
2615/3015	X	X	X		111730D	111730	1023509	1023610		N/A	w/mount	453	2,654	
2810 HST/3510 HST		X	X		111788D	111788	1023509	1023553		N/A	1007640	450	2,724	
2815/3215		X	X		211718D	211718	1023509	1023611		N/A	1021860	340	2,807	
3510		X	X		211715D1	211715	1023509	1023553		N/A	1011526	415	3,250	
3525	X		X		111779D1	111779	1023509	1013322		N/A	N/A	357	2,924	
4110		X	X		111784D1	111784	1023509	1023553		N/A	1011526	415	2,685	
MASSEY FERGUSON®														
1125/1140/1145	X	X	X		111741D	111741	1023509	1023622		N/A	58310	415	2,926	
1240	X	X	X		111741D	111741	1023509	1023622		N/A	58310	415	2,926	
1250/1260 (Prior to SN "G")	X	X	X		111741D	111741	1023509	1023622		N/A	58310	415	2,926	
1250/1260 (SN "G" & Later)	X	X	X		111741D1	111741	1023509	1023623		N/A	58310	419	2,805	
1429/1433/1433V/1440/1440V (Non-Hydrostat versions)	X	X	X		111770D	111770	1023509	1023624		N/A	1006322	426	2,958	
1529/1532		X	X		2200019D	2200019	1023509	1030185		N/A	1013288	430	3,042	
1533/1540		X	X		111787D	111787	1023509	1023604		N/A	1013288	409	2,944	
1547/1552		X	X	X	211714H1	211714	N/A	N/A		1023606	1013288	388	1,809	15
1635		X	X		111787D	111787	1023509	1023604		N/A	1013288	409	2,944	
McCORMICK®														
X10.40/X10.50		X	X	X	2200037H	2200037	N/A	N/A		1025739	1025236	TBD	1,909	22
MONTANA®														
2740/3240		X	X		211720D	211720	1023800	1023802		N/A	1021952	333	3,018	
TYM®														
T330 HST		X	X		111788D	111788	1023509	1023553		N/A	1007640	450	2,724	

** Completing Kits that end in D, D1, D2 or D3 contain mounting kit, Woods Hydraulic Package (2-spool direct control valve and hose kit) and grill guard, if available. Completing Kits that end in C1 contain mounting kit, Woods Hydraulic Package (2-spool cable control valve and hose kit) and grill guard, if available. Completing Kits that end in H, H1 or H2 contain mounting kit, 4-hose kit (to connect loader to OEM remote valve) and grill guard, if available.
A = Available
N/A = Not Available

Miscellaneous – Loader Model LC96

Part No.	Description	Shipping Wt. (lbs.)	Suggested List Price
1005093	Paint – Case of 12 Spray Cans – Red to match Case IH®	13	\$ 178.00
1005094	Paint – Case of 12 Spray Cans – Yellow to match Cub Cadet®	13	178.00
1005095	Paint – Case of 12 Spray Cans – Blue to match New Holland® Vibrant Blue	13	178.00
1005096	Paint – Case of 12 Spray Cans – Blue to match New Holland Ford® Blue	13	178.00
1005097	Paint – Case of 12 Spray Cans – Orange to match Kubota®	13	178.00
1005098	Paint – Case of 12 Spray Cans – Red to match Massey Ferguson®	13	178.00

COMPACT SERIES LOADERS – TRACTOR NOTES

SECTION 4

Tractor Notes – Loader Model LC96

1. Mount fits with OEM auxiliary valve – OEM auxiliary valve required Woods® hose kit 1023613.
2. Fits with Super Steer® front axle.
3. Hose kit 1023533 fits tractors with draft control only.
4. If tractor is equipped with John Deere® BM18010 rear quick coupler kit, use Woods hose kit 1023542. If tractor is equipped with John Deere Selective Control Valve (SCV), use Woods hose kit 1023616.
5. Tractor must have power steering to use hose kit.
6. Requires John Deere Selective Control Valve (SCV) and Woods hose kit to connect to tractor mid-remote couplers.
7. Grill guard included with mounting kit.
8. Will not fit 3-cylinder tractors with 29 x 12.5 x 15 turf tires.
9. Fits with Woods mower models C360 & C372.
10. L3010 and L3410 only – fits with Kubota mid-mount mower model RC72-29A.
11. 2-function valve kit 1023511 includes all hoses and fittings to connect to tractor hydraulic system.
12. Requires reinforcement kit 1004750 to fit OEM mower model 914A. Reinforcement kit is NOT compatible with Super Steer front axle.
13. Hose kit 1023617 required to connect loader to OEM loader valve supplied with tractor.
14. Hose kit 1023618 required to connect loader to OEM loader valve supplied with tractor.
15. Tractor must be equipped with OEM loader valve and quick couplers. Order hose kit 1023606 to connect.
16. Tractors with Cab must be equipped with OEM loader valve and mid-remote quick couplers. Order hose kit 1023613 to connect.
17. Tractor must be equipped with Kioti mid-remote cable valve and couplers to use hose kit 1025236.
18. Weight box 1006124 is recommended for tractor stability.
19. Tractor must be equipped with OEM loader valve and mid-remote quick couplers.
20. Hose kit 1029474 is used on Branson® “h” (hydro) series tractors; hose kit 1030159 is used on Branson “i” (gear) series tractors.
21. Tractor must be equipped with OEM loader valve and mid-remote quick couplers. Order hose kit 1033412 to connect.
22. Hose kit connects to OEM loader valve supplied with tractor.

LC96 Features and Specifications

FEATURES:

- Curved loader boom
- Midmount loader boom attachment
- Fast D-Tach loader
- Parking stands – stored in loader boom cross tube
- Bucket rod level indicator
- Manual tube on the loader boom cross tube
- Optional Quick Attachment Coupler System
- Construction grade, heavy-duty, round back bucket
- 2-year warranty



SPECIFICATIONS:

- Fits 20 – 35 hp tractors (2WD & FWA)
- Lift height: 96 inches
- Lift cylinders: 1.77 inches; Single bucket cylinder: 2.76 inches
- Lift capacity at bucket pins: 1200 lbs.
- Lift capacity at 19.7 inches ahead of bucket pivot pins: 900 lbs.
- Breakout at bucket pins: 2150 lbs.

- Breakout at 19.7 inches ahead of bucket pivot pins: 1650 lbs.
- Maximum digging depth: 4 inches
- Dump angle: 45 degrees
- Roll back angle: 24 degrees
- Reach: 30 inches
- Pivot pins diameter: 1.00 and 1.25 inches

To Order a Complete Loader by Ordering Individual Components

- Find the tractor brand and model you are attempting to fit in the **Tractor/Loader Adaptability Chart**.
- Select the loader model you wish to price (each model belongs to a Loader Series, i.e., Compact Series).
- Go to the appropriate Loader Model **Component Order** tab.
- Find the tractor brand / model you are fitting in the **Tractor Reference** section – part numbers needed to configure a loader are listed (except loader frame and bucket).
- Order loader frame.
- Order front-end attachment(s).
- Order mounting kit.
- Order valve kit.
- Order hose kit OR 4-hose kit to connect to OEM remote valve.
- Order grill guard.

Be sure to refer to the “Notes” column; Tractor Notes are found at the end of each tabbed section in the Loader price pages.

Prices for each component are listed in the appropriate component section.

If you have any questions, please contact Woods® Dealer Services.

EXAMPLE:

When ordering a loader to fit a Kubota® tractor, model L3430 ROPS, do the following:

1. The Kubota L3430 ROPS tractor is fit by three Woods loader models: LC96, LC102 and LC108. (Reference Tractor/Loader Adaptability Chart.) We are selecting the LC96 model.
2. Flip to the LC96 **Components** tab and go to the Tractor Reference Chart for components to order to complete the LC96 Loader.
 - a. **Section 1** – Order the loader frame #2209624 (Orange to match Kubota).
 - b. **Section 2** – Order the bucket #2230066 (66” pin attachment bucket).
Note: If selecting a quick change system, order Quick Attachment Coupler System and buckets compatible with the Quick Attachment Coupler System. Other front end attachments may be ordered within this section.
 - c. **Section 3** – Order the mounting kit #111771.
 - d. **Section 4** – Order the valve kit #1023511.
 - e. **Section 5** – Order the hose kit # (included with valve) OR the 4-hose kit # (N/A).
 - f. **Section 6** – Order grill guard #1006492.

COMPACT SERIES LOADERS – MODEL LC96 TRACTOR REFERENCE CHART

Tractor Brand / Model	Fits Tractor Type				Mount Kit	Hydraulic Package		OR	4-Hose Kit	Grill Guard	OEM Mid-Mower Compat.	Tractor Notes
	2WD	4WD	ROPS	CAB		2-Spool Valve Kit	Hoses for Loader Valve		Connects to OEM Valve			
AGCO®												
ST34A/ST41A		X	X		111787	1023509	1023604		N/A	1013288	SM72A	
ST35 Hydro/ST40 Hydro	X	X	X		111777	1023509	1023605		N/A	58310	SM72A	
ST35/ST35X/ST40/ST40X (All Non-Hydro Models)	X	X	X		111770	1023509	1023605		N/A	1006322	SM72A	
ST47A/ST52A		X	X		211714	N/A	N/A		1023606	1013288		15
BOBCAT®												
CT440/CT445/CT450		X	X	X	2200037	N/A	N/A		1025739	1025236		22
BRANSON®												
2910/3510/3820/4220/4720		X	X		111789	1023800	1023528		N/A	1013487		
2910i/3110i/3510i		X	X		2200017	1023512	1030159		N/A	1013487		20
3510h/4720h		X	X		2200017	1023512	1029474		N/A	1013487		20
CASE IH®												
244/245/254/255	X	X	X		111750	1023509	1023607		N/A	N/A		
D25/DX25/D29/DX29/DX31/D33/DX33/DX34	X	X	X		2200014	1023509	1023531		1023613	1022113		1, 12
D35/DX35/D40/DX40/D45/DX45	X	X	X	X	2200015	1023509	1023529		1023613	1001044		16
Farmall® 30B/35B	X	X	X		2200033	N/A	N/A		1033412	1033415		21
Farmall 31/35	X	X	X		2200014	1023509	1023531		1023613	1022113		1, 12
Farmall 40/45/50	X	X	X	X	2200015	1023509	1023529		1023613	1001044		16
Farmall 40B/50B	X	X	X		2200034	N/A	N/A		1033412	1033425		21
CHALLENGER®												
MT265B/MT275B		X	X		111787	1023509	1023604		N/A	1013288	72"	
MT285B/MT295B		X	X	X	211714	N/A	N/A		1023606	1013288		15
CUB CADET®												
7260/7265/7300/7305	X	X	X		111730	1023509	1023610		N/A	w/mount	401/404	7, 9
7360	X	X	X		111732	1023509	1023609		N/A	52322		
7530/7532		X	X		211712	1023509	1023611		N/A	w/mount		7
8354		X	X		111783	1023509	1023530		N/A	1003186		
8404		X	X		111775	1023509	1023532		N/A	1002626		
8454		X	X		111774	1023509	1023532		N/A	1002626		
EX2900/EX3200		X	X		2200016	N/A	N/A		1028252	1026400		19
FORD® & NEW HOLLAND®												
1310/1510	X	X	X		111745	1023509	1023534		N/A	N/A		
1320/1520/1620/1715	X	X	X		111755	1023509	1023535		N/A	1001550	914A	12
1530/1630	X	X	X		111755	1023509	1023535		1023613	1001550		1, 2, 12
1700/1900/1900 TURF	X	X	X		111744	1023509	1023533		N/A	N/A		3
1710	X	X	X		111745	1023509	1023534		N/A	N/A		
1720	X	X	X		111755	1023509	1023535		N/A	1001550		
1725/1925	X	X	X		111755	1023509	1023535		1023613	1001550		1, 12
1910/2110	X	X	X		111746	1023509	1023534		N/A	N/A		
1920	X	X	X		111758	1023509	1023529		N/A	46995		
2120	X	X	X		111735	1023509	1023535		N/A	46775		
3415	X		X		111735	1023509	1023535		N/A	46775		
Boomer 30/35	X	X	X		2200033	N/A	N/A		1033412	1033415		21
Boomer 40/50	X	X	X		2200034	N/A	N/A		1033412	1033425		21
Boomer 3040/3045/3050, 8N	X	X	X	X	2200015	1023509	1023529		1023613	1001044		16
T1530	X	X	X		2200015	1023509	1023529		1023613	1001044		

Tractor Reference Chart continued on next page.

Note: If listed, 4-hose kit for use with tractor remotes may be ordered instead of Woods valve and hose kit for loader valve.

N/A = Not Available

COMPACT SERIES LOADERS – MODEL LC96 TRACTOR REFERENCE CHART (Continued)

Tractor Brand / Model	Fits Tractor Type				Mount Kit	Hydraulic Package			OR	4-Hose Kit	Grill Guard	OEM Mid-Mower Compat.	Tractor Notes
	2WD	4WD	ROPS	CAB		2-Spool Valve Kit	Hoses for Loader Valve	Connects to OEM Valve					
FORD® & NEW HOLLAND® (Continued)													
T2210/T2220 with or without Super Steer	X	X	X		2200014	1023509	1023531			1023613	1022113		1, 12
T2310/T2320/T2330 with or without Super Steer	X	X	X	X	2200015	1023509	1023529			1023613	1001044		16
TC25/TC25D/TC29/TC29D/TC29DA/TC31DA/TC33/TC33D/TC33DA/TC34DA with or without Super Steer	X	X	X		2200014	1023509	1023531			1023613	1022113		1, 12
TC30/T1510/T1520	X	X	X		2200013	1023509	1022118			N/A	1022113		18
TC35/TC35A/TC35D/TC40/TC40A/TC40D/TC40DA/TC45/TC45A/TC45D/TC45DA with or without Super Steer	X	X	X	X	2200015	1023509	1023529			1023613	1001044		16
JOHN DEERE®													
750	X	X	X		111752	1023509	1023614			N/A	N/A		
850 (SN 8999 & Prior)	X		X		111743	1023509	1023540			N/A	N/A		
850 (SN 9000 & Later)	X		X		111743	1023509	1023541			N/A	N/A		
870/970/1070 (Power Steering only)	X	X	X		111742	1023509	1023542			1023616	40988		4
950 (SN 11999 & Prior)	X	X	X		111743	1023509	1023540			N/A	N/A		
950 (SN 12000 & Later)	X	X	X		111743	1023509	1023541			N/A	N/A		
990	X	X	X		111742	1023509	1023542			1023616	40988		4
1050	X	X	X		111743	1023509	1023541			N/A	N/A		
3120/3320/3520/3720		X	X		211716	N/A	N/A			1023628	1019012		6
3203		X	X		211716	N/A	N/A			1023628	1019012		6
4120/4320/4520/4720	X	X	X		211713	N/A	N/A			1023615	1014864		6
4200/4300/4400	X	X	X		111754	N/A	N/A			1023615	59738		6
4210/4310/4410	X	X	X		111776	N/A	N/A			1023615	59738		6
4500/4510/4600/4610/4700/4710	X	X	X		111753	N/A	N/A			1023615	59738		6
KIOTI®													
CK25/CK30/CK35		X	X		111781	N/A	N/A			1023617	1011419		13
DK35 (SN 261400101 & Prior)	X	X	X		111767	1023509	1023544			N/A	1003186		
DK35 (SN 261400102 & Later)		X	X		111783	1023509	1023530			N/A	1003186		
DK35SE		X	X		2200009	N/A	N/A			1025739	1025236		17
DK40 (SN 161400200 & Prior)	X	X	X		111768	1023509	1023544			N/A	1002626		
DK40 (SN 161400201 & Later)	X	X	X		111775	1023509	1023532			N/A	1002626		
DK40SE/DK45SE/DK50SE		X	X	X	2200037	N/A	N/A			1025739	1025236		22
DK45/DK50 (SN 256700000 & Prior)	X	X	X		111765	1023509	1023544			N/A	1002626		
DK45/DK50 (SN 256700001 & Later)	X	X	X		111774	1023509	1023532			N/A	1002626		
DK45/DK50 (SN 256700000 & Prior)	X	X		X	111765	1023510	1023545			N/A	1002626		
DK45/DK50 (SN 256700001 & Later)	X	X		X	111774	1023510	1023546			N/A	1002626		
DK45S		X	X		211717	N/A	N/A			1023618	1016376		14
LK2554/LK3054		X	X		111740	1023509	1023619			N/A	58608		
KUBOTA®													
L245/L295	X	X	X		111749	1023509	1023548			N/A	N/A		
L2050/L2350	X	X	X		111762	1023509	1023620			N/A	1002615		5
L2250/L2550/L2850/L3250	X	X	X		111739	1023509	1023549			N/A	1002615		
L2500/L2600	X	X	X		111762	1023509	1023620			N/A	1002615		
L2650/L2950/L3450/L3650	X	X	X		111739	1023509	1023549			N/A	1002615		
L2800/L3400/L2800 HST/L3400 HST	X	X	X		111780	1023511	included w/valve			N/A	1006492		11
L2900/L3300/L3600/L4200	X	X	X		111761	1023509	1023535			N/A	1002615		8
L2900/L3300/L3600/L4200	X	X		X	111761	1023510	1023545			N/A	1002615		8

Tractor Reference Chart continued on next page.

Note: If listed, 4-hose kit for use with tractor remotes may be ordered instead of Woods valve and hose kit for loader valve.

N/A = Not Available

COMPACT SERIES LOADERS – MODEL LC96 TRACTOR REFERENCE CHART (Continued)

Tractor Brand / Model	Fits Tractor Type				Mount Kit	Hydraulic Package		OR	4-Hose Kit	Grill Guard	OEM Mid-Mower Compat.	Tractor Notes
	2WD	4WD	ROPS	CAB		2-Spool Valve Kit	Hoses for Loader Valve		Connects to OEM Valve			
KUBOTA® (Continued)												
L3000	X	X	X		111763	1023509	1023620		N/A	1002615		
L3010/L3410/L3710/L4310	X	X	X		111761	1023509	1023535		N/A	1002615	RC72-29A	8, 10
L3010/L3410/L3710/L4310	X	X		X	111761	1023510	1023545		N/A	1002615	RC72-29A	8, 10
L3130/L3430/L3830	X	X	X		111771	1023511	included w/valve		N/A	1006492		11
L3200/L3800	X	X	X		111780	1023511	included w/valve		N/A	1033670		
L3240/L3540	X	X	X	X	2200004	N/A	N/A		1023627	1006492	RC72-38	
L3430	X	X		X	111771	1023510	1023550		N/A	1006492		
L3700SU	X	X	X		111780	1023511	included w/valve		N/A	1033670		
L3940	X	X	X	X	2200004	N/A	N/A		1023996	1029450	RC72-38	
L4240/L4740		X	X	X	2200003	N/A	N/A		1023627	1029450		
L4300	X	X	X		111766	1023509	1023535		N/A	1000754		
L4330/L4630/L5030	X	X	X		111772	1023511	included w/valve		N/A	1006492		11
L4330/L4630/L5030	X	X		X	111772	1023510	1023550		N/A	1006492		
L4400	X	X	X		211711	1023511	included w/valve		N/A	1006492		11
L4600	X	X	X		211711	1023511	included w/valve		N/A	1033670		11
L4610	X	X	X		111769	1023509	1023535		N/A	1004610		
L4610	X	X		X	111769	1023510	1023545		N/A	1004610		
MX5000	X	X	X		111769	1023509	1023535		N/A	1004610		
LANDINI®												
1-40/1-50		X	X	X	2200037	N/A	N/A		1025739	1025236		22
LONG®												
280DTC/360DTC	X	X	X		111757	1023509	1023552		N/A	w/mount		
MAHINDRA®												
2615/3015	X	X	X		111730	1023509	1023610		N/A	w/mount		
2810 HST/3510 HST		X	X		111788	1023509	1023553		N/A	1007640	MM2872	
2815/3215		X	X		211718	1023509	1023611		N/A	1021860	WMM1572	
3510		X	X		211715	1023509	1023553		N/A	1011526		
3525	X		X		111779	1023509	1013322		N/A	N/A		
4110		X	X		111784	1023509	1023553		N/A	1011526		
MASSEY FERGUSON®												
1125/1140/1145	X	X	X		111741	1023509	1023622		N/A	58310		
1240	X	X	X		111741	1023509	1023622		N/A	58310		
1250/1260 (Prior TO SN "G")	X	X	X		111741	1023509	1023622		N/A	58310		
1250/1260 (SN "G" & Later)	X	X	X		111741	1023509	1023623		N/A	58310		
1429/1433/1433V/1440/1440V (Non-Hydrostat versions)	X	X	X		111770	1023509	1023624		N/A	1006322		
1529/1532		X	X		2200019	1023509	1030185		N/A	1013288		
1533/1540		X	X		111787	1023509	1023604		N/A	1013288		
1547/1552		X	X	X	211714	N/A	N/A		1023606	1013288		15
1635		X	X		111787	1023509	1023604		N/A	1013288		
McCORMICK®												
X10.40/X10.50		X	X	X	2200037	N/A	N/A		1025739	1025236		22
MONTANA®												
2740/3240		X	X		211720	1023800	1023802		N/A	1021952		
TYM®												
T330 HST		X	X		111788	1023509	1023553		N/A	1007640		

Note: If listed, 4-hose kit for use with tractor remotes may be ordered instead of Woods valve and hose kit for loader valve.

N/A = Not Available

Frames – Loader Model LC96

Part No.	Description	Shipping Wt. (lbs.)	Suggested List Price
2209620	Black (Universal)	423	\$ 3,307.00
2209621	Green to match John Deere®	423	3,307.00
2209622	Red to match Case IH®	423	3,307.00
2209623	Blue to match Ford® & New Holland®	423	3,307.00
2209624	Orange to match Kubota®	423	3,307.00
2209625	Miscellaneous Color (Contact Dealer Service for Price and Availability)	423	3,307.00
2209626	Red to match Massey Ferguson®	423	3,307.00
2209627	Vibrant Blue to match New Holland	423	3,307.00
2209628	Yellow to match Cub Cadet®	423	3,307.00
2209629	Red to match Branson®	423	3,307.00
2209630	Red to match Mahindra®	423	3,307.00
2209631	Red to match McCormick®	423	3,307.00

COMPACT SERIES LOADERS – BUCKETS & FRONT-END ATTACHMENTS

SECTION 2

Buckets & Front End Attachments – Loader Model LC96

STANDARD BUCKETS – PIN ATTACHMENT – Or choose Quick Attachment Coupler in sections below

Part No.	Width (in.)	Description	Capacity	Shipping Wt. (lbs.)	Suggested List Price	Qty. of 5 List Price *
2230060	60	Heavy-Duty Loader Bucket – Pin Attachment	9.4 cu. ft.	193	\$ 950.00	—
2230066	66	Heavy-Duty Loader Bucket – Pin Attachment	10.4 cu. ft.	205	1,020.00	—

OPTIONAL QUICK ATTACHMENT COUPLER SYSTEM – Order in place of Standard Buckets above

2200000	Quick Attachment Coupler Assembly			89	\$ 605.00	—
---------	-----------------------------------	--	--	----	-----------	---

OPTIONAL BUCKETS – Compatible with Quick Attachment Coupler System

2170060	60	Standard-Duty Loader Bucket – Quick Attachment Coupler System	8.4 cu. ft.	178	\$ 563.00	—
2240060	60	Heavy-Duty Loader Bucket – Quick Attachment Coupler System	9.4 cu. ft.	184	950.00	—
2240066	66	Heavy-Duty Loader Bucket – Quick Attachment Coupler System	10.4 cu. ft.	206	1,020.00	—

SKID STEER ATTACHMENTS – Compatible with Quick Attachment Coupler System

52756	60	MF6000 – 60" Manure Fork		349	\$ 2,070.00	—
52753	50	GF3000 – Grapple Attachment for Manure Forks		260	2,209.00	—
1037170		BS3044S – Single Bale Spear w/2 Stabilizer Spikes – Skid Steer Quick Attach	3000 lbs.	198	690.00	\$ 621.00
1037171		BS6044S – Double Bale Spear – Skid Steer Quick Attach	6000 lbs.	231	840.00	756.00
1022532		PF2042S – Pallet Fork with 42" Pivoting Tines	2000 lbs.	280	1,013.00	912.00
1038172		PF4436S – Pallet Fork with 36" Lockdown Tines	4400 lbs.	394	1,079.00	971.00
1038173		PF4442S – Pallet Fork with 42" Lockdown Tines	4400 lbs.	409	1,110.00	999.00
1038174		PF4448S – Pallet Fork with 48" Lockdown Tines	4400 lbs.	428	1,129.00	1,016.00

* Order 5 units in any combination of bale spears or any combination of pallet forks to receive an additional 10% discount.

OPTIONAL WEIGHT BOX FOR THREE-POINT HITCH

1006124	Weight Box for Rear Ballast – Fits Category 1, 3-Point Hitch		6.0 cu. ft.	113	\$ 473.00	—
---------	--	--	-------------	-----	-----------	---

Mounting Kits – Loader Model LC96

Mount Kit Part No.	Tractor Brand / Model	Fits Tractor Type				Ship Wt. (lbs.)	Suggested List Price
		2WD	4WD	ROPS	CAB		
AGCO®							
111787	ST34A/ST41A		X	X		310	\$ 1,406.00
111777	ST35 Hydro, ST40 Hydro	X	X	X		328	1,406.00
111770	ST35/ST355X/ST40/ST45X (All Non-Hydro Models)	X	X	X		344	1,406.00
211714	ST47A/ST52A		X	X		334	1,406.00
BOBCAT®							
2200037	CT440/CT445/CT450		X	X	X	288	1,267.00
BRANSON®							
111789	2910/3510/3820/4220/4720		X	X		325	1,020.00
2200017	2910i/3110i/3510i		X	X		461	1,066.00
2200017	3510h/4720h		X	X		461	1,066.00
CASE IH®							
111750	244/245/254/255	X	X	X		250	1,267.00
2200014	D25/DX25/D29/DX29/DX31/D33/DX33/DX34	X	X	X		327	1,482.00
2200015	D35/DX35/D40/DX40/D45/DX45	X	X	X	X	351	1,482.00
2200033	Farmall® 30B/35B	X	X	X		350	1,335.00
2200014	Farmall 31/35	X	X	X		327	1,482.00
2200015	Farmall 40/45/50	X	X	X	X	351	1,482.00
2200034	Farmall 40B/50B	X	X	X		327	1,335.00
CHALLENGER®							
111787	MT265B/MT275B		X	X		310	1,406.00
211714	MT285B/MT295B		X	X	X	334	1,406.00
CUB CADET®							
111730	7260/7265/7300/7305	X	X	X		402	1,280.00
111732	7360	X	X	X		337	1,113.00
211712	7530/7532		X	X		301	1,406.00
111783	8354		X	X		387	1,335.00
111775	8404		X	X		250	1,056.00
111774	8454		X	X		327	1,124.00
2200016	EX2900/EX3200		X	X		264	1,267.00
FORD® & NEW HOLLAND®							
111745	1310/1510	X	X	X		350	1,335.00
111755	1320/1520/1620/1715	X	X	X		332	1,335.00
111755	1530/1630	X	X	X		332	1,335.00
111744	1700/1900/1900 TURF	X	X	X		335	1,476.00
111745	1710	X	X	X		350	1,335.00
111755	1720	X	X	X		332	1,335.00
111755	1725/1925	X	X	X		332	1,335.00
111746	1910/2110	X	X	X		248	1,267.00
111758	1920	X	X	X		343	1,406.00
111735	2120	X	X	X		321	1,476.00
111735	3415	X		X		321	1,476.00
2200033	Boomer 30/35	X	X	X		350	1,335.00
2200034	Boomer 40/50	X	X	X		327	1,335.00
2200015	Boomer 3040/3045/3050, 8N	X	X	X	X	351	1,482.00
2200015	T1530	X	X	X		351	1,482.00

Mount Kit Part No.	Tractor Brand / Model	Fits Tractor Type				Ship Wt. (lbs.)	Suggested List Price
		2WD	4WD	ROPS	CAB		
FORD & NEW HOLLAND (Continued)							
2200014	T2210/T2220 with or without Super Steer	X	X	X		327	\$ 1,482.00
2200015	T2310/T2320/T2330 with or without Super Steer	X	X	X	X	351	1,482.00
2200014	TC25/TC25D/TC29/TC29D/TC29DA/TC31DA/TC33/TC33D/TC33DA/TC34DA with or without Super Steer	X	X	X		327	1,482.00
2200013	TC30/T1510/T1520	X	X	X		316	1,335.00
2200015	TC35/TC35A/TC35D/TC40/TC40A/TC40D/TC40DA/TC45/TC45A/TC45D/TC45DA with or without Super Steer	X	X	X	X	351	1,482.00
JOHN DEERE							
111752	750	X	X	X		320	1,406.00
111743	850 (SN 8999 & Prior)	X		X		324	1,476.00
111743	850 (SN 9000 & Later)	X		X		324	1,476.00
111742	870/970/1070 (with Power Steering Only)	X	X	X		275	1,195.00
111743	950 (SN 11999 & Prior)	X	X	X		324	1,476.00
111743	950 (SN 12000 & Later)	X	X	X		324	1,476.00
111742	990	X	X	X		275	1,195.00
111743	1050	X	X	X		324	1,476.00
211716	3120/3320/3520/3720		X	X		255	1,379.00
211716	3203		X	X		255	1,379.00
211713	4120/4320/4520/4720	X	X	X		272	914.00
111754	4200/4300/4400	X	X	X		246	1,267.00
111776	4210/4310/4410	X	X	X		264	1,124.00
111753	4500/4510/4600/4610/4700/4710	X	X	X		262	1,335.00
KIOTI®							
111781	CK25/CK30/CK35		X	X		273	1,267.00
111767	DK35 (SN 261400101 & Prior)	X	X	X		368	1,547.00
111783	DK35 (SN 261400102 & Later)		X	X		387	1,335.00
111768	DK40 (SN 161400200 & Prior)	X	X	X		290	1,267.00
111775	DK40 (SN 161400201 & Later)	X	X	X		250	1,056.00
2200037	DK40SE/DK45SE/DK50SE		X	X	X	288	1,267.00
2200009	DK35SE		X	X		337	1,987.00
111765	DK45/DK50 (SN 256700000 & Prior)	X	X	X		339	1,406.00
111774	DK45/DK50 (SN 256700001 & Later)	X	X	X		327	1,124.00
111765	DK45/DK50 (SN 256700000 & Prior)	X	X		X	339	1,406.00
111774	DK45/DK50 (SN 256700001 & Later)	X	X		X	327	1,124.00
211717	DK45S		X	X		309	1,406.00
111740	LK2554/LK3054		X	X		326	1,267.00

Mounting Kits continued on next page.

Mounting Kits – Loader Model LC96 (Continued)

Mount Kit Part No.	Tractor Brand / Model	Fits Tractor Type				Ship Wt. (lbs.)	Suggested List Price
		2WD	4WD	ROPS	CAB		
KUBOTA®							
111749	L245/L295	X	X	X		384	\$ 1,547.00
111762	L2050/L2350	X	X	X		364	1,406.00
111739	L2250/L2550/L2850/L3250	X	X	X		359	1,335.00
111762	L2500/L2600	X	X	X		364	1,406.00
111739	L2650/L2950/L3450/L3650	X	X	X		359	1,335.00
111780	L2800/L3400/ L2800 HST/L3400 HST	X	X	X		218	942.00
111761	L2900/L3300/L3600/L4200	X	X	X		384	1,689.00
111761	L2900/L3300/L3600/L4200	X	X		X	384	1,689.00
111763	L3000	X	X	X		357	1,406.00
111761	L3010/L3410/L3710/L4310	X	X	X		384	1,689.00
111761	L3010/L3410/L3710/L4310	X	X		X	384	1,689.00
111771	L3130/L3430/L3830	X	X	X		310	1,124.00
111780	L3200/L3800	X	X	X		218	942.00
2200004	L3240/L3540	X	X	X	X	220	849.00
111771	L3430	X	X		X	310	1,124.00
111780	L3700SU	X	X	X		218	942.00
2200004	L3940	X	X	X	X	220	849.00
2200003	L4240/L4740		X	X	X	347	1,092.00
111766	L4300	X	X	X		343	1,406.00
111772	L4330/L4630/L5030	X	X	X		313	1,124.00
111772	L4330/L4630/L5030	X	X		X	313	1,124.00
211711	L4400	X	X	X		285	1,124.00
211711	L4600	X	X	X		285	1,124.00
111769	L4610	X	X	X		355	1,335.00
111769	L4610	X	X		X	355	1,335.00
111769	MX5000	X	X	X		355	1,335.00

Mount Kit Part No.	Tractor Brand / Model	Fits Tractor Type				Ship Wt. (lbs.)	Suggested List Price
		2WD	4WD	ROPS	CAB		
LANDINI®							
2200037	1-40/1-50		X	X	X	288	\$ 1,267.00
LONG®							
111757	280DTC/360DTC	X	X	X		424	1,689.00
MAHINDRA®							
111730	2615/3015	X	X	X		402	1,280.00
111788	2810 HST/3510 HST		X	X		350	1,267.00
211718	2815/3215		X	X		291	1,379.00
211715	3510		X	X		320	1,689.00
111779	3525	X		X		313	1,476.00
111784	4110		X	X		324	1,124.00
MASSEY FERGUSON®							
111741	1125/1140/1145	X	X	X		324	1,267.00
111741	1240	X	X	X		324	1,267.00
111741	1250/1260 (Prior to SN "G")	X	X	X		324	1,267.00
111741	1250/1260 (SN "G" & Later)	X	X	X		324	1,267.00
111770	1429/1433/1433V/1440/ 1440V (Non-Hydrostat versions)	X	X	X		344	1,406.00
2200019	1529/1532		X	X		334	1,406.00
111787	1533/1540		X	X		310	1,406.00
211714	1547/1552		X	X	X	334	1,406.00
111787	1635		X	X		310	1,406.00
McCORMICK®							
2200037	X10.40/X10.50		X	X	X	288	1,267.00
MONTANA®							
211720	2740/3240		X	X		236	1,455.00
TYM®							
111788	T330 HST		X	X		350	1,267.00

COMPACT SERIES LOADERS – LOADER VALVE KITS

SECTION 4

Valve Kits – Loader Model LC96

Part No.	Description	Shipping Wt. (lbs.)	Suggested List Price
1023509	Joystick Valve Kit – 2500 psi relief – Direct Control, Series Regenerative	39	\$ 1,092.00
1023510	Joystick Valve Kit – 2500 psi relief – Fender Mount Cable Control, Series Regenerative	38	1,476.00
1023511	Joystick Valve Kit – 2500 psi relief – Direct Control, Series Regenerative (includes hoses)	39	1,124.00
1023512	Joystick Valve Kit – 2500 psi relief – Direct Control, Series Regenerative	37	973.00
1023800	Joystick Valve Kit – 2500 psi relief – Direct Control, Series Regenerative – Tall	50	1,157.00

Hose Kits – Loader Model LC96

Part No.	Description	Shipping Wt. (lbs.)	Suggested List Price
1013322	Hose Kit – Power Beyond, Mahindra® 3525, reference 111779 mount kit	13	\$ 356.00
1022118	Hose Kit – Ford® & New Holland® TC30/T1510/T1520, reference 2200013 mount kit	7	142.00
1023528	Hose Kit – Power Beyond, Branson® 2910/3510/3820/4220/4720, reference 111789 mount kit	7	237.00
1023529	Hose Kit – Power Beyond, Case IH® and Ford & New Holland	8	213.00
1023530	Hose Kit – Power Beyond, Cub Cadet® 8354 and Kioti® DK35 (after SN 261400101), reference 111783 mount kit	8	282.00
1023531	Hose Kit – Power Beyond, Case IH and Ford & New Holland	6	127.00
1023532	Hose Kit – Power Beyond, Cub Cadet 8404/8454 and Kioti DK40, DK45/DK50 ROPS, reference 111774/111775 mount kits	8	282.00
1023533	Hose Kit – Power Beyond, Ford 1700/1900, reference 111744 mount kit	13	354.00
1023534	Hose Kit – Power Beyond, Ford 1310/1510/1710/1910/2110, reference 111745/111746 mount kits	8	282.00
1023535	Hose Kit – Power Beyond, Ford & New Holland and Kubota® (see reference list)	8	282.00
1023540	Hose Kit – Power Beyond, John Deere® 850 (SN 8999 & Prior), 950 (SN 11999 & Prior)	8	282.00
1023541	Hose Kit – Power Beyond, John Deere 850 (SN 9000 & Later), 950 (SN 12000 & Later) & 1050	13	282.00
1023542	Hose Kit – Power Beyond, John Deere 870/970/1070, 990 (requires JD BM18010 hydraulic kit)	13	319.00
1023544	Hose Kit – Power Beyond, Kioti DK35/DK40/DK45/DK50	8	213.00
1023545	Hose Kit – Power Beyond, Kubota L2900/L3300/L3600/L4200 CAB, L3010/L3410/L3710/L4310/L4610 CAB and Kioti DK45/DK50 CAB, reference 111761/111765 mount kits	6	178.00
1023546	Hose Kit – Power Beyond, Kioti DK45/DK50 CAB, reference 111774 mount kit	6	213.00
1023548	Hose Kit – Power Beyond, Kubota L245/L295, reference 111749 mount kit	9	289.00
1023549	Hose Kit – Power Beyond, Kubota L2250 – L3650, reference 111739 mount kit	12	282.00
1023550	Hose Kit – Power Beyond, Kubota L3430/L4330/L4630/L5030 with Cab	11	282.00
1023552	Hose Kit – Power Beyond, Long® 280DTC/360DTC, reference 111757 mount kit	8	354.00
1023553	Hose Kit – Power Beyond, Mahindra 2810 HST/3510 HST, 3510/4110 and Tym® T330 HST, reference 111784/111788/211715 mount kits	12	256.00
1023604	Hose Kit – Power Beyond, Agco® ST34A/ST41A, Challenger® MT265B/MT275B, Massey Ferguson® 1533/1540/1635, reference 111787 mount kit	9	256.00
1023605	Hose Kit – Power Beyond, Agco ST35/ST40 Hydro, ST35/ST35X/ST40/ST40X, reference 111770/111777 mount kits	7	247.00
1023606	Hose Kit – (4) 54” Hoses with couplers, Agco ST47A/ST52A, Challenger MT285B/MT295B, Massey Ferguson 1547/1552, reference 211714 mount kit	7	213.00
1023607	Hose Kit – Power Beyond, Case IH 244/245/254/255, reference 111750 mount kit	12	319.00
1023609	Hose Kit – Power Beyond, Cub Cadet 7360, reference 111732 mount kit	11	175.00
1023610	Hose Kit – Power Beyond, Cub Cadet 7260/7265/7300/7305 and Mahindra 2615/3015, reference 111730 mount kit	7	282.00
1023611	Hose Kit – Power Beyond, Cub Cadet 7530/7532 and Mahindra 2815/3215, reference 211712/211718 mount kits	4	169.00
1023613	Hose Kit – (4) 54” Hoses with couplers, Case IH and Ford & New Holland	9	213.00
1023614	Hose Kit – Power Beyond, John Deere 750, reference 111752 mount kit	10	247.00
1023615	Hose Kit – (4) 46” Hoses with couplers, John Deere 4000 series tractors (use with JD SCV valve)	10	282.00
1023616	Hose Kit – (4) 75” Hoses with couplers, John Deere 870/970/990/1070 (use with JD SCV valve)	10	319.00
1023617	Hose Kit – (4) 54” Hoses with couplers, Kioti CK25/CK30/CK35, reference 111781 mount kit	11	354.00
1023618	Hose Kit – (4) 54” Hoses with couplers, Kioti DK45S, reference 211717 mount kit	12	282.00
1023619	Hose Kit – Power Beyond, Kioti LK2554/LK3054, reference 111740 mount kit	8	282.00
1023620	Hose Kit – Power Beyond, Kubota L2050/L2350/L2500/L2600/L3000, reference 111762/111763 mount kits	10	319.00
1023622	Hose Kit – Power Beyond, Massey Ferguson 1125/1140/1145, 1240, 1250/1260 (Prior to SN “G”), reference 111741 mount kit	9	354.00
1023623	Hose Kit – Power Beyond, Massey Ferguson 1250/1260 (SN “G” & Later), reference 111741 mount kit	10	233.00
1023624	Hose Kit – Power Beyond, Massey Ferguson 1429/1433/1433V/ 1440/1440V, reference 111770 mount kit	6	247.00
1023627	Hose Kit – (4) 54” Hoses with couplers, Kubota L3240/L3540, L4240/L4740, reference 2200003/2200004 mount kits	9	298.00
1023628	Hose Kit – (4) 46” Hoses with couplers, John Deere 3120/3320/3520/3720 & 3203	7	131.00
1023802	Hose Kit – Power Beyond, Montana® 2740/3240, reference 211720 mount kit	12	221.00
1023996	Hose Kit – Kubota L3940, reference 2200004 mount kit	12	345.00

Hose Kits continued on next page.

Hose Kits – Loader Model LC96 (Continued)

Part No.	Description	Shipping Wt. (lbs.)	Suggested List Price
1025739	Hose Kit – (4) 60" Hoses with couplers, Bobcat®, Kioti®, Landini® and McCormick®, ref. 2200009/2200037 mount kits	9	\$ 373.00
1028252	Hose Kit – (4) 54" Hoses with couplers, Cub Cadet® EX2900/EX3200, reference 2200016 mount kit	8	253.00
1029474	Hose Kit – Branson® 3510h/4720h, reference 2200017 mount kit	8	237.00
1030159	Hose Kit – Branson 2910i/3110i/3510i, reference 2200017 mount kit	12	237.00
1030185	Hose Kit – Power Beyond, Massey Ferguson® 1529/1532, reference 2200019 mount kit	10	354.00
1033412	Hose Kit – Case IH Farmall and New Holland® Boomer, reference 2200033/2200034 mount kits	10	173.00

COMPACT SERIES LOADERS – GRILL GUARDS

SECTION 6

Grill Guards – Loader Model LC96

Part No.	Description	Shipping Wt. (lbs.)	Suggested List Price
40988	Grill Guard – John Deere® 870/970/1070, 990 reference 111742 mount kit	43	\$ 142.00
46775	Grill Guard – Ford® & New Holland 2120/3415, reference 111735 mount kit	30	142.00
46995	Grill Guard – Ford & New Holland 1920, reference 111758 mount kit	30	109.00
52322	Grill Guard – Cub Cadet 7360, reference 111732 mount kit	41	142.00
58310	Grill Guard – Massey Ferguson and Agco®, reference 111741/111777 mount kits	36	213.00
58608	Grill Guard – Kioti LK2554/LK3054, reference 111740 mount kit	40	142.00
59738	Grill Guard – John Deere, reference 111753/111754/111776 mount kits	40	213.00
1000754	Grill Guard – Kubota® L4300, reference 111766 mount kit	56	213.00
1001044	Grill Guard – Case IH and Ford & New Holland, reference 2200015 mount kit	30	142.00
1001550	Grill Guard – Case IH and Ford & New Holland, reference 111755 mount kit	24	109.00
1002615	Grill Guard – Kubota, reference 111739/111761/111762/111763 mount kits	46	213.00
1002626	Grill Guard – Cub Cadet 8404/8454 and Kioti DK40/DK45/DK50, reference 111765/111768/111774/111775 mount kits	51	213.00
1003186	Grill Guard – Cub Cadet 8354 and Kioti DK35, reference 111767/111783 mount kits	54	213.00
1004610	Grill Guard – Kubota L4610/MX5000, reference 111769 mount kit	55	213.00
1006322	Grill Guard – Massey Ferguson and Agco, reference 111770 mount kit	42	142.00
1006492	Grill Guard – Kubota, reference 111771/111772/111780/211711/2200004 mount kits	55	213.00
1007640	Grill Guard – Mahindra® 2810 HST/3510 HST and Tym® T330 HST, reference 111788 mount kit	21	109.00
1011419	Grill Guard – Kioti CK25/CK30/CK35, reference 111781 mount kit	31	142.00
1011526	Grill Guard – Mahindra 3510/4110, reference 111784/211715 mount kits	40	213.00
1013288	Grill Guard – Agco ST34A/ST41A/ST47A/ST52A, Challenger® MT265B/MT275B/MT285B/MT295B, Massey Ferguson 1529/1532/1533/1540/1547/1552/1635, reference 111787/211714/2200019 mount kits	47	190.00
1013487	Grill Guard – Branson, reference 111789/2200017 mount kits	38	169.00
1014864	Grill Guard – John Deere 4120/4320/4520/4720, reference 211713 mount kit	36	213.00
1016376	Grill Guard – Kioti DK45S, reference 211717 mount kit	40	213.00
1019012	Grill Guard – John Deere 3120/3320/3520/3720 & 3203, reference 211716 mount kit	39	320.00
1021860	Grill Guard – Mahindra 2815/3215, reference 211718 mount kit	29	167.00
1021952	Grill Guard – Montana® 2740/3240, reference 211720 mount kit	30	185.00
1022113	Grill Guard – Case IH and New Holland, reference 2200013/2200014 mount kits	34	208.00
1025236	Grill Guard – Bobcat, Kioti, Landini and McCormick, reference 2200009/2200037 mount kits	39	269.00
1026400	Grill Guard – Cub Cadet EX2900/EX3200, reference 2200016 mount kit	25	240.00
1029450	Grill Guard – Kubota L3940, L4240/L4740, reference 2200003/2200004 mount kits	77	368.00
1033415	Grill Guard – Case IH Farmall 30B/35B and New Holland Boomer 30/35, reference 2200033 mount kit	35	173.00
1033425	Grill Guard – Case IH Farmall 40B/50B and New Holland Boomer 40/50, reference 2200034 mount kit	34	173.00
1033670	Grill Guard – Kubota L3200/L3700SU/L3800/L4600, reference 111780/211711 mount kits	61	228.00

Miscellaneous – Loader Model LC96

Part No.	Description	Shipping Wt. (lbs.)	Suggested List Price
1005093	Paint – Case of 12 Spray Cans – Red to match Case IH®	13	\$ 178.00
1005094	Paint – Case of 12 Spray Cans – Yellow to match Cub Cadet®	13	178.00
1005095	Paint – Case of 12 Spray Cans – Blue to match New Holland® Vibrant Blue	13	178.00
1005096	Paint – Case of 12 Spray Cans – Blue to match New Holland Ford® Blue	13	178.00
1005097	Paint – Case of 12 Spray Cans – Orange to match Kubota®	13	178.00
1005098	Paint – Case of 12 Spray Cans – Red to match Massey Ferguson®	13	178.00

COMPACT SERIES LOADERS – TRACTOR NOTES

SECTION 8

Tractor Notes – Loader Model LC96

1. Mount fits with OEM auxiliary valve – OEM auxiliary valve required Woods® hose kit 1023613.
2. Fits with Super Steer® front axle.
3. Hose kit 1023533 fits tractors with draft control only.
4. If tractor is equipped with John Deere® BM18010 rear quick coupler kit, use Woods hose kit 1023542. If tractor is equipped with John Deere Selective Control Valve (SCV), use Woods hose kit 1023616.
5. Tractor must have power steering to use hose kit.
6. Requires John Deere Selective Control Valve (SCV) and Woods hose kit to connect to tractor mid-remote couplers.
7. Grill guard included with mounting kit.
8. Will not fit 3-cylinder tractors with 29 x 12.5 x 15 turf tires.
9. Fits with Woods mower models C360 & C372.
10. L3010 and L3410 only – fits with Kubota mid-mount mower model RC72-29A.
11. 2-function valve kit 1023511 includes all hoses and fittings to connect to tractor hydraulic system.
12. Requires reinforcement kit 1004750 to fit OEM mower model 914A. Reinforcement kit is NOT compatible with Super Steer front axle.
13. Hose kit 1023617 required to connect loader to OEM loader valve supplied with tractor.
14. Hose kit 1023618 required to connect loader to OEM loader valve supplied with tractor.
15. Tractor must be equipped with OEM loader valve and quick couplers. Order hose kit 1023606 to connect.
16. Tractors with Cab must be equipped with OEM loader valve and mid-remote quick couplers. Order hose kit 1023613 to connect.
17. Tractor must be equipped with Kioti® mid-remote cable valve and couplers to use hose kit 1025236.
18. Weight box 1006124 is recommended for tractor stability.
19. Tractor must be equipped with OEM loader valve and mid-remote quick couplers.
20. Hose kit 1029474 is used on Branson® “h” (hydro) series tractors; hose kit 1030159 is used on Branson “i” (gear) series tractors.
21. Tractor must be equipped with OEM loader valve and mid-remote quick couplers. Order hose kit 1033412 to connect.
22. Hose kit connects to OEM loader valve supplied with tractor.

LC102 Features and Specifications

FEATURES:

Curved loader boom
Midmount loader boom attachment
Fast D-Tach loader
Parking stands – stored in loader boom cross tube
Bucket rod level indicator
4-bar bucket linkage
Manual tube on the loader boom cross tube
Optional Quick Attachment Coupler System
Construction bucket
2-year warranty

SPECIFICATIONS:

Fits 20 – 35 hp tractors (2WD & FWA)	Breakout at 19.7 inches ahead of bucket pivot pins: 2250 lbs.
Lift height: 102 inches	Maximum digging depth: 4 inches
Lift cylinders: 1.97 inches; Bucket cylinders: 1.97 inches	Dump angle: 50 degrees
Lift capacity at bucket pins: 1650 lbs.	Roll back angle: 35 degrees
Lift capacity at 19.7 inches ahead of bucket pivot pins: 1200 lbs.	Reach: 30 inches
Breakout at bucket pins: 2950 lbs.	Pivot pins diameter: 1.00 and 1.25 inches

To Order a Complete Loader Using the Woods® Quick Order System

- Find the tractor brand and model you are attempting to fit in the **Tractor/Loader Adaptability Chart**.
- Select the loader model you wish to price (each model belongs to a Loader Series, i.e., Compact Series).
- Go to the appropriate Loader Model **Quick Order** tab.
- Find the tractor brand / model you are fitting.
- Order loader frame.
- Order pin-on bucket or Quick Attachment Carrier System and quick attach bucket.
- Order completing kit.

Be sure to refer to the “Notes” column; Tractor Notes are found at the end of each tabbed section in the Loader price pages. Prices for each component are listed in the appropriate component section. If you have any questions, please contact Woods Dealer Services.

EXAMPLE

When ordering a loader to fit a New Holland® tractor, model TC40D ROPS, do the following:

1. The New Holland TC40D ROPS tractor is fit by three Woods loader models: LC96, LC102 and LC108. (Reference Tractor/Loader Adaptability Chart.) We are selecting the LC102 model.
2. Flip to the LC102 **Quick Order** tab.
3. **Section 1** – Select tractor brand and model that the LC102 loader is to fit – New Holland TC40D ROPS.
 - a. Order the loader frame #2210227 (NH Vibrant Blue to match New Holland).
 - b. Order the bucket #2270066 (66” QA attachment bucket).
Note: If selecting pin attachment, order 66” pin-on bucket.
 - c. Order Quick Attachment Coupler System #2350000.
 - d. Order the completing kit #2200015D. Completing kit includes loader mount, valve, hose kit and grill guard. List price of complete loader is \$8,389; total weight is 1221 lbs.

Unless noted, each "Loader Complete" STANDARD configuration includes loader, bucket, and completing kit (mount, hydraulics and grill guard, if grill guard is available). Any deviation from standard configuration will require ordering components individually.

Quick Order Section – Loader Model LC102

Tractor Brand / Model	Loader Pkg. Type	Fits Tractor Type				Loader Frame Color	Quick Order Part Numbers						Ship Wt. (lbs.)	Suggested List Price	Tractor Notes	
		2WD	4WD	ROPS	CAB		LC102 Loader Frame	Bucket Width (in.)	Pin-On Bucket	Quick Attach. Coupler	QA Bucket	Completing Kit *				
AGCO®																
ST34A/ST41A	Pin-on		X	X		Black	2210220	66	2260066			111787D	1161	\$ 7,753		
ST34A/ST41A	QA		X	X		Black	2210220	66		2350000	2270066	111787D	1230	8,404		
ST35 Hydro/ST40 Hydro	Pin-on	X	X	X		Black	2210220	66	2260066			111777D	1173	7,767		
ST35 Hydro/ST40 Hydro	QA	X	X	X		Black	2210220	66		2350000	2270066	111777D	1242	8,418		
ST35/ST35X/ST40/ST40X (All Non-Hydro Models)	Pin-on	X	X	X		Black	2210220	66	2260066			111770D	1189	7,767		
ST35/ST35X/ST40/ST40X (All Non-Hydro Models)	QA	X	X	X		Black	2210220	66		2350000	2270066	111770D	1258	8,418		
ST47A/ST52A	Pin-on		X	X		Black	2210220	66	2260066			211714H1	1148	6,618	15	
ST47A/ST52A	QA		X	X		Black	2210220	66		2350000	2270066	211714H1	1217	7,269	15	
BOBCAT®																
CT440/CT445/CT450	Pin-on		X	X	X	Black	2210220	66	2260066			2200037H	TBD	6,718	21	
CT440/CT445/CT450	QA		X	X	X	Black	2210220	66		2350000	2270066	2200037H	TBD	7,369	21	
BRANSON®																
2910/3510/3820/4220/4720	Pin-on		X	X		Red	2210229	66	2260066			111789D1	1180	7,392		
2910/3510/3820/4220/4720	QA		X	X		Red	2210229	66		2350000	2270066	111789D1	1249	8,043		
2910i/3110i/3510i	Pin-on		X	X		Red	2210229	66	2260066			2200017D	1294	7,393	19	
2910i/3110i/3510i	QA		X	X		Red	2210229	66		2350000	2270066	2200017D	1367	8,044	19	
3510h/4720h	Pin-on		X	X		Red	2210229	66	2260066			2200017D1	1290	7,393	19	
3510h/4720h	QA		X	X		Red	2210229	66		2350000	2270066	2200017D1	1363	8,044	19	
CASE IH®																
244/245/254/255	Pin-on	X	X	X		Red	2210222	66	2260066			111750D	1068	7,487		
244/245/254/255	QA	X	X	X		Red	2210222	66		2350000	2270066	111750D	1137	8,138		
D25/DX25/D29/DX29/DX31/D33/DX33/DX34	Pin-on	X	X	X		Red	2210222	66	2260066			2200014D	1195	7,718	12	
D25/DX25/D29/DX29/DX31/D33/DX33/DX34	QA	X	X	X		Red	2210222	66		2350000	2270066	2200014D	1268	8,369	12	
D25/DX25/D29/DX29/DX31/D33/DX33/DX34	Pin-on	X	X	X		Red	2210222	66	2260066			2200014H	1103	6,712	1, 12	
D25/DX25/D29/DX29/DX31/D33/DX33/DX34	QA	X	X	X		Red	2210222	66		2350000	2270066	2200014H	1176	7,363	1, 12	
D35/DX35/D40/DX40/D45/DX45	Pin-on	X	X	X		Red	2210222	66	2260066			2200015D	1148	7,738		
D35/DX35/D40/DX40/D45/DX45	QA	X	X	X		Red	2210222	66		2350000	2270066	2200015D	1221	8,389		
D35/DX35/D40/DX40/D45/DX45	Pin-on	X	X	X	X	Red	2210222	66	2260066			2200015H	1112	6,646	16	
D35/DX35/D40/DX40/D45/DX45	QA	X	X	X	X	Red	2210222	66		2350000	2270066	2200015H	1185	7,297	16	
Farmall® 30B/35B	Pin-on	X	X	X		Red	2210222	66	2260066			2200033H	1123	6,490	20	
Farmall 30B/35B	QA	X	X	X		Red	2210222	60		2350000	2270060	2200033H	1195	7,071	20	
Farmall 31/35	Pin-on	X	X	X		Red	2210222	66	2260066			2200014D	1195	7,718	12	
Farmall 31/35	QA	X	X	X		Red	2210222	66		2350000	2270066	2200014D	1268	8,369	12	
Farmall 31/35	Pin-on	X	X	X		Red	2210222	66	2260066			2200014H	1103	6,712	1, 12	
Farmall 31/35	QA	X	X	X		Red	2210222	66		2350000	2270066	2200014H	1176	7,363	1, 12	

* Completing Kits that end in D, D1, D2 or D3 contain mounting kit, Woods Hydraulic Package (2-spool direct control valve and hose kit) and grill guard, if available. Completing Kits that end in C1 contain mounting kit, Woods Hydraulic Package (2-spool cable control valve and hose kit) and grill guard, if available. Completing Kits that end in H, H1 or H2 contain mounting kit, 4-hose kit (to connect loader to OEM remote valve) and grill guard, if available.

Unless noted, each "Loader Complete" STANDARD configuration includes loader, bucket, and completing kit (mount, hydraulics and grill guard, if grill guard is available). Any deviation from standard configuration will require ordering components individually.

Quick Order Section – Loader Model LC102 (Continued)

Tractor Brand / Model	Loader Pkg. Type	Fits Tractor Type				Loader Frame Color	Quick Order Part Numbers					Ship Wt. (lbs.)	Suggested List Price	Tractor Notes	
		2WD	4WD	ROPS	CAB		LC102 Loader Frame	Bucket Width (in.)	Pin-On Bucket	Quick Attach. Coupler	QA Bucket				Completing Kit *
CASE IH® (Continued)															
Farmall® 40/45/50	Pin-on	X	X	X		Red	2210222	66	2260066			2200015D	1148	\$ 7,738	
Farmall 40/45/50	QA	X	X	X		Red	2210222	66		2350000	2270066	2200015D	1221	8,389	
Farmall 40/45/50	Pin-on	X	X	X	X	Red	2210222	66	2260066			2200015H	1112	6,646	16
Farmall 40/45/50	QA	X	X	X	X	Red	2210222	66		2350000	2270066	2200015H	1185	7,297	16
Farmall 40B/50B	Pin-on	X	X	X		Red	2210222	66	2260066			2200034H	TBD	6,490	20
Farmall 40B/50B	QA	X	X	X		Red	2210222	66		2350000	2270066	2200034H	TBD	7,141	20
CHALLENGER®															
MT265B/MT275B	Pin-on		X	X		Black	2210220	66	2260066			111787D	1148	7,753	
MT265B/MT275B	QA		X	X		Black	2210220	66		2350000	2270066	111787D	1254	8,404	
MT285B/MT295B	Pin-on		X	X	X	Black	2210220	66	2260066			211714H1	1148	6,618	15
MT285B/MT295B	QA		X	X	X	Black	2210220	66		2350000	2270066	211714H1	1217	7,269	15
CUB CADET®															
7260/7265/7300/7305	Pin-on	X	X	X		Yellow	2210228	66	2260066			111730D	1205	7,463	7, 9
7260/7265/7300/7305	QA	X	X	X		Yellow	2210228	66		2350000	2270066	111730D	1274	8,114	7, 9
7360	Pin-on	X	X	X		Yellow	2210228	66	2260066			111732D	1183	7,331	
7360	QA	X	X	X		Yellow	2210228	66		2350000	2270066	111732D	1252	7,982	
7530/7532	Pin-on		X	X		Yellow	2210228	66	2260066			211712D	1102	7,476	7
7530/7532	QA		X	X		Yellow	2210228	66		2350000	2270066	211712D	1171	8,127	7
8354	Pin-on		X	X		Yellow	2210228	66	2260066			111783D1	1248	7,731	
8354	QA		X	X		Yellow	2210228	66		2350000	2270066	111783D1	1317	8,382	
8404	Pin-on		X	X		Yellow	2210228	66	2260066			111775D1	1106	7,452	
8404	QA		X	X		Yellow	2210228	66		2350000	2270066	111775D1	1175	8,103	
8454	Pin-on		X	X		Yellow	2210228	66	2260066			111774D1	1183	7,520	
8454	QA		X	X		Yellow	2210228	66		2350000	2270066	111774D1	1252	8,171	
EX2900/EX3200	Pin-on		X	X		Yellow	2210228	66	2260066			2200016H	1049	6,569	22
EX2900/EX3200	QA		X	X		Yellow	2210228	60		2350000	2270060	2200016H	1103	7,150	22
FORD® & NEW HOLLAND®															
1310/1510	Pin-on	X	X	X		Fd-NH Blue	2210223	66	2260066			111745D	1155	7,518	
1310/1510	QA	X	X	X		Fd-NH Blue	2210223	66		2350000	2270066	111745D	1224	8,169	
1320/1520/1620/1715	Pin-on	X	X	X		Fd-NH Blue	2210223	66	2260066			111755D1	1160	7,627	12
1320/1520/1620/1715	QA	X	X	X		Fd-NH Blue	2210223	66		2350000	2270066	111755D1	1229	8,278	12
1530/1630	Pin-on	X	X	X		Fd-NH Blue	2210223	66	2260066			111755D1	1160	7,627	1, 2, 12
1530/1630	QA	X	X	X		Fd-NH Blue	2210223	66		2350000	2270066	111755D1	1229	8,278	1, 2, 12
1530/1630	Pin-on	X	X	X		Fd-NH Blue	2210223	66	2260066			111755H	1117	6,466	1, 2, 12
1530/1630	QA	X	X	X		Fd-NH Blue	2210223	66		2350000	2270066	111755H	1186	7,117	1, 2, 12
1700/1900/1900 TURF	Pin-on	X	X	X		Fd-NH Blue	2210223	66	2260066			111744D	1143	7,731	3
1700/1900/1900 TURF	QA	X	X	X		Fd-NH Blue	2210223	66		2350000	2270066	111744D	1212	8,382	3
1710	Pin-on	X	X	X		Fd-NH Blue	2210223	66	2260066			111745D	1155	7,518	
1710	QA	X	X	X		Fd-NH Blue	2210223	66		2350000	2270066	111745D	1224	8,169	
1720	Pin-on	X	X	X		Fd-NH Blue	2210223	66	2260066			111755D1	1160	7,627	
1720	QA	X	X	X		Fd-NH Blue	2210223	66		2350000	2270066	111755D1	1229	8,278	
1725/1925	Pin-on	X	X	X		NH Vib Blue	2210227	66	2260066			111755D1	1160	7,627	1, 12
1725/1925	QA	X	X	X		NH Vib Blue	2210227	66		2350000	2270066	111755D1	1229	8,278	1, 12
1725/1925	Pin-on	X	X	X		NH Vib Blue	2210227	66	2260066			111755H	1117	6,466	1, 12
1725/1925	QA	X	X	X		NH Vib Blue	2210227	66		2350000	2270066	111755H	1186	7,117	1, 12

* Completing Kits that end in D, D1, D2 or D3 contain mounting kit, Woods Hydraulic Package (2-spool direct control valve and hose kit) and grill guard, if available.
 Completing Kits that end in C1 contain mounting kit, Woods Hydraulic Package (2-spool cable control valve and hose kit) and grill guard, if available.
 Completing Kits that end in H, H1 or H2 contain mounting kit, 4-hose kit (to connect loader to OEM remote valve) and grill guard, if available.

Unless noted, each "Loader Complete" STANDARD configuration includes loader, bucket, and completing kit (mount, hydraulics and grill guard, if grill guard is available). Any deviation from standard configuration will require ordering components individually.

Quick Order Section – Loader Model LC102 (Continued)

Tractor Brand / Model	Loader Pkg. Type	Fits Tractor Type				Loader Frame Color	Quick Order Part Numbers					Ship Wt. (lbs.)	Suggested List Price	Tractor Notes	
		2WD	4WD	ROPS	CAB		LC102 Loader Frame	Bucket Width (in.)	Pin-On Bucket	Quick Attach. Coupler	QA Bucket				Completing Kit *
FORD® & NEW HOLLAND® (Continued)															
1910/2110	Pin-on	X	X	X		Fd-NH Blue	2210223	66	2260066			111746D1	1053	\$ 7,450	
1910/2110	QA	X	X	X		Fd-NH Blue	2210223	66		2350000	2270066	111746D1	1122	8,101	
1920	Pin-on	X	X	X		Fd-NH Blue	2210223	66	2260066			111758D1	1176	7,629	
1920	QA	X	X	X		Fd-NH Blue	2210223	66		2350000	2270066	111758D1	1245	8,280	
2120	Pin-on	X	X	X		Fd-NH Blue	2210223	66	2260066			111735D1	1155	7,801	
2120	QA	X	X	X		Fd-NH Blue	2210223	66		2350000	2270066	111735D1	1224	8,452	
3415	Pin-on	X		X		NH Vib Blue	2210227	66	2260066			111735D1	1155	7,801	
3415	QA	X		X		NH Vib Blue	2210227	66		2350000	2270066	111735D1	1224	8,452	
Boomer 30/35	Pin-on	X	X	X		NH Vib Blue	2210227	66	2260066			2200033H	1123	6,490	20
Boomer 30/35	QA	X	X	X		NH Vib Blue	2210227	60		2350000	2270060	2200033H	1195	7,071	20
Boomer 40/50	Pin-on	X	X	X		NH Vib Blue	2210227	66	2260066			2200034H	TBD	6,490	20
Boomer 40/50	QA	X	X	X		NH Vib Blue	2210227	66		2350000	2270066	2200034H	TBD	7,141	20
Boomer 3040/3045/3050, 8N	Pin-on	X	X	X	X	NH Vib Blue	2210227	66	2260066			2200015D	1148	7,738	16
Boomer 3040/3045/3050, 8N	QA	X	X	X	X	NH Vib Blue	2210227	66		2350000	2270066	2200015D	1221	8,389	16
T1530	Pin-on	X	X	X		NH Vib Blue	2210227	66	2260066			2200015D	1148	7,738	
T1530	QA	X	X	X		NH Vib Blue	2210227	66		2350000	2270066	2200015D	1221	8,389	
T2210/T2220 with or without Super Steer	Pin-on	X	X	X		NH Vib Blue	2210227	66	2260066			2200014D	1195	7,718	12
T2210/T2220 with or without Super Steer	QA	X	X	X		NH Vib Blue	2210227	66		2350000	2270066	2200014D	1268	8,369	12
T2210/T2220 with or without Super Steer	Pin-on	X	X	X		NH Vib Blue	2210227	66	2260066			2200014H	1103	6,712	1, 12
T2210/T2220 with or without Super Steer	QA	X	X	X		NH Vib Blue	2210227	66		2350000	2270066	2200014H	1176	7,363	1, 12
T2310/T2320/T2330 w/ or w/out Super Steer	Pin-on	X	X	X		NH Vib Blue	2210227	66	2260066			2200015D	1148	7,738	
T2310/T2320/T2330 w/ or w/out Super Steer	QA	X	X	X		NH Vib Blue	2210227	66		2350000	2270066	2200015D	1221	8,389	
T2310/T2320/T2330 w/ or w/out Super Steer	Pin-on	X	X	X	X	NH Vib Blue	2210227	66	2260066			2200015H	1112	6,646	16
T2310/T2320/T2330 w/ or w/out Super Steer	QA	X	X	X	X	NH Vib Blue	2210227	66		2350000	2270066	2200015H	1185	7,297	16
TC25/TC25D/TC29/TC29D/TC29DA/TC31DA/TC33/TC33D/TC33DA/TC34DA with or without Super Steer	Pin-on	X	X	X		NH Vib Blue	2210227	66	2260066			2200014D	1195	7,718	12
TC25/TC25D/TC29/TC29D/TC29DA/TC31DA/TC33/TC33D/TC33DA/TC34DA with or without Super Steer	QA	X	X	X		NH Vib Blue	2210227	66		2350000	2270066	2200014D	1268	8,369	12
TC25/TC25D/TC29/TC29D/TC29DA/TC31DA/TC33/TC33D/TC33DA/TC34DA with or without Super Steer	Pin-on	X	X	X		NH Vib Blue	2210227	66	2260066			2200014H	1103	6,712	1, 12
TC25/TC25D/TC29/TC29D/TC29DA/TC31DA/TC33/TC33D/TC33DA/TC34DA with or without Super Steer	QA	X	X	X		NH Vib Blue	2210227	66		2350000	2270066	2200014H	1176	7,363	1, 12

* Completing Kits that end in D, D1, D2 or D3 contain mounting kit, Woods Hydraulic Package (2-spool direct control valve and hose kit) and grill guard, if available. Completing Kits that end in C1 contain mounting kit, Woods Hydraulic Package (2-spool cable control valve and hose kit) and grill guard, if available. Completing Kits that end in H, H1 or H2 contain mounting kit, 4-hose kit (to connect loader to OEM remote valve) and grill guard, if available.

Unless noted, each "Loader Complete" STANDARD configuration includes loader, bucket, and completing kit (mount, hydraulics and grill guard, if grill guard is available). Any deviation from standard configuration will require ordering components individually.

Quick Order Section – Loader Model LC102 (Continued)

Tractor Brand / Model	Loader Pkg. Type	Fits Tractor Type				Loader Frame Color	Quick Order Part Numbers					Ship Wt. (lbs.)	Suggested List Price	Tractor Notes	
		2WD	4WD	ROPS	CAB		LC102 Loader Frame	Bucket Width (in.)	Pin-On Bucket	Quick Attach. Coupler	QA Bucket				Completing Kit *
FORD® & NEW HOLLAND® (Continued)															
TC30/T1510/T1520	Pin-on	X	X	X		NH Vib Blue	2210227	66	2260066			2200013D	1139	\$ 7,586	19
TC30/T1510/T1520	QA	X	X	X		NH Vib Blue	2210227	66		2350000	2270066	2200013D	1212	8,237	19
TC35/TC35A/TC35D/ TC40/TC40A/TC40D/ TC40DA/TC45/TC45A/ TC45D/TC45DA with or without Super Steer	Pin-on	X	X	X		NH Vib Blue	2210227	66	2260066			2200015D	1148	7,738	
TC35/TC35A/TC35D/ TC40/TC40A/TC40D/ TC40DA/TC45/TC45A/ TC45D/TC45DA with or without Super Steer	QA	X	X	X		NH Vib Blue	2210227	66		2350000	2270066	2200015D	1221	8,389	
TC35/TC35A/TC35D/ TC40/TC40A/TC40D/ TC40DA/TC45/TC45A/ TC45D/TC45DA with or without Super Steer	Pin-on	X	X	X	X	NH Vib Blue	2210227	66	2260066			2200015H	1112	6,646	16
TC35/TC35A/TC35D/ TC40/TC40A/TC40D/ TC40DA/TC45/TC45A/ TC45D/TC45DA with or without Super Steer	QA	X	X	X	X	NH Vib Blue	2210227	66		2350000	2270066	2200015H	1185	7,297	16
JOHN DEERE®															
750	Pin-on	X	X	X		Green	2210221	66	2260066			111752D	1125	7,589	
750	QA	X	X	X		Green	2210221	66		2350000	2270066	111752D	1199	8,240	
850 (SN 8999 & Prior)	Pin-on	X		X		Green	2210221	66	2260066			111743D3	1130	7,659	
850 (SN 8999 & Prior)	QA	X		X		Green	2210221	66		2350000	2270066	111743D3	1199	8,310	
850 (SN 9000 & Later)	Pin-on	X		X		Green	2210221	66	2260066			111743D2	1131	7,659	
850 (SN 9000 & Later)	QA	X		X		Green	2210221	66		2350000	2270066	111743D2	1200	8,310	
870/970/1070 (Power Steering only)	Pin-on	X	X	X		Green	2210221	66	2260066			111742D1	1114	7,557	4
870/970/1070 (Power Steering only)	QA	X	X	X		Green	2210221	66		2350000	2270066	111742D1	1183	8,208	4
870/970/1070 (Power Steering only)	Pin-on	X	X	X		Green	2210221	66	2260066			111742H1	1069	6,465	4
870/970/1070 (Power Steering only)	QA	X	X	X		Green	2210221	66		2350000	2270066	111742H1	1138	7,116	4
950 (SN 11999 & Prior)	Pin-on	X	X	X		Green	2210221	66	2260066			111743D3	1130	7,659	
950 (SN 11999 & Prior)	QA	X	X	X		Green	2210221	66		2350000	2270066	111743D3	1199	8,310	
950 (SN 12000 & Later)	Pin-on	X	X	X		Green	2210221	66	2260066			111743D2	1131	7,659	
950 (SN 12000 & Later)	QA	X	X	X		Green	2210221	66		2350000	2270066	111743D2	1200	8,310	
990	Pin-on	X	X	X		Green	2210221	66	2260066			111742D1	1114	7,557	4
990	QA	X	X	X		Green	2210221	66		2350000	2270066	111742D1	1183	8,208	4
990	Pin-on	X	X	X		Green	2210221	66	2260066			111742H1	1069	6,465	4
990	QA	X	X	X		Green	2210221	66		2350000	2270066	111742H1	1138	7,116	4
1050	Pin-on	X	X	X		Green	2210221	66	2260066			111743D2	1130	7,659	
1050	QA	X	X	X		Green	2210221	66		2350000	2270066	111743D2	1199	8,310	
3120/3320/3520/3720	Pin-on		X	X		Green	2210221	66	2260066			211716H	1057	6,639	6
3120/3320/3520/3720	QA		X	X		Green	2210221	66		2350000	2270066	211716H	1126	7,290	6
3203	Pin-on		X	X		Green	2210221	66	2260066			211716H	1057	6,639	6
3203	QA		X	X		Green	2210221	66		2350000	2270066	211716H	1126	7,290	6

* Completing Kits that end in D, D1, D2 or D3 contain mounting kit, Woods Hydraulic Package (2-spool direct control valve and hose kit) and grill guard, if available.
 Completing Kits that end in C1 contain mounting kit, Woods Hydraulic Package (2-spool cable control valve and hose kit) and grill guard, if available.
 Completing Kits that end in H, H1 or H2 contain mounting kit, 4-hose kit (to connect loader to OEM remote valve) and grill guard, if available.

Unless noted, each "Loader Complete" STANDARD configuration includes loader, bucket, and completing kit (mount, hydraulics and grill guard, if grill guard is available). Any deviation from standard configuration will require ordering components individually.

Quick Order Section – Loader Model LC102 (Continued)

Tractor Brand / Model	Loader Pkg. Type	Fits Tractor Type				Loader Frame Color	Quick Order Part Numbers					Ship Wt. (lbs.)	Suggested List Price	Tractor Notes	
		2WD	4WD	ROPS	CAB		LC102 Loader Frame	Bucket Width (in.)	Pin-On Bucket	Quick Attach. Coupler	QA Bucket				Completing Kit *
JOHN DEERE® (Continued)															
4120/4320/4520/4720	Pin-on	X	X	X		Green	2210221	66	2260066			211713H1	1070	\$ 6,218	6
4120/4320/4520/4720	QA	X	X	X		Green	2210221	66		2350000	2270066	211713H1	1139	6,869	6
4200/4300/4400	Pin-on	X	X	X		Green	2210221	66	2260066			111754H	1048	6,571	6
4200/4300/4400	QA	X	X	X		Green	2210221	66		2350000	2270066	111754H	1117	7,222	6
4210/4310/4410	Pin-on	X	X	X		Green	2210221	66	2260066			111776H	1066	6,428	6
4210/4310/4410	QA	X	X	X		Green	2210221	66		2350000	2270066	111776H	1135	7,079	6
4500/4510/4600/4610/4700/4710	Pin-on	X	X	X		Green	2210221	66	2260066			111753H1	1064	6,639	6
4500/4510/4600/4610/4700/4710	QA	X	X	X		Green	2210221	66		2350000	2270066	111753H1	1133	7,290	6
KIOTI®															
CK25/CK30/CK35	Pin-on		X	X		Orange	2210224	66	2260066			111781H	1070	6,572	13
CK25/CK30/CK35	QA		X	X		Orange	2210224	66		2350000	2270066	111781H	1139	7,223	13
DK35 (SN 261400101 & Prior)	Pin-on	X	X	X		Orange	2210224	66	2260066			111767D1	1226	7,874	
DK35 (SN 261400101 & Prior)	QA	X	X	X		Orange	2210224	66		2350000	2270066	111767D1	1295	8,525	
DK35 (SN 261400102 & Later)	Pin-on		X	X		Orange	2210224	66	2260066			111783D1	1246	7,731	
DK35 (SN 261400102 & Later)	QA		X	X		Orange	2210224	66		2350000	2270066	111783D1	1315	8,382	
DK35SE	Pin-on		X	X		Orange	2210224	66	2260066			2200009H	1137	7,438	18
DK35SE	QA		X	X		Orange	2210224	66		2350000	2270066	2200009H	1206	8,089	18
DK40 (SN 161400200 & Prior)	Pin-on	X	X	X		Orange	2210224	66	2260066			111768D1	1145	7,594	
DK40 (SN 161400200 & Prior)	QA	X	X	X		Orange	2210224	66		2350000	2270066	111768D1	1214	8,245	
DK40 (SN 161400201 & Later)	Pin-on	X	X	X		Orange	2210224	66	2260066			111775D1	1106	7,452	
DK40 (SN 161400201 & Later)	QA	X	X	X		Orange	2210224	66		2350000	2270066	111775D1	1175	8,103	
DK40SE/DK45SE/DK50SE	Pin-on		X	X	X	Orange	2210224	66	2260066			2200037H	TBD	6,718	21
DK40SE/DK45SE/DK50SE	QA		X	X	X	Orange	2210224	66		2350000	2270066	2200037H	TBD	7,369	21
DK45/DK50 (SN 256700000 & Prior)	Pin-on	X	X	X		Orange	2210224	66	2260066			111765D1	1194	7,733	
DK45/DK50 (SN 256700000 & Prior)	QA	X	X	X		Orange	2210224	66		2350000	2270066	111765D1	1263	8,384	
DK45/DK50 (SN 256700001 & Later)	Pin-on	X	X	X		Orange	2210224	66	2260066			111774D1	1183	7,520	
DK45/DK50 (SN 256700001 & Later)	QA	X	X	X		Orange	2210224	66		2350000	2270066	111774D1	1252	8,171	
DK45/DK50 (SN 256700000 & Prior)	Pin-on	X	X		X	Orange	2210224	66	2260066			111765C1	1189	8,082	
DK45/DK50 (SN 256700000 & Prior)	QA	X	X		X	Orange	2210224	66		2350000	2270066	111765C1	1258	8,733	
DK45/DK50 (SN 256700001 & Later)	Pin-on	X	X		X	Orange	2210224	66	2260066			111774C1	1182	7,835	
DK45/DK50 (SN 256700001 & Later)	QA	X	X		X	Orange	2210224	66		2350000	2270066	111774C1	1251	8,486	

* Completing Kits that end in D, D1, D2 or D3 contain mounting kit, Woods Hydraulic Package (2-spool direct control valve and hose kit) and grill guard, if available. Completing Kits that end in C1 contain mounting kit, Woods Hydraulic Package (2-spool cable control valve and hose kit) and grill guard, if available. Completing Kits that end in H, H1 or H2 contain mounting kit, 4-hose kit (to connect loader to OEM remote valve) and grill guard, if available.

Unless noted, each "Loader Complete" STANDARD configuration includes loader, bucket, and completing kit (mount, hydraulics and grill guard, if grill guard is available). Any deviation from standard configuration will require ordering components individually.

Quick Order Section – Loader Model LC102 (Continued)

Tractor Brand / Model	Loader Pkg. Type	Fits Tractor Type				Loader Frame Color	Quick Order Part Numbers					Ship Wt. (lbs.)	Suggested List Price	Tractor Notes	
		2WD	4WD	ROPS	CAB		LC102 Loader Frame	Bucket Width (in.)	Pin-On Bucket	Quick Attach. Coupler	QA Bucket				Completing Kit *
KIOTI® (Continued)															
DK45S	Pin-on		X	X		Orange	2210224	66	2260066			211717H1	1116	\$ 6,710	14
DK45S	QA		X	X		Orange	2210224	66		2350000	2270066	211717H1	1185	7,361	14
LK2554/LK3054	Pin-on		X	X		Orange	2210224	66	2260066			111740D	1169	7,592	
LK2554/LK3054	QA		X	X		Orange	2210224	66		2350000	2270066	111740D	1238	8,243	
KUBOTA®															
L245/L295	Pin-on	X	X	X		Orange	2210224	66	2260066			111749D	1188	7,737	
L245/L295	QA	X	X	X		Orange	2210224	66		2350000	2270066	111749D	1257	8,388	
L2050/L2350	Pin-on	X	X	X		Orange	2210224	66	2260066			111762D	1219	7,839	5
L2050/L2350	QA	X	X	X		Orange	2210224	66		2350000	2270066	111762D	1288	8,490	5
L2250/L2550/L2850/L3250	Pin-on	X	X	X		Orange	2210224	66	2260066			111739D1	1212	7,731	
L2250/L2550/L2850/L3250	QA	X	X	X		Orange	2210224	66		2350000	2270066	111739D1	1281	8,382	
L2500/L2600	Pin-on	X	X	X		Orange	2210224	66	2260066			111762D	1219	7,839	
L2500/L2600	QA	X	X	X		Orange	2210224	66		2350000	2270066	111762D	1288	8,490	
L2650/L2950/L3450/L3650	Pin-on	X	X	X		Orange	2210224	66	2260066			111739D1	1212	7,731	
L2650/L2950/L3450/L3650	QA	X	X	X		Orange	2210224	66		2350000	2270066	111739D1	1281	8,382	
L2800/L3400/L2800 HST/L3400 HST	Pin-on	X	X	X		Orange	2210224	66	2260066			111780D	1150	7,088	11
L2800/L3400/L2800 HST/L3400 HST	QA	X	X	X		Orange	2210224	66		2350000	2270066	111780D	1219	7,739	11
L2900/L3300/L3600/L4200	Pin-on	X	X	X		Orange	2210224	66	2260066			111761D1	1234	8,085	8
L2900/L3300/L3600/L4200	QA	X	X	X		Orange	2210224	66		2350000	2270066	111761D1	1303	8,736	8
L2900/L3300/L3600/L4200	Pin-on	X	X		X	Orange	2210224	66	2260066			111761C1	1227	8,365	8
L2900/L3300/L3600/L4200	QA	X	X		X	Orange	2210224	66		2350000	2270066	111761C1	1296	9,016	8
L3000	Pin-on	X	X	X		Orange	2210224	66	2260066			111763D	1212	7,839	
L3000	QA	X	X	X		Orange	2210224	66		2350000	2270066	111763D	1281	8,490	
L3010/L3410/L3710/L4310	Pin-on	X	X	X		Orange	2210224	66	2260066			111761D1	1234	8,085	8, 10
L3010/L3410/L3710/L4310	QA	X	X	X		Orange	2210224	66		2350000	2270066	111761D1	1303	8,736	8, 10
L3010/L3410/L3710/L4310	Pin-on	X	X		X	Orange	2210224	66	2260066			111761C1	1227	8,365	8, 10
L3010/L3410/L3710/L4310	QA	X	X		X	Orange	2210224	66		2350000	2270066	111761C1	1296	9,016	8, 10
L3130/L3430/L3830	Pin-on	X	X	X		Orange	2210224	66	2260066			111771D1	1164	7,270	11
L3130/L3430/L3830	QA	X	X	X		Orange	2210224	66		2350000	2270066	111771D1	1233	7,921	11
L3200/L3800	Pin-on	X	X	X		Orange	2210224	66	2260066			111780D1	1000	7,103	
L3200/L3800	QA	X	X	X		Orange	2210224	66		2350000	2270066	111780D1	1089	7,754	
L3240/L3540	Pin-on	X	X	X	X	Orange	2210224	66	2260066			2200004H	1144	6,166	
L3240/L3540	QA	X	X	X	X	Orange	2210224	66		2350000	2270066	2200004H	1213	6,817	
L3430	Pin-on	X	X		X	Orange	2210224	66	2260066			111771C1	1169	7,904	
L3430	QA	X	X		X	Orange	2210224	66		2350000	2270066	111771C1	1238	8,555	

* Completing Kits that end in D, D1, D2 or D3 contain mounting kit, Woods Hydraulic Package (2-spool direct control valve and hose kit) and grill guard, if available.
 Completing Kits that end in C1 contain mounting kit, Woods Hydraulic Package (2-spool cable control valve and hose kit) and grill guard, if available.
 Completing Kits that end in H, H1 or H2 contain mounting kit, 4-hose kit (to connect loader to OEM remote valve) and grill guard, if available.

Unless noted, each "Loader Complete" STANDARD configuration includes loader, bucket, and completing kit (mount, hydraulics and grill guard, if grill guard is available). Any deviation from standard configuration will require ordering components individually.

Quick Order Section – Loader Model LC102 (Continued)

Tractor Brand / Model	Loader Pkg. Type	Fits Tractor Type				Loader Frame Color	Quick Order Part Numbers						Ship Wt. (lbs.)	Suggested List Price	Tractor Notes	
		2WD	4WD	ROPS	CAB		LC102 Loader Frame	Bucket Width (in.)	Pin-On Bucket	Quick Attach. Coupler	QA Bucket	Completing Kit *				
KUBOTA® (Continued)																
L3700SU	Pin-on	X	X	X		Orange	2210224	66	2260066			111780D1	1000	\$ 7,103		
L3700SU	QA	X	X	X		Orange	2210224	66		2350000	2270066	111780D1	1089	7,754		
L3940	Pin-on	X	X	X	X	Orange	2210224	66	2260066			2200004H2	1055	6,371		
L3940	QA	X	X	X	X	Orange	2210224	66		2350000	2270066	2200004H2	1128	7,022		
L4240/L4740	Pin-on		X	X	X	Orange	2210224	66	2260066			2200003H2	1179	6,567		
L4240/L4740	QA		X	X	X	Orange	2210224	66		2350000	2270066	2200003H2	1252	7,218		
L4300	Pin-on	X	X	X		Orange	2210224	66	2260066			111766D1	1203	7,802		
L4300	QA	X	X	X		Orange	2210224	66		2350000	2270066	111766D1	1272	8,453		
L4330/L4630/L5030	Pin-on	X	X	X		Orange	2210224	66	2260066			111772D1	1154	7,270	11	
L4330/L4630/L5030	QA	X	X	X		Orange	2210224	66		2350000	2270066	111772D1	1223	7,921	11	
L4330/L4630/L5030	Pin-on	X	X		X	Orange	2210224	66	2260066			111772C1	1159	7,904		
L4330/L4630/L5030	QA	X	X		X	Orange	2210224	66		2350000	2270066	111772C1	1228	8,555		
L4400	Pin-on	X	X	X		Orange	2210224	66	2260066			211711D1	1139	7,270	11	
L4400	QA	X	X	X		Orange	2210224	66		2350000	2270066	211711D1	1208	7,921	11	
L4600	Pin-on	X	X	X		Orange	2210224	66	2260066			211711D2	1131	7,285	11	
L4600	QA	X	X	X		Orange	2210224	66		2350000	2270066	211711D2	1204	7,936	11	
L4610	Pin-on	X	X		X	Orange	2210224	66	2260066			111769C1	1207	8,011		
L4610	QA	X	X		X	Orange	2210224	66		2350000	2270066	111769C1	1276	8,662		
L4610	Pin-on	X	X		X	Orange	2210224	66	2260066			111769C1	1207	8,011		
L4610	QA	X	X		X	Orange	2210224	66		2350000	2270066	111769C1	1276	8,662		
MX5000	Pin-on	X	X	X		Orange	2210224	66	2260066			111769D1	1214	7,731		
MX5000	QA	X	X	X		Orange	2210224	66		2350000	2270066	111769D1	1283	8,382		
LANDINI®																
1-40/1-50	Pin-on		X	X	X	Black	2210220	66	2260066			2200037H	TBD	6,718	21	
1-40/1-50	QA		X	X	X	Black	2210220	66		2350000	2270066	2200037H	TBD	7,369	21	
LONG®																
280DTC/360DTC	Pin-on	X	X	X		Black	2210220	66	2260066			111757D1	1232	7,944		
280DTC/360DTC	QA	X	X	X		Black	2210220	66		2350000	2270066	111757D1	1301	8,595		
MAHINDRA®																
2615/3015	Pin-on	X	X	X		Red	2210230	66	2260066			111730D	1205	7,463		
2615/3015	QA	X	X	X		Red	2210230	66		2350000	2270066	111730D	1274	8,114		
2810 HST/3510 HST	Pin-on		X	X		Red	2210230	66	2260066			111788D	1202	7,533		
2810 HST/3510 HST	QA		X	X		Red	2210230	66		2350000	2270066	111788D	1271	8,184		
2815/3215	Pin-on		X	X		Red	2210230	66	2260066			211718D	1092	7,616		
2815/3215	QA		X	X		Red	2210230	66		2350000	2270066	211718D	1161	8,267		
3510	Pin-on		X	X		Red	2210230	66	2260066			211715D1	1167	8,059		
3510	QA		X	X		Red	2210230	66		2350000	2270066	211715D1	1236	8,710		
3525	Pin-on	X		X		Red	2210230	66	2260066			111779D1	1109	7,733		
3525	QA	X		X		Red	2210230	66		2350000	2270066	111779D1	1178	8,384		
4110	Pin-on		X	X		Red	2210230	66	2260066			111784D1	1167	7,494		
4110	QA		X	X		Red	2210230	66		2350000	2270066	111784D1	1236	8,145		

* Completing Kits that end in D, D1, D2 or D3 contain mounting kit, Woods Hydraulic Package (2-spool direct control valve and hose kit) and grill guard, if available.
 Completing Kits that end in C1 contain mounting kit, Woods Hydraulic Package (2-spool cable control valve and hose kit) and grill guard, if available.
 Completing Kits that end in H, H1 or H2 contain mounting kit, 4-hose kit (to connect loader to OEM remote valve) and grill guard, if available.

Unless noted, each "Loader Complete" STANDARD configuration includes loader, bucket, and completing kit (mount, hydraulics and grill guard, if grill guard is available). Any deviation from standard configuration will require ordering components individually.

Quick Order Section – Loader Model LC102 (Continued)

Tractor Brand / Model	Loader Pkg. Type	Fits Tractor Type				Loader Frame Color	Quick Order Part Numbers					Ship Wt. (lbs.)	Suggested List Price	Tractor Notes	
		2WD	4WD	ROPS	CAB		LC102 Loader Frame	Bucket Width (in.)	Pin-On Bucket	Quick Attach. Coupler	QA Bucket				Completing Kit *
MASSEY FERGUSON®															
1125/1140/1145	Pin-on	X	X	X		Red	2210226	66	2260066			111741D	1167	\$ 7,735	
1125/1140/1145	QA	X	X	X		Red	2210226	66		2350000	2270066	111741D	1236	8,386	
1240	Pin-on	X	X	X		Red	2210226	66	2260066			111741D	1167	7,735	
1240	QA	X	X	X		Red	2210226	66		2350000	2270066	111741D	1236	8,386	
1250/1260 (Prior To SN "G")	Pin-on	X	X	X		Red	2210226	66	2260066			111741D	1167	7,735	
1250/1260 (Prior To SN "G")	QA	X	X	X		Red	2210226	66		2350000	2270066	111741D	1236	8,386	
1250/1260 (SN "G" & Later)	Pin-on	X	X	X		Red	2210226	66	2260066			111741D1	1171	7,614	
1250/1260 (SN "G" & Later)	QA	X	X	X		Red	2210226	66		2350000	2270066	111741D1	1240	8,265	
1429/1433/1433V/1440/1440V (Non-Hydrostat versions)	Pin-on	X	X	X		Red	2210226	66	2260066			111770D	1187	7,767	
1429/1433/1433V/1440/1440V (Non-Hydrostat versions)	QA	X	X	X		Red	2210226	66		2350000	2270066	111770D	1256	8,418	
1529/1532	Pin-on		X	X		Red	2210226	66	2260066			2200019D	1176	7,851	
1529/1532	QA		X	X		Red	2210226	66		2350000	2270066	2200019D	1249	8,502	
1533/1540	Pin-on		X	X		Red	2210226	66	2260066			111787D	1161	7,753	
1533/1540	QA		X	X		Red	2210226	66		2350000	2270066	111787D	1230	8,404	
1547/1552	Pin-on		X	X	X	Red	2210226	66	2260066			211714H1	1148	6,618	15
1547/1552	QA		X	X	X	Red	2210226	66		2350000	2270066	211714H1	1217	7,269	15
1635	Pin-on		X	X		Red	2210226	66	2260066			111787D	1151	7,753	
1635	QA		X	X		Red	2210226	66		2350000	2270066	111787D	1224	8,404	
McCORMICK®															
X10.40/X10.50	Pin-on		X	X	X	Red	2210231	66	2260066			2200037H	TBD	6,718	21
X10.40/X10.50	QA		X	X	X	Red	2210231	66		2350000	2270066	2200037H	TBD	7,369	21
MONTANA®															
2740/3240	Pin-on		X	X		Black	2210220	66	2260066			211720D	1085	7,827	
2740/3240	QA		X	X		Black	2210220	66		2350000	2270066	211720D	1154	8,478	
TYM®															
T330 HST	Pin-on		X	X		Black	2210220	66	2260066			111788D	1202	7,533	
T330 HST	QA		X	X		Black	2210220	66		2350000	2270066	111788D	1271	8,184	

* Completing Kits that end in D, D1, D2 or D3 contain mounting kit, Woods Hydraulic Package (2-spool direct control valve and hose kit) and grill guard, if available.
 Completing Kits that end in C1 contain mounting kit, Woods Hydraulic Package (2-spool cable control valve and hose kit) and grill guard, if available.
 Completing Kits that end in H, H1 or H2 contain mounting kit, 4-hose kit (to connect loader to OEM remote valve) and grill guard, if available.

Unless noted, Completing Kits include Mount Kit, Woods® Hydraulic Package (or 4-Hose Kit for tractor remotes) and Grill Guard.

Completing Kits – Loader Model LC102

Tractor Brand / Model	Fits Tractor Type				Completing Kit Part No. **	Mount Kit	Woods® Hydraulic Package		OR	4-Hose Kit Connects to OEM Valve or Remotes	Grill Guard	Ship Wt. (lbs.)	Suggested List Price	Notes
	2WD	4WD	ROPS	CAB			2-Spool Valve Kit	Hoses for Loader Valve						
AGCO®														
ST34A/ST41A		X	X		111787D	111787	1023509	1023604		N/A	1013288	409	\$ 2,944	
ST35 Hydro/ST40 Hydro	X	X	X		111777D	111777	1023509	1023605		N/A	58310	421	2,958	
ST35/ST35X/ST40/ST40X (All Non-Hydro Models)	X	X	X		111770D	111770	1023509	1023605		N/A	1006322	426	2,958	
ST47A/ST52A		X	X		211714H1	211714	N/A	N/A		1023606	1013288	388	1,809	15
BOBCAT®														
CT440/CT445/CT450		X	X	X	2200037H	2200037	N/A	N/A		1025739	1025236	TBD	1,909	21
BRANSON®														
2910/3510/3820/4220/4720		X	X		111789D1	111789	1023800	1023528		N/A	1013487	428	2,583	
2910i/3110i/3510i		X	X		2200017D	2200017	1023512	1030159		N/A	1013487	548	2,584	19
3510h/4720h		X	X		2200017D1	2200017	1023512	1029474		N/A	1013487	544	2,584	19
CASE IH®														
244/245/254/255	X	X	X		111750D	111750	1023509	1023607		N/A	N/A	316	2,678	
D25/DX25/D29/DX29/DX31/D33/DX33/DX34	X	X	X		2200014D	2200014	1023509	1023531		A	1022113	396	2,909	12
D25/DX25/D29/DX29/DX31/D33/DX33/DX34	X	X	X		2200014H	2200014	A	A		1023613	1022113	357	1,903	1, 12
D35/DX35/D40/DX40/D45/DX45	X	X	X		2200015D	2200015	1023509	1023529		A	1001044	402	2,929	
D35/DX35/D40/DX40/D45/DX45	X	X	X	X	2200015H	2200015	A	A		1023613	1001044	366	1,837	16
Farmall® 30B/35B	X	X	X		2200033H	2200033	N/A	N/A		1033412	1033415	395	1,681	20
Farmall 31/35	X	X	X		2200014D	2200014	1023509	1023531		A	1022113	396	2,909	12
Farmall 31/35	X	X	X		2200014H	2200014	A	A		1023613	1022113	357	1,903	1, 12
Farmall 40/45/50	X	X	X		2200015D	2200015	1023509	1023529		A	1001044	402	2,929	
Farmall 40/45/50	X	X	X	X	2200015H	2200015	A	A		1023613	1001044	366	1,837	16
Farmall 40B/50B	X	X	X		2200034H	2200034	N/A	N/A		1033412	1033425	TBD	1,681	20
CHALLENGER®														
MT265B/MT275B		X	X		111787D	111787	1023509	1023604		N/A	1013288	409	2,944	
MT285B/MT295B		X	X	X	211714H1	211714	N/A	N/A		1023606	1013288	388	1,809	15
CUB CADET®														
7260/7265/7300/7305	X	X	X		111730D	111730	1023509	1023610		N/A	w/mount	453	2,654	7, 9
7360	X	X	X		111732D	111732	1023509	1023609		N/A	52322	431	2,522	
7530/7532		X	X		211712D	211712	1023509	1023611		N/A	w/mount	350	2,667	7
8354		X	X		111783D1	111783	1023509	1023530		N/A	1003186	496	2,922	
8404		X	X		111775D1	111775	1023509	1023532		N/A	1002626	354	2,643	
8454		X	X		111774D1	111774	1023509	1023532		N/A	1002626	431	2,711	
EX2900/EX3200		X	X		2200016H	2200016	N/A	N/A		1028252	1026400	297	1,760	22
FORD® & NEW HOLLAND®														
1310/1510	X	X	X		111745D	111745	1023509	1023534		N/A	N/A	403	2,709	
1320/1520/1620/1715	X	X	X		111755D1	111755	1023509	1023535		N/A	1001550	408	2,818	12
1530/1630	X	X	X		111755D1	111755	1023509	1023535		A	1001550	408	2,818	1, 2, 12
1530/1630	X	X	X		111755H	111755	A	A		1023613	1001550	365	1,657	1, 2, 12
1700/1900/1900 TURF	X	X	X		111744D	111744	1023509	1023533		N/A	N/A	391	2,922	3

** Completing Kits that end in D, D1, D2 or D3 contain mounting kit, Woods Hydraulic Package (2-spool direct control valve and hose kit) and grill guard, if available. Completing Kits that end in C1 contain mounting kit, Woods Hydraulic Package (2-spool cable control valve and hose kit) and grill guard, if available. Completing Kits that end in H, H1 or H2 contain mounting kit, 4-hose kit (to connect loader to OEM remote valve) and grill guard, if available.
A = Available
N/A = Not Available

Unless noted, Completing Kits include Mount Kit, Woods® Hydraulic Package (or 4-Hose Kit for tractor remotes) and Grill Guard.

Completing Kits – Loader Model LC102 (Continued)

Tractor Brand / Model	Fits Tractor Type				Completing Kit Part No. **	Mount Kit	Woods® Hydraulic Package		OR	4-Hose Kit	Grill Guard	Ship Wt. (lbs.)	Suggested List Price	Notes
	2WD	4WD	ROPS	CAB			2-Spool Valve Kit	Hoses for Loader Valve		Connects to OEM Valve or Remotes				
FORD® & NEW HOLLAND® (Continued)														
1710	X	X	X		111745D	111745	1023509	1023534		N/A	N/A	403	\$ 2,709	
1720	X	X	X		111755D1	111755	1023509	1023535		N/A	1001550	408	2,818	
1725/1925	X	X	X		111755D1	111755	1023509	1023535		A	1001550	408	2,818	1, 12
1725/1925	X	X	X		111755H	111755	A	A		1023613	1001550	365	1,657	1, 12
1910/2110	X	X	X		111746D1	111746	1023509	1023534		N/A	N/A	301	2,641	
1920	X	X	X		111758D1	111758	1023509	1023529		N/A	46995	424	2,820	
2120	X	X	X		111735D1	111735	1023509	1023535		N/A	46775	398	2,992	
3415	X		X		111735D1	111735	1023509	1023535		N/A	46775	398	2,992	
Boomer 30/35	X	X	X		2200033H	2200033	N/A	N/A		1033412	1033415	395	1,681	20
Boomer 40/50	X	X	X		2200034H	2200034	N/A	N/A		1033412	1033425	TBD	1,681	20
Boomer 3040/3045/3050, 8N	X	X	X	X	2200015D	2200015	1023509	1023529		A	1001044	402	2,929	16
T1530	X	X	X		2200015D	2200015	1023509	1023529		A	1001044	402	2,929	
T2210/T2220 with or w/out Super Steer	X	X	X		2200014D	2200014	1023509	1023531		A	1022113	396	2,909	12
T2210/T2220 with or w/out Super Steer	X	X	X		2200014H	2200014	A	A		1023613	1022113	357	1,903	1, 12
T2310/T2320/T2330 with or without Super Steer	X	X	X		2200015D	2200015	1023509	1023529		A	1001044	402	2,929	
T2310/T2320/T2330 with or without Super Steer	X	X	X	X	2200015H	2200015	A	A		1023613	1001044	366	1,837	16
TC25/TC25D/TC29/TC29D/TC29DA/TC31DA/TC33/TC33D/TC33DA/TC34DA with or without Super Steer	X	X	X		2200014D	2200014	1023509	1023531		A	1022113	396	2,909	12
TC25/TC25D/TC29/TC29D/TC29DA/TC31DA/TC33/TC33D/TC33DA/TC34DA with or without Super Steer	X	X	X		2200014H	2200014	A	A		1023613	1022113	357	1,903	1, 12
TC30/T1510/T1520	X	X	X		2200013D	2200013	1023509	1022118		N/A	1022113	393	2,777	19
TC35/TC35A/TC35D/TC40/TC40A/TC40D/TC40DA/TC45/TC45A/TC45D/TC45DA with or without Super Steer	X	X	X		2200015D	2200015	1023509	1023529		A	1001044	402	2,929	
TC35/TC35A/TC35D/TC40/TC40A/TC40D/TC40DA/TC45/TC45A/TC45D/TC45DA with or without Super Steer	X	X	X	X	2200015H	2200015	A	A		1023613	1001044	366	1,837	16
JOHN DEERE®														
750	X	X	X		111752D	111752	1023509	1023614		N/A	N/A	373	2,780	
850 (SN 8999 & Prior)	X		X		111743D3	111743	1023509	1023540		N/A	N/A	378	2,850	
850 (SN 9000 & Later)	X		X		111743D2	111743	1023509	1023541		N/A	N/A	379	2,850	
870/970/1070 (Power Steering only)	X	X	X		111742D1	111742	1023509	1023542		A	40988	362	2,748	4
870/970/1070 (Power Steering only)	X	X	X		111742H1	111742	A	A		1023616	40988	317	1,656	4
950 (SN 11999 & Prior)	X	X	X		111743D3	111743	1023509	1023540		N/A	N/A	378	2,850	
950 (SN 12000 & Later)	X	X	X		111743D2	111743	1023509	1023541		N/A	N/A	379	2,850	
990	X	X	X		111742D1	111742	1023509	1023542		A	40988	362	2,748	4
990	X	X	X		111742H1	111742	A	A		1023616	40988	317	1,656	4
1050	X	X	X		111743D2	111743	1023509	1023541		N/A	N/A	379	2,850	
3120/3320/3520/3720		X	X		211716H	211716	N/A	N/A		1023628	1019012	305	1,830	6
3203		X	X		211716H	211716	N/A	N/A		1023628	1019012	305	1,830	6

** Completing Kits that end in D, D1, D2 or D3 contain mounting kit, Woods Hydraulic Package (2-spool direct control valve and hose kit) and grill guard, if available.

Completing Kits that end in C1 contain mounting kit, Woods Hydraulic Package (2-spool cable control valve and hose kit) and grill guard, if available.

Completing Kits that end in H, H1 or H2 contain mounting kit, 4-hose kit (to connect loader to OEM remote valve) and grill guard, if available.

A = Available

N/A = Not Available

Unless noted, Completing Kits include Mount Kit, Woods® Hydraulic Package (or 4-Hose Kit for tractor remotes) and Grill Guard.

Completing Kits – Loader Model LC102 (Continued)

Tractor Brand / Model	Fits Tractor Type				Completing Kit Part No. **	Mount Kit	Woods® Hydraulic Package		OR	4-Hose Kit Connects to OEM Valve or Remotes	Grill Guard	Ship Wt. (lbs.)	Suggested List Price	Notes
	2WD	4WD	ROPS	CAB			2-Spool Valve Kit	Hoses for Loader Valve						
JOHN DEERE® (Continued)														
4120/4320/4520/4720	X	X	X		211713H1	211713	N/A	N/A		1023615	1014864	318	\$ 1,409	6
4200/4300/4400	X	X	X		111754H	111754	N/A	N/A		1023615	59738	296	1,762	6
4210/4310/4410	X	X	X		111776H	111776	N/A	N/A		1023615	59738	314	1,619	6
4500/4510/4600/4610/4700/4710	X	X	X		111753H1	111753	N/A	N/A		1023615	59738	312	1,830	6
KIOTI®														
CK25/CK30/CK35		X	X		111781H	111781	N/A	N/A		1023617	1011419	318	1,763	13
DK35 (SN 261400101 & Prior)	X	X	X		111767D1	111767	1023509	1023544		N/A	1003186	474	3,065	
DK35 (SN 261400102 & Later)		X	X		111783D1	111783	1023509	1023530		N/A	1003186	496	2,922	
DK35SE		X	X		2200009H	2200009	N/A	N/A		1025739	1025236	385	2,629	18
DK40 (SN 161400200 & Prior)	X	X	X		111768D1	111768	1023509	1023544		N/A	1002626	393	2,785	
DK40 (SN 161400201 & Later)	X	X	X		111775D1	111775	1023509	1023532		N/A	1002626	354	2,643	
DK40SE/DK45SE/DK50SE		X	X	X	2200037H	2200037	N/A	N/A		1025739	1025236	TBD	1,909	21
DK45/DK50 (SN 256700000 & Prior)	X	X	X		111765D1	111765	1023509	1023544		N/A	1002626	442	2,924	
DK45/DK50 (SN 256700001 & Later)	X	X	X		111774D1	111774	1023509	1023532		N/A	1002626	431	2,711	
DK45/DK50 (SN 256700000 & Prior)	X	X		X	111765C1	111765	1023510	1023545		N/A	1002626	437	3,273	
DK45/DK50 (SN 256700001 & Later)	X	X		X	111774C1	111774	1023510	1023546		N/A	1002626	430	3,026	
DK45S		X	X		211717H1	211717	N/A	N/A		1023618	1016376	361	1,901	14
LK2554/LK3054		X	X		111740D	111740	1023509	1023619		N/A	58608	417	2,783	
KUBOTA®														
L245/L295	X	X	X		111749D	111749	1023509	1023548		N/A	N/A	436	2,928	
L2050/L2350	X	X	X		111762D	111762	1023509	1023620		N/A	1002615	467	3,030	5
L2250/L2550/L2850/L3250	X	X	X		111739D1	111739	1023509	1023549		N/A	1002615	457	2,922	
L2500/L2600	X	X	X		111762D	111762	1023509	1023620		N/A	1002615	467	3,030	
L2650/L2950/L3450/L3650	X	X	X		111739D1	111739	1023509	1023549		N/A	1002615	457	2,922	
L2800/L3400/L2800 HST/L3400 HST	X	X	X		111780D	111780	1023511	included w/valve		N/A	1006492	398	2,279	11
L2900/L3300/L3600/L4200	X	X	X		111761D1	111761	1023509	1023535		N/A	1002615	477	3,276	8
L2900/L3300/L3600/L4200	X	X		X	111761C1	111761	1023510	1023545		N/A	1002615	475	3,556	8
L3000	X	X	X		111763D	111763	1023509	1023620		N/A	1002615	460	3,030	
L3010/L3410/L3710/L4310	X	X	X		111761D1	111761	1023509	1023535		N/A	1002615	477	3,276	8, 10
L3010/L3410/L3710/L4310	X	X		X	111761C1	111761	1023510	1023545		N/A	1002615	475	3,556	8, 10
L3130/L3430/L3830	X	X	X		111771D1	111771	1023511	included w/valve		N/A	1006492	412	2,461	11
L3200/L3800	X	X	X		111780D1	111780	1023511	included w/valve		N/A	1033670	318	2,294	
L3240/L3540	X	X	X	X	2200004H	2200004	N/A	N/A		1023627	1006492	392	1,357	
L3430	X	X		X	111771C1	111771	1023510	1023550		N/A	1006492	417	3,095	
L3700SU	X	X	X		111780D1	111780	1023511	included w/valve		N/A	1033670	318	2,294	
L3940	X	X	X	X	2200004H2	2200004	N/A	N/A		1023996	1029450	309	1,562	
L4240/L4740		X	X	X	2200003H2	2200003	N/A	N/A		1023627	1029450	433	1,758	

** Completing Kits that end in D, D1, D2 or D3 contain mounting kit, Woods Hydraulic Package (2-spool direct control valve and hose kit) and grill guard, if available.
 Completing Kits that end in C1 contain mounting kit, Woods Hydraulic Package (2-spool cable control valve and hose kit) and grill guard, if available.
 Completing Kits that end in H, H1 or H2 contain mounting kit, 4-hose kit (to connect loader to OEM remote valve) and grill guard, if available.

A = Available
 N/A = Not Available

Unless noted, Completing Kits include Mount Kit, Woods® Hydraulic Package (or 4-Hose Kit for tractor remotes) and Grill Guard.

Completing Kits – Loader Model LC102 (Continued)

Tractor Brand / Model	Fits Tractor Type				Completing Kit Part No. **	Mount Kit	Woods® Hydraulic Package		OR	4-Hose Kit	Grill Guard	Ship Wt. (lbs.)	Suggested List Price	Notes
	2WD	4WD	ROPS	CAB			2-Spool Valve Kit	Hoses for Loader Valve		Connects to OEM Valve or Remotes				
KUBOTA® (Continued)														
L4300	X	X	X		111766D1	111766	1023509	1023535		N/A	1000754	451	\$ 2,993	
L4330/L4630/L5030	X	X	X		111772D1	111772	1023511	included w/valve		N/A	1006492	402	2,461	11
L4330/L4630/L5030	X	X		X	111772C1	111772	1023510	1023550		N/A	1006492	407	3,095	
L4400	X	X	X		211711D1	211711	1023511	included w/valve		N/A	1006492	387	2,461	11
L4600	X	X	X		211711D2	211711	1023511	included w/valve		N/A	1033670	385	2,476	11
L4610	X	X	X		111769D1	111769	1023509	1023535		N/A	1004610	457	2,922	
L4610	X	X		X	111769C1	111769	1023510	1023545		N/A	1004610	455	3,202	
MX5000	X	X	X		111769D1	111769	1023509	1023535		N/A	1004610	457	2,922	
LANDINI®														
1-40/1-50		X	X	X	2200037H	2200037	N/A	N/A		1025739	1025236	TBD	1,909	21
LONG®														
280DTC/360DTC	X	X	X		111757D1	111757	1023509	1023552		N/A	w/mount	480	3,135	
MAHINDRA®														
2615/3015	X	X	X		111730D	111730	1023509	1023610		N/A	w/mount	453	2,654	
2810 HST/3510 HST		X	X		111788D	111788	1023509	1023553		N/A	1007640	450	2,724	
2815/3215		X	X		211718D	211718	1023509	1023611		N/A	1021860	340	2,807	
3510		X	X		211715D1	211715	1023509	1023553		N/A	1011526	415	3,250	
3525	X		X		111779D1	111779	1023509	1013322		N/A	N/A	357	2,924	
4110		X	X		111784D1	111784	1023509	1023553		N/A	1011526	415	2,685	
MASSEY FERGUSON®														
1125/1140/1145	X	X	X		111741D	111741	1023509	1023622		N/A	58310	415	2,926	
1240	X	X	X		111741D	111741	1023509	1023622		N/A	58310	415	2,926	
1250/1260 (Prior to SN "G")	X	X	X		111741D	111741	1023509	1023622		N/A	58310	415	2,926	
1250/1260 (SN "G" & Later)	X	X	X		111741D1	111741	1023509	1023623		N/A	58310	419	2,805	
1429/1433/1433V/1440/1440V (Non-Hydrostat versions)	X	X	X		111770D	111770	1023509	1023624		N/A	1006322	426	2,958	
1529/1532		X	X		2200019D	2200019	1023509	1030185		N/A	1013288	430	3,042	
1533/1540		X	X		111787D	111787	1023509	1023604		N/A	1013288	409	2,944	
1547/1552		X	X	X	211714H1	211714	N/A	N/A		1023606	1013288	388	1,809	15
1635		X	X		111787D	111787	1023509	1023604		N/A	1013288	409	2,944	
McCORMICK®														
X10.40/X10.50		X	X	X	2200037H	2200037	N/A	N/A		1025739	1025236	TBD	1,909	21
MONTANA®														
2740/3240		X	X		211720D	211720	1023800	1023802		N/A	1021952	333	3,018	
TYM®														
T330 HST		X	X		111788D	111788	1023509	1023553		N/A	1007640	450	2,724	

** Completing Kits that end in D, D1, D2 or D3 contain mounting kit, Woods Hydraulic Package (2-spool direct control valve and hose kit) and grill guard, if available.

Completing Kits that end in C1 contain mounting kit, Woods Hydraulic Package (2-spool cable control valve and hose kit) and grill guard, if available.

Completing Kits that end in H, H1 or H2 contain mounting kit, 4-hose kit (to connect loader to OEM remote valve) and grill guard, if available.

A = Available

N/A = Not Available

Miscellaneous – Loader Model LC102

Part No.	Description	Shipping Wt. (lbs.)	Suggested List Price
1005093	Paint – Case of 12 Spray Cans – Red to match Case IH®	13	\$ 178.00
1005094	Paint – Case of 12 Spray Cans – Yellow to match Cub Cadet®	13	178.00
1005095	Paint – Case of 12 Spray Cans – Blue to match New Holland® Vibrant Blue	13	178.00
1005096	Paint – Case of 12 Spray Cans – Blue to match New Holland Ford® Blue	13	178.00
1005097	Paint – Case of 12 Spray Cans – Orange to match Kubota®	13	178.00
1005098	Paint – Case of 12 Spray Cans – Red to match Massey Ferguson®	13	178.00

COMPACT SERIES LOADERS – TRACTOR NOTES

SECTION 4

Tractor Notes – Loader Model LC102

1. Mount fits with OEM auxiliary valve – OEM auxiliary valve required Woods® hose kit 1023613.
2. Fits with Super Steer® front axle.
3. Hose kit 1023533 fits tractors with draft control only.
4. If tractor is equipped with John Deere® BM18010 rear quick coupler kit, use Woods hose kit 1023542. If tractor is equipped with John Deere Selective Control Valve (SCV), use Woods hose kit 1023616.
5. Tractor must have power steering to use hose kit.
6. Requires John Deere Selective Control Valve (SCV) and Woods hose kit to connect to tractor mid-remote couplers.
7. Grill guard included with mounting kit.
8. Will not fit 3-cylinder tractors with 29 x 12.5 x 15 turf tires.
9. Fits with Woods mower models C360 & C372.
10. L3010 and L3410 only – fits with Kubota mid-mount mower model RC72-29A.
11. 2-function valve kit 1023511 includes all hoses and fittings to connect to tractor hydraulic system.
12. Requires reinforcement kit 1004750 to fit OEM mower model 914A. Reinforcement kit is NOT compatible with Super Steer front axle.
13. Hose kit 1023617 required to connect loader to OEM loader valve supplied with tractor.
14. Hose kit 1023618 required to connect loader to OEM loader valve supplied with tractor.
15. Tractor must be equipped with OEM loader valve and quick couplers. Order hose kit 1023606 to connect.
16. Tractors with Cab must be equipped with OEM loader valve and mid-remote quick couplers. Order hose kit 1023613 to connect.
17. Tractor must be equipped with Kioti mid-remote cable valve and couplers to use hose kit 1025236.
18. Weight box 1006124 is recommended for tractor stability.
19. Hose kit 1029474 is used on Branson® “h” (hydro) series tractors; hose kit 1030159 is used on Branson “i” (gear) series tractors.
20. Tractor must be equipped with OEM loader valve and mid-remote quick couplers. Order hose kit 1033412 to connect.
21. Hose kit connects to OEM loader valve supplied with tractor.
22. Tractor must be equipped with OEM loader valve and mid-remote quick couplers.

LC102 Features and Specifications

FEATURES:

Curved loader boom
Midmount loader boom attachment
Fast D-Tach loader
Parking stands – stored in loader boom cross tube
Bucket rod level indicator
4-bar bucket linkage
Manual tube on the loader boom cross tube
Optional Quick Attachment Coupler System
Construction bucket
2-year warranty

SPECIFICATIONS:

Fits 20 – 35 hp tractors (2WD & FWA)	Breakout at 19.7 inches ahead of bucket pivot pins: 2250 lbs.
Lift height: 102 inches	Maximum digging depth: 4 inches
Lift cylinders: 1.97 inches; Bucket cylinders: 1.97 inches	Dump angle: 50 degrees
Lift capacity at bucket pins: 1650 lbs.	Roll back angle: 35 degrees
Lift capacity at 19.7 inches ahead of bucket pivot pins: 1200 lbs.	Reach: 30 inches
Breakout at bucket pins: 2950 lbs.	Pivot pins diameter: 1.00 and 1.25 inches

To Order a Complete Loader by Ordering Individual Components

- Find the tractor brand and model you are attempting to fit in the **Tractor/Loader Adaptability Chart**.
- Select the loader model you wish to price (each model belongs to a Loader Series, i.e., Compact Series).
- Go to the appropriate Loader Model **Component Order** tab.
- Find the tractor brand / model you are fitting in the **Tractor Reference** section – part numbers needed to configure a loader are listed (except loader frame and bucket).
- Order loader frame.
- Order front-end attachment(s).
- Order mounting kit.
- Order valve kit.
- Order hose kit OR 4-hose kit to connect to OEM remote valve.
- Order grill guard.

Be sure to refer to the “Notes” column; Tractor Notes are found at the end of each tabbed section in the Loader price pages. Prices for each component are listed in the appropriate component section. If you have any questions, please contact Woods® Dealer Services.

EXAMPLE:

When ordering a loader to fit a Kubota® tractor, model L3430 ROPS, do the following:

1. The Kubota L3430 ROPS tractor is fit by three Woods loader models: LC96, LC102 and LC108. (Reference Tractor/Loader Adaptability Chart.) We are selecting the LC102 model.
2. Flip to the LC102 **Components** tab and go to the Tractor Reference Chart for components to order to complete the LC102 Loader.
 - a. **Section 1** – Order the loader frame #2210224 (Orange to match Kubota).
 - b. **Section 2** – Order the bucket #2260066 (66” pin attachment bucket).
Note: If selecting a quick change system, order Quick Attachment Coupler System and buckets compatible with the Quick Attachment Coupler System. Other front end attachments may be ordered within this section.
 - c. **Section 3** – Order the mounting kit #111771.
 - d. **Section 4** – Order the valve kit #1023511.
 - e. **Section 5** – Order the hose kit # (included with valve) OR the 4-hose kit # (N/A).
 - f. **Section 6** – Order grill guard #1006492.

COMPACT SERIES LOADERS – MODEL LC102 TRACTOR REFERENCE CHART

Tractor Brand / Model	Fits Tractor Type				Mount Kit	Hydraulic Package		OR	4-Hose Kit	Grill Guard	OEM Mid-Mower Compat.	Tractor Notes
	2WD	4WD	ROPS	CAB		2-Spool Valve Kit	Hoses for Loader Valve		Connects to OEM Valve			
AGCO®												
ST34A/ST41A		X	X		111787	1023509	1023604		N/A	1013288	SM72A	
ST35 Hydro, ST40 Hydro	X	X	X		111777	1023509	1023605		N/A	58310	SM72A	
ST35/ST35X/ST40/ST40X (All Non-Hydro Models)	X	X	X		111770	1023509	1023605		N/A	1006322	SM72A	
ST47A/ST52A		X	X		211714	N/A	N/A		1023606	1013288		15
BOBCAT®												
CT440/CT445/CT450		X	X	X	2200037	N/A	N/A		1025739	1025236		21
BRANSON®												
2910/3510/3820/4220/4720		X	X		111789	1023800	1023528		N/A	1013487		
2910i/3110i/3510i		X	X		2200017	1023512	1030159		N/A	1013487		19
3510h/4720h		X	X		2200017	1023512	1029474		N/A	1013487		19
CASE IH®												
244/245/254/255	X	X	X		111750	1023509	1023607		N/A	N/A		
D25/DX25/D29/DX29/DX31/D33/DX33/DX34	X	X	X		2200014	1023509	1023531		1023613	1022113		1, 12
D35/DX35/D40/DX40/D45/DX45	X	X	X	X	2200015	1023509	1023529		1023613	1001044		16
Farmall® 30B/35B	X	X	X		2200033	N/A	N/A		1033412	1033415		20
Farmall 31/35	X	X	X		2200014	1023509	1023531		1023613	1022113		1, 12
Farmall 40/45/50	X	X	X	X	2200015	1023509	1023529		1023613	1001044		16
Farmall 40B/50B	X	X	X		2200034	N/A	N/A		1033412	1033425		20
CHALLENGER®												
MT265B/MT275B		X	X		111787	1023509	1023604			1013288	72"	
MT285B/MT295B		X	X	X	211714	N/A	N/A		1023606	1013288		15
CUB CADET®												
7260/7265/7300/7305	X	X	X		111730	1023509	1023610		N/A	w/mount	401/404	7, 9
7360	X	X	X		111732	1023509	1023609		N/A	52322		
7530/7532		X	X		211712	1023509	1023611		N/A	w/mount		7
8354		X	X		111783	1023509	1023530		N/A	1003186		
8404		X	X		111775	1023509	1023532		N/A	1002626		
8454		X	X		111774	1023509	1023532		N/A	1002626		
EX2900/EX3200		X	X		2200016	N/A	N/A		1028252	1026400		22
FORD® & NEW HOLLAND®												
1310/1510	X	X	X		111745	1023509	1023534		N/A	N/A		
1320/1520/1620/1715	X	X	X		111755	1023509	1023535		N/A	1001550	914A	12
1530/1630	X	X	X		111755	1023509	1023535		1023613	1001550		1, 2, 12
1700/1900/1900 TURF	X	X	X		111744	1023509	1023533		N/A	N/A		3
1710	X	X	X		111745	1023509	1023534		N/A	N/A		
1720	X	X	X		111755	1023509	1023535		N/A	1001550		
1725/1925	X	X	X		111755	1023509	1023535		1023613	1001550		1, 12
1910/2110	X	X	X		111746	1023509	1023534		N/A	N/A		
1920	X	X	X		111758	1023509	1023529		N/A	46995		
2120	X	X	X		111735	1023509	1023535		N/A	46775		
3415	X		X		111735	1023509	1023535		N/A	46775		
Boomer 30/35	X	X	X		2200033	N/A	N/A		1033412	1033415		20
Boomer 40/50	X	X	X		2200034	N/A	N/A		1033412	1033425		20
Boomer 3040/3045/3050, 8N	X	X	X	X	2200015	1023509	1023529		1023613	1001044		16
T1530	X	X	X		2200015	1023509	1023529		1023613	1001044		
T2210/T2220 with or without Super Steer	X	X	X		2200014	1023509	1023531		1023613	1022113		1, 12

Tractor Reference Chart continued on next page.

Note: If listed, 4-hose kit for use with tractor remotes may be ordered instead of Woods valve and hose kit for loader valve.

N/A = Not Available

COMPACT SERIES LOADERS – MODEL LC102 TRACTOR REFERENCE CHART (Continued)

Tractor Brand / Model	Fits Tractor Type				Mount Kit	Hydraulic Package		OR	4-Hose Kit	Grill Guard	OEM Mid-Mower Compat.	Tractor Notes
	2WD	4WD	ROPS	CAB		2-Spool Valve Kit	Hoses for Loader Valve		Connects to OEM Valve			
FORD® & NEW HOLLAND® (Continued)												
T2310/T2320/T2330 with or without Super Steer	X	X	X	X	2200015	1023509	1023529		1023613	1001044		16
TC25/TC25D/TC29/TC29D/TC29DA/TC31DA/TC33/TC33D/TC33DA/TC34DA with or without Super Steer	X	X	X		2200014	1023509	1023531		1023613	1022113		1, 12
TC30/T1510/T1520	X	X	X		2200013	1023509	1022118		N/A	1022113		18
TC35/TC35A/TC35D/TC40/TC40A/TC40D/TC40DA/TC45/TC45A/TC45D/TC45DA with or without Super Steer	X	X	X	X	2200015	1023509	1023529		1023613	1001044		16
JOHN DEERE®												
750	X	X	X		111752	1023509	1023614		N/A	N/A		
850 (SN 8999 & Prior)	X		X		111743	1023509	1023540		N/A	N/A		
850 (SN 9000 & Later)	X		X		111743	1023509	1023541		N/A	N/A		
870/970/1070 (Power Steering only)	X	X	X		111742	1023509	1023542		1023616	40988		4
950 (SN 11999 & Prior)	X	X	X		111743	1023509	1023540		N/A	N/A		
950 (SN 12000 & Later)	X	X	X		111743	1023509	1023541		N/A	N/A		
990	X	X	X		111742	1023509	1023542		1023616	40988		4
1050	X	X	X		111743	1023509	1023541		N/A	N/A		
3120/3320/3520/3720		X	X		211716	N/A	N/A		1023628	1019012		6
3203		X	X		211716	N/A	N/A		1023628	1019012		6
4120/4320/4520/4720	X	X	X		211713	N/A	N/A		1023615	1014864		6
4200/4300/4400	X	X	X		111754	N/A	N/A		1023615	59738		6
4210/4310/4410	X	X	X		111776	N/A	N/A		1023615	59738		6
4500/4510/4600/4610/4700/4710	X	X	X		111753	N/A	N/A		1023615	59738		6
KIOTI®												
CK25/CK30/CK35		X	X		111781	N/A	N/A		1023617	1011419		13
DK35 (SN 261400101 & Prior)	X	X	X		111767	1023509	1023544		N/A	1003186		
DK35 (SN 261400102 & Later)		X	X		111783	1023509	1023530		N/A	1003186		
DK35SE		X	X		2200009	N/A	N/A		1025739	1025236		17
DK40 (SN 161400200 & Prior)	X	X	X		111768	1023509	1023544		N/A	1002626		
DK40 (SN 161400201 & Later)	X	X	X		111775	1023509	1023532		N/A	1002626		
DK40SE/DK45SE/DK50SE		X	X	X	2200037	N/A	N/A		1025739	1025236		21
DK45/DK50 (SN 256700000 & Prior)	X	X	X		111765	1023509	1023544		N/A	1002626		
DK45/DK50 (SN 256700001 & Later)	X	X	X		111774	1023509	1023532		N/A	1002626		
DK45/DK50 (SN 256700000 & Prior)	X	X		X	111765	1023510	1023545		N/A	1002626		
DK45/DK50 (SN 256700001 & Later)	X	X		X	111774	1023510	1023546		N/A	1002626		
DK45S		X	X		211717	N/A	N/A		1023618	1016376		14
LK2554/LK3054		X	X		111740	1023509	1023619		N/A	58608		
KUBOTA®												
L245/L295	X	X	X		111749	1023509	1023548		N/A	N/A		
L2050/L2350	X	X	X		111762	1023509	1023620		N/A	1002615		5
L2250/L2550/L2850/L3250	X	X	X		111739	1023509	1023549		N/A	1002615		
L2500/L2600	X	X	X		111762	1023509	1023620		N/A	1002615		
L2650/L2950/L3450/L3650	X	X	X		111739	1023509	1023549		N/A	1002615		
L2800/L3400/L2800 HST/L3400 HST	X	X	X		111780	1023511	included w/valve		N/A	1006492		11
L2900/L3300/L3600/L4200	X	X	X		111761	1023509	1023535		N/A	1002615		8
L2900/L3300/L3600/L4200	X	X		X	111761	1023510	1023545		N/A	1002615		8

Tractor Reference Chart continued on next page.

Note: If listed, 4-hose kit for use with tractor remotes may be ordered instead of Woods valve and hose kit for loader valve.

N/A = Not Available

COMPACT SERIES LOADERS – MODEL LC102 TRACTOR REFERENCE CHART (Continued)

Tractor Brand / Model	Fits Tractor Type				Mount Kit	Hydraulic Package		OR	4-Hose Kit	Grill Guard	OEM Mid-Mower Compat.	Tractor Notes
	2WD	4WD	ROPS	CAB		2-Spool Valve Kit	Hoses for Loader Valve		Connects to OEM Valve			
KUBOTA® (Continued)												
L3000	X	X	X		111763	1023509	1023620		N/A	1002615		
L3010/L3410/L3710/L4310	X	X	X		111761	1023509	1023535		N/A	1002615	RC72-29A	8, 10
L3010/L3410/L3710/L4310	X	X		X	111761	1023510	1023545		N/A	1002615	RC72-29A	8, 10
L3130/L3430/L3830	X	X	X		111771	1023511	included w/valve		N/A	1006492		11
L3200/L3800	X	X	X		111780	1023511	included w/valve		N/A	1033670		
L3240/L3540	X	X	X	X	2200004	N/A	N/A		1023627	1006492	RC72-38	
L3430	X	X		X	111771	1023510	1023550		N/A	1006492		
L3700SU	X	X	X		111780	1023511	included w/valve		N/A	1033670		
L3940	X	X	X	X	2200004	N/A	N/A		1023996	1029450	RC72-38	
L4240/L4740		X	X	X	2200003	N/A	N/A		1023627	1029450		
L4300	X	X	X		111766	1023509	1023535		N/A	1000754		
L4330/L4630/L5030	X	X	X		111772	1023511	included w/valve		N/A	1006492		11
L4330/L4630/L5030	X	X		X	111772	1023510	1023550		N/A	1006492		
L4400	X	X	X		211711	1023511	included w/valve		N/A	1006492		11
L4600	X	X	X		211711	1023511	included w/valve		N/A	1033670		11
L4610	X	X	X		111769	1023509	1023535		N/A	1004610		
L4610	X	X		X	111769	1023510	1023545		N/A	1004610		
MX5000	X	X	X		111769	1023509	1023535		N/A	1004610		
LANDINI®												
1-40/1-50		X	X	X	2200037	N/A	N/A		1025739	1025236		21
LONG®												
280DTC/360DTC	X	X	X		111757	1023509	1023552		N/A	w/mount		
MAHINDRA®												
2615/3015	X	X	X		111730	1023509	1023610		N/A	w/mount		
2810 HST/3510 HST		X	X		111788	1023509	1023553		N/A	1007640	MM2872	
2815/3215		X	X		211718	1023509	1023611		N/A	1021860	WMM1572	
3510		X	X		211715	1023509	1023553		N/A	1011526		
3525	X		X		111779	1023509	1013322		N/A	N/A		
4110		X	X		111784	1023509	1023553		N/A	1011526		
MASSEY FERGUSON®												
1125/1140/1145	X	X	X		111741	1023509	1023622		N/A	58310		
1240	X	X	X		111741	1023509	1023622		N/A	58310		
1250/1260 (Prior TO SN "G")	X	X	X		111741	1023509	1023622		N/A	58310		
1250/1260 (SN "G" & Later)	X	X	X		111741	1023509	1023623		N/A	58310		
1429/1433/1433V/1440/1440V (Non-Hydrostat versions)	X	X	X		111770	1023509	1023624		N/A	1006322		
1529/1532		X	X		2200019	1023509	1030185		N/A	1013288		
1533/1540		X	X		111787	1023509	1023604		N/A	1013288		
1547/1552		X	X	X	211714	N/A	N/A		1023606	1013288		15
1635		X	X		111787	1023509	1023604		N/A	1013288		
MCCORMICK®												
X10.40/X10.50		X	X	X	2200037	N/A	N/A		1025739	1025236		21
MONTANA®												
2740/3240		X	X		211720	1023800	1023802		N/A	1021952		
TYM®												
T330 HST		X	X		111788	1023509	1023553		N/A	1007640		

Note: If listed, 4-hose kit for use with tractor remotes may be ordered instead of Woods valve and hose kit for loader valve.

N/A = Not Available

Frames – Loader Model LC102

Part No.	Description	Shipping Wt. (lbs.)	Suggested List Price
2210220	Black (Universal)	477	\$ 3,789.00
2210221	Green to match John Deere®	477	3,789.00
2210222	Red to match Case IH®	477	3,789.00
2210223	Blue to match Ford® & New Holland®	477	3,789.00
2210224	Orange to match Kubota®	477	3,789.00
2210225	Miscellaneous Color (Contact Dealer Service for Price and Availability)	477	3,789.00
2210226	Red to match Massey Ferguson®	477	3,789.00
2210227	Vibrant Blue to match New Holland	477	3,789.00
2210228	Yellow to match Cub Cadet®	477	3,789.00
2210229	Red to match Branson®	477	3,789.00
2210230	Red to match Mahindra®	477	3,789.00
2210231	Red to match McCormick®	477	3,789.00

COMPACT SERIES LOADERS – BUCKETS & FRONT-END ATTACHMENTS

SECTION 2

Buckets & Front End Attachments – Loader Model LC102

STANDARD BUCKETS – PIN ATTACHMENT – Or choose Quick Attachment Coupler in sections below

Part No.	Width (in.)	Description	Capacity	Shipping Wt. (lbs.)	Suggested List Price	Qty. of 5 List Price *
2260066	66	Heavy-Duty Loader Bucket – Pin Attachment	12.8 cu. ft.	269	\$ 1,020.00	—

OPTIONAL QUICK ATTACHMENT COUPLER SYSTEM – Order in place of Standard Buckets above

2350000		Quick Attachment Coupler Assembly		84	\$ 651.00	—
---------	--	-----------------------------------	--	----	-----------	---

OPTIONAL BUCKETS – Compatible with Quick Attachment Coupler System

2270060	60	Heavy-Duty Loader Bucket – Quick Attachment Coupler System	11.6 cu. ft.	239	\$ 950.00	—
2270066	66	Heavy-Duty Loader Bucket – Quick Attachment Coupler System	12.8 cu. ft.	258	1,020.00	—
2270072	72	Heavy-Duty Loader Bucket – Quick Attachment Coupler System	14.0 cu. ft.	274	1,092.00	—

Note: Loader buckets are punched for optional Bolt-on Cutting Edges.

OPTIONAL BOLT-ON EDGES AND TINE KITS

46382	60	Bolt-On Edge for 60" Buckets, includes hardware		46	\$ 142.00	—
46383	66	Bolt-On Edge for 66" Buckets, includes hardware		50	163.00	—
46384	72	Bolt-On Edge for 72" Buckets, includes hardware		55	186.00	—
CETB595	59.25	Toothbar for 60" Buckets, includes hardware		59	466.00	—
CETB655	65.25	Toothbar for 66" Buckets, includes hardware		64	499.00	—
46380		Tine Kit for 60", 66" Buckets, includes hardware (Must drill holes in bucket)		33	142.00	—

SKID STEER ATTACHMENTS – Compatible with Quick Attachment Coupler System

52756	60	MF6000 – 60" Manure Fork		349	\$ 2,070.00	—
52753	50	GF3000 – Grapple Attachment for Manure Forks		260	2,209.00	—
1037170		BS3044S – Single Bale Spear w/2 Stabilizer Spikes – Skid Steer Quick Attach	3000 lbs.	198	690.00	\$ 621.00
1037171		BS6044S – Double Bale Spear – Skid Steer Quick Attach	6000 lbs.	231	840.00	756.00
1022532		PF2042S – Pallet Fork with 42" Pivoting Tines	2000 lbs.	280	1,013.00	912.00
1038172		PF4436S – Pallet Fork with 36" Lockdown Tines	4400 lbs.	394	1,079.00	971.00
1038173		PF4442S – Pallet Fork with 42" Lockdown Tines	4400 lbs.	409	1,110.00	999.00
1038174		PF4448S – Pallet Fork with 48" Lockdown Tines	4400 lbs.	428	1,129.00	1,016.00

* Order 5 units in any combination of bale spears or any combination of pallet forks to receive an additional 10% discount.

OPTIONAL WEIGHT BOX FOR THREE-POINT HITCH

1006124		Weight Box for Rear Ballast – Fits Category 1, 3-Point Hitch	6.0 cu. ft.	113	\$ 473.00	—
---------	--	--	-------------	-----	-----------	---

Mounting Kits – Loader Model LC102

Mount Kit Part No.	Tractor Brand / Model	Fits Tractor Type				Ship Wt. (lbs.)	Suggested List Price
		2WD	4WD	ROPS	CAB		
AGCO®							
111787	ST34A/ST41A		X	X		310	\$ 1,406.00
111777	ST35 Hydro, ST40 Hydro	X	X	X		328	1,406.00
111770	ST35/ST35X/ST40/ST45X (All Non-Hydro Models)	X	X	X		344	1,406.00
211714	ST47A/ST52A		X	X		334	1,406.00
BOBCAT®							
2200037	CT440/CT445/CT450		X	X	X	288	1,267.00
BRANSON®							
111789	2910/3510/3820/4220/4720		X	X		325	1,020.00
2200017	2910i/3110i/3510i		X	X		461	1,066.00
2200017	3510h/4720h		X	X		461	1,066.00
CASE IH®							
111750	244/245/254/255	X	X	X		250	1,267.00
2200014	D25/DX25/D29/DX29/DX31/D33/DX33/DX34	X	X	X		327	1,482.00
2200015	D35/DX35/D40/DX40/D45/DX45	X	X	X	X	351	1,482.00
2200033	Farmall® 30B/35B	X	X	X		350	1,335.00
2200014	Farmall 31/35	X	X	X		327	1,482.00
2200015	Farmall 40/45/50	X	X	X	X	351	1,482.00
2200034	Farmall 40B/50B	X	X	X		327	1,335.00
CHALLENGER®							
111787	MT265B/MT275B		X	X		310	1,406.00
211714	MT285B/MT295B		X	X	X	334	1,406.00
CUB CADET®							
111730	7260/7265/7300/7305	X	X	X		402	1,280.00
111732	7360	X	X	X		337	1,113.00
211712	7530/7532		X	X		301	1,406.00
111783	8354		X	X		387	1,335.00
111775	8404		X	X		250	1,056.00
111774	8454		X	X		327	1,124.00
2200016	EX2900/EX3200		X	X		264	1,267.00
FORD® & NEW HOLLAND®							
111745	1310/1510	X	X	X		350	1,335.00
111755	1320/1520/1620/1715	X	X	X		332	1,335.00
111755	1530/1630	X	X	X		332	1,335.00
111744	1700/1900/1900 TURF	X	X	X		335	1,476.00
111745	1710	X	X	X		350	1,335.00
111755	1720	X	X	X		332	1,335.00
111755	1725/1925	X	X	X		332	1,335.00
111746	1910/2110	X	X	X		248	1,267.00
111758	1920	X	X	X		343	1,406.00
111735	2120	X	X	X		321	1,476.00
111735	3415	X		X		321	1,476.00
2200033	Boomer 30/35	X	X	X		350	1,335.00
2200034	Boomer 40/50	X	X	X		327	1,335.00
2200015	Boomer 3040/3045/3050, 8N	X	X	X	X	351	1,482.00
2200015	T1530	X	X	X		351	1,482.00

Mount Kit Part No.	Tractor Brand / Model	Fits Tractor Type				Ship Wt. (lbs.)	Suggested List Price
		2WD	4WD	ROPS	CAB		
FORD & NEW HOLLAND (Continued)							
2200014	T2210/T2220 with or without Super Steer	X	X	X		327	\$ 1,482.00
2200015	T2310/T2320/T2330 with or without Super Steer	X	X	X	X	351	1,482.00
2200014	TC25/TC25D/TC29/TC29D/TC29DA/TC30/TC31DA/TC33/TC33D/TC33DA/TC34DA with or without Super Steer	X	X	X		327	1,482.00
2200013	TC30/T1510/T1520	X	X	X		316	1,335.00
2200015	TC35/TC35A/TC35D/TC40/TC40A/TC40D/TC40DA/TC45/TC45A/TC45D/TC45DA with or without Super Steer	X	X	X	X	351	1,482.00
JOHN DEERE							
111752	750	X	X	X		320	1,406.00
111743	850 (SN 8999 & Prior)	X		X		324	1,476.00
111743	850 (SN 9000 & Later)	X		X		324	1,476.00
111742	870/970/1070 (with Power Steering Only)	X	X	X		275	1,195.00
111743	950 (SN 11999 & Prior)	X	X	X		324	1,476.00
111743	950 (SN 12000 & Later)	X	X	X		324	1,476.00
111742	990	X	X	X		275	1,195.00
111743	1050	X	X	X		324	1,476.00
211716	3120/3320/3520/3720		X	X		255	1,379.00
211716	3203		X	X		255	1,379.00
211713	4120/4320/4520/4720	X	X	X		272	914.00
111754	4200/4300/4400	X	X	X		246	1,267.00
111776	4210/4310/4410	X	X	X		264	1,124.00
111753	4500/4510/4600/4610/4700/4710	X	X	X		262	1,335.00
KIOTI®							
111781	CK25/CK30/CK35		X	X		273	1,267.00
111767	DK35 (SN 261400101 & Prior)	X	X	X		368	1,547.00
111783	DK35 (SN 261400102 & Later)		X	X		387	1,335.00
2200009	DK35SE		X	X		337	1,987.00
111768	DK40 (SN 161400200 & Prior)	X	X	X		290	1,267.00
111775	DK40 (SN 161400201 & Later)	X	X	X		250	1,056.00
2200037	DK40SE/DK45SE/DK50SE		X	X	X	288	1,267.00
111765	DK45/DK50 (SN 256700000 & Prior)	X	X	X		339	1,406.00
111774	DK45/DK50 (SN 256700001 & Later)	X	X	X		327	1,124.00
111765	DK45/DK50 (SN 256700000 & Prior)	X	X		X	339	1,406.00
111774	DK45/DK50 (SN 256700001 & Later)	X	X		X	327	1,124.00
211717	DK45S		X	X		309	1,406.00
111740	LK2554/LK3054		X	X		326	1,267.00

Mounting Kits continued on next page.

Mounting Kits – Loader Model LC102 (Continued)

Mount Kit Part No.	Tractor Brand / Model	Fits Tractor Type				Ship Wt. (lbs.)	Suggested List Price
		2WD	4WD	ROPS	CAB		
KUBOTA®							
111749	L245/L295	X	X	X		384	\$ 1,547.00
111762	L2050/L2350	X	X	X		364	1,406.00
111739	L2250/L2550/L2850/L3250	X	X	X		359	1,335.00
111762	L2500/L2600	X	X	X		364	1,406.00
111739	L2650/L2950/L3450/L3650	X	X	X		359	1,335.00
111780	L2800/L3400/ L2800 HST/L3400 HST	X	X	X		218	942.00
111761	L2900/L3300/L3600/L4200	X	X	X		384	1,689.00
111761	L2900/L3300/L3600/L4200	X	X		X	384	1,689.00
111763	L3000	X	X	X		357	1,406.00
111761	L3010/L3410/L3710/L4310	X	X	X		384	1,689.00
111761	L3010/L3410/L3710/L4310	X	X		X	384	1,689.00
111771	L3130/L3430/L3830	X	X	X		310	1,124.00
111780	L3200/L3800	X	X	X		218	942.00
2200004	L3240/L3540	X	X	X	X	220	849.00
111771	L3430	X	X		X	310	1,124.00
2200004	L3940	X	X	X	X	220	849.00
111780	L3700SU	X	X	X		218	942.00
2200003	L4240/L4740		X	X	X	347	1,092.00
111766	L4300	X	X	X		343	1,406.00
111772	L4330/L4630/L5030	X	X	X		313	1,124.00
111772	L4330/L4630/L5030	X	X		X	313	1,124.00
211711	L4400	X	X	X		285	1,124.00
211711	L4600	X	X	X		285	1,124.00
111769	L4610	X	X	X		355	1,335.00
111769	L4610	X	X		X	355	1,335.00
111769	MX5000	X	X	X		355	1,335.00

Mount Kit Part No.	Tractor Brand / Model	Fits Tractor Type				Ship Wt. (lbs.)	Suggested List Price
		2WD	4WD	ROPS	CAB		
LANDINI®							
2200037	1-40/1-50		X	X	X	288	\$ 1,267.00
LONG®							
111757	280DTC/360DTC	X	X	X		424	1,689.00
MAHINDRA®							
111730	2615/3015	X	X	X		402	1,280.00
111788	2810 HST/3510 HST		X	X		350	1,267.00
211718	2815/3215		X	X		291	1,379.00
211715	3510		X	X		320	1,689.00
111779	3525	X		X		313	1,476.00
111784	4110		X	X		324	1,124.00
MASSEY FERGUSON®							
111741	1125/1140/1145	X	X	X		324	1,267.00
111741	1240	X	X	X		324	1,267.00
111741	1250/1260 (Prior to SN "G")	X	X	X		324	1,267.00
111741	1250/1260 (SN "G" & Later)	X	X	X		324	1,267.00
111770	1429/1433/1433V/1440/ 1440V (Non-Hydrostat versions)	X	X	X		344	1,406.00
2200019	1529/1532		X	X		334	1,406.00
111787	1533/1540		X	X		310	1,406.00
211714	1547/1552		X	X	X	334	1,406.00
111787	1635		X	X		310	1,406.00
McCORMICK®							
2200037	X10.40/X10.50		X	X	X	288	1,267.00
MONTANA®							
211720	2740/3240		X	X		236	1,455.00
TYM®							
111788	T330 HST		X	X		350	1,267.00

COMPACT SERIES LOADERS – LOADER VALVE KITS

SECTION 4

Valve Kits – Loader Model LC102

Part No.	Description	Shipping Wt. (lbs.)	Suggested List Price
1023509	Joystick Valve Kit – 2500 psi relief – Direct Control, Series Regenerative	39	\$ 1,092.00
1023510	Joystick Valve Kit – 2500 psi relief – Fender Mount Cable Control, Series Regenerative	38	1,476.00
1023511	Joystick Valve Kit – 2500 psi relief – Direct Control, Series Regenerative (includes hoses)	39	1,124.00
1023512	Joystick Valve Kit – 2500 psi relief – Direct Control, Series Regenerative	37	973.00
1023800	Joystick Valve Kit – 2500 psi relief – Direct Control, Series Regenerative – Tall	50	1,157.00

Hose Kits – Loader Model LC102

Part No.	Description	Shipping Wt. (lbs.)	Suggested List Price
1013322	Hose Kit – Power Beyond, Mahindra® 3525, reference 111779 mount kit	13	\$ 356.00
1022118	Hose Kit – Ford® & New Holland® TC30/T1510/T1520, reference 2200013 mount kit	7	142.00
1023528	Hose Kit – Power Beyond, Branson® 2910/3510/3820/4220/4720, reference 111789 mount kit	7	237.00
1023529	Hose Kit – Power Beyond, Case IH® and Ford & New Holland	8	213.00
1023530	Hose Kit – Power Beyond, Cub Cadet® 8354 and Kioti® DK35 (after SN 261400101), reference 111783 mount kit	8	282.00
1023531	Hose Kit – Power Beyond, Case IH and Ford & New Holland	6	127.00
1023532	Hose Kit – Power Beyond, Cub Cadet 8404/8454 and Kioti DK40, DK45/DK50 ROPS, reference 111774/111775 mount kits	8	282.00
1023533	Hose Kit – Power Beyond, Ford 1700/1900, reference 111744 mount kit	13	354.00
1023534	Hose Kit – Power Beyond, Ford 1310/1510/1710/1910/2110, reference 111745/111746 mount kits	8	282.00
1023535	Hose Kit – Power Beyond, Ford & New Holland and Kubota® (see reference list)	8	282.00
1023540	Hose Kit – Power Beyond, John Deere® 850 (SN 8999 & Prior), 950 (SN 11999 & Prior)	8	282.00
1023541	Hose Kit – Power Beyond, John Deere 850 (SN 9000 & Later), 950 (SN 12000 & Later) & 1050	13	282.00
1023542	Hose Kit – Power Beyond, John Deere 870/970/1070, 990 (requires JD BM18010 hydraulic kit)	13	319.00
1023544	Hose Kit – Power Beyond, Kioti DK35/DK40/DK45/DK50	8	213.00
1023545	Hose Kit – Power Beyond, Kubota L2900/L3300/L3600/L4200 CAB, L3010/L3410/L3710/L4310/L4610 CAB and Kioti DK45/DK50 CAB, reference 111761/111765 mount kits	6	178.00
1023546	Hose Kit – Power Beyond, Kioti DK45/DK50 CAB, reference 111774 mount kit	6	213.00
1023548	Hose Kit – Power Beyond, Kubota L245/L295, reference 111749 mount kit	9	289.00
1023549	Hose Kit – Power Beyond, Kubota L2250 – L3650, reference 111739 mount kit	12	282.00
1023550	Hose Kit – Power Beyond, Kubota L3430/L4330/L4630/L5030 with Cab	11	282.00
1023552	Hose Kit – Power Beyond, Long® 280DTC/360DTC, reference 111757 mount kit	8	354.00
1023553	Hose Kit – Power Beyond, Mahindra 2810 HST/3510 HST, 3510/4110 and Tym® T330 HST, reference 111784/111788/211715 mount kits	12	256.00
1023604	Hose Kit – Power Beyond, Agco® ST34A/ST41A, Challenger® MT265B/MT275B, Massey Ferguson® 1533/1540/1635, reference 111787 mount kit	9	256.00
1023605	Hose Kit – Power Beyond, Agco ST35/ST40 Hydro, ST35/ST35X/ST40/ST40X, reference 111770/111777 mount kits	7	247.00
1023606	Hose Kit – (4) 54" Hoses with couplers, Agco ST47A/ST52A, Challenger MT285B/MT295B, Massey Ferguson 1547/1552, reference 211714 mount kit	7	213.00
1023607	Hose Kit – Power Beyond, Case IH 244/245/254/255, reference 111750 mount kit	12	319.00
1023609	Hose Kit – Power Beyond, Cub Cadet 7360, reference 111732 mount kit	11	175.00
1023610	Hose Kit – Power Beyond, Cub Cadet 7260/7265/7300/7305 and Mahindra 2615/3015, reference 111730 mount kit	7	282.00
1023611	Hose Kit – Power Beyond, Cub Cadet 7530/7532 and Mahindra 2815/3215, reference 211712/211718 mount kits	4	169.00
1023613	Hose Kit – (4) 54" Hoses with couplers, Case IH and Ford & New Holland	9	213.00
1023614	Hose Kit – Power Beyond, John Deere 750, reference 111752 mount kit	10	247.00
1023615	Hose Kit – (4) 46" Hoses with couplers, John Deere 4000 series tractors (use with JD SCV valve)	10	282.00
1023616	Hose Kit – (4) 75" Hoses with couplers, John Deere 870/970/990/1070 (use with JD SCV valve)	10	319.00
1023617	Hose Kit – (4) 54" Hoses with couplers, Kioti CK25/CK30/CK35, reference 111781 mount kit	11	354.00
1023618	Hose Kit – (4) 54" Hoses with couplers, Kioti DK45S, reference 211717 mount kit	12	282.00
1023619	Hose Kit – Power Beyond, Kioti LK2554/LK3054, reference 111740 mount kit	8	282.00
1023620	Hose Kit – Power Beyond, Kubota L2050/L2350/L2500/L2600/L3000, reference 111762/111763 mount kits	10	319.00
1023622	Hose Kit – Power Beyond, Massey Ferguson 1125/1140/1145, 1240, 1250/1260 (Prior to SN "G"), reference 111741 mount kit	9	354.00
1023623	Hose Kit – Power Beyond, Massey Ferguson 1250/1260 (SN "G" & Later), reference 111741 mount kit	10	233.00
1023624	Hose Kit – Power Beyond, Massey Ferguson 1429/1433/1433V/ 1440/1440V, reference 111770 mount kit	6	247.00
1023627	Hose Kit – (4) 54" Hoses with couplers, Kubota L3240/L3540, L4240/L4740, reference 2200003/2200004 mount kits	9	298.00
1023628	Hose Kit – (4) 46" Hoses with couplers, John Deere 3120/3320/3520/3720 & 3203	7	131.00
1023802	Hose Kit – Power Beyond, Montana® 2740/3240, reference 211720 mount kit	12	221.00
1023996	Hose Kit – Kubota L3940, reference 2200004 mount kit	12	345.00

Hose Kits continued on next page.

Hose Kits – Loader Model LC102 (Continued)

Part No.	Description	Shipping Wt. (lbs.)	Suggested List Price
1025739	Hose Kit – (4) 60" Hoses with couplers, Bobcat®, Kioti®, Landini® and McCormick®, ref. 2200009/2200037 mount kits	9	\$ 373.00
1028252	Hose Kit – (4) 54" Hoses with couplers, Cub Cadet® EX2900/EX3200, reference 2200016 mount kit	8	253.00
1029474	Hose Kit – Branson® 3510h/4720h, reference 2200017 mount kit	8	237.00
1030159	Hose Kit – Branson 2910i/3110i/3510i, reference 2200017 mount kit	12	237.00
1030185	Hose Kit – Power Beyond, Massey Ferguson® 1529/1532, reference 2200019 mount kit	10	354.00
1033412	Hose Kit – Case IH Farmall and New Holland® Boomer, reference 2200033/2200034 mount kits	10	173.00

COMPACT SERIES LOADERS – GRILL GUARDS

SECTION 6

Grill Guards – Loader Model LC102

Part No.	Description	Shipping Wt. (lbs.)	Suggested List Price
40988	Grill Guard – John Deere® 870/970/1070, 990 reference 111742 mount kit	43	\$ 142.00
46775	Grill Guard – Ford® & New Holland 2120/3415, reference 111735 mount kit	30	142.00
46995	Grill Guard – Ford & New Holland 1920, reference 111758 mount kit	30	109.00
52322	Grill Guard – Cub Cadet® 7360, reference 111732 mount kit	41	142.00
58310	Grill Guard – Massey Ferguson and Agco®, reference 111741/111777 mount kits	36	213.00
58608	Grill Guard – Kioti LK2554/LK3054, reference 111740 mount kit	40	142.00
59738	Grill Guard – John Deere, reference 111753/111754/111776 mount kits	40	213.00
1000754	Grill Guard – Kubota® L4300, reference 111766 mount kit	56	213.00
1001044	Grill Guard – Case IH and Ford & New Holland, reference 2200015 mount kit	30	142.00
1001550	Grill Guard – Case IH and Ford & New Holland, reference 111755 mount kit	24	109.00
1002615	Grill Guard – Kubota, reference 111739/111761/111762/111763 mount kits	46	213.00
1002626	Grill Guard – Cub Cadet 8404/8454 and Kioti DK40/DK45/DK50, reference 111765/111768/111774/111775 mount kits	51	213.00
1003186	Grill Guard – Cub Cadet 8354 and Kioti DK35, reference 111767/111783 mount kits	54	213.00
1004610	Grill Guard – Kubota L4610/MX5000, reference 111769 mount kit	55	213.00
1006322	Grill Guard – Massey Ferguson and Agco, reference 111770 mount kit	42	142.00
1006492	Grill Guard – Kubota, reference 111771/111772/111780/211711/2200004 mount kits	55	213.00
1007640	Grill Guard – Mahindra® 2810 HST/3510 HST and Tym® T330 HST, reference 111788 mount kit	21	109.00
1011419	Grill Guard – Kioti CK25/CK30/CK35, reference 111781 mount kit	31	142.00
1011526	Grill Guard – Mahindra 3510/4110, reference 111784/211715 mount kits	40	213.00
1013288	Grill Guard – Agco ST34A/ST41A/ST47A/ST52A, Challenger® MT265B/MT275B/MT285B/MT295B, Massey Ferguson 1529/1532/1533/1540/1547/1552/1635, reference 111787/211714/2200019 mount kits	47	190.00
1013487	Grill Guard – Branson, reference 111789/2200017 mount kits	38	169.00
1014864	Grill Guard – John Deere 4120/4320/4520/4720, reference 211713 mount kit	36	213.00
1016376	Grill Guard – Kioti DK45S, reference 211717 mount kit	40	213.00
1019012	Grill Guard – John Deere 3120/3320/3520/3720 & 3203, reference 211716 mount kit	39	320.00
1021860	Grill Guard – Mahindra 2815/3215, reference 211718 mount kit	29	167.00
1021952	Grill Guard – Montana® 2740/3240, reference 211720 mount kit	30	185.00
1022113	Grill Guard – Case IH and New Holland, reference 2200013/2200014 mount kits	34	208.00
1025236	Grill Guard – Bobcat, Kioti, Landini and McCormick, reference 2200009/2200037 mount kits	39	269.00
1026400	Grill Guard – Cub Cadet EX2900/EX3200, reference 2200016 mount kit	25	240.00
1029450	Grill Guard – Kubota L3940, L4240/L4740, reference 2200003/2200004 mount kits	77	368.00
1033415	Grill Guard – Case IH Farmall 30B/35B and New Holland Boomer 30/35, reference 2200033 mount kit	35	173.00
1033425	Grill Guard – Case IH Farmall 40B/50B and New Holland Boomer 40/50, reference 2200034 mount kit	34	173.00
1033670	Grill Guard – Kubota L3200/L3700SU/L3800/L4600, reference 111780/211711 mount kits	61	228.00

Miscellaneous – Loader Model LC102

Part No.	Description	Shipping Wt. (lbs.)	Suggested List Price
1005093	Paint – Case of 12 Spray Cans – Red to match Case IH®	13	\$ 178.00
1005094	Paint – Case of 12 Spray Cans – Yellow to match Cub Cadet®	13	178.00
1005095	Paint – Case of 12 Spray Cans – Blue to match New Holland® Vibrant Blue	13	178.00
1005096	Paint – Case of 12 Spray Cans – Blue to match New Holland Ford® Blue	13	178.00
1005097	Paint – Case of 12 Spray Cans – Orange to match Kubota®	13	178.00
1005098	Paint – Case of 12 Spray Cans – Red to match Massey Ferguson®	13	178.00

COMPACT SERIES LOADERS – TRACTOR NOTES

SECTION 8

Tractor Notes – Loader Model LC102

1. Mount fits with OEM auxiliary valve – OEM auxiliary valve required Woods® hose kit 1023613.
2. Fits with Super Steer® front axle.
3. Hose kit 1023533 fits tractors with draft control only.
4. If tractor is equipped with John Deere® BM18010 rear quick coupler kit, use Woods hose kit 1023542. If tractor is equipped with John Deere Selective Control Valve (SCV), use Woods hose kit 1023616.
5. Tractor must have power steering to use hose kit.
6. Requires John Deere Selective Control Valve (SCV) and Woods hose kit to connect to tractor mid-remote couplers.
7. Grill guard included with mounting kit.
8. Will not fit 3-cylinder tractors with 29 x 12.5 x 15 turf tires.
9. Fits with Woods mower models C360 & C372.
10. L3010 and L3410 only – fits with Kubota mid-mount mower model RC72-29A.
11. 2-function valve kit 1023511 includes all hoses and fittings to connect to tractor hydraulic system.
12. Requires reinforcement kit 1004750 to fit OEM mower model 914A. Reinforcement kit is NOT compatible with Super Steer front axle.
13. Hose kit 1023617 required to connect loader to OEM loader valve supplied with tractor.
14. Hose kit 1023618 required to connect loader to OEM loader valve supplied with tractor.
15. Tractor must be equipped with OEM loader valve and quick couplers. Order hose kit 1023606 to connect.
16. Tractors with Cab must be equipped with OEM loader valve and mid-remote quick couplers. Order hose kit 1023613 to connect.
17. Tractor must be equipped with Kioti® mid-remote cable valve and couplers to use hose kit 1025236.
18. Weight box 1006124 is recommended for tractor stability.
19. Hose kit 1029474 is used on Branson® “h” (hydro) series tractors; hose kit 1030159 is used on Branson “i” (gear) series tractors.
20. Tractor must be equipped with OEM loader valve and mid-remote quick couplers. Order hose kit 1033412 to connect.
21. Hose kit connects to OEM loader valve supplied with tractor.
22. Tractor must be equipped with OEM loader valve and mid-remote quick couplers.

LC108 Features and Specifications

FEATURES:

Curved loader boom
Midmount loader boom attachment
Fast D-Tach loader
Parking stands – stored in loader boom cross tube
Rod bucket level indicator
4-bar bucket linkage
Manual tube on the loader boom cross tube
Optional Quick Attachment Coupler System
Construction bucket
2-year warranty

SPECIFICATIONS:

Fits 28 – 50 hp tractors (2WD & FWA)	Breakout at 19.7 inches ahead of bucket pivot pins: 3000 lbs.
Lift height: 108 inches	Maximum digging depth: 5 inches
Lift cylinders: 2.36 inches; Bucket cylinders: 2.36 inches	Dump angle: 58 degrees
Lift capacity at bucket pins: 2175 lbs.	Roll back angle: 35 degrees
Lift capacity at 19.7 inches ahead of bucket pivot pins: 1800 lbs.	Reach: 40 inches
Breakout at bucket pins: 3850 lbs.	Pivot pins diameter: 1.25 inches

To Order a Complete Loader Using the Woods® Quick Order System

- Find the tractor brand and model you are attempting to fit in the **Tractor/Loader Adaptability Chart**.
- Select the loader model you wish to price (each model belongs to a Loader Series, i.e., Compact Series).
- Go to the appropriate Loader Model **Quick Order** tab.
- Find the tractor brand / model you are fitting.
- Order loader frame.
- Order pin-on bucket or Quick Attachment Carrier System and quick attach bucket.
- Order completing kit.

Be sure to refer to the “Notes” column; Tractor Notes are found at the end of each tabbed section in the Loader price pages. Prices for each component are listed in the appropriate component section. If you have any questions, please contact Woods Dealer Services.

EXAMPLE

When ordering a loader to fit a Kubota® tractor, model L3430 ROPS, do the following:

1. The Kubota L3430 ROPS tractor is fit by one Woods loader model: LC108. (Reference the Tractor/Loader Adaptability Chart.)
2. Flip to the LC108 **Quick Order** tab.
3. **Section 1** – Select tractor brand and model that the LC108 loader is to fit: Kubota L3430 ROPS.
 - a. Order the loader frame #2210844 (Orange to match Kubota).
 - b. Order the bucket #2260066 (66” pin attachment bucket).
Note: If selecting a quick change system, order Quick Attachment Coupler System and 66” QA bucket.
 - c. Order the completing kit #111771D1. Completing kit includes loader mount, valve, hose kit and grill guard (if available).
List price of complete loader is \$7,406; total weight is 1180 lbs.

Unless noted, each "Loader Complete" STANDARD configuration includes loader, bucket, and completing kit (mount, hydraulics and grill guard, if grill guard is available). Any deviation from standard configuration will require ordering components individually.

Quick Order Section – Loader Model LC108

Tractor Brand / Model	Loader Pkg. Type	Fits Tractor Type				Loader Frame Color	Quick Order Part Numbers						Ship Wt. (lbs.)	Suggested List Price	Tractor Notes
		2WD	4WD	ROPS	CAB		LC108 Loader Frame	Bucket Width (in.)	Pin-On Bucket	Quick Attach. Coupler	QA Bucket	Completing Kit *			
AGCO®															
ST45 Hydro	Pin-on	X	X	X		Black	2210840	66	2260066			111778D2	1270	\$ 7,906	
ST45 Hydro	QA	X	X	X		Black	2210840	66		2350000	2270066	111778D2	1350	8,557	
ST45 Shuttle Shift	Pin-on	X	X	X		Black	2210840	66	2260066			111778D3	1270	8,047	
ST45 Shuttle Shift	QA	X	X	X		Black	2210840	66		2350000	2270066	111778D3	1350	8,698	
ST47A/ST52A	Pin-on		X	X		Black	2210840	66	2260066			211714H1	1171	6,754	9
ST47A/ST52A	QA					Black	2210840	66		2350000	2270066	211714H1	1251	7,405	9
BRANSON®															
3820/4220/4720	Pin-on		X	X		Red	2210849	66	2260066			111789D1	1178	7,528	
3820/4220/4720	QA		X	X		Red	2210849	66		2350000	2270066	111789D1	1258	8,179	
3820i/4220i/4720i	Pin-on		X	X		Red	2210849	66	2260066			2200017D	1357	7,529	14
3820i/4220i/4720i	QA		X	X		Red	2210849	66		2350000	2270066	2200017D	1430	8,180	14
4720h	Pin-on		X	X		Red	2210849	66	2260066			2200017D1	1353	7,529	14
4720h	QA		X	X		Red	2210849	66		2350000	2270066	2200017D1	1426	8,180	14
CASE IH®															
DX40/DX45	Pin-on		X		X	Red	2210842	66	2260066			2200015H	1155	6,782	9
DX40/DX45	QA		X		X	Red	2210842	66		2350000	2270066	2200015H	1228	7,433	9
DX48/DX55	Pin-on	X	X	X		Red	2210842	66	2260066			2200002D2	1125	7,892	
DX48/DX55	QA	X	X	X		Red	2210842	66		2350000	2270066	2200002D2	1205	8,543	
DX48/DX55	Pin-on	X	X	X		Red	2210842	66	2260066			2200002H2	1085	6,792	9, 10
DX48/DX55	QA	X	X	X		Red	2210842	66		2350000	2270066	2200002H2	1165	7,443	9, 10
Farmall® 45/50	Pin-on		X		X	Red	2210842	66	2260066			2200015H	1155	6,782	9
Farmall 45/50	QA		X		X	Red	2210842	66		2350000	2270066	2200015H	1228	7,433	9
Farmall 45A/55A	Pin-on	X	X	X		Red	2210842	66	2260066			2200031D	1250	7,905	
Farmall 45A/55A	QA	X	X	X		Red	2210842	66		2350000	2270066	2200031D	1323	8,556	
Farmall 55/60	Pin-on	X	X	X		Red	2210842	66	2260066			2200002D2	1125	7,892	
Farmall 55/60	QA	X	X	X		Red	2210842	66		2350000	2270066	2200002D2	1205	8,543	
Farmall 55/60	Pin-on	X	X	X		Red	2210842	66	2260066			2200002H2	1085	6,792	9, 10
Farmall 55/60	QA	X	X	X		Red	2210842	66		2350000	2270066	2200002H2	1165	7,443	9, 10
CHALLENGER®															
MT285B/MT295B	Pin-on		X	X	X	Black	2210840	66	2260066			211714H1	1171	6,754	9
MT285B/MT295B	QA		X	X	X	Black	2210840	66		2350000	2270066	211714H1	1251	7,405	9
CUB CADET®															
8354	Pin-on		X	X		Yellow	2210848	66	2260066			111783D1	1268	7,867	
8354	QA		X	X		Yellow	2210848	66		2350000	2270066	111783D1	1348	8,518	
8404	Pin-on		X	X		Yellow	2210848	66	2260066			111775D1	1126	7,588	
8404	QA		X	X		Yellow	2210848	66		2350000	2270066	111775D1	1206	8,239	
8454	Pin-on		X	X		Yellow	2210848	66	2260066			111774D1	1203	7,656	
8454	QA		X	X		Yellow	2210848	66		2350000	2270066	111774D1	1283	8,307	

* Completing Kits that end in D or D* contain mounting kit, Woods Hydraulic Package (2-spool direct control valve and hose kit) and grill guard, if available.
 Completing Kits that end in C* contain mounting kit, Woods Hydraulic Package (2-spool cable control valve and hose kit) and grill guard, if available.
 Completing Kits that end in H or H* contain mounting kit, 4-hose kit (to connect loader to OEM remote valve) and grill guard, if available.

Unless noted, each “Loader Complete” STANDARD configuration includes loader, bucket, and completing kit (mount, hydraulics and grill guard, if grill guard is available). Any deviation from standard configuration will require ordering components individually.

Quick Order Section – Loader Model LC108 (Continued)

Tractor Brand / Model	Loader Pkg. Type	Fits Tractor Type				Loader Frame Color	Quick Order Part Numbers						Ship Wt. (lbs.)	Suggested List Price	Tractor Notes
		2WD	4WD	ROPS	CAB		LC108 Loader Frame	Bucket Width (in.)	Pin-On Bucket	Quick Attach. Coupler	QA Bucket	Completing Kit *			
FORD® & NEW HOLLAND®															
1910/2110	Pin-on	X	X	X		Fd-NH Blue	2210843	66	2260066			111746D1	1073	\$ 7,586	
1910/2110	QA	X	X	X		Fd-NH Blue	2210843	66		2350000	2270066	111746D1	1153	8,237	
1920	Pin-on	X	X	X		Fd-NH Blue	2210843	66	2260066			111758D1	1196	7,765	
1920	QA	X	X	X		Fd-NH Blue	2210843	66		2350000	2270066	111758D1	1276	8,416	
2120	Pin-on	X	X	X		Fd-NH Blue	2210843	66	2260066			111735D1	1175	7,937	
2120	QA	X	X	X		Fd-NH Blue	2210843	66		2350000	2270066	111735D1	1255	8,588	
3230/3430/3930	Pin-on	X		X		Fd-NH Blue	2210843	66	2260066			111764D2	1145	7,938	
3230/3430/3930	QA	X		X		Fd-NH Blue	2210843	66		2350000	2270066	111764D2	1225	8,589	
3415	Pin-on	X		X		Fd-NH Blue	2210843	66	2260066			111735D1	1175	7,937	
3415	QA	X		X		Fd-NH Blue	2210843	66		2350000	2270066	111735D1	1255	8,588	
Boomer 3040/3045/3050, 8N	Pin-on		X	X	X	Vibrant-NH Blue	2210847	66	2260066			2200015D	1232	7,874	6, 9
Boomer 3040/3045/3050, 8N	QA		X	X	X	Vibrant-NH Blue	2210847	66		2350000	2270066	2200015D	1305	8,525	6, 9
T1530	Pin-on		X	X		Vibrant-NH Blue	2210847	66	2260066			2200015D	1232	7,874	6
T1530	QA		X	X		Vibrant-NH Blue	2210847	66		2350000	2270066	2200015D	1305	8,525	6
T2310/T2320/T2330 with Super Steer Only	Pin-on		X	X		Vibrant-NH Blue	2210847	66	2260066			2200015D	1232	7,874	
T2310/T2320/T2330 with Super Steer Only	QA		X	X		Vibrant-NH Blue	2210847	66		2350000	2270066	2200015D	1305	8,525	
T2310/T2320/T2330 with Super Steer Only	Pin-on		X	X		Vibrant-NH Blue	2210847	66	2260066			2200015H	1155	6,782	9
T2310/T2320/T2330 with Super Steer Only	QA		X	X		Vibrant-NH Blue	2210847	66		2350000	2270066	2200015H	1228	7,433	9
T2310/T2320/T2330 with or without Super Steer	Pin-on		X		X	Vibrant-NH Blue	2210847	66	2260066			2200015H	1155	6,782	9
T2310/T2320/T2330 with or without Super Steer	QA		X		X	Vibrant-NH Blue	2210847	66		2350000	2270066	2200015H	1228	7,433	9
T2410/T2420	Pin-on	X	X	X		Vibrant-NH Blue	2210847	66	2260066			2200002D2	1125	7,892	
T2410/T2420	QA	X	X	X		Vibrant-NH Blue	2210847	66		2350000	2270066	2200002D2	1205	8,543	
T2410/T2420	Pin-on	X	X	X		Vibrant-NH Blue	2210847	66	2260066			2200002H2	1085	6,792	9, 10
T2410/T2420	QA	X	X	X		Vibrant-NH Blue	2210847	66		2350000	2270066	2200002H2	1165	7,443	9, 10
TC35/TC35A/TC35D/TC35DA/TC40/TC40A/TC40D/TC40DA/TC45/TC45A/TC45D/TC45DA with Super Steer only	Pin-on		X	X		Vibrant-NH Blue	2210847	66	2260066			2200015D	1232	7,874	6
TC35/TC35A/TC35D/TC35DA/TC40/TC40A/TC40D/TC40DA/TC45/TC45A/TC45D/TC45DA with Super Steer only	QA		X	X		Vibrant-NH Blue	2210847	66		2350000	2270066	2200015D	1305	8,525	6

* Completing Kits that end in D or D* contain mounting kit, Woods Hydraulic Package (2-spool direct control valve and hose kit) and grill guard, if available.
 Completing Kits that end in C* contain mounting kit, Woods Hydraulic Package (2-spool cable control valve and hose kit) and grill guard, if available.
 Completing Kits that end in H or H* contain mounting kit, 4-hose kit (to connect loader to OEM remote valve) and grill guard, if available.

Unless noted, each "Loader Complete" STANDARD configuration includes loader, bucket, and completing kit (mount, hydraulics and grill guard, if grill guard is available). Any deviation from standard configuration will require ordering components individually.

Quick Order Section – Loader Model LC108 (Continued)

Tractor Brand / Model	Loader Pkg. Type	Fits Tractor Type				Loader Frame Color	Quick Order Part Numbers					Ship Wt. (lbs.)	Suggested List Price	Tractor Notes	
		2WD	4WD	ROPS	CAB		LC108 Loader Frame	Bucket Width (in.)	Pin-On Bucket	Quick Attach. Coupler	QA Bucket				Completing Kit *
FORD® & NEW HOLLAND® (Continued)															
TC35/TC35A/TC35D/ TC35DA/TC40/TC40A/ TC40D/TC40DA/TC45/ TC45A/TC45D/TC45DA with Super Steer only	Pin-on		X	X		Vibrant-NH Blue	2210847	66	2260066			2200015H	1085	\$ 6,782	9
TC35/TC35A/TC35D/ TC35DA/TC40/TC40A/ TC40D/TC40DA/TC45/ TC45A/TC45D/TC45DA with Super Steer only	QA		X	X		Vibrant-NH Blue	2210847	66		2350000	2270066	2200015H	1165	7,433	9
TC40DA/TC45DA with or without Super Steer	Pin-on		X		X	Vibrant-NH Blue	2210847	66	2260066			2200015H	1085	6,782	9
TC40DA/TC45DA with or without Super Steer	QA		X		X	Vibrant-NH Blue	2210847	66		2350000	2270066	2200015H	1165	7,433	9
TC48DA/TC55DA	Pin-on	X	X	X		Vibrant-NH Blue	2210847	66	2260066			2200002D2	1125	7,892	
TC48DA/TC55DA	QA	X	X	X		Vibrant-NH Blue	2210847	66		2350000	2270066	2200002D2	1205	8,543	
TC48DA/TC55DA	Pin-on	X	X	X		Vibrant-NH Blue	2210847	66	2260066			2200002H2	1085	6,792	9, 10
TC48DA/TC55DA	QA	X	X	X		Vibrant-NH Blue	2210847	66		2350000	2270066	2200002H2	1165	7,443	9, 10
TT45A/TT50A	Pin-on	X		X		Vibrant-NH Blue	2210847	66	2260066			2200011D2	1214	7,878	
TT45A/TT50A	QA	X		X		Vibrant-NH Blue	2210847	66		2350000	2270066	2200011D2	1287	8,529	
Workmaster 45/55	Pin-on	X	X	X		Vibrant-NH Blue	2210847	66	2260066			2200031D	1250	7,905	
Workmaster 45/55	QA	X	X	X		Vibrant-NH Blue	2210847	66		2350000	2270066	2200031D	1323	8,556	
JOHN DEERE®															
870/970/1070 (Power Steering only)	Pin-on	X	X	X		Green	2210841	66	2260066			111742D1	1134	7,693	2
870/970/1070 (Power Steering only)	QA	X	X	X		Green	2210841	66		2350000	2270066	111742D1	1214	8,344	2
950 (SN 11999 & Prior)	Pin-on	X	X	X		Green	2210841	66	2260066			111743D3	1150	7,795	
950 (SN 11999 & Prior)	QA	X	X	X		Green	2210841	66		2350000	2270066	111743D3	1230	8,446	
950 (SN 12000 & Later)	Pin-on	X	X	X		Green	2210841	66	2260066			111743D2	1151	7,795	
950 (SN 12000 & Later)	QA	X	X	X		Green	2210841	66		2350000	2270066	111743D2	1231	8,446	
990	Pin-on	X	X	X		Green	2210841	66	2260066			111742D1	1134	7,693	2
990	QA	X	X	X		Green	2210841	66		2350000	2270066	111742D1	1214	8,344	2
1050	Pin-on	X	X	X		Green	2210841	66	2260066			111743D2	1150	7,795	
1050	QA	X	X	X		Green	2210841	66		2350000	2270066	111743D2	1230	8,446	
4120/4320/4520/4720	Pin-on	X	X	X		Green	2210841	66	2260066			211713H1	1083	6,354	1
4120/4320/4520/4720	QA	X	X	X		Green	2210841	66		2350000	2270066	211713H1	1163	7,005	1
4500/4510/4600/4610/ 4700/4710	Pin-on	X	X	X		Green	2210841	66	2260066			111753H1	1037	6,775	1
4500/4510/4600/4610/ 4700/4710	QA	X	X	X		Green	2210841	66		2350000	2270066	111753H1	1117	7,426	1

* Completing Kits that end in D or D* contain mounting kit, Woods Hydraulic Package (2-spool direct control valve and hose kit) and grill guard, if available.
 Completing Kits that end in C* contain mounting kit, Woods Hydraulic Package (2-spool cable control valve and hose kit) and grill guard, if available.
 Completing Kits that end in H or H* contain mounting kit, 4-hose kit (to connect loader to OEM remote valve) and grill guard, if available.

Unless noted, each “Loader Complete” STANDARD configuration includes loader, bucket, and completing kit (mount, hydraulics and grill guard, if grill guard is available). Any deviation from standard configuration will require ordering components individually.

Quick Order Section – Loader Model LC108 (Continued)

Tractor Brand / Model	Loader Pkg. Type	Fits Tractor Type				Loader Frame Color	Quick Order Part Numbers					Ship Wt. (lbs.)	Suggested List Price	Tractor Notes	
		2WD	4WD	ROPS	CAB		LC108 Loader Frame	Bucket Width (in.)	Pin-On Bucket	Quick Attach. Coupler	QA Bucket				Completing Kit *
KIOTI®															
DK35 (SN 261400101 & Prior)	Pin-on	X	X	X		Orange	2210844	66	2260066			111767D1	1246	\$ 8,010	
DK35 (SN 261400101 & Prior)	QA	X	X	X		Orange	2210844	66		2350000	2270066	111767D1	1326	8,661	
DK35 (SN 261400102 & Later)	Pin-on		X	X		Orange	2210844	66	2260066			111783D1	1266	7,867	
DK35 (SN 261400102 & Later)	QA		X	X		Orange	2210844	66		2350000	2270066	111783D1	1346	8,518	
DK35SE	Pin-on		X	X		Orange	2210844	66	2260066			2200009H	1163	7,574	11
DK35SE	QA		X	X		Orange	2210844	66		2350000	2270066	2200009H	1243	8,225	11
DK40 (SN 161400200 & Prior)	Pin-on	X	X	X		Orange	2210844	66	2260066			111768D1	1165	7,730	
DK40 (SN 161400200 & Prior)	QA	X	X	X		Orange	2210844	66		2350000	2270066	111768D1	1245	8,381	
DK40 (SN 161400201 & Later)	Pin-on	X	X	X		Orange	2210844	66	2260066			111775D1	1126	7,588	
DK40 (SN 161400201 & Later)	QA	X	X	X		Orange	2210844	66		2350000	2270066	111775D1	1206	8,239	
DK40SE/DK45SE/DK50SE	Pin-on		X	X		Orange	2210844	66	2260066			2200007H2	1212	7,602	11
DK40SE/DK45SE/DK50SE	QA		X	X		Orange	2210844	66		2350000	2270066	2200007H2	1292	8,253	11
DK45/DK50 (SN 256700000 & Prior)	Pin-on	X	X	X		Orange	2210844	66	2260066			111765D1	1214	7,869	
DK45/DK50 (SN 256700000 & Prior)	QA	X	X	X		Orange	2210844	66		2350000	2270066	111765D1	1294	8,520	
DK45/DK50 (SN 256700001 & Later)	Pin-on	X	X	X		Orange	2210844	66	2260066			111774D1	1203	7,656	
DK45/DK50 (SN 256700001 & Later)	QA	X	X	X		Orange	2210844	66		2350000	2270066	111774D1	1283	8,307	
DK45/DK50 (SN 256700000 & Prior)	Pin-on	X	X		X	Orange	2210844	66	2260066			111765C1	1209	8,218	
DK45/DK50 (SN 256700000 & Prior)	QA	X	X		X	Orange	2210844	66		2350000	2270066	111765C1	1289	8,869	
DK45/DK50 (SN 256700001 & Later)	Pin-on	X	X		X	Orange	2210844	66	2260066			111774C1	1202	7,971	
DK45/DK50 (SN 256700001 & Later)	QA	X	X		X	Orange	2210844	66		2350000	2270066	111774C1	1282	8,622	
DK45S	Pin-on		X	X		Orange	2210844	66	2260066			211717H1	1139	6,846	8
DK45S	QA		X	X		Orange	2210844	66		2350000	2270066	211717H1	1219	7,497	8
DK55	Pin-on		X	X	X	Orange	2210844	72	2260072			2200041H	1276	7,829	12
DK55	QA		X	X	X	Orange	2210844	78		2350000	2270078	2200041H	1397	8,548	12

* Completing Kits that end in D or D* contain mounting kit, Woods Hydraulic Package (2-spool direct control valve and hose kit) and grill guard, if available.
 Completing Kits that end in C* contain mounting kit, Woods Hydraulic Package (2-spool cable control valve and hose kit) and grill guard, if available.
 Completing Kits that end in H or H* contain mounting kit, 4-hose kit (to connect loader to OEM remote valve) and grill guard, if available.

Unless noted, each "Loader Complete" STANDARD configuration includes loader, bucket, and completing kit (mount, hydraulics and grill guard, if grill guard is available). Any deviation from standard configuration will require ordering components individually.

Quick Order Section – Loader Model LC108 (Continued)

Tractor Brand / Model	Loader Pkg. Type	Fits Tractor Type				Loader Frame Color	Quick Order Part Numbers						Ship Wt. (lbs.)	Suggested List Price	Tractor Notes	
		2WD	4WD	ROPS	CAB		LC108 Loader Frame	Bucket Width (in.)	Pin-On Bucket	Quick Attach. Coupler	QA Bucket	Completing Kit *				
KUBOTA®																
L2550/L2850/L3250	Pin-on	X	X	X		Orange	2210844	66	2260066			111739D1	1232	\$ 7,867		
L2550/L2850/L3250	QA	X	X	X		Orange	2210844	66		2350000	2270066	111739D1	1312	8,518		
L2650/L2950/L3450/L3650	Pin-on	X	X	X		Orange	2210844	66	2260066			111739D1	1232	7,867		
L2650/L2950/L3450/L3650	QA	X	X	X		Orange	2210844	66		2350000	2270066	111739D1	1312	8,518		
L2900/L3300/L3600/L4200	Pin-on	X	X	X		Orange	2210844	66	2260066			111761D1	1254	8,221	4, 5	
L2900/L3300/L3600/L4200	QA	X	X	X		Orange	2210844	66		2350000	2270066	111761D1	1334	8,872	4, 5	
L2900/L3300/L3600/L4200	Pin-on	X	X		X	Orange	2210844	66	2260066			111761C1	1250	8,501	4, 5	
L2900/L3300/L3600/L4200	QA	X	X		X	Orange	2210844	66		2350000	2270066	111761C1	1330	9,152	4, 5	
L3010/L3410/L3710/L4310	Pin-on	X	X	X		Orange	2210844	66	2260066			111761D1	1254	8,221	4, 5	
L3010/L3410/L3710/L4310	QA	X	X	X		Orange	2210844	66		2350000	2270066	111761D1	1334	8,872	4, 5	
L3010/L3410/L3710/L4310	Pin-on	X	X		X	Orange	2210844	66	2260066			111761C1	1250	8,501	4, 5	
L3010/L3410/L3710/L4310	QA	X	X		X	Orange	2210844	66		2350000	2270066	111761C1	1330	9,152	4, 5	
L3130/L3430/L3830	Pin-on	X	X	X		Orange	2210844	66	2260066			111771D1	1180	7,406	7	
L3130/L3430/L3830	QA	X	X	X		Orange	2210844	66		2350000	2270066	111771D1	1260	8,057	7	
L3240/L3540	Pin-on		X	X	X	Orange	2210844	66	2260066			2200004H	1197	6,302	13	
L3240/L3540	QA		X	X	X	Orange	2210844	66		2350000	2270066	2200004H	1270	6,953	13	
L3430	Pin-on	X	X		X	Orange	2210844	66	2260066			111771C1	1192	8,040		
L3430	QA	X	X		X	Orange	2210844	66		2350000	2270066	111771C1	1272	8,691		
L3940	Pin-on		X	X	X	Orange	2210844	66	2260066			2200004H2	1118	6,507	13	
L3940	QA		X	X	X	Orange	2210844	66		2350000	2270066	2200004H2	1191	7,158	13	
L4240/L4740	Pin-on		X	X	X	Orange	2210844	66	2260066			2200003H2	TBD	6,703		
L4240/L4740	QA		X	X	X	Orange	2210844	66		2350000	2270066	2200003H2	TBD	7,354		
L4300	Pin-on	X	X	X		Orange	2210844	66	2260066			111766D1	1223	7,938		
L4300	QA	X	X	X		Orange	2210844	66		2350000	2270066	111766D1	1303	8,589		
L4330/L4630/L5030	Pin-on	X	X	X		Orange	2210844	66	2260066			111772D1	1170	7,406	7	
L4330/L4630/L5030	QA	X	X	X		Orange	2210844	66		2350000	2270066	111772D1	1250	8,057	7	
L4330/L4630/L5030	Pin-on	X	X		X	Orange	2210844	66	2260066			111772C1	1155	8,040		
L4330/L4630/L5030	QA	X	X		X	Orange	2210844	66		2350000	2270066	111772C1	1235	8,691		
L4400	Pin-on	X	X	X		Orange	2210844	66	2260066			211711D1	1155	7,406	7	
L4400	QA	X	X	X		Orange	2210844	66		2350000	2270066	211711D1	1235	8,057	7	
L4600	Pin-on	X	X	X		Orange	2210844	66	2260066			211711D2	1194	7,421	7	
L4600	QA	X	X	X		Orange	2210844	66		2350000	2270066	211711D2	1267	8,072	7	
L4610	Pin-on	X	X	X		Orange	2210844	66	2260066			111769D1	1234	7,867		
L4610	QA	X	X	X		Orange	2210844	66		2350000	2270066	111769D1	1314	8,518		
L4610	Pin-on	X	X		X	Orange	2210844	66	2260066			111769C1	1230	8,147		
L4610	QA	X	X		X	Orange	2210844	66		2350000	2270066	111769C1	1310	8,798		

* Completing Kits that end in D or D* contain mounting kit, Woods Hydraulic Package (2-spool direct control valve and hose kit) and grill guard, if available.
 Completing Kits that end in C* contain mounting kit, Woods Hydraulic Package (2-spool cable control valve and hose kit) and grill guard, if available.
 Completing Kits that end in H or H* contain mounting kit, 4-hose kit (to connect loader to OEM remote valve) and grill guard, if available.

Unless noted, each “Loader Complete” STANDARD configuration includes loader, bucket, and completing kit (mount, hydraulics and grill guard, if grill guard is available). Any deviation from standard configuration will require ordering components individually.

Quick Order Section – Loader Model LC108 (Continued)

Tractor Brand / Model	Loader Pkg. Type	Fits Tractor Type				Loader Frame Color	Quick Order Part Numbers						Ship Wt. (lbs.)	Suggested List Price	Tractor Notes
		2WD	4WD	ROPS	CAB		LC108 Loader Frame	Bucket Width (in.)	Pin-On Bucket	Quick Attach. Coupler	QA Bucket	Completing Kit *			
KUBOTA® (Continued)															
L5040/L5240/L5740	Pin-on		X	X	X	Orange	2210844	66	2260066			2200003H	1189	\$ 6,548	
L5040/L5240/L5740	QA		X	X	X	Orange	2210844	66		2350000	2270066	2200003H	1269	7,199	
MX5000	Pin-on	X	X	X		Orange	2210844	66	2260066			111769D1	1234	7,867	
MX5000	QA	X	X	X		Orange	2210844	66		2350000	2270066	111769D1	1314	8,518	
MX5100	Pin-on	X	X	X		Orange	2210844	66	2260066			2200003D2	1247	7,535	
MX5100	QA	X	X	X		Orange	2210844	72		2350000	2270072	2200003D2	1336	8,258	
LANDINI®															
1-55	Pin-on		X	X	X	Black	2210840	72	2260072			2200041H	1276	7,829	12
1-55	QA		X	X	X	Black	2210840	78		2350000	2270078	2200041H	1397	8,548	12
LONG®															
280DTC/360DTC	Pin-on	X	X	X		Black	2210840	66	2260066			111757D1	1252	8,080	3
280DTC/360DTC	QA	X	X	X		Black	2210840	66		2350000	2270066	111757D1	1332	8,731	3
MAHINDRA®															
3510	Pin-on		X	X		Red	2210850	66	2260066			211715D1	1187	8,195	
3510	QA		X	X		Red	2210850	66		2350000	2270066	211715D1	1267	8,846	
3525	Pin-on	X		X		Red	2210850	66	2260066			111779D1	1129	7,869	
3525	QA	X		X		Red	2210850	66		2350000	2270066	111779D1	1209	8,520	
4110	Pin-on		X	X		Red	2210850	66	2260066			111784D1	1187	7,630	
4110	QA		X	X		Red	2210850	66		2350000	2270066	111784D1	1267	8,281	
MASSEY FERGUSON®															
1445	Pin-on	X	X	X		Red	2210846	66	2260066			111778D3	1269	8,047	
1445	QA	X	X	X		Red	2210846	66		2350000	2270066	111778D3	1349	8,698	
1547/1552	Pin-on		X	X	X	Red	2210846	66	2260066			211714H1	775	6,754	9
1547/1552	QA		X	X	X	Red	2210846	66		2350000	2270066	211714H1	855	7,405	9
2605/2615	Pin-on		X	X		Red	2210846	66	2260066			2200023D	1379	8,261	
2605/2615	QA		X	X		Red	2210846	66		2350000	2270066	2200023D	1452	8,912	
2605/2615	Pin-on	X		X		Red	2210846	66	2260066			2200024D	1433	8,097	
2605/2615	QA	X		X		Red	2210846	72		2350000	2270072	2200024D	1522	8,820	
2625	Pin-on	X		X		Red	2210846	66	2260066			2200026D	1415	8,304	
2625	QA	X		X		Red	2210846	72		2350000	2270072	2200026D	1504	9,027	
McCORMICK®															
X10.55	Pin-on		X	X	X	Red	2210851	72	2260072			2200041H	1276	7,829	12
X10.55	QA		X	X	X	Red	2210851	78		2350000	2270078	2200041H	1397	8,548	12

* Completing Kits that end in D or D* contain mounting kit, Woods Hydraulic Package (2-spool direct control valve and hose kit) and grill guard, if available.
 Completing Kits that end in C* contain mounting kit, Woods Hydraulic Package (2-spool cable control valve and hose kit) and grill guard, if available.
 Completing Kits that end in H or H* contain mounting kit, 4-hose kit (to connect loader to OEM remote valve) and grill guard, if available.

Unless noted, Completing Kits include Mount Kit, Woods® Hydraulic Package (or 4-Hose Kit for tractor remotes) and Grill Guard.

Completing Kits – Loader Model LC108

Tractor Brand / Model	Fits Tractor Type				Completing Kit Part No. **	Mount Kit	Woods® Hydraulic Package		OR	4-Hose Kit	Grill Guard	Ship Wt. (lbs.)	Suggested List Price	Notes
	2WD	4WD	ROPS	CAB			2-Spool Valve Kit	Hoses for Loader Valve		Connects to OEM Valve or Remotes				
AGCO®														
ST45 Hydro	X	X	X		111778D2	111778	1023509	1023525		N/A	1007640	495	\$ 2,961	
ST45 Shuttle Shift	X	X	X		111778D3	111778	1023509	1023526		N/A	1007640	495	3,102	
ST47A/ST52A		X	X		211714H1	211714	N/A	N/A		1023606	1013288	388	1,809	9
BRANSON®														
3820/4220/4720		X	X		111789D1	111789	1023800	1023528		N/A	1013487	428	2,583	
3820i/4220i/4720i		X	X		2200017D	2200017	1023512	1030159		N/A	1013487	548	2,584	14
4720h		X	X		2200017D1	2200017	1023512	1029474		N/A	1013487	544	2,584	14
CASE IH®														
DX40/DX45		X		X	2200015H	2200015	N/A	N/A		1023613	1001044	366	1,837	9
DX48/DX55	X	X	X		2200002D2	2200002	1023509	1023626		A	1007768	350	2,947	
DX48/DX55	X	X	X		2200002H2	2200002	A	A		1023625	1007768	310	1,847	9, 10
Farmall® 45/50		X		X	2200015H	2200015	A	A		1023613	1001044	366	1,837	9
Farmall 45A/55A	X	X	X		2200031D	2200031	1023509	1024328		N/A	1033140	441	2,960	
Farmall 55/60	X	X	X		2200002D2	2200002	1023509	1023626		A	1007768	350	2,947	
Farmall 55/60	X	X	X		2200002H2	2200002	A	A		1023625	1007768	310	1,847	9, 10
CHALLENGER®														
MT285B/MT295B		X	X	X	211714H1	211714	N/A	N/A		1023606	1013288	388	1,809	9
CUB CADET®														
8354		X	X		111783D1	111783	1023509	1023530		N/A	1003186	496	2,922	
8404		X	X		111775D1	111775	1023509	1023532		N/A	1002626	354	2,643	
8454		X	X		111774D1	111774	1023509	1023532		N/A	1002626	431	2,711	
FORD® & NEW HOLLAND®														
1910/2110	X	X	X		111746D1	111746	1023509	1023534		N/A	N/A	301	2,641	
1920	X	X	X		111758D1	111758	1023509	1023529		N/A	46995	424	2,820	
2120	X	X	X		111735D1	111735	1023509	1023535		N/A	46775	398	2,992	
3230/3430/3930	X		X		111764D2	111764	1023509	1023538		N/A	1001412	370	2,993	
3415	X		X		111735D1	111735	1023509	1023535		N/A	46775	398	2,992	
Boomer 3040/3045/3050, 8N		X	X	X	2200015D	2200015	1023509	1023529		A	1001044	402	2,929	6, 9
T1530		X	X		2200015D	2200015	1023509	1023529		A	1001044	402	2,929	9
T2310/T2320/T2330 with Super Steer only		X	X		2200015D	2200015	1023509	1023529		A	1001044	402	2,929	
T2310/T2320/T2330 with Super Steer only		X	X		2200015H	2200015	A	A		1023613	1001044	366	1,837	9
T2310/T2320/T2330 with or without Super Steer		X		X	2200015H	2200015	N/A	N/A		1023613	1001044	366	1,837	9
T2410/T2420	X	X	X		2200002D2	2200002	1023509	1023626		A	1007768	350	2,947	
T2410/T2420	X	X	X		2200002H2	2200002	A	A		1023625	1007768	310	1,847	9, 10

** Completing Kits that end in D or D* contain mounting kit, Woods Hydraulic Package (2-spool direct control valve and hose kit) and grill guard, if available.
 Completing Kits that end in C* contain mounting kit, Woods Hydraulic Package (2-spool cable control valve and hose kit) and grill guard, if available.
 Completing Kits that end in H or H* contain mounting kit, 4-hose kit (to connect loader to OEM remote valve) and grill guard, if available.
 A = Available
 N/A = Not Available

Unless noted, Completing Kits include Mount Kit, Woods® Hydraulic Package (or 4-Hose Kit for tractor remotes) and Grill Guard.

Completing Kits – Loader Model LC108 (Continued)

Tractor Brand / Model	Fits Tractor Type				Completing Kit Part No. **	Mount Kit	Woods® Hydraulic Package		OF	4-Hose Kit Connects to OEM Valve or Remotes	Grill Guard	Ship Wt. (lbs.)	Suggested List Price	Notes
	2WD	4WD	ROPS	CAB			2-Spool Valve Kit	Hoses for Loader Valve						
FORD® & NEW HOLLAND® (Continued)														
TC35/TC35A/TC35D/TC35DA/TC40/TC40A/TC40D/TC40DA/TC45/TC45A/TC45D/TC45DA with Super Steer only		X	X		2200015D	2200015	1023509	1023529		A	1001044	402	\$ 2,929	6
TC35/TC35A/TC35D/TC35DA/TC40/TC40A/TC40D/TC40DA/TC45/TC45A/TC45D/TC45DA with Super Steer only		X	X		2200015H	2200015	A	A		1023613	1001044	366	1,837	9
TC40DA/TC45DA with or without Super Steer		X		X	2200015H	2200015	A	A		1023613	1001044	366	1,837	9
TC48DA/TC55DA	X	X	X		2200002D2	2200002	1023509	1023626		A	1007768	350	2,947	
TC48DA/TC55DA	X	X	X		2200002H2	2200002	A	A		1023625	1007768	310	1,847	9, 10
TT45A/TT50A	X		X		2200011D2	2200011	1023509	1024328		N/A	1028289	405	2,933	
Workmaster 45/55	X	X	X		2200031D	2200031	1023509	1024328		N/A	1033140	441	2,960	
JOHN DEERE®														
870/970/1070 (Power Steering only)	X	X	X		111742D1	111742	1023509	1023542		1023616	40988	362	2,748	2
950 (SN 11999 & Prior)	X	X	X		111743D3	111743	1023509	1023540		N/A	N/A	378	2,850	
950 (SN 12000 & Later)	X	X	X		111743D2	111743	1023509	1023541		N/A	N/A	379	2,850	
990	X	X	X		111742D1	111742	1023509	1023542		1023616	40988	362	2,748	2
1050	X	X	X		111743D2	111743	1023509	1023541		N/A	N/A	379	2,850	
4120/4320/4520/4720	X	X	X		211713H1	211713	N/A	N/A		1023615	1014864	318	1,409	1
4500/4510/4600/4610/4700/4710	X	X	X		111753H1	111753	N/A	N/A		1023615	59738	312	1,830	1
KIOTI®														
DK35 (SN 261400101 & Prior)	X	X	X		111767D1	111767	1023509	1023544		N/A	1003186	474	3,065	
DK35 (SN 261400102 & Later)		X	X		111783D1	111783	1023509	1023530		N/A	1003186	496	2,922	
DK35SE		X	X		2200009H	2200009	N/A	N/A		1025739	1025236	385	2,629	11
DK40 (SN 161400200 & Prior)	X	X	X		111768D1	111768	1023509	1023544		N/A	1002626	393	2,785	
DK40 (SN 161400201 & Later)	X	X	X		111775D1	111775	1023509	1023532		N/A	1002626	354	2,643	
DK40SE/DK45SE/DK50SE		X	X		2200007H2	2200007	N/A	N/A		1025739	1025236	437	2,657	11
DK45/DK50 (SN 256700000 & Prior)	X	X	X		111765D1	111765	1023509	1023544		N/A	1002626	442	2,924	
DK45/DK50 (SN 256700001 & Later)	X	X	X		111774D1	111774	1023509	1023532		N/A	1002626	431	2,711	
DK45/DK50 (SN 256700000 & Prior)	X	X		X	111765C1	111765	1023510	1023545		N/A	1002626	437	3,273	
DK45/DK50 (SN 256700001 & Later)	X	X		X	111774C1	111774	1023510	1023546		N/A	1002626	430	3,026	
DK45S		X	X		211717H1	211717	N/A	N/A		1023618	1016376	361	1,901	8
DK55		X	X	X	2200041H	2200041	N/A	N/A		1033686	1010585	451	2,812	12
KUBOTA®														
L2550/L2850/L3250	X	X	X		111739D1	111739	1023509	1023549		N/A	1002615	457	2,922	
L2650/L2950/L3450/L3650	X	X	X		111739D1	111739	1023509	1023549		N/A	1002615	457	2,922	
L2900/L3300/L3600/L4200	X	X	X		111761D1	111761	1023509	1023535		N/A	1002615	477	3,276	4, 5
L2900/L3300/L3600/L4200	X	X		X	111761C1	111761	1023510	1023545		N/A	1002615	475	3,556	4, 5

** Completing Kits that end in D or D* contain mounting kit, Woods Hydraulic Package (2-spool direct control valve and hose kit) and grill guard, if available.
 Completing Kits that end in C* contain mounting kit, Woods Hydraulic Package (2-spool cable control valve and hose kit) and grill guard, if available.
 Completing Kits that end in H or H* contain mounting kit, 4-hose kit (to connect loader to OEM remote valve) and grill guard, if available.
 A = Available
 N/A = Not Available

Unless noted, Completing Kits include Mount Kit, Woods® Hydraulic Package (or 4-Hose Kit for tractor remotes) and Grill Guard.

Completing Kits – Loader Model LC108 (Continued)

Tractor Brand / Model	Fits Tractor Type				Completing Kit Part No. **	Mount Kit	Woods® Hydraulic Package		OR	4-Hose Kit	Grill Guard	Ship Wt. (lbs.)	Suggested List Price	Notes
	2WD	4WD	ROPS	CAB			2-Spool Valve Kit	Hoses for Loader Valve		Connects to OEM Valve or Remotes				
KUBOTA® (Continued)														
L3010/L3410/L3710/L4310	X	X	X		111761D1	111761	1023509	1023535		N/A	1002615	477	\$ 3,276	4, 5
L3010/L3410/L3710/L4310	X	X		X	111761C1	111761	1023510	1023545		N/A	1002615	475	3,556	4, 5
L3130/L3430/L3830	X	X	X		111771D1	111771	1023511	included w/valve		N/A	1006492	412	2,461	7
L3240/L3540		X	X	X	2200004H	2200004	N/A	N/A		1023627	1006492	392	1,357	13
L3430	X	X		X	111771C1	111771	1023510	1023550		N/A	1006492	417	3,095	
L3940		X	X	X	2200004H2	2200004	N/A	N/A		1023996	1029450	309	1,562	13
L4240/L4740		X	X	X	2200003H2	2200003	N/A	N/A		1023627	1029450	433	1,758	
L4300	X	X	X		111766D1	111766	1023509	1023535		N/A	1000754	451	2,993	
L4330/L4630/L5030	X	X	X		111772D1	111772	1023511	included w/valve		N/A	1006492	402	2,461	7
L4330/L4630/L5030	X	X		X	111772C1	111772	1023510	1023550		N/A	1006492	407	3,095	
L4400	X	X	X		211711D1	211711	1023511	included w/valve		N/A	1006492	387	2,461	7
L4600	X	X	X		211711D2	211711	1023511	included w/valve		N/A	1033670	385	2,476	7
L4610	X	X	X		111769D1	111769	1023509	1023535		N/A	1004610	457	2,922	
L4610	X	X		X	111769C1	111769	1023510	1023545		N/A	1004610	455	3,202	
L5040/L5240/L5740		X	X	X	2200003H	2200003	N/A	N/A		1023627	1006492	414	1,603	
MX5000	X	X	X		111769D1	111769	1023509	1023535		N/A	1004610	457	2,922	
MX5100	X	X	X		2200003D2	2200003	1023509	1029005		N/A	1027854	442	2,590	
LANDINI®														
1-55		X	X	X	2200041H	2200041	N/A	N/A		1033686	1010585	451	2,812	12
LONG®														
280DTC/360DTC	X	X	X		111757D1	111757	1023509	1023552		N/A	N/A	480	3,135	3
MAHINDRA®														
3510		X	X		211715D1	211715	1023509	1023553		N/A	1011526	415	3,250	
3525	X		X		111779D1	111779	1023509	1013322		N/A	N/A	357	2,924	
4110		X	X		111784D1	111784	1023509	1023553		N/A	1011526	415	2,685	
MASSEY FERGUSON®														
1445	X	X	X		111778D3	111778	1023509	1023526		N/A	1007640	495	3,102	
1547/1552		X	X	X	211714H1	211714	N/A	N/A		1023606	1013288	388	1,809	9
2605/2615		X	X		2200023D	2200023	1023512	1032897		N/A	1032895	570	3,316	
2605/2615	X		X		2200024D	2200024	1023512	1032897		N/A	1033058	624	3,152	
2625	X		X		2200026D	2200026	1023512	1032897		N/A	1033059	606	3,359	
McCORMICK®														
X10.55		X	X	X	2200041H	2200041	N/A	N/A		1033686	1010585	451	2,812	12

** Completing Kits that end in D or D* contain mounting kit, Woods Hydraulic Package (2-spool direct control valve and hose kit) and grill guard, if available.

Completing Kits that end in C* contain mounting kit, Woods Hydraulic Package (2-spool cable control valve and hose kit) and grill guard, if available.

Completing Kits that end in H or H* contain mounting kit, 4-hose kit (to connect loader to OEM remote valve) and grill guard, if available.

A = Available

N/A = Not Available

Miscellaneous – Loader Model LC108

Part No.	Description	Shipping Wt. (lbs.)	Suggested List Price
1005093	Paint – Case of 12 Spray Cans – Red to match Case IH®	13	\$ 178.00
1005094	Paint – Case of 12 Spray Cans – Yellow to match Cub Cadet®	13	178.00
1005095	Paint – Case of 12 Spray Cans – Blue to match New Holland® Vibrant Blue	13	178.00
1005096	Paint – Case of 12 Spray Cans – Blue to match New Holland Ford® Blue	13	178.00
1005097	Paint – Case of 12 Spray Cans – Orange to match Kubota®	13	178.00
1005098	Paint – Case of 12 Spray Cans – Red to match Massey Ferguson®	13	178.00
1024040	Rear Rail Kit – For Kubota L3240/L3540/L3940 (LC108 Loader only)	78	\$ 320.00

COMPACT SERIES LOADERS – TRACTOR NOTES

SECTION 4

Tractor Notes – Loader Model LC108

1. Requires John Deere® Selective Control Valve (SCV) and Woods® hose kit to connect to tractor mid-remote couplers.
2. If tractor is equipped with John Deere® BM18010 rear quick coupler kit, use Woods hose kit 1023542. If tractor is equipped with John Deere Selective Control Valve (SCV), use Woods hose kit 1023616.
3. Grill guard included with mounting kit.
4. Will not fit 3-cylinder tractors with 29 x 12.5 x 15 turf tires.
5. Grill guard required for LC108 Loader.
6. Recommend LC96 or LC102 Woods model loader on tractors without Super Steer. LC108 Loader is required to fit tractors with Super Steer.
7. 2-function valve kit 1023511 includes all hoses and fittings to connect to tractor hydraulic system.
8. Tractor must be equipped with Kioti® mid-remote cable valve and couplers.
9. Tractors with Cab must be equipped with OEM loader valve and remote quick couplers.
10. Hose kit 1023625 for tractor remotes does not include quick couplers.
11. Tractor must be equipped with Kioti mid-remote cable valve and couplers to use hose kit 1025739.
12. Hose kit connects to OEM loader valve supplied with tractor.
13. LC108 Loader requires 1024040 Rear Rail Kit to prevent damage to tractor or mounting kit. Refer to Miscellaneous section for pricing.
14. Hose kit 1029474 is used on Branson® “h” (hydro) series tractors; hose kit 1030159 is used on Branson “i” (gear) series tractors.

LC108 Features and Specifications

FEATURES:

Curved loader boom
Midmount loader boom attachment
Fast D-Tach loader
Parking stands – stored in loader boom cross tube
Rod bucket level indicator
4-bar bucket linkage
Manual tube on the loader boom cross tube
Optional Quick Attachment Coupler System
Construction bucket
2-year warranty

SPECIFICATIONS:

Fits 28 – 50 hp tractors (2WD & FWA)	Breakout at 19.7 inches ahead of bucket pivot pins: 3000 lbs.
Lift height: 108 inches	Maximum digging depth: 5 inches
Lift cylinders: 2.36 inches; Bucket cylinders: 2.36 inches	Dump angle: 58 degrees
Lift capacity at bucket pins: 2175 lbs.	Roll back angle: 35 degrees
Lift capacity at 19.7 inches ahead of bucket pivot pins: 1800 lbs.	Reach: 40 inches
Breakout at bucket pins: 3850 lbs.	Pivot pins diameter: 1.25 inches

To Order a Complete Loader by Ordering Individual Components

- Find the tractor brand and model you are attempting to fit in the **Tractor/Loader Adaptability Chart**.
- Select the loader model you wish to price (each model belongs to a Loader Series, i.e., Compact Series).
- Go to the appropriate Loader Model **Component Order** tab.
- Find the tractor brand / model you are fitting in the **Tractor Reference** section – part numbers needed to configure a loader are listed (except loader frame and bucket).
- Order loader frame.
- Order front-end attachment(s).
- Order mounting kit.
- Order valve kit.
- Order hose kit OR 4-hose kit to connect to OEM remote valve.
- Order grill guard.

Be sure to refer to the “Notes” column; Tractor Notes are found at the end of each tabbed section in the Loader price pages. Prices for each component are listed in the appropriate component section. If you have any questions, please contact Woods® Dealer Services.

EXAMPLE:

When ordering a loader to fit a Kubota® tractor, model L3430 ROPS, do the following:

1. The Kubota L3430 ROPS tractor is fit by one Woods loader model: LC108. (Reference the Tractor/Loader Adaptability Chart.)
2. Flip to the LC108 **Components** tab and go to the Tractor Reference Chart for components to order to complete the LC108 Loader.
 - a. **Section 1** – Order the loader frame #2210844 (Orange to match Kubota).
 - b. **Section 2** – Order the bucket #2260066 (66” pin attachment bucket).
Note: If selecting a quick change system, order Quick Attachment Coupler System and buckets compatible with the Quick Attachment Coupler System. Other front end attachments may be ordered within this section.
 - c. **Section 3** – Order the mounting kit #111771.
 - d. **Section 4** – Order the valve kit #1023511.
 - e. **Section 5** – Order the hose kit # (included with valve) OR the 4-hose kit # (N/A).
 - f. **Section 6** – Order grill guard #1006492.

COMPACT SERIES LOADERS – MODEL LC108 TRACTOR REFERENCE CHART

Tractor Brand / Model	Fits Tractor Type				Mount Kit	Hydraulic Package		OF	4-Hose Kit	Grill Guard	OEM Mid-Mower Compat.	Tractor Notes
	2WD	4WD	ROPS	CAB		2-Spool Valve Kit	Hoses for Loader Valve		Connects to OEM Valve			
AGCO®												
ST45 Hydro	X	X	X		111778	1023509	1023525		1028846	1007640		
ST45 Shuttle Shift	X	X	X		111778	1023509	1023526		1028846	1007640		
ST47A/ST52A		X	X		211714	N/A	N/A		1023606	1013288		9
BRANSON®												
3820/4220/4720		X	X		111789	1023800	1023528		N/A	1013487		
3820i/4220i/4720i		X	X		2200017	1023512	1030159		N/A	1013487		14
4720h		X	X		2200017	1023512	1029474		N/A	1013487		14
CASE IH®												
DX40/DX45		X		X	2200015	N/A	N/A		1023613	1001044		9
DX48/DX55	X	X	X		2200002	1023509	1023626		1023625	1007768		9, 10
Farmall® 45/50		X		X	2200015	1023509	1023529		1023613	1001044		9
Farmall 45A/55A	X	X	X		2200031	1023509	1024328		N/A	1033140		
Farmall 55/60	X	X	X		2200002	1023509	1023626		1023625	1007768		9, 10
CHALLENGER®												
MT285B/MT295B		X	X	X	211714	N/A	N/A		1023606	1013288		9
CUB CADET®												
8354		X	X		111783	1023509	1023530		N/A	1003186		
8404		X	X		111775	1023509	1023532		1028846	1002626		
8454		X	X		111774	1023509	1023532		1028846	1002626		
FORD® & NEW HOLLAND®												
1910/2110	X	X	X		111746	1023509	1023534		N/A	N/A		
1920	X	X	X		111758	1023509	1023529		N/A	46995		
2120	X	X	X		111735	1023509	1023535		N/A	46775		
3230/3430/3930	X		X		111764	1023509	1023538		1028847	1001412		
3415	X		X		111735	1023509	1023535		N/A	46775		
Boomer 3040/3045/3050, 8N		X	X	X	2200015	1023509	1023529		1023613	1001044		6, 9
T1530		X	X		2200015	1023509	1023529		1023613	1001044		9
T2310/T2320/T2330 with Super Steer Only		X	X		2200015	1023509	1023529		1023613	1001044		9
T2310/T2320/T2330 with or without Super Steer		X		X	2200015	N/A	N/A		1023613	1001044		9
T2410/T2420	X	X	X		2200002	1023509	1023626		1023625	1007768		9, 10
TC35/TC35A/TC35D/TC35DA/TC40/TC40A/TC40D/TC40DA/TC45/TC45A/TC45D/TC45DA with Super Steer Only		X	X		2200015	1023509	1023529		1023613	1001044		6, 9
TC40DA/TC45DA with or without Super Steer		X		X	2200015	N/A	N/A		1023613	1001044		9
TC48DA/TC55DA	X	X	X		2200002	1023509	1023626		1023625	1007768		9, 10
TT45A/TT50A	X		X		2200011	1023509	1024328		N/A	1028289		
Workmaster 45/55	X	X	X		2200031	1023509	1024328		N/A	1033140		
JOHN DEERE®												
870/970/1070 (Power Steering only)	X	X	X		111742	1023509	1023542		1023616	40988		2
950 (SN 11999 & Prior)	X	X	X		111743	1023509	1023540		N/A	N/A		
950 (SN 12000 & Later)	X	X	X		111743	1023509	1023541		N/A	N/A		
990	X	X	X		111742	1023509	1023542		1023616	40988		2
1050	X	X	X		111743	1023509	1023541		N/A	N/A		
4120/4320/4520/4720	X	X	X		211713	N/A	N/A		1023615	1014864		1
4500/4510/4600/4610/4700/4710	X	X	X		111753	N/A	N/A		1023615	59738		1
KIOTI®												
DK35 (SN 261400101 & Prior)	X	X	X		111767	1023509	1023544		N/A	1003186		
DK35 (SN 261400102 & Later)		X	X		111783	1023509	1023530		N/A	1003186		

Tractor Reference Chart continued on next page.

Note: If listed, 4-hose kit for use with tractor remotes may be ordered instead of Woods valve and hose kit for loader valve.

N/A = Not Available

COMPACT SERIES LOADERS – MODEL LC108 TRACTOR REFERENCE CHART (Continued)

Tractor Brand / Model	Fits Tractor Type				Mount Kit	Hydraulic Package		OR	4-Hose Kit	Grill Guard	OEM Mid-Mower Compat.	Tractor Notes
	2WD	4WD	ROPS	CAB		2-Spool Valve Kit	Hoses for Loader Valve		Connects to OEM Valve			
KIOTI® (Continued)												
DK35SE		X	X		2200009	N/A	N/A		1025739	1025236		11
DK40 (SN 161400200 & Prior)	X	X	X		111768	1023509	1023544		1028846	1002626		
DK40 (SN 161400201 & Later)	X	X	X		111775	1023509	1023532		1028846	1002626		
DK40SE/DK45SE/DK50SE		X	X		2200007	N/A	N/A		1025739	1025236		11
DK45/DK50 (SN 256700000 & Prior)	X	X	X		111765	1023509	1023544		1028846	1002626		
DK45/DK50 (SN 256700001 & Later)	X	X	X		111774	1023509	1023532		1028846	1002626		
DK45/DK50 (SN 256700000 & Prior)	X	X		X	111765	1023510	1023545		1028846	1002626		
DK45/DK50 (SN 256700001 & Later)	X	X		X	111774	1023510	1023546		1028846	1002626		
DK45S		X	X		211717	N/A	N/A		1023618	1016376		8
DK55		X	X	X	2200041	N/A	N/A		1033686	1010585		12
KUBOTA®												
L2550/L2850/L3250	X	X	X		111739	1023509	1023549		N/A	1002615		
L2650/L2950/L3450/L3650	X	X	X		111739	1023509	1023549		N/A	1002615		
L2900/L3300/L3600/L4200	X	X	X		111761	1023509	1023535		N/A	1002615		4, 5
L2900/L3300/L3600/L4200	X	X		X	111761	1023510	1023545		N/A	1002615		4, 5
L3010/L3410/L3710/L4310	X	X	X		111761	1023509	1023535		N/A	1002615	RC72-29A	4, 5
L3010/L3410/L3710/L4310	X	X		X	111761	1023510	1023545		N/A	1002615	RC72-29A	4, 5
L3130/L3430/L3830	X	X	X		111771	1023511	included w/valve		N/A	1006492		7
L3240/L3540		X	X	X	2200004	N/A	N/A		1023627	1006492	RC72-38	13
L3430	X	X		X	111771	1023510	1023550		N/A	1006492		
L3940		X	X	X	2200004	N/A	N/A		1023996	1029450	RC72-38	13
L4240/L4740		X	X	X	2200003	N/A	N/A		1023627	1029450		
L4300	X	X	X		111766	1023509	1023535		N/A	1000754		
L4330/L4630/L5030	X	X	X		111772	1023511	included w/valve		N/A	1006492		7
L4330/L4630/L5030	X	X		X	111772	1023510	1023550		N/A	1006492		
L4400	X	X	X		211711	1023511	included w/valve		N/A	1006492		7
L4600	X	X	X		211711	1023511	included w/valve		N/A	1033670		7
L4610	X	X	X		111769	1023509	1023535		N/A	1004610		
L4610	X	X		X	111769	1023510	1023545		N/A	1004610		
L5040/L5240/L5740		X	X	X	2200003	N/A	N/A		1023627	1006492		
MX5000	X	X	X		111769	1023509	1023535		N/A	1004610		
MX5100	X	X	X		2200003	1023509	1029005		N/A	1027854		
LANDINI®												
1-55		X	X	X	2200041	N/A	N/A		1033686	1010585		12
LONG®												
280DTC/360DTC	X	X	X		111757	1023509	1023552		N/A	N/A		3
MAHINDRA®												
3510		X	X		211715	1023509	1023553		N/A	1011526		
3525	X		X		111779	1023509	1013322		N/A	N/A		
4110		X	X		111784	1023509	1023553		N/A	1011526		
MASSEY FERGUSON®												
1445	X	X	X		111778	1023509	1023526		1028846	1007640		
1547/1552		X	X	X	211714	N/A	N/A		1023606	1013288		9
2605/2615		X	X		2200023	1023512	1032897		N/A	1032895		
2605/2615	X		X		2200024	1023512	1032897		N/A	1033058		
2625	X		X		2200026	1023512	1032897		N/A	1033059		
McCORMICK®												
X10.55		X	X	X	2200041	N/A	N/A		1033686	1010585		12

Note: If listed, 4-hose kit for use with tractor remotes may be ordered instead of Woods valve and hose kit for loader valve.

N/A = Not Available

Frames – Loader Model LC108

Part No.	Description	Shipping Wt. (lbs.)	Suggested List Price
2210840	Black (Universal)	540	\$ 3,925.00
2210841	Green to match John Deere®	540	3,925.00
2210842	Red to match Case IH®	540	3,925.00
2210843	Blue to match Ford® & New Holland®	540	3,925.00
2210844	Orange to match Kubota®	540	3,925.00
2210845	Miscellaneous Color (Contact Dealer Service for Price and Availability)	540	3,925.00
2210846	Red to match Massey Ferguson®	540	3,925.00
2210847	Vibrant Blue to match New Holland	540	3,925.00
2210848	Yellow to match Cub Cadet®	540	3,925.00
2210849	Red to match Branson®	540	3,925.00
2210850	Red to match Mahindra®	540	3,925.00
2210851	Red to match McCormick®	540	3,925.00

COMPACT SERIES LOADERS – BUCKETS & FRONT-END ATTACHMENTS

SECTION 2

Buckets & Front End Attachments – Loader Model LC108

STANDARD BUCKETS – PIN ATTACHMENT – Or choose Quick Attachment Coupler in sections below

Part No.	Width (in.)	Description	Capacity	Shipping Wt. (lbs.)	Suggested List Price	Qty. of 5 List Price *
2260066	66	Heavy-Duty Loader Bucket – Pin Attachment	12.8 cu. ft.	269	\$ 1,020.00	—
2260072	72	Heavy-Duty Loader Bucket – Pin Attachment	14.0 cu. ft.	285	1,092.00	—

OPTIONAL QUICK ATTACHMENT COUPLER SYSTEM – Order in place of Standard Buckets above

2350000	Quick Attachment Coupler Assembly			84	\$ 651.00	—
---------	-----------------------------------	--	--	----	-----------	---

OPTIONAL BUCKETS – Compatible with Quick Attachment Coupler System

2270060	60	Heavy-Duty Loader Bucket – Quick Attachment Coupler System	11.6 cu. ft.	239	\$ 950.00	—
2270066	66	Heavy-Duty Loader Bucket – Quick Attachment Coupler System	12.8 cu. ft.	258	1,020.00	—
2270072	72	Heavy-Duty Loader Bucket – Quick Attachment Coupler System	14.0 cu. ft.	274	1,092.00	—
2270078	78	Heavy-Duty Loader Bucket – Quick Attachment Coupler System	16.2 cu. ft.	322	1,160.00	—

Note: Loader buckets are punched for optional Bolt-on Cutting Edges.

OPTIONAL BOLT-ON EDGES AND TINE KITS

46382	60	Bolt-On Edge for 60" Buckets, includes hardware		46	\$ 142.00	—
46383	66	Bolt-On Edge for 66" Buckets, includes hardware		50	163.00	—
46384	72	Bolt-On Edge for 72" Buckets, includes hardware		55	186.00	—
1033818	78	Bolt-On Edge for 78" Buckets, includes hardware		61	271.00	—
46380		Tine Kit for 60", 66", 72" Buckets, includes hardware (Must drill holes in bucket)		33	142.00	—

SKID STEER ATTACHMENTS – Compatible with Quick Attachment Coupler System

52756	60	MF6000 – 60" Manure Fork		349	\$ 2,070.00	—
52757	66	MF6600 – 66" Manure Fork		377	2,209.00	—
52753	50	GF3000 – Grapple Attachment for Manure Forks		260	2,209.00	—
1037170		BS3044S – Single Bale Spear w/2 Stabilizer Spikes – Skid Steer Quick Attach	3000 lbs.	198	690.00	\$ 621.00
1037171		BS6044S – Double Bale Spear – Skid Steer Quick Attach	6000 lbs.	231	840.00	756.00
1037172		BS7038S – Triple Bale Spear – Skid Steer Quick Attach	7000 lbs.	252	980.00	882.00
1022532		PF2042S – Pallet Fork with 42" Pivoting Tines	2000 lbs.	280	1,013.00	912.00
1038172		PF4436S – Pallet Fork with 36" Lockdown Tines	4400 lbs.	394	1,079.00	971.00
1038173		PF4442S – Pallet Fork with 42" Lockdown Tines	4400 lbs.	409	1,110.00	999.00
1038174		PF4448S – Pallet Fork with 48" Lockdown Tines	4400 lbs.	428	1,129.00	1,016.00

* Order 5 units in any combination of bale spears or any combination of pallet forks to receive an additional 10% discount.

OPTIONAL WEIGHT BOX FOR THREE-POINT HITCH

1006124	Weight Box for Rear Ballast – Fits Category 1, 3-Point Hitch		6.0 cu. ft.	113	\$ 473.00	—
---------	--	--	-------------	-----	-----------	---

Mounting Kits – Loader Model LC108

Mount Kit Part No.	Tractor Brand / Model	Fits Tractor Type				Ship Wt. (lbs.)	Suggested List Price
		2WD	4WD	ROPS	CAB		
AGCO®							
111778	ST45 Hydro	X	X	X		395	\$ 1,547.00
111778	ST45 Shuttle Shift	X	X	X		395	1,547.00
211714	ST47A/ST52A		X	X		334	1,406.00
BRANSON®							
111789	3820/4220/4720		X	X		325	1,020.00
2200017	3820i/4220i/4720i		X	X		461	1,066.00
2200017	4720h		X	X		461	1,066.00
CASE IH®							
2200015	DX40/DX45		X		X	351	1,482.00
2200002	DX48/DX55	X	X	X		276	1,527.00
2200015	Farmall® 45/50		X		X	351	1,482.00
2200031	Farmall 45A/55A	X	X	X		361	1,527.00
2200002	Farmall 55/60	X	X	X		276	1,527.00
CHALLENGER®							
211714	MT285B/MT295B		X	X	X	334	1,406.00
CUB CADET®							
111783	8354		X	X		387	1,335.00
111775	8404		X	X		250	1,056.00
111774	8454		X	X		327	1,124.00
FORD® & NEW HOLLAND®							
111746	1910/2110	X	X	X		248	1,267.00
111758	1920	X	X	X		343	1,406.00
111735	2120	X	X	X		321	1,476.00
111764	3230/3430/3930	X		X		236	1,267.00
111735	3415	X		X		321	1,476.00
2200015	Boomer 3040/3045/3050, 8N		X	X	X	351	1,482.00
2200015	T1530		X	X		351	1,482.00
2200015	T2310/T2320/T2330 with Super Steer Only		X	X		351	1,482.00
2200015	T2310/T2320/T2330 with or without Super Steer		X		X	351	1,482.00
2200002	T2410/T2420	X	X	X		276	1,527.00
2200015	TC35/TC35A/TC35D/TC35DA/TC40/TC40A/TC40D/TC40DA/TC45/TC45A/TC45D/TC45DA with Super Steer Only		X	X		351	1,482.00
2200015	TC40DA/TC45DA with or without Super Steer		X		X	351	1,482.00
2200002	TC48DA/TC55DA	X	X	X		276	1,527.00
2200011	TT45A/TT50A	X		X		340	1,527.00
2200031	Workmaster 45/55	X	X	X		361	1,527.00

Mount Kit Part No.	Tractor Brand / Model	Fits Tractor Type				Ship Wt. (lbs.)	Suggested List Price
		2WD	4WD	ROPS	CAB		
JOHN DEERE®							
111742	870/970/1070 (with Power Steering Only)	X	X	X		275	\$ 1,195.00
111743	950 (SN 11999 & Prior)	X	X	X		324	1,476.00
111743	950 (SN 12000 & Later)	X	X	X		324	1,476.00
111742	990	X	X	X		275	1,195.00
111743	1050	X	X	X		324	1,476.00
211713	4120/4320/4520/4720	X	X	X		272	914.00
111753	4500/4510/4600/4610/4700/4710	X	X	X		262	1,335.00
KIOTI®							
111767	DK35 (SN 261400101 & Prior)	X	X	X		368	1,547.00
111783	DK35 (SN 261400102 & Later)		X	X		387	1,335.00
2200009	DK35SE		X	X		337	1,987.00
111768	DK40 (SN 161400200 & Prior)	X	X	X		290	1,267.00
111775	DK40 (SN 161400201 & Later)	X	X	X		250	1,056.00
2200007	DK40SE/DK45SE/DK50SE		X	X		386	2,015.00
111765	DK45/DK50 (SN 256700000 & Prior)	X	X	X		339	1,406.00
111774	DK45/DK50 (SN 256700001 & Later)	X	X	X		327	1,124.00
111765	DK45/DK50 (SN 256700000 & Prior)	X	X		X	339	1,406.00
111774	DK45/DK50 (SN 256700001 & Later)	X	X		X	327	1,124.00
211717	DK45S		X	X		309	1,406.00
2200041	DK55		X	X	X	376	2,096.00

Mounting Kits continued on next page.

Mounting Kits – Loader Model LC108 (Continued)

Mount Kit Part No.	Tractor Brand / Model	Fits Tractor Type				Ship Wt. (lbs.)	Suggested List Price
		2WD	4WD	ROPS	CAB		
KUBOTA®							
111739	L2550/L2850/L3250	X	X	X		359	\$ 1,335.00
111739	L2650/L2950/L3450/L3650	X	X	X		359	1,335.00
111761	L2900/L3300/L3600/L4200	X	X	X		384	1,689.00
111761	L2900/L3300/L3600/L4200	X	X		X	384	1,689.00
111761	L3010/L3410/L3710/L4310	X	X	X		384	1,689.00
111761	L3010/L3410/L3710/L4310	X	X		X	384	1,689.00
111771	L3130/L3430/L3830	X	X	X		310	1,124.00
2200004	L3240/L3540		X	X	X	220	849.00
111771	L3430	X	X		X	310	1,124.00
2200004	L3940		X	X	X	220	849.00
2200003	L4240/L4740/L5040/L5240/L5740		X	X	X	347	1,092.00
111766	L4300	X	X	X		343	1,406.00
111772	L4330/L4630/L5030	X	X	X		313	1,124.00
111772	L4330/L4630/L5030	X	X		X	313	1,124.00
211711	L4400	X	X	X		285	1,124.00
211711	L4600	X	X	X		285	1,124.00
111769	L4610	X	X	X		355	1,335.00
111769	L4610	X	X		X	355	1,335.00
111769	MX5000	X	X	X		355	1,335.00
2200003	MX5100	X	X	X		347	1,092.00

Mount Kit Part No.	Tractor Brand / Model	Fits Tractor Type				Ship Wt. (lbs.)	Suggested List Price
		2WD	4WD	ROPS	CAB		
LANDINI®							
2200041	1-55		X	X	X	376	\$ 2,096.00
LONG®							
111757	280DTC/360DTC	X	X	X		424	1,689.00
MAHINDRA®							
211715	3510		X	X		320	1,689.00
111779	3525	X		X		313	1,476.00
111784	4110		X	X		324	1,124.00
MASSEY FERGUSON®							
111778	1445	X	X	X		395	1,547.00
211714	1547/1552		X	X	X	334	1,406.00
2200023	2605/2615		X	X		441	1,853.00
2200024	2605/2615	X		X		495	1,689.00
2200026	2625	X		X		479	1,950.00
McCORMICK®							
2200041	X10.55		X	X	X	376	2,096.00

COMPACT SERIES LOADERS – LOADER VALVE KITS

SECTION 4

Valve Kits – Loader Model LC108

Part No.	Description	Shipping Wt. (lbs.)	Suggested List Price
1023509	Joystick Valve Kit – 2500 psi relief – Direct Control, Series Regenerative	39	\$ 1,092.00
1023510	Joystick Valve Kit – 2500 psi relief – Fender Mount Cable Control, Series Regenerative	38	1,476.00
1023511	Joystick Valve Kit – 2500 psi relief – Direct Control, Series Regenerative – Complete for Kubota L30 Series (includes hoses)	39	1,124.00
1023512	Joystick Valve Kit – 2500 psi relief – Direct Control, Series Regenerative	37	973.00
1023800	Joystick Valve Kit – 2500 psi relief – Direct Control, Series Regenerative – Tall	50	1,157.00

Hose Kits – Loader Model LC108

Part No.	Description	Shipping Wt. (lbs.)	Suggested List Price
1013322	Hose Kit – Power Beyond, Mahindra® 3525, reference 111779 mount kit	13	\$ 356.00
1023525	Hose Kit – Power Beyond, Agco® ST45 Hydro, reference 111778 mount kit	10	213.00
1023526	Hose Kit – Power Beyond, Agco ST45 Shuttle Shift and Massey Ferguson® 1445, reference 111778 mount kit	8	354.00
1023528	Hose Kit – Power Beyond, Branson® 3820/4220/4720, reference 111789 mount kit	7	237.00
1023529	Hose Kit – Power Beyond, Case IH® and Ford® & New Holland® (see reference list)	8	213.00
1023530	Hose Kit – Power Beyond, Cub Cadet® 8354 and Kioti® DK35 (after SN 261400101)	8	282.00
1023532	Hose Kit – Power Beyond, Cub Cadet 8404/8454 and Kioti DK40/DK45/DK50, reference 111774 & 111775 mount kits	8	282.00
1023534	Hose Kit – Power Beyond, Ford 1910/2110	8	282.00
1023535	Hose Kit – Power Beyond, Ford & New Holland and Kubota® (see reference list)	8	282.00
1023538	Hose Kit – Power Beyond with Hydraulic Block, Ford & New Holland 3230/3430/3930, reference 111764 mount kit	21	492.00
1023540	Hose Kit – Power Beyond, John Deere® 950 (SN 11999 & Prior)	8	282.00
1023541	Hose Kit – Power Beyond, John Deere 950 (SN 12000 & Later) & 1050	13	282.00
1023542	Hose Kit – Power Beyond, John Deere 870/970/1070/990 (requires JD #BM18010 hydraulic kit)	13	319.00
1023544	Hose Kit – Power Beyond, Kioti DK35/DK40/DK45/DK50	8	213.00
1023545	Hose Kit – Power Beyond, Kubota L2900/L3300/L3600/L4200, L3010/L3410/L3710/L4310/L4610 & Kioti DK45/DK50	6	178.00
1023546	Hose Kit – Power Beyond, Kioti DK45/DK50, reference 111774 mount kit	6	213.00
1023549	Hose Kit – Power Beyond, Kubota L2250 - L3650, reference 111739 mount kit	12	282.00
1023550	Hose Kit – Power Beyond, Kubota L3430/L4330/L4630/L5030 with Cab	11	282.00
1023552	Hose Kit – Power Beyond, Long® 280/360	8	354.00
1023553	Hose Kit – Power Beyond, Mahindra 3510/4110, reference 111784 & 211715 mount kits	12	256.00
1023606	Hose Kit – (4) 54" Agco ST47A/ST52A, Challenger® MT285B/MT295B, Massey Ferguson 1547/1552, reference 211714 mount kit	7	213.00
1023613	Hose Kit – (4) 54" Hoses with couplers, Case IH and Ford & New Holland	9	213.00
1023615	Hose Kit – (4) 46" For John Deere 4000 series tractors (use with JD SCV valve)	10	282.00
1023616	Hose Kit – (4) 75" Hoses with couplers, John Deere 870/970/990/1070 (use with JD SCV valve)	10	319.00
1023618	Hose Kit – (4) 54" Kioti DK45S for tractor hydraulics, reference 211717 mount kit	12	282.00
1023625	Hose Kit – (4) 84" Connects loader feedlines to tractor remote couplers, reference 2200002 mount kit	10	142.00
1023626	Hose Kit – Power Beyond, Case IH and Ford & New Holland, reference 2200002 mount kit	10	150.00
1023627	Hose Kit – (4) 54" Hoses with couplers, Kubota, reference 2200003/2200004 mount kits	9	298.00
1023996	Hose Kit – Kubota L3940, reference 2200004 mount kit	12	345.00
1024328	Hose Kit – Power Beyond, New Holland TT45A/TT50A, Workmaster 45/55 and Case IH Farmall® 45A/55A, reference 2200011/2200031 mount kits	8	163.00
1025739	Hose Kit – (4) 60" Hoses with couplers, For Kioti DK35SE/DK40SE/DK45SE/DK50SE, reference 2200007/2200009 mount kits	9	373.00
1028846	Hose Kit – (4) 116" Connects loader feedlines to tractor remote couplers	27	387.00
1028847	Hose Kit – (4) 116" Connects loader feedlines to tractor remote couplers, reference 111764 mount kit	25	387.00
1029005	Hose Kit – Power Beyond, Kubota MX5100, reference 2200003 mount kit	7	178.00
1029474	Hose Kit – Branson 4720h, reference 2200017 mount kit	8	237.00
1030159	Hose Kit – Branson 3820i/4220i/4720i, reference 2200017 mount kit	12	237.00
1032897	Hose Kit – Massey Ferguson 2605/2615/2625, reference 2200023/24/26 mount kits	64	294.00
1033686	Hose Kit – Kioti DK55, Landini® 1-55 and McCormick® X10.55, reference 2200041 mount kit	9	362.00

Grill Guards – Loader Model LC108

Part No.	Description	Shipping Wt. (lbs.)	Suggested List Price
40988	Grill Guard – John Deere® 870/970/1070, 990 reference 111742 mount kit	43	\$ 142.00
46775	Grill Guard – Ford® & New Holland® 2120/3415, reference 111735 mount kit	30	142.00
46995	Grill Guard – Ford & New Holland 1920, reference 111758 mount kit	30	109.00
59738	Grill Guard – John Deere 4500/4510/4600/4610/4700/4710, reference 111753 mount kit	40	213.00
1000754	Grill Guard – Kubota® L4300, reference 111766 mount kit	56	213.00
1001044	Grill Guard – Case IH® and Ford & New Holland, reference 2200015 mount kit	30	142.00
1001412	Grill Guard – Ford & New Holland 3230/3430/3930, reference 111764 mount kit	49	142.00
1002615	Grill Guard – Kubota, reference 111739/111761 mount kits	46	213.00
1002626	Grill Guard – Cub Cadet® 8404/8454 and Kioti® DK40/DK45/DK50, reference 111765/111768/111774/111775 mount kits	51	213.00
1003186	Grill Guard – Kioti® DK35 and Cub Cadet 8354, reference 111767/111783 mount kits	54	213.00
1004610	Grill Guard – Kubota L4610/MX5000, reference 111769 mount kit	55	213.00
1006492	Grill Guard – Kubota L-Series tractors, reference 111771/111772/211711/2200003/2200004 mount kits	55	213.00
1007640	Grill Guard – Agco® ST45 Hydro/Shuttle Shift, Massey Ferguson® 1445, reference 111778 mount kit	21	109.00
1007768	Grill Guard – Case IH and Ford & New Holland, reference 2200002 mount kit	24	178.00
1010585	Grill Guard – Kioti DK55, Landini® 1-55 and McCormick® X10.55, reference 2200041 mount kit	66	354.00
1011526	Grill Guard – Mahindra® 3510/4110, reference 111784/211715 mount kits	40	213.00
1013288	Grill Guard – Agco ST47A/ST52A, Challenger® MT285B/MT295B, Massey Ferguson 1547/1552, reference 211714 mount kit	47	190.00
1013487	Grill Guard – Branson®, reference 111789/2200017 mount kits	38	169.00
1014864	Grill Guard – John Deere 4120/4320/4520/4720, reference 211713 mount kit	36	213.00
1016376	Grill Guard – Kioti DK45S, reference 211717 mount kit	40	213.00
1025236	Grill Guard – Kioti DK35SE/DK40SE/DK45SE/DK50SE, reference 2200007/2200009 mount kits	39	269.00
1027854	Grill Guard – Kubota MX5100, reference 2200003 mount kit	45	228.00
1028289	Grill Guard – New Holland TT45A/TT50A, reference 2200011 mount kit	20	151.00
1029450	Grill Guard – Kubota L3940, L4240/L4740, reference 2200003/2200004 mount kits	77	368.00
1032895	Grill Guard – Massey Ferguson 2605/2615 (4WD), reference 2200023 mount kit	28	196.00
1033058	Grill Guard – Massey Ferguson 2605/2615 (2WD), reference 2200024 mount kit	28	196.00
1033059	Grill Guard – Massey Ferguson 2625, reference 2200026 mount kit	26	142.00
1033140	Grill Guard – Case IH Farmall® 45A/55A and New Holland Workmaster 45/55, reference 2200031 mount kit	33	178.00
1033670	Grill Guard – Kubota L4600, reference 211711 mount kit	61	228.00

Miscellaneous – Loader Model LC108

Part No.	Description	Shipping Wt. (lbs.)	Suggested List Price
1005093	Paint – Case of 12 Spray Cans – Red to match Case IH®	13	\$ 178.00
1005094	Paint – Case of 12 Spray Cans – Yellow to match Cub Cadet®	13	178.00
1005095	Paint – Case of 12 Spray Cans – Blue to match New Holland® Vibrant Blue	13	178.00
1005096	Paint – Case of 12 Spray Cans – Blue to match New Holland Ford® Blue	13	178.00
1005097	Paint – Case of 12 Spray Cans – Orange to match Kubota®	13	178.00
1005098	Paint – Case of 12 Spray Cans – Red to match Massey Ferguson®	13	178.00
1024040	Rear Rail Kit – For Kubota L3240/L3540/L3940 (LC108 Loader only)	78	\$ 320.00

COMPACT SERIES LOADERS – TRACTOR NOTES

SECTION 8

Tractor Notes – Loader Model LC108

1. Requires John Deere® Selective Control Valve (SCV) and Woods® hose kit to connect to tractor mid-remote couplers.
2. If tractor is equipped with John Deere BM18010 rear quick coupler kit, use Woods hose kit 1023542. If tractor is equipped with John Deere Selective Control Valve (SCV), use Woods hose kit 1023616.
3. Grill guard included with mounting kit.
4. Will not fit 3-cylinder tractors with 29 x 12.5 x 15 turf tires.
5. Grill guard required for LC108 Loader.
6. Recommend LC96 or LC102 Woods model loader on tractors without Super Steer. LC108 Loader is required to fit tractors with Super Steer.
7. 2-function valve kit 1023511 includes all hoses and fittings to connect to tractor hydraulic system.
8. Tractor must be equipped with Kioti® mid-remote cable valve and couplers.
9. Tractors with Cab must be equipped with OEM loader valve and remote quick couplers.
10. Hose kit 1023625 for tractor remotes does not include quick couplers.
11. Tractor must be equipped with Kioti mid-remote cable valve and couplers to use hose kit 1025739.
12. Hose kit connects to OEM loader valve supplied with tractor.
13. LC108 Loader requires 1024040 Rear Rail Kit to prevent damage to tractor or mounting kit. Refer to Miscellaneous section for pricing.
14. Hose kit 1029474 is used on Branson® “h” (hydro) series tractors; hose kit 1030159 is used on Branson “i” (gear) series tractors.

LC114 Features and Specifications

FEATURES:

Curved loader boom
Midmount loader boom attachment
Fast D-Tach loader
Parking stands – stored in loader boom cross tube
Rod bucket level indicator
4-bar bucket linkage
Manual tube on the loader boom cross tube
Optional Quick Attachment Coupler System
2-year warranty

SPECIFICATIONS:

Fits 30 – 50 hp tractors (2WD & FWA)	Breakout at 19.7 inches ahead of bucket pivot pins: 3400 lbs.
Lift height: 114 inches	Maximum digging depth: 5 inches
Lift cylinders: 2.48 inches; Bucket cylinders: 2.36 inches	Dump angle: 50 degrees
Lift capacity at bucket pins: 2400 lbs.	Roll back angle: 35 degrees
Lift capacity at 19.7 inches ahead of bucket pivot pins: 1950 lbs.	Reach: 32 inches
Breakout at bucket pins: 4600 lbs.	Pivot pins diameter: 1.25 inches

To Order a Complete Loader Using the Woods® Quick Order System

- Find the tractor brand and model you are attempting to fit in the **Tractor/Loader Adaptability Chart**.
- Select the loader model you wish to price (each model belongs to a Loader Series, i.e., Compact Series).
- Go to the appropriate Loader Model **Quick Order** tab.
- Find the tractor brand / model you are fitting.
- Order loader frame.
- Order pin-on bucket or Quick Attachment Carrier System and quick attach bucket.
- Order completing kit.

Be sure to refer to the “Notes” column; Tractor Notes are found at the end of each tabbed section in the Loader price pages. Prices for each component are listed in the appropriate component section. If you have any questions, please contact Woods Dealer Services.

EXAMPLE

When ordering a loader to fit a Ford®-New Holland® tractor, model 3930 ROPS, do the following:

1. The Ford-New Holland 3930 ROPS tractor is fit by two Woods loader models: LC108 and LC114. (Reference Tractor/Loader Adaptability Chart.) We are selecting the LC114 model.
2. Flip to the LC114 **Quick Order** tab.
3. **Section 1** – Select tractor brand and model that the LC114 loader is to fit: Ford-New Holland 3930 ROPS.
 - a. Order the loader frame #2211443 (Blue to match Ford-New Holland).
 - b. Order the bucket #2260066 (66” pin attachment bucket).
Note: If selecting a quick change system, order Quick Attachment Coupler System and 66” QA bucket.
 - c. Order the completing kit #111764D2. Completing kit includes loader mount, valve, hose kit and grill guard (if available). List price of complete loader is \$8,283; total weight is 1145 lbs.

Unless noted, each "Loader Complete" STANDARD configuration includes loader, bucket, and completing kit (mount, hydraulics and grill guard, if grill guard is available). Any deviation from standard configuration will require ordering components individually.

Quick Order Section – Loader Model LC114

Tractor Brand / Model	Loader Pkg. Type	Fits Tractor Type				Loader Frame Color	Quick Order Part Numbers						Ship Wt. (lbs.)	Suggested List Price	Tractor Notes
		2WD	4WD	ROPS	CAB		LC114 Loader Frame	Bucket Width (in.)	Pin-On Bucket	Quick Attach. Coupler	QA Bucket	Completing Kit *			
AGCO®															
ST47A/ST52A	Pin-on		X	X		Black	2211440	66	2260066			211714H1	1171	\$ 7,099	4
ST47A/ST52A	QA					Black	2211440	72		2350000	2270072	211714H1	1266	7,822	4
CASE IH®															
DX48/DX55	Pin-on	X	X	X		Red	2211442	66	2260066			2200002D2	1125	8,237	
DX48/DX55	QA	X	X	X		Red	2211442	72		2350000	2270072	2200002D2	1220	8,960	
DX48/DX55	Pin-on	X	X	X		Red	2211442	66	2260066			2200002H2	1085	7,137	4, 5
DX48/DX55	QA	X	X	X		Red	2211442	72		2350000	2270072	2200002H2	1180	7,860	4, 5
Farmall® 45A/55A	Pin-on	X	X	X		Red	2211442	66	2260066			2200031D	1273	8,250	
Farmall 45A/55A	QA	X	X	X		Red	2211442	66		2350000	2270066	2200031D	1346	8,901	
Farmall 55/60	Pin-on	X	X	X		Red	2211442	66	2260066			2200002D2	1125	8,237	
Farmall 55/60	QA	X	X	X		Red	2211442	66		2350000	2270066	2200002D2	1205	8,888	
Farmall 55/60	Pin-on	X	X	X		Red	2211442	66	2260066			2200002H2	1085	7,137	4, 5
Farmall 55/60	QA	X	X	X		Red	2211442	66		2350000	2270066	2200002H2	1165	7,788	4, 5
CHALLENGER®															
MT285B/MT295B	Pin-on		X	X	X	Black	2211440	66	2260066			211714H1	1171	7,099	4
MT285B/MT295B	QA		X	X	X	Black	2211440	72		2350000	2270072	211714H1	1266	7,822	4
CUB CADET®															
8454	Pin-on		X	X		Yellow	2211448	66	2260066			111774D1	1203	8,001	
8454	QA		X	X		Yellow	2211448	72		2350000	2270072	111774D1	1298	8,724	
FORD® & NEW HOLLAND®															
2120	Pin-on	X	X	X		Fd-NH Blue	2211443	66	2260066			111735D1	1175	8,282	
2120	QA	X	X	X		Fd-NH Blue	2211443	72		2350000	2270072	111735D1	1270	9,005	
3230/3430/3930	Pin-on	X		X		Fd-NH Blue	2211443	66	2260066			111764D2	1145	8,283	
3230/3430/3930	QA	X		X		Fd-NH Blue	2211443	72		2350000	2270072	111764D2	1240	9,006	
T2410/T2420	Pin-on	X	X	X		Vibrant-NH Blue	2211447	66	2260066			2200002D2	1125	8,237	
T2410/T2420	QA	X	X	X		Vibrant-NH Blue	2211447	66		2350000	2270066	2200002D2	1205	8,888	
T2410/T2420	Pin-on	X	X	X		Vibrant-NH Blue	2211447	66	2260066			2200002H2	1085	7,137	4, 5
T2410/T2420	QA	X	X	X		Vibrant-NH Blue	2211447	66		2350000	2270066	2200002H2	1165	7,788	4, 5
TC48DA/TC55DA	Pin-on	X	X	X		Vibrant-NH Blue	2211447	66	2260066			2200002D2	1125	8,237	
TC48DA/TC55DA	QA	X	X	X		Vibrant-NH Blue	2211447	72		2350000	2270072	2200002D2	1220	8,960	
TC48DA/TC55DA	Pin-on	X	X	X		Vibrant-NH Blue	2211447	66	2260066			2200002H2	1085	7,137	4, 5
TC48DA/TC55DA	QA	X	X	X		Vibrant-NH Blue	2211447	72		2350000	2270072	2200002H2	1180	7,860	4, 5
TT45A/TT50A	Pin-on	X		X		Vibrant-NH Blue	2211447	66	2260066			2200011D2	1234	8,223	
TT45A/TT50A	QA	X		X		Vibrant-NH Blue	2211447	66		2350000	2270066	2200011D2	1307	8,874	
Workmaster 45/55	Pin-on	X	X	X		Vibrant-NH Blue	2211447	66	2260066			2200031D	1273	8,250	
Workmaster 45/55	QA	X	X	X		Vibrant-NH Blue	2211447	66		2350000	2270066	2200031D	1346	8,901	

* Completing Kits that end in D* contain mounting kit, Woods Hydraulic Package (2-spool direct control valve and hose kit) and grill guard, if available.
 Completing Kits that end in C* contain mounting kit, Woods Hydraulic Package (2-spool cable control valve and hose kit) and grill guard, if available.
 Completing Kits that end in H or H* contain mounting kit, 4-hose kit (to connect loader to OEM remote valve) and grill guard, if available.

Unless noted, each “Loader Complete” STANDARD configuration includes loader, bucket, and completing kit (mount, hydraulics and grill guard, if grill guard is available). Any deviation from standard configuration will require ordering components individually.

Quick Order Section – Loader Model LC114

Tractor Brand / Model	Loader Pkg. Type	Fits Tractor Type				Loader Frame Color	Quick Order Part Numbers						Ship Wt. (lbs.)	Suggested List Price	Tractor Notes	
		2WD	4WD	ROPS	CAB		LC114 Loader Frame	Bucket Width (in.)	Pin-On Bucket	Quick Attach. Coupler	QA Bucket	Completing Kit *				
JOHN DEERE®																
4120/4320/4520/4720	Pin-on	X	X	X		Green	2211441	66	2260066			211713H1	1083	\$ 6,699	1	
4120/4320/4520/4720	QA	X	X	X		Green	2211441	72		2350000	2270072	211713H1	1178	7,422	1	
KIOTI®																
DK40SE/DK45SE/DK50SE	Pin-on		X	X		Orange	2211444	66	2260066			2200007H2	1212	7,947	6	
DK40SE/DK45SE/DK50SE	QA		X	X		Orange	2211444	72		2350000	2270072	2200007H2	1307	8,670	6	
DK45S	Pin-on		X	X		Orange	2211444	66	2260066			211717H1	1139	7,191	3	
DK45S	QA		X	X		Orange	2211444	72		2350000	2270072	211717H1	1234	7,914	3	
DK55	Pin-on		X	X	X	Orange	2211444	72	2260072			2200041H	1299	8,174	7	
DK55	QA		X	X	X	Orange	2211444	78		2350000	2270078	2200041H	1420	8,893	7	
KUBOTA®																
L4240/L4740	Pin-on		X	X	X	Orange	2211444	66	2260066			2200003H2	TBD	7,048		
L4240/L4740	QA		X	X	X	Orange	2211444	72		2350000	2270072	2200003H2	TBD	7,771		
L4330/L4630/L5030	Pin-on	X	X	X		Orange	2211444	66	2260066			111772D1	1170	7,751	2	
L4330/L4630/L5030	QA	X	X	X		Orange	2211444	72		2350000	2270072	111772D1	1265	8,474	2	
L4330/L4630/L5030	Pin-on	X	X		X	Orange	2211444	66	2260066			111772C1	1182	8,385		
L4330/L4630/L5030	QA	X	X		X	Orange	2211444	72		2350000	2270072	111772C1	1277	9,108		
L5040/L5240/L5740	Pin-on		X	X	X	Orange	2211444	66	2260066			2200003H	1189	6,893		
L5040/L5240/L5740	QA		X	X	X	Orange	2211444	72		2350000	2270072	2200003H	1284	7,616		
MX5100	Pin-on	X	X	X		Orange	2211444	66	2260066			2200003D2	1267	7,880		
MX5100	QA	X	X	X		Orange	2211444	72		2350000	2270072	2200003D2	1356	8,603		
LANDINI®																
1-55	Pin-on		X	X	X	Black	2211440	72	2260072			2200041H	1299	8,174	7	
1-55	QA		X	X	X	Black	2211440	78		2350000	2270078	2200041H	1420	8,893	7	
MASSEY FERGUSON®																
1547/1552	Pin-on		X	X	X	Red	2211446	66	2260066			211714H1	775	7,099	4	
1547/1552	QA		X	X	X	Red	2211446	72		2350000	2270072	211714H1	870	7,822	4	
2605/2615	Pin-on		X	X		Red	2211446	66	2260066			2200023D	1402	8,606		
2605/2615	QA		X	X		Red	2211446	66		2350000	2270066	2200023D	1475	9,257		
2605/2615	Pin-on	X		X		Red	2211446	66	2260066			2200024D	1456	8,442		
2605/2615	QA	X		X		Red	2211446	72		2350000	2270072	2200024D	1545	9,165		
2625	Pin-on	X		X		Red	2211446	66	2260066			2200026D	1438	8,649		
2625	QA	X		X		Red	2211446	72		2350000	2270072	2200026D	1527	9,372		
MCCORMICK®																
X10.55	Pin-on		X	X	X	Red	2211451	72	2260072			2200041H	1299	8,174	7	
X10.55	QA		X	X	X	Red	2211451	78		2350000	2270078	2200041H	1420	8,893	7	

* Completing Kits that end in D* contain mounting kit, Woods Hydraulic Package (2-spool direct control valve and hose kit) and grill guard, if available.
 Completing Kits that end in C* contain mounting kit, Woods Hydraulic Package (2-spool cable control valve and hose kit) and grill guard, if available.
 Completing Kits that end in H or H* contain mounting kit, 4-hose kit (to connect loader to OEM remote valve) and grill guard, if available.

Unless noted, Completing Kits include Mount Kit, Woods® Hydraulic Package (or 4-Hose Kit for tractor remotes) and Grill Guard.

Completing Kits – Loader Model LC114

Tractor Brand / Model	Fits Tractor Type				Completing Kit Part No. **	Mount Kit	Woods® Hydraulic Package		OR	4-Hose Kit		Grill Guard	Ship Wt. (lbs.)	Suggested List Price	Notes
	2WD	4WD	ROPS	CAB			2-Spool Valve Kit	Hoses for Loader Valve		Connects to OEM Valve or Remotes					
AGCO®															
ST47A/ST52A		X	X		211714H1	211714	N/A	N/A		1023606	1013288	388	\$ 1,809	4	
CASE IH®															
DX48/DX55	X	X	X		2200002D2	2200002	1023509	1023626		A	1007768	350	2,947		
DX48/DX55	X	X	X		2200002H2	2200002	A	A		1023625	1007768	310	1,847	4, 5	
Farmall® 45A/55A	X	X	X		2200031D	2200031	1023509	1024328		N/A	1033140	441	2,960		
Farmall 55/60	X	X	X		2200002D2	2200002	1023509	1023626		A	1007768	350	2,947		
Farmall 55/60	X	X	X		2200002H2	2200002	A	A		1023625	1007768	310	1,847	4, 5	
CHALLENGER®															
MT285B/MT295B		X	X	X	211714H1	211714	N/A	N/A		1023606	1013288	388	1,809	4	
CUB CADET®															
8454		X	X		111774D1	111774	1023509	1023532		N/A	1002626	431	2,711		
FORD® & NEW HOLLAND®															
2120	X	X	X		111735D1	111735	1023509	1023535		N/A	46775	398	2,992		
3230/3430/3930	X		X		111764D2	111764	1023509	1023538		N/A	1001412	370	2,993		
T2410/T2420	X	X	X		2200002D2	2200002	1023509	1023626		A	1007768	350	2,947		
T2410/T2420	X	X	X		2200002H2	2200002	A	A		1023625	1007768	310	1,847	4, 5	
TC48DA/TC55DA	X	X	X		2200002D2	2200002	1023509	1023626		A	1007768	350	2,947		
TC48DA/TC55DA	X	X	X		2200002H2	2200002	A	A		1023625	1007768	310	1,847	4, 5	
TT45A/TT50A	X	X	X		2200011D2	2200011	1023509	1024328		N/A	1028289	405	2,933		
Workmaster 45/55	X	X	X		2200031D	2200031	1023509	1024328		N/A	1033140	441	2,960		
JOHN DEERE®															
4120/4320/4520/4720	X	X	X		211713H1	211713	N/A	N/A		1023615	1014864	318	1,409	1	
KIOTI®															
DK40SE/DK45SE/DK50SE		X	X		2200007H2	2200007	N/A	N/A		1025739	1025236	437	2,657	6	
DK45S		X	X		211717H1	211717	N/A	N/A		1023618	1016376	361	1,901	3	
DK55		X	X	X	2200041H	2200041	N/A	N/A		1033686	1010585	451	2,812	7	
KUBOTA®															
L4240/L4740		X	X	X	2200003H2	2200003	N/A	N/A		1023627	1029450	433	1,758		
L4330/L4630/L5030	X	X	X		111772D1	111772	1023511	included w/valve		N/A	1006492	402	2,461	2	
L4330/L4630/L5030	X	X		X	111772C1	111772	1023510	1023550		N/A	1006492	407	3,095		
L5040/L5240/L5740		X	X	X	2200003H	2200003	N/A	N/A		1023627	1006492	414	1,603		
MX5100	X	X	X		2200003D2	2200003	1023509	1029005		N/A	1027854	442	2,590		
LANDINI®															
1-55		X	X	X	2200041H	2200041	N/A	N/A		1033686	1010585	451	2,812	7	
MASSEY FERGUSON®															
1547/1552		X	X	X	211714H1	211714	N/A	N/A		1023606	1013288	388	1,809	4	
2605/2615		X	X		2200023D	2200023	1023512	1032897		N/A	1032895	570	3,316		
2605/2615	X		X		2200024D	2200024	1023512	1032897		N/A	1033058	624	3,152		
2625	X		X		2200026D	2200026	1023512	1032897		N/A	1033059	606	3,359		
McCORMICK®															
X10.55		X	X	X	2200041H	2200041	N/A	N/A		1033686	1010585	451	2,812	7	

** Completing Kits that end in D* contain mounting kit, Woods Hydraulic Package (2-spool direct control valve and hose kit) and grill guard, if available.

Completing Kits that end in C* contain mounting kit, Woods Hydraulic Package (2-spool cable control valve and hose kit) and grill guard, if available.

Completing Kits that end in H or H* contain mounting kit, 4-hose kit (to connect loader to OEM remote valve) and grill guard, if available.

A = Available

N/A = Not Available

Miscellaneous – Loader Model LC114

Part No.	Description	Shipping Wt. (lbs.)	Suggested List Price
1005093	Paint – Case of 12 Spray Cans – Red to match Case IH®	13	\$ 178.00
1005094	Paint – Case of 12 Spray Cans – Yellow to match Cub Cadet®	13	178.00
1005095	Paint – Case of 12 Spray Cans – Blue to match New Holland® Vibrant Blue	13	178.00
1005096	Paint – Case of 12 Spray Cans – Blue to match New Holland Ford® Blue	13	178.00
1005097	Paint – Case of 12 Spray Cans – Orange to match Kubota®	13	178.00
1005098	Paint – Case of 12 Spray Cans – Red to match Massey Ferguson®	13	178.00

COMPACT SERIES LOADERS – TRACTOR NOTES**SECTION 4****Tractor Notes – Loader Model LC114**

1. Requires John Deere® Selective Control Valve (SCV) and Woods® hose kit to connect to tractor mid-remote couplers.
2. 2-function valve kit 1023511 includes all hoses and fittings to connect to tractor hydraulic system.
3. Tractor must be equipped with Kioti® mid-remote cable valve and couplers.
4. Tractor must be equipped with OEM loader valve and remote quick couplers.
5. Hose kit 1023625 for tractor remotes does not include quick couplers.
6. Tractor must be equipped with Kioti mid-remote cable valve and couplers to use hose kit 1025251.
7. Hose kit connects to OEM loader valve supplied with tractor.

LC114 Features and Specifications

FEATURES:

Curved loader boom
Midmount loader boom attachment
Fast D-Tach loader
Parking stands – stored in loader boom cross tube
Rod bucket level indicator
4-bar bucket linkage
Manual tube on the loader boom cross tube
Optional Quick Attachment Coupler System
2-year warranty

SPECIFICATIONS:

Fits 30 – 50 hp tractors (2WD & FWA)	Breakout at 19.7 inches ahead of bucket pivot pins: 3400 lbs.
Lift height: 114 inches	Maximum digging depth: 5 inches
Lift cylinders: 2.48 inches; Bucket cylinders: 2.36 inches	Dump angle: 50 degrees
Lift capacity at bucket pins: 2400 lbs.	Roll back angle: 35 degrees
Lift capacity at 19.7 inches ahead of bucket pivot pins: 1950 lbs.	Reach: 32 inches
Breakout at bucket pins: 4600 lbs.	Pivot pins diameter: 1.25 inches

To Order a Complete Loader by Ordering Individual Components

- Find the tractor brand and model you are attempting to fit in the **Tractor/Loader Adaptability Chart**.
- Select the loader model you wish to price (each model belongs to a Loader Series, i.e., Compact Series).
- Go to the appropriate Loader Model **Component Order** tab.
- Find the tractor brand / model you are fitting in the **Tractor Reference** section – part numbers needed to configure a loader are listed (except loader frame and bucket).
- Order loader frame.
- Order front-end attachment(s).
- Order mounting kit.
- Order valve kit.
- Order hose kit OR 4-hose kit to connect to OEM remote valve.
- Order grill guard.

Be sure to refer to the “Notes” column; Tractor Notes are found at the end of each tabbed section in the Loader price pages. Prices for each component are listed in the appropriate component section. If you have any questions, please contact Woods® Dealer Services.

EXAMPLE:

When ordering a loader to fit a Kubota® tractor, model L4630 CAB, do the following:

1. The Kubota L4630 CAB tractor is fit by two Woods loader models: LC108 and LC114. (Reference the Tractor/Loader Adaptability Chart.) Let's select the LC114.
2. Flip to the LC114 **Components** tab and go to the Tractor Reference Chart for components to order to complete the LC114 Loader.
 - a. **Section 1** – Order the loader frame #2211444 (Orange to match Kubota).
 - b. **Section 2** – Order the bucket #2260066 (66" pin attachment bucket).
Note: If selecting a quick change system, order Quick Attachment Coupler System and buckets compatible with the Quick Attachment Coupler System. Other front end attachments may be ordered within this section.
 - c. **Section 3** – Order the mounting kit #111772.
 - d. **Section 4** – Order the valve kit #1013507.
 - e. **Section 5** – Order the hose kit #1023550 OR the 4-hose kit # (N/A).
 - f. **Section 6** – Order grill guard #1006492.

COMPACT SERIES LOADERS – MODEL LC114 TRACTOR REFERENCE CHART

Tractor Brand / Model	Fits Tractor Type				Mount Kit	Hydraulic Package		OR	4-Hose Kit	Grill Guard	OEM Mid-Mower Compat.	Tractor Notes
	2WD	4WD	ROPS	CAB		2-Spool Valve Kit	Hoses for Loader Valve		Connects to OEM Valve			
AGCO®												
ST47A/ST52A		X	X		211714	N/A	N/A		1023606	1013288		4
CASE IH®												
DX48/DX55	X	X	X		2200002	1023509	1023626		1023625	1007768		4, 5
Farmall®45A/55A	X	X	X		2200031	1023509	1024328		N/A	1033140		
Farmall 55/60	X	X	X		2200002	1023509	1023626		1023625	1007768		4, 5
CHALLENGER®												
MT285B/MT295B		X	X	X	211714	N/A	N/A		1023606	1013288		4
CUB CADET®												
8454		X	X		111774	1023509	1023532		1028846	1002626		
FORD® & NEW HOLLAND®												
2120	X	X	X		111735	1023509	1023535		N/A	46775		
3230/3430/3930	X		X		111764	1023509	1023538		N/A	1001412		
T2410/T2420	X	X	X		2200002	1023509	1023626		1023625	1007768		4, 5
TC48DA/TC55DA	X	X	X		2200002	1023509	1023626		1023625	1007768		4, 5
TT45A/TT50A	X		X		2200011	1023509	1024328		N/A	1028289		
Workmaster 45/55	X	X	X		2200031	1023509	1024328		N/A	1033140		
JOHN DEERE®												
4120/4320/4520/4720	X	X	X		211713	N/A	N/A		1023615	1014864		1
KIOTI®												
DK40SE/DK45SE/DK50SE		X	X		2200007	N/A	N/A		1025739	1025236		6
DK45S		X	X		211717	N/A	N/A		1023618	1016376		3
DK55		X	X	X	2200041	N/A	N/A		1033686	1010585		7
KUBOTA®												
L4240/L4740		X	X	X	2200003	N/A	N/A		1023627	1029450		
L4330/L4630/L5030	X	X	X		111772	1023511	included w/valve		N/A	1006492		2
L4330/L4630/L5030	X	X		X	111772	1023510	1023550		N/A	1006492		
L5040/L5240/L5740		X	X	X	2200003	N/A	N/A		1023627	1006492		
MX5100	X	X	X		2200003	1023509	1029005		N/A	1027854		
LANDINI®												
1-55		X	X	X	2200041	N/A	N/A		1033686	1010585		7
MASSEY FERGUSON®												
1547/1552		X	X	X	211714	N/A	N/A		1023606	1013288		4
2605/2615		X	X		2200023	1023512	1032897		N/A	1032895		
2605/2615	X		X		2200024	1023512	1032897		N/A	1033058		
2625	X		X		2200026	1023512	1032897		N/A	1033059		
McCORMICK®												
X10.55		X	X	X	2200041	N/A	N/A		1033686	1010585		7

Note: If listed, 4-hose kit for use with tractor remotes may be ordered instead of Woods valve and hose kit for loader valve.

N/A = Not Available

Frames – Loader Model LC114

Part No.	Description	Shipping Wt. (lbs.)	Suggested List Price
2211440	Black (Universal)	563	\$ 4,270.00
2211441	Green to match John Deere®	563	4,270.00
2211442	Red to match Case IH®	563	4,270.00
2211443	Blue to match Ford® & New Holland®	563	4,270.00
2211444	Orange to match Kubota®	563	4,270.00
2211445	Miscellaneous Color (Contact Dealer Service for Price and Availability)	563	4,270.00
2211446	Red to match Massey Ferguson®	563	4,270.00
2211447	Vibrant Blue to match New Holland	563	4,270.00
2211448	Yellow to match Cub Cadet®	563	4,270.00
2211449	Red to match Branson®	563	4,270.00
2211450	Red to match Mahindra®	563	4,270.00
2211451	Red to match McCormick®	563	4,270.00

COMPACT SERIES LOADERS – BUCKETS & FRONT-END ATTACHMENTS

SECTION 2

Buckets & Front End Attachments – Loader Model LC114

STANDARD BUCKETS – PIN ATTACHMENT – Or choose Quick Attachment Coupler in sections below

Part No.	Width (in.)	Description	Capacity	Shipping Wt. (lbs.)	Suggested List Price	Qty. of 5 List Price *
2260066	66	Heavy-Duty Loader Bucket – Pin Attachment	12.8 cu. ft.	269	\$ 1,020.00	—
2260072	72	Heavy-Duty Loader Bucket – Pin Attachment	14.0 cu. ft.	285	1,092.00	—

OPTIONAL QUICK ATTACHMENT COUPLER SYSTEM – Order in place of Standard Buckets above

2350000	Quick Attachment Coupler Assembly			84	\$ 651.00	—
---------	-----------------------------------	--	--	----	-----------	---

OPTIONAL BUCKETS – Compatible with Quick Attachment Coupler System

2270060	60	Heavy-Duty Loader Bucket – Quick Attachment Coupler System	11.6 cu. ft.	239	\$ 950.00	—
2270066	66	Heavy-Duty Loader Bucket – Quick Attachment Coupler System	12.8 cu. ft.	258	1,020.00	—
2270072	72	Heavy-Duty Loader Bucket – Quick Attachment Coupler System	14.0 cu. ft.	274	1,092.00	—
2270078	78	Heavy-Duty Loader Bucket – Quick Attachment Coupler System	16.2 cu. ft.	322	1,160.00	—

Note: Loader buckets are punched for optional Bolt-on Cutting Edges.

OPTIONAL BOLT-ON EDGES AND TINE KITS

46382	60	Bolt-On Edge for 60" Buckets, includes hardware		46	\$ 142.00	—
46383	66	Bolt-On Edge for 66" Buckets, includes hardware		50	163.00	—
46384	72	Bolt-On Edge for 72" Buckets, includes hardware		55	186.00	—
1033818	78	Bolt-On Edge for 78" Buckets, includes hardware		61	271.00	—
46380		Tine Kit for 60", 66", 72" Buckets, includes hardware (Must drill holes in bucket)		33	142.00	—

SKID STEER ATTACHMENTS – Compatible with Quick Attachment Coupler System

52756	60	MF6000 – 60" Manure Fork		349	\$ 2,070.00	—
52757	66	MF6600 – 66" Manure Fork		377	2,209.00	—
52753	50	GF3000 – Grapple Attachment for Manure Forks		260	2,209.00	—
1037170		BS3044S – Single Bale Spear w/2 Stabilizer Spikes – Skid Steer Quick Attach	3000 lbs.	198	690.00	\$ 621.00
1037171		BS6044S – Double Bale Spear – Skid Steer Quick Attach	6000 lbs.	231	840.00	756.00
1037172		BS7038S – Triple Bale Spear – Skid Steer Quick Attach	7000 lbs.	252	980.00	882.00
1022532		PF2042S – Pallet Fork with 42" Pivoting Tines	2000 lbs.	280	1,013.00	912.00
1038172		PF4436S – Pallet Fork with 36" Lockdown Tines	4400 lbs.	394	1,079.00	971.00
1038173		PF4442S – Pallet Fork with 42" Lockdown Tines	4400 lbs.	409	1,110.00	999.00
1038174		PF4448S – Pallet Fork with 48" Lockdown Tines	4400 lbs.	428	1,129.00	1,016.00

* Order 5 units in any combination of bale spears or any combination of pallet forks to receive an additional 10% discount.

OPTIONAL WEIGHT BOX FOR THREE-POINT HITCH

1006124	Weight Box for Rear Ballast – Fits Category 1, 3-Point Hitch		6.0 cu. ft.	113	\$ 473.00	—
---------	--	--	-------------	-----	-----------	---

Mounting Kits – Loader Model LC114

Mount Kit Part No.	Tractor Brand / Model	Fits Tractor Type				Ship Wt. (lbs.)	Suggested List Price
		2WD	4WD	ROPS	CAB		
AGCO®							
211714	ST47A/ST52A		X	X		334	\$ 1,406.00
CASE IH®							
2200002	DX48/DX55	X	X	X		276	1,527.00
2200031	Farmall® 45A/55A	X	X	X		361	1,527.00
2200002	Farmall 55/60	X	X	X		276	1,527.00
CHALLENGER®							
211714	MT285B/MT295B		X	X	X	334	1,406.00
CUB CADET®							
111774	8454		X	X		327	1,124.00
FORD® & NEW HOLLAND®							
111735	2120	X	X	X		321	1,476.00
111764	3230/3430/3930	X		X		236	1,267.00
2200002	T2410/T2420	X	X	X		276	1,527.00
2200002	TC48DA/TC55DA	X	X	X		276	1,527.00
2200011	TT45A/TT50A	X		X		340	1,527.00
2200031	Workmaster 45/55	X	X	X		361	1,527.00
JOHN DEERE®							
211713	4120/4320/4520/4720	X	X	X		272	914.00

Mount Kit Part No.	Tractor Brand / Model	Fits Tractor Type				Ship Wt. (lbs.)	Suggested List Price
		2WD	4WD	ROPS	CAB		
KIOTI®							
2200007	DK40SE/DK45SE/DK50SE		X	X		386	\$ 2,015.00
211717	DK45S		X	X		309	1,406.00
2200041	DK55		X	X	X	376	2,096.00
KUBOTA®							
2200003	L4240/L4740/L5040/L5240/L5740		X	X	X	347	1,092.00
111772	L4330/L4630/L5030	X	X	X		313	1,124.00
111772	L4330/L4630/L5030	X	X		X	313	1,124.00
2200003	MX5100	X	X	X		347	1,092.00
LANDINI®							
2200041	1-55		X	X	X	376	2,096.00
MASSEY FERGUSON®							
211714	1547/1552		X	X	X	334	1,406.00
2200023	2605/2615		X	X		441	1,853.00
2200024	2605/2615	X		X		495	1,689.00
2200026	2625	X		X		479	1,950.00
McCORMICK®							
2200041	X10.55		X	X	X	376	2,096.00

COMPACT SERIES LOADERS – LOADER VALVE KITS

SECTION 4

Valve Kits – Loader Model LC114

Part No.	Description	Shipping Wt. (lbs.)	Suggested List Price
1023509	Joystick Valve Kit – 2500 psi relief – Direct Control, Series Regenerative	39	\$ 1,092.00
1023510	Joystick Valve Kit – 2500 psi relief – Fender Mount Cable Control, Series Regenerative	38	1,476.00
1023511	Joystick Valve Kit – 2500 psi relief – Direct Control, Series Regenerative – Complete for Kubota L30 Series (includes hoses)	39	1,124.00
1023512	Joystick Valve Kit – 2500 psi relief – Direct Control, Series Regenerative	37	973.00

Hose Kits – Loader Model LC114

Part No.	Description	Shipping Wt. (lbs.)	Suggested List Price
1023532	Hose Kit – Power Beyond, Cub Cadet® 8454, reference 111774 mount kit	8	\$ 282.00
1023535	Hose Kit – Power Beyond, Ford® & New Holland® 2120, reference 111735 mount kit	8	282.00
1023538	Hose Kit – Power Beyond with Hydraulic Block, Ford & New Holland 3230/3430/3930, reference 111764 mount kit	21	492.00
1023550	Hose Kit – Power Beyond, Kubota® L4330/L4630/L5030 with Cab, reference 111772 mount kit	11	282.00
1023606	Hose Kit – (4) 54" Agco® ST47A/ST52A, Challenger® MT285B/MT295B, Massey Ferguson® 1547/1552, reference 211714 mount kit	7	213.00
1023615	Hose Kit – (4) 46" For John Deere® 4000 series tractors (use with JD SCV valve)	10	282.00
1023618	Hose Kit – (4) 54" Kioti® DK45S for tractor hydraulics, reference 211717 mount kit	12	282.00
1023625	Hose Kit – (4) 84" Connects loader feedlines to tractor remote couplers, reference 2200002 mount kit	10	142.00
1023626	Hose Kit – Power Beyond, Case IH® and Ford & New Holland, reference 2200002 mount kit	10	150.00
1023627	Hose Kit – (4) 54" Connects loader feedlines to tractor remote couplers, reference 2200003 mount kit	9	298.00
1024328	Hose Kit – Power Beyond, New Holland TT45A/TT50A, Workmaster 45/55 and Case IH Farmall® 45A/55A, reference 2200011/2200031 mount kits	8	163.00
1025251	Hose Kit – For Kioti DK40SE/DK45SE/DK50SE, reference 2200007 mount kit	12	414.00
1025739	Hose Kit – (4) 60" For Kioti DK40SE/DK45SE/DK50SE, reference 2200007 mount kit	9	373.00
1028846	Hose Kit – (4) 116" Connects loader feedlines to tractor remote couplers	27	387.00
1029005	Hose Kit – Power Beyond, Kubota MX5100, reference 2200003 mount kit	7	178.00
1032897	Hose Kit – Massey Ferguson 2605/2615/2625, reference 2200023/24/26 mount kits	64	294.00
1033686	Hose Kit – Kioti DK55, Landini® 1-55 and McCormick® X10.55, reference 2200041 mount kit	9	362.00

COMPACT SERIES LOADERS – GRILL GUARDS

SECTION 6

Grill Guards – Loader Model LC114

Part No.	Description	Shipping Wt. (lbs.)	Suggested List Price
46775	Grill Guard – Ford & New Holland 2120, reference 111735 mount kit	30	\$ 142.00
1001412	Grill Guard – Ford & New Holland 3230/3430/3930, reference 111764 mount kit	49	142.00
1002626	Grill Guard – Cub Cadet 8454, reference 111774 mount kit	51	213.00
1006492	Grill Guard – Kubota L-Series tractors, reference 111772/2200003 mount kits	55	213.00
1007768	Grill Guard – Case IH and Ford & New Holland, reference 2200002 mount kit	24	178.00
1010585	Grill Guard – Kioti DK55, Landini 1-55 and McCormick X10.55, reference 2200041 mount kit	66	354.00
1013288	Grill Guard – Agco ST47A/ST52A, Challenger MT285B/MT295B, Massey Ferguson 1547/1552, reference 211714 mount kit	47	190.00
1014864	Grill Guard – John Deere 4120/4320/4520/4720, reference 211713 mount kit	36	213.00
1016376	Grill Guard – Kioti DK45S, reference 211717 mount kit	40	213.00
1025236	Grill Guard – Kioti DK40SE/DK45SE/DK50SE, reference 2200007 mount kit	39	269.00
1027854	Grill Guard – Kubota MX5100, reference 2200003 mount kit	45	228.00
1028289	Grill Guard – New Holland TT45A/TT50A, reference 2200011 mount kit	20	151.00
1029450	Grill Guard – Kubota L4240/L4740, reference 2200003 mount kit	77	368.00
1032895	Grill Guard – Massey Ferguson 2605/2615 (4WD), reference 2200023 mount kit	28	196.00
1033058	Grill Guard – Massey Ferguson 2605/2615 (2WD), reference 2200024 mount kit	28	196.00
1033059	Grill Guard – Massey Ferguson 2625, reference 2200026 mount kit	26	142.00
1033140	Grill Guard – Case IH Farmall 45A/55A and New Holland Workmaster 45/55, reference 2200031 mount kit	33	178.00

Miscellaneous – Loader Model LC114

Part No.	Description	Shipping Wt. (lbs.)	Suggested List Price
1005093	Paint – Case of 12 Spray Cans – Red to match Case IH®	13	\$ 178.00
1005094	Paint – Case of 12 Spray Cans – Yellow to match Cub Cadet®	13	178.00
1005095	Paint – Case of 12 Spray Cans – Blue to match New Holland® Vibrant Blue	13	178.00
1005096	Paint – Case of 12 Spray Cans – Blue to match New Holland Ford® Blue	13	178.00
1005097	Paint – Case of 12 Spray Cans – Orange to match Kubota®	13	178.00
1005098	Paint – Case of 12 Spray Cans – Red to match Massey Ferguson®	13	178.00

COMPACT SERIES LOADERS – TRACTOR NOTES**SECTION 8****Tractor Notes – Loader Model LC114**

1. Requires John Deere® Selective Control Valve (SCV) and Woods® hose kit to connect to tractor mid-remote couplers.
2. 2-function valve kit 1023511 includes all hoses and fittings to connect to tractor hydraulic system.
3. Tractor must be equipped with Kioti® mid-remote cable valve and couplers.
4. Tractor must be equipped with OEM loader valve and remote quick couplers.
5. Hose kit 1023625 for tractor remotes does not include quick couplers.
6. Tractor must be equipped with Kioti mid-remote cable valve and couplers to use hose kit 1025251.
7. Hose kit connects to OEM loader valve supplied with tractor.

LU126 Features and Specifications

FEATURES:

- Curved loader boom
- Midmount loader boom attachment
- Fast D-Tach loader
- Parking stands – stored in loader boom cross tube
- Rod bucket level indicator
- 4-bar bucket linkage
- Manual tube on the loader boom cross tube
- Optional Quick Attachment Coupler System
- Construction grade buckets
- 2-year warranty



SPECIFICATIONS:

- Fits 45 – 90 hp tractors (2WD & FWA)
- Lift height: 126 inches
- Lift cylinders: 2.48 inches; Bucket cylinders: 2.76 inches
- Lift capacity at bucket pins: 3000 lbs.
- Lift capacity at 31.5 inches ahead of bucket pivot pins: 1970 lbs.
- Capacities rated at 2750 psi

- Breakout at bucket pins: 4650 lbs.
- Breakout at 31.5 inches ahead of bucket pivot pins: 3250 lbs.
- Maximum digging depth: 5 inches
- Dump angle: 50 degrees
- Roll back angle: 35 degrees
- Reach at maximum height: 29 inches
- Pivot pins diameter: 1.25 inches

To Order a Complete Loader Using the Woods® Quick Order System

- Find the tractor brand and model you are attempting to fit in the **Tractor/Loader Adaptability Chart**.
- Select the loader model you wish to price (each model belongs to a Loader Series, i.e., Utility Series).
- Go to the appropriate Loader Model **Quick Order** tab.
- Find the tractor brand / model you are fitting.
- Order loader frame.
- Order pin-on bucket or Quick Attachment Carrier System and quick attach bucket.
- Order completing kit.

Be sure to refer to the “Notes” column; Tractor Notes are found at the end of each tabbed section in the Loader price pages. Prices for each component are listed in the appropriate component section. If you have any questions, please contact Woods Dealer Services.

EXAMPLE

When ordering a loader to fit a Massey Ferguson® tractor, model 451 4WD ROPS, do the following:

1. The Massey Ferguson 451 4WD ROPS tractor is fit by one Woods loader model: LU126. (Reference Tractor/Loader Adaptability Chart.)
2. Flip to the LU126 **Quick Order** tab.
3. **Section 1** – Select tractor brand and model that the LU126 loader is to fit: Massey Ferguson 451 4WD ROPS.
 - a. Order the loader frame #2312656 (Red to match Massey Ferguson).
 - b. Order the bucket #2360072 (72” pin attachment bucket).
Note: If selecting a quick change system, order Quick Attachment Coupler System and 72” QA bucket.
 - c. Order the completing kit #211810D2. Completing kit includes loader mount, valve, hose kit and grill guard (if available).
List price of complete loader is \$9,678; total weight is 1632 lbs.

Unless noted, each “Loader Complete” STANDARD configuration includes loader, bucket, and completing kit (mount, hydraulics and grill guard, if grill guard is available). Any deviation from standard configuration will require ordering components individually.

Quick Order Section – Loader Model LU126

Tractor Brand / Model	Loader Pkg. Type	Fits Tractor Type				Loader Frame Color	Quick Order Part Numbers						Ship Wt. (lbs.)	Suggested List Price	Tractor Notes
		2WD	4WD	ROPS	CAB		LU126 Loader Frame	Bucket Width (in.)	Pin-On Bucket	Quick Attach. Coupler	QA Bucket	Completing Kit *			
AGCO®															
GT45A/GT55A	Pin-on	X	X	X		Black	2312650	72	2360072			211818C2	1820	\$ 10,073	
GT45A/GT55A	QA	X	X	X		Black	2312650	72		2350000	2370072	211818C2	1906	10,724	
GT45A/GT55A	Pin-on	X	X		X	Black	2312650	72	2360072			211818C2	1820	10,073	
GT45A/GT55A	QA	X	X		X	Black	2312650	72		2350000	2370072	211818C2	1906	10,724	
GT65A/GT75A	Pin-on	X	X	X		Black	2312650	72	2360072			211821C2	1879	10,073	
GT65A/GT75A	QA	X	X	X		Black	2312650	72		2350000	2370072	211821C2	1965	10,724	
GT65A/GT75A	Pin-on	X	X		X	Black	2312650	72	2360072			211821C2	1879	10,073	
GT65A/GT75A	QA	X	X		X	Black	2312650	72		2350000	2370072	211821C2	1965	10,724	
CASE IH®															
385/395/485/495	Pin-on	X	X	X		Red	2312652	72	2360072			111830D2	1529	9,152	28
385/395/485/495	QA	X	X	X		Red	2312652	72		2350000	2370072	111830D2	1615	9,803	28
454	Pin-on	X		X		Red	2312652	72	2360072			111830D2	1529	9,152	28
454	QA	X		X		Red	2312652	72		2350000	2370072	111830D2	1615	9,803	28
464	Pin-on	X		X		Red	2312652	72	2360072			111830D2	1529	9,152	28
464	QA	X		X		Red	2312652	72		2350000	2370072	111830D2	1615	9,803	28
484/84 Hydro	Pin-on	X		X		Red	2312652	72	2360072			111830D2	1529	9,152	28
484/84 Hydro	QA	X		X		Red	2312652	72		2350000	2370072	111830D2	1615	9,803	28
574/584/684	Pin-on	X		X		Red	2312652	72	2360072			111830D3	1529	9,208	28
574/584/684	QA	X		X		Red	2312652	72		2350000	2370072	111830D3	1615	9,859	28
585/380B	Pin-on	X		X		Red	2312652	72	2360072			111830D2	1529	9,152	3, 28
585/380B	QA	X		X		Red	2312652	72		2350000	2370072	111830D2	1615	9,803	3, 28
585/595/3230	Pin-on	X	X	X		Red	2312652	72	2360072			111833D2	1467	9,152	3, 28
585/595/3230	QA	X	X	X		Red	2312652	72		2350000	2370072	111833D2	1553	9,803	3, 28
674	Pin-on	X		X		Red	2312652	72	2360072			111830D2	1529	9,152	28
674	QA	X		X		Red	2312652	72		2350000	2370072	111830D2	1615	9,803	28
3220	Pin-on	X	X	X		Red	2312652	72	2360072			111830D2	1529	9,152	28
3220	QA	X	X	X		Red	2312652	72		2350000	2370072	111830D2	1615	9,803	28
C50/C60	Pin-on	X	X	X		Red	2312652	72	2360072			111830D2	1529	9,152	28
C50/C60	QA	X	X	X		Red	2312652	72		2350000	2370072	111830D2	1615	9,803	28
C70/C80	Pin-on	X	X	X		Red	2312652	72	2360072			111833D2	1467	9,152	28
C70/C80	QA	X	X	X		Red	2312652	72		2350000	2370072	111833D2	1553	9,803	28
CX50/CX60	Pin-on	X	X	X	X	Red	2312652	72	2360072			111865C2	1566	9,504	4, 28
CX50/CX60	QA	X	X	X	X	Red	2312652	72		2350000	2370072	111865C2	1652	10,155	4, 28
CX70/CX80	Pin-on	X	X	X	X	Red	2312652	72	2360072			111864C2	1573	9,575	4, 28
CX70/CX80	QA	X	X	X	X	Red	2312652	72		2350000	2370072	111864C2	1659	10,226	4, 28
Farmall® 65A/75A	Pin-on	X	X	X		Red	2312652	72	2360072			2300031D	TBD	9,464	
Farmall 65A/75A	QA	X	X	X		Red	2312652	72		2350000	2370072	2300031D	TBD	10,115	
Farmall 65C/75C	Pin-on	X	X	X	X	Red	2312652	72	2360072			2300020H	1583	8,390	30, 33
Farmall 65C/75C	QA	X	X	X	X	Red	2312652	84		2350000	2370084	2300020H	1712	9,146	30, 33
Farmall 70/80	Pin-on	X	X	X	X	Red	2312652	72	2360072			2300013D	1579	9,680	31
Farmall 70/80	QA	X	X	X	X	Red	2312652	72		2350000	2370072	2300013D	1665	10,331	31

* Completing Kits that end in D/D2/D3 contain mounting kit, Woods Hydraulic Package (2-spool direct control valve and hose kit) and grill guard, if available.
 Completing Kits that end in C2 or C3 contain mounting kit, Woods Hydraulic Package (2-spool cable control valve and hose kit) and grill guard, if available.
 Completing Kits that end in H, H2 or H3 contain mounting kit, 4-hose kit (to connect loader to OEM remote valve) and grill guard, if available.
 Completing Kits that end in HM2 contain mounting kit, 4-hose kit (to connect loader to OEM midmount valve) and grill guard, if available.
 Completing Kits that end in HR2 contain mounting kit, 4-hose kit (to connect loader to tractor rear remotes) and grill guard, if available.

Unless noted, each “Loader Complete” STANDARD configuration includes loader, bucket, and completing kit (mount, hydraulics and grill guard, if grill guard is available). Any deviation from standard configuration will require ordering components individually.

Quick Order Section – Loader Model LU126 (Continued)

Tractor Brand / Model	Loader Pkg. Type	Fits Tractor Type				Loader Frame Color	Quick Order Part Numbers					Ship Wt. (lbs.)	Suggested List Price	Tractor Notes	
		2WD	4WD	FOPS	CAB		LU126 Loader Frame	Bucket Width (in.)	Pin-On Bucket	Quick Attach. Coupler	QA Bucket				Completing Kit *
CASE IH® (Continued)															
Farmall® 85/95	Pin-on	X	X	X	X	Red	2312652	72	2360072			2300017D	1594	\$ 9,470	29, 31
Farmall 85/95	QA	X	X	X	X	Red	2312652	84		2350000	2370084	2300017D	1723	10,226	29, 31
Farmall 85C/95C	Pin-on	X	X	X		Red	2312652	72	2360072			2300016H	1597	8,390	30, 31
Farmall 85C/95C	QA	X	X	X		Red	2312652	84		2350000	2370084	2300016H	1726	9,146	30, 31
Farmall 85C/95C (Pedestal Mount)	Pin-on	X	X	X	X	Red	2312672	72	2360072			2300021H	1749	9,507	30, 34
Farmall 85C/95C (Pedestal Mount)	QA	X	X	X	X	Red	2312672	84		2350000	2370084	2300021H	1878	10,263	30, 34
Farmall 85U/95U/105U	Pin-on	X	X	X	X	Red	2312652	72	2360072			2300009H3	1563	8,383	30, 31
Farmall 85U/95U/105U	QA	X	X	X	X	Red	2312652	84		2350000	2370084	2300009H3	1692	9,139	30, 31
Farmall 85U/95U/105U (Pedestal Mount)	Pin-on	X	X	X	X	Red	2312672	72	2360072			2300012H	1809	9,500	32
Farmall 85U/95U/105U (Pedestal Mount)	QA	X	X	X	X	Red	2312672	84		2350000	2370084	2300012H	1938	10,256	32
Farmall 90/95	Pin-on	X	X	X	X	Red	2312652	72	2360072			2300014D	TBD	9,680	29, 39
Farmall 90/95	QA	X	X	X	X	Red	2312652	84		2350000	2370084	2300014D	TBD	10,436	29, 39
JX55/JX65/JX75/JX85 (Turbo & Non-Turbo versions)	Pin-on	X	X	X	X	Red	2312652	72	2360072			111889C2	1730	10,241	16
JX55/JX65/JX75/JX85 (Turbo & Non-Turbo versions)	QA	X	X	X	X	Red	2312652	72		2350000	2370072	111889C2	1816	10,892	16
JX60/JX70/JX80/JX90	Pin-on	X	X	X	X	Red	2312652	72	2360072			111889C2	1730	10,241	
JX60/JX70/JX80/JX90	QA	X	X	X	X	Red	2312652	72		2350000	2370072	111889C2	1816	10,892	
JX60/JX70/JX80/JX90	Pin-on	X	X	X	X	Red	2312652	72	2360072			111889H2	1700	8,940	
JX60/JX70/JX80/JX90	QA	X	X	X	X	Red	2312652	72		2350000	2370072	111889H2	1786	9,591	
JX80U	Pin-on	X	X	X	X	Red	2312652	72	2360072			111885H2	1515	7,993	13
JX80U	QA	X	X	X	X	Red	2312652	72		2350000	2370072	111885H2	1601	8,644	13
JX90U/JX100U	Pin-on	X	X	X	X	Red	2312652	72	2360072			111885H2	1515	7,993	13
JX90U/JX100U	QA	X	X	X	X	Red	2312652	72		2350000	2370072	111885H2	1601	8,644	13
JX95	Pin-on	X	X	X	X	Red	2312652	72	2360072			111890C2	1580	9,470	16
JX95	QA	X	X	X	X	Red	2312652	72		2350000	2370072	111890C2	1666	10,121	16
JX1060C/JX1070C/JX1075C	Pin-on	X	X	X		Red	2312652	72	2360072			111897D2	1645	9,468	5, 15, 17
JX1060C/JX1070C/JX1075C	QA	X	X	X		Red	2312652	72		2350000	2370072	111897D2	1731	10,119	5, 15, 17
JX1060C/JX1070C/JX1075C	Pin-on	X	X		X	Red	2312652	72	2360072			111897H2	1580	8,390	5, 15, 17
JX1060C/JX1070C/JX1075C	QA	X	X		X	Red	2312652	72		2350000	2370072	111897H2	1666	9,041	5, 15, 17
JX1080U	Pin-on	X	X	X	X	Red	2312652	72	2360072			2300009H2	1499	8,344	18
JX1080U	QA	X	X	X	X	Red	2312652	72		2350000	2370072	2300009H2	1585	8,995	18
JX1090U/JX1100U	Pin-on	X	X	X	X	Red	2312652	72	2360072			2300009H2	1499	8,344	18
JX1090U/JX1100U	QA	X	X	X	X	Red	2312652	72		2350000	2370072	2300009H2	1585	8,995	18

* Completing Kits that end in D/D2/D3 contain mounting kit, Woods Hydraulic Package (2-spool direct control valve and hose kit) and grill guard, if available.
 Completing Kits that end in C2 or C3 contain mounting kit, Woods Hydraulic Package (2-spool cable control valve and hose kit) and grill guard, if available.
 Completing Kits that end in H, H2 or H3 contain mounting kit, 4-hose kit (to connect loader to OEM remote valve) and grill guard, if available.
 Completing Kits that end in HM2 contain mounting kit, 4-hose kit (to connect loader to OEM midmount valve) and grill guard, if available.
 Completing Kits that end in HR2 contain mounting kit, 4-hose kit (to connect loader to tractor rear remotes) and grill guard, if available.

Unless noted, each "Loader Complete" STANDARD configuration includes loader, bucket, and completing kit (mount, hydraulics and grill guard, if grill guard is available). Any deviation from standard configuration will require ordering components individually.

Quick Order Section – Loader Model LU126 (Continued)

Tractor Brand / Model	Loader Pkg. Type	Fits Tractor Type				Loader Frame Color	Quick Order Part Numbers						Ship Wt. (lbs.)	Suggested List Price	Tractor Notes	
		2WD	4WD	ROPS	CAB		LU126 Loader Frame	Bucket Width (in.)	Pin-On Bucket	Quick Attach. Coupler	QA Bucket	Completing Kit *				
CHALLENGER®																
MT425B/MT445B	Pin-on	X	X	X	X	Black	2312650	72	2360072			211822H2	1593	\$ 8,346	23	
MT425B/MT445B	QA	X	X	X	X	Black	2312650	72		2350000	2370072	211822H2	1679	8,997	23	
FORD® & NEW HOLLAND®																
2000/3000 (1968 & Later)	Pin-on	X		X		Fd-NH Blue	2312653	72	2360072			111877D2	1609	9,361	12	
2000/3000 (1968 & Later)	QA	X		X		Fd-NH Blue	2312653	72		2350000	2370072	111877D2	1695	10,012	12	
2310/2610/3610	Pin-on	X		X		Fd-NH Blue	2312653	72	2360072			111877D2	1609	9,361	12	
2310/2610/3610	QA	X		X		Fd-NH Blue	2312653	72		2350000	2370072	111877D2	1695	10,012	12	
2600/3600	Pin-on	X		X		Fd-NH Blue	2312653	72	2360072			111877D2	1609	9,361	12	
2600/3600	QA	X		X		Fd-NH Blue	2312653	72		2350000	2370072	111877D2	1695	10,012	12	
2810/2910/3910	Pin-on	X		X		Fd-NH Blue	2312653	72	2360072			111877D2	1609	9,361	2, 12	
2810/2910/3910	QA	X		X		Fd-NH Blue	2312653	72		2350000	2370072	111877D2	1695	10,012	2, 12	
2810/2910/3910	Pin-on		X	X		Fd-NH Blue	2312653	72	2360072			111876D2	1526	9,185	11	
2810/2910/3910	QA		X	X		Fd-NH Blue	2312653	72		2350000	2370072	111876D2	1612	9,836	11	
3010S	Pin-on	X	X	X		Fd-NH Blue	2312653	72	2360072			111878D2	1526	9,008		
3010S	QA	X	X	X		Fd-NH Blue	2312653	72		2350000	2370072	111878D2	1612	9,659		
3230/3430/3930/4630	Pin-on	X	X	X		Fd-NH Blue	2312653	72	2360072			111876D2	1526	9,185	11	
3230/3430/3930/4630	QA	X	X	X		Fd-NH Blue	2312653	72		2350000	2370072	111876D2	1612	9,836	11	
4000 AP/4100 AP	Pin-on	X		X		Fd-NH Blue	2312653	72	2360072			111876D2	1526	9,185	11	
4000 AP/4100 AP	QA	X		X		Fd-NH Blue	2312653	72		2350000	2370072	111876D2	1612	9,836	11	
4000 SU/4600 SU/4610 SU	Pin-on	X		X		Fd-NH Blue	2312653	72	2360072			111877D2	1609	9,361	12	
4000 SU/4600 SU/4610 SU	QA	X		X		Fd-NH Blue	2312653	72		2350000	2370072	111877D2	1695	10,012	12	
4100/4110	Pin-on	X		X		Fd-NH Blue	2312653	72	2360072			111877D2	1609	9,361	12	
4100/4110	QA	X		X		Fd-NH Blue	2312653	72		2350000	2370072	111877D2	1695	10,012	12	
4600 AP/4610 AP	Pin-on	X		X		Fd-NH Blue	2312653	72	2360072			111876D2	1526	9,185	2, 11	
4600 AP/4610 AP	QA	X		X		Fd-NH Blue	2312653	72		2350000	2370072	111876D2	1612	9,836	2, 11	
4610	Pin-on		X	X		Fd-NH Blue	2312653	72	2360072			111876D2	1526	9,185	11	
4610	QA		X	X		Fd-NH Blue	2312653	72		2350000	2370072	111876D2	1612	9,836	11	
4830/5030	Pin-on	X		X		Fd-NH Blue	2312653	72	2360072			111841D2	1556	8,904		
4830/5030	QA	X		X		Fd-NH Blue	2312653	72		2350000	2370072	111841D2	1642	9,555		
4835/5635	Pin-on	X	X		X	Fd-NH Blue	2312653	72	2360072			111834H2	1543	8,098		
4835/5635	QA	X	X		X	Fd-NH Blue	2312653	72		2350000	2370072	111834H2	1629	8,749		
5000 (1965 & Later)	Pin-on	X		X		Fd-NH Blue	2312653	72	2360072			111875D2	1571	8,939		
5000 (1965 & Later)	QA	X		X		Fd-NH Blue	2312653	72		2350000	2370072	111875D2	1657	9,590		
5600/5610/5900/6600/6610/6610S	Pin-on	X		X		Fd-NH Blue	2312653	72	2360072			111875D2	1571	8,939		
5600/5610/5900/6600/6610/6610S	QA	X		X		Fd-NH Blue	2312653	72		2350000	2370072	111875D2	1657	9,590		
5610S	Pin-on	X	X	X		Fd-NH Blue	2312653	72	2360072			111875D2	1571	8,939		
5610S	QA	X	X	X		Fd-NH Blue	2312653	72		2350000	2370072	111875D2	1657	9,590		
5640/6640	Pin-on	X		X		Fd-NH Blue	2312653	72	2360072			111844H2	1537	7,850		
5640/6640	QA	X		X		Fd-NH Blue	2312653	72		2350000	2370072	111844H2	1623	8,501		

* Completing Kits that end in D/D2/D3 contain mounting kit, Woods Hydraulic Package (2-spool direct control valve and hose kit) and grill guard, if available.
 Completing Kits that end in C2 or C3 contain mounting kit, Woods Hydraulic Package (2-spool cable control valve and hose kit) and grill guard, if available.
 Completing Kits that end in H, H2 or H3 contain mounting kit, 4-hose kit (to connect loader to OEM remote valve) and grill guard, if available.
 Completing Kits that end in HM2 contain mounting kit, 4-hose kit (to connect loader to OEM midmount valve) and grill guard, if available.
 Completing Kits that end in HR2 contain mounting kit, 4-hose kit (to connect loader to tractor rear remotes) and grill guard, if available.

Unless noted, each “Loader Complete” STANDARD configuration includes loader, bucket, and completing kit (mount, hydraulics and grill guard, if grill guard is available). Any deviation from standard configuration will require ordering components individually.

Quick Order Section – Loader Model LU126 (Continued)

Tractor Brand / Model	Loader Pkg. Type	Fits Tractor Type				Loader Frame Color	Quick Order Part Numbers					Ship Wt. (lbs.)	Suggested List Price	Tractor Notes	
		2WD	4WD	FOPS	CAB		LU126 Loader Frame	Bucket Width (in.)	Pin-On Bucket	Quick Attach. Coupler	QA Bucket				Completing Kit *
FORD® & NEW HOLLAND®															
6635/7635	Pin-on	X	X		X	Fd-NH Blue	2312653	72	2360072			111834H2	1563	\$ 8,098	
6635/7635	QA	X	X		X	Fd-NH Blue	2312653	72		2350000	2370072	111834H2	1649	8,749	
T4020/T4030	Pin-on	X	X	X	X	Vib-NH Blue	2312657	72	2360072			2300020H	1583	8,390	30, 33
T4020/T4030	QA	X	X	X	X	Vib-NH Blue	2312657	84		2350000	2370084	2300020H	1712	9,146	30, 33
T4040/T4050	Pin-on	X	X	X		Vib-NH Blue	2312657	72	2360072			2300016H	1597	8,390	30, 31
T4040/T4050	QA	X	X	X		Vib-NH Blue	2312657	84		2350000	2370084	2300016H	1726	9,146	30, 31
T4040/T4050 (Pedestal Mount)	Pin-on	X	X	X	X	Vib-NH Blue	2312677	72	2360072			2300021H	1749	9,507	30, 34
T4040/T4050 (Pedestal Mount)	QA	X	X	X	X	Vib-NH Blue	2312677	84		2350000	2370084	2300021H	1878	10,263	30, 34
T5040/T5050/T5060/T5070	Pin-on	X	X	X	X	Vib-NH Blue	2312657	72	2360072			2300009H3	1563	8,383	30, 31
T5040/T5050/T5060/T5070	QA	X	X	X	X	Vib-NH Blue	2312657	84		2350000	2370084	2300009H3	1692	9,139	30, 31
T5040/T5050/T5060/T5070 (Pedestal Mount)	Pin-on	X	X	X	X	Vib-NH Blue	2312677	72	2360072			2300012H	1809	9,500	32
T5040/T5050/T5060/T5070 (Pedestal Mount)	QA	X	X	X	X	Vib-NH Blue	2312677	84		2350000	2370084	2300012H	1938	10,256	32
TD75D/TD80D/TD90D	Pin-on	X	X	X	X	Vib-NH Blue	2312657	72	2360072			111889C2	1674	10,241	
TD75D/TD80D/TD90D	QA	X	X	X	X	Vib-NH Blue	2312657	72		2350000	2370072	111889C2	1760	10,892	
TD75D/TD80D/TD90D	Pin-on	X	X	X	X	Vib-NH Blue	2312657	72	2360072			111889H2	1756	8,940	16
TD75D/TD80D/TD90D	QA	X	X	X	X	Vib-NH Blue	2312657	72		2350000	2370072	111889H2	1842	9,591	16
TD95D	Pin-on	X	X	X	X	Vib-NH Blue	2312657	72	2360072			111890C2	1524	9,470	
TD95D	QA	X	X	X	X	Vib-NH Blue	2312657	72		2350000	2370072	111890C2	1610	10,121	
TD95D	Pin-on	X	X	X	X	Vib-NH Blue	2312657	72	2360072			111890H2	1606	8,169	16
TD95D	QA	X	X	X	X	Vib-NH Blue	2312657	72		2350000	2370072	111890H2	1692	8,820	16
TD5030	Pin-on	X	X	X	X	Vib-NH Blue	2312657	72	2360072			2300013D	1579	9,680	31
TD5030	QA	X	X	X	X	Vib-NH Blue	2312657	72		2350000	2370072	2300013D	1665	10,331	31
TD5050 (Loader Ready)	Pin-on	X	X	X	X	Vib-NH Blue	2312657	72	2360072			2300014D	TBD	9,680	29, 39
TD5050 (Loader Ready)	QA	X	X	X	X	Vib-NH Blue	2312657	84		2350000	2370084	2300014D	TBD	10,436	29, 39
TD5050	Pin-on	X	X	X	X	Vib-NH Blue	2312657	72	2360072			2300017D	1594	9,470	29, 31
TD5050	QA	X	X	X	X	Vib-NH Blue	2312657	84		2350000	2370084	2300017D	1723	10,226	29, 31
TL70/TL80	Pin-on	X	X	X	X	Vib-NH Blue	2312657	72	2360072			111834H2	1135	8,098	
TL70/TL80	QA	X	X	X	X	Vib-NH Blue	2312657	72		2350000	2370072	111834H2	1649	8,749	
TL80A	Pin-on	X	X	X	X	Vib-NH Blue	2312657	72	2360072			2300009H2	1499	8,344	19
TL80A	QA	X	X	X	X	Vib-NH Blue	2312657	72		2350000	2370072	2300009H2	1585	8,995	19
TL90/TL100	Pin-on	X	X	X	X	Vib-NH Blue	2312657	72	2360072			111834HR2	1563	8,098	
TL90/TL100	QA	X	X	X	X	Vib-NH Blue	2312657	72		2350000	2370072	111834HR2	1649	8,749	
TL90/TL100	Pin-on	X	X	X	X	Vib-NH Blue	2312657	72	2360072			111834HM2	1547	8,049	
TL90/TL100	QA	X	X	X	X	Vib-NH Blue	2312657	72		2350000	2370072	111834HM2	1633	8,700	
TL90A/TL100A	Pin-on	X	X	X	X	Vib-NH Blue	2312657	72	2360072			2300009H2	1499	8,344	19
TL90A/TL100A	QA	X	X	X	X	Vib-NH Blue	2312657	72		2350000	2370072	2300009H2	1585	8,995	19
TN55/TN65/TN70/TN75	Pin-on	X	X	X		Vib-NH Blue	2312657	72	2360072			111874D2	1574	9,117	15
TN55/TN65/TN70/TN75	QA	X	X	X		Vib-NH Blue	2312657	72		2350000	2370072	111874D2	1660	9,768	15

- * Completing Kits that end in D/D2/D3 contain mounting kit, Woods Hydraulic Package (2-spool direct control valve and hose kit) and grill guard, if available.
- Completing Kits that end in C2 or C3 contain mounting kit, Woods Hydraulic Package (2-spool cable control valve and hose kit) and grill guard, if available.
- Completing Kits that end in H, H2 or H3 contain mounting kit, 4-hose kit (to connect loader to OEM remote valve) and grill guard, if available.
- Completing Kits that end in HM2 contain mounting kit, 4-hose kit (to connect loader to OEM midmount valve) and grill guard, if available.
- Completing Kits that end in HR2 contain mounting kit, 4-hose kit (to connect loader to tractor rear remotes) and grill guard, if available.

Unless noted, each “Loader Complete” STANDARD configuration includes loader, bucket, and completing kit (mount, hydraulics and grill guard, if grill guard is available). Any deviation from standard configuration will require ordering components individually.

Quick Order Section – Loader Model LU126 (Continued)

Tractor Brand / Model	Loader Pkg. Type	Fits Tractor Type				Loader Frame Color	Quick Order Part Numbers						Ship Wt. (lbs.)	Suggested List Price	Tractor Notes
		2WD	4WD	ROPS	CAB		LU126 Loader Frame	Bucket Width (in.)	Pin-On Bucket	Quick Attach. Coupler	QA Bucket	Completing Kit *			
FORD® & NEW HOLLAND® (Continued)															
TN55D/TN65D/TN70D/TN75D	Pin-on	X	X		X	Vib-NH Blue	2312657	72	2360072			111897H2	1580	\$ 8,390	5, 15
TN55D/TN65D/TN70D/TN75D	QA	X	X		X	Vib-NH Blue	2312657	72		2350000	2370072	111897H2	1666	9,041	5, 15
TN60A/TN70A/TN75A	Pin-on	X	X	X		Vib-NH Blue	2312657	72	2360072			111897D2	1645	9,468	15
TN60A/TN70A/TN75A	QA	X	X	X		Vib-NH Blue	2312657	72		2350000	2370072	111897D2	1731	10,119	15
TN60DA/TN70DA/TN75DA	Pin-on	X	X		X	Vib-NH Blue	2312657	72	2360072			111897H2	1580	8,390	5, 15, 17
TN60DA/TN70DA/TN75DA	QA	X	X		X	Vib-NH Blue	2312657	72		2350000	2370072	111897H2	1666	9,041	5, 15, 17
TT55	Pin-on	X	X	X		Vib-NH Blue	2312657	72	2360072			111895D2	1619	9,575	
TT55	QA	X	X	X		Vib-NH Blue	2312657	72		2350000	2370072	111895D2	1705	10,226	
TT60A/TT75A	Pin-on	X		X		Vib-NH Blue	2312657	72	2360072			2300005D2	1523	9,410	
TT60A/TT75A	QA	X		X		Vib-NH Blue	2312657	72		2350000	2370072	2300005D2	1609	10,061	
TT60A/TT75A	Pin-on		X	X		Vib-NH Blue	2312657	72	2360072			2300006D2	1569	9,590	
TT60A/TT75A	QA		X	X		Vib-NH Blue	2312657	72		2350000	2370072	2300006D2	1655	10,241	
TT75	Pin-on	X	X	X		Vib-NH Blue	2312657	72	2360072			111893D2	1608	9,575	20
TT75	QA	X	X	X		Vib-NH Blue	2312657	72		2350000	2370072	111893D2	1694	10,226	20
Workmaster 65/75	Pin-on	X	X	X		Vib-NH Blue	2312657	72	2360072			2300031D	TBD	9,464	
Workmaster 65/75	QA	X	X	X		Vib-NH Blue	2312657	72		2350000	2370072	2300031D	TBD	10,115	
JOHN DEERE®															
820	Pin-on	X		X		Green	2312651	72	2360072			111843D2	1458	8,797	
820	QA	X		X		Green	2312651	72		2350000	2370072	111843D2	1544	9,448	
830/830 Orchard	Pin-on	X		X		Green	2312651	72	2360072			111843D2	1458	8,797	
830/830 Orchard	QA	X		X		Green	2312651	72		2350000	2370072	111843D2	1544	9,448	
1020/1520/2020	Pin-on	X		X		Green	2312651	72	2360072			111843D2	1458	8,797	1
1020/1520/2020	QA	X		X		Green	2312651	72		2350000	2370072	111843D2	1544	9,448	1
1530/1530 Orchard	Pin-on	X		X		Green	2312651	72	2360072			111843D2	1458	8,797	1
1530/1530 Orchard	QA	X		X		Green	2312651	72		2350000	2370072	111843D2	1544	9,448	1
2030/2630	Pin-on	X		X		Green	2312651	72	2360072			111843D2	1458	8,797	1
2030/2630	QA	X		X		Green	2312651	72		2350000	2370072	111843D2	1544	9,448	1
2040 Orchard/2255 Orchard	Pin-on	X		X		Green	2312651	72	2360072			111843D2	1458	8,797	1
2040 Orchard/2255 Orchard	QA	X		X		Green	2312651	72		2350000	2370072	111843D2	1544	9,448	1
2150/2155/2040	Pin-on	X	X	X		Green	2312651	72	2360072			111843D2	1458	8,797	1
2150/2155/2040	QA	X	X	X		Green	2312651	72		2350000	2370072	111843D2	1544	9,448	1
2240	Pin-on	X	X	X		Green	2312651	72	2360072			111843D2	1458	8,797	1
2240	QA	X	X	X		Green	2312651	72		2350000	2370072	111843D2	1544	9,448	1
2240 NO	Pin-on	X		X		Green	2312651	72	2360072			111843D2	1458	8,797	
2240 NO	QA	X		X		Green	2312651	72		2350000	2370072	111843D2	1544	9,448	
2350/2355/2550/2555	Pin-on	X	X	X		Green	2312651	72	2360072			211823D2	1571	8,925	
2350/2355/2550/2555	QA	X	X	X		Green	2312651	72		2350000	2370072	211823D2	1657	9,576	
2355 Narrow Orchard	Pin-on	X		X		Green	2312651	72	2360072			111843D2	1458	8,797	1
2355 Narrow Orchard	QA	X		X		Green	2312651	72		2350000	2370072	111843D2	1544	9,448	1

* Completing Kits that end in D/D2/D3 contain mounting kit, Woods Hydraulic Package (2-spool direct control valve and hose kit) and grill guard, if available.
 Completing Kits that end in C2 or C3 contain mounting kit, Woods Hydraulic Package (2-spool cable control valve and hose kit) and grill guard, if available.
 Completing Kits that end in H, H2 or H3 contain mounting kit, 4-hose kit (to connect loader to OEM remote valve) and grill guard, if available.
 Completing Kits that end in HM2 contain mounting kit, 4-hose kit (to connect loader to OEM midmount valve) and grill guard, if available.
 Completing Kits that end in HR2 contain mounting kit, 4-hose kit (to connect loader to tractor rear remotes) and grill guard, if available.

Unless noted, each “Loader Complete” STANDARD configuration includes loader, bucket, and completing kit (mount, hydraulics and grill guard, if grill guard is available). Any deviation from standard configuration will require ordering components individually.

Quick Order Section – Loader Model LU126 (Continued)

Tractor Brand / Model	Loader Pkg. Type	Fits Tractor Type				Loader Frame Color	Quick Order Part Numbers					Ship Wt. (lbs.)	Suggested List Price	Tractor Notes	
		2WD	4WD	FOPS	CAB		LU126 Loader Frame	Bucket Width (in.)	Pin-On Bucket	Quick Attach. Coupler	QA Bucket				Completing Kit *
JOHN DEERE® (Continued)															
2440/2440 Orchard/2640	Pin-on	X		X		Green	2312651	72	2360072			111843D2	1458	\$ 8,797	1
2440/2440 Orchard/2640	QA	X		X		Green	2312651	72		2350000	2370072	111843D2	1544	9,448	1
3010/3020	Pin-on	X		X		Green	2312651	72	2360072			111862D2	1485	8,812	6
3010/3020	QA	X		X		Green	2312651	72		2350000	2370072	111862D2	1571	9,463	6
5045E/5055E/5065E/5075E	Pin-on	X	X	X		Green	2312651	72	2360072			211815H	TBD	8,027	40
5045E/5055E/5065E/5075E	QA	X	X	X		Green	2312651	72		2350000	2370072	211815H	TBD	8,678	40
5103/5203/5303	Pin-on	X	X	X		Green	2312651	72	2360072			211815HR2	1581	8,204	7
5103/5203/5303	QA	X	X	X		Green	2312651	72		2350000	2370072	211815HR2	1667	8,855	7
5105/5205	Pin-on	X	X	X		Green	2312651	72	2360072			211817H2	1492	7,929	22
5105/5205	QA	X	X	X		Green	2312651	72		2350000	2370072	211817H2	1578	8,580	22
5200/5210/5220/5300/5310/5320/5400	Pin-on	X	X	X	X	Green	2312651	72	2360072			111850D2	1599	9,223	7, 36
5200/5210/5220/5300/5310/5320/5400	QA	X	X	X	X	Green	2312651	72		2350000	2370072	111850D2	1685	9,874	7, 36
5225/5325	Pin-on	X	X	X	X	Green	2312651	72	2360072			211813HR2	1533	8,062	8
5225/5325	QA	X	X	X	X	Green	2312651	72		2350000	2370072	211813HR2	1619	8,713	8
5225/5325	Pin-on	X	X	X	X	Green	2312651	72	2360072			211813HM2	1533	7,920	22
5225/5325	QA	X	X	X	X	Green	2312651	72		2350000	2370072	211813HM2	1619	8,571	22
5410/5420/5500/5510/5520	Pin-on	X	X	X	X	Green	2312651	72	2360072			111863D2	1640	9,223	8, 9, 37
5410/5420/5500/5510/5520	QA	X	X	X	X	Green	2312651	72		2350000	2370072	111863D2	1726	9,874	8, 9, 37
5425/5525	Pin-on	X	X	X	X	Green	2312651	72	2360072			211819HR2	1533	8,062	8
5425/5525	QA	X	X	X	X	Green	2312651	72		2350000	2370072	211819HR2	1619	8,713	8
5425/5525	Pin-on	X	X	X	X	Green	2312651	72	2360072			211819HM2	1533	7,920	22
5425/5525	QA	X	X	X	X	Green	2312651	72		2350000	2370072	211819HM2	1619	8,571	22
KIOTI®															
DK65/DK65C	Pin-on		X	X	X	Orange	2312654	72	2360072			111881H2	1560	7,887	14
DK65/DK65C	QA		X	X	X	Orange	2312654	72		2350000	2370072	111881H2	1646	8,538	14
DK65S	Pin-on		X	X	X	Orange	2312654	72	2360072			211814H2	1576	8,071	14, 35
DK65S	QA		X	X	X	Orange	2312654	72		2350000	2370072	211814H2	1662	8,722	14, 35
DK75/DK90	Pin-on		X	X	X	Orange	2312654	72	2360072			2300030H	TBD	8,071	38
DK75/DK90	QA		X	X	X	Orange	2312654	84		2350000	2370084	2300030H	TBD	8,827	38
KUBOTA®															
M4030/M4030SU	Pin-on	X	X	X		Orange	2312654	72	2360072			111832D2	1624	9,465	
M4030/M4030SU	QA	X	X	X		Orange	2312654	72		2350000	2370072	111832D2	1710	10,116	
M4700/M5400	Pin-on	X	X	X		Orange	2312654	72	2360072			111871D2	1521	9,398	
M4700/M5400	QA	X	X	X		Orange	2312654	72		2350000	2370072	111871D2	1607	10,049	
M4800SU/M4900SU	Pin-on	X	X	X		Orange	2312654	72	2360072			111880D2	1582	9,185	
M4800SU/M4900SU	QA	X	X	X		Orange	2312654	72		2350000	2370072	111880D2	1668	9,836	
M4900/M5700	Pin-on	X	X	X		Orange	2312654	72	2360072			111880D2	1582	9,185	
M4900/M5700	QA	X	X	X		Orange	2312654	72		2350000	2370072	111880D2	1668	9,836	
M4900/M5700	Pin-on	X	X		X	Orange	2312654	72	2360072			111872C3	1655	9,753	
M4900/M5700	QA	X	X		X	Orange	2312654	72		2350000	2370072	111872C3	1741	10,404	

- * Completing Kits that end in D/D2/D3 contain mounting kit, Woods Hydraulic Package (2-spool direct control valve and hose kit) and grill guard, if available.
- Completing Kits that end in C2 or C3 contain mounting kit, Woods Hydraulic Package (2-spool cable control valve and hose kit) and grill guard, if available.
- Completing Kits that end in H, H2 or H3 contain mounting kit, 4-hose kit (to connect loader to OEM remote valve) and grill guard, if available.
- Completing Kits that end in HM2 contain mounting kit, 4-hose kit (to connect loader to OEM midmount valve) and grill guard, if available.
- Completing Kits that end in HR2 contain mounting kit, 4-hose kit (to connect loader to tractor rear remotes) and grill guard, if available.

Unless noted, each “Loader Complete” STANDARD configuration includes loader, bucket, and completing kit (mount, hydraulics and grill guard, if grill guard is available). Any deviation from standard configuration will require ordering components individually.

Quick Order Section – Loader Model LU126 (Continued)

Tractor Brand / Model	Loader Pkg. Type	Fits Tractor Type				Loader Frame Color	Quick Order Part Numbers						Ship Wt. (lbs.)	Suggested List Price	Tractor Notes
		2WD	4WD	ROPS	CAB		LU126 Loader Frame	Bucket Width (in.)	Pin-On Bucket	Quick Attach. Coupler	QA Bucket	Completing Kit *			
KUBOTA® (Continued)															
M5030	Pin-on	X	X	X		Orange	2312654	72	2360072			111832D2	1624	\$ 9,465	
M5030	QA	X	X	X		Orange	2312654	72		2350000	2370072	111832D2	1710	10,116	
M5040/M6040/M7040	Pin-on	X	X	X		Orange	2312654	72	2360072			211832D2	1496	8,409	24
M5040/M6040/M7040	QA	X	X	X		Orange	2312654	72		2350000	2370072	211832D2	1582	9,060	24
M5040/M6040/M7040	Pin-on	X	X		X	Orange	2312654	72	2360072			211832C2	1496	8,558	24
M5040/M6040/M7040	QA	X	X		X	Orange	2312654	72		2350000	2370072	211832C2	1582	9,209	24
M4030/M4030SU	Pin-on	X	X	X		Orange	2312654	72	2360072			111832D2	1624	9,465	
M4030/M4030SU	QA	X	X	X		Orange	2312654	72		2350000	2370072	111832D2	1710	10,116	
M5640SU	Pin-on	X	X	X		Orange	2312654	72	2360072			111880D3	1596	9,209	
M5640SU	QA	X	X	X		Orange	2312654	72		2350000	2370072	111880D3	1682	9,860	
M6800F/DT	Pin-on	X	X	X		Orange	2312654	72	2360072			111860D2	1560	9,302	
M6800F/DT	QA	X	X	X		Orange	2312654	72		2350000	2370072	111860D2	1646	9,953	
M6800S/DC	Pin-on	X	X		X	Orange	2312654	72	2360072			111873C3	1615	9,753	
M6800S/DC	QA	X	X		X	Orange	2312654	72		2350000	2370072	111873C3	1701	10,404	
M6800S/HD	Pin-on	X	X	X		Orange	2312654	72	2360072			111873D2	1615	9,398	
M6800S/HD	QA	X	X	X		Orange	2312654	72		2350000	2370072	111873D2	1701	10,049	
M8200/M9000	Pin-on	X	X	X		Orange	2312654	72	2360072			111868D2	1707	9,432	
M8200/M9000	QA	X	X	X		Orange	2312654	72		2350000	2370072	111868D2	1793	10,083	
M8200/M9000	Pin-on	X	X		X	Orange	2312654	72	2360072			111868C3	1717	9,855	
M8200/M9000	QA	X	X		X	Orange	2312654	72		2350000	2370072	111868C3	1803	10,506	
LANDINI®															
1-75/1-90	Pin-on		X	X	X	Black	2312650	72	2360072			2300030H	TBD	8,071	38
1-75/1-90	QA		X	X	X	Black	2312650	84		2350000	2370084	2300030H	TBD	8,827	38
MAHINDRA®															
485/575/585	Pin-on	X		X		Red	2312660	72	2360072			111845D2	1504	8,869	
485/575/585	QA	X		X		Red	2312660	72		2350000	2370072	111845D2	1590	9,520	
4500	Pin-on	X		X		Red	2312660	72	2360072			211820D2	1727	9,838	19
4500	QA	X		X		Red	2312660	72		2350000	2370072	211820D2	1813	10,489	19
4500	Pin-on		X	X		Red	2312660	72	2360072			111894D2	1744	9,398	19
4500	QA		X	X		Red	2312660	72		2350000	2370072	111894D2	1830	10,049	19
4530	Pin-on		X	X		Red	2312660	72	2360072			211820D3	1730	9,936	19, 25
4530	QA		X	X		Red	2312660	72		2350000	2370072	211820D3	1816	10,587	19, 25
5500/6000/6500	Pin-on		X	X		Red	2312660	72	2360072			111899D2	1845	9,748	19, 21
5500/6000/6500	QA		X	X		Red	2312660	72		2350000	2370072	111899D2	1931	10,399	19, 21
5500/6000/6500	Pin-on	X		X		Red	2312660	72	2360072			211812D2	1748	9,512	19
5500/6000/6500	QA	X		X		Red	2312660	72		2350000	2370072	211812D2	1834	10,163	19
5520/6520	Pin-on	X	X	X		Red	2312660	72	2360072			211811D2	1748	9,136	
5520/6520	QA	X	X	X		Red	2312660	72		2350000	2370072	211811D2	1834	9,787	
7010	Pin-on		X		X	Red	2312660	72	2360072			211825H2	1617	8,439	26
7010	QA		X		X	Red	2312660	72		2350000	2370072	211825H2	1703	9,090	26
7520	Pin-on	X	X	X		Red	2312660	72	2360072			211811D2	1508	9,136	
7520	QA	X	X	X		Red	2312660	72		2350000	2370072	211811D2	1594	9,787	

* Completing Kits that end in D/D2/D3 contain mounting kit, Woods Hydraulic Package (2-spool direct control valve and hose kit) and grill guard, if available.
 Completing Kits that end in C2 or C3 contain mounting kit, Woods Hydraulic Package (2-spool cable control valve and hose kit) and grill guard, if available.
 Completing Kits that end in H, H2 or H3 contain mounting kit, 4-hose kit (to connect loader to OEM remote valve) and grill guard, if available.
 Completing Kits that end in HM2 contain mounting kit, 4-hose kit (to connect loader to OEM midmount valve) and grill guard, if available.
 Completing Kits that end in HR2 contain mounting kit, 4-hose kit (to connect loader to tractor rear remotes) and grill guard, if available.

Unless noted, each “Loader Complete” STANDARD configuration includes loader, bucket, and completing kit (mount, hydraulics and grill guard, if grill guard is available). Any deviation from standard configuration will require ordering components individually.

Quick Order Section – Loader Model LU126 (Continued)

Tractor Brand / Model	Loader Pkg. Type	Fits Tractor Type				Loader Frame Color	Quick Order Part Numbers					Ship Wt. (lbs.)	Suggested List Price	Tractor Notes	
		2WD	4WD	ROPS	CAB		LU126 Loader Frame	Bucket Width (in.)	Pin-On Bucket	Quick Attach. Coupler	QA Bucket				Completing Kit *
MASSEY FERGUSON®															
240/253	Pin-on		X	X		Red	2312656	72	2360072			111855D2	1643	\$ 8,976	10
240/253	QA		X	X		Red	2312656	72		2350000	2370072	111855D2	1729	9,627	10
271XE	Pin-on	X		X		Red	2312656	72	2360072			111869D2	1680	9,258	
271XE	QA	X		X		Red	2312656	72		2350000	2370072	111869D2	1766	9,909	
281XE	Pin-on	X	X	X		Red	2312656	72	2360072			111869D2	1680	9,258	
281XE	QA	X	X	X		Red	2312656	72		2350000	2370072	111869D2	1766	9,909	
431	Pin-on	X		X		Red	2312656	72	2360072			211816D2	1632	9,195	
431	QA	X		X		Red	2312656	72		2350000	2370072	211816D2	1718	9,846	
451	Pin-on	X	X	X		Red	2312656	72	2360072			211810D2	1632	9,678	
451	QA	X	X	X		Red	2312656	72		2350000	2370072	211810D2	1718	10,329	
461	Pin-on		X	X		Red	2312656	72	2360072			211828D2	1650	9,853	
461	QA		X	X		Red	2312656	72		2350000	2370072	211828D2	1736	10,504	
461	Pin-on		X	X		Red	2312656	72	2360072			211828H2	1650	8,847	
461	QA		X	X		Red	2312656	72		2350000	2370072	211828H2	1736	9,498	
471/481	Pin-on	X	X	X		Red	2312656	72	2360072			111869D3	1693	9,336	
471/481	QA	X	X	X		Red	2312656	72		2350000	2370072	111869D3	1779	9,987	
543/563	Pin-on	X	X	X		Red	2312656	72	2360072			211828D2	1650	9,853	
543/563	QA	X	X	X		Red	2312656	72		2350000	2370072	211828D2	1736	10,504	
543/563	Pin-on	X	X	X		Red	2312656	72	2360072			211828H2	1622	8,847	
543/563	QA	X	X	X		Red	2312656	72		2350000	2370072	211828H2	1708	9,498	
573/583	Pin-on	X	X	X		Red	2312656	72	2360072			2300007D2	1632	9,689	
573/583	QA	X	X	X		Red	2312656	72		2350000	2370072	2300007D2	1718	10,340	
2605/2615/2625	Pin-on		X	X		Red	2312656	72	2360072			2300028D	1691	9,611	
2605/2615/2625	QA		X	X		Red	2312656	72		2350000	2370072	2300028D	1777	10,262	
3625/3635/3645	Pin-on	X	X	X	X	Red	2312656	72	2360072			2300008H	1653	8,750	27
3625/3635/3645	QA	X	X	X	X	Red	2312656	84		2350000	2370084	2300008H	1782	9,506	27
4225/4235 (SN U & Prior)	Pin-on	X	X	X	X	Red	2312656	72	2360072			111857H2	1520	7,850	
4225/4235 (SN U & Prior)	QA	X	X	X	X	Red	2312656	72		2350000	2370072	111857H2	1606	8,501	
4225/4235 (SN G & Later)	Pin-on	X	X	X		Red	2312656	72	2360072			111867D2	1646	9,236	
4225/4235 (SN G & Later)	QA	X	X	X		Red	2312656	72		2350000	2370072	111867D2	1732	9,887	
5435/5445	Pin-on	X	X	X	X	Red	2312656	72	2360072			211822H2	1593	8,346	23
5435/5445	QA	X	X	X	X	Red	2312656	72		2350000	2370072	211822H2	1679	8,997	23
McCORMICK®															
CX70/CX80	Pin-on	X	X	X	X	Red	2312661	72	2360072			111864C2	1573	9,575	28
CX70/CX80	QA	X	X	X	X	Red	2312661	72		2350000	2370072	111864C2	1659	10,226	28
X10.75/X10.90	Pin-on		X	X	X	Red	2312661	72	2360072			2300030H	TBD	8,071	38
X10.75/X10.90	QA		X	X	X	Red	2312661	84		2350000	2370084	2300030H	TBD	8,827	38

- * Completing Kits that end in D/D2/D3 contain mounting kit, Woods Hydraulic Package (2-spool direct control valve and hose kit) and grill guard, if available.
- Completing Kits that end in C2 or C3 contain mounting kit, Woods Hydraulic Package (2-spool cable control valve and hose kit) and grill guard, if available.
- Completing Kits that end in H, H2 or H3 contain mounting kit, 4-hose kit (to connect loader to OEM remote valve) and grill guard, if available.
- Completing Kits that end in HM2 contain mounting kit, 4-hose kit (to connect loader to OEM midmount valve) and grill guard, if available.
- Completing Kits that end in HR2 contain mounting kit, 4-hose kit (to connect loader to tractor rear remotes) and grill guard, if available.

Unless noted, Completing Kits include Mount Kit, Woods Hydraulic Package (or 4-Hose Kit for tractor midmount OEM valve or remotes) and Grill Guard, if grill guard is available.

Completing Kits – Loader Model LU126

Tractor Brand / Model	Fits Tractor Type				Completing Kit Part No. **	Mount Kit	Woods® Hydraulic Package		OR	4-Hose Kit	Grill Guard	Ship Wt. (lbs.)	Suggested List Price	Notes
	2WD	4WD	ROPS	CAB			2-Spool Valve Kit	Hoses for Loader Valve		Connects to OEM Valve or Remotes				
AGCO®														
GT45A/GT55A	X	X	X		211818C2	211818	1028845	1023574			1015178	732	\$ 4,088	
GT45A/GT55A	X	X		X	211818C2	211818	1028845	1023574			1015178	732	4,088	
GT65A/GT75A	X	X	X		211821C2	211821	1028845	1023574			1015178	791	4,088	
GT65A/GT75A	X	X		X	211821C2	211821	1028845	1023574			1015178	791	4,088	
CASE IH®														
385/395/485/495	X	X	X		111830D2	111830	1028841	58029			57862	441	3,167	28
454	X		X		111830D2	111830	1028841	58029			57862	441	3,167	28
464	X		X		111830D2	111830	1028841	58029			57862	441	3,167	28
484/84 Hydro	X		X		111830D2	111830	1028841	58029			57862	441	3,167	28
574/584/684	X		X		111830D3	111830	1028841	58029			1019090	435	3,223	28
585/380B	X		X		111830D2	111830	1028841	58029			57862	441	3,167	3, 28
585/595/3230	X	X	X		111833D2	111833	1028841	58029			57862	379	3,167	3, 28
674	X		X		111830D2	111830	1028841	58029			57862	441	3,167	28
3220	X	X	X		111830D2	111830	1028841	58029			57862	441	3,167	28
C50/C60	X	X	X		111830D2	111830	1028841	58029			57862	441	3,167	28
C70/C80	X	X	X		111833D2	111833	1028841	58029			57862	379	3,167	28
CX50/CX60	X	X	X	X	111865C2	111865	1028845	58029			57862	478	3,519	4, 28
CX70/CX80	X	X	X	X	111864C2	111864	1028845	58029			57862	485	3,590	4, 28
Farmall® 65A/75A	X	X	X		2300031D	2300031	1028840	1024328			1018190	TBD	3,479	
Farmall 65C/75C	X	X	X	X	2300020H	2300020	N/A	N/A	1010460-MR	1012018	458	2,405	30, 33	
Farmall 70/80	X	X	X	X	2300013D	2300013	1029710	1029713			1009274	490	3,695	31
Farmall 85/95	X	X	X	X	2300017D	2300017	1029710	1029713			1009274	469	3,485	29, 31
Farmall 85C/95C	X	X	X		2300016H	2300016	N/A	N/A	1010460-MR	40448	472	2,405	30, 31	
Farmall 85C/95C (Pedestal Mount)	X	X	X	X	2300021H	2300021	N/A	N/A	1010460-MR	40448	624	3,522	30, 34	
Farmall 85U/95U/105U	X	X	X	X	2300009H3	2300009	N/A	N/A	1028835	1028908	438	2,398	30, 31	
Farmall 85U/95U/105U (Pedestal Mount)	X	X	X	X	2300012H	2300012	N/A	N/A	1028835-MR	1028908	684	3,515	32	
Farmall 90/95	X	X	X	X	2300014D	2300014	1029710	1029713			1009274	TBD	3,695	29, 39
JX55/JX65/JX75/JX85 (Turbo & Non-Turbo versions)	X	X	X	X	111889C2	111889	1028842	1023579			1009274	644	4,256	16
JX60/JX70/JX80/JX90	X	X	X	X	111889C2	111889	1028842	1023579			1009274	644	4,256	
JX60/JX70/JX80/JX90	X	X	X	X	111889H2	111889	N/A	N/A	58025	1009274	612	2,955	16	
JX80U	X	X	X	X	111885H2	111885	N/A	N/A	1009024-MR	1009021	427	2,008	13	
JX90U/JX100U	X	X	X	X	111885H2	111885	N/A	N/A	1009024-MR	1009021	427	2,008	13	
JX95	X	X	X	X	111890C2	111890	1028842	1023579			1009274	494	3,485	16
JX1060C/JX1070C/JX1075C	X	X	X		111897D2	111897	1028841	1023583			1012018	556	3,483	5, 15, 17
JX1060C/JX1070C/JX1075C	X	X		X	111897H2	111897	N/A	N/A	1010460-MR	1012018	492	2,405	5, 15, 17	
JX1080U	X	X	X	X	2300009H2	2300009	N/A	N/A	1028835-MR	1012018	411	2,359	18	
JX1090U/JX1100U	X	X	X	X	2300009H2	2300009	N/A	N/A	1028835-MR	1012018	411	2,359	18	
CHALLENGER®														
MT425B/MT445B	X	X	X	X	211822H2	211822	N/A	N/A		58025	1015430	505	2,361	23

** Completing Kits that end in D/D2/D3 contain mounting kit, Woods Hydraulic Package (2-spool direct control valve and hose kit) and grill guard, if available.
 Completing Kits that end in C2 or C3 contain mounting kit, Woods Hydraulic Package (2-spool cable control valve and hose kit) and grill guard, if available.
 Completing Kits that end in H, H2 or H3 contain mounting kit, 4-hose kit (to connect loader to OEM remote valve) and grill guard, if available.
 Completing Kits that end in HM2 contain mounting kit, 4-hose kit (to connect loader to OEM midmount valve) and grill guard, if available.
 Completing Kits that end in HR2 contain mounting kit, 4-hose kit (to connect loader to tractor rear remotes) and grill guard, if available.

Unless noted, Completing Kits include Mount Kit, Woods Hydraulic Package (or 4-Hose Kit for tractor midmount OEM valve or remotes) and Grill Guard, if grill guard is available.

Completing Kits – Loader Model LU126 (Continued)

Tractor Brand / Model	Fits Tractor Type				Completing Kit Part No. **	Mount Kit	Woods® Hydraulic Package		OR	4-Hose Kit	Grill Guard	Ship Wt. (lbs.)	Suggested List Price	Notes	
	2WD	4WD	ROPS	CAB			2-Spool Valve Kit	Hoses for Loader Valve		Connects to OEM Valve or Remotes					
FORD® & NEW HOLLAND®(Continued)															
2000/3000 (1968 & Later)	X		X		111877D2	111877	1028840	1023582			57913	521	\$ 3,376	12	
2310/2610/3610	X		X		111877D2	111877	1028840	1023582			57913	521	3,376	12	
2600/3600	X		X		111877D2	111877	1028840	1023582			57913	521	3,376	12	
2810/2910/3910	X		X		111877D2	111877	1028840	1023582			57913	521	3,376	2, 12	
2810/2910/3910		X	X		111876D2	111876	1028840	1023582			57864	438	3,200	11	
3010S	X	X	X		111878D2	111878	1028840	1023562		w/mount	494		3,023		
3230/3430/3930/4630	X	X	X		111876D2	111876	1028840	1023582			57864	438	3,200	11	
4000 AP/4100 AP	X		X		111876D2	111876	1028840	1023582			57864	438	3,200	11	
4000 SU/4600 SU/4610 SU	X		X		111877D2	111877	1028840	1023582			57913	521	3,376	12	
4100/4110	X		X		111877D2	111877	1028840	1023582			57913	521	3,376	12	
4600 AP/4610 AP	X		X		111876D2	111876	1028840	1023582			57864	438	3,200	2, 11	
4610		X	X		111876D2	111876	1028840	1023582			57864	438	3,200	11	
4830/5030	X		X		111841D2	111841	1028841	1023560			N/A	468	2,919		
4835/5635	X	X		X	111834H2	111834	N/A	N/A	58025	40448	475		2,113		
5000 (1965 & Later)	X		X		111875D2	111875	1028841	1023567			1001412	483	2,954		
5600/5610/5900/6600/6610/6610S	X		X		111875D2	111875	1028841	1023567			1001412	483	2,954		
5610S	X	X	X		111875D2	111875	1028841	1023567			1001412	483	2,954		
5640/6640	X		X		111844H2	111844	N/A	N/A	58025	N/A	449		1,865		
6635/7635	X	X		X	111834H2	111834	N/A	N/A	58025	40448	475		2,113		
T4020/T4030	X	X	X	X	2300020H	2300020	N/A	N/A	1010460-MR	1012018	458		2,405	30, 33	
T4040/T4050	X	X	X		2300016H	2300016	N/A	N/A	1010460-MR	40448	472		2,405	30, 31	
T4040/T4050 (Pedestal Mount)	X	X	X	X	2300021H	2300021	N/A	N/A	1010460-MR	40448	624		3,522	30, 34	
T5040/T5050/T5060/T5070	X	X	X	X	2300009H3	2300009	N/A	N/A	1028835	1028908	438		2,398	30, 31	
T5040/T5050/T5060/T5070 (Pedestal Mount)	X	X	X	X	2300012H	2300012	N/A	N/A	1028835-MR	1028908	684		3,515	32	
TD75D/TD80D/TD90D	X	X	X	X	111889C2	111889	1028842	1023579			1009274	644		4,256	
TD75D/TD80D/TD90D	X	X	X	X	111889H2	111889			58025	1009274	612		2,955	16	
TD95D	X	X	X	X	111890C2	111890	1028842	1023579			1009274	494		3,485	
TD95D	X	X	X	X	111890H2	111890			58025	1009274	518		2,184	16	
TD5030	X	X	X	X	2300013D	2300013	1029710	1029713			1009274	490		3,695	31
TD5050 (Loader Ready)	X	X	X	X	2300014D	2300014	1029710	1029713			1009274	TBD		3,695	29, 39
TD5050	X	X	X	X	2300017D	2300017	1029710	1029713			1009274	469		3,485	29, 31
TL70/TL80	X	X	X	X	111834H2	111834	N/A	N/A	58025	40448	475		2,113		
TL80A	X	X	X	X	2300009H2	2300009	N/A	N/A	1028835-MR	1012018	411		2,359	19	
TL90/TL100	X	X	X	X	111834HR2	111834	N/A	N/A	58025-RR	40448	475		2,113		
TL90/TL100	X	X	X	X	111834HM2	111834	N/A	N/A	44434-MR	40448	459		2,064		
TL90A/TL100A	X	X	X	X	2300009H2	2300009	N/A	N/A	1028835-MR	1012018	411		2,359	19	
TN55/TN65/TN70/TN75	X	X	X		111874D2	111874	1028841	1023583			40448	486		3,132	15
TN55D/TN65D/TN70D/TN75D	X	X		X	111897H2	111897	N/A	N/A	1010460-MR	1012018	492		2,405	5, 15	
TN60A/TN70A/TN75A	X	X	X		111897D2	111897	1028841	1023583			1012018	556		3,483	15
TN60DA/TN70DA/TN75DA	X	X		X	111897H2	111897	N/A	N/A	1010460-MR	1012018	492		2,405	5, 15, 17	
TT55	X	X	X		111895D2	111895	1028840	1023558			1012018	531		3,590	

** Completing Kits that end in D/D2/D3 contain mounting kit, Woods Hydraulic Package (2-spool direct control valve and hose kit) and grill guard, if available.

Completing Kits that end in C2 or C3 contain mounting kit, Woods Hydraulic Package (2-spool cable control valve and hose kit) and grill guard, if available.

Completing Kits that end in H, H2 or H3 contain mounting kit, 4-hose kit (to connect loader to OEM remote valve) and grill guard, if available.

Completing Kits that end in HM2 contain mounting kit, 4-hose kit (to connect loader to OEM midmount valve) and grill guard, if available.

Completing Kits that end in HR2 contain mounting kit, 4-hose kit (to connect loader to tractor rear remotes) and grill guard, if available.

Unless noted, Completing Kits include Mount Kit, Woods Hydraulic Package (or 4-Hose Kit for tractor midmount OEM valve or remotes) and Grill Guard, if grill guard is available.

Completing Kits – Loader Model LU126 (Continued)

Tractor Brand / Model	Fits Tractor Type				Completing Kit Part No. **	Mount Kit	Woods® Hydraulic Package		OR	4-Hose Kit		Grill Guard	Ship Wt. (lbs.)	Suggested List Price	Notes
	2WD	4WD	ROPS	CAB			2-Spool Valve Kit	Hoses for Loader Valve		Connects to OEM Valve or Remotes					
FORD® & NEW HOLLAND®(Continued)															
TT60A/TT75A	X		X		2300005D2	2300005	1028840	1024328				1018190	435	\$ 3,425	
TT60A/TT75A		X	X		2300006D2	2300006	1028840	1024328				1018190	481	3,605	
TT75	X	X	X		111893D2	111893	1028840	1023558				1012018	520	3,590	20
Workmaster 65/75	X	X	X		2300031D	2300031	1028840	1024328				1018190	TBD	3,479	
JOHN DEERE®															
820	X		X		111843D2	111843	1028841	1023564				N/A	370	2,812	
830/830 Orchard	X		X		111843D2	111843	1028841	1023564				N/A	370	2,812	
1020/1520/2020	X		X		111843D2	111843	1028841	1023564				N/A	370	2,812	1
1530/1530 Orchard	X		X		111843D2	111843	1028841	1023564				N/A	370	2,812	1
2030/2630	X		X		111843D2	111843	1028841	1023564				N/A	370	2,812	1
2040 Orchard/2255 Orchard	X		X		111843D2	111843	1028841	1023564				N/A	370	2,812	1
2150/2155/2040	X	X	X		111843D2	111843	1028841	1023564				N/A	370	2,812	1
2240	X	X	X		111843D2	111843	1028841	1023564				N/A	370	2,812	1
2240 NO	X		X		111843D2	111843	1028841	1023564				N/A	370	2,812	
2350/2355/2550/2555	X	X	X		211823D2	211823	1028841	1023575				1018101	483	2,940	
2355 Narrow Orchard	X		X		111843D2	111843	1028841	1023564				N/A	370	2,812	1
2440/2440 Orchard/2640	X		X		111843D2	111843	1028841	1023564				N/A	370	2,812	1
3010/3020	X		X		111862D2	111862	1028841	1023571				N/A	397	2,827	6
5045E/5055E/5065E/5075E	X	X	X		211815H	211815				1028989	1002763	TBD	2,042	40	
5103/5203/5303	X	X	X		211815HR2	211815				58025-RR	1002763	467	2,219	7	
5105/5205	X	X	X		211817H2	211817				1002877-MR	1002763	404	1,944	22	
5200/5210/5220/5300/5310/5320/5400	X	X	X		111850D2	111850	1028841	1023557				1002763	511	3,238	7, 36
5225/5325	X	X	X	X	211813HR2	211813				57924-RR	1014551	445	2,077	8, 22	
5225/5325	X	X	X	X	211813HM2	211813				1002877-MR	1014551	430	1,935	8, 22	
5410/5420/5500/5510/5520	X	X	X	X	111863D2	111863	1028841	1023557				1002763	552	3,238	8, 9, 37
5425/5525	X	X	X	X	211819HR2	211819				57924-RR	1014551	455	2,077	8	
5425/5525	X	X	X	X	211819HM2	211819				1002877-MR	1014551	455	1,935	22	
KIOTI®															
DK65/DK65C		X	X	X	111881H2	111881	N/A	N/A			1005047	1005046	472	1,902	14
DK65S		X	X	X	211814H2	211814	N/A	N/A			1005047	1012360	488	2,086	14, 35
DK75/DK90		X	X	X	2300030H	2300030	N/A	N/A			1034290	1034275	TBD	2,086	38
KUBOTA®															
M4030/M4030SU	X	X	X		111832D2	111832	1028840	1023559				N/A	536	3,480	
M4700/M5400	X	X	X		111871D2	111871	1028840	1023589				57854	433	3,413	
M4800SU/M4900SU	X	X	X		111880D2	111880	1028840	1023589				57854	494	3,200	
M4900/M5700	X	X	X		111880D2	111880	1028840	1023589				57854	494	3,200	
M4900/M5700	X	X		X	111872C3	111872	1028845	1023554				57854	567	3,768	
M5030	X	X	X		111832D2	111832	1028840	1023559				N/A	536	3,480	
M5040/M6040/M7040	X	X	X		211832D2	211832	1028840	1022991				1018206	408	2,424	
M5040/M6040/M7040	X	X		X	211832C2	211832	1028843	w/valve				1018206	461	2,573	
M5640SU	X	X	X		111880D3	111880	1028840	1030990				1018206	507	3,224	

** Completing Kits that end in D/D2/D3 contain mounting kit, Woods Hydraulic Package (2-spool direct control valve and hose kit) and grill guard, if available.
 Completing Kits that end in C2 or C3 contain mounting kit, Woods Hydraulic Package (2-spool cable control valve and hose kit) and grill guard, if available.
 Completing Kits that end in H, H2 or H3 contain mounting kit, 4-hose kit (to connect loader to OEM remote valve) and grill guard, if available.
 Completing Kits that end in HM2 contain mounting kit, 4-hose kit (to connect loader to OEM midmount valve) and grill guard, if available.
 Completing Kits that end in HR2 contain mounting kit, 4-hose kit (to connect loader to tractor rear remotes) and grill guard, if available.

Unless noted, Completing Kits include Mount Kit, Woods Hydraulic Package (or 4-Hose Kit for tractor midmount OEM valve or remotes) and Grill Guard, if grill guard is available.

Completing Kits – Loader Model LU126 (Continued)

Tractor Brand / Model	Fits Tractor Type				Completing Kit Part No. **	Mount Kit	Woods® Hydraulic Package		OR	4-Hose Kit	Grill Guard	Ship Wt. (lbs.)	Suggested List Price	Notes
	2WD	4WD	ROPS	CAB			2-Spool Valve Kit	Hoses for Loader Valve		Connects to OEM Valve or Remotes				
KUBOTA® (Continued)														
M6030	X		X		111832D2	111832	1028840	1023559			N/A	536	\$ 3,480	
M6800F/DT	X	X	X		111860D2	111860	1028840	1023589			57854	472	3,317	
M6800S/DC	X	X		X	111873C3	111873	1028845	1023554			57854	527	3,768	
M6800S/HD	X	X	X		111873D2	111873	1028840	1023589			57854	492	3,413	
M8200/M9000	X	X	X		111868D2	111868	1028841	1023561			w/mount	619	3,447	
M8200/M9000	X	X		X	111868C3	111868	1028845	1023556			w/mount	629	3,870	
LANDINI®														
1-75/1-90		X	X	X	2300030H	2300030	N/A	N/A		1034290	1034275	TBD	2,086	38
MAHINDRA®														
485/575/585	X		X		111845D2	111845	1028840	1023565			N/A	416	2,884	
4500	X		X		211820D2	211820	1028840	1023590			1012306	639	3,853	19
4500		X	X		111894D2	111894	1028840	1023590			1010424	656	3,413	19
4530		X	X		211820D3	211820	1028840	1023590			1010424	642	3,951	19, 25
5500/6000/6500		X	X		111899D2	111899	1028840	1023590			1010424	757	3,763	19, 21
5500/6000/6500	X		X		211812D2	211812	1028840	1023590			1012306	660	3,527	19
5520/6520	X	X	X		211811D2	211811	1028841	1023563			1014132	420	3,151	
7010		X		X	211825H2	211825	N/A	N/A		1018980	1018960	529	2,454	26
7520	X	X	X		211811D2	211811	1028841	1023563			1014132	420	3,151	
MASSEY FERGUSON®														
240/253		X	X		111855D2	111855	1028841	1023566			N/A	555	2,991	10
271XE	X		X		111869D2	111869	1028840	1023591			1002860	592	3,273	
281XE	X	X	X		111869D2	111869	1028840	1023591			1002860	592	3,273	
431	X		X		211816D2	211816	1028840	1015049			1015045	544	3,210	
451	X	X	X		211810D2	211810	1028840	1023555			1014395	539	3,693	
461		X	X		211828D2	211828	1028840	1023080			1018163	562	3,868	
461		X	X		211828H2	211828				1000529	1018163	534	2,862	
471/481	X	X	X		111869D3	111869	1028841	1023591			1013347	605	3,351	
543/563	X	X	X		211828D2	211828	1028840	1023080			1018163	562	3,868	
543/563	X	X	X		211828H2	211828				1000529	1018163	534	2,862	
573/583	X	X	X		2300007D2	2300007	1028840	1024025			1013347	544	3,704	
2605/2615/2625		X	X		2300028D	2300028	1032987	1032897			1032895	602	3,626	
3625/3635/3645	X	X	X	X	2300008H	2300008	N/A	N/A		1025970-MR	1025263	565	2,765	27
4225/4235 (SN U & Prior)	X	X	X	X	111857H2	111857	N/A	N/A		58025	N/A	432	1,865	
4225/4235 (SN G & Later)	X	X	X		111867D2	111867	1028841	1023592			44516	558	3,251	
5435/5445	X	X	X	X	211822H2	211822	N/A	N/A		58025	1015430	505	2,361	23
McCORMICK®														
CX70/CX80	X	X	X	X	111864C2	111864	1028845	58029			57862	485	3,590	28
X10.75/X10.90		X	X	X	2300030H	2300030	N/A	N/A		1034290	1034275	TBD	2,086	38

** Completing Kits that end in D/D2/D3 contain mounting kit, Woods Hydraulic Package (2-spool direct control valve and hose kit) and grill guard, if available.
 Completing Kits that end in C2 or C3 contain mounting kit, Woods Hydraulic Package (2-spool cable control valve and hose kit) and grill guard, if available.
 Completing Kits that end in H, H2 or H3 contain mounting kit, 4-hose kit (to connect loader to OEM remote valve) and grill guard, if available.
 Completing Kits that end in HM2 contain mounting kit, 4-hose kit (to connect loader to OEM midmount valve) and grill guard, if available.
 Completing Kits that end in HR2 contain mounting kit, 4-hose kit (to connect loader to tractor rear remotes) and grill guard, if available.

Miscellaneous – Loader Model LU126

Part No.	Description	Shipping Wt. (lbs.)	Suggested List Price
1005093	Paint – Case of 12 Spray Cans – Red to match Case IH®	13	\$ 178.00
1005094	Paint – Case of 12 Spray Cans – Yellow to match Cub Cadet®	13	178.00
1005095	Paint – Case of 12 Spray Cans – Blue to match New Holland® Vibrant Blue	13	178.00
1005096	Paint – Case of 12 Spray Cans – Blue to match New Holland Ford® Blue	13	178.00
1005097	Paint – Case of 12 Spray Cans – Orange to match Kubota®	13	178.00
1005098	Paint – Case of 12 Spray Cans – Red to match Massey Ferguson®	13	178.00

UTILITY SERIES LOADERS – TRACTOR NOTES

SECTION 4

Tractor Notes – Loader Model LU126

1. Hose kit 1023564 for open center hydraulics ONLY.
2. Fits Series I and II.
3. Does not fit with heavy-duty, I-beam front axle (585/595).
4. Mount is compatible with Case 292861A cable control valve kit.
5. Use Case/New Holland joystick OEM valve.
6. Late model 3020 equipped with console hydraulic controls, must use Woods® hose kit 1023570 in place of 1023571.
7. John Deere® selective control valve (SCV) requires Woods hose kit 58025 to connect to tractor rear-remote couplers.
8. John Deere selective control valve (SCV) requires Woods hose kit 57924.
9. Fits 12.4 x 24 and smaller front tires.
10. Hose Kit 1023566 requires selector valve #TS300 from Tisco® or 1075120M92 from Massey Ferguson.
11. Does not fit tractors with swept-back front axles. For tractors with swept-back front axles use mounting kit 111877.
12. Does not fit tractors with straight front axles. For tractors with straight front axles use mounting kit 111876.
13. Hose kit 1009024 requires Case IH mid-remote cable control valve.
14. Hose kit 1005047 is for tractor remote valve.
15. Does not fit tractors with Super Steer or Orchard/Vineyard models.
16. Mount is compatible with OEM cable control valve kit, but additional fittings may be required.
17. Hose kit 1010460 requires OEM mid-remote loader valve.
18. Hose kit 1028835 may be used to connect to OEM mid-remote loader valve.
19. Grill guard can be used with or without optional front weight bracket.
20. Hose kit 57923 may be used to connect to OEM mid-remote loader valve.
21. For proper tire clearance, the front tire width must be set to 68". Adjust steering stops as needed.
22. Hose kit 1002877 connects to tractor mid-remote couplers, and requires John Deere Mid Selective Control Valve (SCV).
23. Fits 14.9R24 or smaller tires. Oscillation stop included. Adjust steering stop, recommend 64.5" front wheel width.
24. Hose kit 1028836 requires tractor mid-mount loader valve.
25. Set wheel tread width to maximum for best steering angle.
26. Hose kit 1018980 requires tractor mid-mount loader valve.
27. Hose kit 1025970 requires Massey Ferguson mid-remote cable control valve.
28. Hose kit 58029 requires one rear tractor remote valve to provide oil flow to the loader valve.
29. Tractor steering stop adjustment required for some tire sizes and front tread settings.
30. Requires OEM mid-mount loader control valve.
31. Not compatible with OEM "Loader Ready" mounting brackets.
32. Requires "Loader Ready" mounting brackets and OEM mid-mount loader control valve.
33. Requires 1030925 "Loader Ready" mounting brackets if not equipped with OEM "Loader Ready" mounting brackets.
34. Requires 1028742 "Loader Ready" mounting brackets if not equipped with OEM "Loader Ready" mounting brackets.
35. Tractor must be equipped with vertical exhaust.
36. Tractors with Cab require valve kit 1028845 and hose kit 1023557 OR John Deere Selective Control Valve (SCV) and 4-hose kit.
37. Tractors with Cab, use Component Order pages to complete order.
38. Hose kit connects to OEM loader valve supplied with tractor.
39. Tractor must be equipped with loader ready brackets.
40. Hose kit 1028989 connects to tractor mid-remote couplers and requires John Deere Mid Selective Control Valve (SCV).

LU126 Features and Specifications

FEATURES:

- Curved loader boom
- Midmount loader boom attachment
- Fast D-Tach loader
- Parking stands – stored in loader boom cross tube
- Rod bucket level indicator
- 4-bar bucket linkage
- Manual tube on the loader boom cross tube
- Optional Quick Attachment Coupler System
- Construction grade buckets
- 2-year warranty



SPECIFICATIONS:

- Fits 45 – 90 hp tractors (2WD & FWA)
- Lift height: 126 inches
- Lift cylinders: 2.48 inches; Bucket cylinders: 2.76 inches
- Lift capacity at bucket pins: 3000 lbs.
- Lift capacity at 31.5 inches ahead of bucket pivot pins: 1970 lbs.
- Capacities rated at 2750 psi

- Breakout at bucket pins: 4650 lbs.
- Breakout at 31.5 inches ahead of bucket pivot pins: 3250 lbs.
- Maximum digging depth: 5 inches
- Dump angle: 50 degrees
- Roll back angle: 35 degrees
- Reach at maximum height: 29 inches
- Pivot pins diameter: 1.25 inches

To Order a Complete Loader by Ordering Individual Components

- Find the tractor brand and model you are attempting to fit in the **Tractor/Loader Adaptability Chart**.
- Select the loader model you wish to price (each model belongs to a Loader Series, i.e., Utility Series).
- Go to the appropriate Loader Model **Component Order** tab.
- Find the tractor brand / model you are fitting in the **Tractor Reference** section – part numbers needed to configure a loader are listed (except loader frame and bucket).
- Order loader frame.
- Order front-end attachment(s).
- Order mounting kit.
- Order valve kit.
- Order hose kit OR 4-hose kit to connect to OEM remote valve.
- Order grill guard.

Be sure to refer to the “Notes” column; Tractor Notes are found at the end of each tabbed section in the Loader price pages.

Prices for each component are listed in the appropriate component section.

If you have any questions, please contact Woods® Dealer Services.

EXAMPLE:

When ordering a loader to fit a Ford®-New Holland® tractor, model TN60A, do the following:

1. The Ford-New Holland TN60A tractor is fit by two Woods loader models: LU126 and LU132. (Reference the Tractor/Loader Adaptability Chart.) Let's select the LU126.
2. Flip to the LU126 **Components** tab and go to the Tractor Reference Chart for components to order to complete the LU126 Loader.
 - a. **Section 1** – Order the loader frame #2312657 (Vibrant Blue to match New Holland).
 - b. **Section 2** – Order the bucket #2360072 (72” pin attach bucket).
Note: If selecting a quick change system, order Quick Attachment Coupler System and buckets compatible with the Quick Attachment Coupler System. Other front end attachments may be ordered within this section.
 - c. **Section 3** – Order the mounting kit #111897.
 - d. **Section 4** – Order the valve kit #1028841.
 - e. **Section 5** – #1023583 included with valve OR the 4-hose kit #1010460 if using OEM loader valve.
 - f. **Section 6** – Order grill guard #1012018.

UTILITY SERIES LOADERS – MODEL LU126 TRACTOR REFERENCE CHART

Tractor Brand / Model	Fits Tractor Type				Mount Kit	Hydraulic Package		OR	4-Hose Kit		Tractor Notes
	2WD	4WD	ROPS	CAB		2-Spool Valve Kit	Hoses for Loader Valve		Connects to OEM Valve	Grill Guard	
AGCO®											
GT45A/GT55A	X	X	X		211818	1028845	1023574		N/A	1015178	
GT45A/GT55A	X	X		X	211818	1028845	1023574		N/A	1015178	
GT65A/GT75A	X	X	X		211821	1028845	1023574		N/A	1015178	
GT65A/GT75A	X	X		X	211821	1028845	1023574		N/A	1015178	
CASE IH®											
385/395/485/495	X	X	X		111830	1028841	58029		57924	57862	28
454	X		X		111830	1028841	58029		57924	57862	28
464	X		X		111830	1028841	58029		57924	57862	28
484/84 Hydro	X		X		111830	1028841	58029		57924	57862	28
574/584/684	X		X		111830	1028841	58029		57924	1019090	28
585/380B	X		X		111830	1028841	58029		57924	57862	3, 28
585/595/3230	X	X	X		111833	1028841	58029		57924	57862	3, 28
674	X		X		111830	1028841	58029		57924	57862	28
3220	X	X	X		111830	1028841	58029		57924	57862	28
C50/C60	X	X	X		111830	1028841	58029		57924	57862	28
C70/C80	X	X	X		111833	1028841	58029		57924	57862	28
CX50/CX60	X	X	X	X	111865	1028845	58029		58025	57862	4, 28
CX70/CX80	X	X	X	X	111864	1028845	58029		58025	57862	4, 28
Farmall® 65A/75A	X	X	X		2300031	1028840	1024328		N/A	1018190	
Farmall 65C/75C	X	X	X	X	2300020	N/A	N/A		1010460-MR	1012018	30, 33
Farmall 70/80	X	X	X	X	2300013	1029710	1029713		N/A	1009274	31
Farmall 85/95	X	X	X	X	2300017	1029710	1029713		N/A	1009274	29, 31
Farmall 85C/95C	X	X	X		2300016	N/A	N/A		1010460-MR	40448	30, 31
Farmall 85C/95C (Pedestal Mount)	X	X	X	X	2300021	N/A	N/A		1010460-MR	40448	30, 34
Farmall 85U/95U/105U	X	X	X	X	2300009	N/A	N/A		1028835	1028908	30, 31
Farmall 85U/95U/105U (Pedestal Mount)	X	X	X	X	2300012	N/A	N/A		1028835-MR	1028908	32
Farmall 90/95	X	X	X	X	2300014	1029710	1029713		N/A	1009274	29, 39
JX55/JX65/JX75/JX85 (Turbo & Non-Turbo versions)	X	X	X	X	111889	1028842	1023579		58025	1009274	16
JX60/JX70/JX80/JX90	X	X	X	X	111889	1028842	1023579		58025	1009274	16
JX80U	X	X	X	X	111885	N/A	N/A		1009024-MR	1009021	13
JX90U/JX100U	X	X	X	X	111885	N/A	N/A		1009024-MR	1009021	13
JX95	X	X	X	X	111890	1028842	1023579		58025	1009274	16
JX1060C/JX1070C/JX1075C	X	X	X		111897	1028841	1023583		1010460-MR	1012018	5, 15, 17
JX1060C/JX1070C/JX1075C	X	X		X	111897	N/A	N/A		1010460-MR	1012018	5, 15, 17
JX1080U	X	X	X	X	2300009	N/A	N/A		1028835	1012018	18
JX1090U/JX1100U	X	X	X	X	2300009	N/A	N/A		1028835	1012018	18
CHALLENGER®											
MT425B/MT445B	X	X	X	X	211822	N/A	N/A		58025	1015430	23
FORD® & NEW HOLLAND®											
2000/3000 (1968 & Later)	X		X		111877	1028840	1023582		57923	57913	12
2310/2610/3610	X		X		111877	1028840	1023582		57923	57913	12
2600/3600	X		X		111877	1028840	1023582		57923	57913	12
2810/2910/3910	X		X		111877	1028840	1023582		57923	57913	2, 12
2810/2910/3910		X	X		111876	1028840	1023582		57923	57864	11
3010S	X	X	X		111878	1028840	1023562		N/A	w/mount	
3230/3430/3930/4630	X	X	X		111876	1028840	1023582		57923	57864	11
4000 AP/4100 AP	X		X		111876	1028840	1023582		57923	57864	11
4000 SU/4600 SU/4610 SU	X		X		111877	1028840	1023582		57923	57913	12
4100/4110	X		X		111877	1028840	1023582		57923	57913	12
4600 AP/4610 AP	X		X		111876	1028840	1023582		57923	57864	2, 11
4610		X	X		111876	1028840	1023582		57923	57864	11
4830/5030	X		X		111841	1028841	1023560		57923	N/A	

Tractor Reference Chart continued on next page.

Note: If listed, 4-hose kit for use with tractor remotes may be ordered instead of Woods valve and hose kit for loader valve.

UTILITY SERIES LOADERS – MODEL LU126 TRACTOR REFERENCE CHART (Continued)

Tractor Brand / Model	Fits Tractor Type				Mount Kit	Hydraulic Package		OR	4-Hose Kit		Tractor Notes
	2WD	4WD	ROPS	CAB		2-Spool Valve Kit	Hoses for Loader Valve		Connects to OEM Valve	Grill Guard	
FORD® & NEW HOLLAND® (Continued)											
4835/5635	X	X		X	111834	N/A	N/A		58025	40448	
5000 (1965 & Later)	X		X		111875	1028841	1023567		57923	1001412	
5600/5610/5900/6600/6610/6610S	X		X		111875	1028841	1023567		57923	1001412	
5610S	X	X	X		111875	1028841	1023567		57923	1001412	
5640/6640	X		X		111844	N/A	N/A		58025	N/A	
6635/7635	X	X		X	111834	N/A	N/A		58025	40448	
T4020/T4030	X	X	X	X	2300020	N/A	N/A		1010460-MR	1012018	30, 33
T4040/T4050	X	X	X		2300016	N/A	N/A		1010460-MR	40448	30, 31
T4040/T4050 (Pedestal Mount)	X	X	X	X	2300021	N/A	N/A		1010460-MR	40448	30, 34
T5040/T5050/T5060/T5070	X	X	X	X	2300009	N/A	N/A		1028835	1028908	30, 31
T5040/T5050/T5060/T5070 (Pedestal Mount)	X	X	X	X	2300012	N/A	N/A		1028835-MR	1028908	32
TD75D/TD80D/TD90D	X	X	X	X	111889	1028842	1023579		58025	1009274	16
TD95D	X	X	X	X	111890	1028842	1023579		58025	1009274	16
TD5030	X	X	X	X	2300013	1029710	1029713		N/A	1009274	31
TD5050 (Loader Ready)	X	X	X	X	2300014	1029710	1029713		N/A	1009274	29, 39
TD5050	X	X	X	X	2300017	1029710	1029713		N/A	1009274	29, 31
TL70/TL80	X	X	X	X	111834	N/A	N/A		58025	40448	
TL80A	X	X	X	X	2300009	N/A	N/A		1028835	1012018	19
TL90/TL100	X	X	X	X	111834	N/A	N/A		58025-RR, 44434-MR	40448	
TL90A/TL100A	X	X	X	X	2300009	N/A	N/A		1028835	1012018	19
TN55/TN65/TN70/TN75	X	X	X		111874	1028841	1023583		58025	40448	15
TN55D/TN65D/TN70D/TN75D	X	X		X	111897	N/A	N/A		1010460-MR	1012018	5, 15
TN60A/TN70A/TN75A	X	X	X		111897	1028841	1023583		1010460-MR	40448	15
TN60DA/TN70DA/TN75DA	X	X		X	111897	N/A	N/A		1010460-MR	1012018	5, 15, 17
TT55	X	X	X		111895	1028840	1023558		57923	1012018	
TT60A/TT75A	X		X		2300005	1028840	1024328		N/A	1018190	
TT60A/TT75A		X	X		2300006	1028840	1024328		N/A	1018190	
TT75	X	X	X		111893	1028840	1023558		57923	1012018	20
Workmaster 65/75	X	X	X		2300031	1028840	1024328		N/A	1018190	
JOHN DEERE®											
820	X		X		111843	1028841	1023564		57923	N/A	
830/830 Orchard	X		X		111843	1028841	1023564		57923	N/A	
1020/1520/2020	X		X		111843	1028841	1023564		57923	N/A	1
1530/1530 Orchard	X		X		111843	1028841	1023564		57923	N/A	1
2030/2630	X		X		111843	1028841	1023564		57923	N/A	1
2040 Orchard/2255 Orchard	X		X		111843	1028841	1023564		57923	N/A	1
2150/2155/2040	X	X	X		111843	1028841	1023564		57923	N/A	1
2240	X	X	X		111843	1028841	1023564		57923	N/A	1
2240 NO	X		X		111843	1028841	1023564		57923	N/A	
2350/2355/2550/2555	X	X	X		211823	1028841	1023575		N/A	1018101	
2355 Narrow Orchard	X		X		111843	1028841	1023564		57923	N/A	1
2440/2440 Orchard/2640	X		X		111843	1028841	1023564		57923	N/A	1
3010/3020	X		X		111862	1028841	1023571		N/A	N/A	6
5045E/5055E/5065E/5075E	X	X	X		211815	N/A	N/A		1028989	1002763	40
5103/5203/5303	X	X	X		211815	N/A	N/A		58025-RR	1002763	7
5105/5205	X	X	X		211817	N/A	N/A		1002877-RR	1002763	22
5200/5210/5220/5300/5310/5320/5400	X	X	X		111850	1028841	1023557		58025-RR, 1002877-MR	1002763	7, 36
5225/5325	X	X	X	X	211813	N/A	N/A		57924-RR, 1002877-MR	1014551	8, 22
5410/5420/5500/5510/5520	X	X	X	X	111863	1028841	1023557		57924-RR, 1002877-MR	1002763	8, 9, 37
5425/5525	X	X	X	X	211819	N/A	N/A		57924-RR, 1002877-MR	1014551	8, 22

Tractor Reference Chart continued on next page.

Note: If listed, 4-hose kit for use with tractor remotes may be ordered instead of Woods valve and hose kit for loader valve.

UTILITY SERIES LOADERS – MODEL LU126 TRACTOR REFERENCE CHART (Continued)

Tractor Brand / Model	Fits Tractor Type				Mount Kit	Hydraulic Package		OR	4-Hose Kit		Grill Guard	Tractor Notes
	2WD	4WD	ROPS	CAB		2-Spool Valve Kit	Hoses for Loader Valve		Connects to OEM Valve			
KIOTI®												
DK65/DK65C		X	X	X	111881	N/A	N/A		1005047	1005046	14	
DK65S		X	X	X	211814	N/A	N/A		1005047	1012360	14, 35	
DK75/DK90		X	X	X	2300030	N/A	N/A		1034290	1034275	38	
KUBOTA®												
M4030/M4030 SU	X	X	X		111832	1028840	1023559		N/A	N/A		
M4700/M5400	X	X	X		111871	1028840	1023589		57923	57854		
M4800SU/M4900SU	X	X	X		111880	1028840	1023589		57923	57854		
M4900/M5700	X	X	X		111880	1028840	1023589		57923	57854		
M4900/M5700	X	X		X	111872	1028845	1023554		57923	57854		
M5030	X	X	X		111832	1028840	1023559		N/A	N/A		
M5040/M6040/M7040	X	X	X		211832	1028840	1022991		1028836	1018206	24	
M5040/M6040/M7040	X	X		X	211832	1028843	included w/valve		1028836	1018206	24	
M5640SU	X	X	X		111880	1028840	1030990		57923	1018206		
M6030	X		X		111832	1028840	1023559		N/A	N/A		
M6800F/DT	X	X	X		111860	1028840	1023589		57923	57854		
M6800S/DC	X	X		X	111873	1028845	1023554		57923	57854		
M6800S/HD	X	X	X		111873	1028840	1023589		57923	57854		
M8200/M9000	X	X	X		111868	1028841	1023561		40542	w/mount		
M8200/M9000	X	X		X	111868	1028845	1023556		40542	w/mount		
LANDINI®												
1-75/1-90		X	X	X	2300030	N/A	N/A		1034290	1034275	38	
MAHINDRA®												
485/575/585	X		X		111845	1028840	1023565		N/A	N/A		
4500	X		X		211820	1028840	1023590		N/A	1012306	19	
4500		X	X		111894	1028840	1023590		N/A	1010424	19	
4530		X	X		211820	1028840	1023590		N/A	1010424	19, 25	
5500/6000/6500		X	X		111899	1028840	1023590		N/A	1010424	19, 21	
5500/6000/6500	X		X		211812	1028840	1023590		N/A	1012306	19	
5520/6520	X	X	X		211811	1028841	1023563		N/A	1014132		
7010		X		X	211825	N/A	N/A		1018980	1018960	26	
7520	X	X	X		211811	1028841	1023563		N/A	1014132		
MASSEY FERGUSON®												
240/253		X	X		111855	1028841	1023566		57924	N/A	10	
271XE	X		X		111869	1028840	1023591		1000529	1002860		
281XE	X	X	X		111869	1028840	1023591		1000529	1002860		
431	X		X		211816	1028840	1015049		N/A	1015045		
451	X	X	X		211810	1028840	1023555		1000529	1014395		
461		X	X		211828	1028840	1023080		1000529	1018163		
471/481	X	X	X		111869	1028841	1023591		N/A	1013347		
543/563	X	X	X		211828	1028840	1023080		1000529	1018163		
573/583	X	X	X		2300007	1028840	1024025		N/A	1013347		
2605/2615/2625		X	X		2300028	1032987	1032897		N/A	1032895		
3625/3635/3645	X	X	X	X	2300008	N/A	N/A		1025970-MR	1025263	27	
4225/4235 (SN U & Prior)	X	X	X	X	111857	N/A	N/A		58025	N/A		
4225/4235 (SN G & Later)	X	X	X		111867	1028841	1023592		58025	44516		
5435/5445	X	X	X	X	211822	N/A	N/A		58025	1015430	23	
McCORMICK®												
CX70/CX80	X	X	X	X	111864	1028845	58029		58025	57862	28	
X10.75/X10.90		X	X	X	2300030	N/A	N/A		1034290	1034275	38	

Note: If listed, 4-hose kit for use with tractor remotes may be ordered instead of Woods valve and hose kit for loader valve.

Frames – Loader Model LU126

Part No.	Description	Shipping Wt. (lbs.)	Suggested List Price
2312650	Black (Universal)	714	\$ 4,684.00
2312651	Green to match John Deere®	714	4,684.00
2312652	Red to match Case IH®	714	4,684.00
2312653	Blue to match Ford® & New Holland®	714	4,684.00
2312654	Orange to match Kubota®	714	4,684.00
2312655	Miscellaneous Color (Contact Dealer Service for Price and Availability)	714	4,684.00
2312656	Red to match Massey Ferguson®	714	4,684.00
2312657	Vibrant Blue to match New Holland	714	4,684.00
2312659	Red to match Branson®	714	4,684.00
2312660	Red to match Mahindra®	714	4,684.00
2312661	Red to match McCormick®	714	4,684.00
2312672	Red to match Case IH (Pedestal Mounts Only)	714	4,684.00
2312677	Vibrant Blue to match New Holland (Pedestal Mounts Only)	714	4,684.00

UTILITY SERIES LOADERS – BUCKETS & FRONT-END ATTACHMENTS

SECTION 2

Buckets & Front End Attachments – Loader Model LU126

STANDARD BUCKETS – PIN ATTACHMENT – Or choose Quick Attachment Coupler in sections below

Part No.	Width (in.)	Description	Capacity	Shipping Wt. (lbs.)	Suggested List Price	Qty. of 5 List Price *
2360072	72	Heavy-Duty Loader Bucket – Pin Attachment	17.7 cu. ft.	375	\$ 1,301.00	—

OPTIONAL QUICK ATTACHMENT COUPLER SYSTEM – Order in place of Standard Buckets above

2350000		Quick Attachment Coupler Assembly (Skid Steer Type)		84	\$ 651.00	—
2390000		ISO (Euro Style) Quick Attachment Coupler		100	651.00	—

OPTIONAL BUCKETS – Compatible with Quick Attachment Coupler System

2370072	72	Heavy-Duty Loader Bucket – Quick Attachment Coupler System (Skid Steer)	17.7 cu. ft.	377	\$ 1,301.00	—
2370084	84	Heavy-Duty Loader Bucket – Quick Attachment Coupler System (Skid Steer)	20.8 cu. ft.	420	1,406.00	—
2390072	72	Heavy-Duty Loader Bucket – ISO (Euro) Quick Attachment Coupler System	17.7 cu. ft.	360	1,301.00	—
2390084	84	Heavy-Duty Loader Bucket – ISO (Euro) Quick Attachment Coupler System	20.8 cu. ft.	406	1,406.00	—

Note: Loader buckets are punched for optional Bolt-on Cutting Edges.

OPTIONAL BOLT-ON EDGES AND TINE KITS

46384	72	Bolt-On Edge for 72" Buckets, includes hardware		55	\$ 186.00	—
46385	84	Bolt-On Edge for 84" Buckets, includes hardware		63	213.00	—
46380		Tine Kit for 72" Buckets, includes hardware (Must drill holes in bucket)		33	142.00	—
46381		Tine Kit for 84" Buckets, includes hardware (Must drill holes in bucket)		45	178.00	—

SKID STEER ATTACHMENTS – Compatible with Quick Attachment Coupler System

52756	60	MF6000 – 60" Manure Fork		349	\$ 2,070.00	—
52757	66	MF6600 – 66" Manure Fork		377	2,209.00	—
52758	72	MF7200 – 72" Manure Fork		410	2,351.00	—
52753	50	GF3000 – Grapple Attachment for Manure Forks		260	2,209.00	—
1037170		BS3044S – Single Bale Spear w/2 Stabilizer Spikes – Skid Steer Quick Attach	3000 lbs.	198	690.00	\$ 621.00
1037171		BS6044S – Double Bale Spear – Skid Steer Quick Attach	6000 lbs.	231	840.00	756.00
1037172		BS7038S – Triple Bale Spear – Skid Steer Quick Attach	7000 lbs.	252	980.00	882.00
1037797		BS3044E – Single Bale Spear w/2 Stabilizer Spikes – Euro Quick Attach	3000 lbs.	TBD	710.00	639.00
1037798		BS6044E – Double Bale Spear – Euro Quick Attach	6000 lbs.	TBD	860.00	774.00
1037799		BS7038E – Triple Bale Spear – Euro Quick Attach	7000 lbs.	TBD	1,000.00	900.00
1038172		PF4436S – Pallet Fork with 36" Lockdown Tines	4400 lbs.	394	1,079.00	971.00
1038173		PF4442S – Pallet Fork with 42" Lockdown Tines	4400 lbs.	409	1,110.00	999.00
1038174		PF4448S – Pallet Fork with 48" Lockdown Tines	4400 lbs.	428	1,129.00	1,016.00
1026750		AB720-2 – Angle Broom – 72" Sweeping Path, heavy-duty design (Alitec™ Discounts Apply)		922	6,453.00	—

* Order 5 units in any combination of bale spears or any combination of pallet forks to receive an additional 10% discount.

OPTIONAL WEIGHT BOX FOR THREE-POINT HITCH

1006124		Weight Box for Rear Ballast – Fits Category 1, 3-Point Hitch	6.0 cu. ft.	113	\$ 473.00	—
---------	--	--	-------------	-----	-----------	---

Mounting Kits – Loader Model LU126

Mount Kit Part No.	Tractor Brand / Model	Fits Tractor Type				Ship Wt. (lbs.)	Suggested List Price
		2WD	4WD	ROPS	CAB		
AGCO®							
211818	GT45A/GT55A	X	X	X		604	\$ 2,107.00
211818	GT45A/GT55A	X	X		X	604	2,107.00
211821	GT65A/GT75A	X	X	X		670	2,107.00
211821	GT65A/GT75A	X	X		X	670	2,107.00
CASE IH®							
111830	385/395/485/495	X	X	X		326	1,406.00
111830	454	X		X		326	1,406.00
111830	464	X		X		326	1,406.00
111830	484/84 Hydro	X		X		326	1,406.00
111830	574/584/684	X		X		326	1,406.00
111830	585/380B	X		X		326	1,406.00
111833	585/595/3230	X	X	X		264	1,406.00
111830	674	X		X		326	1,406.00
111830	3220	X	X	X		326	1,406.00
111830	C50/C60	X	X	X		326	1,406.00
111833	C70/C80	X	X	X		264	1,406.00
111865	CX50/CX60	X	X	X	X	356	1,335.00
111864	CX70/CX80	X	X	X	X	363	1,406.00
2300031	Farmall® 65A/75A	X	X	X		357	1,984.00
2300020	Farmall 65C/75C	X	X	X	X	415	1,757.00
2300013	Farmall 70/80	X	X	X	X	391	1,757.00
2300017	Farmall 85/95	X	X	X	X	370	1,547.00
2300016	Farmall 85C/95C	X	X	X		418	1,757.00
2300021	Farmall 85C/95C (Pedestal Mount)	X	X	X	X	570	2,874.00
2300009	Farmall 85U/95U/105U	X	X	X	X	364	1,757.00
2300012	Farmall 85U/95U/105U (Pedestal Mount)	X	X	X	X	684	2,874.00
2300014	Farmall 90/95	X	X	X	X	433	1,757.00
111889	JX55/JX65/JX75/JX85 (Turbo and Non-Turbo versions)	X	X	X	X	541	2,318.00
111889	JX60/JX70/JX80/JX90	X	X	X	X	541	2,318.00
111885	JX80U	X	X	X	X	375	1,406.00
111885	JX90U/JX100U	X	X	X	X	375	1,406.00
111890	JX95	X	X	X	X	391	1,547.00
111897	JX1060C/JX1070C/JX1075C	X	X	X		449	1,757.00
111897	JX1060C/JX1070C/JX1075C	X	X		X	449	1,757.00
2300009	JX1080U	X	X	X	X	364	1,757.00
2300009	JX1090U/JX1100U	X	X	X	X	364	1,757.00
CHALLENGER®							
211822	MT425B/MT445B	X	X	X	X	440	1,689.00
FORD® & NEW HOLLAND®							
111877	2000/3000 (1968 & Later)	X		X		432	1,547.00
111877	2310/2610/3610	X		X		432	1,547.00
111877	2600/3600	X		X		432	1,547.00
111877	2810/2910/3910	X		X		432	1,547.00
111876	2810/2910/3910		X	X		354	1,406.00
111878	3010S	X	X	X		441	1,617.00
111876	3230/3430/3930/4630	X	X	X		354	1,406.00

Mount Kit Part No.	Tractor Brand / Model	Fits Tractor Type				Ship Wt. (lbs.)	Suggested List Price
		2WD	4WD	ROPS	CAB		
FORD & NEW HOLLAND (Continued)							
111876	4000 AP/4100 AP	X		X		354	\$ 1,406.00
111877	4000 SU/4600 SU/4610 SU	X		X		432	1,547.00
111877	4100/4110	X		X		432	1,547.00
111876	4600 AP/4610 AP	X		X		354	1,406.00
111876	4610		X	X		354	1,406.00
111841	4830/5030	X		X		390	1,476.00
111834	4835/5635	X	X		X	403	1,476.00
111875	5000 (1965 & Later)	X		X		356	1,406.00
111875	5600/5610/5900/6600/6610/6610S	X		X		356	1,406.00
111875	5610S	X	X	X		356	1,406.00
111844	5640/6640	X		X		350	1,406.00
111834	6635/7635	X	X		X	403	1,476.00
2300020	T4020/T4030	X	X	X	X	415	1,757.00
2300016	T4040/T4050	X	X	X		418	1,757.00
2300021	T4040/T4050 (Pedestal Mount)	X	X	X	X	570	2,874.00
2300009	T5040/T5050/T5060/T5070	X	X	X	X	364	1,757.00
2300012	T5040/T5050/T5060/T5070 (Pedestal Mount)	X	X	X	X	684	2,874.00
111889	TD75D/TD80D/TD90D	X	X	X	X	541	2,318.00
111890	TD95D	X	X	X	X	391	1,547.00
2300013	TD5030	X	X	X	X	391	1,757.00
2300014	TD5050 (Loader Ready)	X	X	X	X	433	1,757.00
2300017	TD5050	X	X	X	X	370	1,547.00
111834	TL70/TL80	X	X	X	X	403	1,476.00
2300009	TL80A	X	X	X	X	364	1,757.00
111834	TL90/TL100	X	X	X	X	403	1,476.00
2300009	TL90A/TL100A	X	X	X	X	364	1,757.00
111874	TN55/TN65/TN70/TN75	X	X	X		361	1,406.00
111897	TN55D/TN65D/TN70D/TN75D	X	X		X	449	1,757.00
111897	TN60A/TN70A/TN75A	X	X	X		449	1,757.00
111897	TN60DA/TN70DA/TN75DA	X	X		X	449	1,757.00
111895	TT55	X	X	X		450	1,969.00
2300005	TT60A/TT75A	X		X		346	1,930.00
2300006	TT60A/TT75A		X	X		360	2,117.00
111893	TT75	X	X	X		439	1,969.00
2300031	Workmaster 65/75	X	X	X		357	1,984.00
JOHN DEERE®							
111843	820	X		X		296	1,406.00
111843	830/830 Orchard	X		X		296	1,406.00
111843	1020/1520/2020	X		X		296	1,406.00
111843	1530/1530 Orchard	X		X		296	1,406.00
111843	2030/2630	X		X		296	1,406.00
111843	2040 Orchard/2255 Orchard	X		X		296	1,406.00
111843	2150/2155/2040	X	X	X		296	1,406.00
111843	2240	X	X	X		296	1,406.00
111843	2240 NO	X		X		296	1,406.00
211823	2350/2355/2550/2555	X	X	X		359	1,406.00

Mounting Kits continued on next page.

Mounting Kits – Loader Model LU126 (Continued)

Mount Kit Part No.	Tractor Brand / Model	Fits Tractor Type				Ship Wt. (lbs.)	Suggested List Price
		2WD	4WD	ROPS	CAB		
JOHN DEERE® (Continued)							
111843	2355 Narrow Orchard	X		X		296	\$ 1,406.00
111843	2440/2440 Orchard/2640	X		X		296	1,406.00
111862	3010/3020	X		X		321	1,447.00
211815	5103/5203/5303	X	X	X		336	1,406.00
211817	5105/5205	X	X	X	X	330	1,406.00
111850	5200/5210/5220/5300/ 5310/5320/5400	X	X	X	X	326	1,406.00
211813	5225/5325	X	X	X	X	362	1,406.00
111863	5410/5420/5500/5510/ 5520	X	X	X		367	1,406.00
211815	5045E/5055E/5065E/ 5075E	X	X	X		336	1,406.00
211819	5425/5525	X	X	X	X	387	1,406.00
KIOTI®							
111881	DK65/DK65C		X	X	X	391	1,476.00
211814	DK65S		X	X	X	421	1,617.00
2300030	DK75/DK90		X	X	X	338	1,583.00
KUBOTA®							
111832	M4030/M4030 SU	X	X	X		486	1,969.00
111871	M4700/M5400	X	X	X		344	1,689.00
111880	M4800SU/M4900SU	X	X	X		405	1,476.00
111880	M4900/M5700	X	X	X		405	1,476.00
111872	M4900/M5700	X	X		X	443	1,689.00
111832	M5030	X	X	X		486	1,969.00
211832	M5040/M6040/M7040	X	X	X	X	307	721.00
111880	M5640SU	X	X	X		405	1,476.00
111832	M6030	X		X		486	1,969.00
111860	M6800F/DT	X	X	X		383	1,593.00
111873	M6800S/DC	X	X		X	403	1,689.00
111873	M6800S/HD	X	X	X		403	1,689.00
111868	M8200/M9000	X	X	X		538	1,969.00
111868	M8200/M9000	X	X		X	538	1,969.00

Mount Kit Part No.	Tractor Brand / Model	Fits Tractor Type				Ship Wt. (lbs.)	Suggested List Price
		2WD	4WD	ROPS	CAB		
LANDINI®							
2300030	1-75/1-90		X	X	X	338	\$ 1,583.00
MAHINDRA®							
111845	485/575/585	X		X		364	1,406.00
211820	4500	X		X		546	2,295.00
111894	4500		X	X		560	1,757.00
211820	4530		X	X		546	2,295.00
111899	5500/6000/6500		X	X		661	2,107.00
211812	5500/6000/6500	X		X		567	1,969.00
211811	5520/6520	X	X	X		315	1,689.00
211825	7010		X		X	490	2,067.00
211811	7520	X	X	X		315	1,689.00
MASSEY FERGUSON®							
111855	240/253		X	X		481	1,689.00
111869	271XE	X		X		478	1,617.00
111869	281XE	X	X	X		478	1,617.00
211816	431	X		X		474	1,757.00
211810	451	X	X	X		448	1,969.00
211828	461		X	X		462	2,184.00
111869	471/481	X	X	X		478	1,617.00
211828	543/563	X	X	X		462	2,184.00
2300007	573/583	X	X	X		445	2,067.00
2300028	2605/2615/2625		X	X		470	2,158.00
2300008	3625/3635/3645	X	X	X	X	578	2,192.00
111857	4225/4235 (SN U & Prior)	X	X	X	X	400	1,406.00
111867	4225/4235 (SN G & Later)	X	X	X		455	1,689.00
211822	5435/5445	X	X	X	X	440	1,689.00
MCCORMICK®							
111864	CX70/CX80	X	X	X	X	363	1,406.00
2300030	X10.75/X10.90		X	X	X	338	1,583.00

UTILITY SERIES LOADERS – LOADER VALVE KITS

SECTION 4

Valve Kits – Loader Model LU126

Part No.	Description	Shipping Wt. (lbs.)	Suggested List Price
1028840	Joystick Valve Kit – 2 function, 2500 psi relief – Direct Control, Series Regenerative	40	\$ 1,124.00
1028841	Joystick Valve Kit – 2 function, 2750 psi relief – Direct Control, Parallel	62	1,124.00
1028842	Joystick Valve Kit – 2 function, 2500 psi relief – Cable Control, Series Regenerative	58	1,547.00
1028843	Joystick Valve Kit – 2 function, 2500 psi relief – Cable Control, Series Regenerative (includes hoses)	51	1,547.00
1028844	Joystick Valve Kit – 2 function, 2750 psi relief – Cable Control, Parallel (includes hoses)	61	1,547.00
1028845	Joystick Valve Kit – 2 function, 2750 psi relief – Cable Control, Parallel	70	1,547.00
1029710	Joystick Valve Kit – 2 function, 2500 psi relief – Cable Control, Series Regenerative	51	1,547.00
1028722	Optional hydraulic self-level kit (maintains level position of bucket/attachment as loader is raised; no leveling as loader is lowered)	20	982.00
1032987	2-Spool Valve Kit	40	978.00

Hose Kits – Loader Model LU126

Part No.	Description	Shipping Wt. (lbs.)	Suggested List Price
40542	Hose Kit – (4) 150" connects loader feedlines to tractor remote couplers	29	\$ 424.00
44434	Hose Kit – (4) 76" connects loader feedlines to tractor mid remote couplers	16	410.00
57923	Hose Kit – (4) 120" connects loader feedlines to tractor rear remote couplers	25	387.00
57924	Hose Kit – (4) 150" connects loader feedlines to tractor remote couplers	31	424.00
58025	Hose Kit – (4) 150" connects loader feedlines to tractor remote couplers	32	459.00
58029	Hose Kit – (2) 120" w/check valve, connects loader valve to tractor remote couplers	16	459.00
1000529	Hose Kit – (4) 150" connects loader feedlines to tractor rear remote couplers	27	387.00
1002877	Hose Kit – (4) 60" for Mid Tractor remotes	16	282.00
1005047	Hose Kit – (4) 48" connects loader feedlines to tractor remote couplers; Note: Includes couplers	9	213.00
1009024	Hose Kit – (4) 54" connects loader feedlines to tractor	10	424.00
1010460	Hose Kit – (4) 76" Case IH® and Ford® & New Holland®, reference 111897/2300016/2300020/2300021 mount kits	16	470.00
1015049	Hose Kit – Power Beyond, Massey Ferguson® 431, reference 211816 mount kit	3	213.00
1018980	Hose Kit – (4) 74" connects loader feedlines to tractor mid remote couplers	16	248.00
1022991	Hose Kit – Power Beyond, Kubota M5040/M6040/M7040, reference 211832 mount kit	9	277.00
1023080	Hose Kit – Power Beyond, Massey Ferguson 461, 543/563, reference 211828 mount kit	13	269.00
1023554	Hose Kit – Power Beyond, Kubota® M4900/M5700 & M6800S/DC with cab, reference 111872/111873 mount kits	13	319.00
1023555	Hose Kit – Power Beyond, Massey Ferguson 451, reference 211810 mount kit	14	387.00
1023556	Hose Kit – Power Beyond, Kubota M8200/M9000 with cab, reference 111868 mount kit	17	354.00
1023557	Hose Kit – Power Beyond, John Deere® 5000 Series, reference 111850/111863 mount kits	19	354.00
1023558	Hose Kit – Power Beyond, New Holland® TT55/TT75 reference 111893/111895 mount kits	12	319.00
1023559	Hose Kit – Power Beyond, Kubota M4030/M5030/M6030, reference 111832 mount kit	8	387.00
1023560	Hose Kit – (2) 80" connects loader valve to tractor remote couplers	11	319.00
1023561	Hose Kit – Power Beyond, Kubota M8200/M9000 without cab, reference 111868 mount kit	14	354.00
1023562	Hose Kit – Power Beyond, Ford® & New Holland 3010S, reference 111878 mount kit	11	282.00
1023563	Hose Kit – Power Beyond, Mahindra® 5520/6520/7520, reference 211811 mount kit	15	169.00
1023564	Hose Kit – Power Beyond, John Deere 820 thru 2640, reference 111843 mount kit	7	282.00
1023565	Hose Kit – Power Beyond, Mahindra 485/575/585, reference 111845 mount kit	10	354.00
1023566	Hose Kit – (2) 80" Massey Ferguson 240/253, fits with MF Selector Valves, reference 111855 mount kit	7	178.00
1023567	Hose Kit – (2) 120", Ford & New Holland 5000, 5600/5610/5900/6600/6610/6610S, 5610S, ref. 111875 mount kit	12	282.00
1023570	Hose Kit – Closed Center, John Deere late model 3020, reference 111862 mount kit	12	282.00
1023571	Hose Kit – John Deere 3010 & early model 3020, reference 111862 mount kit	9	256.00
1023574	Hose Kit – Power Beyond, Agco® GT45A/GT55A/GT65A/GT75A, reference 211818/211821 mount kits	12	256.00
1023575	Hose Kit – Closed Center, John Deere 2350/2355/2550/2555, reference 211823 mount kit	15	213.00
1023579	Hose Kit – Power Beyond, Case IH and Ford & New Holland, reference 111889/111890 mount kits	6	213.00
1023582	Hose Kit – Power Beyond with Hydraulic Block, Ford & New Holland, reference 111876/111877 mount kits	22	492.00
1023583	Hose Kit – Power Beyond, Case IH and Ford & New Holland, reference 111874/111897 mount kits	18	424.00
1023589	Hose Kit – Power Beyond, Kubota M4700/M5400, M4800SU/M4900SU, M4900/M5700 without cab, M6800F/DT & M6800S/HD without cab, reference 111860/111871/111873/111880 mount kits	10	387.00
1023590	Hose Kit – Power Beyond, Mahindra 4500/4530, 5500/6000/6500, reference 111894/111899/211812/211820 mount kits	6	178.00
1023591	Hose Kit – Power Beyond, Massey Ferguson 271XE/281XE, 471/481, reference 111869 mount kit	16	354.00
1023592	Hose Kit – Power Beyond, Massey Ferguson 4225/4235, reference 111867 mount kit	11	225.00
1024025	Hose Kit – Power Beyond, Massey Ferguson 573/583, reference 2300007 mount kit	13	262.00
1024328	Hose Kit – Power Beyond, Case IH Farmall® and Ford & New Holland, ref. 2300005/2300006/2300031 mount kits	8	163.00
1025970	Hose Kit – (4) Massey Ferguson 3625/3635/3645, reference 2300008 mount kit	16	387.00
1028835	Hose Kit – (4) 76" Case IH and Ford & New Holland to connect to OEM loader valve (mid-remotes), reference 2300003/2300009/2300012 mount kits	14	424.00
1028836	Hose Kit – (4) 74" connects loader feedlines to OEM mid-mount valve	18	387.00
1028989	Hose Kit – John Deere 5045E/5055E/5065E/5075E, reference 211815 mount kit	12	282.00
1029713	Hose Kit – (3) 66" Case IH and New Holland, reference 2300013/2300014/2300017 mount kits	9	213.00
1030990	Hose Kit – Power Beyond, Kubota M5640SU, reference 111880 mount kit	13	319.00
1032897	Hose Kit – Massey Ferguson 2605/2615/2625, reference 2300028 mount kit	64	294.00
1034290	Hose Kit – Kioti® DK75/DK90, Landini® 1-75/1-90 and McCormick® X10.75/X10.90, reference 2200030 mount kit	12	247.00

Grill Guards – Loader Model LU126

Part No.	Description	Shipping Wt. (lbs.)	Suggested List Price
40448	Grill Guard – Case IH® and Ford® & New Holland®, reference 111834/111874/2300016/2300021 mount kits	40	\$ 178.00
44516	Grill Guard – Massey Ferguson®, reference 111867 mount kit	50	213.00
57854	Grill Guard – Kubota®, reference 111860/111871/111872/111873/111880 mount kits	37	213.00
57862	Grill Guard – Case IH and McCormick® CX70/CX80, reference 111830/111833/111864/111865 mount kits	32	178.00
57864	Grill Guard – Ford & New Holland, reference 111876 mount kit	15	178.00
57913	Grill Guard – Ford & New Holland, reference 111877 mount kit	25	213.00
1001412	Grill Guard – Ford & New Holland, reference 111875 mount kit	49	142.00
1002763	Grill Guard – John Deere®, reference 111850/111863/211815/211817 mount kits	99	354.00
1002860	Grill Guard – Massey Ferguson, reference 111869 mount kit	56	178.00
1005046	Grill Guard – Kioti® DK65/DK65C, reference 111881 mount kit	72	213.00
1009021	Grill Guard – Case IH JX80U/JX90U/JX100U, reference 111885 mount kit	42	178.00
1009274	Grill Guard – Case IH and Ford & New Holland, reference 111889/111890/2300013/2300014/2300017 mount kits	39	178.00
1010424	Grill Guard – Mahindra® 4500/4530/5500/6000/6500, reference 111894/111899/211820 mount kits	48	354.00
1012018	Grill Guard – Case IH and Ford & New Holland, reference 111893/111895/111897/2300009/2300020 mount kits	27	178.00
1012306	Grill Guard – Mahindra 4500/5500/6000/6500 2WD, reference 211812/211820 mount kits	45	256.00
1012360	Grill Guard – Kioti DK65S, reference 211814 mount kit	58	256.00
1013347	Grill Guard – Massey Ferguson 471/481, 573/583, reference 111869/2300007 mount kits	44	256.00
1014132	Grill Guard – Mahindra 5520/6520/7520, reference 211811 mount kit	38	169.00
1014395	Grill Guard – Massey Ferguson 451, reference 211810 mount kit	35	213.00
1014551	Grill Guard – John Deere 5025-series, reference 211813/211819 mount kits	52	247.00
1015045	Grill Guard – Massey Ferguson 431, reference 211816 mount kit	25	116.00
1015178	Grill Guard – Agco® GT45A/GT55A/GT65A/GT75A, reference 211818/211821 mount kits	35	178.00
1015430	Grill Guard – Challenger® MT425B/MT445B, Massey Ferguson 5435/5445, reference 211822 mount kit	33	213.00
1018101	Grill Guard – John Deere 2350/2355/2550/2555, reference 211823 mount kit	42	197.00
1018163	Grill Guard – Massey Ferguson 461/543/563, reference 211828 mount kit	45	291.00
1018190	Grill Guard – Case IH Farmall® and Ford & New Holland, reference 2300005/2300006/2300031 mount kits	39	208.00
1018206	Grill Guard – Kubota M5040/M6040/M7040, M5640SU, reference 111880/211832 mount kits	49	305.00
1018960	Grill Guard – Mahindra 7010, reference 211825 mount kit	23	139.00
1019090	Grill Guard – Case IH 574/584/684, reference 111830 mount kit	26	234.00
1025263	Grill Guard – Massey Ferguson 3625/3635/3645, reference 2300008 mount kit	31	186.00
1028908	Grill Guard – Case IH Farmall 85U/95U/105U, New Holland T5040/T5050/T5060/T5070, reference 2300009/2300012 mount kits	60	217.00
1032895	Grill Guard – Massey Ferguson 2605/2615/2625, reference 2300028 mount kit	28	196.00
1034275	Grill Guard – Kioti DK75/DK90, Landini® 1-75/1-90 and McCormick X10.75/X10.90, reference 2200030 mount kit	49	256.00

UTILITY SERIES LOADERS – MISCELLANEOUS

SECTION 7

Miscellaneous – Loader Model LU126

Part No.	Description	Shipping Wt. (lbs.)	Suggested List Price
1005093	Paint – Case of 12 Spray Cans – Red to match Case IH	13	\$ 178.00
1005094	Paint – Case of 12 Spray Cans – Yellow to match Cub Cadet®	13	178.00
1005095	Paint – Case of 12 Spray Cans – Blue to match New Holland Vibrant Blue	13	178.00
1005096	Paint – Case of 12 Spray Cans – Blue to match New Holland Ford Blue	13	178.00
1005097	Paint – Case of 12 Spray Cans – Orange to match Kubota	13	178.00
1005098	Paint – Case of 12 Spray Cans – Red to match Massey Ferguson	13	178.00

Tractor Notes – Loader Model LU126

1. Hose kit 1023564 for open center hydraulics ONLY.
2. Fits Series I and II.
3. Does not fit with heavy-duty, I-beam front axle (585/595).
4. Mount is compatible with Case® 292861A cable control valve kit.
5. Use Case/New Holland® joystick OEM valve.
6. Late model 3020 equipped with console hydraulic controls, must use Woods® hose kit 1023570 in place of 1023571.
7. John Deere® selective control valve (SCV) requires Woods hose kit 58025 to connect to tractor rear-remote couplers.
8. John Deere selective control valve (SCV) requires Woods hose kit 57924.
9. Fits 12.4 x 24 and smaller front tires.
10. Hose Kit 1023566 requires selector valve #TS300 from Tisco® or 1075120M92 from Massey Ferguson.
11. Does not fit tractors with swept-back front axles. For tractors with swept-back front axles use mounting kit 111877.
12. Does not fit tractors with straight front axles. For tractors with straight front axles use mounting kit 111876.
13. Hose kit 1009024 requires Case IH mid-remote cable control valve.
14. Hose kit 1005047 is for tractor remote valve.
15. Does not fit tractors with Super Steer or Orchard/Vineyard models.
16. Mount is compatible with OEM cable control valve kit, but additional fittings may be required.
17. Hose kit 1010460 requires OEM mid-remote loader valve.
18. Hose kit 1028835 may be used to connect to OEM mid-remote loader valve.
19. Grill guard can be used with or without optional front weight bracket.
20. Hose kit 57923 may be used to connect to OEM mid-remote loader valve.
21. For proper tire clearance, the front tire width must be set to 68". Adjust steering stops as needed.
22. Hose kit 1002877 connects to tractor mid-remote couplers, and requires John Deere Mid Selective Control Valve (SCV).
23. Fits 14.9R24 or smaller tires. Oscillation stop included. Adjust steering stop, recommend 64.5" front wheel width.
24. Hose kit 1028836 requires tractor mid-mount loader valve.
25. Set wheel tread width to maximum for best steering angle.
26. Hose kit 1018980 requires tractor mid-mount loader valve.
27. Hose kit 1025970 requires Massey Ferguson mid-remote cable control valve.
28. Hose kit 58029 requires one rear tractor remote valve to provide oil flow to the loader valve.
29. Tractor steering stop adjustment required for some tire sizes and front tread settings.
30. Requires OEM mid-mount loader control valve.
31. Not compatible with OEM "Loader Ready" mounting brackets.
32. Requires "Loader Ready" mounting brackets and OEM mid-mount loader control valve.
33. Requires 1030925 "Loader Ready" mounting brackets if not equipped with OEM "Loader Ready" mounting brackets.
34. Requires 1028742 "Loader Ready" mounting brackets if not equipped with OEM "Loader Ready" mounting brackets.
35. Tractor must be equipped with vertical exhaust.
36. Tractors with Cab require valve kit 1028845 and hose kit 1023557 OR John Deere Selective Control Valve (SCV) and 4-hose kit.
37. Tractors with Cab, use Component Order pages to complete order.
38. Hose kit connects to OEM loader valve supplied with tractor.
39. Tractor must be equipped with loader ready brackets.
40. Hose kit 1028989 connects to tractor mid-remote couplers and requires John Deere Mid Selective Control Valve (SCV).

LU132 Features and Specifications

FEATURES:

- Curved loader boom
- Midmount loader boom attachment
- Fast D-Tach loader
- Parking stands – stored in loader boom cross tube
- Rod bucket level indicator
- 4-bar bucket linkage
- Manual tube on the loader boom cross tube
- Optional Quick Attachment Coupler System
- 2-year warranty



SPECIFICATIONS:

- Fits 45 – 90 hp tractors (2WD & FWA)
- Lift height: 132 inches
- Lift cylinders: 2.76 inches; Bucket cylinders: 2.76 inches
- Lift capacity at bucket pins: 3500 lbs.
- Lift capacity at 31.5 inches ahead of bucket pivot pins: 2400 lbs.
- Capacities rated at 2750 psi
- Breakout at bucket pins: 5000 lbs.
- Breakout at 31.5 inches ahead of bucket pivot pins: 3800 lbs.
- Maximum digging depth: 5 inches
- Dump angle: 50 degrees
- Roll back angle: 35 degrees
- Reach at maximum height: 31 inches
- Pivot pins diameter: 1.25 inches

To Order a Complete Loader Using the Woods® Quick Order System

- Find the tractor brand and model you are attempting to fit in the **Tractor/Loader Adaptability Chart**.
- Select the loader model you wish to price (each model belongs to a Loader Series, i.e., Utility Series).
- Go to the appropriate Loader Model **Quick Order** tab.
- Find the tractor brand / model you are fitting.
- Order loader frame.
- Order pin-on bucket or Quick Attachment Carrier System and quick attach bucket.
- Order completing kit.

Be sure to refer to the “Notes” column; Tractor Notes are found at the end of each tabbed section in the Loader price pages. Prices for each component are listed in the appropriate component section. If you have any questions, please contact Woods Dealer Services.

EXAMPLE

When ordering a loader to fit a Case-IH® tractor, model CX70 4WD CAB, do the following:

1. The Case-IH CX70 4WD CAB, is fit by two Woods loader models: LU126 and LU132. (Reference Tractor/Loader Adaptability Chart.) We are selecting the LU132 model.
2. Flip to the LU132 **Quick Order** tab.
3. **Section 1** – Select tractor brand and model that the LU132 loader is to fit: Case-IH CX70 4WD CAB.
 - a. Order the loader frame #2313252 (Red to match Case-IH).
 - b. Order the bucket #2360072 (72” pin attachment bucket).
Note: If selecting a quick change system, order Quick Attachment Coupler System and 72” QA bucket.
 - c. Order the completing kit #111864C2. Completing kit includes loader mount, valve, hose kit and grill guard (if available). List price of complete loader is \$10,264; total weight is 1593 lbs.

Unless noted, each “Loader Complete” STANDARD configuration includes loader, bucket, and completing kit (mount, hydraulics and grill guard, if grill guard is available). Any deviation from standard configuration will require ordering components individually.

Quick Order Section – Loader Model LU132

Tractor Brand / Model	Loader Pkg. Type	Fits Tractor Type				Loader Frame Color	Quick Order Part Numbers						Ship Wt. (lbs.)	Suggested List Price	Tractor Notes	
		2WD	4WD	ROPS	CAB		LU132 Loader Frame	Bucket Width (in.)	Pin-On Bucket	Quick Attach. Coupler	QA Bucket	Completing Kit *				
CASE IH®																
695/895/995	Pin-on	X	X	X		Red	2313252	72	2360072			111833D2	TBD	\$ 9,841	12, 19	
695/895/995	QA	X	X	X		Red	2313252	84		2350000	2370084	111833D2	TBD	10,597	12, 19	
CX70/CX80	Pin-on		X	X	X	Red	2313252	72	2360072			111864C2	1593	10,264	1, 12	
CX70/CX80	QA		X	X	X	Red	2313252	72		2350000	2370072	111864C2	1679	10,915	1, 12	
Farmall® 70/80	Pin-on	X	X	X	X	Red	2313252	72	2360072			2300013D	1599	10,369	15	
Farmall 70/80	QA	X	X	X	X	Red	2313252	72		2350000	2370072	2300013D	1685	11,020	15	
Farmall 85/95	Pin-on	X	X	X	X	Red	2313252	72	2360072			2300017D	1594	10,159	13, 15	
Farmall 85/95	QA	X	X	X	X	Red	2313252	84		2350000	2370084	2300017D	1680	10,915	13, 15	
Farmall 85C/95C	Pin-on	X	X	X		Red	2313252	72	2360072			2300016H	1597	9,079	14, 15	
Farmall 85C/95C	QA	X	X	X		Red	2313252	84		2350000	2370084	2300016H	1726	9,835	14, 15	
Farmall 85C/95C (Pedestal Mount)	Pin-on	X	X	X	X	Red	2313272	72	2360072			2300021H	1749	10,196	14, 17	
Farmall 85C/95C (Pedestal Mount)	QA	X	X	X	X	Red	2313272	84		2350000	2370084	2300021H	1878	10,952	14, 17	
Farmall 85U/95U/105U	Pin-on	X	X	X	X	Red	2313252	72	2360072			2300009H3	1563	9,072	14, 15	
Farmall 85U/95U/105U	QA	X	X	X	X	Red	2313252	84		2350000	2370084	2300009H3	1649	9,828	14, 15	
Farmall 85U/95U/105U (Pedestal Mount)	Pin-on	X	X	X	X	Red	2313272	72	2360072			2300012H	1809	10,189	16	
Farmall 85U/95U/105U (Pedestal Mount)	QA	X	X	X	X	Red	2313272	84		2350000	2370084	2300012H	1938	10,945	16	
Farmall 90/95	Pin-on	X	X	X	X	Red	2313252	72	2360072			2300014D	TBD	10,369	13, 21	
Farmall 90/95	QA	X	X	X	X	Red	2313252	84		2350000	2370084	2300014D	TBD	11,125	13, 21	
JX75/JX85	Pin-on		X	X	X	Red	2313252	72	2360072			111889C2	1750	10,930	5	
JX75/JX85	QA		X	X	X	Red	2313252	72		2350000	2370072	111889C2	1836	11,581	5	
JX80/JX90	Pin-on	X	X	X	X	Red	2313252	72	2360072			111889C2	1750	10,930		
JX80/JX90	QA	X	X	X	X	Red	2313252	72		2350000	2370072	111889C2	1836	11,581		
JX80/JX90	Pin-on	X	X	X	X	Red	2313252	72	2360072			111889H2	1720	9,629	5	
JX80/JX90	QA	X	X	X	X	Red	2313252	72		2350000	2370072	111889H2	1806	10,280	5	
JX95	Pin-on		X	X	X	Red	2313252	72	2360072			111890C2	1600	10,159	5	
JX95	QA		X	X	X	Red	2313252	72		2350000	2370072	111890C2	1686	10,810	5	
JX1060C/JX1070C/JX1075C	Pin-on		X	X		Red	2313252	72	2360072			111897D2	1665	10,157	2, 4, 6	
JX1060C/JX1070C/JX1075C	QA		X	X		Red	2313252	72		2350000	2370072	111897D2	1751	10,808	2, 4, 6	
JX1060C/JX1070C/JX1075C	Pin-on		X		X	Red	2313252	72	2360072			111897H2	1600	9,079	2, 4, 6	
JX1060C/JX1070C/JX1075C	QA		X		X	Red	2313252	72		2350000	2370072	111897H2	1686	9,730	2, 4, 6	
JX1080U	Pin-on		X	X	X	Red	2313252	72	2360072			2300009H2	1519	9,033	7	
JX1080U	QA		X	X	X	Red	2313252	72		2350000	2370072	2300009H2	1605	9,684	7	
JX1085C/JX1095C	Pin-on		X	X	X	Red	2313252	72	2360072			2300003H2	1498	9,063	2, 10	
JX1085C/JX1095C	QA		X	X	X	Red	2313252	72		2350000	2370072	2300003H2	1584	9,714	2, 10	
JX1090U/JX1100U	Pin-on		X	X	X	Red	2313252	72	2360072			2300009H2	1519	9,033	7	
JX1090U/JX1100U	QA		X	X	X	Red	2313252	72		2350000	2370072	2300009H2	1605	9,684	7	

* Completing Kits that end in D or D2 contain mounting kit, Woods Hydraulic Package (2-spool direct control valve and hose kit) and grill guard, if available.
 Completing Kits that end in C2 or C3 contain mounting kit, Woods Hydraulic Package (2-spool cable control valve and hose kit) and grill guard, if available.
 Completing Kits that end in H, H2 or H3 contain mounting kit, 4-hose kit (to connect loader to OEM remote valve) and grill guard, if available.
 Completing Kits that end in HM2 contain mounting kit, 4-hose kit (to connect loader to OEM midmount valve) and grill guard, if available.
 Completing Kits that end in HR2 contain mounting kit, 4-hose kit (to connect loader to tractor rear remotes) and grill guard, if available.

Unless noted, each "Loader Complete" STANDARD configuration includes loader, bucket, and completing kit (mount, hydraulics and grill guard, if grill guard is available). Any deviation from standard configuration will require ordering components individually.

Quick Order Section – Loader Model LU132 (Continued)

Tractor Brand / Model	Loader Pkg. Type	Fits Tractor Type				Loader Frame Color	Quick Order Part Numbers					Ship Wt. (lbs.)	Suggested List Price	Tractor Notes	
		2WD	4WD	ROPS	CAB		LU132 Loader Frame	Bucket Width (in.)	Pin-On Bucket	Quick Attach. Coupler	QA Bucket				Completing Kit *
CHALLENGER®															
MT425B/MT445B	Pin-on		X	X	X	Black	2313250	72	2360072			211822H2	1613	\$ 9,035	8
MT425B/MT445B	QA		X	X	X	Black	2313250	72		2350000	2370072	211822H2	1699	9,686	8
FORD® & NEW HOLLAND®															
T4040/T4050	Pin-on	X	X	X		Vib-NH Blue	2313257	72	2360072			2300016H	1597	9,079	14, 15
T4040/T4050	QA	X	X	X		Vib-NH Blue	2313257	84		2350000	2370084	2300016H	1726	9,835	14, 15
T4040/T4050 (Pedestal Mount)	Pin-on	X	X	X	X	Vib-NH Blue	2313277	72	2360072			2300021H	1749	10,196	14, 17
T4040/T4050 (Pedestal Mount)	QA	X	X	X	X	Vib-NH Blue	2313277	84		2350000	2370084	2300021H	1878	10,952	14, 17
T5040/T5050/T5060/T5070	Pin-on	X	X	X	X	Vib-NH Blue	2313257	72	2360072			2300009H3	1563	9,072	14, 15
T5040/T5050/T5060/T5070	QA	X	X	X	X	Vib-NH Blue	2313257	84		2350000	2370084	2300009H3	1649	9,828	14, 15
T5040/T5050/T5060/T5070 (Pedestal Mount)	Pin-on	X	X	X	X	Vib-NH Blue	2313277	72	2360072			2300012H	1809	10,189	16
T5040/T5050/T5060/T5070 (Pedestal Mount)	QA	X	X	X	X	Vib-NH Blue	2313277	84		2350000	2370084	2300012H	1938	10,945	16
TD75D/TD80/TD90D	Pin-on	X	X	X	X	Vib-NH Blue	2313257	72	2360072			111889C2	1750	10,930	10
TD75D/TD80/TD90D	QA	X	X	X	X	Vib-NH Blue	2313257	72		2350000	2370072	111889C2	1836	11,581	10
TD75D/TD80/TD90D	Pin-on	X	X	X	X	Vib-NH Blue	2313257	72	2360072			111889H2	1720	9,629	5, 10
TD75D/TD80/TD90D	QA	X	X	X	X	Vib-NH Blue	2313257	72		2350000	2370072	111889H2	1806	10,280	5, 10
TD95D	Pin-on	X	X	X	X	Vib-NH Blue	2313257	72	2360072			111890C2	1600	10,159	10
TD95D	QA	X	X	X	X	Vib-NH Blue	2313257	72		2350000	2370072	111890C2	1686	10,810	10
TD95D	Pin-on	X	X	X	X	Vib-NH Blue	2313257	72	2360072			111890H2	1570	8,858	5, 10
TD95D	QA	X	X	X	X	Vib-NH Blue	2313257	72		2350000	2370072	111890H2	1656	9,509	5, 10
TD5030	Pin-on	X	X	X	X	Vib-NH Blue	2313257	72	2360072			2300013D	1599	10,369	15
TD5030	QA	X	X	X	X	Vib-NH Blue	2313257	72		2350000	2370072	2300013D	1685	11,020	15
TD5050 (Loader Ready)	Pin-on	X	X	X	X	Vib-NH Blue	2313257	72	2360072			2300014D	TBD	10,369	13, 21
TD5050 (Loader Ready)	QA	X	X	X	X	Vib-NH Blue	2313257	84		2350000	2370084	2300014D	TBD	11,125	13, 21
TD5050	Pin-on	X	X	X	X	Vib-NH Blue	2313257	72	2360072			2300017D	1594	10,159	13, 15
TD5050	QA	X	X	X	X	Vib-NH Blue	2313257	84		2350000	2370084	2300017D	1680	10,915	13, 15
TL80A	Pin-on		X	X	X	Vib-NH Blue	2313257	72	2360072			2300009H2	1519	9,033	7
TL80A	QA		X	X	X	Vib-NH Blue	2313257	72		2350000	2370072	2300009H2	1605	9,684	7
TL90A/TL100A	Pin-on		X	X	X	Vib-NH Blue	2313257	72	2360072			2300009H2	1519	9,033	7
TL90A/TL100A	QA		X	X	X	Vib-NH Blue	2313257	72		2350000	2370072	2300009H2	1605	9,684	7
TN55/TN65/TN70/TN75	Pin-on		X	X		Vib-NH Blue	2313257	72	2360072			111874D2	1594	9,806	4
TN55/TN65/TN70/TN75	QA		X	X		Vib-NH Blue	2313257	72		2350000	2370072	111874D2	1680	10,457	4
TN55D/TN65D/TN70D/TN75D	Pin-on		X		X	Vib-NH Blue	2313257	72	2360072			111897H2	1600	9,079	2, 4
TN55D/TN65D/TN70D/TN75D	QA		X		X	Vib-NH Blue	2313257	72		2350000	2370072	111897H2	1686	9,730	2, 4

* Completing Kits that end in D or D2 contain mounting kit, Woods Hydraulic Package (2-spool direct control valve and hose kit) and grill guard, if available.
 Completing Kits that end in C2 or C3 contain mounting kit, Woods Hydraulic Package (2-spool cable control valve and hose kit) and grill guard, if available.
 Completing Kits that end in H, H2 or H3 contain mounting kit, 4-hose kit (to connect loader to OEM remote valve) and grill guard, if available.
 Completing Kits that end in HM2 contain mounting kit, 4-hose kit (to connect loader to OEM midmount valve) and grill guard, if available.
 Completing Kits that end in HR2 contain mounting kit, 4-hose kit (to connect loader to tractor rear remotes) and grill guard, if available.

Unless noted, each "Loader Complete" STANDARD configuration includes loader, bucket, and completing kit (mount, hydraulics and grill guard, if grill guard is available). Any deviation from standard configuration will require ordering components individually.

Quick Order Section – Loader Model LU132 (Continued)

Tractor Brand / Model	Loader Pkg. Type	Fits Tractor Type				Loader Frame Color	Quick Order Part Numbers					Ship Wt. (lbs.)	Suggested List Price	Tractor Notes	
		2WD	4WD	ROPS	CAB		LU132 Loader Frame	Bucket Width (in.)	Pin-On Bucket	Quick Attach. Coupler	QA Bucket				Completing Kit *
FORD® & NEW HOLLAND® (Continued)															
TN60A/TN70A/TN75A	Pin-on		X	X		Vib-NH Blue	2313257	72	2360072			111897D2	1665	\$ 10,157	4, 6
TN60A/TN70A/TN75A	QA		X	X		Vib-NH Blue	2313257	72		2350000	2370072	111897D2	1751	10,808	4, 6
TN60DA/TN70DA/TN75DA	Pin-on		X		X	Vib-NH Blue	2313257	72	2360072			111897H2	1600	9,079	2, 4, 6
TN60DA/TN70DA/TN75DA	QA		X		X	Vib-NH Blue	2313257	72		2350000	2370072	111897H2	1686	9,730	2, 4, 6
TN75SA	Pin-on		X	X	X	Vib-NH Blue	2313257	72	2360072			2300001H2	1503	8,901	2
TN75SA	QA		X	X	X	Vib-NH Blue	2313257	72		2350000	2370072	2300001H2	1589	9,552	2
TN85A/TN85DA/TN95A/TN95DA	Pin-on		X	X	X	Vib-NH Blue	2313257	72	2360072			2300003H2	1498	9,063	2, 7
TN85A/TN85DA/TN95A/TN95DA	QA		X	X	X	Vib-NH Blue	2313257	72		2350000	2370072	2300003H2	1584	9,714	2, 7
JOHN DEERE®															
5425/5525	Pin-on	X	X	X	X	Green	2313251	72	2360072			211819HR2	1578	8,751	
5425/5525	QA	X	X	X	X	Green	2313251	72		2350000	2370072	211819HR2	1664	9,402	
5425/5525	Pin-on	X	X	X	X	Green	2313251	72	2360072			211819HM2	1563	8,609	
5425/5525	QA	X	X	X	X	Green	2313251	72		2350000	2370072	211819HM2	1649	9,260	
KIOTI®															
DK65S	Pin-on		X	X	X	Orange	2313254	72	2360072			211814H2	1551	8,760	3, 18
DK65S	QA		X	X	X	Orange	2313254	72		2350000	2370072	211814H2	1637	9,411	3, 18
DK75/DK90	Pin-on		X	X	X	Orange	2313254	72	2360072			2300030H	TBD	8,760	20
DK75/DK90	QA		X	X	X	Orange	2313254	84		2350000	2370084	2300030H	TBD	9,516	20
KUBOTA®															
M7040	Pin-on	X	X	X	X	Orange	2313254	72	2360072			211832C2	1582	9,247	
M7040	QA	X	X	X	X	Orange	2313254	72		2350000	2370072	211832C2	1668	9,898	
M8200/M9000	Pin-on	X	X	X		Orange	2313254	72	2360072			111868D2	1734	10,121	
M8200/M9000	QA	X	X	X		Orange	2313254	72		2350000	2370072	111868D2	1820	10,772	
M8200/M9000	Pin-on	X	X		X	Orange	2313254	72	2360072			111868C3	1730	10,544	
M8200/M9000	QA	X	X		X	Orange	2313254	72		2350000	2370072	111868C3	1816	11,195	
M8540/M9540	Pin-on	X	X	X		Orange	2313254	72	2360072			2300004D2	1455	9,612	9
M8540/M9540	QA	X	X	X		Orange	2313254	72		2350000	2370072	2300004D2	1541	10,263	9
M8540/M9540	Pin-on	X	X		X	Orange	2313254	72	2360072			2300004C2	1448	9,584	9
M8540/M9540	QA	X	X		X	Orange	2313254	72		2350000	2370072	2300004C2	1534	10,235	9
LANDINI®															
1-75/1-90	Pin-on		X	X	X	Black	2313250	72	2360072			2300030H	TBD	8,760	20
1-75/1-90	QA		X	X	X	Black	2313250	84		2350000	2370084	2300030H	TBD	9,516	20
MAHINDRA®															
6520/7520	Pin-on		X	X		Red	2313260	72	2360072			211811D2	1503	9,825	
6520/7520	QA		X	X		Red	2313260	72		2350000	2370072	211811D2	1589	10,476	

* Completing Kits that end in D or D2 contain mounting kit, Woods Hydraulic Package (2-spool direct control valve and hose kit) and grill guard, if available.
 Completing Kits that end in C2 or C3 contain mounting kit, Woods Hydraulic Package (2-spool cable control valve and hose kit) and grill guard, if available.
 Completing Kits that end in H, H2 or H3 contain mounting kit, 4-hose kit (to connect loader to OEM remote valve) and grill guard, if available.
 Completing Kits that end in HM2 contain mounting kit, 4-hose kit (to connect loader to OEM midmount valve) and grill guard, if available.
 Completing Kits that end in HR2 contain mounting kit, 4-hose kit (to connect loader to tractor rear remotes) and grill guard, if available.

Unless noted, each “Loader Complete” STANDARD configuration includes loader, bucket, and completing kit (mount, hydraulics and grill guard, if grill guard is available). Any deviation from standard configuration will require ordering components individually.

Quick Order Section – Loader Model LU132 (Continued)

Tractor Brand / Model	Loader Pkg. Type	Fits Tractor Type				Loader Frame Color	Quick Order Part Numbers					Ship Wt. (lbs.)	Suggested List Price	Tractor Notes	
		2WD	4WD	FOPS	CAB		LU132 Loader Frame	Bucket Width (in.)	Pin-On Bucket	Quick Attach. Coupler	QA Bucket				Completing Kit *
MASSEY FERGUSON®															
573/583	Pin-on	X	X	X		Red	2313256	72	2360072			2300007D2	1652	\$ 10,378	
573/583	QA	X	X	X		Red	2313256	72		2350000	2370072	2300007D2	1738	11,029	
3625/3635/3645	Pin-on	X	X	X	X	Red	2313256	72	2360072			2300008H	1673	9,439	11
3625/3635/3645	QA	X	X	X	X	Red	2313256	84		2350000	2370084	2300008H	1802	10,195	11
5435/5445	Pin-on		X	X	X	Red	2313256	72	2360072			211822H2	1613	9,035	8
5435/5445	QA		X	X	X	Red	2313256	72		2350000	2370072	211822H2	1699	9,686	8
McCORMICK®															
CX70/CX80	Pin-on		X	X	X	Red	2313261	72	2360072			111864C2	1593	10,264	12
CX70/CX80	QA		X	X	X	Red	2313261	72		2350000	2370072	111864C2	1679	10,915	12
X10.75/X10.90	Pin-on		X	X	X	Red	2313261	72	2360072			2300030H	TBD	8,760	20
X10.75/X10.90	QA		X	X	X	Red	2313261	84		2350000	2370084	2300030H	TBD	9,516	20

- * Completing Kits that end in D or D2 contain mounting kit, Woods Hydraulic Package (2-spool direct control valve and hose kit) and grill guard, if available.
 Completing Kits that end in C2 or C3 contain mounting kit, Woods Hydraulic Package (2-spool cable control valve and hose kit) and grill guard, if available.
 Completing Kits that end in H, H2 or H3 contain mounting kit, 4-hose kit (to connect loader to OEM remote valve) and grill guard, if available.
 Completing Kits that end in HM2 contain mounting kit, 4-hose kit (to connect loader to OEM midmount valve) and grill guard, if available.
 Completing Kits that end in HR2 contain mounting kit, 4-hose kit (to connect loader to tractor rear remotes) and grill guard, if available.

Unless noted, Completing Kits include Mount Kit, Woods Hydraulic Package (or 4-Hose Kit for tractor midmount OEM valve or remotes) and Grill Guard, if grill guard is available.

Completing Kits – Loader Model LU132

Tractor Brand / Model	Fits Tractor Type				Completing Kit Part No. **	Mount Kit	Woods® Hydraulic Package		OR	4-Hose Kit	Grill Guard	Ship Wt. (lbs.)	Suggested List Price	Notes
	2WD	4WD	ROPS	CAB			2-Spool Valve Kit	Hoses for Loader Valve		Connects to OEM Valve or Remotes				
CASE IH®														
695/895/995	X	X	X		111833D2	111833	1028841	58029		58025	57862	379	\$ 3,167	12, 19
CX70/CX80		X	X	X	111864C2	111864	1028845	58029			57862	485	3,590	1, 12
Farmall® 70/80	X	X	X	X	2300013D	2300013	1029710	1029713			1009274	490	3,695	15
Farmall 85/95	X	X	X	X	2300017D	2300017	1029710	1029713			1009274	469	3,485	13, 15
Farmall 85C/95C	X	X	X		2300016H	2300016	N/A	N/A		1010460-MR	40448	472	2,405	14, 15
Farmall 85C/95C (Pedestal Mount)	X	X	X	X	2300021H	2300021	N/A	N/A		1010460-MR	40448	624	3,522	14, 17
Farmall 85U/95U/105U	X	X	X	X	2300009H3	2300009	N/A	N/A		1028835	1028908	438	2,398	14, 15
Farmall 85U/95U/105U (Pedestal Mount)	X	X	X	X	2300012H	2300012	N/A	N/A		1028835-MR	1028908	684	3,515	16
Farmall 90/95	X	X	X	X	2300014D	2300014	1029710	1029713			1009274	TBD	3,695	13, 21
JX75/JX85		X	X	X	111889C2	111889	1028842	1023579			1009274	644	4,256	5
JX80/JX90	X	X	X	X	111889C2	111889	1028842	1023579			1009274	644	4,256	
JX80/JX90	X	X	X	X	111889H2	111889				58025	1009274	612	2,955	5
JX95		X	X	X	111890C2	111890	1028842	1023579			1009274	494	3,485	5
JX1060C/JX1070C/JX1075C		X	X		111897D2	111897	1028841	1023583			1012018	556	3,483	2, 4, 6
JX1060C/JX1070C/JX1075C		X		X	111897H2	111897	N/A	N/A		1010460-MR	1012018	492	2,405	2, 4, 6
JX1080U		X	X	X	2300009H2	2300009	N/A	N/A		1028835	1012018	411	2,359	7
JX1085C/JX1095C		X	X	X	2300003H2	2300003	N/A	N/A		1028835	1018190	390	2,389	2, 10
JX1090U/JX1100U		X	X	X	2300009H2	2300009	N/A	N/A		1028835	1012018	411	2,359	7
CHALLENGER®														
MT425B/MT445B		X	X	X	211822H2	211822	N/A	N/A		58025	1015430	505	2,361	8
FORD® & NEW HOLLAND®														
T4040/T4050	X	X	X		2300016H	2300016	N/A	N/A		1010460-MR	40448	472	2,405	14, 15
T4040/T4050 (Pedestal Mount)	X	X	X	X	2300021H	2300021	N/A	N/A		1010460-MR	40448	624	3,522	14, 17
T5040/T5050/T5060/T5070	X	X	X	X	2300009H3	2300009	N/A	N/A		1028835	1028908	438	2,398	14, 15
T5040/T5050/T5060/T5070 (Pedestal Mount)	X	X	X	X	2300012H	2300012	N/A	N/A		1028835-MR	1028908	684	3,515	16
TD75D/TD80/TD90	X	X	X	X	111889C2	111889	1028842	1023579			1009274	644	4,256	10
TD75D/TD80/TD90	X	X	X	X	111889H2	111889				58025	1009274	612	2,955	5, 10
TD95D	X	X	X	X	111890C2	111890	1028842	1023579			1009274	494	3,485	10
TD95D	X	X	X	X	111890H2	111890				58025	1009274	518	2,184	5, 10
TD5030	X	X	X	X	2300013D	2300013	1029710	1029713			1009274	490	3,695	15
TD5050 (Loader Ready)	X	X	X	X	2300014D	2300014	1029710	1029713			1009274	TBD	3,695	13, 21
TD5050	X	X	X	X	2300017D	2300017	1029710	1029713			1009274	469	3,485	13, 15
TL80A		X	X	X	2300009H2	2300009	N/A	N/A		1028835	1012018	411	2,359	7
TL90A/TL100A		X	X	X	2300009H2	2300009	N/A	N/A		1028835	1012018	411	2,359	7
TN55/TN65/TN70/TN75		X	X		111874D2	111874	1028841	1023583			40448	486	3,132	4
TN55D/TN65D/TN70D/TN75D		X		X	111897H2	111897	N/A	N/A		1010460-MR	1012018	492	2,405	2, 4
TN60A/TN70A/TN75A		X	X		111897D2	111897	1028841	1023583			1012018	556	3,483	4, 6
TN60DA/TN70DA/TN75DA		X		X	111897H2	111897	N/A	N/A		1010460-MR	1012018	492	2,405	2, 4, 6
TN75SA		X	X	X	2300001H2	2300001				1010460-MR	N/A	395	2,227	2
TN85A/TN85DA/TN95A/TN95DA		X	X	X	2300003H2	2300003	N/A	N/A		1028835	1018190	390	2,389	2, 7

** Completing Kits that end in D or D2 contain mounting kit, Woods Hydraulic Package (2-spool direct control valve and hose kit) and grill guard, if available.
 Completing Kits that end in C2 or C3 contain mounting kit, Woods Hydraulic Package (2-spool cable control valve and hose kit) and grill guard, if available.
 Completing Kits that end in H, H2 or H3 contain mounting kit, 4-hose kit (to connect loader to OEM remote valve) and grill guard, if available.
 Completing Kits that end in HM2 contain mounting kit, 4-hose kit (to connect loader to OEM midmount valve) and grill guard, if available.
 Completing Kits that end in HR2 contain mounting kit, 4-hose kit (to connect loader to tractor rear remotes) and grill guard, if available.

Unless noted, Completing Kits include Mount Kit, Woods Hydraulic Package (or 4-Hose Kit for tractor midmount OEM valve or remotes) and Grill Guard, if grill guard is available.

Completing Kits – Loader Model LU132 (Continued)

Tractor Brand / Model	Fits Tractor Type				Completing Kit Part No. **	Mount Kit	Woods® Hydraulic Package		OR	4-Hose Kit	Grill Guard	Ship Wt. (lbs.)	Suggested List Price	Notes
	2WD	4WD	ROPS	CAB			2-Spool Valve Kit	Hoses for Loader Valve		Connects to OEM Valve or Remotes				
JOHN DEERE®														
5425/5525	X	X	X	X	211819HR2	211819				57924-RR	1014551	455	\$ 2,077	
5425/5525	X	X	X	X	211819HM2	211819				1002877-MR	1014551	455	1,935	
KIOTI®														
DK65S		X	X	X	211814H2	211814	N/A	N/A		1005047	1012360	488	2,086	3, 18
DK75/DK90		X	X	X	2300030H	2300030	N/A	N/A		1034290	1034275	TBD	2,086	20
KUBOTA®														
M7040	X	X	X	X	211832C2	211832	1028843	w/valve			1018206	461	2,573	
M8200/M9000	X	X	X		111868D2	111868	1028841	1023561			w/mount	619	3,447	
M8200/M9000	X	X		X	111868C3	111868	1028845	1023556			w/mount	629	3,870	
M8540/M9540	X	X	X		2300004D2	2300004	1028841	1023601			1018206	347	2,938	9
M8540/M9540	X	X		X	2300004C2	2300004	1028844	w/valve			1018206	340	2,910	9
LANDINI®														
1-75/1-90		X	X	X	2300030H	2300030	N/A	N/A		1034290	1034275	TBD	2,086	20
MAHINDRA®														
6520/7020		X	X		211811D2	211811	1028841	1023563			1014132	420	3,151	
MASSEY FERGUSON®														
573/583	X	X	X		2300007D2	2300007	1028840	1024025			1013347	544	3,704	
3625/3635/3645	X	X	X	X	2300008H	2300008	N/A	N/A		1025970-MR	1025263	565	2,765	11
5435/5445		X	X	X	211822H2	211822	N/A	N/A		58025	1015430	505	2,361	8
McCORMICK®														
CX70/CX80		X	X	X	111864C2	111864	1028845	58029			57862	485	3,590	12
X10.75/X10.90		X	X	X	2300030H	2300030	N/A	N/A		1034290	1034275	TBD	2,086	20

** Completing Kits that end in D or D2 contain mounting kit, Woods Hydraulic Package (2-spool direct control valve and hose kit) and grill guard, if available.
 Completing Kits that end in C2 or C3 contain mounting kit, Woods Hydraulic Package (2-spool cable control valve and hose kit) and grill guard, if available.
 Completing Kits that end in H, H2 or H3 contain mounting kit, 4-hose kit (to connect loader to OEM remote valve) and grill guard, if available.
 Completing Kits that end in HM2 contain mounting kit, 4-hose kit (to connect loader to OEM midmount valve) and grill guard, if available.
 Completing Kits that end in HR2 contain mounting kit, 4-hose kit (to connect loader to tractor rear remotes) and grill guard, if available.

Miscellaneous – Loader Model LU132

Part No.	Description	Shipping Wt. (lbs.)	Suggested List Price
1005093	Paint – Case of 12 Spray Cans – Red to match Case IH®	13	\$ 178.00
1005095	Paint – Case of 12 Spray Cans – Blue to match New Holland® Vibrant Blue	13	178.00
1005096	Paint – Case of 12 Spray Cans – Blue to match New Holland Ford® Blue	13	178.00
1005097	Paint – Case of 12 Spray Cans – Orange to match Kubota®	13	178.00
1005098	Paint – Case of 12 Spray Cans – Red to match Massey Ferguson®	13	178.00
1024092	Exhaust Relocation Kit	17	\$ 289.00

UTILITY SERIES LOADERS – TRACTOR NOTES

SECTION 4

Tractor Notes – Loader Model LU132

1. Mount is compatible with Case 292861A cable control valve kit.
2. Requires Case/New Holland joystick OEM valve.
3. Hose kit 1005047 is for tractor remote valve.
4. Does not fit tractors with Super Steer or Orchard/Vineyard models.
5. Mount is compatible with OEM cable control valve kit, but additional fittings may be required.
6. Hose kit 1010460 requires OEM mid-remote loader valve.
7. Hose kit 1028835 may be used to connect to OEM mid-remote loader valve.
8. Fits 14.9R24 or smaller tires. Oscillation stop included. Adjust steering stop, recommend 64.5” front wheel width.
9. Hose kit 1028836 requires mid-mount loader valve.
10. ROPS tractors and some CAB models with exhaust in the middle of the hood must order Exhaust Relocation Kit 1024092. Refer to Miscellaneous section for pricing.
11. Hose kit 1025970 requires Massey Ferguson mid-remote cable control valve.
12. Hose kit 58029 requires one rear tractor remote valve to provide oil flow to the loader valve.
13. Tractor steering stop adjustment required for some tire sizes and front tread settings.
14. Requires OEM mid-mount loader control valve.
15. Not compatible with OEM “Loader Ready” mounting brackets.
16. Requires OEM “Loader Ready” mounting brackets and OEM mid-mount loader control valve.
17. Requires 1028742 “Loader Ready” mounting brackets if not equipped with OEM “Loader Ready” mounting brackets.
18. Tractor must be equipped with vertical exhaust.
19. Does not fit with heavy-duty “I” beam front axle.
20. Hose kit connects to OEM loader valve supplied with tractor.
21. Tractor must be equipped with loader ready brackets.

LU132 Features and Specifications

FEATURES:

- Curved loader boom
- Midmount loader boom attachment
- Fast D-Tach loader
- Parking stands – stored in loader boom cross tube
- Rod bucket level indicator
- 4-bar bucket linkage
- Manual tube on the loader boom cross tube
- Optional Quick Attachment Coupler System
- 2-year warranty



SPECIFICATIONS:

- Fits 45 – 90 hp tractors (2WD & FWA)
- Lift height: 132 inches
- Lift cylinders: 2.76 inches; Bucket cylinders: 2.76 inches
- Lift capacity at bucket pins: 3500 lbs.
- Lift capacity at 31.5 inches ahead of bucket pivot pins: 2400 lbs.
- Capacities rated at 2750 psi

- Breakout at bucket pins: 5000 lbs.
- Breakout at 31.5 inches ahead of bucket pivot pins: 3800 lbs.
- Maximum digging depth: 5 inches
- Dump angle: 50 degrees
- Roll back angle: 35 degrees
- Reach at maximum height: 31 inches
- Pivot pins diameter: 1.25 inches

To Order a Complete Loader by Ordering Individual Components

- Find the tractor brand and model you are attempting to fit in the **Tractor/Loader Adaptability Chart**.
- Select the loader model you wish to price (each model belongs to a Loader Series, i.e., Utility Series).
- Go to the appropriate Loader Model **Component Order** tab.
- Find the tractor brand / model you are fitting in the **Tractor Reference** section – part numbers needed to configure a loader are listed (except loader frame and bucket).
- Order loader frame.
- Order front-end attachment(s).
- Order mounting kit.
- Order valve kit.
- Order hose kit OR 4-hose kit to connect to OEM remote valve.
- Order grill guard.

Be sure to refer to the “Notes” column; Tractor Notes are found at the end of each tabbed section in the Loader price pages. Prices for each component are listed in the appropriate component section. If you have any questions, please contact Woods® Dealer Services.

EXAMPLE:

When ordering a loader to fit a Ford®-New Holland® tractor, model TN65, do the following:

1. The Ford-New Holland TN65 tractor is fit by two Woods loader models: LU126 and LU132. (Reference the Tractor/Loader Adaptability Chart.) Let's select LU132.
2. Flip to the LU132 **Components** tab and go to the Tractor Reference Chart for components to order to complete the LU132 Loader.
 - a. **Section 1** – Order the loader frame #2313257 (Vibrant Blue to match New Holland).
 - b. **Section 2** – Order the bucket #2360072 (72" pin attachment bucket).
Note: If selecting a quick change system, order Quick Attachment Coupler System and buckets compatible with the Quick Attachment Coupler System. Other front end attachments may be ordered within this section.
 - c. **Section 3** – Order the mounting kit #111874.
 - d. **Section 4** – Order the valve kit #1028841.
 - e. **Section 5** – Order hose kit #1023583 included with valve OR the 4-hose kit #58025 if using OEM loader valve.
 - f. **Section 6** – Order grill guard #40448.

UTILITY SERIES LOADERS – MODEL LU132 TRACTOR REFERENCE CHART

Tractor Brand / Model	Fits Tractor Type				Mount Kit	Hydraulic Package			OR	4-Hose Kit	Grill Guard	Tractor Notes
	2WD	4WD	ROPS	CAB		2-Spool Valve Kit	Hoses for Loader Valve	Connects to OEM Valve				
CASE IH®												
695/895/995	X	X	X		111833	1028841	58029		58025	57862	12, 19	
CX70/CX80		X	X	X	111864	1028845	58029		58025	57862	1, 12	
Farmall® 70/80	X	X	X	X	2300013	1029710	1029713		N/A	1009274	15	
Farmall 85/95	X	X	X	X	2300017	1029710	1029713		N/A	1009274	13, 15	
Farmall 85C/95C	X	X	X		2300016	N/A	N/A		1010460-MR	40448	14, 15	
Farmall 85C/95C (Pedestal Mount)	X	X	X	X	2300021	N/A	N/A		1010460-MR	40448	14, 17	
Farmall 85U/95U/105U	X	X	X	X	2300009	N/A	N/A		1028835	1028908	14, 15	
Farmall 85U/95U/105U (Pedestal Mount)	X	X	X	X	2300012	N/A	N/A		1028835-MR	1028908	16	
Farmall 90/95	X	X	X	X	2300014	1029710	1029713		N/A	1009274	13, 21	
JX75/JX85		X	X	X	111889	1028842	1023579		58025	1009274	5	
JX80/JX90	X	X	X	X	111889	1028842	1023579		58025	1009274	5	
JX95		X	X	X	111890	1028842	1023579		58025	1009274	5	
JX1060C/JX1070C/JX1075C		X	X	X	111897	1028841	1023583		1010460-MR	1012018	2, 4, 6	
JX1080U		X	X	X	2300009	N/A	N/A		1028835	1012018	7	
JX1085C/JX1095C		X	X	X	2300003	N/A	N/A		1028835	1018190	2, 9	
JX1090U/JX1100U		X	X	X	2300009	N/A	N/A		1028835	1012018	7	
CHALLENGER®												
MT425B/MT445B		X	X	X	211822	N/A	N/A		58025	1015430	8	
FORD® & NEW HOLLAND®												
T4040/T4050	X	X	X		2300016	N/A	N/A		1010460-MR	40448	14, 15	
T4040/T4050 (Pedestal Mount)	X	X	X	X	2300021	N/A	N/A		1010460-MR	40448	14, 17	
T5040/T5050/T5060/T5070	X	X	X	X	2300009	N/A	N/A		1028835	1028908	14, 15	
T5040/T5050/T5060/T5070 (Pedestal Mount)	X	X	X	X	2300012	N/A	N/A		1028835-MR	1028908	16	
TD75D/TD80D/TD90D	X	X	X	X	111889	1028842	1023579		58025	1009274	5, 10	
TD95D	X	X	X	X	111890	1028842	1023579		58025	1009274	5, 10	
TD5030	X	X	X	X	2300013	1029710	1029713		N/A	1009274	15	
TD5050 (Loader Ready)	X	X	X	X	2300014	1029710	1029713		N/A	1009274	13, 21	
TD5050	X	X	X	X	2300017	1029710	1029713		N/A	1009274	13, 15	
TL80A		X	X	X	2300009	N/A	N/A		1028835	1012018	7	
TL90A/TL100A		X	X	X	2300009	N/A	N/A		1028835	1012018	7	
TN55/TN65/TN70/TN75		X	X	X	111874	1028841	1023583		58025	40448	4	
TN55D/TN65D/TN70D/TN75D		X		X	111897	N/A	N/A		1010460-MR	1012018	2, 4	
TN60A/TN70A/TN75A		X	X		111897	1028841	1023583		1010460-MR	1012018	4, 6	
TN60DA/TN70DA/TN75DA		X		X	111897	N/A	N/A		1010460-MR	1012018	4, 6	
TN75SA		X	X	X	2300001	N/A	N/A		1010460-MR	N/A	2	
TN85A/TN85DA/TN95A/TN95DA		X	X	X	2300003	N/A	N/A		1028835	1018190	2, 10	
JOHN DEERE®												
5425/5525	X	X	X	X	211819	N/A	N/A		57924-RR, 1002877-MR	1014551		
KIOTI®												
DK65S		X	X	X	211814	N/A	N/A		1005047	1012360	3, 18	
DK75/DK90		X	X	X	2300030	N/A	N/A		1034290	1034275	20	
KUBOTA®												
M7040	X	X	X	X	211832	1028843	included w/valve		1028836	1018206		
M8200/M9000	X	X	X		111868	1028841	1023561		40542	w/mount		
M8200/M9000	X	X		X	111868	1028845	1023556		40542	w/mount		
M8540/M9540	X	X	X		2300004	1028841	1023601		1028836	1018206	9	
M8540/M9540	X	X		X	2300004	1028844	included w/valve		1028836	1018206	9	

Note: If listed, 4-hose kit for use with tractor remotes may be ordered instead of Woods valve and hose kit for loader valve.

UTILITY SERIES LOADERS – MODEL LU132 TRACTOR REFERENCE CHART (Continued)

Tractor Brand / Model	Fits Tractor Type				Mount Kit	Hydraulic Package		OR	4-Hose Kit		Tractor Notes
	2WD	4WD	ROPS	CAB		2-Spool Valve Kit	Hoses for Loader Valve		Connects to OEM Valve	Grill Guard	
LANDINI®											
1-75/1-90		X	X	X	2300030	N/A	N/A		1034290	1034275	20
MAHINDRA®											
6520/7520		X	X		211811	1028841	1023563		N/A	1014132	
MASSEY FERGUSON®											
573/583	X	X	X		2300007	1028840	1024025		N/A	1013347	
3625/3635/3645	X	X	X	X	2300008	N/A	N/A		1025970-MR	1025263	11
5435/5445		X	X	X	211822	N/A	N/A		58025	1015430	8
McCORMICK®											
CX70/CX80		X	X	X	111864	1028845	58029		58025	57862	12
X10.75/X10.90		X	X	X	2300030	N/A	N/A		1034290	1034275	20

Note: If listed, 4-hose kit for use with tractor remotes may be ordered instead of Woods valve and hose kit for loader valve.

Frames – Loader Model LU132

Part No.	Description	Shipping Wt. (lbs.)	Suggested List Price
2313250	Black (Universal)	734	\$ 5,373.00
2313251	Green to match John Deere®	734	5,373.00
2313252	Red to match Case IH®	734	5,373.00
2313253	Blue to match Ford® & New Holland®	734	5,373.00
2313254	Orange to match Kubota®	734	5,373.00
2313255	Miscellaneous Color (Contact Dealer Service for Price and Availability)	734	5,373.00
2313256	Red to match Massey Ferguson®	734	5,373.00
2313257	Vibrant Blue to match New Holland	734	5,373.00
2313259	Red to match Branson®	734	5,373.00
2313260	Red to match Mahindra®	734	5,373.00
2313261	Red to match McCormick®	734	5,373.00
2313272	Red to match Case IH (Pedestal Mounts Only)	734	5,373.00
2313277	Vibrant Blue to match New Holland (Pedestal Mounts Only)	734	5,373.00

UTILITY SERIES LOADERS – BUCKETS & FRONT-END ATTACHMENTS

SECTION 2

Buckets & Front End Attachments – Loader Model LU132

STANDARD BUCKETS – PIN ATTACHMENT – Or choose Quick Attachment Coupler in sections below

Part No.	Width (in.)	Description	Capacity	Shipping Wt. (lbs.)	Suggested List Price	Qty. of 5 List Price *
2360072	72	Heavy-Duty Loader Bucket – Pin Attachment	17.7 cu. ft.	375	\$ 1,301.00	—

OPTIONAL QUICK ATTACHMENT COUPLER SYSTEM – Order in place of Standard Buckets above

2350000		Quick Attachment Coupler Assembly (Skid Steer Type)		84	\$ 651.00	—
2390000		ISO (Euro Style) Quick Attachment Coupler		100	651.00	—

OPTIONAL BUCKETS – Compatible with Quick Attachment Coupler System

2370072	72	Heavy-Duty Loader Bucket – Quick Attachment Coupler System (Skid Steer)	17.7 cu. ft.	377	\$ 1,301.00	—
2370084	84	Heavy-Duty Loader Bucket – Quick Attachment Coupler System (Skid Steer)	20.8 cu. ft.	420	1,406.00	—
2390072	72	Heavy-Duty Loader Bucket – ISO (Euro) Quick Attachment Coupler System	17.7 cu. ft.	360	1,301.00	—
2390084	84	Heavy-Duty Loader Bucket – ISO (Euro) Quick Attachment Coupler System	20.8 cu. ft.	406	1,406.00	—

Note: Loader buckets are punched for optional Bolt-on Cutting Edges.

OPTIONAL BOLT-ON EDGES AND TINE KITS

46384	72	Bolt-On Edge for 72" Buckets, includes hardware		55	\$ 186.00	—
46385	84	Bolt-On Edge for 84" Buckets, includes hardware		63	213.00	—
46380		Tine Kit for 72" Buckets, includes hardware (Must drill holes in bucket)		33	142.00	—
46381		Tine Kit for 84" Buckets, includes hardware (Must drill holes in bucket)		45	178.00	—

SKID STEER ATTACHMENTS – Compatible with Quick Attachment Coupler System

52756	60	MF6000 – 60" Manure Fork		349	\$ 2,070.00	—
52757	66	MF6600 – 66" Manure Fork		377	2,209.00	—
52758	72	MF7200 – 72" Manure Fork		410	2,351.00	—
52753	50	GF3000 – Grapple Attachment for Manure Forks		260	2,209.00	—
1037170		BS3044S – Single Bale Spear w/2 Stabilizer Spikes – Skid Steer Quick Attach	3000 lbs.	198	690.00	\$ 621.00
1037171		BS6044S – Double Bale Spear – Skid Steer Quick Attach	6000 lbs.	231	840.00	756.00
1037172		BS7038S – Triple Bale Spear – Skid Steer Quick Attach	7000 lbs.	252	980.00	882.00
1037797		BS3044E – Single Bale Spear w/2 Stabilizer Spikes – Euro Quick Attach	3000 lbs.	TBD	710.00	639.00
1037798		BS6044E – Double Bale Spear – Euro Quick Attach	6000 lbs.	TBD	860.00	774.00
1037799		BS7038E – Triple Bale Spear – Euro Quick Attach	7000 lbs.	TBD	1,000.00	900.00
1038172		PF4436S – Pallet Fork with 36" Lockdown Tines	4400 lbs.	394	1,079.00	971.00
1038173		PF4442S – Pallet Fork with 42" Lockdown Tines	4400 lbs.	409	1,110.00	999.00
1038174		PF4448S – Pallet Fork with 48" Lockdown Tines	4400 lbs.	428	1,129.00	1,016.00
1026750		AB720-2 – Angle Broom – 72" Sweeping Path, heavy-duty design (Alitec™ Discounts Apply)		922	6,453.00	—

* Order 5 units in any combination of bale spears or any combination of pallet forks to receive an additional 10% discount.

OPTIONAL WEIGHT BOX FOR THREE-POINT HITCH

1006124		Weight Box for Rear Ballast – Fits Category 1, 3-Point Hitch	6.0 cu. ft.	113	\$ 473.00	—
---------	--	--	-------------	-----	-----------	---

Mounting Kits – Loader Model LU132

Mount Kit Part No.	Tractor Brand / Model	Fits Tractor Type				Ship Wt. (lbs.)	Suggested List Price
		2WD	4WD	ROPS	CAB		
CASE IH®							
111833	695/895/995	X	X	X		264	\$ 1,406.00
111864	CX70/CX80		X	X	X	363	1,406.00
2300013	Farmall® 70/80	X	X	X	X	391	1,757.00
2300017	Farmall 85/95	X	X	X	X	370	1,547.00
2300016	Farmall 85C/95C	X	X	X		418	1,757.00
2300021	Farmall 85C/95C (Pedestal Mount)	X	X	X	X	570	2,874.00
2300009	Farmall 85U/95U/105U	X	X	X	X	364	1,757.00
2300012	Farmall 85U/95U/105U (Pedestal Mount)	X	X	X	X	684	2,874.00
2300014	Farmall 90/95	X	X	X	X	433	1,757.00
111889	JX80/JX90	X	X	X	X	541	2,318.00
111889	JX75/JX85		X	X	X	541	2,318.00
111890	JX95		X	X	X	391	1,547.00
111897	JX1060C/JX1070C/JX1075C		X	X	X	449	1,757.00
2300009	JX1080U		X	X	X	364	1,757.00
2300003	JX1085C/JX1095C		X	X	X	338	1,757.00
2300009	JX1090U/JX1100U		X	X	X	364	1,757.00
CHALLENGER®							
211822	MT425B/MT445B		X	X	X	440	1,689.00
FORD® & NEW HOLLAND®							
2300016	T4040/T4050	X	X	X		418	1,757.00
2300021	T4040/T4050 (Pedestal Mount)	X	X	X	X	570	2,874.00
2300009	T5040/T5050/T5060/T5070	X	X	X	X	364	1,757.00
2300012	T5040/T5050/T5060/T5070 (Pedestal Mount)	X	X	X	X	684	2,874.00
111889	TD75D/TD80D/TD90D	X	X	X	X	541	2,318.00
111890	TD95D	X	X	X	X	391	1,547.00
2300013	TD5030	X	X	X	X	391	1,757.00
2300014	TD5050 (Loader Ready)	X	X	X	X	433	1,757.00
2300017	TD5050	X	X	X	X	370	1,547.00

Mount Kit Part No.	Tractor Brand / Model	Fits Tractor Type				Ship Wt. (lbs.)	Suggested List Price
		2WD	4WD	ROPS	CAB		
FORD & NEW HOLLAND (Continued)							
2300009	TL80A		X	X	X	364	\$ 1,757.00
2300009	TL90A/TL100A		X	X	X	364	1,757.00
111874	TN55/TN65/TN70/TN75		X	X	X	361	1,406.00
111897	TN55D/TN65D/TN70D/TN75D		X		X	449	1,757.00
111897	TN60A/TN70A/TN75A		X	X		449	1,757.00
111897	TN60DA/TN70DA/TN75DA		X		X	449	1,757.00
2300001	TN75SA		X	X	X	379	1,757.00
2300003	TN85A/TN85DA/TN95A/TN95DA		X	X	X	338	1,757.00
JOHN DEERE®							
211819	5425/5525		X	X	X	387	1,406.00
KIOTI®							
211814	DK65S		X	X	X	421	1,617.00
2300030	DK75/DK90		X	X	X	338	1,583.00
KUBOTA®							
211832	M7040		X	X	X	307	721.00
111868	M8200/M9000		X	X	X	538	1,969.00
2300004	M8540/M9540		X	X	X	224	1,058.00
LANDINI®							
2300030	1-75/1-90		X	X	X	338	1,583.00
MAHINDRA®							
211811	6520/7520		X	X		315	1,689.00
MASSEY FERGUSON®							
2300007	573/583		X	X	X	445	2,067.00
2300008	3625/3635/3645		X	X	X	578	2,192.00
211822	5435/5445		X	X	X	440	1,689.00
MCCORMICK®							
111864	CX70/CX80		X	X	X	363	1,406.00
2300030	X10.75/X10.90		X	X	X	338	1,583.00

UTILITY SERIES LOADERS – LOADER VALVE KITS

SECTION 4

Valve Kits – Loader Model LU132

Part No.	Description	Shipping Wt. (lbs.)	Suggested List Price
1028840	Joystick Valve Kit – 2 function, 2500 psi relief – Direct Control, Series Regenerative	40	\$ 1,124.00
1028841	Joystick Valve Kit – 2 function, 2750 psi relief – Direct Control, Parallel	62	1,124.00
1028842	Joystick Valve Kit – 2 function, 2500 psi relief – Cable Control, Series Regenerative	58	1,547.00
1028843	Joystick Valve Kit – 2 function, 2500 psi relief – Cable Control, Series Regenerative (includes hoses)	51	1,547.00
1028844	Joystick Valve Kit – 2 function, 2750 psi relief – Cable Control, Parallel (includes hoses)	61	1,547.00
1028845	Joystick Valve Kit – 2 function, 2750 psi relief – Cable Control, Parallel	70	1,547.00
1029710	Joystick Valve Kit – 2 function, 2500 psi relief – Cable Control, Series Regenerative	51	1,547.00
1028722	Optional hydraulic self-level kit (maintains level position of bucket/attachment as loader is raised; no leveling as loader is lowered)	20	982.00

Hose Kits – Loader Model LU132

Part No.	Description	Shipping Wt. (lbs.)	Suggested List Price
40542	Hose Kit – (4) 150" connects loader feedlines to tractor remote couplers	29	\$ 424.00
57924	Hose Kit – (4) 150" connects loader feedlines to tractor remote couplers	31	424.00
58025	Hose Kit – (4) 150" connects loader feedlines to tractor remote couplers	32	459.00
58029	Hose Kit – (2) 120" w/check valve, connects loader valve to tractor remote couplers	16	459.00
1002877	Hose Kit – (4) 60" for Mid Tractor remotes	16	282.00
1005047	Hose Kit – (4) 48" connects loader feedlines to tractor remote couplers; Note: Includes couplers	9	213.00
1010460	Hose Kit – (4) 76" Case IH® and Ford® & New Holland®, reference 111897/2300001/2300016/2300021 mount kits	16	470.00
1018219	Hose Kit – (4) 74" connects loader feedlines to OEM mid-mount valve	16	415.00
1023556	Hose Kit – Power Beyond, Kubota M8200/M9000 with cab, reference 111868 mount kit	17	354.00
1023561	Hose Kit – Power Beyond, Kubota M8200/M9000 without cab, reference 111868 mount kit	14	354.00
1023563	Hose Kit – Power Beyond, Mahindra® 6520/7520, reference 211811 mount kit	15	169.00
1023579	Hose Kit – Power Beyond, Case IH and Ford & New Holland, reference 111889/111890 mount kits	6	213.00
1023583	Hose Kit – Power Beyond, Case IH and Ford & New Holland, reference 111874/111897 mount kit	18	424.00
1023601	Hose Kit – Power Beyond, Kubota® M8540/M9540, reference 2300004 mount kit	10	451.00
1024025	Hose Kit – Power Beyond, Massey Ferguson® 573/583, reference 2300007 mount kit	13	262.00
1025970	Hose Kit – (4) 76" Massey Ferguson 3625/3635/3645, reference 2300008 mount kit	16	387.00
1028835	Hose Kit – (4) 76" Case IH and Ford & New Holland to connect to OEM loader valve (mid-remotes), reference 2300003/2300009/2300012 mount kits	14	424.00
1028836	Hose Kit – (4) 74" connects loader feedlines to OEM mid-mount valve	18	387.00
1029713	Hose Kit – (3) 66" Case IH and New Holland, reference 2300013/2300014/2300017 mount kits	9	213.00
1034290	Hose Kit – Kioti® DK75/DK90, Landini® 1-75/1-90 and McCormick® X10.75/X10.90, reference 2200030 mount kit	12	247.00

UTILITY SERIES LOADERS – GRILL GUARDS

SECTION 6

Grill Guards – Loader Model LU132

Part No.	Description	Shipping Wt. (lbs.)	Suggested List Price
40448	Grill Guard – Case IH and Ford & New Holland, reference 111874/2300016/2300021 mount kits	40	\$ 178.00
57862	Grill Guard – Case IH 695/895/995, CX70/CX80 and McCormick CX70/CX80, reference 111833/111864 mount kits	32	178.00
1009274	Grill Guard – Case IH and Ford & New Holland, reference 111889/111890/2300013/2300014/2300017 mount kits	39	178.00
1012018	Grill Guard – Case IH and Ford & New Holland, reference 111897/2300009 mount kits	27	178.00
1012360	Grill Guard – Kioti DK65S, reference 211814 mount kit	58	256.00
1013347	Grill Guard – Massey Ferguson 573/583, reference 2300007 mount kit	44	256.00
1014132	Grill Guard – Mahindra 6520/7520, reference 211811 mount kit	38	169.00
1014551	Grill Guard – John Deere 5025-series, reference 211819 mount kit	52	247.00
1015430	Grill Guard – Challenger® MT425B/MT445B and Massey Ferguson® 5435/5445, reference 211822 mount kit	33	213.00
1018190	Grill Guard – Case IH JX1085C/JX1095C and New Holland TN85A/TN85DA/TN95A/TN95DA, reference 2300003 mount kit	39	208.00
1018206	Grill Guard – Kubota M7040/M8540/M9540, reference 211832/2300004 mount kits	49	305.00
1025263	Grill Guard – Massey Ferguson 3625/3635/3645, reference 2300008 mount kit	31	186.00
1028908	Grill Guard – Case IH Farmall® 85U/95U/105U and New Holland T5040/T5050/T5060/T5070, reference 2300009/2300012 mount kits	60	217.00
1034275	Grill Guard – Kioti DK75/DK90, Landini 1-75/1-90 and McCormick X10.75/X10.90, reference 2200030 mount kit	49	256.00

Miscellaneous – Loader Model LU132

Part No.	Description	Shipping Wt. (lbs.)	Suggested List Price
1005093	Paint – Case of 12 Spray Cans – Red to match Case IH®	13	\$ 178.00
1005095	Paint – Case of 12 Spray Cans – Blue to match New Holland® Vibrant Blue	13	178.00
1005096	Paint – Case of 12 Spray Cans – Blue to match New Holland Ford® Blue	13	178.00
1005097	Paint – Case of 12 Spray Cans – Orange to match Kubota®	13	178.00
1005098	Paint – Case of 12 Spray Cans – Red to match Massey Ferguson®	13	178.00
1024092	Exhaust Relocation Kit	17	\$ 289.00

UTILITY SERIES LOADERS – TRACTOR NOTES

SECTION 8

Tractor Notes – Loader Model LU132

1. Mount is compatible with Case 292861A cable control valve kit.
2. Requires Case/New Holland joystick OEM valve.
3. Hose kit 1005047 is for tractor remote valve.
4. Does not fit tractors with Super Steer or Orchard/Vineyard models.
5. Mount is compatible with OEM cable control valve kit, but additional fittings may be required.
6. Hose kit 1010460 requires OEM mid-remote loader valve.
7. Hose kit 1028835 may be used to connect to OEM mid-remote loader valve.
8. Fits 14.9R24 or smaller tires. Oscillation stop included. Adjust steering stop, recommend 64.5” front wheel width.
9. Hose kit 1028836 requires mid-mount loader valve.
10. ROPS tractors and some CAB models with exhaust in the middle of the hood must order Exhaust Relocation Kit 1024092. Refer to Miscellaneous section for pricing.
11. Hose kit 1025970 requires Massey Ferguson mid-remote cable control valve.
12. Hose kit 58029 requires one rear tractor remote valve to provide oil flow to the loader valve.
13. Tractor steering stop adjustment required for some tire sizes and front tread settings.
14. Requires OEM mid-mount loader control valve.
15. Not compatible with OEM “Loader Ready” mounting brackets.
16. Requires OEM “Loader Ready” mounting brackets and OEM mid-mount loader control valve.
17. Requires 1028742 “Loader Ready” mounting brackets if not equipped with OEM “Loader Ready” mounting brackets.
18. Tractor must be equipped with vertical exhaust.
19. Does not fit with heavy-duty “I” beam front axle.
20. Hose kit connects to OEM loader valve supplied with tractor.
21. Tractor must be equipped with loader ready brackets.

LU215 Features and Specifications

FEATURES:

- Curved loader boom
- Spee-D-Tach mounting system
- Parking stands – stored on loader boom
- Bucket level indicator rod
- Manual storage tube
- Quick Attachment Coupler System – Skid Steer or Euro Style
- 2-year warranty



SPECIFICATIONS:

- Fits 50 – 100 hp tractors (2WD & FWA)
- Lift height: 138 inches
- Lift cylinders: 2.76 inches; Bucket cylinders: 2.76 inches
- Lift capacity at bucket pins: 3600 lbs.
- Lift capacity at 31.5 inches ahead of bucket pivot pins: 2400 lbs.
- Capacities rated at 2750 psi

- Breakout at bucket pins: 5100 lbs.
- Breakout at 31.5 inches ahead of bucket pivot pins: 3600 lbs.
- Maximum digging depth: 5 inches
- Dump angle: 45 degrees
- Roll back angle: 22 degrees
- Reach at maximum height: 28 inches
- Pivot pins diameter: 1.25 inches

To Order a Complete Loader by Ordering Individual Components

- Find the tractor brand and model you are attempting to fit in the **Tractor/Loader Adaptability Chart**.
- Select the loader model you wish to price (each model belongs to a Loader Series, i.e., Utility Series).
- Go to the appropriate Loader Model **Component Order** tab.
- Find the tractor brand / model you are fitting in the **Tractor Reference** section – part numbers needed to configure a loader are listed (except loader frame and bucket).
- Order loader frame.
- Order front-end attachment(s).
- Order mounting kit.
- Order valve kit AND hose kit for loader valve.
- OR order 4-hose kit to connect to OEM remote valve.
- Order any additional components as described in “**Notes**”.

Be sure to refer to the “Notes” column; Tractor Notes are found at the end of each tabbed section in the Loader price pages. Prices for each component are listed in the appropriate component section. If you have any questions, please contact Woods® Dealer Services.

UTILITY SERIES LOADERS – MODEL LU215 TRACTOR REFERENCE CHART

Note: Unless otherwise stated, Model LU215 Loader will only fit ROPS (Non-cab) tractors.

Tractor Brand / Model	Fits Tractor Type				Mount Kit	Hydraulic Package		OR	4-Hose Kit	
	2WD	4WD	ROPS	CAB		2-Spool Valve Kit	Hoses for Loader Valve		Connects to OEM Valve	Tractor Notes
CASE IH®										
584/585/684/685/885	X	X	X		118421	1032695			58025	12
585/685/885	X	X		X	118435	1032700	58029		58025	11, 12
595/695/895/995	X	X		X	118435	1032700	58029		58025	11, 12
784/884/84 Hydro	X		X		118421	1032695			58025	12
1290/1294	X		X		118413	1032695			58025	
1390/1394	X	X	X		118413	1032695			58025	
3230	X	X	X		118435	1032695			58025	12
4210/4230/4240	X	X		X	118435	1032700			58025	11, 12
5120/5220	X			X	118432	193122	Included w/valve			
C70/C80/C90/C100	X	X	X		118435	1032695	58029		58025	
CX70/CX80/CX90/CX100	X	X		X	118479	1032700	1002327		58025	10
JX80U		X	X		118481	1032695	44435		1009024	13
JX90U/JX100U		X	X		118481	1032695	44435		1009024	13
JX1060C/JX1070C/JX1075C		X	X	X	118480	1032700	1006369		1010460	17
JX1080U/JX1090U/JX1100U		X	X	X	118489				1010460	
MX80C/MX90C/MX100C	X	X		X	118471				58083	
MXU100/MXU110	X	X	X	X	118484				58025	15, 16
MXU125/MXU135	X		X	X	118487				1010397	14
MXU125/MXU135		X	X	X	118482				1010397	14, 16
CHALLENGER®										
MT425B/MT445B/MT455B/MT465B	X	X	X	X	118491				58025	19
DUETZ-ALLIS®										
DX3.10/DX3.30/DX3.50/6240/6250/6260	X	X	X		118419	1032695			N/A	11
DX3.70/DX3.90/6265/6275	X	X		X	118420	1032700			N/A	6
DX4.70/7085	X	X		X	118412	1032700			N/A	6, 10
FORD® & NEW HOLLAND®										
3910/3930/4610/4630		X	X		118434	1032695			57924	2
4830/5030	X	X		X	118445	1032700				
4835/5635/6635/7635	X	X		X	118474	1032700	44435		44436-RR	
5600/5610/6600/6610 Series I	X	X		X	118423	1032700			57924	6
5610/6610/7610 Series II	X		X		118423	1032695			57924	6
5610/6610/7610 Series II	X	X		X	118424	1032700	1001220		57924	6
5610S/6610S/7610S	X	X	X		118424	1032695	1001220		57923	
5640		X		X	118470				58025	
5640/6640/7740 S, SL, SLE	X			X	118439				58025	
5900	X		X		118423	1032695			57924	
6700/6710/7700/7710 Series I	X			X	118423	1032700				6
7600/7610 Series I	X	X		X	118423	1032700			58025	6
7810 Series II	X			X	118436	1032700			58025	
TB100/TB110	X	X	X		118486	1032695	1011484		58025	
TL70/TL80/TL90/TL100		X		X	118474	1032700	44435		44436-RR	
TL80A/TL90A/TL100A		X	X	X	118489				1010460-MR	

Tractor Reference Chart continued on next page.

Note: If listed, 4-hose kit for use with OEM valve may be ordered instead of Woods valve and hose kit for loader valve.

N/A = Not Available

UTILITY SERIES LOADERS – MODEL LU215 TRACTOR REFERENCE CHART (Continued)

Note: Unless otherwise stated, Model LU215 Loader will only fit ROPS (Non-cab) tractors.

Tractor Brand / Model	Fits Tractor Type				Mount Kit	Hydraulic Package		OR	4-Hose Kit	
	2WD	4WD	ROPS	CAB		2-Spool Valve Kit	Hoses for Loader Valve		Connects to OEM Valve	Tractor Notes
FORD® & NEW HOLLAND® (Continued)										
TN60DA/TN60Z/TN70A/TN70DA/TN75A/TN75DA		X	X		118480	1032695	1006369		58025-RR, 1010460-MR	17
TN65/TN70/TN75		X	X		118480	1032695	1006369		58025	
TS90/TS100/TS110	X	X		X	118469				58025	
TS100A/TS110A	X	X	X	X	118484				58025, 1010397-MR	15, 16
TS115A/TS125A/TS135A	X		X	X	118487				58025, 1010397-MR	14
TS115A/TS125A/TS135A		X	X	X	118482				1010397	14, 16
HESSTON®										
880-5	X	X		X	118403	1032700				
JOHN DEERE®										
2350/2355/2550/2555	X	X	X		118402	1032695			58025	1
2510/2520	X		X		118402	1032695			58025	1
2750/2755/2950/2955	X	X	X	X	118402	1032695			58025	
3010/3020/4000/4010/4020	X		X		118402	1032695			58025	1
5065M/5075M/5085M/5095M/5105M	X	X	X	X	118496				1030124	
5410/5420/5500/5510/5520		X	X		118460	1032695			58025	
6200/6210/6215/6300/6310/6400/6410	X	X		X	118448				58025	4
KUBOTA®										
M105S	X	X	X	X	118485	1032700	1011100			
M110/M120	X	X		X	118478	1032700	1000533		57988	
M125X		X		X	118492				57988	18
M7030SU		X	X		118459	1032695				
MASSEY FERGUSON®										
283		X	X		118465	1032695				5
283 (SN "F" & Later)	X		X		118444	1032695				5
375/390/398	X	X		X	118457	1032700				
383	X			X	118457	1032700				
393	X			X	118457	1032700				
396/399	X			X	118446				58025	3
492	X	X	X		118494	1032695	1018146			
4243/4245/4253/4255 (With "U" in SN)	X	X		X	118467	1032700	58662		58025	
4243/4245/4253/4255 (With "U" in SN)	X	X	X		118468	1032695	58662		58025	
4243/4245/4253/4255 (With "G" or later in SN)	X	X		X	118473	1032700	58662		58025	
5435/5445/5455/5460	X	X	X	X	118491				58025	19
McCORMICK®										
C70/C80	X	X	X	X	118435	1032695	58029		58025	
CX75/CX85/CX95/CX105	X		X	X	118488				58025	
WHITE®										
60/80	X	X	X		118430	1032695				9, 10
ZETOR®										
4340/6340 (Carraro® Front Axle)	X	X	X		118458	1032695	58029			7, 9
4340/6340 (Zetor® Front Axle)	X	X	X		118456	1032695	58029			8

Note: If listed, 4-hose kit for use with tractor remotes may be ordered instead of Woods valve and hose kit for loader valve.

Frames – Loader Model LU215

Part No.	Description	Shipping Wt. (lbs.)	Suggested List Price
2321500	Black (Universal)	1000	\$ 6,266.00
2321501	Green to match John Deere®	1000	6,266.00
2321502	Red to match Case IH®	1000	6,266.00
2321503	Blue to match Ford® & New Holland®	1000	6,266.00
2321504	Orange to match Kubota®	1000	6,266.00
2321505	Miscellaneous Color (Contact Dealer Service for Price and Availability)	1000	6,266.00
2321506	Red to match Massey Ferguson®	1000	6,266.00
2321507	Vibrant Blue to match New Holland	1000	6,266.00
2321511	Red to match McCormick®	1000	6,266.00

UTILITY SERIES LOADERS – BUCKETS & FRONT-END ATTACHMENTS

SECTION 2

Buckets & Front End Attachments – Loader Model LU215

“SKID STEER” TYPE QUICK ATTACHMENT COUPLER SYSTEM AND COMPATIBLE ATTACHMENTS

Part No.	Description	Capacity	Shipping Wt. (lbs.)	Suggested List Price	Qty. of 5 List Price *
2370001	Skid Steer Type Quick Attachment Coupler Assembly		125	\$ 804.00	—
2370084	84” Heavy-Duty Loader Bucket – Skid Steer Type Quick Attach	20.8 cu. ft.	420	1,406.00	—
52757	MF6600 – 66” Manure Fork – Skid Steer Type Quick Attach		377	2,209.00	—
52758	MF7200 – 72” Manure Fork – Skid Steer Type Quick Attach		410	2,351.00	—
52753	GF3000 – Grapple Attachment for Manure Forks		260	2,209.00	—
1037170	BS3044S – Single Bale Spear with two Stabilizer Spikes – Skid Steer Quick Attach	3000 lbs.	198	690.00	\$ 621.00
1037171	BS6044S – Double Bale Spear – Skid Steer Quick Attach	6000 lbs.	231	840.00	756.00
1037172	BS7038S – Triple Bale Spear – Skid Steer Quick Attach	7000 lbs.	252	980.00	882.00
1038172	PF4436S – Pallet Fork with 36” Lockdown Tines – Skid Steer Type Quick Attach	4400 lbs.	394	1,079.00	971.00
1038173	PF4442S – Pallet Fork with 42” Lockdown Tines – Skid Steer Type Quick Attach	4400 lbs.	409	1,110.00	999.00
1038174	PF4448S – Pallet Fork with 48” Lockdown Tines – Skid Steer Type Quick Attach	4400 lbs.	428	1,129.00	1,016.00
1038163	PF6648S – Pallet Fork with 48” Lockdown Tines – Skid Steer Type Quick Attach	6600 lbs.	495	1,426.00	1,283.00

* Order 5 units in any combination of bale spears or any combination of pallet forks to receive an additional 10% discount.

“EURO” STYLE QUICK ATTACHMENT COUPLER SYSTEM AND COMPATIBLE ATTACHMENTS

2390001	Euro Style, ISO 23206 Quick Attachment Coupler Assembly		125	\$ 804.00	—
2390084	84” Heavy-Duty Loader Bucket – Euro Style, ISO 23206 Quick Attach	20.8 cu. ft.	406	1,406.00	—
1037797	BS3044E – Single Bale Spear with two Stabilizer Spikes – Euro Quick Attach	3000 lbs.	TBD	710.00	\$ 639.00
1037798	BS6044E – Double Bale Spear – Euro Quick Attach	6000 lbs.	TBD	860.00	774.00
1037799	BS7038E – Triple Bale Spear – Euro Quick Attach	7000 lbs.	TBD	1,000.00	900.00
1038164	PF6648E – Pallet Fork w/48” Lockdown Tines – Euro Style, ISO 23206 Quick Attach	6600 lbs.	507	1,626.00	1,463.00

* Order 5 units in any combination of bale spears or any combination of pallet forks to receive an additional 10% discount.

OPTIONAL ATTACHMENTS

46385	Bolt-on Cutting Edge for 84” Buckets, includes hardware		63	\$ 213.00	—
46381	Tine Kit for 84” Buckets, includes hardware (Must drill holes in bucket)		45	178.00	—
1006124	Weight Box for Rear Ballast – Fits Category 1, 3-Point Hitch	6.0 cu. ft.	113	473.00	—

Mounting Kits – Loader Model LU215

Mount Kit Part No.	Tractor Brand / Model	Fits Tractor Type				Ship Wt. (lbs.)	Suggested List Price
		2WD	4WD	ROPS	CAB		
CASE IH®							
118421	584/585/684/685/885	X	X	X		297	\$ 1,335.00
118435	585/685/885	X	X		X	280	1,335.00
118435	595/695/895/995	X	X		X	280	1,335.00
118421	784/884/84 Hydro	X		X		297	1,335.00
118413	1290/1294	X		X		265	1,476.00
118413	1390/1394	X	X	X		265	1,476.00
118435	3230	X	X	X		280	1,335.00
118435	4210/4230/4240	X	X		X	280	1,335.00
118432	5120/5220	X			X	274	1,335.00
118435	C70/C80/C90/C100	X	X	X		280	1,335.00
118479	CX70/CX80/CX90/CX100	X	X		X	338	1,476.00
118481	JX80U		X	X		531	1,757.00
118481	JX90U/JX100U		X	X		531	1,757.00
118480	JX1060C/JX1070C/ JX1075C		X	X	X	404	1,476.00
118489	JX1080U/JX1090U/ JX1100U		X	X	X	506	1,757.00
118471	MX80C/MX90C/MX100C	X	X		X	392	1,476.00
118484	MXU100/MXU110	X	X	X	X	575	2,107.00
118487	MXU125/MXU135	X		X	X	382	1,757.00
118482	MXU125/MXU135		X	X	X	425	1,757.00
CHALLENGER®							
118491	MT425B/MT445B/ MT455B/MT465B	X	X	X	X	487	1,757.00
DUETZ-ALLIS®							
118419	DX3.10/DX3.30/DX3.50/6 240/6250/6260	X	X	X		428	1,476.00
118420	DX3.70/DX3.90/ 6265/6275	X	X		X	258	1,476.00
118412	DX4.70/7085	X	X		X	241	1,476.00
FORD® & NEW HOLLAND®							
118434	3910/3930/4610/4630		X	X		225	1,476.00
118445	4830/5030	X	X		X	222	1,476.00
118474	4835/5635/6635/7635	X	X		X	521	1,757.00
118423	5600/5610/6600/6610 Series I	X	X		X	368	1,476.00
118423	5610/6610/7610 Series II	X		X		368	1,476.00
118424	5610/6610/7610 Series II	X	X		X	266	1,476.00
118424	5610S/6610S/7610S	X	X	X		266	1,476.00
118470	5640		X		X	333	1,757.00
118439	5640/6640/ 7740 S, SL, SLE	X			X	240	1,476.00
118423	5900	X		X		368	1,476.00
118423	6700/6710/7700/7710 Series I	X			X	368	1,476.00
118423	7600/7610 Series I	X	X		X	368	1,476.00
118436	7810 Series II	X			X	274	1,476.00
118486	TB100/TB110	X	X	X		382	1,757.00
118474	TL70/TL80/TL90/TL100		X		X	521	1,757.00
118489	TL80A/TL90A/TL100A		X	X	X	506	1,757.00
118480	TN60DA/TN60Z/ TN70A/TN70DA/ TN75A/TN75DA		X	X		404	1,476.00

Mount Kit Part No.	Tractor Brand / Model	Fits Tractor Type				Ship Wt. (lbs.)	Suggested List Price	
		2WD	4WD	ROPS	CAB			
FORD & NEW HOLLAND (Continued)								
118480	TN65/TN70/TN75		X	X		404	\$ 1,476.00	
118469	TS90/TS100/TS110	X	X		X	436	1,476.00	
118484	TS100A/TS110A	X	X	X	X	575	2,107.00	
118487	TS115A/TS125A/TS135A	X		X	X	382	1,757.00	
118482	TS115A/TS125A/TS135A		X	X	X	425	1,757.00	
HESSTON®								
118403	880-5		X	X		X	350	1,547.00
JOHN DEERE®								
118402	2350/2355/2550/2555	X	X	X		460	1,757.00	
118402	2510/2520	X		X		460	1,757.00	
118402	2750/2755/2950/2955	X	X	X	X	460	1,757.00	
118402	3010/3020/4000/4010/ 4020	X		X		460	1,757.00	
118496	5065M/5075M/5085M/ 5095M/5105M	X	X	X	X	240	1,476.00	
118460	5410/5420/5500/5510/ 5520		X	X		297	1,335.00	
118448	6200/6210/6215/6300/ 6310/6400/6410	X	X		X	261	1,335.00	
KUBOTA®								
118485	M105S	X	X	X	X	468	2,107.00	
118478	M110/M120	X	X		X	458	1,689.00	
118492	M125X		X		X	550	1,969.00	
118459	M7030SU		X	X		352	1,757.00	
MASSEY FERGUSON®								
118465	283		X	X		286	1,476.00	
118444	283 (SN "F" & Later)	X		X		284	1,476.00	
118457	375/390/390/398	X	X		X	240	1,476.00	
118457	383	X			X	240	1,476.00	
118457	393	X			X	240	1,476.00	
118446	396/399	X			X	398	1,476.00	
118494	492	X	X	X		483	1,997.00	
118467	4243/4245/4253/4255 (With "U" in SN)	X	X		X	380	1,757.00	
118468	4243/4245/4253/4255 (With "U" in SN)	X	X	X		400	1,757.00	
118473	4243/4245/4253/4255 (With "G" or later in SN)	X	X		X	403	1,757.00	
118491	5435/5445/5455/5460	X	X	X	X	487	1,757.00	
MCCORMICK®								
118435	C70/C80	X	X	X	X	280	1,335.00	
118488	CX75/CX85/CX95/CX105	X		X	X	586	2,318.00	
WHITE®								
118430	60/80	X	X	X		250	1,476.00	
ZETOR®								
118458	4340/6340 (Carraro® Front Axle)	X	X	X		357	1,757.00	
118456	4340/6340 (Zetor® Front Axle)	X	X	X		354	1,757.00	

Valve Kits – Loader Model LU215

Part No.	Description	Shipping Wt. (lbs.)	Suggested List Price
193122	Joystick Load Sense Valve Kit – 2 function – Case IH® Maxxum 5000 Series. Requires tractor power beyond kit. Includes all hoses, fitting and hardware necessary to mount.	86	\$ 2,066.00
193123	Joystick Load Sense Valve Kit – 3 function – Case IH Maxxum 5000 Series. Requires tractor power beyond kit. Includes all hoses, fittings and hardware necessary to mount.	110	2,951.00
1032695	Joystick Valve Kit – 2 function, 2750 psi relief – Direct Control, Parallel	60	1,193.00
1032700	Joystick Valve Kit – 2 function, 2750 psi relief – Cable Control, Parallel	60	1,604.00
1028722	Optional hydraulic self-level kit (maintains level position of bucket/attachment as loader is raised; no leveling as loader is lowered)	20	982.00

UTILITY SERIES LOADERS – HOSE KITS

SECTION 5

Hose Kits – Loader Model LU215

Part No.	Description	Shipping Wt. (lbs.)	Suggested List Price
44435	Hose Kit – (2) 138" hoses, connects valve to tractor, reference 118474/118481 mount kits	14	\$ 282.00
44436	Hose Kit – (4) 150" hoses, connects to tractor remotes	29	492.00
57923	Hose Kit – (4) 120" connects loader feedlines to tractor rear remote couplers	25	387.00
57924	Hose Kit – (4) 150" connects loader feedlines to tractor remote couplers	31	424.00
57988	Hose Kit – (4) 150" hoses, connects to tractor remote outlets	29	451.00
58025	Hose Kit – (4) 150" connects loader feedlines to tractor remote couplers	32	459.00
58029	Hose Kit – (2) 120" w/check valve, connects loader valve to tractor remote couplers	16	459.00
58083	Hose Kit – (4) 138" hoses, connects to tractor remote outlets, reference 118471 mount kit	28	529.00
58662	Hose Kit – (2) 138" hoses, connects valve to tractor	8	213.00
1000533	Hose Kit – Kubota® M110/M120, reference 118478 mount kit	20	319.00
1001220	Hose Kit – (2) 120" hoses, connects valve to tractor, reference 118424 mount kit	12	247.00
1002327	Hose Kit – Case IH, reference 118479 mount kit	25	387.00
1006369	Hose Kit – Power Beyond, Case IH & New Holland®, reference 118480 mount kit	20	811.00
1009024	Hose Kit – (4) 54" connects loader feedlines to tractor, for Case IH control valve, reference 118481 mount kit	10	424.00
1010397	Hose Kit – for CNH® mid-remotes, reference 118482/118487 mount kits	30	985.00
1010460	Hose Kit – (4) 76" hoses, to be used with OEM mid-remotes	16	470.00
1011100	Hose Kit – for Kubota M105S, reference 118485 mount kit	20	424.00
1011484	Hose Kit – for New Holland TB100/TB110, reference 118486 mount kit	28	529.00
1018146	Hose Kit – Massey Ferguson® 492, reference 118494 mount kit	TBD	345.00
1030124	Hose Kit – (4) 80" hoses connects to tractor mid-remotes, reference 118496 mount kit	25	387.00

Miscellaneous – Loader Model LU215

Part No.	Description	Shipping Wt. (lbs.)	Suggested List Price
199801	Stabilizer and Step Kit – Required when mounting John Deere® 2510/2520/3010/3020 tractors with mount kit 118402 (See Note 1.)	13	\$ 108.00
199802	Step Kit (See Note 1.)	5	44.00
1010400	Mount Bracket Kit – required for Ford® & New Holland® tractors that are not “Loader Ready” (See Note 14.)	163	464.00
1005093	Paint – Case of 12 Spray Cans – Red to match Case IH®	13	\$ 178.00
1005094	Paint – Case of 12 Spray Cans – Yellow to match Cub Cadet®	13	178.00
1005095	Paint – Case of 12 Spray Cans – Blue to match New Holland Vibrant Blue	13	178.00
1005096	Paint – Case of 12 Spray Cans – Blue to match New Holland Ford Blue	13	178.00
1005097	Paint – Case of 12 Spray Cans – Orange to match Kubota®	13	178.00
1005098	Paint – Case of 12 Spray Cans – Red to match Massey Ferguson®	13	178.00

UTILITY SERIES LOADERS – TRACTOR NOTES

SECTION 7

Tractor Notes – Loader Model LU215

1. Requires 199801 stabilizer kit and 199802 step kit.
2. Requires tractor be equipped with optional 14.1 GPM pump.
3. Requires tractor be equipped with front weight bracket.
4. Requires 13.6 x 28 and smaller front tires.
5. Standard tractor pump is not adequate for loader. Order auxiliary pump through Massey Ferguson.
6. Fits with factory saddle gas tank.
7. Fits 11.2-24 front tires and smaller.
8. For tractors equipped with Zetor® front axle (built prior to 1995).
9. For tractors equipped with Carraro® front axle (built 1995 or later).
10. Requires 12.4 x 24 and smaller front tires.
11. May require modification to fuel tank fill spout.
12. Does not fit with heavy-duty “I” beam front axle.
13. May use hose kit 1009024 to fit to Case IH mid-remote cable control valve.
14. Mount kit 118482 attaches to New Holland “Loader Ready” tractor brackets. If tractor is not “Loader Ready”, order required mounting bracket kit 1010400.
15. Not compatible with Case IH or New Holland “Loader Ready” tractor brackets.
16. Requires 14.9 x 28 and smaller front tires, and tread setting of 72”.
17. Does not fit tractors with Super Steer, or Orchard/Vineyard models.
18. Front wheel tread setting must be 72” or more.
19. Fits 14.9R24 or smaller tires. Oscillation stop included. Adjust steering stop, recommend 64.5” front wheel width.

LF138 Features and Specifications

FEATURES:

- Curved loader boom
- Midmount loader boom attachment
- Fast D-Tach loader
- Parking stands – stored on loader boom
- Rod bucket level indicator
- 4-bar bucket linkage
- Manual tube in the loader boom cross tube
- Optional “Euro” Quick Attachment Coupler System
- 2-year warranty



SPECIFICATIONS:

- Fits 70 – 110 hp tractors (2WD & FWA)
- Lift height: 138 inches
- Lift cylinders: 2.76 inches; Bucket cylinders: 2.76 inches
- Lift capacity at bucket pins: 4280 lbs.
- Lift capacity at 31.5 inches ahead of bucket pivot pins: 2940 lbs.
- Capacities rated at 2750 psi
- Breakout at bucket pins: 6410 lbs.
- Breakout at 31.5 inches ahead of bucket pivot pins: 4440 lbs.
- Maximum digging depth: 6 inches
- Dump angle: 50 degrees
- Roll back angle: 35 degrees
- Reach: 32 inches
- Pivot pins diameter: 1.25 inches

To Order a Complete Loader by Ordering Individual Components

- Find the tractor brand and model you are attempting to fit in the **Tractor/Loader Adaptability Chart**.
- Select the loader model you wish to price (each model belongs to a Loader Series, i.e., Farm Series).
- Go to the appropriate Loader Model **Component Order** tab.
- Find the tractor brand / model you are fitting in the **Tractor Reference** section – part numbers needed to configure a loader are listed (except loader frame and bucket).
- Order loader frame.
- Order front-end attachment(s).
- Order mounting kit.
- Order valve kit.
- Order hose kit OR 4-hose kit to connect to OEM remote valve.
- Order grill guard.

Be sure to refer to the “Notes” column; Tractor Notes are found at the end of each tabbed section in the Loader price pages. Prices for each component are listed in the appropriate component section. If you have any questions, please contact Woods® Dealer Services.

EXAMPLE:

When ordering a loader to fit a John Deere® tractor, model 4020 ROPS, do the following:

- The John Deere 4020 tractor is fit by several Woods loader models: Choose the LF138.
- Flip to the LF138 **Components** tab and go to the Tractor Reference Chart for components to order to complete the LF138 Loader.
 - Section 1** – Order the loader frame #2413801 (Green to match John Deere).
 - Section 2** – Order the bucket #2460084 (84” pin attachment bucket).
Note: If selecting a quick change system, order “Euro” Carriage System and buckets compatible with the “Euro” Carriage System. Other front end attachments may be ordered within this section.
 - Section 3** – Order the mounting kit #2400001.
 - Section 4** – Order the valve kit #1027726.
 - Section 5** – Order hose kit #1027733 OR the 4-hose kit #1027730.
 - Section 6** – Order grill guard #1027741.

FARM SERIES LOADERS – MODEL LF138 TRACTOR REFERENCE CHART

Tractor Brand / Model	Fits Tractor Type				Mount Kit	Hydraulic Package		OR	4-Hose Kit	Grill Guard	Tractor Notes
	2WD	4WD	ROPS	CAB		2-Spool Valve Kit	Hoses for Loader Valve		Connects to OEM Valve		
CASE IH®											
85U/95U/105U		X	X	X	2400005				1026415	1026470	1
966	X		X	X	2400004				1027730	1027744	
5120/5220	X			X	2400013	193122	included w/valve		1027730	1025364	
5130/5140/5230/5240	X	X		X	2400007	193122	included w/valve		1027730	1025364	
5250	X	X		X	2400007	193122	included w/valve		1027730	1025364	
JX1080U/JX1090U/JX1100U		X	X	X	2400005				1026415	1026470	1
Maxxum 110/110Pro/120Pro/130Pro	X	X	X	X	2400009				1027731	1027743	1, 2
Maxxum 115/125/125Pro	X	X	X	X	2400003				1027731	1027743	1, 2
MXU100/MXU110	X	X	X	X	2400009				1027731	1027743	1, 2
MXU115/MXU125	X	X	X	X	2400003				1027731	1027743	2, 3
FORD® & NEW HOLLAND®											
T5040/T5050/T5060/T5070		X	X	X	2400005				1026415	1026470	1
T6010/T6020/T6040/T6060, "Delta" or "Plus" only	X	X	X	X	2400009				1027731 (MR) 1027730 (RR)	1027743	1, 2, 5
T6030/T6050, "Delta" or "Plus" only	X	X	X	X	2400003				1027731	1027743	1, 2, 5
TL80A/TL90A/TL100A		X	X	X	2400005				1026415	1026470	1
TS100A/TS110A	X	X	X	X	2400009				1027731	1027743	1, 2, 5
TS115A/TS125A	X	X	X	X	2400003				1027731	1027743	2, 3, 5
JOHN DEERE®											
4000/4010/4020/4040/4230/4240/4250/4255/4320	X		X	X	2400001	1027725	1027734		1027730	1027741	4, 6
6230/6330/6430	X	X	X	X	2400014	N/A	N/A		1035283	1035295	7

Note: If listed, 4-hose kit for use with tractor remotes may be ordered instead of Woods valve and hose kit for loader valve.

Frames – Loader Model LF138

Part No.	Description	Shipping Wt. (lbs.)	Suggested List Price
2413800	Black (Universal)	1023	\$ 5,641.00
2413801	Green to match John Deere®	1023	5,641.00
2413802	Red to match Case IH®	1023	5,641.00
2413803	Blue to match Ford® & New Holland®	1023	5,641.00
2413804	Orange to match Kubota®	1023	5,641.00
2413805	Miscellaneous Color (Contact Dealer Service for Price and Availability)	1023	5,641.00
2413806	Red to match Massey Ferguson®	1023	5,641.00
2413807	Vibrant Blue to match New Holland	1023	5,641.00
2413811	Red to match McCormick®	1023	5,641.00
2413813	Orange to match Agco®	1023	5,641.00

FARM SERIES LOADERS – BUCKETS & ATTACHMENTS

SECTION 2

Buckets & Front End Attachments – Loader Model LF138

STANDARD BUCKET – PIN ATTACHMENT – Or choose Quick Attachment Coupler in sections below

Part No.	Width (in.)	Description	Capacity	Shipping Wt. (lbs.)	Suggested List Price	Qty. of 5 List Price *
2460084	84	Heavy-Duty Loader Bucket – Pin Attachment	28.7 cu. ft.	660	\$ 1,955.00	—

OPTIONAL “EURO” QUICK ATTACHMENT COUPLER SYSTEM – Order in place of Standard Bucket above

2450000		Quick Attachment Carriage Assembly – ISO 23206 “Euro”		123	\$ 911.00	—
---------	--	---	--	-----	-----------	---

OPTIONAL BUCKETS – Compatible with “Euro” Quick Attachment Coupler System

2470084	84	Heavy-Duty Loader Bucket – ISO 23206 “Euro” (not for grapple)	28.7 cu. ft.	690	\$ 1,749.00	—
2470084G	84	Heavy-Duty Loader Bucket – ISO 23206 “Euro” (with brackets for grapple)	28.7 cu. ft.	664	1,915.00	—
2470096	96	Heavy-Duty Loader Bucket – ISO 23206 “Euro” (with brackets for grapple)	33.0 cu. ft.	746	2,111.00	—

Note: Loader buckets are punched for optional Bolt-on Cutting Edges.

OPTIONAL BOLT-ON EDGES, TINE KITS AND TOOTHBAR

1014179K	84	Bolt-On Edge for 84” Bucket (2460084 & 2470084), includes hardware – Alitec Discounts Only		84	\$ 278.00	—
1019482K	96	Bolt-On Edge for 96” Bucket (2470096), includes hardware – Alitec Discounts Only		96	340.00	—
46381		Tine Kit (7) for Buckets, includes hardware (Must drill holes in bucket)		45	178.00	—
CETB840	84	Toothbar for 84” Bucket		84	534.00	—

OPTIONAL ATTACHMENTS AND GRAPPLE

1037797		BS3044E Single Bale Spear with two Stabilizer Spikes – Euro Quick Attach	3000 lbs.	TBD	\$ 710.00	\$ 639.00
1037798		BS6044E Double Bale Spear – Euro Quick Attach	6000 lbs.	TBD	860.00	774.00
1037799		BS7038E Triple Bale Spear – Euro Quick Attach	7000 lbs.	TBD	1,000.00	900.00
1038164		PF6648E Pallet Fork – ISO 23206 “Euro” Quick Attachment Coupler	6600 lbs.	507	1,626.00	1,463.00
1026500		BC20E Bale Clamp – ISO 23206 “Euro” Quick Attachment Coupler	2000 lbs.	663	4,036.00	—
2490000		GF5000 Grapple – Fits only Buckets 2470084G and 2470096 above (3rd Function Valve Kit sold separately.)		775	3,437.00	—
1028722		Hydraulic Self-Level Kit (Maintains level position of bucket/attachment as loader is raised. No leveling as loader is lowered.)		20	982.00	—

* Order 5 units in any combination of bale spears or any combination of pallet forks to receive an additional 10% discount.

OPTIONAL SUSPENSION SYSTEM **

1025399 *		SmoothRider™ Hydraulic Loader Suspension System – includes valve, hoses, fittings and mounting hardware		25	\$ 701.00	—
1025395 *		Accumulator		20	610.00	—

** Note that both part numbers must be ordered together for a complete system. The accumulator will be shipped separate from the rest of the kit.

Mounting Kits – Loader Model LF138

Mount Kit Part No.	Tractor Brand / Model	Fits Tractor Type				Ship Wt. (lbs.)	Suggested List Price
		2WD	4WD	ROPS	CAB		
CASE IH®							
2400005	85U/95U/105U		X	X	X	802	\$ 3,131.00
2400004	966	X		X	X	774	2,626.00
2400013	5120/5220	X			X	628	2,446.00
2400007	5130/5140/5230/5240	X	X		X	600	2,446.00
2400007	5250	X	X		X	600	2,446.00
2400005	JX1080U/JX1090U/ JX1100U		X	X	X	802	3,131.00
2400009	Maxxum 110/110Pro/ 120Pro/130Pro	X	X	X	X	750	3,211.00
2400003	Maxxum 115/125/125Pro	X	X	X	X	897	3,119.00
2400009	MXU100/MXU110	X	X	X	X	750	3,211.00
2400003	MXU115/MXU125	X	X	X	X	897	3,119.00

Mount Kit Part No.	Tractor Brand / Model	Fits Tractor Type				Ship Wt. (lbs.)	Suggested List Price
		2WD	4WD	ROPS	CAB		
FORD® & NEW HOLLAND®							
2400005	T5040/T5050/T5060/ T5070		X	X	X	802	\$ 3,131.00
2400009	T6010/T6020/T6040/ T6060, "Delta" or "Plus" only	X	X	X	X	750	3,211.00
2400003	T6030/T6050, "Delta" or "Plus" only	X	X	X	X	897	3,119.00
2400005	TL80A/TL90A/TL100A		X	X	X	802	3,131.00
2400009	TS100A/TS110A	X	X	X	X	750	3,211.00
2400003	TS115A/TS125A	X	X	X	X	897	3,119.00
JOHN DEERE®							
2400001	4000/4010/4020/4040/ 4230/4240/4250/4255/ 4320	X		X	X	633	2,626.00
2400014	6230/6330/6430	X	X	X	X	750	2,544.00

FARM SERIES LOADERS – LOADER VALVE KITS

SECTION 4

Valve Kits – Loader Model LF138

Part No.	Description	Shipping Wt. (lbs.)	Suggested List Price
193122	Joystick Valve Kit, (2 function) – Case IH Maxxum 5000 Series – Load Sensing, Cable Control. Requires tractor power beyond kit. Includes all hoses, fittings and hardware necessary to mount.	86	\$ 2,066.00
1027725	Joystick Valve Kit, (2 function) – Open Center, Cable Control, 2750 psi. Note: power beyond, or closed-center conversion parts are included with hose kits for specific tractors, below.	76	1,445.00
1027726	Joystick Valve Kit, (2 function) – Open Center, Direct Control, 2750 psi. Note: power beyond, or closed-center conversion parts are included with hose kits for specific tractors, below.	63	1,083.00
1026580	3rd Function Valve Kit – Electric Solenoid Control. Includes all hoses, cables, switch and hardware necessary to connect and mount. (Required for grapple and other hydraulic attachments.)	23	1,083.00
1028722	Optional hydraulic self-level kit (maintains level position of bucket/attachment as loader is raised; no leveling as loader is lowered)	20	982.00

FARM SERIES LOADERS – HOSE KITS

SECTION 5

Hose Kits – Loader Model LF138

Part No.	Description	Shipping Wt. (lbs.)	Suggested List Price
1026415	Hose Kit – 4 x 76", Case-IH U and JXU Series, New Holland T and TLA Series	16	\$ 539.00
1027730	Hose Kit – For rear tractor remote valves, 4 line (less quick couplers for tractor remotes)	33	435.00
1027731	Hose Kit – 4 x 30", 4 x 80", Case-IH MXU Series, New Holland T and TSA Series	24	544.00
1027733	Hose Kit – Closed center, John Deere 4000 Series with ROPS	8	219.00
1027734	Hose Kit – Closed center, John Deere 4000 Series with Cab	10	219.00
1035283	Hose Kit – 4 x 96", John Deere 6230/6330/6430	15	298.00

Grill Guards – Loader Model LF138

Part No.	Description	Shipping Wt. (lbs.)	Suggested List Price
1025364	Grill Guard – Case IH® 5120/5220/5130/5140/5230/5240/5250, reference 2400007 mount kit	49	\$ 301.00
1026470	Grill Guard – Case-IH U and JXU Series, New Holland® T and TLA Series, reference 2400005 mount kit	27	197.00
1027741	Grill Guard – John Deere® 4000 Series,, reference 2400001 mount kit	60	255.00
1027743	Grill Guard – Case IH MXU Series, New Holland T and TSA Series	36	255.00
1027744	Grill Guard – International/Case IH 766/966/786/886, reference 2400004 mount kit	60	252.00
1035295	Grill Guard – John Deere 6230/6330/6430, reference 2400014 mount kit	60	226.00

FARM SERIES LOADERS – MISCELLANEOUS

SECTION 7

Miscellaneous – Loader Model LF138

Part No.	Description	Shipping Wt. (lbs.)	Suggested List Price
1005093	Paint – Case of 12 Spray Cans – Red to match Case IH	13	\$ 178.00
1005095	Paint – Case of 12 Spray Cans – Blue to match New Holland Vibrant Blue	13	178.00
1005096	Paint – Case of 12 Spray Cans – Blue to match New Holland Ford® Blue	13	178.00
1005097	Paint – Case of 12 Spray Cans – Orange to match Kubota®	13	178.00
1005098	Paint – Case of 12 Spray Cans – Red to match Massey Ferguson®	13	178.00
1010400	Mounting Bracket Kit – Loader Ready Tractor Bracket (See Note 3.)	163	\$ 464.00

FARM SERIES LOADERS – TRACTOR NOTES

SECTION 8

Tractor Notes – Loader Model LF138

1. Mounting kit attaches to Case IH and New Holland “Loader Ready” tractor brackets.
2. Requires 14.9 x 28 and smaller front tires. Front tread setting of 72” recommended.
3. Mounting kit fits Case IH and New Holland “Loader Ready” tractor brackets. If tractor is not “Loader Ready”, order required Mounting Bracket Kit 1010400. Refer to Miscellaneous section for pricing.
4. Hose kit 1027733 fits 4010 and 4020 tractors S/N 200999 and before. For late 4000 and 4020 S/N 201000 and later, order hose kit 1027734 for use with John Deere auxiliary hydraulic kit AR71331.
5. Does not fit with Super Steer or Terra-Glide front axles.
6. Fits with factory cab, but may not fit with after-market cabs.
7. Tractor must be equipped with mid-mounted loader control valve.

LF156 Features and Specifications

FEATURES:

- Curved loader boom
- Midmount loader boom attachment
- Fast D-Tach loader
- Parking stands – stored on loader boom
- Rod bucket level indicator
- 4-bar bucket linkage
- Manual tube in the loader boom cross tube
- “Euro” Quick Attachment Coupler System standard
- 2-year warranty



SPECIFICATIONS:

- Fits 85 – 140 hp tractors (2WD & FWA)
- Lift height: 156 inches
- Lift cylinders: 2.95 inches; Bucket cylinders: 2.76 inches
- Lift capacity at bucket pins: 4850 lbs.
- Lift capacity at 31.5 inches ahead of bucket pivot pins: 3480 lbs.
- Capacities rated at 2750 psi
- Breakout at bucket pins: 7140 lbs.
- Breakout at 31.5 inches ahead of bucket pivot pins: 4990 lbs.
- Maximum digging depth: 6 inches
- Dump angle: 50 degrees
- Roll back angle: 35 degrees
- Reach: 36 inches
- Pivot pins diameter: 1.25 inches

To Order a Complete Loader by Ordering Individual Components

- Find the tractor brand and model you are attempting to fit in the **Tractor/Loader Adaptability Chart**.
- Select the loader model you wish to price (each model belongs to a Loader Series, i.e., Farm Series).
- Go to the appropriate Loader Model **Component Order** tab.
- Find the tractor brand / model you are fitting in the **Tractor Reference** section – part numbers needed to configure a loader are listed (except loader frame and bucket).
- Order loader frame.
- Order front-end attachment(s).
- Order mounting kit.
- Order valve kit.
- Order hose kit OR 4-hose kit to connect to OEM remote valve.
- Order grill guard.

Be sure to refer to the “Notes” column; Tractor Notes are found at the end of each tabbed section in the Loader price pages. Prices for each component are listed in the appropriate component section. If you have any questions, please contact Woods® Dealer Services.

EXAMPLE:

When ordering a loader to fit a John Deere® tractor, model 4020 ROPS, do the following:

1. The John Deere 4020 tractor is fit by several Woods loader models: Choose the LF156. (Reference the Tractor/Loader Adaptability Chart.)
2. Flip to the LF156 **Components** tab and go to the Tractor Reference Chart for components to order to complete the LF156 Loader.
 - a. **Section 1** – Order the loader frame #2415601 (Green to match John Deere).
 - b. **Section 2** – Order the bucket #2470084 (84” “Euro” attachment bucket).
 - c. **Section 3** – Order the mounting kit #2400001.
 - d. **Section 4** – Order the valve kit #1027726.
 - e. **Section 5** – Order hose kit #1027733 OR the 4-hose kit #1027730.
 - f. **Section 6** – Order grill guard #1027741.

FARM SERIES LOADERS – MODEL LF156 TRACTOR REFERENCE CHART

Tractor Brand / Model	Fits Tractor Type				Mount Kit	Hydraulic Package		OR	4-Hose Kit		Tractor Notes
	2WD	4WD	ROPS	CAB		2-Spool Valve Kit	Hoses for Loader Valve		Connects to OEM Valve	Grill Guard	
CASE IH®											
966/1066	X		X	X	2400004	1027725	1027797		1027730	1027744	
986/1086	X		X	X	2400004	1027725	1027797		1027730	1027744	3
Maxxum 115/125/125Pro/140Pro	X	X	X	X	2400003	N/A	N/A		1027731	1027743	1, 2
MXM120/MXM130/MXM140/MXM155	X	X		X	2400002	N/A	N/A		1025398	1025330	
MXU115/MXU125/MXU135	X	X	X	X	2400003	N/A	N/A		1027731	1027743	2, 4
FORD® & NEW HOLLAND®											
T6030/T6050/T6070/T6080, "Delta" or "Plus" only	X	X	X	X	2400003	N/A	N/A		1027731	1027743	1, 2, 6
TM120/TM130/TM140/TM155	X	X		X	2400002	N/A	N/A		1025398	1025330	6
TS115A/TS125A/TS135A	X	X	X	X	2400003	N/A	N/A		1027731	1027743	2, 4, 6
JOHN DEERE®											
4040/4230/4240/4430/4440	X	X	X	X	2400001	1027725	1027734		1027730	1027741	5, 8
4050/4250/4450	X	X	X	X	2400001	1027725	1027734		1027730	1027741	5, 8
4055/4255/4455	X	X	X	X	2400001	1027725	1027734		1027730	1027741	5, 8
4520/4555/4560/4620/4630/4640/4650/4730/4755/4830/4840/4850	X		X	X	2400001	1027725	1027734		1027730	1027741	5, 8
7600/7610/7700/7710/7800/7810	X	X		X	2400011	1027659	In valve kit		1027655	1027631	7

Note: If listed, 4-hose kit for use with tractor remotes may be ordered instead of Woods valve and hose kit for loader valve.

FARM SERIES LOADERS – LOADER FRAMES

SECTION 1

Frames – Loader Model LF156

Part No.	Description	Shipping Wt. (lbs.)	Suggested List Price
2415600	Black (Universal)	1350	\$ 7,872.00
2415601	Green to match John Deere®	1350	7,872.00
2415602	Red to match Case IH®	1350	7,872.00
2415603	Blue to match Ford® & New Holland®	1350	7,872.00
2415604	Orange to match Kubota®	1350	7,872.00
2415605	Miscellaneous Color (Contact Dealer Service for Price and Availability)	1350	7,872.00
2415606	Red to match Massey Ferguson®	1350	7,872.00
2415607	Vibrant Blue to match New Holland	1350	7,872.00
2415611	Red to match McCormick®	1350	7,872.00
2415613	Orange to match Agco®	1350	7,872.00

FARM SERIES LOADERS – BUCKETS & ATTACHMENTS

SECTION 2

Buckets & Front End Attachments – Loader Model LF156

STANDARD BUCKETS – Compatible with “Euro” Quick Attachment Coupler System

Part No.	Width (in.)	Description	Capacity	Shipping Wt. (lbs.)	Suggested List Price	Qty. of 5 List Price *
2470084	84	Heavy-Duty Loader Bucket – ISO 23206 “Euro” (not for grapple)	28.7 cu. ft.	690	\$ 1,749.00	—
2470084G	84	Heavy-Duty Loader Bucket – ISO 23206 “Euro” (with brackets for grapple)	28.7 cu. ft.	664	1,915.00	—
2470096	96	Heavy-Duty Loader Bucket – ISO 23206 “Euro” (with brackets for grapple)	33.0 cu. ft.	746	2,111.00	—

Note: Loader buckets are punched for optional Bolt-on Cutting Edges.

OPTIONAL BOLT-ON EDGES, TINE KITS AND TOOTHBAR

1014179K	84	Bolt-On Edge for 84” Bucket (2460084 & 2470084), includes hardware – Alitec Discounts Only	84	\$ 278.00	—
1019482K	96	Bolt-On Edge for 96” Bucket (2470096), includes hardware – Alitec Discounts Only	96	340.00	—
46381		Tine Kit (7) for Buckets, includes hardware (Must drill holes in bucket)	45	178.00	—
CETB840	84	Toothbar for 84” Bucket	84	534.00	—

OPTIONAL ATTACHMENTS AND GRAPPLE

1037797	BS3044E Single Bale Spear with two Stabilizer Spikes – Euro Quick Attach	3000 lbs.	TBD	\$ 710.00	\$ 639.00
1037798	BS6044E Double Bale Spear – Euro Quick Attach	6000 lbs.	TBD	860.00	774.00
1037799	BS7038E Triple Bale Spear – Euro Quick Attach	7000 lbs.	TBD	1,000.00	900.00
1038164	PF6648E Pallet Fork – ISO 23206 “Euro” Quick Attachment Coupler	6600 lbs.	507	1,626.00	1,463.00
1026686	PF6648E Visibility Kit – For 1027385, 1027385JD and 1027385AP		21	107.00	—
1026500	BC20E Bale Clamp – ISO 23206 “Euro” Quick Attachment Coupler	2000 lbs.	663	4,036.00	—
2490000	GF5000 Grapple – Fits only Buckets 2470084G and 2470096 above (3rd Function Valve Kit sold separately.)		775	3,437.00	—

* Order 5 units in any combination of bale spears or any combination of pallet forks to receive an additional 10% discount.

OPTIONAL SUSPENSION SYSTEM **

1025399 *	SmoothRider™ Hydraulic Loader Suspension System – includes valve, hoses, fittings and mounting hardware	25	\$ 701.00	—
1025395 *	Accumulator	20	610.00	—

** Note that both part numbers must be ordered together for a complete system. The accumulator will be shipped separate from the rest of the kit.

Mounting Kits – Loader Model LF156

Mount Kit Part No.	Tractor Brand / Model	Fits Tractor Type				Ship Wt. (lbs.)	Suggested List Price
		2WD	4WD	ROPS	CAB		
CASE IH®							
2400004	966/1066	X		X	X	774	\$ 2,626.00
2400004	986/1086	X		X	X	774	2,626.00
2400003	Maxxum 115/125/125Pro/140Pro	X	X	X	X	897	3,119.00
2400002	MXM120/MXM130/MXM140/MXM155	X	X		X	900	2,493.00
2400003	MXU115/MXU125/MXU135	X	X	X	X	897	3,119.00

Mount Kit Part No.	Tractor Brand / Model	Fits Tractor Type				Ship Wt. (lbs.)	Suggested List Price
		2WD	4WD	ROPS	CAB		
FORD® & NEW HOLLAND®							
2400003	T6030/T6050/T6070/T6080, "Delta" or "Plus" only	X	X	X	X	897	\$ 3,119.00
2400002	TM120/TM130/TM140/TM155	X	X		X	900	2,493.00
2400003	TS115A/TS125A/TS135A	X	X	X	X	897	3,119.00
JOHN DEERE®							
2400001	4040/4230/4240/4430/4440	X	X	X	X	633	2,626.00
2400001	4050/4250/4450	X	X	X	X	633	2,626.00
2400001	4055/4255/4455	X	X	X	X	633	2,626.00
2400001	4520/4555/4560/4620/4630/4640/4650/4730/4755/4830/4840/4850	X		X	X	633	2,626.00
2400011	7600/7610/7700/7710/7800/7810	X	X		X	618	2,626.00

FARM SERIES LOADERS – LOADER VALVE KITS

SECTION 4

Valve Kits – Loader Model LF156

Part No.	Description	Shipping Wt. (lbs.)	Suggested List Price
1027725	Joystick Valve Kit, (2 function) – Open Center, Cable Control, 2750 psi. Note: power beyond, or closed-center conversion parts are included with hose kits for specific tractors, below.	76	\$ 1,445.00
1027726	Joystick Valve Kit, (2 function) – Open Center, Direct Control, 2750 psi. Note: power beyond, or closed-center conversion parts are included with hose kits for specific tractors, below.	63	1,083.00
1026580	3rd Function Valve Kit – Electric Solenoid Control. Includes all hoses, cables, switch and hardware necessary to connect and mount. (Required for grapple and other hydraulic attachments.)	23	1,083.00
1027659	Cable Control Valve Kit, (2 function) – Closed Center, Load Sense, 3000 psi. Includes hose to tractor. Note: must order John Deere part #AL77030.	96	1,968.00
1028722	Optional hydraulic self-level kit (maintains level position of bucket/attachment as loader is raised; no leveling as loader is lowered)	20	982.00

FARM SERIES LOADERS – HOSE KITS

SECTION 5

Hose Kits – Loader Model LF156

Part No.	Description	Shipping Wt. (lbs.)	Suggested List Price
1025398	Hose Kit – 4 x 60", 4 x 110", Case-IH MXM Series, New Holland TM Series	34	\$ 470.00
1027655	Hose Kit – 4 x 60", 4 x 138", John Deere 7000 Series (less quick couplers for tractor remotes)	36	544.00
1027730	Hose Kit – 4 x 60", 4 x 110", For rear tractor remote valves, 4 line (less quick couplers for tractor remotes)	33	435.00
1027731	Hose Kit – 4 x 44", 4 x 60", Case-IH MXU Series, New Holland T and TSA Series	24	544.00
1027733	Hose Kit – Closed center, John Deere 4000 Series with ROPS	8	219.00
1027734	Hose Kit – Closed center, John Deere 4000 Series with Cab	10	219.00
1027797	Hose Kit – Closed center, Case-IH 966 – 1086	9	219.00

Grill Guards – Loader Model LF156

Part No.	Description	Shipping Wt. (lbs.)	Suggested List Price
1025330	Grill Guard – Case-IH® MXM Series, New Holland® TM Series, reference 2400002 mount kit	80	\$ 280.00
1027631	Grill Guard – John Deere® 7000 Series, reference 2400011 mount kit	65	280.00
1027741	Grill Guard – John Deere 4000 Series, reference 2400001 mount kit	60	255.00
1027743	Grill Guard – Case-IH MXU Series, New Holland T and TSA Series	36	255.00
1027744	Grill Guard – International/Case IH 766 – 1086, reference 2400004 mount kit	60	252.00

FARM SERIES LOADERS – MISCELLANEOUS

SECTION 7

Miscellaneous – Loader Model LF156

Part No.	Description	Shipping Wt. (lbs.)	Suggested List Price
1005093	Paint – Case of 12 Spray Cans – Red to match Case IH	13	\$ 178.00
1005095	Paint – Case of 12 Spray Cans – Blue to match New Holland Vibrant Blue	13	178.00
1005096	Paint – Case of 12 Spray Cans – Blue to match New Holland Ford Blue	13	178.00
1005097	Paint – Case of 12 Spray Cans – Orange to match Kubota®	13	178.00
1005098	Paint – Case of 12 Spray Cans – Red to match Massey Ferguson®	13	178.00
1010400	Mounting Bracket Kit – Loader Ready Tractor Bracket (See Note 4.)	163	\$ 464.00

FARM SERIES LOADERS – TRACTOR NOTES

SECTION 8

Tractor Notes – Loader Model LF156

1. Mounting kit attaches to Case IH and New Holland “Loader Ready” tractor brackets.
2. Requires 14.9 x 28 and smaller front tires. Front tread setting of 72” recommended.
3. Model 986 serial number 24,000 & later, and 1086 serial number 48,000 & later have closed-center hydraulics.
4. Mounting kit fits Case IH and New Holland “Loader Ready” tractor brackets. If tractor is not “Loader Ready”, order required Mounting Bracket Kit 1010400. Refer to Miscellaneous section for pricing.
5. Hose kit 1027734 can be used with John Deere auxiliary hydraulic kit AR71331, or with tractor rear remote valve.
6. Does not fit with Super Steer or Terra-Glide front axles.
7. Must order John Deere part #AL77030.
8. For tractors with ROPS, use 2-spool valve kit 1027726 and hose kit 1027733 (in place of 1027725 and 1027734).

LOADER ATTACHMENTS

The attachments in this section are designed to fit various models of front end loaders and skid steer loaders.

PF-Series General Purpose Free Swinging Pallet Forks – Full Height Frame

FEATURES:

- Designed for use on skid steer and compact tractor applications
- Free pivoting fork tine design
- Infinite fork spacing – no lock positions
- Hitch compatible to SAE J2513 universal quick-attach standards
- Optional step kit for right or left side entry
- Standard height back guard for improved load stability
- Painted Alitec™ Gray



Model No.	Part No.	Description	Fork Rating @ 24" From Fork Face (lbs.)	Fork Tine Size (in.)	Shipping Wt. (lbs.)	Suggested List Price	Qty. of 5 List Price *
PF2042S	1022532	Pallet Fork – General Purpose	2000	1.4 x 4 x 42	280	\$ 1,013.00	\$ 912.00

ACCESSORIES

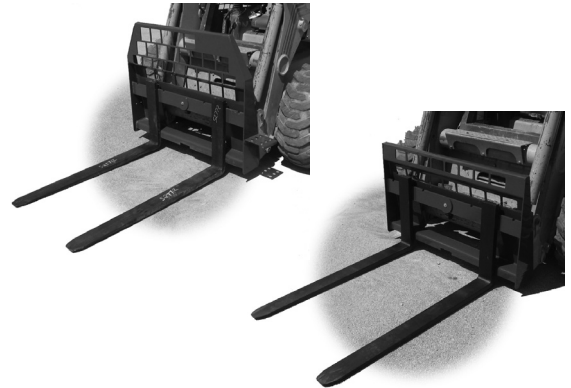
Part No.	Description	Qty.	Price
1019880	Foot Step Kit	3	\$ 42.00
1027925	Case 1800-Series Guide Kit	4	60.00

*

PF-Series Standard- and Heavy-Duty Pallet Forks – Full Height and Low-Guard Frame

FEATURES:

- Before use, host machine must comply with FOPS (Falling Object Protective Structure) requirements
- Designed for use on skid steer and compact tractor applications
- Double rail-type lockdown fork tines
- 16-3/8" to 40-3/8" fork tine spacing (6" increments)
- Hitch compatible to SAE J2513 universal quick-attach standards
- Integrated load point for tie-down and lifting purposes
- Full height frame models improve load stability while low-guard frame models improve fore-and-aft clearance
- Safety lock plate prevents fork tines from disengaging from frame
- Optional step kit for right or left side entry
- Painted Alitec Gray



Model No.	Part No.	Description	Fork Rating @ 19.7" From Fork Face (lbs.)	Fork Tine Size (in.)	Shipping Wt. (lbs.)	Suggested List Price	Qty. of 5 List Price *
PF4436S	1038172	Pallet Fork – Standard-Duty – Full Height	4400	1.4 x 4 x 36	394	\$ 1,079.00	\$ 971.00
PF4436SLG	1038166	Pallet Fork – Standard-Duty – Low-Guard	4400	1.4 x 4 x 36	347	1,122.00	1,010.00
PF4442S	1038173	Pallet Fork – Standard-Duty – Full Height	4400	1.4 x 4 x 42	409	1,110.00	999.00
PF4442SLG	1038167	Pallet Fork – Standard-Duty – Low-Guard	4400	1.4 x 4 x 42	378	1,162.00	1,046.00
PF4448S	1038174	Pallet Fork – Standard-Duty – Full Height	4400	1.4 x 4 x 48	428	1,129.00	1,016.00
PF4448SLG	1038168	Pallet Fork – Standard-Duty – Low-Guard	4400	1.4 x 4 x 48	392	1,172.00	1,055.00
PF6648S	1038163	Pallet Fork – Heavy-Duty – Full Height	6600	1.6 x 4 x 48	495	1,426.00	1,283.00
PF6648SLG	1038165	Pallet Fork – Heavy-Duty – Low-Guard	6600	1.6 x 4 x 48	476	1,464.00	1,318.00
PF6648E	1038164	Pallet Fork – Heavy-Duty – Full Height, ISO 23206	6600	1.6 x 4 x 48	507	1,626.00	1,463.00

*

ACCESSORIES

Part No.	Description	Qty.	Price
1019883	Foot Step Kit	4	\$ 34.00
1022017	Lift Clevis Kit	3	21.00

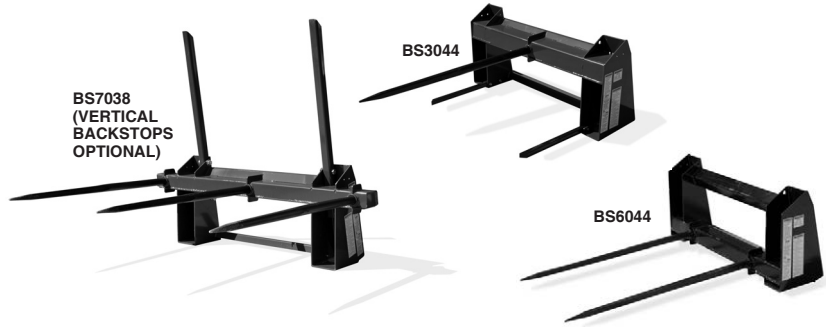
LOADER ATTACHMENTS

The attachments in this section are designed to fit various models of front end loaders and skid steer loaders.

Bale Spears for SAE J2513 Skid Steer and ISO 23206 Euro Quick Attach Systems

FEATURES:

- Maximum carry load: 3,000 – 7,000 lbs.
- 45mm diameter drop-forged steel spears
- Single and Double Bale Spears frame dimensions (width x height): 45" x 21"
- Triple Bale Spear frame dimensions (width x height): 59" x 21"
- High-strength steel plate frames
- Optional step kit (all models) and vertical backstops (BS7038 only)



FOR SAE J2513 SKID STEER QUICK ATTACH SYSTEMS

Model No.	Part No.	Description	Qty. of Spears	Max. Carry Load (lbs.)	Spear Usable Length (in.)	Shipping Wt. (lbs.)	Suggested List Price	Qty. of 5 List Price *
BS3044S	1037170	Single Bale Spear with two Stabilizer Spikes – Skid Steer Quick Attach	1	3000	44	198	\$ 690.00	\$ 621.00
BS6044S	1037171	Double Bale Spear – Skid Steer Quick Attach	2	6000	44	231	840.00	756.00
BS7038S	1037172	Triple Bale Spear – Skid Steer Quick Attach	3	7000	38	252	980.00	882.00

FOR ISO 23206 EURO QUICK ATTACH SYSTEMS

Model No.	Part No.	Description	Qty. of Spears	Max. Carry Load (lbs.)	Spear Usable Length (in.)	Shipping Wt. (lbs.)	Suggested List Price	Qty. of 5 List Price *
BS3044E	1037797	Single Bale Spear with two Stabilizer Spikes – Euro Quick Attach	1	3000	44	TBD	\$ 710.00	\$ 639.00
BS6044E	1037798	Double Bale Spear – Euro Quick Attach	2	6000	44	TBD	860.00	774.00
BS7038E	1037799	Triple Bale Spear – Euro Quick Attach	3	7000	38	TBD	1,000.00	900.00

ACCESSORIES

Part No.	Description	Shipping Wt. (lbs.)	Suggested List Price
1019883	Step Kit for Skid Steer Applications	4	\$ 34.00
1034624	Vertical Backstop Kit (BS7038 only)	38	120.00

Model BC20 Skid Steer Bale Clamp

FEATURES:

- Clamping force: 2,000 lbs
- Bale diameter range: 36 – 80 inches
- Hydraulic cylinder rating: 2,500 psi
- Compliant with skid steer quick-coupler interface (per SAE J2513) and “Euro” interface (per ISO 23206)
- Hydraulic hoses, cylinder and QD couplers (per ISO 16028) included
- Heavy-duty tubular frame construction
- Back stop prevents bale encroachment into operator zone



Model No.	Part No.	Description	Shipping Wt. (lbs.)	Suggested List Price
BC20S	1026700	Skid Steer Bale Clamp	663	\$ 3,147.00
BC20E	1026500	Bale Clamp – ISO 23206 “Euro” Quick Attach	663	4,036.00

LOADER ATTACHMENTS

The attachments in this section are designed to fit various models of front end loaders and skid steer loaders.

MF-Series Manure Forks with GF3000 Agricultural Grapple Fork Attachment

MANURE FORK FEATURES:

- Replaceable round teeth
- Various tooth spacing
- Sturdy, reinforced design for extra strength

GRAPPLE FEATURES:

- Attaches to MF6000, MF6600, & MF7200
- Fork opens to 35 inches for large agricultural handling jobs
- Pivot points may be lubricated for long life



Model No.	Part No.	Description	Width (in.)	Quantity Teeth	Optional* Add'l Teeth	Shipping Wt. (lbs.)	Suggested List Price
MF6000	52756	60" Manure Fork	60	8	7	349	\$ 2,070.00
MF6600	52757	66" Manure Fork	66	9	8	377	2,209.00
MF7200	52758	72" Manure Fork	72	10	9	410	2,351.00
GF3000	52753	Grapple Attachment	50	—	—	260	2,209.00

* Additional teeth can be ordered through WoodsCare™ parts.

HOSE KITS**

Part No.	Description	Quantity	Suggested List Price
54401	1/4" Hose – 4'	4	\$ 166.00
54402	1/4" Hose – 5'	5	179.00
54403	1/4" Hose – 6'	5	192.00

** Hose Kits do not include QD couplers.

NOTES: The MF6000, MF6600, and MF7200 Manure Forks are designed to accept our GF3000 Grapple Fork Attachment. Reference the Loader Valve section for 3rd function loader controls or the Miscellaneous Loader Accessories section (page LdrAttach7) for auxiliary valve kits.

Weld-On Mounting Brackets

FEATURES:

- Adapt attachments to fit with Woods® Spee-D-Change™ attachment carrier and skid steer loaders indicated



Part No.	Description	Shipping Wt. (lbs.)	Suggested List Price
131103	Attachment Back Plate – fits SAEJ2513 Universal Quick-Attach and Case 1835C/1838/1840/1845C	85	\$ 350.00
131111	Attachment Frame – fits Woods 110, 115, 195, 200/205/210, 215/255/260, 275, 305/310, 315/355/360 Spee-D-Change	58	289.00

The attachments in this section are designed to fit various models of front end loaders and skid steer loaders.

Heavy-Duty, Low-Profile Root Grapples

FEATURES:

Made with grade 80 steel – 2x stronger than mild steel – reducing the weight but maintaining the strength required for any skid steer or tractor application

Woods proprietary serrated cutting edge holds fast to trees and debris

Unique design allows smooth grading of surfaces after removing debris

Twin hydraulic cylinders allow for independent clamping on uneven material while cylinder placement improves visibility

Cylinder guards standard, protecting rods and hoses for longer life

Optional slat kit adds versatility by reducing tine spacing when application requires

Greasable Pivots
 Hydraulic hoses and QD couplers (per ISO standard 16028) included
 Ag Tractor Sizes: 45 – 100 hp (up to 10,000 lbs.)
 Length: 34"
 Height: 27"
 Grapple Opening: 37"
 Grapple Width: 19"
 Cylinder Bore: 2.76"
 Cylinder Rod: 1.38"
 Pivot Pins: 1.25"



Alitec Discounts Apply

Model No.	Part No.	Description	Width (in.)	No. of Tines x Spacing	Shipping Wt. (lbs.)	Suggested List Price
HLRG65	103517165	Root Grapple – Ag Loader Euro Coupler	65	10 x 6.75"	705	\$ 3,350.00
HLRG65	103484965	Root Grapple – Skid Steer Coupler	65	10 x 6.75"	705	3,350.00
HLRG72	103517172	Root Grapple – Ag Loader Euro Coupler	72	11 x 6.75"	725	3,550.00
HLRG72	103484972	Root Grapple – Skid Steer Coupler	72	11 x 6.75"	725	3,550.00
HLRG79	103517179	Root Grapple – Ag Loader Euro Coupler	79	12 x 6.75"	745	3,850.00
HLRG79	103484979	Root Grapple – Skid Steer Coupler	79	12 x 6.75"	745	3,850.00
HLRG86	103517186	Root Grapple – Ag Loader Euro Coupler	86	13 x 6.75"	765	4,150.00
HLRG86	103484986	Root Grapple – Skid Steer Coupler	86	13 x 6.75"	765	4,150.00

ACCESSORIES

Part No.	Description	Shipping Wt. (lbs.)	Suggested List Price
1034609	Slat Kit, HLRG65	82	\$ 304.00
1034610	Slat Kit, HLRG72	91	330.00
1034611	Slat Kit, HLRG79	100	357.00
1034612	Slat Kit, HLRG86	109	384.00
1034608	3,000 psi Relief Valve Kit	8	255.00
1038127	Bucket Step Kit	TBD	▲
1038128	End Plate Kit	TBD	143.00
1038129	88" Long Hose Kit	TBD	70.00

AUXILIARY VALVE KITS

Part No.	Description	Shipping Wt. (lbs.)	Suggested List Price
1036680	Auxiliary Valve Kit for Kubota LA764 Loaders on Kubota L4600 Tractors **	27	\$ 1,030.00
1036695	Auxiliary Valve Kit for CaseIH L530 Loaders on CaseIH Farmall 45A/55A Tractors and for New Holland 615TL Loaders on New Holland Workmaster 45/55 Tractors **	27	1,030.00

** May fit additional tractor models. Contact Woods Technical Services for assistance.

WOODS® ALITEC™ GRAPPLE BUCKETS

The attachments in this section are designed to fit various models of front end loaders and skid steer loaders.

Heavy-Duty, Low-Profile Scrap Grapples

FEATURES:

Made with grade 80 steel – 2x stronger than mild steel – reducing the weight but maintaining the strength required for any skid steer or tractor application

Single, beveled cutting edge with back-up bar

Twin hydraulic cylinders allow for independent clamping on uneven material while cylinder placement improves visibility

Cylinder guards standard, protecting rods and hoses for longer life

Optional bolt-on, double beveled edge and end plate extensions enhance versatility

Greasable Pivots

Hydraulic hoses and QD couplers (per ISO standard 16028) included

Ag Tractor Sizes: 45 – 100 hp (up to 10,000 lbs.)

Length: 35"

Height: 27"

Grapple Opening: 39"

Grapple Width: 19"

Cylinder Bore: 2.76"

Cylinder Rod: 1.38"

Pivot Pins: 1.25"



Alitec Discounts Apply

Model No.	Part No.	Description	Width (in.)	Heaped Capacity (cu. ft.)	Shipping Wt. (lbs.)	Suggested List Price
HLSG66	103517066	Scrap Grapple – Ag Loader Euro Coupler	66	15.1	818	\$ 3,250.00
HLSG66	103400066	Scrap Grapple – Skid Steer Coupler	66	15.1	818	3,250.00
HLSG73	103517073	Scrap Grapple – Ag Loader Euro Coupler	73	16.9	868	3,450.00
HLSG73	103400073	Scrap Grapple – Skid Steer Coupler	73	16.9	868	3,450.00
HLSG78	103517078	Scrap Grapple – Ag Loader Euro Coupler	78	18.1	918	3,750.00
HLSG78	103400078	Scrap Grapple – Skid Steer Coupler	78	18.1	918	3,750.00
HLSG84	103517084	Scrap Grapple – Ag Loader Euro Coupler	84	19.5	968	4,050.00
HLSG84	103400084	Scrap Grapple – Skid Steer Coupler	84	19.5	968	4,050.00

ACCESSORIES

Part No.	Description	Shipping Wt. (lbs.)	Suggested List Price
1014176K	66" Bolt-on Cutting Edge Kit	67	\$ 210.00
1014177K	73" Bolt-on Cutting Edge Kit	74	227.00
1014178K	78" Bolt-on Cutting Edge Kit	79	245.00
1014179K	84" Bolt-on Cutting Edge Kit	84	278.00
1034606	End Plate Extension Kit	33	138.00
1034608	3,000 psi Relief Valve Kit	8	255.00
1038127	Bucket Step Kit	TBD	▲
1038129	88" Long Hose Kit	TBD	70.00

AUXILIARY VALVE KITS

Part No.	Description	Shipping Wt. (lbs.)	Suggested List Price
1036680	Auxiliary Valve Kit for Kubota LA764 Loaders on Kubota L4600 Tractors **	27	\$ 1,030.00
1036695	Auxiliary Valve Kit for CaseIH L530 Loaders on CaseIH Farmall 45A/55A Tractors and for New Holland 615TL Loaders on New Holland Workmaster 45/55 Tractors **	27	1,030.00

** May fit additional tractor models. Contact Woods Technical Services for assistance.

JOHN DEERE® LOADER ATTACHMENTS

The attachments in this section are designed to fit John Deere front end loaders and skid steer loaders.

Optional Buckets for John Deere Style Quick Attach System

FEATURES:

Commercial grade bucket

Round-back bucket allows easy and even material flow into and out of bucket

High strength steel used throughout provides resistance to permanent deformation and increases wear resistance

Cast upper hook with a shaped reinforcement plate, which reduces point stresses and potential failure points

Fully welded inner reinforcement for strength and clean back surface for coupler mating

Fully welded compression bars

Three bend top lip design for increased stiffness

Part No.	Description	John Deere Loader Model	Width (in.)	Capacity (cu. ft.)	Shipping Wt. (lbs.)	Suggested List Price
1033848	Bucket – John Deere Quick Attach	200X, 200CX	48	7.4	162	\$ 668.00
1033854	Bucket – John Deere Quick Attach	200X, 200CX	54	8.4	177	774.00
1033860	Bucket – John Deere Quick Attach	305, 300X, 300CX	60	9.4	256	950.00
1033866	Bucket – John Deere Quick Attach	305, 300X, 300CX	66	10.4	273	1,020.00
1033872	Bucket – John Deere Quick Attach	400X, 400CX	72	14.0	298	1,092.00
1033878	Bucket – John Deere Quick Attach	400X, 400CX	78	15.2	409	1,211.00
1034272	Bucket – John Deere Quick Attach	512, 563	72	17.7	348	1,187.00
1033884	Bucket – John Deere Quick Attach	512, 563	84	20.8	492	1,332.00
2370172	Bucket – Skid Steer Quick Attach	H260	72	17.7	377	1,301.00
2370184	Bucket – Skid Steer Quick Attach	H260	84	20.8	420	1,406.00

OPTIONAL BUCKET ACCESSORIES

Description	Bolt-On Edge Part No.	Bolt-On Edge Sugg. List Price	Toothbar Part No.	Toothbar Sugg. List Price
1033848 Bucket – John Deere Quick Attach	N/A	—	N/A	—
1033854 Bucket – John Deere Quick Attach	N/A	—	N/A	—
1033860 Bucket – John Deere Quick Attach	46382	\$ 142.00	CETB595	\$ 466.00
1033866 Bucket – John Deere Quick Attach	46383	163.00	CETB655	499.00
1033872 Bucket – John Deere Quick Attach	46384	186.00	CETB715	499.00
1033878 Bucket – John Deere Quick Attach	1033818	271.00	CETB775	534.00
1034272 Bucket – John Deere Quick Attach	46384	186.00	CETB775	534.00
1033884 Bucket – John Deere Quick Attach	46385	213.00	CETB835	534.00
2370172 Bucket – Skid Steer Quick Attach	46384	186.00	CETB715	499.00
2370184 Bucket – Skid Steer Quick Attach	46385	213.00	CETB835	534.00

John Deere Quick Attach Pallet Forks – PF-Series Standard- and Heavy-Duty – Full Height Frame

FEATURES:

Designed for use on John Deere agricultural loaders

Double rail-type lockdown fork tines

16-3/8" to 40-3/8" fork tine spacing (6" increments)

Hitch compatible to John Deere 200/300/400/500 series loaders

Integrated load point for tie-down and lifting purposes

Full height frame improves load stability

Safety lock plate prevents fork tines from disengaging from frame

Painted green to match John Deere



Model No.	Part No.	Description	Fork Rating @ 19.7" From Fork Face (lbs.)	Fork Tine Size (in.)	Shipping Wt. (lbs.)	Suggested List Price	Qty. of 5 List Price *
PF4442JD	1038169	Dura Fork – Standard-duty – Full Height	4400	1.4 x 3.9 x 42	392	\$ 1,122.00	\$ 1,010.00
PF4448JD	1038171	Dura Fork – Standard-duty – Full Height	4400	1.4 x 3.9 x 48	403	1,141.00	1,027.00
PF6648EJD	1038164JD	Dura Fork – Heavy-duty – Full Height	6600	1.6 x 3.9 x 48	507	1,626.00	1,463.00

*

ACCESSORIES

Part No.	Description	Shipping Wt. (lbs.)	Suggested List Price
1022017	Lift Clevis Kit	3	\$ 21.00

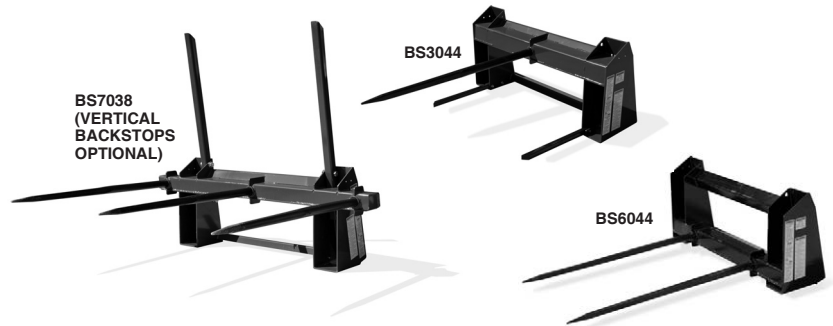
JOHN DEERE® LOADER ATTACHMENTS (Continued)

The attachments in this section are designed to fit John Deere front end loaders and skid steer loaders.

Bale Spears for John Deere 300/400/500 Series Loaders Quick Attach Systems

FEATURES:

- Maximum carry load: 3,000 – 7,000 lbs.
- 45mm diameter drop-forged steel spears
- Single and Double Bale Spears frame dimensions (width x height): 45" x 21"
- Triple Bale Spear frame dimensions (width x height): 59" x 21"
- High-strength steel plate frames
- Optional vertical backstops (BS7038 only)



Model No.	Part No.	Description	Qty. of Spears	Max. Carry Load (lbs.)	Spear Usable Length (in.)	Shipping Wt. (lbs.)	Suggested List Price	Qty. of 5 List Price *
BS3044JD	1037781	Single Bale Spear with two Stabilizer Spikes – John Deere Quick Attach	1	3000	44	TBD	\$ 700.00	\$ 630.00
BS6044JD	1037782	Double Bale Spear – John Deere Quick Attach	2	6000	44	TBD	850.00	765.00
BS7038JD	1037783	Triple Bale Spear – John Deere Quick Attach	3	7000	38	TBD	990.00	891.00

*

ACCESSORIES

Part No.	Description	Shipping Wt. (lbs.)	Suggested List Price
1034624	Vertical Backstop Kit (BS7038 only)	38	\$ 120.00

KUBOTA® LOADER ATTACHMENTS

The attachments in this section are designed to fit Kubota front end loaders and skid steer loaders.

Optional Buckets for Kubota Style Quick Attach System

FEATURES:

- Commercial grade bucket
- Round-back bucket allows easy and even material flow into and out of bucket
- High strength steel used throughout provides resistance to permanent deformation and increases wear resistance
- Fully welded inner reinforcement and compression bars for increased strength

Part No.	Description	Kubota Loader Model	Width (in.)	Capacity (cu. ft.)	Shipping Wt. (lbs.)	Suggested List Price
1007324	Bucket – Kubota Skid Steer Quick Attach	LA514, LA724	66	12.1	263	\$ 1,056.00
1007323	Bucket – Kubota Skid Steer Quick Attach	LA844, LA852-2	72	17.1	390	1,195.00
1007312	Bucket – Kubota Skid Steer Quick Attach with BOE (#46384)	LA852-2, LA844	72	17.1	445	1,372.00

Note: Must be ordered in quantities of 6.

MISCELLANEOUS LOADER ACCESSORIES

Part No.	Description	Shipping Wt. (lbs.)	Suggested List Price
1036680	Auxiliary Valve Kit for Kubota LA764 Loaders on Kubota L4600 Tractors **	27	\$ 1,030.00
1036695	Auxiliary Valve Kit for CaseIH L530 Loaders on CaseIH Farmall 45A/55A Tractors and for New Holland 615TL Loaders on New Holland Workmaster 45/55 Tractors **	27	1,030.00

** May fit additional tractor models. Contact Woods Technical Services for assistance.

TABLE OF CONTENTS

Tractor/Backhoe Adaptability Chart	BH2 – BH3
Groundbreaker-X™	BH4 – BH36
BH6000	BH4 – BH7
BH70-X	BH8 – BH18
BH80-X	BH19 – BH28
BH90-X	BH29 – BH36

TRACTOR/BACKHOE ADAPTABILITY CHART

This chart is only to be used as a guide. For detailed information, refer to the Backhoe section indicated.

NOTE: Contact your Woods® representative for new series tractor mountings when not listed or Woods Equipment Company, Oregon Illinois, 1-800-319-6637 or go to dealer.woodsequipment.com.

Tractor Model	Backhoe Adaptation				Tractor Model	Backhoe Adaptation			
	BH6000	BH70-X	BH80-X	BH90-X		BH6000	BH70-X	BH80-X	BH90-X
AGCO®					FORD & NEW HOLLAND (Continued)				
GT45A/GT55A/GT65A/GT75A				X	T2210/T2220		X	X	
ST22A	X				T2310/T2320/T2330		X	X	X
ST28A/ST33A		X	X		T2410/T2420		X	X	X
ST34A/ST41A		X	X	X	TC18/TC21 (Prior to SN UF33357)		X		
ST35/ST40		X	X	X	TC18/TC21 (SN UF33357 & Later)/TC21A/TC24/TC24D		X		
ST47A/ST52A				X	TC21DA/TC23DA/TC24DA/TC26DA	X	X		
BRANSON®					TC25/TC29/TC29D/TC30/TC33/TC33D		X	X	
2910/3510		X	X		TC29DA/TC33DA		X	X	
3820/4220/4720		X	X	X	TC31DA/TC34DA		X	X	
CASE IH®					TC35/TC35A/TC35D/TC35DA		X	X	X
D35/DX35/D40/DX40/D45/DX45		X	X	X	TC40/TC40A/TC40D/TC40DA		X	X	X
DX18E/DX22E/DX24E/DX25E	X				TC45/TC45A/TC45D/TC45DA		X	X	X
DX21/DX23/DX24/DX26	X	X			TC48DA/TC55DA		X	X	X
DX29/D33/DX33		X	X		TT45A/TT50A				X
DX31/DX34		X	X		TT60A/TT75A				X
DX48/DX55		X	X	X	TZ18DA/TZ22DA/TZ24DA/TZ25DA	X			
Farmall 30B/35B, Farmall 31/35		X	X		Workmaster 45/55		X	X	X
Farmall 40/45/50, Farmall 40B/50B		X	X	X	Workmaster 65/75				X
Farmall 45A/55A		X	X	X	JOHN DEERE®				
Farmall 55/60		X	X	X	750/790		X	X	
Farmall 65A/75A		X	X	X	850/950/1050		X	X	
CHALLENGER®					855/955		X	X	
MT255B		X	X		870		X	X	
MT265B/MT275B		X	X	X	970/1070		X	X	X
MT285B/MT295B				X	990		X	X	X
CUB CADET®					2210	X			
5234D/5252/5254	X				2305	X			
7000/7192/7194/7195/7200/7205	X	X			2320/2520/2720	X			
7252/7254/7264/7284/7304	X				3005		X	X	
7260/7265/7274/7275/7300/7305		X	X		3032E/3038E		X		
7360		X	X		3120/3320/3520/3720		X	X	
7530/7532		X	X		3203		X	X	
8354		X	X		4110/4115	X			
8404/8454		X	X		4120/4320/4520/4720		X	X	X
8454SS		X	X	X	4200/4300/4400		X	X	
CUB CADET/YANMAR®					4210/4310/4410		X	X	
EX2900/EX3200		X	X		4500/4600/4700		X	X	X
SC2400	X				4510/4610/4710				X
FORD® & NEW HOLLAND®					5065E/5075E				X
1310/1510/1710		X	X		5103/5203/5303				X
1320/1520/1620/1715		X	X		5105/5205				X
1530/1630/1725/1925		X	X		5200/5300/5400/5500				X
1720		X	X		5210/5310/5410/5510				X
1910		X	X		5225/5325/5425/5525				X
1920		X	X	X	KIOTI®				
2120/3415				X	CK20/CK20HST	X	X		
Boomer 8N		X	X	X	CK25/CK30/CK35		X	X	
Boomer 20/25	X				DK35/DK40/DK45/DK50/DK55		X	X	X
Boomer 30/35		X	X		DK35SE		X	X	
Boomer 40/50		X	X	X	DK40SE/DK45SE/DK50SE		X	X	X
Boomer 3040/3045/3050		X	X	X	DK45S		X	X	X
T1010/T1030/T1110	X				DK65S				X
T1510/T1520		X	X		LK3054		X	X	
T1530		X	X	X					

TRACTOR/BACKHOE ADAPTABILITY CHART

Tractor Model	Backhoe Adaptation				Tractor Model	Backhoe Adaptation			
	BH6000	BH70-X	BH80-X	BH90-X		BH6000	BH70-X	BH80-X	BH90-X
KUBOTA®					KUBOTA (Continued)				
B1550/B1750		X			M5040/M5140/M6040/M7040				X
B1700/B2100/B2400		X			M5140				X
B2150		X			M6800S (Updated Models)				X
B2320/B2620/B2920	X	X			M8200/M9000				X
B2400	X				M8540/M9540				X
B2410	X	X			MX5000		X	X	X
B2630/B3030	X	X	X		MX5100		X	X	X
B2710/B2910	X	X	X		LONG®				
B3000		X	X		280/360		X	X	
B3200/B3300SU	X	X	X		MAHINDRA®				
B6100HST/B6200HST/ B7100HST/B7200HST		X			2015	X	X		
B7300 HSD		X			2310/2810		X		
B7400/B7500		X			2415/2516	X	X		
B7410/B7510/B7610	X	X			2615/3015		X	X	
B7800	X	X	X		2810HST/3510HST		X	X	
B8200		X			2815/3215		X	X	
BX1800/BX1830/BX1860/ BX2200/BX2230	X				3510/4110		X	X	X
BX1850/BX2350/BX2360/BX2660	X				3525		X	X	
L2050/L2350/L2500		X	X		4500		X	X	X
L2250		X			5500/6000/6500				X
L2550/L2650/L2850/L2950		X	X		MASSEY FERGUSON®				
L2600/L3000		X	X		1160/1165/1180/1190				X
L2800/L3400		X	X		1240		X	X	
L2900/L3300/L3010/L3410		X	X	X	1250/1260		X	X	
L3130/L3430/L3830		X	X	X	1428V		X	X	
L3130HST/L3430HST/L3830HST		X	X		1429		X	X	
L3200/L3800		X	X		1433/1433V/1440/1440V		X	X	X
L3240/L3540		X	X	X	1528/1531		X	X	
L3430		X	X	X	1529/1532	X	X		
L3600/L4200/L3710/L4310		X	X	X	1533/1540		X	X	X
L3700SU		X	X		1547/1552				X
L3940		X	X	X	1635/1643		X	X	X
L3940-3/L4240-3/L4740-3		X	X	X	GC2300/GC2400/GC2600	X			
L4240/L4740		X	X	X	McCORMICK®				
L4300		X	X	X	GX40/GX45	X	X		
L4330/L4630		X	X	X	X10.25	X	X		
L4350/L4850/L5450				X	X10.30/X10.35		X	X	
L4400		X	X	X	X10.40/X10.50/X10.55		X	X	X
L4600		X	X	X	MONTANA®				
L4610		X	X	X	2740/3240		X	X	
L5030		X	X	X	TYM®				
L5040/L5240/L5740		X	X	X	T330		X		
M4700/M5400				X	T330HST		X	X	
M4800/M4800SU/M4900/M4900SU/ M5700				X	YANMAR®				
					220/226/276/336		X	X	

New Mounting Release Update

BACKHOE – TRACTOR MOUNTED

6-foot – BH6000 Groundbreaker-X™

FEATURES:

- For subcompact and compact tractors, 14 - 30 PTO hp
- Woods' unique easy on/easy off 4-point mounting – **EXCLUSIVE FEATURE** no tools required
- Available mechanical thumb **EXCLUSIVE FEATURE**
- Available 3-point hitch mounting
- Construction grade Gannon® buckets **EXCLUSIVE FEATURE**
- Better visibility and less repositioning with excavator-style curved boom
- "Box section" design adds strength without weight, for more lifting power
- Over 6-foot digging depth
- 2-year warranty



Specifications:

	With 9" Bucket	With 12" & 16" Bucket
Digging Depth (2-foot flat bottom)	74 inches	72.5 inches
Swing Arc	150 degrees	150 degrees
Bucket Rotation	180 degrees	180 degrees
Loading Height	54 inches	54.5 inches
Loading Reach	33.5 inches	35.5 inches
Transport Height	60 inches	60 inches
Reach from Swing Pivot	98 inches	96.3 inches
Dipperstick Digging Force	1150 lbs.	1180 lbs.
Bucket Digging Force	2025 lbs.	2200 lbs.
Rated Pressure	1780 psi	1780 psi

WARNING

To avoid hitch failure and possible operator injury, before mounting the BH6000 backhoe to the tractor 3-point hitch, verify that the hitch meets ASAE Category 1 standards. Also observe the maximum and minimum hitch dimensions described in the safety and assembly sections of the Operator's Manuals. Woods® makes no warranty, implied or otherwise, concerning the structural integrity of any tractor's 3-point hitch or tractor frame housing assembly. Sub-frame kits shown on the price list are required for all tractors listed, unless otherwise noted. If tractor is not equipped with front end loader, front end ballast is required for safety and stability.

Standard Features Included in Base Price

Tractor color option

BH6000-X - BASE UNIT (WITHOUT THUMB)

Part No.	Description	Shipping Wt. (lbs.)	Suggested List Price
1008435	Orange to match Kubota®/Kioti®	635	\$ 7,001.00
1008436	Red to match Case IH®	635	7,001.00
1008437	Green to match John Deere®	635	7,001.00
1008438	Red to match Massey Ferguson®	635	7,001.00
1008439	Vibrant blue to match New Holland®	635	7,001.00
1008440	Yellow to match Cub Cadet®	635	7,001.00
1008441	Red to match Mahindra®	635	7,001.00
1008442	Universal Black	635	7,001.00
1008443	Red to match Branson®	635	7,001.00
1008444	Woods® Burnt Orange	635	7,001.00

BH6000-X WITH FACTORY-INSTALLED MECHANICAL THUMB *

Part No.	Description	Shipping Wt. (lbs.)	Suggested List Price
1008435T	Orange to match Kubota/Kioti w/Thumb	635	\$ 7,495.00
1008436T	Red to match Case IH w/Thumb	635	7,495.00
1008437T	Green to match John Deere w/Thumb	635	7,495.00
1008438T	Red to match Massey Ferguson w/Thumb	635	7,495.00
1008439T	Vibrant blue to match NH w/Thumb	635	7,495.00
1008440T	Yellow to match Cub Cadet w/Thumb	635	7,495.00
1008441T	Red to match Mahindra w/Thumb	635	7,495.00
1008442T	Universal Black w/Thumb	635	7,495.00
1008443T	Red to match Branson w/Thumb	635	7,495.00
1008444T	Woods Burnt Orange w/Thumb	635	7,495.00

* Fits with 12" bucket.

HEAVY-DUTY GANNON BUCKETS

Part No.	Description	Bucket Capacity (cu. ft.)	Shipping Wt. (lbs.)	Suggested List Price
1008368	9" Bucket – High-capacity trenching	0.77	68	\$ 456.00
1008312	12" Bucket – All-purpose trenching/excavating	0.90	59	493.00
1008316	16" Bucket – Maximum-capacity trenching/excavating	1.31	73	540.00

BACKHOE – TRACTOR MOUNTED 6-foot – BH6000 Groundbreaker-X™ (Continued)

MOUNTING KITS (Some tractors require a backhoe sub-frame as noted below and on the following pages.)

BH6000 BACKHOE REQUIRED TRACTOR SUB-FRAME ORDER REFERENCE LIST

Tractor Model	Fits Tractor Types				Mount Type	Part No.	Suggested List Price	Hose Kit for Tractor Hydraulics	Hose Kit for Tractor Remotes	OEM Loader Compatible	OEM Mid-Mower Compatible	Woods Loader Compat.	Ship Wt. (lbs.)	Notes
	2WD	FWA	ROPS	CAB										
AGCO®														
ST22A		X			4-pt.	1009468	\$ 1,542.00	INCL.	N/A	LS40A	SM54A, SM59A	LS72, 1005	190	1, 13
CASE IH®														
DX18E/DX22E/ DX24E/DX25E		X	X		4-pt.	1006435	1,753.00	INCL.	N/A	LX110	MWX154S, MWX160S	LS72, 1005	199	1, 2, 4
DX21/DX23/ DX24/DX26		X	X		4-pt.	1013301	1,542.00	1014369	N/A	LX112	N/A	LS84, 1006	354	1, 3, 4
CUB CADET®														
5234D/5252/5254		X	X		4-pt.	1010611	1,401.00	INCL.	N/A	812	60"	LS72, 1005	196	1, 3, 4
7000/7192/7194/ 7195/7200/7205		X	X		4-pt.	1012861	1,401.00	INCL.	N/A	475	BSMM1560, Woods C360	LS84, 1006	310	1, 3
7252/7254/7264/ 7284/7304		X	X		4-pt.	1013140	1,401.00	INCL.	N/A	610	54", 60"	LS84, 1006	249	1, 3, 4, 7, 8
CUB CADET/YANMAR®														
SC2400		X	X		4-pt.	1029400	1,529.00	INCL.	N/A	CL100	MM60RSE	LS72	135	1, 10, 15
FORD® & NEW HOLLAND®														
Boomer 20/25		X	X		4-pt.	1035275	1,696.00	INCL.	N/A	235TLA	N/A	N/A	250	1
T1010/T1030/T1110		X	X		4-pt.	1006435	1,753.00	INCL.	N/A	10LA, 210TL	60CMS, 230GM	LS72	199	1, 2, 4
TC21DA/TC23DA/ TC24DA/TC26DA		X	X		4-pt.	1013301	1,542.00	1014369	N/A	12LA	N/A	LS84, 1006, 1008	354	1, 3, 4
TZ18DA/TZ22DA/ TZ24DA/TZ25DA		X	X		4-pt.	1006435	1,753.00	INCL.	N/A	10LA	54CMS, 60CMS	LS72, 1005	199	1, 2, 4
JOHN DEERE®														
2210		X	X		4-pt.	1009600	1,753.00	INCL.	N/A	200CX, 210	54C, 62C	LS72, 1005	210	1, 3, 4
2305		X	X		4-pt.	1016540	1,542.00	INCL.	N/A	200X, 200CX	54C, 62C	LS72, 1005	198	1, 2, 4, 9
2320		X	X		4-pt.	1025200	1,971.00	INCL.	N/A	200CX	62", 72"	LS72	225	1, 9, 11, 14
2520/2720		X	X		4-pt.	1019650	1,583.00	INCL.	N/A	200CX	62", 72"	1006	232	1, 9, 11, 12
4110/4115	X	X	X		4-pt.	1014475	1,681.00	INCL.	N/A	410	60"	LS84, 1006	240	1, 3, 4, 5, 6, 11
KIOTI®														
CK20/CK20HST		X	X		4-pt.	1011500	1,753.00	INCL.	N/A	KL120	KMR03-60MM, KMR03-60SD	LS84, 1006	200	1, 3
KUBOTA®														
B2320/B2620/B2920		X	X		4-pt.	1028651	1,775.00	INCL.	N/A	LA304, LA364	RCK54-29B, RCK60-29B	LS72, LS84	285	1
B2400/B2410/ B7410/B7510/B7610	X	X	X		4-pt.	1010613	1,401.00	INCL.	N/A	LA272FL-1, LA302FL-1, LA352FL-1	RCK54, RCK60	LS84, 1006	292	1, 3, 4
B2630/B3030		X	X		4-pt.	1014300	1,753.00	INCL.	N/A	LA403	RCK60-30B	LS84, 1006, 1008	288	1, 16

Reference list continued on following page.
See NOTES on page BH7.

BACKHOE – TRACTOR MOUNTED

6-foot – BH6000 Groundbreaker-X™ (Continued)

BH6000 BACKHOE REQUIRED TRACTOR SUB-FRAME ORDER REFERENCE LIST (Continued)

Tractor Model	Fits Tractor Types				Mount Type	Part No.	Suggested List Price	Hose Kit for Tractor Hydraulics	Hose Kit for Tractor Remotes	OEM Loader Compatible	OEM Mid-Mower Compatible	Woods Loader Compat.	Ship Wt. (lbs.)	Notes
	2WD	FWA	ROPS	CAB										
KUBOTA® (Continued)														
B2630/B3030		X		X	4-pt.	1016330	\$ 1,753.00	INCL.	N/A	LA403	RCK60-30B	LS84, 1006, 1008	285	1, 16
B2710/B2910/B7800	X	X	X		4-pt.	1010615	1,753.00	INCL.	N/A	LA402-1	RCK60, RCK72	LS84, 1006, 1008	367	1, 3, 4
B3200		X	X		4-pt.	1031726	1,753.00	INCL.	N/A	LA504	RCK60-27BA, RCK72-27BA	LS84	319	1
B3300SU		X	X		4-pt.	1031726	1,753.00	INCL.	N/A	LA504	N/A	LS84	319	1
BX1800/BX1830/BX2200/BX2230		X	X		4-pt.	1008537	1,473.00	INCL.	N/A	LA211	RCK54, RCK60B	LS72, 1005	170	1, 2, 4
BX1850/BX2350		X	X		4-pt.	1019060	1,315.00	INCL.	N/A	LA203, LA243	RCK54-23BX, RCK54P-23BX, RCK60B-23BX	LS72, 1005	195	1, 2, 4, 10
BX1860/BX2360/BX2660		X	X		4-pt.	1030063	1,473.00	INCL.	N/A	LA203, LA243	RCK54-23BX, RCK54P-23BX, RCK60B-23BX	LS72, 1005	195	1, 2, 4, 10
MAHINDRA®														
2015		X	X		4-pt.	1012861	1,401.00	INCL.	N/A	ML104	WMM1560	LS84, 1006, 1008	310	1, 3
2415/2516		X	X		4-pt.	1024151	1,399.00	1025713	N/A	ML105	WMM1560	LS84	200	1, 13
MASSEY FERGUSON®														
1529/1532		X	X		4-pt.	1030195	1,522.00	INCL.	N/A	L100	N/A	LC96, LC102	302	1
GC2300		X			4-pt.	1009468	1,542.00	N/A	N/A	2350	2315, 2320, 2325	LS72, 1005	190	1, 13
GC2400/GC2600		X			4-pt.	1031065	1,542.00	INCL.	N/A	DL100	2315, 2320, 2325	LS72	163	1, 13
McCORMICK®														
X10.25		X	X		4-pt.	1011500	1,753.00	INCL.	N/A	L10.84	N/A	LS84	200	1

MOUNTING KIT – 3-POINT HITCH FOR COMPACT 18 – 30 PTO HP TRACTORS

Part No.	Description	Shipping Wt. (lbs.)	Suggested List Price
1012260	Woods® SAF-T-LOK® 3-pt. hitch mounting kit	160	\$ 751.00

NOTE: Requires minimum 2000 lb. tractor including loader or ballast and Category 1 3-pt. hitch with a minimum of 800 lb. lift capacity at 24".

OPTIONAL HYDRAULICS

1014369	Hose Kit – reference mounting kit 1013301 for Case IH DX21/DX23/DX24/DX26, NH TZ21DA/TZ24DA	12	\$ 213.00
1025713	Hose Kit – reference mounting kit 1024151 for Mahindra 2415/2516	12	224.00

THUMB KIT (Dealer-Installed)

1023200	Dealer-Installed Mechanical Thumb Kit (Fits with 12" bucket)	50	\$ 494.00
---------	--	----	-----------

MISCELLANEOUS ACCESSORIES/KITS

1007259	Wheel Counterweight Kit	80	\$ 369.00
1008408	Stabilizer Street Pad Kit	28	339.00
1016450	Wheel Spacer Kit (Reference note 11 on page BH7)	20	132.00
1012277	Flow Divider Kit – for use with 3-pt. mounting kit on tractors with 4.5 – 10 gpm	12	352.00

NOTES:

1. Tractor must be equipped with Woods® or OEM loader.
2. Seat conversion kit (to use OEM seat purchased with tractor) is provided.
3. Woods seat provided as component of mounting kit.
4. Sub-frame required. Do NOT use 3-point hitch kit.
5. Backhoe mounting kit is compatible with OEM mid-mower, and requires John Deere® lock-up kit for mower.
6. Tractor must be equipped with John Deere PBY kit #BM19290.
7. Tractor requires OEM valve kit #590-620-100.
8. Front wheel weight kit #1007259 is recommended (see Accessories section on previous page).
9. Backhoe is NOT compatible with independent hydraulic lift kit for mid-mower.
10. Operators who are 6' tall or taller may not have adequate, comfortable head clearance with the ROPS on the Cub Cadet®/Yanmar® SC2400 and Kubota® BX1850, BX2350, BX2360 or BX2660 tractor while operating this backhoe. In some cases, use of a hard hat or other protective head gear may be necessary.
11. Must order wheel spacer kit #1016450 when mounting on JD2320, JD2520, JD2720 or JD4110.
12. Tractor must be equipped with John Deere PBY kit #LVB25603.
13. Backhoe may be installed with mid-mower in raised locked position. Remove backhoe to use mid-mower.
14. Tractor must be equipped with John Deere dual Selective Control Valve (SCV).
15. Tractor must be equipped with mid-mount valve for BH hydraulics.
16. Must order Kubota wheel spacer kit #B8785 for Kubota B3030 tractor equipped with turf tires.

BACKHOE – TRACTOR MOUNTED

7-foot – BH70-X Groundbreaker-X™

FEATURES:

- Excavator style curved boom
- Two-cylinder swing mechanism
- Woods' unique easy on/easy off 4-point mounting system available for many tractor models ◀ **EXCLUSIVE FEATURE**
- Adjustable, high back, cushioned seat
- Large, walk-through operator's platform
- Mountings compatible with 3-point, sub-frames or skid steer
- Construction grade Gannon® buckets ◀ **EXCLUSIVE FEATURE**
- 2-year warranty



Specifications:

Tractor Horsepower	18 – 40 hp
Skid Steer Rated Capacity	700 – 1400 lbs.
Digging Depth (2-foot flat bottom)	7 feet, 1/2 inch
Swing Arc	180 degrees
Loading Height	5 feet, 6 inches
Transport Height	6 feet, 3 inches
Reach from Swing Pivot	9 feet, 5 inches
Dipperstick Digging Force	2000 lbs.
Bucket Digging Force	3110 lbs.
Required Hydraulic Flow Pressure	4 – 6 gpm 2030 psi

WARNING

To avoid hitch failure and possible operator injury, before mounting the BH70-X backhoe to the tractor 3-point hitch, verify that the hitch meets ASAE standards. Also observe the maximum and minimum hitch dimensions described in the safety and assembly sections of the Operator's Manuals. Woods® makes no warranty, implied or otherwise, concerning the structural integrity of any tractor's 3-point hitch or tractor frame housing assembly. Sub-frame kits, listed on the following page, are required for all tractors listed. If tractor is not equipped with front end loader, front end ballast is required for safety and stability. Skid steer mounting kits are required for all skid steers.

NOTE: Includes basic unit only. Does not include bucket, hitch kit or pump kit. Order from below to complete.

BH70-X - BASE UNIT (WITHOUT THUMB)

Part No.	Description	Shipping Wt. (lbs.)	Suggested List Price
1018230	Orange to match Kubota®/Kioti®	832	\$ 8,493.00
1018231	Vibrant Blue to match New Holland®	832	8,493.00
1018232	Red to match Case IH®	832	8,493.00
1018233	Green to match John Deere®	832	8,493.00
1018234	Red to match Massey Ferguson®	832	8,493.00
1018235	Black	832	8,493.00
1018236	Yellow to match Cub Cadet®	832	8,493.00
1018237	Red to match Mahindra®	832	8,493.00
1018238	Blue to match Ford®	832	8,493.00
1018239	Red to match Branson®	832	8,493.00
1018240	Woods® Burnt Orange	832	8,493.00
1018245	Industrial Gray	832	8,493.00
1018246	Tan to match Case®	832	8,493.00

BH70-X WITH FACTORY-INSTALLED MECHANICAL THUMB*

Part No.	Description	Shipping Wt. (lbs.)	Suggested List Price
1018230T	Orange to match Kubota®/Kioti w/Thumb	889	\$ 9,287.00
1018231T	Vibrant Blue to match NH w/Thumb	889	9,287.00
1018232T	Red to match Case IH w/Thumb	889	9,287.00
1018233T	Green to match John Deere w/Thumb	889	9,287.00
1018234T	Red to match MF w/Thumb	889	9,287.00
1018235T	Black w/Thumb	889	9,287.00
1018236T	Yellow to match Cub Cadet w/Thumb	889	9,287.00
1018237T	Red to match Mahindra w/Thumb	889	9,287.00
1018238T	Blue to match Ford w/Thumb	889	9,287.00
1018239T	Red to match Branson w/Thumb	889	9,287.00
1018240T	Woods Burnt Orange w/Thumb	889	9,287.00
1018245T	Industrial Gray w/Thumb	889	9,287.00
1018246T	Tan to match Case w/Thumb	889	9,287.00

* Fits with 16", 18" and 24" buckets.

HEAVY-DUTY GANNON BUCKETS

Part No.	Description	Bucket Capacity (cu. ft.)	Shipping Wt. (lbs.)	Suggested List Price
1014209	9" Bucket	0.77	70	\$ 592.00
1014212	12" Bucket	1.13	80	658.00
1014216	16" Bucket	1.64	95	724.00
1014218	18" Bucket	1.90	100	790.00
1014224	24" Bucket	2.67	125	824.00

BACKHOE – TRACTOR MOUNTED

7-foot – BH70-X Groundbreaker-X™ (Continued)

MOUNTING KITS – Choose from Group 1 or Group 2 (Some tractors require a backhoe sub-frame as noted below & on the following pages.)

BH70-X BACKHOE REQUIRED TRACTOR SUB-FRAME ORDER REFERENCE LIST

GROUP 1: SUB-FRAME

Tractor Model	Fits Tractor Types				Mount Type	Part No.	Suggested List Price	Hose Kit for Tractor Hydraulics	Hose Kit for Tractor Remotes	OEM Loader Compat.	OEM Mid-Mower Compat.	Woods® Loader Compatible	Mount Ship Wt. (lbs.)	Notes
	2WD	FWA	ROPS	CAB										
AGCO®														
ST28A/ST33A		X	X		4-pt.	1027840	\$ 1,447.00	1020940	N/A	SL44A	N/A	LS84	330	6
ST34A/ST41A		X	X		4-pt.	1013302	1,447.00	1014290	N/A	1525	SM72A	LC96, LC102, 1008, 1009, 1012	310	6, 26, 29
ST35/ST40	X	X	X		4-pt.	1008546	1,447.00	1009575	N/A	1246, 1466	N/A	LC96, LC102, 1008, 1009, 1012	363	6, 22
BRANSON®														
2910/3510/3820/4220/4720		X	X		4-pt.	1013500	1,447.00	INCL.	N/A	BL10A, BL20A	N/A	LC96, LC102, LC108, 1009, 1012, 1016	426	6, 26
CASE IH®														
D35/DX35/D40/DX40/D45/DX45	X	X	X	X	4-pt.	1025575	2,267.00	1021867	N/A	LX116	N/A	LC96, LC102, LC108, 1009, 1012, 1016	557	6
DX21/DX23/DX24/DX26		X	X		4-pt.	1013300	1,592.00	1014370	N/A	LX112	N/A	LS84, 1006	325	6
DX29/D33/DX33	X	X	X		4-pt.	1013460	1,315.00	1013484	N/A	LX114	N/A	LC96, LC102, 1008, 1009, 1012	351	6, 11, 15, 26
DX31/DX34		X	X		4-pt.	1013460	1,315.00	1013484	N/A	LX114	N/A	LC96, LC102, 1008, 1009, 1012	351	6, 26
DX48/DX55	X	X	X		4-pt.	1020698	1,846.00	1021923	N/A	LX118	N/A	LC108, LC114, 1020	434	6
Farmall 30B/35B		X	X		4-pt.	1037631	1,226.00	1033675	N/A	L340	N/A	LC96, LC102	350	6
Farmall 31/35		X	X		4-pt.	1013460	1,315.00	1013484	N/A	L340	N/A	LC96, LC102, 1008, 1009, 1012	351	6, 26
Farmall 40/45/50	X	X	X	X	4-pt.	1025575	2,267.00	1021867	N/A	L350, LX116	N/A	LC96, LC102, LC108, 1009, 1012, 1016	557	6
Farmall 40B/50B		X	X		4-pt.	1031327	1,904.00	1033779	N/A	L350	N/A	LC96, LC102	418	6
Farmall 45A/55A	X	X	X		4-pt.	1035169	1,843.00	1028352	N/A	615TL, L530	N/A	LC108, LC114	440	6
Farmall 55/60		X	X	X	4-pt.	1020698	1,846.00	1021923	N/A	L360	N/A	LC108, LC114	434	6
CHALLENGER®														
MT255B		X	X		4-pt.	1027840	1,447.00	1020940	N/A	ML20B	N/A	LS84	330	6
MT265B/MT275B		X	X		4-pt.	1013302	1,447.00	1014290	N/A	ML30B	72"	LC96, LC102, 1008, 1009, 1012	310	6, 26, 29
CUB CADET®														
7000/7192/7194/7195/7200/7205		X	X		4-pt.	1012860	1,461.00	1012888	N/A	N/A	C360	LS84, 1006	298	6
7000/7192/7194/7195/7200/7205	X	X	X		Sub-frame	1002899	1,063.00	1002898	N/A	475	N/A	LS84, 1006	256	6
7260/7265/7274/7275/7300/7305	X	X	X		Sub-frame	1002774	1,118.00	1002782	N/A	476	N/A	LC96, LC102, 1009, 1012	228	6

Reference list continued on following page.
See NOTES on page BH18.

BACKHOE – TRACTOR MOUNTED

7-foot – BH70-X Groundbreaker-X™ (Continued)

BH70-X BACKHOE REQUIRED TRACTOR SUB-FRAME ORDER REFERENCE LIST (Continued)

GROUP 1: SUB-FRAME (Continued)

Tractor Model	Fits Tractor Types				Mount Type	Part No.	Suggested List Price	Hose Kit for Tractor Hydraulics	Hose Kit for Tractor Remotes	OEM Loader Compat.	OEM Mid-Mower Compat.	Woods® Loader Compatible	Mount Ship Wt. (lbs.)	Notes
	2WD	FWA	ROPS	CAB										
CUB CADET® (Continued)														
7360		X	X		Sub-frame	1002749	\$ 1,004.00	1002775	N/A	485	N/A	LC96, LC102, 1009, 1012	233	6
7530/7532		X	X		4-pt.	1011352	1,708.00	1011374	N/A	590-833	N/A	LC96, LC102, 1008	293	6
8354	X	X	X		Sub-frame	46339	1,182.00	1003179	N/A	N/A	N/A	LC96, LC102, LC108, 1009, 1012, 1016	357	23
8404		X	X		Sub-frame	1004327	1,447.00	1003179	N/A	N/A	N/A	LC96, LC102, LC108, 1009, 1012, 1016	338	6
8454		X	X		Sub-frame	1002631	1,182.00	1003179	N/A	N/A	N/A	LC96, LC102, LC108, LC114, 1009, 1012, 1016	291	16
8454SS	X	X	X		4-pt.	1011025	1,512.00	1003179	N/A	642	N/A	1009, 1012, 1016	392	6
CUB CADET/YANMAR®														
EX2900/EX3200		X	X		4-pt.	1027810	1,489.00	1027815	N/A	CL300	N/A	LS84, LC96	300	6
FORD® & NEW HOLLAND®														
1310/1510/1710	X	X	X		Sub-frame	1002675	1,182.00	N/A	N/A	770A, 770B	N/A	LC96, LC102, 1009, 1012, 1016	205	6
1320/1520/1620/1715	X	X	X		Sub-frame	1016316	1,545.00	N/A	N/A	7108, 7308	N/A	LC96, LC102, 1009, 1012	250	5
1530/1630/1725/1925, TC25/TC29/TC29D/TC30/TC33/TC33D	X	X	X		Sub-frame	1001560	1,447.00	N/A	N/A	7308, 14LA	N/A	LC96, LC102, 1008, 1009, 1012	255	6, 7, 11, 15
1720	X	X	X		Sub-frame	1016316	1,545.00	N/A	N/A	7108, 7308	N/A	LC96, LC102, 1009, 1012, 1016	250	
1910	X	X	X		Sub-frame	1002666	1,182.00 (MTO*)	N/A	N/A	770A, 770B	N/A	LC96, LC102, 1009, 1012, 1016	210	6
1920	X	X	X		Sub-frame	1000407	1,380.00	N/A	N/A	7308	N/A	LC96, LC102, LC108, 1009, 1012, 1016	250	
Boomer 30/35		X	X		4-pt.	1037631	1,226.00	1033675	N/A	240TL	N/A	LC96, LC102	350	6
Boomer 40/50		X	X		4-pt.	1031327	1,904.00	1033779	N/A	250TL	N/A	LC96, LC102	418	6
Boomer 3040/3045/3050, 8n (CVT only)		X	X	X	4-pt.	1033083	2,267.00	1032375	N/A	250TL	N/A	LC96, LC102, LC108	480	6, 13
Boomer 3040/3045/3050 (Except CVT)	X	X	X	X	4-pt.	1025575	2,267.00	1021867	N/A	250TL, 260TL	N/A	LC96, LC102, LC108	557	6, 13
T1510/T1520		X	X		4-pt.	1022120	1,545.00	1013484	N/A	7308, 110TL	914A	LS84, LC96, LC102	370	6, 26
T1530		X	X		4-pt.	1032936	2,267.00	1021867	N/A	250TL	N/A	LC96, LC102	473	6
T2210/T2220/TC29DA/TC33DA	X	X	X		4-pt.	1013460	1,315.00	1013484	N/A	14LA	914A	LC96, LC102, 1009, 1012	351	6, 26
T2310/T2320/T2330	X	X	X	X	4-pt.	1025575	2,267.00	1021867	N/A	16LA, 17LA, 250TL, 260TL	N/A	LC96, LC102, LC108, 1009, 1012, 1016	557	6

* MTO: Made-to-order. Please contact Customer Services for availability dates.

Reference list continued on following page.
See NOTES on page BH18.

BACKHOE – TRACTOR MOUNTED

7-foot – BH70-X Groundbreaker-X™ (Continued)

BH70-X BACKHOE REQUIRED TRACTOR SUB-FRAME ORDER REFERENCE LIST (Continued)

GROUP 1: SUB-FRAME (Continued)

Tractor Model	Fits Tractor Types				Mount Type	Part No.	Suggested List Price	Hose Kit for Tractor Hydraulics	Hose Kit for Tractor Remotes	OEM Loader Compat.	OEM Mid-Mower Compat.	Woods® Loader Compatible	Mount Ship Wt. (lbs.)	Notes
	2WD	FWA	ROPS	CAB										
FORD® & NEW HOLLAND® (Continued)														
T2410/T2420		X	X	X	4-pt.	1020698	\$ 1,846.00	1021923	N/A	270TL	N/A	LC108, LC114	434	6
TC18/TC21 (Prior to SN UF33357)		X	X		Sub-frame	1016312	1,395.00 (MTO*)	N/A	N/A	7106	N/A	LS84, 1006	255	6
TC18/TC21 (SN UF33357 & Later)/TC21A/TC24/TC24D		X	X		4-pt.	1013300	1,592.00	1014370	N/A	7106	N/A	LS84, 1006	325	6
TC21DA/TC23DA/TC24DA/TC26DA		X	X		4-pt.	1013300	1,592.00	1014370	N/A	12LA	N/A	LS84, 1006	325	6
TC30		X	X		4-pt.	1026840	1,489.00	1013484	N/A	7308	N/A	LC96, LC102	375	6, 26
TC31DA/TC34DA		X	X		4-pt.	1013460	1,315.00	1013484	N/A	14LA	N/A	LC96, LC102, 1008, 1009, 1012	351	6, 26
TC35/TC35A/TC35D/TC35DA/TC40/TC40A/TC40D/TC40DA/TC45/TC45A/TC45D/TC45DA	X	X	X	X	4-pt.	1025575	2,267.00	1021867	N/A	16LA, 17LA, 250TL, 260TL	N/A	LC96, LC102, LC108, 1009, 1012, 1016	557	6, 13
TC48DA/TC55DA	X	X	X		4-pt.	1020698	1,846.00	1021923	N/A	18LA	N/A	LC108, LC114, 1020	434	6, 26
Workmaster 45/55	X	X	X		4-pt.	1035169	1,843.00	1028352	N/A	615TL, L530	N/A	LC108, LC114	440	6
JOHN DEERE®														
750		X	X		Sub-frame	1016317	1,775.00	N/A	N/A	JD70	N/A	LC96, LC108	196	1
790/3005		X	X		Sub-frame	1001770	1,118.00	N/A	46013	JD70, 300, 419	N/A	LS84, 1006	235	2, 10, 28, 39
850/950/1050		X	X		Sub-frame	1016324	1,348.00 (MTO*)	N/A	N/A	JD75	N/A	LC96, LC102, LC108, 1009, 1012, 1016	212	3
855/955		X	X		Sub-frame	1016537	1,971.00 (MTO*)	N/A	N/A	JD70A	N/A	LS72 (855), 1006	266	
870/970/1070		X	X		Sub-frame	9402	1,643.00	N/A	N/A	JD80, JD430	N/A	LC96, LC102, LC108, 1009, 1012, 1016	245	6
990		X	X		Sub-frame	9402	1,643.00	N/A	N/A	JD430, 300CX	N/A	LC96, LC102, LC108, 1009, 1012, 1016	245	6
3032E/3038E		X	X		4-pt.	1035925	1,470.00	1035949	N/A	305	N/A	N/A	276	6
3120/3320/3520/3720		X	X		4-pt.	1019001	1,315.00	1019008	N/A	300X, 300CX	N/A	LC96, LC102, 1009, 1012	279	6, 31, 32
3120/3320/3520/3720		X		X	4-pt.	1019000	1,315.00	1019008	N/A	300X, 300CX	N/A	1009, 1012	276	6, 31, 32
3203		X	X		4-pt.	1021970	1,487.00	1019008	N/A	300	N/A	LC96, LC102, 1009, 1012	290	6, 31, 32
4120/4320/4520/4720	X	X	X	X	4-pt.	1021870	1,613.00	1012370	N/A	400X	N/A	LC96, LC102, LC108, LC114, 1009, 1012, 1016	379	6

* MTO: Made-to-order. Please contact Customer Services for availability dates.

Reference list continued on following page.
See NOTES on page BH18.

BACKHOE – TRACTOR MOUNTED

7-foot – BH70-X Groundbreaker-X™ (Continued)

BH70-X BACKHOE REQUIRED TRACTOR SUB-FRAME ORDER REFERENCE LIST (Continued)

GROUP 1: SUB-FRAME (Continued)

Tractor Model	Fits Tractor Types				Mount Type	Part No.	Suggested List Price	Hose Kit for Tractor Hydraulics	Hose Kit for Tractor Remotes	OEM Loader Compat.	OEM Mid-Mower Compat.	Woods® Loader Compatible	Mount Ship Wt. (lbs.)	Notes
	2WD	FWA	ROPS	CAB										
JOHN DEERE® (Continued)														
4200/4300/4400		X	X		Sub-frame	9865	\$ 1,053.00	N/A	N/A	420, 430	N/A	LC96, LC102, 1009, 1012	183	
4210/4310/4410		X	X		Sub-frame	1007253	1,118.00	N/A	N/A	420, 430	N/A	LC96, LC102, 1009, 1012	210	
4500/4600/4700		X	X		Sub-frame	59747	1,447.00	N/A	N/A	430, 460	N/A	LC96, LC102, LC108, 1009, 1012, 1016	239	
KIOTI®														
CK20/CK20HST		X	X		4-pt.	1009561	1,990.00	1010921	N/A	KL120	KMR03-60MM KMR03-60SD	LS84, 1006	277	6, 21
CK25/CK30 & HST		X	X		4-pt.	1011425	1,447.00	1011447	N/A	KL130	N/A	LC96, LC102, 1009, 1012	263	6
CK35 & HST		X	X		4-pt.	1011425	1,447.00	1011447	N/A	KL130	N/A	LC96, LC102, 1009, 1012	263	6, 26
DK35		X	X		Sub-frame	46339	1,182.00	1003179	N/A	N/A	N/A	LC96, LC102, LC108, 1009, 1012, 1016	357	6
DK35SE	X	X	X		4-pt.	1025441	1,564.00	1025421	N/A	KL351	N/A	LC96, LC102, LC108	387	6
DK40		X	X		Sub-frame	1004327	1,447.00	1003179	N/A	KL1470	N/A	LC96, LC102, LC108, 1009, 1012, 1016	338	6
DK40SE/ DK45SE/ DK50SE	X	X	X		4-pt.	1025400	1,840.00	1025421	N/A	KL401	N/A	LC108, LC114	436	6
DK45/DK50		X	X		Sub-frame	1002631	1,182.00	1003179	N/A	N/A	N/A	LC96, LC102, LC108, 1009, 1012, 1016	291	16
DK45/DK50		X	X		4-pt.	1011025	1,512.00	1003179	N/A	KL1470	N/A	LC96, LC102, LC108, 1009, 1012, 1016	392	6
DK45S		X	X		4-pt.	1022085	1,705.00	1009756	N/A	KL451, KL1470, KL1590	N/A	LC96, LC102, LC108, LC114	435	6, 26
DK55		X	X	X	4-pt.	1009700	1,512.00	1009756	N/A	KL1595	N/A	LC108, LC114	397	6
LK3054		X	X		Sub-frame	1016533	1,493.00	N/A	N/A	N/A	N/A	LC96, LC102, 1009, 1012	360	
KUBOTA®														
B1550/B1750		X	X		Sub-frame	1016530	2,082.00	N/A	N/A	B1640, B1640A	N/A	LS72, 1006	153	
B1700/B2100/ B2400		X	X		4-pt.	1020800	1,512.00	1027839	N/A	LA301, LA351	N/A	LS84, 1006	480	6, 8, 34, 42
B2150	X	X	X		Sub-frame	1016319	1,547.00	N/A	N/A	BF300, BF350, BF350A	N/A	LS84, 1006	187	4
B2320/B2620/ B2920		X	X		4-pt.	1028650	1,775.00	INCL.	N/A	LA304, LA364	RCK54-29B, RCK60-29B	LS72, LS84	261	6
B2410		X	X		4-pt.	1020800	1,512.00	1027839	N/A	LA352FL- 1	N/A	LS84, 1006	480	6, 34, 42
B2630/B3030		X	X		4-pt.	1014301	1,315.00	1014454	N/A	LA403	RCK60-30B	LS84, 1006, 1008	266	6, 26, 43

Reference list continued on following page.
See NOTES on page BH18.

BACKHOE – TRACTOR MOUNTED

7-foot – BH70-X Groundbreaker-X™ (Continued)

BH70-X BACKHOE REQUIRED TRACTOR SUB-FRAME ORDER REFERENCE LIST (Continued)

GROUP 1: SUB-FRAME (Continued)

Tractor Model	Fits Tractor Types				Mount Type	Part No.	Suggested List Price	Hose Kit for Tractor Hydraulics	Hose Kit for Tractor Remotes	OEM Loader Compatible	OEM Mid-Mower Compatible	Woods® Loader Compatible	Mount Ship Wt. (lbs.)	Notes
	2WD	FWA	ROPS	CAB										
KUBOTA® (Continued)														
B2710/B2910/ B7800	X	X	X		4-pt.	1012619	\$ 1,447.00	1027838	N/A	LA402	RCK60-27B	LS84, 1006, 1008	392	6, 34
B3000		X		X	4-pt.	1034785	1,814.00	1034794	N/A	LA403	N/A	N/A	397	6
B3030		X		X	4-pt.	1016331	1,315.00	1016359	N/A	LA403	RCK60-30B	LS84, 1006, 1008	307	6, 26, 43
B3200		X	X		4-pt.	1031725	1,753.00	INCL.	N/A	LA504	RCK60-29B	LS84	372	6
B3300SU		X	X		4-pt.	1031725	1,753.00	INCL.	N/A	LA504	N/A	LS84	372	6
B6100HST/ B6200HST/ B7100HST/ B7200HST		X	X		Sub-frame	1016530	2,082.00	N/A	N/A	B1640, B1640A	N/A	LS72, 1006	153	4
B7300 HSD		X	X		4-pt.	1020800	1,512.00	1027839	N/A	LA271	N/A	1006	480	6, 8, 9, 34, 42
B7400/B7500		X	X		4-pt.	1020800	1,512.00	1027839	N/A	LA271	N/A	LS72, LS84	480	6, 9, 34, 42
B7410/B7510/ B7610		X	X		4-pt.	1020800	1,512.00	1027839	N/A	LA272FL-1, LA302FL-1, LA352FL-1	N/A	LS72, LS84, 1006	480	6, 34, 42
B8200	X	X	X		Sub-frame	1016319	1,547.00	N/A	N/A	BF300, BF350, BF350A	N/A	LS84, 1006	187	4
L2050/L2350/ L2500		X	X		Sub-frame	1016318	1,315.00	N/A	N/A	LA450S, LB400	N/A	LC96, LC102, 1009, 1012	251	
L2250/L2550/ L2650/L2850/ L2950		X	X		Sub-frame	1016323	1,315.00	N/A	N/A	BF400G, BF500	N/A	LC96, LC102, LC108 (N/A on L2250), 1009, 1012, 1016	211	
L2600/L3000	X	X	X		Sub-frame	1001363	1,348.00	N/A	N/A	LA450S, LB402	N/A	LC96, LC102, 1008, 1009, 1012	242	
L2800/L3400	X	X	X		4-pt.	1033674	1,523.00	1010604 or 1010605	N/A	LA463	N/A	LC96, LC102	282	6, 40
L2900/L3300/ L3010/L3410	X	X	X	X	Sub-frame	1001198	1,578.00	N/A	N/A	LA480, LA481	RC72-29A	LC96, LC102, LC108, 1009, 1012, 1016	338	14
L3130/L3430/ L3830	X	X	X		4-pt.	1006863	1,775.00	1006901	N/A	LA513, LA723	RC72-38	LC96, LC102, LC108, 1008 (N/A on L3830), 1009, 1012, 1016	322	17, 18
L3130HST/ L3430HST/ L3830HST	X	X	X		4-pt.	1006863	1,775.00	1006901	N/A	LA513, LA723	RC72-38	LC96, LC102, LC108, 1008, 1009, 1012, 1016	322	17, 18
L3200/L3800	X	X	X		4-pt.	1033674	1,523.00	1010604 or 1010605	N/A	LA463, LA524	N/A	LC96, LC102	282	6, 40
L3240/L3540	X	X	X		4-pt.	1025691	1,495.00	1024864	46561	LA514, LA724	RC72-38	LC96, LC102, LC108, 1009, 1012	324	6, 17, 36

Reference list continued on following page.
See NOTES on page BH18.

BACKHOE – TRACTOR MOUNTED

7-foot – BH70-X Groundbreaker-X™ (Continued)

BH70-X BACKHOE REQUIRED TRACTOR SUB-FRAME ORDER REFERENCE LIST (Continued)

GROUP 1: SUB-FRAME (Continued)

Tractor Model	Fits Tractor Types				Mount Type	Part No.	Suggested List Price	Hose Kit for Tractor Hydraulics	Hose Kit for Tractor Remotes	OEM Loader Compat.	OEM Mid-Mower Compat.	Woods® Loader Compatible	Mount Ship Wt. (lbs.)	Notes
	2WD	FWA	ROPS	CAB										
KUBOTA® (Continued)														
L3240/L3540 Series 1		X		X	4-pt.	1025675	\$ 1,463.00	1024864	46561	LA514, LA724	RC72-38	LC96, LC102, LC108, 1009, 1012	348	6, 33, 36
L3240/L3540 Series 3		X		X	4-pt.	1032395	1,463.00	1024864	46561	LA514, LA724	RC72-38	LC96, LC102, LC108	340	6, 17, 33, 36
L3430	X	X		X	4-pt.	1007329	1,545.00	1006901	N/A	LA513, LA723	RC72-38	LC96, LC102, LC108, 1008, 1009, 1012, 1016	340	
L3600/L4200/L3710/L4310	X	X	X	X	Sub-frame	1001198	1,578.00	N/A	N/A	LA680, LA681	N/A	LC96, LC102, LC108, 1009, 1012, 1016	338	14
L3700SU		X	X		4-pt.	1033674	1,523.00	1010604 or 1010605	N/A	LA463	N/A	LC96, LC102	282	6, 40
L3940		X	X		4-pt.	1024875	1,523.00	1024864	46561	LA724, LA854	RC72-38	LC96, LC102, LC108, 1009, 1012	324	6, 17, 36
L3940 Series 1		X		X	4-pt.	1025432	1,429.00	1024864	46561	LA724, LA854	RC72-38	LC96, LC102, LC108, 1009, 1012	318	6, 33, 36
L3940-3/L4240-3/L4740-3		X		X	4-pt.	1032925	1,523.00	1024864	46561	LA724, LA854	N/A	LC96, LC102, LC108, LC114	313	6
L4240/L4740/L5040/L5240/L5740		X	X		4-pt.	1024875	1,523.00	1024864	46561	LA854	N/A	LC108, LC114	324	6, 17, 36
L4240/L4740 Series 1		X		X	4-pt.	1025432	1,429.00	1024864	46561	LA854	N/A	LC108, LC114	318	6, 36
L4300		X	X		Sub-frame	1001198	1,578.00	N/A	N/A	LA682, LB552	N/A	LC96, LC102, LC108, 1009, 1012, 1016	338	
L4330/L4630	X	X	X		4-pt.	1006863	1,775.00	1006901	N/A	LA853	N/A	LC96, LC102, LC108, LC114, 1009, 1012, 1016, 1020	322	17
L4330/L4630	X	X		X	4-pt.	1007398	1,447.00	1006901	N/A	LA853	N/A	LC96, LC102, LC108, LC114, 1009, 1012, 1016, 1020	309	
L4400 Gear & HST	X	X	X		4-pt.	1013165	1,578.00	1006901	N/A	LA703	N/A	LC96, LC102, LC108	482	6, 37
L4600		X	X		4-pt.	1036180	1,290.00	1006901	46561	LA764	N/A	LC102, LC108, LC114	374	6
L4610		X	X		Sub-frame	1000554	1,676.00	N/A	N/A	LA852	N/A	LC96, LC102, LC108, 1009, 1012, 1016	321	12, 13
L5030	X	X	X		4-pt.	1007198	1,775.00	1006901	N/A	LA853	N/A	LC96, LC102, LC108, LC114, 1009, 1012, 1016, 1020	306	17
L5030	X	X		X	4-pt.	1007365	1,447.00	1006901	N/A	LA853	N/A	LC96, LC102, LC108, LC114, 1009, 1012, 1016, 1020	301	

Reference list continued on following page.
See NOTES on page BH18.

BACKHOE – TRACTOR MOUNTED

7-foot – BH70-X Groundbreaker-X™ (Continued)

BH70-X BACKHOE REQUIRED TRACTOR SUB-FRAME ORDER REFERENCE LIST (Continued)

GROUP 1: SUB-FRAME (Continued)

Tractor Model	Fits Tractor Types				Mount Type	Part No.	Suggested List Price	Hose Kit for Tractor Hydraulics	Hose Kit for Tractor Remotes	OEM Loader Compat.	OEM Mid-Mower Compat.	Woods® Loader Compatible	Mount Ship Wt. (lbs.)	Notes
	2WD	FWA	ROPS	CAB										
KUBOTA® (Continued)														
L5240/L5740 HSTC-3		X		X	4-pt.	1033470	\$ 1,368.00	1024864	46561	LA854	N/A	LC108, LC114	321	6, 36
L5240/L5740 Series 1		X		X	4-pt.	1025424	1,429.00	1024864	46561	LA854	N/A	LC108, LC114	318	6, 36
MX5000	X	X	X		Sub-frame	1004624	1,447.00	N/A	N/A	LA702, LA852-1	N/A	LC96, LC102, LC108, 1009, 1012, 1016	355	
MX5100	X	X	X		4-pt.	1029000	1,864.00	1029004	N/A	LA844	N/A	LC108, LC114	350	6
LONG®														
280/360		X	X		Sub-frame	46506	1,182.00 (MTO*)	N/A	46568	N/A	N/A	LC96, LC102, LC108, 1009, 1012, 1016	216	
MAHINDRA®														
2015	X	X	X		Sub-frame	1002899	1,063.00	1002898	N/A	ML104	N/A	LS84, 1006	256	6
2015		X	X		4-pt.	1012860	1,461.00	1012888	N/A	ML104	BSMM1560	LS84, 1006	298	6
2310/2810		X	X		4-pt.	1010929	1,842.00	1011350	N/A	ML108	N/A	1008	321	6
2415/2516		X	X		4-pt.	1024154	1,447.00	1028645	N/A	ML105	WMM1560	LS84	300	6, 33
2615/3015	X	X	X		Sub-frame	1011488	1,118.00	1002782	N/A	ML106	N/A	LC96, LC102, 1009, 1012	243	6
2810HST/3510HST		X	X		4-pt.	1013250	1,447.00	1012856	N/A	ML108	MM2872	LC96, LC102, 1009, 1012	281	6
2815/3215		X	X		4-pt.	1020616	1,315.00	1020631	N/A	ML111	WMM1572	LC96, LC102	250	6
3510/4110		X	X		4-pt.	1012825	1,447.00	1012856	N/A	ML112	N/A	LC96, LC102, LC108, 1009, 1012, 1016	411	6
3525	X		X		4-pt.	1014140	1,118.00	N/A	N/A	ML230	N/A	LC96, LC102, LC108, 1009, 1012, 1016	246	25
4500	X	X	X		4-pt.	1010390	1,643.00	N/A	N/A	ML245	N/A	LU126, 1020, 1027	439	24, 25
MASSEY FERGUSON®														
1240/1250/1260		X	X		Sub-frame	1016527	1,971.00	N/A	N/A	1246	N/A	1009, 1012	272	
1428V		X	X		4-pt.	1007222	1,643.00	1007248	N/A	1464	N/A	1008	286	19, 27
1429/1433/1433V/1440/1440V	X	X	X		Sub-frame	1006159	1,118.00	N/A	N/A	1246, 1466	N/A	LC96, LC102, 1008, 1009, 1012	260	
1433/1433V/1440/1440V	X	X	X		4-pt.	1008546	1,447.00	1009575	N/A	1246, 1466	N/A	LC96, LC102, 1008, 1009, 1012	363	6, 22
1528/1531		X	X		4-pt.	1027840	1,447.00	1020940	N/A	1520	N/A	LS84	330	6
1529/1532		X	X		4-pt.	1030194	1,447.00	1030222	N/A	L100	N/A	LC96, LC102	309	6, 38
1533/1540		X	X		4-pt.	1013302	1,447.00	1014290	N/A	1525	1505	LC96, LC102, 1008, 1009, 1012	310	6, 26, 29, 35
1635/1643		X	X		4-pt.	1013302	1,447.00	1014290	N/A	DL120	N/A	LC96, LC102	310	6, 26

* MTO: Made-to-order. Please contact Customer Services for availability dates.

Reference list continued on following page.
See NOTES on page BH18.

BACKHOE – TRACTOR MOUNTED

7-foot – BH70-X Groundbreaker-X™ (Continued)

BH70-X BACKHOE REQUIRED TRACTOR SUB-FRAME ORDER REFERENCE LIST (Continued)

GROUP 1: SUB-FRAME (Continued)

Tractor Model	Fits Tractor Types				Mount Type	Part No.	Suggested List Price	Hose Kit for Tractor Hydraulics	Hose Kit for Tractor Remotes	OEM Loader Compat.	OEM Mid-Mower Compat.	Woods® Loader Compatible	Mount Ship Wt. (lbs.)	Notes
	2WD	FWA	ROPS	CAB										
McCORMICK®														
GX40/GX45	X	X	X		4-pt.	1010612	\$ 1,447.00	1010898	N/A	N/A	N/A	1009, 1012	307	
X10.25		X	X		4-pt.	1009561	1,990.00	1034781	N/A	L10.84	N/A	LS84	277	6
X10.30/X10.35		X	X		4-pt.	1034190	1,447.00	1011447	N/A	L10.84, L10.96, L220	N/A	LC96, LC102	TBD	6, 26
X10.40/X10.50		X	X	X	4-pt.	1033870	1,579.00	1025421	N/A	L10.102, L10.108	N/A	LC96, LC102, LC108	475	6
X10.55		X	X	X	4-pt.	1009700	1,512.00	1009756	N/A	L10.108, L10.114, L250	N/A	LC108, LC114	397	6, 41
MONTANA®														
2740/3240		X	X		4-pt.	1021900	1,520.00	1021963	N/A	100	N/A	LC96, LC102	300	6
TYM®														
T330		X	X		4-pt.	1010929	1,842.00	1011350	N/A	YES	N/A	1008	321	6
T330HST		X	X		4-pt.	1013250	1,447.00	1012856	N/A	YES	N/A	LC96, LC102, 1009, 1012	281	6, 30
YANMAR®														
220/226/276/336		X	X		Sub-frame	1016317	1,775.00	N/A	N/A	N/A	N/A	N/A	196	

See NOTES on page BH18.

GROUP 2: 3-POINT & 3RD POINT BRACKETS

Part No.	Description	Shipping Wt. (lbs.)	Suggested List Price
1012552	Woods® SAF-T-LOK® 3-pt. hitch mounting kit	104	\$ 592.00

REQUIRED 3RD POINT BRACKETS

9032	Top link bracket required in addition to 3-pt. mounting on Ford® 2600-3600	12	\$ 265.00
1006830	Top link bracket required in addition to 3-pt. mounting on Kubota® L2600, L2800, L2900, L3130, L3240, L3400, L3430, L3540, L3830, L3940, L4240, L4330, L4630, L4740, L5030 (ROPS only), L5040, L5240, L5740. NOTE: 4-pt. sub-frame mounting also available (see pages BH9 - BH18)	9	146.00
1011021	Top link bracket required in addition to 3-pt. mounting on Massey Ferguson® 431	22	66.00

NOTE: 3rd point bracket kit is REQUIRED to 3-point mount the BH70-X Backhoe on the tractors listed above. All other tractors must be equipped with original high-strength top link pin with minimum 3/4-inch diameter.

OPTIONAL HYDRAULICS

Part No.	Description	Shipping Wt. (lbs.)	Suggested List Price
1012558	6 gpm Pump Kit – comes with 540 PTO driven pump, reservoir, hoses, filter, and fittings	60	\$ 1,150.00
OR			
46561	Hose Kit – reference mounting kit 1024875/1025424/1025432/1025675/1025691/1032395/1032925/1036180	6	168.00
46568	Hose Kit – reference mounting kit 46506	5	132.00
1002775	Hose Kit – reference mounting kit 1002749	8	265.00
1002782	Hose Kit – reference mounting kit 1002774/1011488	10	265.00
1002898	Hose Kit – reference mounting kit 1002899	13	370.00
1003178	Hose Kit – reference mounting kit 46339	9	265.00
1003179	Hose Kit – reference mounting kit 46339/1002631/1004327/1011025	9	370.00
1006901	Hose Kit – reference mounting kit 1006863/1007198/1007329/1007365/1007398/1013165/1036180	14	394.00
1007189	Hose Kit – reference mounting kit 1006863	9	265.00

BACKHOE – TRACTOR MOUNTED

7-foot – BH70-X Groundbreaker-X™ (Continued)

OPTIONAL HYDRAULICS (Continued)

Part No.	Description	Shipping Wt. (lbs.)	Suggested List Price
1007248	Hose Kit – reference mounting kit 1007222	9	\$ 265.00
1009575	Hose Kit – reference mounting kit 1008546	10	330.00
1009756	Hose Kit – reference mounting kit 1009700	7	265.00
1010595	Hose Kit – reference mounting kit 1009783/1020800	10	330.00
1010604	Hose Kit – reference mounting kit 1033674	11	330.00
1010605	Hose Kit – reference mounting kit 1033674	12	330.00
1010894	Hose Kit – reference mounting kit 1012619	10	265.00
1010898	Hose Kit – reference mounting kit 1010612	10	265.00
1010921	Hose Kit – reference mounting kit 1009561	9	298.00
1011350	Hose Kit – reference mounting kit 1010929	10	293.00
1011374	Hose Kit – reference mounting kit 1011352	10	330.00
1011447	Hose Kit – reference mounting kit 1011425/1034190	10	361.00
1012370	Hose Kit – reference mounting kit 1021870	10	276.00
1012856	Hose Kit – reference mounting kit 1013250/1012825	10	265.00
1012888	Hose Kit – reference mounting kit 1012860	15	334.00
1013484	Hose Kit – reference mounting kit 1001560/1013460/1022120/1026840	12	318.00
1014290	Hose Kit – reference mounting kit 1013302	8	238.00
1014370	Hose Kit – reference mounting kit 1013300	12	267.00
1014454	Hose Kit – reference mounting kit 1014301	13	265.00
1016359	Hose Kit – reference mounting kit 1016331	13	231.00
1019008	Hose Kit – reference mounting kit 1019000/1019001/1021970	10	361.00
1020631	Hose Kit – reference mounting kit 1020616	10	265.00
1020940	Hose Kit – reference mounting kit 1027840	9	265.00
1021867	Hose Kit – reference mounting kit 1025575/1032936	10	361.00
1021923	Hose Kit – reference mounting kit 1020698	15	330.00
1021963	Hose Kit – reference mounting kit 1021900	15	230.00
1024864	Hose Kit – reference mounting kit 1024875/1025424/1025432/1025675/1025691/1032395/1032925/1033470	13	449.00
1025421	Hose Kit – reference mounting kit 1025400/1025441/1033870	7	302.00
1027815	Hose Kit – reference mounting kit 1027810	8	298.00
1027838	Hose Kit – reference mounting kit 1012619	9	265.00
1027839	Hose Kit – reference mounting kit 1020800	10	265.00
1028352	Hose Kit – reference mounting kit 1035169	11	347.00
1028645	Hose Kit – reference mounting kit 1024154	10	361.00
1029004	Hose Kit – reference mounting kit 1029000	13	394.00
1030222	Hose Kit – reference mounting kit 1030194	8	330.00
1032375	Hose Kit – reference mounting kit 1033083	13	449.00
1033675	Hose Kit – reference mounting kit 1037631	12	298.00
1033779	Hose Kit – reference mounting kit 1031327	12	469.00
1034781	Hose Kit – reference mounting kit 1009561	9	298.00
1034794	Hose Kit – reference mounting kit 1034785	TBD	264.00
1035949	Hose Kit – reference mounting kit 1035925	10	342.00

THUMB KIT (Dealer-Installed)

1015090	Dealer-Installed Mechanical Thumb Kit (Fits with 16", 18" and 24" buckets)	95	\$ 790.00
---------	--	----	-----------

MISCELLANEOUS ACCESSORIES/KITS

37994	Mounting Bracket (See note 14 on page BH18)	18	▲
51962	Reinforcement Kit (See note 5 on page BH18)	9	\$ 194.00
1001761	Optional Tool Box Kit (See note 11 on page BH18)	7	73.00
1006610KT	Street Pad Kit	10	198.00
1007259	Wheel Counterweight Kit (See note 20 on page BH18)	80	369.00
1019056	Spacer Kit (See note 39 on page BH18)	31	202.00
1034178	Adapter Kit (See note 41 on page BH18)	10	154.00

BACKHOE – TRACTOR MOUNTED**7-foot – BH70-X Groundbreaker-X™ (Continued)****NOTES:**

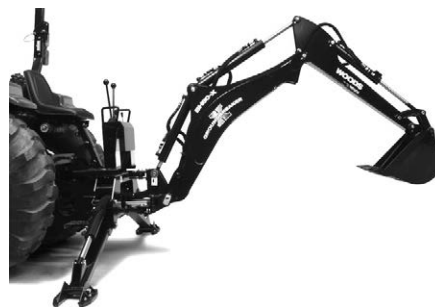
1. Due to inadequate ROPS clearance, special John Deere® ROPS #AM102772 is required; order from John Deere.
2. Due to inadequate ROPS clearance, special John Deere ROPS #AM107212 is required; order from John Deere.
3. Due to inadequate ROPS clearance, special John Deere ROPS #AM104044 is required; order from John Deere.
4. Fits 2WD & 4WD: Gear & HST.
5. For 1320, 1520, 1620 and 1715 – also order #51962 reinforcement kit. For 155/165 loader only (not needed with OEM loader).
6. Tractor must be equipped with Woods® or OEM loader.
7. Super Steer front axle compatible.
8. Due to inadequate ROPS clearance, special Kubota® ROPS #B1073 is required; order from Kubota.
9. Ground clearance approximately 5-3/4 inches at rear of sub-frame with Ag & Turf tires, approximately 6-3/4 inches with construction tires.
10. When using Woods model LS84 or 1006 loader, order #1006363.
11. Optional tool box mounting bracket available; order #1001761.
12. Will fit cab and non-cab tractors.
13. Not recommended for installation on tractors with 41/18LL x 16.1 rear Galaxy® turf tires.
14. If using Woods loader mounting kit #111747; order mounting bracket #37994.
15. When using OEM loader or Woods 1008 loader, Woods kit #1001698 is required. Order separately.
16. Tractor must be equipped with Woods loader.
17. Woods SAF-T-LOK® 3-point hitch mounting may be used instead. Refer to #1006830 Top Link Bracket Kit – Mounting Kits, Group 1: 3-POINT.
18. If not using optional 6 gpm hydraulic PTO pump, use hose kit #1007189 to connect to Woods 1008 loader only.
19. Requires hose kit #1007248 to connect to tractor's hydraulic system. Pump kit not available.
20. Wheel counterweight #1007259 recommended to meet tractor weight distribution requirements.
21. Backhoe mounting kit is compatible with OEM mid-mowers KMR03-60SD and KMR03-60MM.
22. Tractor PTO safety lock-out does not allow use of PTO pump kit. Order hose kit #1009575 to connect to tractor's hydraulic system.
23. Hose kit #1003179 required with Woods loader. With use of hose kit #1003178, backhoe can be used without loader.
24. This mount only fits tractors with wet disc brakes.
25. PTO pump kit #1012558 is required.
26. When using PTO pump kit #1012558, 3-point arms must be removed.
27. Will fit only with AG tires; does not fit with industrial or turf tires because tire spacing cannot be adjusted.
28. Woods hose kit attaches to John Deere PBY kit, which must be purchased from John Deere.
29. Must order hardware package #1013278 for compatibility with Woods 1008 loader.
30. For TYM T330HST, hose kit #1012856 is not compatible with OEM rear remote option.
31. 3-Point hitch arms can be left on when using hose kit #1019008.
32. Rear tire spacing must be set to 44" center with turf and industrial tires.
33. Backhoe may be installed with mid-mower in raised locked position. Remove backhoe to use mid-mower.
34. Not compatible with PTO pump kit. Order hose kit for tractor hydraulics.
35. Some tractors require #1014373 Power Beyond plug. Contact Woods Technical Services or refer to installation manual.
36. Hose kit #1024864 is not compatible with tractor remotes.
37. Approved with the following rear tire sizes: 16.9 x 28, 14.9 x 28 or 16.9 x 24.
38. Tractor PTO safety lock-out does not allow use of PTO pump kit. Order hose kit #1030222 to connect to tractor's hydraulic system.
39. Spacer kit #1019056 must be used if using PTO pump kit.
40. Hose kit #1010605 used with Kubota loaders; hose kit #1010604 used with Woods loaders.
41. Adapter kit #1034178 is required for compatibility with McCormick® L250 loader.
42. Use hose kit #1010595 if using 1006 loader.
43. Must order Kubota wheel spacer kit #B8785 for Kubota B3030 tractor equipped with turf tires.

BACKHOE – TRACTOR MOUNTED

8-foot – BH80-X Groundbreaker-X™

FEATURES:

- Excavator style curved boom
- Two-cylinder swing mechanism
- Woods' unique easy on/easy off 4-point mounting system available for many tractor models **EXCLUSIVE FEATURE**
- Adjustable, high back, cushioned seat
- Large, walk-through operator's platform
- Mountings compatible with 3-point, sub-frames or skid steer
- Construction grade Gannon® buckets **EXCLUSIVE FEATURE**
- 2-year warranty



Specifications:

Tractor Horsepower	20 – 45 hp
Skid Steer Rated Capacity	800 – 1600 lbs.
Digging Depth (2-foot flat bottom)	8 feet, 1/2 inch
Swing Arc	180 degrees
Loading Height	6 feet, 3 inches
Transport Height	6 feet, 10 inches
Reach from Swing Pivot	10 feet, 5 inches
Dipperstick Digging Force	2480 lbs.
Bucket Digging Force	3780 lbs.
Required Hydraulic Flow	5 – 7 gpm
Pressure	2470 psi

WARNING

To avoid hitch failure and possible operator injury, before mounting the BH80-X backhoe to the tractor 3-point hitch, verify that the hitch meets ASAE standards. Also observe the maximum and minimum hitch dimensions described in the safety and assembly sections of the Operator's Manuals. Woods® makes no warranty, implied or otherwise, concerning the structural integrity of any tractor's 3-point hitch or tractor frame housing assembly. Sub-frame kits, listed on the following page, are required for all tractors listed. If tractor is not equipped with front end loader, front end ballast is required for safety and stability. Skid steer mounting kits are required for all skid steers.

NOTE: Includes basic unit only. Does not include bucket or mounting. Order from below to complete.

BH-80-X BASE UNIT	WITHOUT THUMB			WITH FACTORY-INSTALLED MECHANICAL THUMB*			WITH FACTORY-INSTALLED HYDRAULIC THUMB*		
	Part No.	Ship. Wt. (lbs.)	Suggested List Price	Part No.	Ship. Wt. (lbs.)	Suggested List Price	Part No.	Ship. Wt. (lbs.)	Suggested List Price
Orange to match Kubota®/Kioti®	1018250	858	\$ 9,457.00	1018250T	929	\$ 10,246.00	1018250HT	968	\$ 11,329.00
Vibrant Blue to match New Holland®	1018251	858	9,457.00	1018251T	929	10,246.00	1018251HT	968	11,329.00
Red to match Case IH®	1018252	858	9,457.00	1018252T	929	10,246.00	1018252HT	968	11,329.00
Green to match John Deere®	1018253	858	9,457.00	1018253T	929	10,246.00	1018253HT	968	11,329.00
Red to match Massey Ferguson®	1018254	858	9,457.00	1018254T	929	10,246.00	1018254HT	968	11,329.00
Black	1018255	858	9,457.00	1018255T	929	10,246.00	1018255HT	968	11,329.00
Yellow to match Cub Cadet®	1018256	858	9,457.00	1018256T	929	10,246.00	1018256HT	968	11,329.00
Red to match Mahindra®	1018257	858	9,457.00	1018257T	929	10,246.00	1018257HT	968	11,329.00
Blue to match Ford®	1018258	858	9,457.00	1018258T	929	10,246.00	1018258HT	968	11,329.00
Red to match Branson®	1018259	858	9,457.00	1018259T	929	10,246.00	1018259HT	968	11,329.00
Woods® Burnt Orange	1018260	858	9,457.00	1018260T	929	10,246.00	1018260HT	968	11,329.00
Industrial Gray	1018265	858	9,457.00	1018265T	929	10,246.00	1018265HT	968	11,329.00
Tan to match Case®	1018266	858	9,457.00	1018266T	929	10,246.00	1018266HT	968	11,329.00
Red to match McCormick®	1018267	858	9,457.00	1018267T	929	10,246.00	1018267HT	968	11,329.00

* Fits with 16", 18" and 24" buckets.

HEAVY-DUTY GANNON BUCKETS

Part No.	Description	Bucket Capacity (cu. ft.)	Shipping Wt. (lbs.)	Suggested List Price
1014209	9" Bucket	0.77	70	\$ 592.00
1014212	12" Bucket	1.13	80	658.00
1014216	16" Bucket	1.64	95	724.00
1014218	18" Bucket	1.90	100	790.00
1014224	24" Bucket	2.67	125	824.00
1014236	36" Cemetery Bucket (Includes teeth)	2.24	165	986.00
1014236D	36" Ditching Bucket (Without teeth)	2.24	138	790.00

BACKHOE – TRACTOR MOUNTED

8-foot – BH80-X Groundbreaker-X™ (Continued)

MOUNTING KITS – Choose from Group 1 or Group 2 (Some tractors require a backhoe sub-frame as noted below & on the following pages.)

BH80-X BACKHOE REQUIRED TRACTOR SUB-FRAME ORDER REFERENCE LIST

GROUP 1: SUB-FRAME

Tractor Model	Fits Tractor Types				Mount Type	Part No.	Suggested List Price	Hose Kit for Tractor Hydraulics	Hose Kit for Tractor Remotes	OEM Loader Compat.	OEM Mid-Mower Compat.	Woods® Loader Compatible	Mount Ship Wt. (lbs.)	Notes
	2WD	FWA	ROPS	CAB										
AGCO®														
ST28A/ST33A		X	X		4-pt.	1027840	\$ 1,447.00	1020940	N/A	SL44A	N/A	LS84	330	6
ST34A/ST41A		X	X		4-pt.	1013302	1,447.00	1014290	N/A	1525	SM72A	LC96, LC102, 1008, 1009, 1012	310	6, 23, 26
ST35/ST40	X	X	X		4-pt.	1008546	1,447.00	1009575	N/A	1246, 1466	N/A	LC96, LC102, 1008, 1009, 1012	363	6, 19
BRANSON®														
2910/3510/ 3820/4220/4720		X	X		4-pt.	1013500	1,447.00	INCL.	N/A	BL10A, BL20A	N/A	LC96, LC102, LC108, 1009, 1012, 1016	426	6, 23
CASE IH®														
DX29/D33/DX33	X	X	X		4-pt.	1013460	1,315.00	1013484	N/A	LX114	N/A	LC96, LC102, 1008, 1009, 1012	351	6, 12, 14, 23
D35/DX35/D40/ DX40/D45/DX45	X	X	X	X	4-pt.	1025575	2,267.00	1021867	N/A	LX116	N/A	LC96, LC102, LC108, 1009, 1012, 1016	557	6
DX31/DX34		X	X		4-pt.	1013460	1,315.00	1013484	N/A	LX114	N/A	LC96, LC102, 1008, 1009, 1012	351	6, 12, 14, 23
DX48/DX55	X	X	X		4-pt.	1020698	1,846.00	1021923	N/A	LX118	N/A	LC108, LC114, 1020	434	6, 23
Farmall 30B/35B		X	X		4-pt.	1037631	1,226.00	1033675	N/A	L340	N/A	LC96, LC102	350	6
Farmall 31/35		X	X		4-pt.	1013460	1,315.00	1013484	N/A	L340	N/A	LC96, LC102, 1008, 1009, 1012	351	6, 12, 14, 23
Farmall 40/45/50	X	X	X	X	4-pt.	1025575	2,267.00	1021867	N/A	L350, LX116	N/A	LC96, LC102, LC108, 1009, 1012, 1016	557	6
Farmall 40B/50B		X	X		4-pt.	1031327	1,904.00	1033779	N/A	L350	N/A	LC96, LC102	418	6
Farmall 45A/55A	X	X	X		4-pt.	1035169	1,843.00	1028352	N/A	615TL, L530	N/A	LC108, LC114	440	6
Farmall 55/60		X	X	X	4-pt.	1020698	1,846.00	1021923	N/A	L360	N/A	LC108, LC114	434	6
CHALLENGER®														
MT255B		X	X		4-pt.	1027840	1,447.00	1020940	N/A	ML20B	N/A	LS84	330	6
MT265B/MT275B		X	X		4-pt.	1013302	1,447.00	1014290	N/A	ML30B	72"	LC96, LC102, 1008, 1009, 1012	310	6, 23, 26
CUB CADET®														
7260/7265/7274/ 7275/7300/7305	X	X	X		Sub-frame	1002774	1,118.00	1002782	N/A	476	N/A	LC96, LC102, 1009, 1012	228	6
7360		X	X		Sub-frame	1002749	1,004.00	1002775	N/A	485	N/A	LC96, LC102, 1009, 1012	233	6
7530/7532		X	X		4-pt.	1011352	1,708.00	1011374	N/A	590-833	N/A	LC96, LC102, 1008	293	6
8354	X	X	X		Sub-frame	46339	1,182.00	1003179	N/A	N/A	N/A	LC96, LC102, LC108, 1009, 1012, 1016	357	20

Reference list continued on following page.
See NOTES on page BH28.

BACKHOE – TRACTOR MOUNTED

8-foot – BH80-X Groundbreaker-X™ (Continued)

BH80-X BACKHOE REQUIRED TRACTOR SUB-FRAME ORDER REFERENCE LIST (Continued)

GROUP 1: SUB-FRAME (Continued)

Tractor Model	Fits Tractor Types				Mount Type	Part No.	Suggested List Price	Hose Kit for Tractor Hydraulics	Hose Kit for Tractor Remotes	OEM Loader Compat.	OEM Mid-Mower Compat.	Woods® Loader Compatible	Mount Ship Wt. (lbs.)	Notes
	2WD	FWA	ROPS	CAB										
CUB CADET® (Continued)														
8404		X	X		Sub-frame	1004327	\$ 1,447.00	1003179	N/A	N/A	N/A	LC96, LC102, LC108, 1009, 1012, 1016	338	6
8454		X	X		Sub-frame	1002631	1,182.00	1003179	N/A	N/A	N/A	LC96, LC102, LC108, 1009, 1012, 1016	291	15
8454SS	X	X	X		4-pt.	1011025	1,512.00	1003179	N/A	642	N/A	1009, 1012, 1016	392	6
CUB CADET®/YANMAR®														
EX2900/EX3200		X	X		4-pt.	1027810	1,489.00	1027815	N/A	CL300	N/A	LS84, LC96	300	6
FORD® & NEW HOLLAND®														
1310/1510/1710		X	X		Sub-frame	1002675	1,182.00	N/A	N/A	770A, 770B	N/A	LC96, LC102, 1009, 1012, 1016	205	6
1320/1520/1620/1715		X	X		Sub-frame	1016316	1,545.00	N/A	N/A	7108, 7308	N/A	LC96, LC102, 1009, 1012	250	5
1530/1630/1725/1925/TC25/TC29/TC29D/TC30/TC33/TC33D	X	X	X		Sub-frame	1001560	1,447.00	N/A	N/A	7308, 14LA	N/A	LC96, LC102, 1008, 1009, 1012	255	6, 7, 12, 14
1720	X	X	X		Sub-frame	1016316	1,545.00	N/A	N/A	7108, 7308	N/A	LC96, LC102, 1009, 1012, 1016	250	5
1910	X	X	X		Sub-frame	1002666	1,182.00 (MTO*)	N/A	N/A	770A, 770B	N/A	LC96, LC102, 1009, 1012, 1016	210	6
1920	X	X	X		Sub-frame	1000407	1,380.00	N/A	N/A	7108, 7308	N/A	LC96, LC102, LC108, 1009, 1012, 1016	250	11
Boomer 30/35		X	X		4-pt.	1037631	1,226.00	1033675	N/A	240TL	N/A	LC96, LC102	350	6
Boomer 40/50		X	X		4-pt.	1031327	1,904.00	1033779	N/A	250TL	N/A	LC96, LC102	418	6
Boomer 3040/3045/3050, 8n (CVT only)		X	X	X	4-pt.	1033083	2,267.00	1032375	N/A	250TL	N/A	LC96, LC102, LC108	480	6, 10
Boomer 3040/3045/3050 (Except CVT)	X	X	X	X	4-pt.	1025575	2,267.00	1021867	N/A	250TL, 260TL	N/A	LC96, LC102, LC108	557	6, 10
T1510/T1520		X	X		4-pt.	1022120	1,545.00	1013484	N/A	7308, 110TL	914A	LS84, LC96, LC102	370	6, 23
T1530		X	X		4-pt.	1032936	2,267.00	1021867	N/A	250TL	N/A	LC96, LC102	473	6
T2210/T2220/TC29DA/TC33DA	X	X	X		4-pt.	1013460	1,315.00	1013484	N/A	14LA	914A	LC96, LC102, 1009, 1012	351	6, 23
T2310/T2320/T2330	X	X	X	X	4-pt.	1025575	2,267.00	1021867	N/A	16LA, 17LA, 250TL, 260TL	N/A	LC96, LC102, LC108, 1009, 1012, 1016	557	6
T2410/T2420		X	X	X	4-pt.	1020698	1,846.00	1021923	N/A	270TL	N/A	LC108, LC114	434	6
TC30		X	X		4-pt.	1026840	1,489.00	1013484	N/A	7308	N/A	LC96, LC102	375	6, 23
TC31DA/TC34DA		X	X		4-pt.	1013460	1,315.00	1013484	N/A	14LA	N/A	LC96, LC102, 1008, 1009, 1012	351	6, 23

* MTO: Made-to-order. Please contact Customer Services for availability dates.

Reference list continued on following page.
See NOTES on page BH28.

BACKHOE – TRACTOR MOUNTED

8-foot – BH80-X Groundbreaker-X™ (Continued)

BH80-X BACKHOE REQUIRED TRACTOR SUB-FRAME ORDER REFERENCE LIST (Continued)

GROUP 1: SUB-FRAME (Continued)

Tractor Model	Fits Tractor Types				Mount Type	Part No.	Suggested List Price	Hose Kit for Tractor Hydraulics	Hose Kit for Tractor Remotes	OEM Loader Compat.	OEM Mid-Mower Compat.	Woods® Loader Compatible	Mount Ship Wt. (lbs.)	Notes
	2WD	FWA	ROPS	CAB										
FORD® & NEW HOLLAND® (Continued)														
TC35/TC35A/ TC35D/TC35DA/ TC40/TC40A/ TC40D/TC40DA/ TC45/TC45A/ TC45D/TC45DA	X	X	X		4-pt.	1025575	\$ 2,267.00	1021867	N/A	16LA, 17LA, 250TL, 260TL	N/A	LC96, LC102, LC108, 1009, 1012, 1016	557	6, 10
TC48DA/TC55DA	X	X	X		4-pt.	1020698	1,846.00	1021923	N/A	18LA	N/A	LC108, LC114, 1020	434	6, 23
Workmaster 45/55	X	X	X		4-pt.	1035169	1,843.00	1028352	N/A	615TL, L530	N/A	LC108, LC114	440	6
JOHN DEERE®														
750		X	X		Sub-frame	1016317	1,775.00	N/A	N/A	JD70	N/A	LC96, LC108	196	1
790/3005		X	X		Sub-frame	1001770	1,118.00	N/A	46013	JD70, 300, 419	N/A	LS84, 1006	235	2, 8, 25, 35
850/950/1050		X	X		Sub-frame	1016324	1,348.00 (MTO*)	N/A	N/A	JD75	N/A	LC96, LC102, LC108, 1009, 1012, 1016	212	3
855/955		X	X		Sub-frame	1016537	1,971.00 (MTO*)	N/A	N/A	JD70A	N/A	LS72 (855), 1006	266	
870/970/1070		X	X		Sub-frame	9402	1,643.00	N/A	N/A	JD80, JD430	N/A	LC96, LC102, LC108, 1009, 1012, 1016	245	4
990		X	X		Sub-frame	9402	1,643.00	N/A	N/A	JD430	N/A	LC96, LC102, LC108, 1009, 1012, 1016	245	6
3120/3320/ 3520/3720		X	X		4-pt.	1019001	1,315.00	1019008	N/A	300X, 300CX	N/A	LC96, LC102, 1009, 1012	279	6, 28, 29, 39
3120/3320/ 3520/3720		X		X	4-pt.	1019000	1,315.00	1019008	N/A	300X, 300CX	N/A	1009, 1012	276	6, 28, 29, 39
3203		X	X		4-pt.	1021970	1,487.00	1019008	N/A	300	N/A	LC96, LC102, 1009, 1012	290	6, 28, 29
4120/4320/ 4520/4720	X	X	X	X	4-pt.	1021870	1,613.00	1012370	N/A	400X	N/A	LC96, LC102, LC108, LC114, 1009, 1012, 1016	379	6
4200/4300/4400		X	X		Sub-frame	9865	1,053.00	N/A	N/A	420, 430	N/A	LC96, LC102, 1009, 1012	183	
4210/4310/4410		X	X		Sub-frame	1007253	1,118.00	N/A	N/A	420, 430	N/A	LC96, LC102, 1009, 1012	210	
4500/4600/4700		X	X		Sub-frame	59747	1,447.00 (MTO*)	N/A	N/A	430, 460	N/A	LC96, LC102, LC108, 1009, 1012, 1016	239	
KIOTI®														
CK25/CK30		X	X		4-pt.	1011425	1,447.00	1011447	N/A	KL130	N/A	LC96, LC102, 1009, 1012	263	6
CK35		X	X		4-pt.	1011425	1,447.00	1011447	N/A	KL130	N/A	LC96, LC102, 1009, 1012	263	6, 23
DK35		X	X		Sub-frame	46339	1,182.00	1003179	N/A	N/A	N/A	LC96, LC102, LC108, 1009, 1012, 1016	357	6
DK35SE	X	X	X		4-pt.	1025441	1,564.00	1025421	N/A	KL351	N/A	LC96, LC102, LC108	387	6

* MTO: Made-to-order. Please contact Customer Services for availability dates.

Reference list continued on following page.
See NOTES on page BH28.

BACKHOE – TRACTOR MOUNTED

8-foot – BH80-X Groundbreaker-X™ (Continued)

BH80-X BACKHOE REQUIRED TRACTOR SUB-FRAME ORDER REFERENCE LIST (Continued)

GROUP 1: SUB-FRAME (Continued)

Tractor Model	Fits Tractor Types				Mount Type	Part No.	Suggested List Price	Hose Kit for Tractor Hydraulics	Hose Kit for Tractor Remotes	OEM Loader Compat.	OEM Mid-Mower Compat.	Woods® Loader Compatible	Mount Ship Wt. (lbs.)	Notes
	2WD	FWA	ROPS	CAB										
KIOTI® (Continued)														
DK40		X	X		Sub-frame	1004327	\$ 1,447.00	1003179	N/A	KL1470	N/A	LC96, LC102, LC108, 1009, 1012, 1016	338	6
DK40SE/DK45SE/DK50SE	X	X	X		4-pt.	1025400	1,840.00	1025421	N/A	KL401	N/A	LC108, LC114	436	6
DK45/DK50		X	X		Sub-frame	1002631	1,182.00	1003179	N/A	N/A	N/A	LC96, LC102, LC108, 1009, 1012, 1016	291	15
DK45/DK50		X	X		4-pt.	1011025	1,512.00	1003179	N/A	KL1470	N/A	LC96, LC102, LC108, 1009, 1012, 1016	392	6
DK45S		X	X	X	4-pt.	1022085	1,705.00	1009756	N/A	KL451, KL1470, KL1590	N/A	LC96, LC102, LC108, LC114	435	6, 23
DK55		X	X	X	4-pt.	1009700	1,512.00	1009756	N/A	KL1595	N/A	LC108, LC114	397	6
LK3054		X	X		Sub-frame	1016533	1,493.00	N/A	N/A	N/A	N/A	LC96, LC102, 1009, 1012	360	
KUBOTA®														
B2630/B3030		X	X		4-pt.	1014301	1,315.00	1014454	N/A	LA403	RCK60-30B	LS84, 1006, 1008	266	6, 23, 38
B2710/B2910/B7800	X	X	X		4-pt.	1012619	1,447.00	1010894	N/A	LA402	RCK60-27B	LS84, 1006, 1008	392	6, 31
B3000		X		X	4-pt.	1034785	1,814.00	1034794	N/A	LA403	N/A	N/A	397	6
B3200		X	X		4-pt.	1031725	1,753.00	INCL.	N/A	LA504	RCK60-29B	LS84	372	6
B3030		X		X	4-pt.	1016331	1,315.00	1016359	N/A	LA403	RCK60-30B	LS84, 1006, 1008	307	6, 23, 38
B3300SU		X	X		4-pt.	1031725	1,753.00	INCL.	N/A	LA504	N/A	LS84	372	6
L2050/L2350/L2500		X	X		Sub-frame	1016318	1,315.00	N/A	N/A	LA450S, LB400	N/A	LC96, LC102, 1009, 1012	251	
L2550/L2650/L2850/L2950		X	X		Sub-frame	1016323	1,315.00	N/A	N/A	BF400G, BF500	N/A	LC96, LC102, LC108, 1009, 1012, 1016	211	
L2600/L3000	X	X	X		Sub-frame	1001363	1,348.00	N/A	N/A	LA450S, LB402	N/A	LC96, LC102, 1009, 1012	242	
L2800/L3400	X	X	X		4-pt.	1033674	1,523.00	1010604 or 1010605	N/A	LA463	N/A	LC96, LC102	282	6, 36
L2900/L3300/L3010/L3410	X	X	X	X	Sub-frame	1001198	1,578.00	N/A	N/A	LA480, LA481	RC72-29A	LC96, LC102, LC108, 1009, 1012, 1016	338	13
L3130/L3430/L3830	X	X	X		4-pt.	1006863	1,775.00	1006901	N/A	LA513, LA723	RC72-38	LC96, LC102, LC108, 1008 (N/A on L3830), 1009, 1012, 1016	322	16, 17
L3130HST/L3430HST/L3830HST	X	X	X		4-pt.	1006863	1,775.00	1006901	N/A	LA513, LA723	RC72-38	LC96, LC102, LC108, 1008, 1009, 1012, 1016	322	16, 17
L3200/L3800	X	X	X		4-pt.	1033674	1,523.00	1010604 or 1010605	N/A	LA463, LA524	N/A	LC96, LC102	282	6, 36
L3240/L3540	X	X	X		4-pt.	1025691	1,495.00	1024864	46561	LA514, LA724	RC72-38	LC96, LC102, LC108, 1009, 1012	324	6, 16, 33

Reference list continued on following page.
See NOTES on page BH28.

BACKHOE – TRACTOR MOUNTED

8-foot – BH80-X Groundbreaker-X™ (Continued)

BH80-X BACKHOE REQUIRED TRACTOR SUB-FRAME ORDER REFERENCE LIST (Continued)

GROUP 1: SUB-FRAME (Continued)

Tractor Model	Fits Tractor Types				Mount Type	Part No.	Suggested List Price	Hose Kit for Tractor Hydraulics	Hose Kit for Tractor Remotes	OEM Loader Compat.	OEM Mid-Mower Compat.	Woods® Loader Compatible	Mount Ship Wt. (lbs.)	Notes
	2WD	FWA	ROPS	CAB										
KUBOTA® (Continued)														
L3240/L3540 Series 1		X		X	4-pt.	1025675	\$ 1,463.00	1024864	46561	LA514, LA724	RC72-38	LC96, LC102, LC108, 1009, 1012	348	6, 30, 33
L3240/L3540 Series 3		X		X	4-pt.	1032395	1,463.00	1024864	46561	LA514, LA724	RC72-38	LC96, LC102, LC108	340	6, 16, 30, 33
L3430	X	X		X	4-pt.	1007329	1,545.00	1006901	N/A	LA513, LA723	RC72-38	LC96, LC102, LC108, 1008, 1009, 1012, 1016	340	
L3600/L4200/L3710/L4310	X	X	X	X	Sub-frame	1001198	1,578.00	N/A	N/A	LA680, LA681	N/A	LC96, LC102, LC108, 1009, 1012, 1016	338	13
L3700SU		X	X		4-pt.	1033674	1,523.00	1010604 or 1010605	N/A	LA463	N/A	LC96, LC102	282	6, 36
L3940		X	X		4-pt.	1024875	1,523.00	1024864	46561	LA724, LA854	RC72-38	LC96, LC102, LC108, 1009, 1012	324	6, 16, 33
L3940 Series 1		X		X	4-pt.	1025432	1,429.00	1024864	46561	LA724, LA854	RC72-38	LC96, LC102, LC108, 1009, 1012	318	6, 30, 33
L3940-3/L4240-3/L4740-3		X		X	4-pt.	1032925	1,523.00	1024864	46561	LA724, LA854	N/A	LC96, LC102, LC108, LC114	313	6
L4240/L4740/L5040/L5240/L5740		X	X		4-pt.	1024875	1,523.00	1024864	46561	LA854	N/A	LC108, LC114	324	6, 16, 33
L4240/L4740 Series 1		X		X	4-pt.	1025432	1,429.00	1024864	46561	LA854	N/A	LC108, LC114	318	6, 33
L4300		X	X		Sub-frame	1001198	1,578.00	N/A	N/A	LA682, LB552	N/A	LC96, LC102, LC108, 1009, 1012, 1016	338	
L4330/L4630	X	X	X		4-pt.	1006863	1,775.00	1006901	N/A	LA853	N/A	LC96, LC102, LC108, LC114, 1009, 1012, 1016, 1020	322	16
L4330/L4630	X	X		X	4-pt.	1007398	1,447.00	1006901	N/A	LA853	N/A	LC96, LC102, LC108, LC114, 1009, 1012, 1016, 1020	309	
L4400 Gear & HST	X	X	X		4-pt.	1013165	1,578.00	1006901	N/A	LA703	N/A	LC96, LC102, LC108	482	6, 34
L4600		X	X		4-pt.	1036180	1,290.00	1006901	46561	LA764	N/A	LC102, LC108, LC114	374	6
L4610		X	X		Sub-frame	1000554	1,676.00	N/A	N/A	LA852	N/A	LC96, LC102, LC108, 1009, 1012, 1016	321	9, 10
L5030	X	X	X		4-pt.	1007198	1,775.00	1006901	N/A	LA853	N/A	LC96, LC102, LC108, LC114, 1009, 1012, 1016, 1020	306	16
L5030	X	X		X	4-pt.	1007365	1,447.00	1006901	N/A	LA853	N/A	LC96, LC102, LC108, LC114, 1009, 1012, 1016, 1020	301	

Reference list continued on following page.
See NOTES on page BH28.

BACKHOE – TRACTOR MOUNTED

8-foot – BH80-X Groundbreaker-X™ (Continued)

BH80-X BACKHOE REQUIRED TRACTOR SUB-FRAME ORDER REFERENCE LIST (Continued)

GROUP 1: SUB-FRAME (Continued)

Tractor Model	Fits Tractor Types				Mount Type	Part No.	Suggested List Price	Hose Kit for Tractor Hydraulics	Hose Kit for Tractor Remotes	OEM Loader Compat.	OEM Mid-Mower Compat.	Woods® Loader Compatible	Mount Ship Wt. (lbs.)	Notes
	2WD	FWA	ROPS	CAB										
KUBOTA® (Continued)														
L5240/L5740 HSTC-3		X		X	4-pt.	1033470	\$ 1,368.00	1024864	46561	LA854	N/A	LC108, LC114	321	6, 33
L5240/L5740 Series 1		X		X	4-pt.	1025424	1,429.00	1024864	46561	LA854	N/A	LC108, LC114	318	6, 33
MX5000	X	X	X		Sub-frame	1004624	1,447.00	N/A	N/A	LA702, LA852-1	N/A	LC96, LC102, LC108, 1009, 1012, 1016	355	
MX5100	X	X	X		4-pt.	1029000	1,864.00	1029004	N/A	LA844	N/A	LC108, LC114	350	6
LONG®														
280/360		X	X		Sub-frame	46506	1,182.00 (MTO*)	N/A	46568	N/A	N/A	LC96, LC102, LC108, 1009, 1012, 1016	216	
MAHINDRA®														
2615/3015	X	X	X		Sub-frame	1011488	1,118.00	1002782	N/A	ML106	N/A	LC96, LC102, 1009, 1012	243	6
2810HST/3510HST		X	X		4-pt.	1013250	1,447.00	1012856	N/A	ML108	MM2872	LC96, LC102, 1009, 1012	281	6
2815/3215		X	X		4-pt.	1020616	1,315.00	1020631	N/A	ML111	WMM1560	LC96, LC102	250	7
3510/4110		X	X		4-pt.	1012825	1,447.00	1012856	N/A	ML112	N/A	LC96, LC102, LC108, 1009, 1012, 1016	411	6
3525	X		X		4-pt.	1014140	1,118.00	N/A	N/A	ML230	N/A	LC96, LC102, LC108, 1009, 1012, 1016	246	22
4500	X	X	X		4-pt.	1010390	1,643.00	N/A	N/A	ML245	N/A	LU126, 1020, 1027	439	21, 22
MASSEY FERGUSON®														
1240/1250/1260		X	X		Sub-frame	1016527	1,971.00	N/A	N/A	1246	N/A	1009, 1012	272	
1428V		X	X		4-pt.	1007222	1,643.00	1007248	N/A	1464	N/A	1008	286	18, 24
1429/1433/1433V/1440/1440V	X	X	X		Sub-frame	1006159	1,118.00	N/A	N/A	1246, 1466	N/A	LC96, LC102, 1008, 1009, 1012	260	
1433/1433V/1440/1440V	X	X	X		4-pt.	1008546	1,447.00	1009575	N/A	1246, 1466	N/A	LC96, LC102, 1008, 1009, 1012	363	6, 19
1528/1531		X	X		4-pt.	1027840	1,447.00	1020940	N/A	1520	N/A	LS84	330	6
1533/1540		X	X		4-pt.	1013302	1,447.00	1014290	N/A	1525	1505	LC96, LC102, 1008, 1009, 1012	310	6, 23, 26, 32
1635/1643		X	X		4-pt.	1013302	1,447.00	1014290	N/A	DL120	N/A	LC96, LC102	310	6, 23
MCCORMICK®														
GX40/GX45	X	X	X		4-pt.	1010612	1,447.00	1010898	N/A	N/A	N/A	1009, 1012	307	
X10.30/X10.35		X	X		4-pt.	1034190	1,447.00	1011447	N/A	L10.84, L10.96, L220	N/A	LC96, LC102	TBD	6, 23
X10.40/X10.50		X	X	X	4-pt.	1033870	1,579.00	1025421	N/A	L10.102, L10.108	N/A	LC96, LC102, LC108	475	6
X10.55		X	X	X	4-pt.	1009700	1,512.00	1009756	N/A	L10.108, L10.114, L250	N/A	LC108, LC114	397	6, 37

* MTO: Made-to-order. Please contact Customer Services for availability dates.

Reference list continued on following page.
See NOTES on page BH28.

BACKHOE – TRACTOR MOUNTED

8-foot – BH80-X Groundbreaker-X™ (Continued)

BH80-X BACKHOE REQUIRED TRACTOR SUB-FRAME ORDER REFERENCE LIST (Continued)

GROUP 1: SUB-FRAME (Continued)

Tractor Model	Fits Tractor Types				Mount Type	Part No.	Suggested List Price	Hose Kit for Tractor Hydraulics	Hose Kit for Tractor Remotes	OEM Loader Compat.	OEM Mid-Mower Compat.	Woods® Loader Compatible	Mount Ship Wt. (lbs.)	Notes
	2WD	FWA	ROPS	CAB										
MONTANA®														
2740/3240		X	X		4-pt.	1021900	\$ 1,520.00	1021963	N/A	100	N/A	LC96, LC102	300	7
TYM®														
T330HST		X	X		4-pt.	1013250	1,447.00	1012856	N/A	YES	N/A	LC96, LC102, 1009, 1012	281	6, 27
YANMAR®														
220/226/ 276/336		X	X		Sub-frame	1016317	1,775.00	N/A	N/A	N/A	N/A	N/A	196	

See NOTES on page BH28.

GROUP 2: 3-POINT & 3RD POINT BRACKETS

Part No.	Description	Shipping Wt. (lbs.)	Suggested List Price
1012552	Woods® SAF-T-LOK® 3-pt. hitch mounting kit	104	\$ 592.00

REQUIRED 3RD POINT BRACKETS

9032	Top link bracket required in addition to 3-pt. mounting on Ford® 2600-3600	12	\$ 265.00
51905	Top link lock bracket required in addition to 3-pt. mounting on Mahindra 485/575	2	93.00
1006830	Top link bracket required in addition to 3-pt. mounting on Kubota® L2800, L3130, L3240, L3400, L3430, L3540, L3830, L3940, L4240, L4330, L4630, L4740, L5030 (ROPS only), L5040, L5240, L5740 NOTE: 4-pt. sub-frame mounting also available (see pages BH20 - BH28)	9	146.00
1011021	Top link bracket required in addition to 3-pt. mounting on Massey Ferguson® 431	22	66.00

NOTE: 3rd point bracket kit is REQUIRED to 3-point mount the BH80-X Backhoe on the tractors listed above. All other tractors must be equipped with original high-strength top link pin with minimum 3/4-inch diameter.

OPTIONAL HYDRAULICS

Part No.	Description	Shipping Wt. (lbs.)	Suggested List Price
1012558	6 gpm Pump Kit – comes with 540 PTO driven pump, reservoir, hoses, filter, and fittings	60	\$ 1,150.00
OR			
46561	Hose Kit – reference mounting kit 1024875/1025424/1025432/1025675/1025691/1032395/1032925/1036180	6	168.00
46568	Hose Kit – reference mounting kit 46506	5	132.00
1002775	Hose Kit – reference mounting kit 1002749	8	265.00
1002782	Hose Kit – reference mounting kit 1002774/1011488	10	265.00
1003178	Hose Kit – reference mounting kit 46339	9	265.00
1003179	Hose Kit – reference mounting kit 46339/1002631/1004327/1011025	9	370.00
1006901	Hose Kit – reference mounting kit 1006863/1007198/1007329/1007365/1007398/1013165/1036180	14	394.00
1007189	Hose Kit – reference mounting kit 1006863	9	265.00
1007248	Hose Kit – reference mounting kit 1007222	9	265.00
1009575	Hose Kit – reference mounting kit 1008546	10	330.00
1009756	Hose Kit – reference mounting kit 1009700	7	265.00
1010604	Hose Kit – reference mounting kit 1033674	11	330.00
1010605	Hose Kit – reference mounting kit 1033674	12	330.00
1010894	Hose Kit – reference mounting kit 1012619	10	265.00
1010898	Hose Kit – reference mounting kit 1010612	10	265.00

BACKHOE – TRACTOR MOUNTED

8-foot – BH80-X Groundbreaker-X™ (Continued)

OPTIONAL HYDRAULICS (Continued)

Part No.	Description	Shipping Wt. (lbs.)	Suggested List Price
1011374	Hose Kit – reference mounting kit 1011352	10	\$ 330.00
1011447	Hose Kit – reference mounting kit 1011425/1034190	10	361.00
1012370	Hose Kit – reference mounting kit 1021870	10	276.00
1012856	Hose Kit – reference mounting kit 1012825/1013250	10	265.00
1013484	Hose Kit – reference mounting kit 1001560/1013460/1022120/1026840	12	318.00
1014290	Hose Kit – reference mounting kit 1013302	8	238.00
1014454	Hose Kit – reference mounting kit 1014301	13	265.00
1016359	Hose Kit – reference mounting kit 1016331	13	231.00
1019008	Hose Kit – reference mounting kit 1019000/1019001/1021970	10	361.00
1020631	Hose Kit – reference mounting kit 1020616	10	265.00
1020940	Hose Kit – reference mounting kit 1027840	9	265.00
1021867	Hose Kit – reference mounting kit 1025575/1032936	10	361.00
1021923	Hose Kit – reference mounting kit 1020698	15	330.00
1021963	Hose Kit – reference mounting kit 1021900	15	230.00
1024864	Hose Kit – reference mounting kit 1024875/1025424/1025432/1025675/1025691/1032395/1032925/1033470	13	449.00
1025421	Hose Kit – reference mounting kit 1025400/1025441/1033870	7	302.00
1027815	Hose Kit – reference mounting kit 1027810	8	298.00
1028352	Hose Kit – reference mounting kit 1035169	11	347.00
1029004	Hose Kit – reference mounting kit 1029000	13	394.00
1032375	Hose Kit – reference mounting kit 1033083	13	449.00
1033675	Hose Kit – reference mounting kit 1037631	12	298.00
1033779	Hose Kit – reference mounting kit 1031327	12	469.00
1034794	Hose Kit – reference mounting kit 1034785	TBD	264.00

THUMB KITS (Dealer-Installed)

1015100	Dealer-Installed Mechanical Thumb Kit (Fits with 16", 18" and 24" buckets)	95	\$ 790.00
1031115	Conversion Kit for Hydraulic Thumb with Mechanical Thumb Installed (Includes auxiliary hydraulic 7th function valve, hydraulic cylinder and hoses)	40	1,463.00
1031100	Complete Hydraulic Thumb Kit (Includes auxiliary hydraulic 7th function kit plus thumb, pins, hydraulic cylinder, hoses and quick couplers)	145	1,872.00

MISCELLANEOUS ACCESSORIES/KITS

37994	Mounting Bracket (See note 13 on page BH28)	18	▲
51962	Reinforcement Kit (See note 5 on page BH28)	9	\$ 194.00
1001761	Optional Tool Box Kit (See note 12 on page BH28)	7	73.00
1006610KT	Street Pad Kit	10	198.00
1019056	Spacer Kit (See note 35 on page BH28)	31	202.00
1034178	Adapter Kit (See note 37 on page BH28)	10	154.00

BACKHOE – TRACTOR MOUNTED**8-foot – BH80-X Groundbreaker-X™ (Continued)****NOTES:**

1. Due to inadequate ROPS clearance, special John Deere® ROPS #AM102772 is required for JD750; order from John Deere.
2. Due to inadequate ROPS clearance, special John Deere ROPS #AM107212 is required; order from John Deere.
3. Due to inadequate ROPS clearance, special John Deere ROPS #AM104044 is required; order from John Deere.
4. Tractor must be equipped with JD80, JD430 or Woods® loader.
5. For 1320, 1520, 1620 and 1715 – also order #51962 reinforcement kit. For 155/165 loader only (not needed with OEM loader).
6. Tractor must be equipped with Woods or OEM loader.
7. Super Steer front axle compatible.
8. When using Woods model LS84 or 1006 loader, order #1006363.
9. Will fit cab and non-cab tractors.
10. Not recommended for installation on tractors with 41/18LL x 16.1 rear Galaxy® turf tires.
11. To be used with Woods loader mount #111758.
12. Optional tool box mounting bracket available; order #1001761.
13. If using Woods loader mounting kit #111747; order mounting bracket #37994.
14. When using OEM loader or Woods 1008 loader, Woods kit #1001698 is required. Order separately.
15. Tractor must be equipped with Woods loader.
16. Woods SAF-T-LOK® 3-point hitch mounting may be used instead. Refer to #1006830 Top Link Bracket Kit – Mounting Kits, Group 1: 3-POINT.
17. If not using optional 6 gpm hydraulic PTO pump #1012558, use hose kit #1007189 to connect to Woods 1008 loader only.
18. Requires hose kit #1007248 to connect to tractor's hydraulic system. Pump kit not available.
19. Tractor PTO safety lock-out does not allow use of PTO pump kit. Order hose kit #1009575 to connect to tractor's hydraulic system.
20. Hose kit #1003179 required when Woods loader. With use of hose kit #1003178, backhoe can be used without any loader.
21. This mount only fits tractors with wet disc brakes.
22. PTO pump kit #1012558 is required.
23. When using PTO pump kit #1012558, 3-point arms must be removed.
24. Will fit only with AG tires; does not fit with industrial or turf tires because tire spacing cannot be adjusted.
25. Woods hose kit attaches to John Deere PBY kit, which must be purchased from John Deere.
26. Must order hardware package #1013278 for compatibility with Woods 1008 loader.
27. For TYM T330HST, hose kit #1012856 is not compatible with OEM rear remote option.
28. 3-Point hitch arms can be left on when using hose kit #1019008.
29. Rear tire spacing must be set to 44" center with turf and industrial tires.
30. Backhoe may be installed with mid-mower in raised locked position. Remove backhoe to use mid-mower.
31. Not compatible with PTO pump kit. Order hose kit for tractor hydraulics.
32. Some tractors require #1014373 Power Beyond plug. Contact Woods Technical Services or refer to installation manual.
33. Hose kit #1024864 is not compatible with tractor remotes.
34. Approved with the following rear tire sizes: 16.9 x 28, 14.9 x 28 or 16.9 x 24.
35. Spacer kit #1019056 must be used if using PTO pump kit.
36. Hose kit #1010605 used with Kubota® loaders; hose kit #1010604 used with Woods loaders.
37. Adapter kit #1034178 is required for compatibility with McCormick® L250 loader.
38. Must order Kubota wheel spacer kit #B8785 for Kubota B3030 tractor equipped with turf tires.
39. Not compatible with John Deere electro-hydraulic third function valve.

BACKHOE – TRACTOR MOUNTED

9-foot – BH90-X Groundbreaker-X™

FEATURES:

- Two lever operating controls
- Woods' unique easy on/easy off 4-point ◀ **EXCLUSIVE FEATURE** mounting system – no tools required
- High back seat
- Wide stance stabilizer arms with flip-over cast pad (Street and claw)
- Replaceable bushings
- Easy access walk-through design
- Wear rings on all cylinders
- Mountings compatible with 3-point, sub-frames or skid steer
- Construction grade Gannon® buckets ◀ **EXCLUSIVE FEATURE**
- 2-year warranty



Specifications:

Tractor Horsepower	30 – 70 hp
Digging Depth (2-foot flat bottom)	9 feet, 1 inch
Swing Arc	180 degrees
Loading Height	7 feet, 5 inches
Transport Height	8 feet, 1 inch
Reach from Swing Pivot	12 feet, 1 inch
Dipperstick Digging Force	2900 lbs.
Bucket Digging Force	4180/5070 lbs.
Required Hydraulic Flow	9 – 12 gpm
Pressure	2500 psi

WARNING

To avoid hitch failure and possible operator injury, before mounting the BH90-X backhoe to the tractor 3-pt. hitch, verify that the hitch meets ASAE standards. Also observe the maximum and minimum hitch dimensions described in the safety and assembly sections of the Operator's Manuals. Woods® makes no warranty, implied or otherwise, concerning the structural integrity of any tractor's 3-point hitch or tractor frame housing assembly. If tractor is not equipped with front end loader, front end ballast is required for safety and stability.

WARNING: Sub-frame kits listed are required for all tractors listed.

NOTE: Includes basic unit only. Does not include bucket, mounting kit or pump kit. Order from below to complete.

BH-90-X BASE UNIT	WITHOUT THUMB			WITH FACTORY-INSTALLED MECHANICAL THUMB*			WITH FACTORY-INSTALLED HYDRAULIC THUMB*		
	Part No.	Ship. Wt. (lbs.)	Suggested List Price	Part No.	Ship. Wt. (lbs.)	Suggested List Price	Part No.	Ship. Wt. (lbs.)	Suggested List Price
Orange to match Kubota®/Kioti®	1018270	1365	\$ 11,036.00	1018270T	1420	\$ 12,086.00	1018270HT	1462	\$ 14,188.00
Vibrant Blue to match New Holland®	1018271	1365	11,036.00	1018271T	1420	12,086.00	1018271HT	1462	14,188.00
Red to match Case IH®	1018272	1365	11,036.00	1018272T	1420	12,086.00	1018272HT	1462	14,188.00
Green to match John Deere®	1018273	1365	11,036.00	1018273T	1420	12,086.00	1018273HT	1462	14,188.00
Red to match Massey Ferguson®	1018274	1365	11,036.00	1018274T	1420	12,086.00	1018274HT	1462	14,188.00
Universal Black	1018275	1365	11,036.00	1018275T	1420	12,086.00	1018275HT	1462	14,188.00
Yellow to match Cub Cadet®	1018276	1365	11,036.00	1018276T	1420	12,086.00	1018276HT	1462	14,188.00
Red to match Mahindra®	1018277	1365	11,036.00	1018277T	1420	12,086.00	1018277HT	1462	14,188.00
Blue to match Ford®-New Holland	1018278	1365	11,036.00	1018278T	1420	12,086.00	1018278HT	1462	14,188.00
Red to match Branson®	1018279	1365	11,036.00	1018279T	1420	12,086.00	1018279HT	1462	14,188.00
Green to match Montana	1018281	1365	11,036.00	1018281T	1420	12,086.00	1018281HT	1462	14,188.00
Industrial Gray	1018285	1365	11,036.00	1018285T	1420	12,086.00	1018285HT	1462	14,188.00
Red to match McCormick®	1018287	1365	11,036.00	1018287T	1420	12,086.00	1018287HT	1462	14,188.00

* Fits with 16", 18" and 24" buckets.

HEAVY-DUTY GANNON BUCKETS

Part No.	Description	Bucket Capacity (cu. ft.)	Ship. Wt. (lbs.)	Suggested List Price	Part No.	Description	Bucket Capacity (cu. ft.)	Ship. Wt. (lbs.)	Suggested List Price
1020212	12" Bucket	1.64	123	\$ 824.00	1020224	24" Bucket	3.72	178	\$ 1,118.00
1020216	16" Bucket	2.37	144	921.00	1020236	36" Cemetery Bkt. (Incl. teeth)	3.93	220	1,315.00
1020218	18" Bucket	2.58	146	986.00	1020236D	36" Ditching Bkt. (W/out teeth)	3.93	193	986.00

WAIN-ROY® XLS COUPLER AND BUCKETS**

1026151	1/8 Yard XLS Coupler	—	70	\$ 906.00	4473318	18" XLS Bucket	2.80	190	\$ 842.00
4473312	12" XLS Bucket	1.60	160	743.00	4473320	20" XLS Bucket	3.20	206	891.00
4473316	16" XLS Bucket	2.40	176	804.00	4473324	24" XLS Bucket	4.00	235	941.00

**NOTE: Construction

BACKHOE – TRACTOR MOUNTED

9-foot – BH90-X Groundbreaker-X™ (Continued)

MOUNTING KITS – Choose from Group 1 or Group 2 (Some tractors require a backhoe sub-frame as noted below & on the following pages.)

BH90-X BACKHOE REQUIRED TRACTOR SUB-FRAME ORDER REFERENCE LIST

GROUP 1: SUB-FRAME

Tractor Model	Fits Tractor Types				Mount Type	Part No.	Suggested List Price	Hose Kit for Tractor Hydraulics	Hose Kit for Tractor Remotes	OEM Loader Compat.	OEM Mid-Mower Compat.	Woods® Loader Compatible	Mount Ship Wt. (lbs.)	Notes
	2WD	FWA	ROPS	CAB										
AGCO®														
GT45A/GT55A/ GT65A/GT75A	X	X	X	X	4-pt.	1012392	\$ 1,727.00	1015513	N/A	N/A	N/A	1020, 1027	542	13
ST34A/ST41A		X	X		4-pt.	1013303	1,727.00	1014290	N/A	1525	SM72A	1008, 1009, 1012	378	1, 13, 16
ST35 Gear/ ST40 Gear	X	X	X		4-pt.	1025514	2,334.00	1009575	N/A	SL46	62", 72"	LC96, LC102, 1008, 1009, 1012	430	1, 12
ST35 Hydro/ ST40 Hydro	X	X	X		4-pt.	1008547	2,002.00	1009575	N/A	1246, 1466	N/A	1008, 1009, 1012	430	1, 12
ST47A/ST52A	X	X	X	X	4-pt.	1015440	1,727.00	1015498	N/A	FL48	N/A	LC96, LC102, LC108, LC114, 1009, 1012, 1016	545	17
BRANSON®														
3820/4220/4720		X	X		4-pt.	1013501	1,727.00	INCL.	N/A	BL10A, BL20A	N/A	LC96, LC102, LC108, 1009, 1012, 1016	486	1, 6, 13
CASE IH®														
D35/DX35/D40/ DX40/D45/DX45	X	X	X	X	4-pt.	1025576	2,380.00	1021867	N/A	LX116	N/A	LC96, LC102, LC108, 1009, 1012, 1016	632	1
DX48/DX55	X	X	X		4-pt.	1020699	1,961.00	1021923	N/A	LX118	N/A	LC108, LC114, 1020	514	1, 13
Farmall 40/45/50	X	X	X	X	4-pt.	1025576	2,380.00	1021867	N/A	L350, LX116	N/A	LC96, LC102, LC108, 1009, 1012, 1016	632	1
Farmall 40B/50B		X	X		4-pt.	1031328	2,518.00	1033779	N/A	L350	N/A	LC96, LC102	531	1
Farmall 45A/55A	X	X	X		4-pt.	1036225	2,655.00	1028352	N/A	615TL, L530	N/A	LC108, LC114	TBD	1
Farmall 55/60		X	X		4-pt.	1020699	1,961.00	1021923	N/A	270TL	N/A	LC108, LC114	514	1
Farmall 65A/75A	X	X	X		4-pt.	1028310	2,041.00	1028360	N/A	L540	N/A	LU126	471	1, 23
CHALLENGER														
MT265B/MT275B		X	X		4-pt.	1013303	1,727.00	1014290	N/A	ML30B	72"	1008, 1009, 1012	378	1, 13, 16
MT285B/MT295B	X	X	X	X	4-pt.	1015440	1,727.00	1015498	N/A	FL48	N/A	1009, 1012, 1016	545	17
CUB CADET®														
8454SS		X	X		4-pt.	1011026	1,657.00	1003179	N/A	642	N/A	1009, 1012, 1016	471	1
FORD® & NEW HOLLAND®														
1920		X	X		Sub-frame	46975	1,520.00 (MTO*)	N/A	N/A	N/A	N/A	LC96, LC102, LC108, 1009, 1012, 1016	330	1, 5
2120/3415	X	X	X		Sub-frame	9378	2,216.00 (MTO*)	N/A	N/A	7109, 7309	N/A	LC96, LC102, LC108, LC114, 1009, 1012, 1016, 1020	340	1, 2

Reference list continued on following page.
See NOTES on page BH36.

BACKHOE – TRACTOR MOUNTED

9-foot – BH90-X Groundbreaker-X™ (Continued)

BH90-X BACKHOE REQUIRED TRACTOR SUB-FRAME ORDER REFERENCE LIST (Continued)

GROUP 1: SUB-FRAME (Continued)

Tractor Model	Fits Tractor Types				Mount Type	Part No.	Suggested List Price	Hose Kit for Tractor Hydraulics	Hose Kit for Tractor Remotes	OEM Loader Compat.	OEM Mid-Mower Compat.	Woods® Loader Compatible	Mount Ship Wt. (lbs.)	Notes
	2WD	FWA	ROPS	CAB										
FORD® & NEW HOLLAND® (Continued)														
Boomer 40/50		X	X		4-pt.	1031328	\$ 2,518.00	1033779	N/A	250TL	N/A	LC96, LC102	531	1
Boomer 3040/3045/3050, 8n (CVT only)		X	X	X	4-pt.	1033084	1,930.00	1032375	N/A	250TL	N/A	LC96, LC102, LC108	554	1, 21
Boomer 3040/3045/3050 (Except CVT)	X	X	X	X	4-pt.	1025576	2,380.00	1021867	N/A	250TL, 260TL	N/A	LC96, LC102, LC108	632	1
T1530		X	X		4-pt.	1032937	2,380.00	1021867	N/A	250TL	N/A	LC96, LC102	545	1
T2310/T2320/T2330	X	X	X	X	4-pt.	1025576	2,380.00	1021867	N/A	16LA, 17LA, 250TL, 260TL	N/A	LC96, LC102, LC108, 1009, 1012, 1016	632	1
T2410/T2420		X	X	X	4-pt.	1020699	1,961.00	1021923	N/A	270TL	N/A	LC108, LC114	514	1
TC35/TC35A/TC35D/TC35DA/TC40/TC40A/TC40D/TC40DA/TC45/TC45A/TC45D/TC45DA	X	X	X	X	4-pt.	1025576	2,380.00	1021867	N/A	16LA, 17LA, 250TL, 260TL	N/A	LC96, LC102, LC108, 1009, 1012, 1016	632	1
TC48DA/TC55DA	X	X	X		4-pt.	1020699	1,961.00	1021923		18LA	N/A	LC108, LC114, 1020	514	1, 13
TT45A/TT50A	X		X		4-pt.	1028300	2,423.00	1028352	N/A	610TL	N/A	LC108, LC114	632	1
TT60A/TT75A		X	X		4-pt.	1028310	2,041.00	1028360	N/A	620TL	N/A	LU126	471	1, 24
Workmaster 45/55	X	X	X		4-pt.	1036225	2,655.00	1028352	N/A	615TL, L530	N/A	LC108, LC114	TBD	1
Workmaster 65/75	X	X	X		4-pt.	1028310	2,041.00	1028360	N/A	625TL	N/A	LU126	471	1, 23
JOHN DEERE®														
970/1070		X	X		Sub-frame	9403	2,349.00 (MTO*)	N/A	N/A	JD80, JD430	N/A	LC96, LC102, LC108, 1009, 1012, 1016	298	1
990		X	X		Sub-frame	9403	2,349.00 (MTO*)	N/A	N/A	JD430	N/A	LC96, LC102, LC108, 1009, 1012, 1016	298	1
4120/4320/4520/4720	X	X	X	X	4-pt.	1012335	1,699.00	1012370	N/A	400X	N/A	LC96, LC102, LC108, LC114, 1009, 1012, 1016	472	1
4500/4600/4700/4510/4610/4710		X	X		Sub-frame	59748	1,451.00	N/A	N/A	430, 460	N/A	LC96, LC102, LC108, 1009, 1012, 1016	298	1
5065E/5075E	X	X	X		4-pt.	1015570	1,615.00	1015547	N/A	512	N/A	LU126	525	1
5103/5203/5303	X	X	X		4-pt.	1015570	1,615.00	N/A	1028999	512, 522	N/A	LU126, LU132	525	1
5105/5205	X	X	X		4-pt.	1015465	1,932.00	1015547	N/A	522	N/A	LU126, 1020, 1027	527	
5200/5300/5400/5500/5210/5310/5410/5510	X	X	X		Sub-frame	1001378	1,727.00 (MTO*)	N/A	N/A	520, 540	N/A	LU126, 1020, 1027	414	1, 10, 11
5225/5325/5425/5525		X	X	X	4-pt.	1014320	1,932.00	1014555	N/A	512, 522, 542NSL, 542SL	N/A	LU126, 1020, 1027	515	1

* MTO: Made-to-order. Please contact Customer Services for availability dates.

Reference list continued on following page.
See NOTES on page BH36.

BACKHOE – TRACTOR MOUNTED

9-foot – BH90-X Groundbreaker-X™ (Continued)

BH90-X BACKHOE REQUIRED TRACTOR SUB-FRAME ORDER REFERENCE LIST (Continued)

GROUP 1: SUB-FRAME (Continued)

Tractor Model	Fits Tractor Types				Mount Type	Part No.	Suggested List Price	Hose Kit for Tractor Hydraulics	Hose Kit for Tractor Remotes	OEM Loader Compat.	OEM Mid-Mower Compat.	Woods® Loader Compatible	Mount Ship Wt. (lbs.)	Notes
	2WD	FWA	ROPS	CAB										
KIOTI														
DK35		X	X		Sub-frame	46343	\$ 1,657.00 (MTO*)	N/A	N/A		N/A	LC96, LC102, LC108, 1009, 1012, 1016	401	1
DK40		X	X		Sub-frame	1004328	1,795.00	N/A	N/A	KL1470	N/A	LC96, LC102, LC108, 1009, 1012, 1016	429	1
DK40SE/DK45SE/DK50SE	X	X	X		4-pt.	1025401	2,026.00	1025421	N/A	KL401	N/A	LC108, LC114	509	1
DK45/DK50		X	X		Sub-frame	1002632	1,520.00	N/A	N/A		N/A	LC96, LC102, LC108, 1009, 1012, 1016	353	1
DK45/DK50		X	X		4-pt.	1011026	1,657.00	1003179	N/A	KL1470	N/A	LC96, LC102, LC108, 1009, 1012, 1016	471	1
DK45S		X	X		4-pt.	1016388	1,727.00	1009756	N/A	KL451, KL1470, KL1590	N/A	LC96, LC102, LC108, LC114, 1009, 1012, 1016	494	1, 13
DK55		X	X	X	4-pt.	1009701	2,415.00	1009756	N/A	KL1595	N/A	LC108, LC114	475	1
DK65S		X	X	X	4-pt.	1014525	1,727.00	1009756	N/A	KL1730	N/A	LU126, LU132, 1020, 1027	398	1
KUBOTA®														
L2900/L3300/L3010/L3410		X	X		Sub-frame	1001199	1,864.00	N/A	N/A	LA480, LA481	RC72-29A	LC96, LC102, LC108, 1009, 1012, 1016	370	1, 9
L3130/L3430/L3830		X	X		4-pt.	1006837	1,727.00	1006901	N/A	LA513, LA723	RC72-38	LC96, LC102, LC108, 1008 (N/A on L3830), 1009, 1012, 1016	404	1
L3240/L3540	X	X	X		4-pt.	1025692	1,810.00	1024864	N/A	LA514, LA724	RC72-38	LC96, LC102, LC108	398	1
L3240/L3540 Series 1		X		X	4-pt.	1025690	1,673.00	1024864	N/A	LA514, LA724	RC72-38	LC96, LC102, LC108	426	1, 19, 20
L3240/L3540 Series 3		X		X	4-pt.	1032396	1,673.00	1024864	N/A	LA514, LA724	RC72-38	LC96, LC102, LC108	402	1, 19, 20
L3430		X		X	4-pt.	1007330	1,587.00	1006901	N/A	LA513, LA723	RC72-38	1009, 1012, 1016	402	1
L3600/L4200/L3710/L4310	X	X	X		Sub-frame	1001199	1,864.00	N/A	N/A	LA680, LA681	N/A	1009, 1012, 1016	370	1, 9
L3940		X	X		4-pt.	1024885	1,708.00	1024864	N/A	LA724, LA854	RC72-38	LC96, LC102, LC108	398	1
L3940 Series 1		X		X	4-pt.	1025433	1,637.00	1024864	N/A	LA724, LA854	RC72-38	LC96, LC102, LC108	397	1, 20
L3940-3/L4240-3/L4740-3		X		X	4-pt.	1032926	1,708.00	1024864	46561	LA724, LA854	N/A	LC96, LC102, LC108, LC114	417	1
L4240/L4740/L5040/L5240/L5740		X	X		4-pt.	1024885	1,708.00	1024864	N/A	LA854	N/A	LC108, LC114	398	1
L4240/L4740 Series 1		X		X	4-pt.	1025433	1,637.00	1024864	N/A	LA854	N/A	LC108, LC114	397	1
L4300		X	X		Sub-frame	1000555	1,864.00	N/A	N/A	LA682, LB552	N/A	LC96, LC102, LC108, 1009, 1012, 1016	375	1

* MTO: Made-to-order. Please contact Customer Services for availability dates.

Reference list continued on following page.
See NOTES on page BH36.

BACKHOE – TRACTOR MOUNTED

9-foot – BH90-X Groundbreaker-X™ (Continued)

BH90-X BACKHOE REQUIRED TRACTOR SUB-FRAME ORDER REFERENCE LIST (Continued)

GROUP 1: SUB-FRAME (Continued)

Tractor Model	Fits Tractor Types				Mount Type	Part No.	Suggested List Price	Hose Kit for Tractor Hydraulics	Hose Kit for Tractor Remotes	OEM Loader Compat.	OEM Mid-Mower Compat.	Woods® Loader Compatible	Mount Ship Wt. (lbs.)	Notes
	2WD	FWA	ROPS	CAB										
KUBOTA® (Continued)														
L4330/L4630	X	X	X		4-pt.	1006837	\$ 1,727.00	1006901	N/A	LA853	N/A	LC96, LC102, LC108, LC114, 1009, 1012, 1016, 1020	404	1
L4330/L4630		X	X	X	4-pt.	1007399	1,587.00	1006901	N/A	LA853	N/A	LC96, LC102, LC108, LC114, 1009, 1012, 1016, 1020	377	1
L4350/L4850/L5450	X	X			Sub-frame	9975	2,207.00 (MTO*)	N/A	N/A	950, 1150	N/A	N/A	351	1
L4400 Gear & HST	X	X	X		4-pt.	1013175	1,864.00	1006901	N/A	LA703	N/A	LC96, LC102, LC108	550	1, 6
L4600		X	X		4-pt.	1036181	1,290.00	1006901	N/A	LA764	N/A	LC102, LC108, LC114	446	1
L4610	X	X	X		Sub-frame	1000555	1,864.00	N/A	N/A	LA852	N/A	LC96, LC102, LC108, 1009, 1012, 1016	375	1
L5030	X	X	X		4-pt.	1007191	1,587.00	1006901	N/A	LA853	N/A	LC96, LC102, LC108, LC114, 1009, 1012, 1016, 1020	386	1, 3
L5030		X		X	4-pt.	1007366	1,587.00	1006901	N/A	LA853	N/A	LC96, LC102, LC108, LC114, 1009, 1012, 1016, 1020	370	1, 15
L5240/L5740 HSTC-3		X		X	4-pt.	1033471	1,600.00	1024864	N/A	LA854	N/A	LC108, LC114	396	1, 25
L5240/L5740 Series 1		X		X	4-pt.	1025425	1,637.00	1024864	N/A	LA854	N/A	LC108, LC114	393	1, 25
M4700/M5400	X	X	X		Sub-frame	46576	1,451.00 (MTO*)		N/A	LA1001	N/A	LU126, 1020, 1027	354	1, 4
M4800/M4800SU/M4900/M4900SU/M5700	X	X	X		4-pt.	1012225	1,727.00	1012258	N/A	LA1002	N/A	LU126, 1020, 1027	539	1, 6, 7
M5040/M5140/M6040/M7040	X	X	X		4-pt.	1020970	1,864.00	1021001	N/A	LA1153	N/A	LU126, 1020, 1027	485	1
M5040/M5140/M6040/M7040		X		X	4-pt.	1021020	2,367.00	1021001	N/A	LA1153	N/A	LU126, 1020, 1027	505	1
M5140	X	X	X		4-pt.	1020970	1,864.00	1021001	N/A	LA1153	N/A	LU126, LU132, 1020, 1027	485	1
M6800S (Updated models)	X	X	X	X	Sub-frame	1000345	1,520.00 (MTO*)	N/A	46561	LA1002	N/A	LU126, LU132, 1020, 1027	385	1, 7, 8
M8200/M9000	X	X	X	X	Sub-frame	46512	1,657.00 (MTO*)	N/A	46561		N/A	LU126, 1020, 1027	375	1, 3
M8540/M9540	X	X	X		4-pt.	1024060	1,912.00	1024317	N/A	LA1353	N/A	LU132, 1020, 1027	470	1, 13
M8540/M9540		X		X	4-pt.	1023000	2,095.00	1024317	N/A	LA1353	N/A	LU132, 1020, 1027	471	1, 13
MX5000	X	X	X		Sub-frame	1004625	1,795.00	N/A	N/A	LA702, LA852-1	N/A	LC96, LC102, LC108, 1009, 1012, 1016	410	1
MX5100	X	X	X		4-pt.	1029001	1,724.00	1029004	N/A	LA844	N/A	LC108, LC114	410	1

* MTO: Made-to-order. Please contact Customer Services for availability dates.

Reference list continued on following page.
See NOTES on page BH36.

BACKHOE – TRACTOR MOUNTED

9-foot – BH90-X Groundbreaker-X™ (Continued)

BH90-X BACKHOE REQUIRED TRACTOR SUB-FRAME ORDER REFERENCE LIST (Continued)

GROUP 1: SUB-FRAME (Continued)

Tractor Model	Fits Tractor Types				Mount Type	Part No.	Suggested List Price	Hose Kit for Tractor Hydraulics	Hose Kit for Tractor Remotes	OEM Loader Compat.	OEM Mid-Mower Compat.	Woods® Loader Compatible	Mount Ship Wt. (lbs.)	Notes
	2WD	FWA	ROPS	CAB										
MAHINDRA®														
3510/4110		X	X		4-pt.	1012826	\$ 1,727.00	1012856	N/A	ML112	N/A	LC96, LC102, LC108, 1009, 1012, 1016	473	1
4500/5500/6000/6500	X		X		4-pt.	1015550	2,072.00	1012617	N/A	ML260	N/A	LU126, 1020, 1027	539	1, 18
4500/5500/6000/6500		X	X		4-pt.	1010425	1,727.00	N/A	N/A	ML245, ML264	N/A	LU126, 1020, 1027	527	1, 14
MASSEY FERGUSON®														
1160/1165/1180/1190		X	X		Sub-frame	9640	2,691.00 (MTO*)	N/A	N/A	232	N/A	N/A	366	1
1433/1433V Gear, 1440/1440V Gear	X	X	X		4-pt.	1025514	2,334.00	1009575	N/A	1246, 1466	62", 72"	LC96, LC102, 1008, 1009, 1012	430	1, 12
1433/1433V/1440/1440V	X	X	X		4-pt.	1008547	2,002.00	1009575	N/A	1246, 1466	N/A	LC96, LC102, 1008, 1009, 1012	430	1, 12
1533/1540		X	X		4-pt.	1013303	1,727.00	1014290	N/A	1525	1505	LC96, LC102, 1008, 1009, 1012	378	1, 13, 16
1547/1552	X	X	X	X	4-pt.	1015440	1,727.00	1015498	N/A	FL48	N/A	LC96, LC102, LC108, LC114, 1009, 1012, 1016	545	17
1635/1643		X	X		4-pt.	1013303	1,727.00	1014290	N/A	DL120	N/A	LC96, LC102	378	1, 13
MCCORMICK®														
X10.40/X10.50		X	X	X	4-pt.	1033871	1,724.00	1025421	N/A	L10.102, L10.108	N/A	LC96, LC102, LC108	551	1
X10.55		X	X	X	4-pt.	1009701	2,415.00	1009756	N/A	L10.108, L10.114, L250	N/A	LC108, LC114	475	1, 22

See NOTES on page BH36.

GROUP 2: 3-POINT & 3RD POINT BRACKETS

Part No.	Description	Shipping Wt. (lbs.)	Suggested List Price
1012606	Woods® SAF-T-LOK® 3-pt. hitch mounting	146	\$ 724.00

REQUIRED 3RD POINT BRACKETS

34310	International® 574, 584, 585, 674, 684, 685, 784, 785, 884, 885, Hydro 84 & 2400A	11	\$ 210.00
34312	John Deere® 2020, 2030, 2150, 2155, 2240, 2350, 2355, 2440, 2550, 2555, 2640 & 2750	10	210.00
34313	John Deere 2510, 2520, 3020, 4020, 4030, 4040, 4050, 4230, 4240 & 4320 (4-hole)	11	210.00
34314	John Deere 2840, 2940 & 2950 (5-hole)	11	195.00
34315	John Deere 3010 & 4010	10	210.00
34318	Kubota® M4950DT, M6030 & M7030	21	210.00
34319	Massey Ferguson® 165, 175, 240 (FWA only), 253 (FWA only), 255, 265, 270, 275, 285, 298 & 362	32	210.00
34493	New Holland® – Ford® 2000, 3910, 3930, 4000, 4610, 4630, 445A, 545A, 340B & 540B	31	210.00
37931	John Deere 5200, 5210, 5300, 5400, 5410, 5500 & 5510 (Sub-frames also available)	20	470.00
51973	Kubota M4700, M5400 & M6800	20	202.00
1012324	Massey Ferguson 451 – tractor drawbar must be removed before mounting backhoe	22	313.00

NOTE: 3rd point bracket kit is REQUIRED to 3-point mount the BH90-X Backhoe on the tractors listed above. All other tractors must be equipped with original high-strength top link pin with minimum 1-inch diameter.

BACKHOE – TRACTOR MOUNTED

9-foot – BH90-X Groundbreaker-X™ (Continued)

OPTIONAL HYDRAULICS

Part No.	Description	Shipping Wt. (lbs.)	Suggested List Price
1012617	9 gpm Pump Kit – comes with 540 PTO driven pump, reservoir, hoses, filter and fittings	70	\$ 1,676.00
	OR		
46561	Hose Kit – reference mounting kit 46512/1000345/1032926	6	168.00
1003179	Hose Kit – reference mounting kit 1011026	9	370.00
1006901	Hose Kit – reference mounting kits for Kubota® Grand L 30-series, L4400, L4600 tractors	14	394.00
1009575	Hose Kit – reference mounting kit 1008547/1025514	10	330.00
1009756	Hose Kit – reference mounting kit 1009701/1014525/1016388	7	265.00
1012258	Hose Kit – reference mounting kit 1012225	6	276.00
1012370	Hose Kit – reference mounting kit 1012335	10	276.00
1012856	Hose Kit – reference mounting kit 1012826	10	265.00
1014290	Hose Kit – reference mounting kit 1013303	8	238.00
1014555	Hose Kit – reference mounting kit 1014320	9	414.00
1015498	Hose Kit – reference mounting kit 1015440	11	276.00
1015513	Hose Kit – reference mounting kit 1012392	12	251.00
1015547	Hose Kit – reference mounting kit 1015465/1015570	10	330.00
1021001	Hose Kit – reference mounting kit 1020970/1021020	11	347.00
1021867	Hose Kit – reference mounting kit 1025576/1032937	10	361.00
1021923	Hose Kit – reference mounting kit 1020699	15	330.00
1024317	Hose Kit – reference mounting kit 1023000/1024060	11	370.00
1024864	Hose Kit – reference mounting kit 1024885/1025425/1025433/1025690/1025692/1032396/1032926/1033471	13	449.00
1025421	Hose Kit – reference mounting kit 1025401/1033871	7	302.00
1028352	Hose Kit – reference mounting kit 1028300/1036225	11	347.00
1028360	Hose Kit – reference mounting kit 1028310	9	266.00
1028999	Hose Kit – reference mounting kit 1015570	10	266.00
1029004	Hose Kit – reference mounting kit 1029001	13	394.00
1032375	Hose Kit – reference mounting kit 1033084	13	449.00
1033779	Hose Kit – reference mounting kit 1031328	12	469.00

THUMB KITS (Dealer-Installed – All thumbs fit 16”, 18” and 24” buckets)

1020000	Dealer-Installed Mechanical Thumb Kit	130	\$ 1,118.00
1020085	Auxiliary Hydraulic 7th Function Kit (Includes valve, hoses, quick couplers and foot control)	41	1,315.00
1020210	Conversion Kit for Hydraulic Thumb on BH90-X with factory-installed mechanical thumb (Includes auxiliary hydraulic 7th function kit plus hydraulic cylinder, hoses and quick couplers for thumb)	180	1,842.00
1020222	Complete Hydraulic Thumb Kit (Includes auxiliary hydraulic 7th function kit plus thumb, pins, hydraulic cylinder, hoses and quick couplers)	250	2,564.00

MISCELLANEOUS ACCESSORIES/KITS

37994	Mounting Bracket (See note 9 on page BH36)	18	▲
44442	Reinforcement Kit (See note 2 on page BH36)	99	\$ 518.00
54126	Flow Divider Kit – required for tractors with flow rate greater than 20 gpm	24	477.00
1006610KT	Street Pad Kit	10	198.00
1009666	Spacer Kit (See note 15 on page BH36)	60	210.00
1029700	Adapter Kit (See note 24 on page BH36)	39	292.00
1034178	Adapter Kit (See note 22 on page BH36)	10	154.00
1034846	Adapter Kit (See note 23 on page BH36)	20	78.00

BACKHOE – TRACTOR MOUNTED**9-foot – BH90-X Groundbreaker-X™ (Continued)****NOTES:**

1. Tractor must be equipped with Woods® or OEM loader.
2. When using New Holland® Model 7309 Loader, Woods #44442 reinforcement kit is required.
3. Hose kit #46561 to be used to connect to tractor remote hydraulics in lieu of self-contained pump kit.
4. Will not fit tractors with 18.4 – 16.1 or 21.5 – 16.1 rear tires.
5. To be used only with Woods loader mount #111758.
6. Approved with the following rear tire sizes: 16.9 x 28, 14.9 x 28, 16.9 x 24 or 17.5 – 24.
7. Requires front counterweights, Woods 1020/1027 Loader, or Kubota® LA1002 Loader.
8. Only fits M6800S updated models, not older M6800 models.
9. If using Woods loader mounting kit #111747; order mounting bracket #37994.
10. Includes special pump bracket #54084 to be used with optional PTO hydraulic pump #1012617.
11. May use Woods SAF-T-LOK® 3-point hitch mounting in place of sub-frame – 3rd point bracket may be required.
12. Tractor PTO safety lock-out does not allow use of PTO pump kit. Order hose kit #1009575 to connect to tractor's hydraulic system.
13. When using PTO pump kit #1012617, 3-point arms must be removed.
14. PTO pump kit #1012617 is required.
15. Spacer kit #1009666 moves backhoe to the rear an additional 2.5" for taller operators.
16. Must order hardware package #1013278 for compatibility with Woods 1008 loader.
17. Minimum rear tire width is 55 inches.
18. Must use pump kit to avoid overheating tractor hydraulic system.
19. Woods SAF-T-LOK® 3-point hitch mounting may be used instead. Refer to #1006830 Top Link Bracket Kit – Mounting Kits, Group 1: 3-POINT.
20. Backhoe may be installed with mid-mower in raised locked position. Remove backhoe to use mid-mower.
21. Not recommended for installation on tractors with 41/18LL x 16.1 rear Galaxy® turf tires.
22. Adapter kit #1034178 is required for compatibility with McCormick® L250 loader.
23. Adapter kit #1034846 is required for OEM loader.
24. Adapter kit #1029700 is required for OEM loader.
25. Hose kit #1024864 is not compatible with tractor remotes.

TABLE OF CONTENTS

Woods[®] Skid Steer Attachments	SS2 – SS7
Bale Spears	SS2
Bale Clamp	SS2
Manure Forks with Grapple Fork Attachment	SS3
Pallet Forks – General Purpose Free Swinging, Full Height Frame	SS3
Pallet Forks – Standard- and Heavy-Duty, Full Height and Low-Guard Frame	SS4
Power Rakes	SS5
Toothbars – Standard-Duty	SS6 – SS7
Alitec[™] Skid Steer Attachments (Construction Section)	CO3 – CO25
Augers, Planetary Drive – Compact Excavator and Backhoe Mounted	CO3
Augers, Planetary Drive – Skid Steer Mounted	CO4
Brooms – Angle	CO5
Brooms – Pick-Up	CO5
Buckets – Case [®] -Compatible Skid Steer Loader	CO6
Buckets – Construction	CO7 – CO9
Buckets – Utility	CO10
Buckets – Compact Articulated Loader	CO11
Buckets – High Capacity, Light Material	CO12
Buckets – Root Grapples	CO13
Buckets – Scrap Grapples	CO14
Cold Planers, Standard-Flow – Skid Steer Mounted	CO15
Cold Planers, High-Flow – Skid Steer Mounted	CO16 – CO20
Pavement Saws	CO21
Rock Wheels	CO22
Stump Grinders	CO23
Tillers	CO24
Vibratory Rollers	CO25

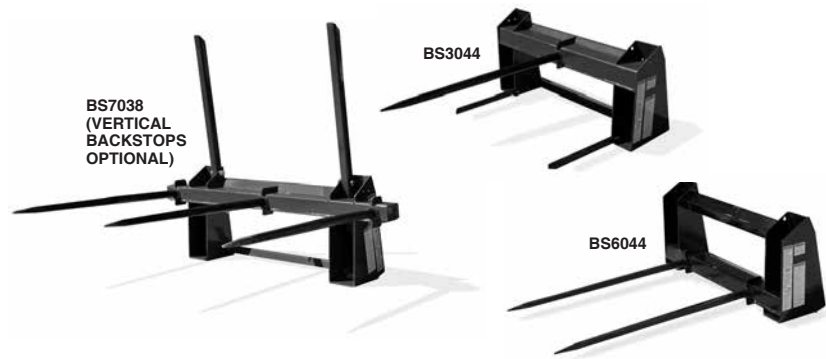
WOODS® SKID STEER ATTACHMENTS

BALE SPEARS

BS-Series Bale Spears

FEATURES:

- Maximum carry load: 3,000 – 7,000 lbs.
- 45mm diameter drop-forged steel spears
- Single and Double Bale Spears frame dimensions (width x height): 45" x 21"
- Triple Bale Spear frame dimensions (width x height): 59" x 21"
- High-strength steel plate frames
- Optional step kit (all models) and vertical backstops (BS7038 only)



Woods

BALE SPEARS FOR SAE J2513 SKID STEER QUICK ATTACH SYSTEMS

Model No.	Part No.	Description	Qty. of Spears	Max. Carry Load (lbs.)	Spear Usable Length (in.)	Shipping Wt. (lbs.)	Suggested List Price	Qty. of 5 List Price *
BS3044S	1037170	Single Bale Spear with two Stabilizer Spikes – Skid Steer Quick Attach	1	3000	44	198	\$ 690.00	\$ 621.00
BS6044S	1037171	Double Bale Spear – Skid Steer Quick Attach	2	6000	44	231	840.00	756.00
BS7038S	1037172	Triple Bale Spear – Skid Steer Quick Attach	3	7000	38	252	980.00	882.00

*

ACCESSORIES

Part No.	Description	Shipping Wt. (lbs.)	Suggested List Price
1019883	Step Kit for Skid Steer Applications	4	\$ 34.00
1034624	Vertical Backstop Kit (BS7038 only)	38	120.00

BALE CLAMP

BC-Series Bale Clamp

FEATURES:

- Clamping force: 2,000 lbs
- Bale diameter range: 36 – 80 inches
- Hydraulic cylinder rating: 2,500 psi
- Compliant with skid steer quick-coupler interface (per SAE J2513) and “Euro” interface (per ISO 23206)
- Hydraulic hoses, cylinder and QD couplers (per ISO 16028) included
- Heavy-duty tubular frame construction
- Back stop prevents bale encroachment into operator zone



Woods

Model No.	Part No.	Description	Shipping Wt. (lbs.)	Suggested List Price
BC20S	1026700	Skid Steer Bale Clamp	663	\$ 3,147.00
BC20E	1026500	Bale Clamp – ISO 23206 “Euro” Quick Attach	663	4,036.00

WARNING: Attachment selection and application must not exceed skid steer model rated operating loads or other specific requirements. All Operator’s Manual and mounting instructions must be followed.

WOODS® SKID STEER ATTACHMENTS

MANURE FORKS WITH GRAPPLE

MF-Series Manure Forks with GF3000 Agricultural Grapple Fork Attachment

MANURE FORK FEATURES:

- Replaceable round teeth
- Various tooth spacing
- Sturdy, reinforced design for extra strength

GRAPPLE FEATURES:

- Attaches to MF6000, MF6600, & MF7200
- Fork opens to 35 inches for large agricultural handling jobs
- Pivot points may be lubricated for long life



Woods

Model No.	Part No.	Description	Width (in.)	Quantity Teeth	Optional* Add'l Teeth	Shipping Wt. (lbs.)	Suggested List Price
MF6000	52756	60" Manure Fork	60	8	7	349	\$ 2,070.00
MF6600	52757	66" Manure Fork	66	9	8	377	2,209.00
MF7200	52758	72" Manure Fork	72	10	9	410	2,351.00
GF3000	52753	Agricultural Grapple Attachment	49-1/4	—	—	260	2,209.00

* Additional teeth can be ordered through WoodsCare™ parts.

HOSE KITS**

Part No.	Description	Quantity	Suggested List Price
54401	1/4" Hose – 4'	4	\$ 166.00
54402	1/4" Hose – 5'	5	179.00
54403	1/4" Hose – 6'	5	192.00

** Hose Kits do not include QD couplers.

NOTES: The MF6000, MF6600, and MF7200 Manure Forks are designed to accept our GF3000 Grapple Fork Attachment.

Reference the Loader Valve section for 3rd function loader controls or the Miscellaneous Loader Accessories section (page LdrAttach7) for auxiliary valve kits.

PALLET FORKS

PF-Series General Purpose Free Swinging Pallet Forks – Full Height Frame

FEATURES:

- Designed for use on skid steer and compact tractor applications
- Free pivoting fork tine design
- Infinite fork spacing – no lock positions
- Hitch compatible to SAE J2513 universal quick-attach standards
- Optional step kit for right or left side entry
- Standard height back guard for improved load stability
- Painted Alitec™ Gray



Woods

Model No.	Part No.	Description	Fork Rating @ 24" From Fork Face (lbs.)	Fork Tine Size (in.)	Shipping Wt. (lbs.)	Suggested List Price	Qty. of 5 List Price *
PF2042S	1022532	Pallet Fork – General Purpose	2000	1.4 x 4 x 42	280	\$ 1,013.00	\$ 912.00

* Order 5 units in any combination of pallet forks to receive an additional 10% discount.

ACCESSORIES

Part No.	Description	Quantity	Suggested List Price
1019880	Foot Step Kit	3	\$ 42.00
1027925	Case 1800-Series Guide Kit	4	60.00

WARNING: Attachment selection and application must not exceed skid steer model rated operating loads or other specific requirements. All Operator's Manual and mounting instructions must be followed.

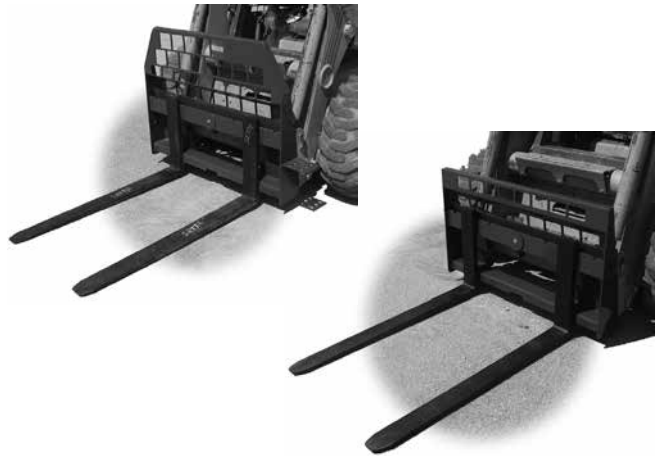
WOODS® SKID STEER ATTACHMENTS

PALLET FORKS (Continued)

PF-Series Standard- and Heavy-Duty Pallet Forks – Full Height and Low-Guard Frame

FEATURES:

- Before use, host machine must comply with FOPS (Falling Object Protective Structure) requirements
- Designed for use on skid steer and compact tractor applications (PF6648S not recommended for compact tractor application)
- Double rail-type lockdown fork tines
- 16-3/8" to 40-3/8" fork tine spacing (6" increments)
- Hitch compatible to SAE J2513 universal quick-attach standards
- Integrated load point for tie-down and lifting purposes
- Full height frame models improve load stability while low-guard frame models improve fore-and-aft clearance
- Safety lock plate prevents fork tines from disengaging from frame
- Optional step kit for right or left side entry
- Painted Alitec™ Gray



Woods

Model No.	Part No.	Description	Fork Rating @ 19.7" From Fork Face (lbs.)	Fork Tine Size (in.)	Shipping Wt. (lbs.)	Suggested List Price	Qty. of 5 List Price *
PF4436S	1038172	Pallet Fork – Standard-Duty – Full Height	4400	1.4 x 4 x 36	394	\$ 1,079.00	\$ 971.00
PF4436SLG	1038166	Pallet Fork – Standard-Duty – Low-Guard	4400	1.4 x 4 x 36	347	1,122.00	1,010.00
PF4442S	1038173	Pallet Fork – Standard-Duty – Full Height	4400	1.4 x 4 x 42	409	1,110.00	999.00
PF4442SLG	1038167	Pallet Fork – Standard-Duty – Low-Guard	4400	1.4 x 4 x 42	378	1,162.00	1,046.00
PF4448S	1038174	Pallet Fork – Standard-Duty – Full Height	4400	1.4 x 4 x 48	428	1,129.00	1,016.00
PF4448SLG	1038168	Pallet Fork – Standard-Duty – Low-Guard	4400	1.4 x 4 x 48	392	1,172.00	1,055.00
PF6648S	1038163	Pallet Fork – Heavy-Duty – Full Height	6600	1.6 x 4 x 48	495	1,426.00	1,283.00
PF6648SLG	1038165	Pallet Fork – Heavy-Duty – Low-Guard	6600	1.6 x 4 x 48	476	1,464.00	1,318.00

*

ACCESSORIES

Part No.	Description	Qty.	List Price
1019883	Foot Step Kit	4	\$ 34.00
1022017	Lift Clevis Kit	3	21.00

WARNING: Attachment selection and application must not exceed skid steer model rated operating loads or other specific requirements. All Operator's Manual and mounting instructions must be followed.

WOODS® SKID STEER ATTACHMENTS

POWER RAKES

SPR-Series Power Rakes

FEATURES:

- SPR72: 11 gpm @ 2200 psi (min.),
#80 single high-tensile continuous roller chain
- SPR84 & SPR96: 15 gpm @ 2500 psi (min.),
#80 double high-tensile continuous roller chain
- Rotor Direction: Forward and reverse
- Sabre Teeth Rotor: 10.625" overall diameter with
2.0" square alloy steel sabre teeth
- Carbide Teeth Rotor: 10.125" overall diameter with
1.75" carbide tipped teeth
- Material Control Bar: Adjustable height, double
rubber faced
- Rotor Bearings: 1.5" triple sealed roller bearings
- Standard mechanical angle (straight, left or right)
- Optional Accessories:** Hydraulic angle kits and
side shield extensions



Woods

Model No.	Part No.	Description	Width (in.)	Length (in.)	Height (in.)	Shipping Wt. (lbs.)	Suggested List Price
SPR72	1035750	72" Skid Steer Power Rake – Sabre Teeth Rotor	72	60	28	830	\$ 11,044.00
SPR72	1035751	72" Skid Steer Power Rake – Carbide Teeth Rotor	72	60	28	830	11,693.00
SPR84	1035752	84" Skid Steer Power Rake – Sabre Teeth Rotor	84	62	36	1104	11,476.00
SPR84	1035753	84" Skid Steer Power Rake – Carbide Teeth Rotor	84	62	36	1104	12,113.00
SPR96	1035754	96" Skid Steer Power Rake – Sabre Teeth Rotor	96	62	36	1144	12,408.00
SPR96	1035755	96" Skid Steer Power Rake – Carbide Teeth Rotor	96	62	36	1144	13,373.00

ACCESSORIES

Part No.	Description	Shipping Wt. (lbs.)	Suggested List Price
360985	Side Shield Extension Kit	18	\$ 196.00
360779	Hydraulic Angle Kit, SPR72	37	2,106.00
360864	Hydraulic Angle Kit, SPR84	59	2,106.00
360866	Hydraulic Angle Kit, SPR96	59	2,106.00

WARNING: Attachment selection and application must not exceed skid steer model rated operating loads or other specific requirements. All Operator's Manual and mounting instructions must be followed.

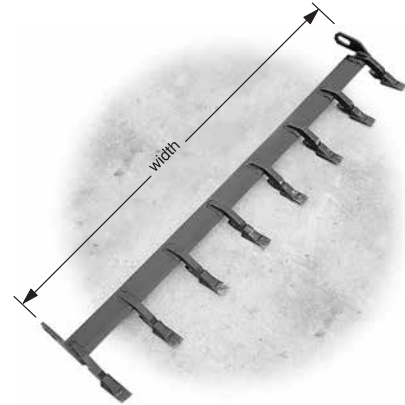
WOODS® SKID STEER ATTACHMENTS

TOOTHBARS

CETB-Series Standard-Duty Toothbars

FEATURES:

- Toothbar for farm and small loaders and most skid loaders
- Includes fasteners to attach to any skid loader bucket without a bolt-on edge installed
- 1/2- x 4-inch high strength steel
- Shanks are high strength steel



Woods

Model/Part No.	Inside Bucket Width (in.)	No. of Teeth	Shipping Wt. (lbs.)	Suggested List Price
CETB400	40 to 40-3/8	5	46	\$ 436.00
CETB440	44 to 44-3/8	5	49	436.00
CETB445	44-1/2 to 44-7/8	5	49	436.00
CETB450	45 to 45-3/8	5	49	436.00
CETB455	45-1/2 to 45-7/8	5	49	436.00
CETB460	46 to 46-3/8	5	49	436.00
CETB465	46-1/2 to 46-7/8	6	49	436.00
CETB470	47 to 47-3/8	6	49	436.00
CETB475	47-1/2 to 47-7/8	6	55	436.00
CETB480	48 to 48-3/8	6	55	436.00
CETB485	48-1/2 to 48-7/8	6	49	436.00
CETB490	49 to 49-3/8	6	49	436.00
CETB495	49-1/2 to 49-7/8	6	49	436.00
CETB500	50 to 50-3/8	6	49	436.00
CETB505	50-1/2 to 50-7/8	6	50	436.00
CETB510	51 to 51-3/8	6	50	436.00
CETB515	51-1/2 to 51-7/8	6	50	436.00
CETB520	52 to 52-3/8	6	50	436.00
CETB525	52-1/2 to 52-7/8	6	50	436.00
CETB530	53 to 53-3/8	6	50	436.00
CETB535	53-1/2 to 53-7/8	6	60	436.00
CETB540	54 to 54-3/8	6	50	436.00
CETB545	54-1/2 to 54-7/8	6	50	436.00
CETB550	55 to 55-3/8	6	50	436.00
CETB555	55-1/2 to 55-7/8	6	50	436.00
CETB560	56 to 56-3/8	7	50	466.00
CETB565	56-1/2 to 56-7/8	7	52	466.00
CETB570	57 to 57-3/8	7	52	466.00
CETB575	57-1/2 to 57-7/8	7	52	466.00
CETB580	58 to 58-3/8	7	54	466.00
CETB585	58-1/2 to 58-7/8	7	54	466.00
CETB590	59 to 59-3/8	7	58	466.00
CETB595	59-1/2 to 59-7/8	7	59	466.00
CETB600	60 to 60-3/8	7	59	466.00
CETB605	60-1/2 to 60-7/8	7	59	466.00

NOTE: For 1000 Series loader buckets, order 1" less than size of bucket for toothbar.

WOODS® SKID STEER ATTACHMENTS

TOOTHBARS (Continued)

CETB-Series Standard-Duty Toothbars

Model/Part No.	Inside Bucket Width (in.)	No. of Teeth	Shipping Wt. (lbs.)	Suggested List Price
CETB610	61 to 61-3/8	7	59	\$ 466.00
CETB615	61-1/2 to 61-7/8	7	59	466.00
CETB620	62 to 62-3/8	7	60	466.00
CETB625	62-1/2 to 62-7/8	7	60	466.00
CETB630	63 to 63-3/8	7	62	466.00
CETB635	63-1/2 to 63-7/8	7	61	466.00
CETB640	64 to 64-3/8	7	61	466.00
CETB645	64-1/2 to 64-7/8	7	64	466.00
CETB650	65 to 65-3/8	8	64	499.00
CETB655	65-1/2 to 65-7/8	8	64	499.00
CETB660	66 to 66-3/8	8	66	499.00
CETB665	66-1/2 to 66-7/8	8	67	499.00
CETB670	67 to 67-3/8	8	67	499.00
CETB675	67-1/2 to 67-7/8	8	68	499.00
CETB680	68 to 68-3/8	8	68	499.00
CETB685	68-1/2 to 68-7/8	8	69	499.00
CETB690 *	69 to 69-3/8	8	69	499.00
CETB695 *	69-1/2 to 69-7/8	8	70	499.00
CETB700 *	70 to 70-3/8	8	70	499.00
CETB705 *	70-1/2 to 70-7/8	8	71	499.00
CETB710 *	71 to 71-3/8	8	71	499.00
CETB715 *	71-1/2 to 71-7/8	8	72	499.00
CETB720 *	72 to 72-3/8	8	72	499.00
CETB725 *	72-1/2 to 72-7/8	8	73	499.00
CETB730 *	73 to 73-3/8	8	73	499.00
CETB735 *	73-1/2 to 73-7/8	8	74	499.00
CETB740 *	74 to 74-3/8	8	74	499.00
CETB745 *	74-1/2 to 74-7/8	8	75	499.00
CETB750 *	75 to 75-3/8	8	75	499.00
CETB755 *	75-1/2 to 75-7/8	8	75	499.00
CETB760 *	76 to 76-3/8	9	76	534.00
CETB765 *	76-1/2 to 76-7/8	9	77	534.00
CETB770 *	77 to 77-3/8	9	77	534.00
CETB775 *	77-1/2 to 77-7/8	9	78	534.00
CETB780 *	78 to 78-3/8	9	78	534.00
CETB785 *	78-1/2 to 78-7/8	9	79	534.00
CETB790 *	79 to 79-3/8	9	79	534.00
CETB795 *	79-1/2 to 79-7/8	9	80	534.00
CETB800 *	80 to 80-3/8	9	80	534.00
CETB805 *	80-1/2 to 80-7/8	9	81	534.00
CETB810 *	81 to 81-3/8	9	81	534.00
CETB815 *	81-1/2 to 81-7/8	9	82	534.00
CETB820 *	82 to 82-3/8	9	82	534.00
CETB825 *	82-1/2 to 82-7/8	9	83	534.00
CETB830 *	83 to 83-3/8	9	83	534.00
CETB835 *	83-1/2 to 83-7/8	9	84	534.00
CETB840 *	84 to 84-3/8	9	84	534.00
CETB845 *	84-1/2 to 84-7/8	9	85	534.00

*