

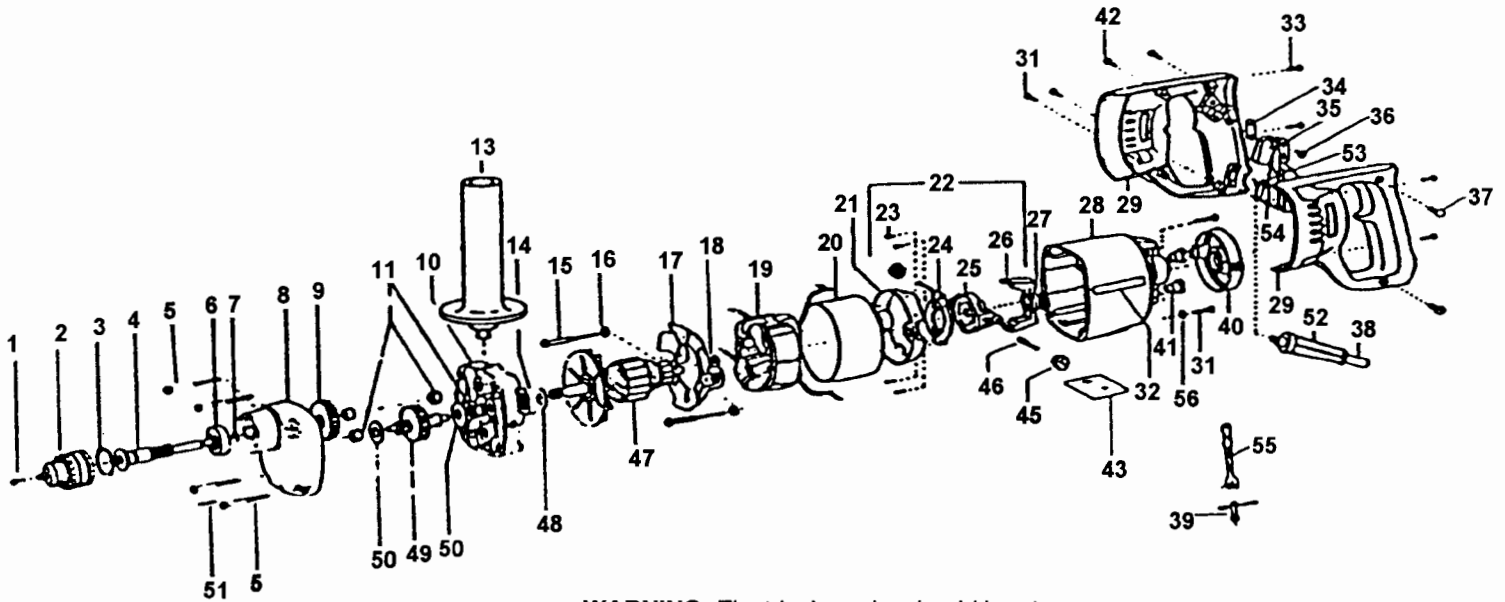


NOTE: Parts are no longer available for this tool.

The manual will continue on the next page.



PARTS LIST FOR 8040J (230V) 3/8" ELECTRIC DRILL REV.



WARNING: Electrical repairs should be attempted only by authorized trained repairmen. Consult your service center listing for your nearest SIOUX Authorized Service Center.

Fig. No.	Part No.	Description
1.	57250	Screw
2.	21133	Chuck—3/8" Cap.
3.	21815	Ring—Retaining
4.	22690	Spindle
5.	07246	Screws (4)*
6.	10123	Bearing—Ball
7.	21816	Ring—Retaining
8.	12670	Case—Gear
	10089	Bearing—Needle
9.	19261	Gear—Spindle
10.	63344	Ass'y—Separator
11.	10089	Bearing—Needle (2)*
13.	63348	Handle—Side
14.	10210	Bearing
15.	07243	Screw (2)*
16.	09724	Washer—Lock (2)*
17.	04019	Ass'y—Baffle
	54929	Bushing—Baffle (2)*
19.	28964J	Field (230V)
20.	05056	Sleeve
21.	04002	Insulator
22.	28165	Ass'y—Brush Holder Ring
23.	06125	Screw (4)*
24.	28169	Cover—Support
25.	28172	Ring—Brush Holder
26.	28170	Support
27.	10931	Bearing

Fig. No.	Part No.	Description
28.	12661	Frame
29.	04021	Ass'y—Handle
	13321	Inserts (2)*
31.	06595	Screw (4)*
32.	20809	Strip—Decal (2)*
33.	07244	Screw (4)*
34.	04008	Spacer—Switch
35.	18224	Switch
36.	06660	Screw
37.	54930	Nuts
38.	65954	Cord (230V)
39.	30002	Key
40.	28195	Ring
41.	04009	Bushing (2)*
42.	06596	Screw (2)*
43.	20017R	Plate—Name (230V)
45.	18109	Cap—Brush Holder (2)*
46.	18023	Brush—Motor (Pair)
47.	28966J	Armature (230V)
48.	35730	Spacer
49.	19353	Ass'y—Gear Int.
50.	35738	Washer—Fiber (2)*
51.	40145	Pin—Roll
52.	04303	Guard—Cord
53.	35726	Clamp—Cord
54.	06241	Screw (2)*
55.	04305	Holder—Key
56.	09836	Washer (2)*

**SIOUX
TOOLS INC.**

2901 FLOYD BOULEVARD ■ PO BOX 507 ■ SIOUX CITY, IOWA 51102-0507 ■

Furnish Catalog Number When Ordering Parts
*Order Quantity As Needed

This pdf incorporates the following model numbers:

8040J