

ZY31-9012-1

Serial No _____
Model _____
Install Date _____

IBM System/36
5360 System Unit
I/PAR Code Guide and CE/CSR Log

Second Edition (April 1984)

This major revision makes obsolete ZY31-9012-0. Changes or additions were made to reflect the Stage 2 control storage processor, additional main storage, the expansion power supply, the 1255 MCR attachment, and the 8809 tape adapter.

The drawings and specifications contained herein shall not be reproduced in whole or in part without written permission.

This publication is only for the purpose of guiding the customer engineer/customer service representative in coding the Incident/Parts Activity Report (I/PAR).

Information contained in this manual is subject to change from time to time. Any such change will be reported in subsequent revisions.

References in this publication to IBM products, programs, or services do not imply that IBM intends to make these available in all countries in which IBM operates.

Publications are not stocked at the address given below. Requests for IBM publications should be made to your IBM representative or to the IBM branch office serving your locality.

This publication could contain technical inaccuracies or typographical errors. Comments about this publication may be addressed to IBM Corporation, Information Development, Department 245, Rochester, Minnesota, U.S.A. 55901. IBM may use or distribute whatever information you supply in any way it believes appropriate without incurring any obligation to you.

Contents

A-A1 Logic	2
A-A2 Board Power	10
A-A2 Logic	4
A-A3 Board Power	10
A-A3 Logic	6
AC Power	8
Base	1
Base Power	8
CE/CSR Log	22
Control Panel	1
Control Power	8
Cooling	1
Customer Responsibility	21
Expansion Power	11
Functional Microcode	21
10SR Disk Drive	20
21ED Disk Drive	19
51TD Diskette Drive	12
72MD Access	14
72MD Autoloader	16
72MD Carriage	17
72MD Drive	15
72MD Logic	18

INSTRUCTIONS FOR USING THIS GUIDE

Use this guide with the *CE Service Codes and I/PAR Preparation Guide, ZZ60-0375*.

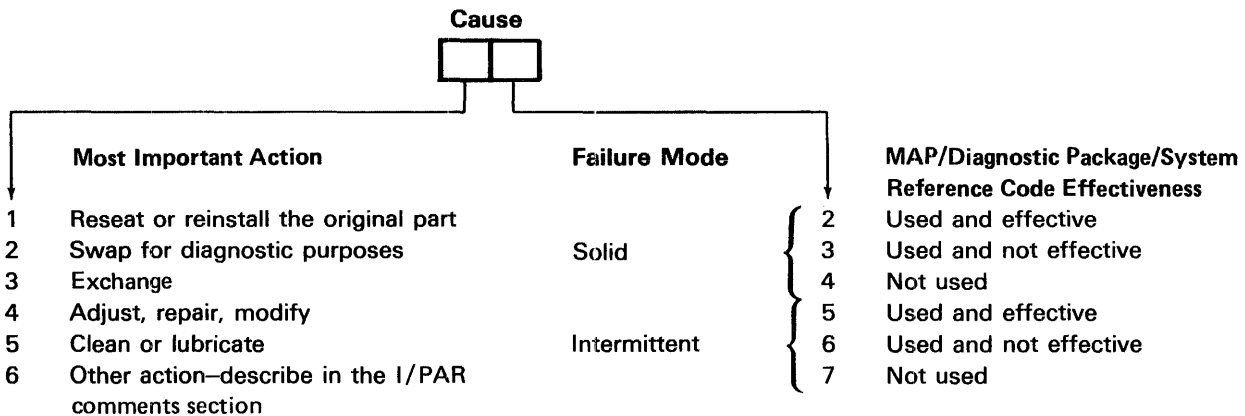
- For problems that need a repair action:
 - Record the major and minor codes. For logic cards/cables, go to the page for the board, read down to the card/cable location, then across to the major and minor codes. Make a selection when there are optional devices.
 - Record the cause code that best describes the action.
 - Record the system reference code in the I/PAR comments section.
 - Record the problem and action taken in the CE/CSR Log at the back of this guide.

- For problems that do not need a repair action:
 - No trouble found (NTF)—Record the major unit that you most suspect to be the problem and a minor unit of 93. If you cannot determine a major unit, use the major unit under which you spent time analyzing the problem. Describe the problem in the I/PAR comments section.
 - Record the system reference code in the I/PAR comments section.
 - Customer responsibility (870)—Use only with service codes 14 and 30.
 - Record the problem and action taken, if any, in the CE/CSR Log at the back of this guide.

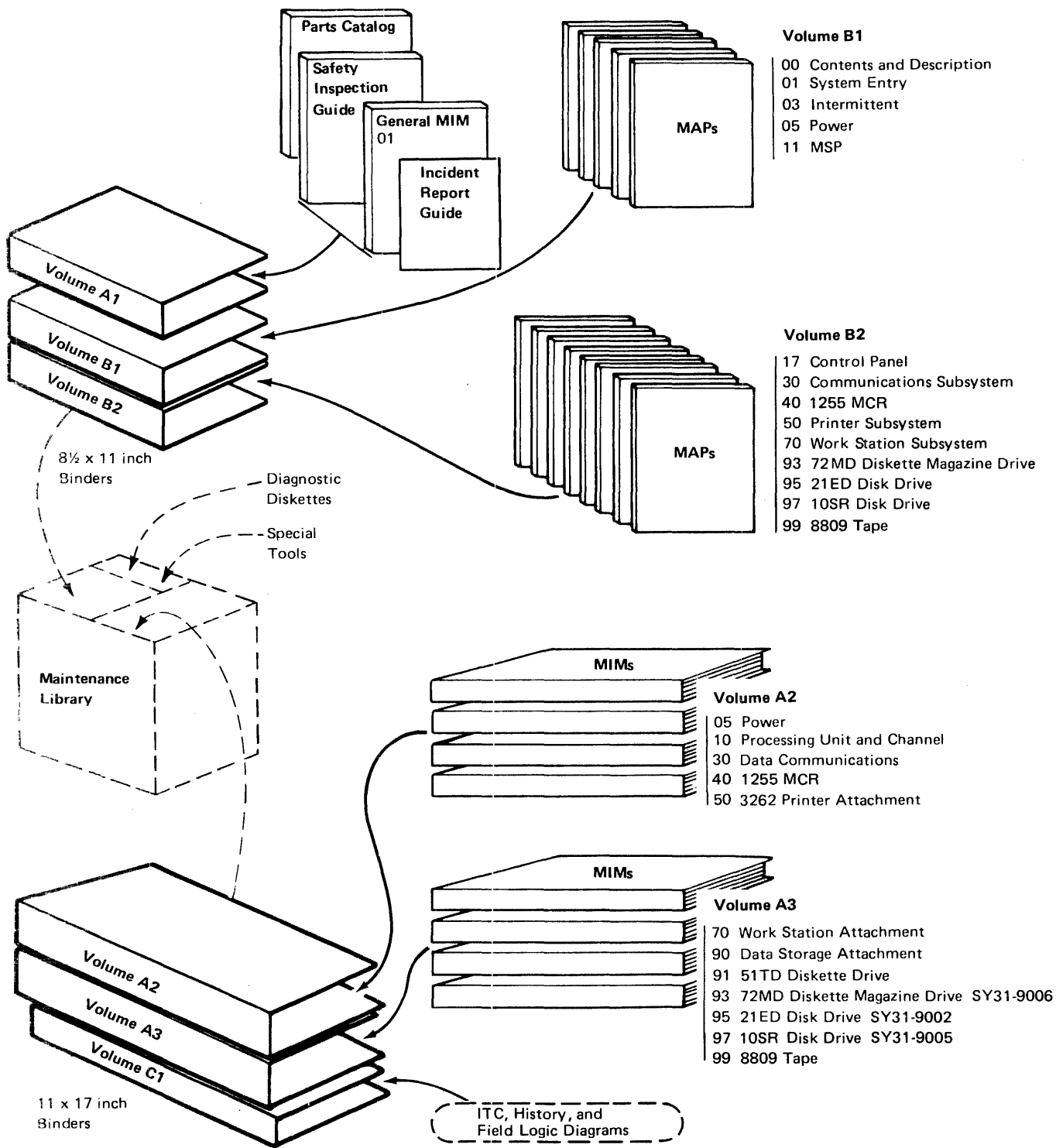
CAUSE CODES

Choose one digit from each column.

**Do NOT Use Major Units
000, 960, and 980**



Note: The MAPs/diagnostics/system reference codes are effective if they identify the failing part or send you to the correct repair action.



EC 826380			PN 2597070
27MAY83			

I B M

PUBLICATION DRAWING

PART NUMBER 4177104

CHANGE NUMBER

26 MARCH 82 838739

22 SEP 82 838798

27 MAY 83 826380

15 FEB 84 826487

BASE FORM NUMBER ZY31-9012

TITLE. IBM SYSTEM/36

5360 SYSTEM UNIT

I/PAR CODE GUIDE AND CE/CSR LOG

NOTE. ALL ITEMS FOLLOWING THE LAST ROW OF ASTERISKS ARE TO BE SHIPPED.

CHANGE NUMBER	FORM / TNL	DESCRIPTION / COMMENTS
***** 838739 *****	***** ZY31-9012-B *****	***** CHECKPOINT 9 DRAFT *****
***** 838798 *****	***** ZY31-9012-C *****	***** CHECKPOINT 11 DRAFT *****
***** 826380 *****	***** ZY31-9012-0 *****	***** RELEASE 1, FIRST CUSTOMER SHIP *****
***** 826487 *****	***** ZY31-9012-1 *****	***** RELEASE 2, FIRST CUSTOMER SHIP *****

001 BASE

Note: Minor codes 00 and 93 are not valid with major code 001.

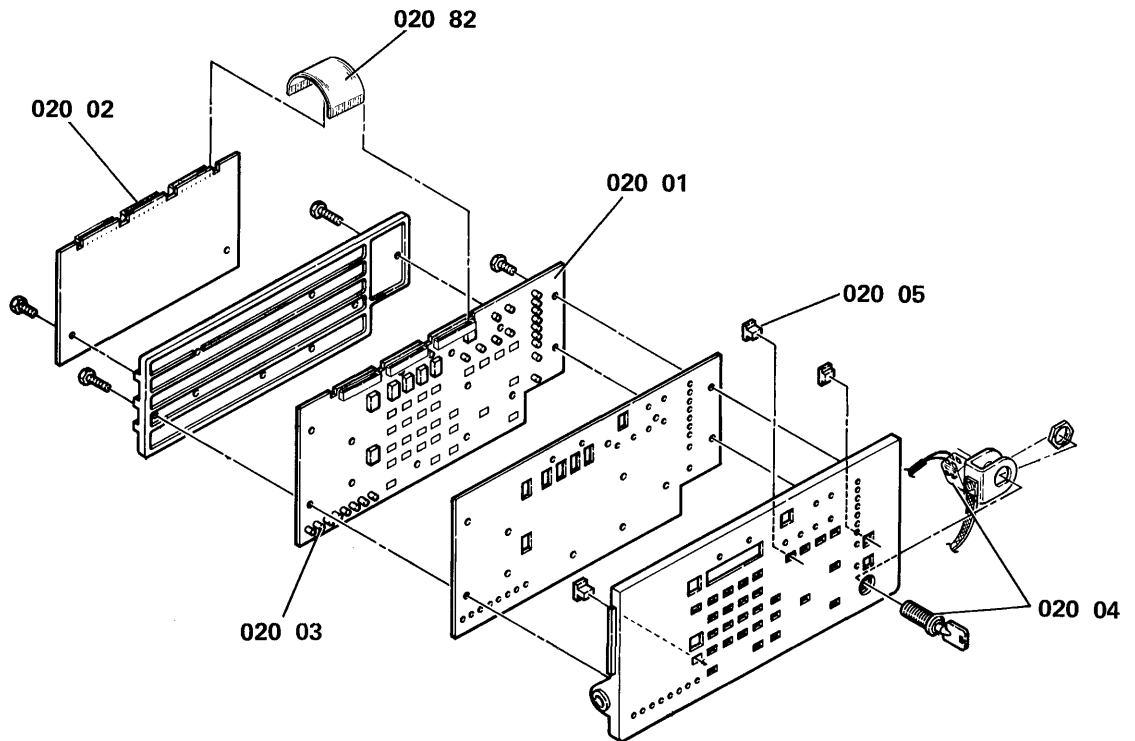
- 01 Casters
- 02 Covers
- 04 Frame
- 05 Gate hardware
- 03 Grounding/finger stock strip
- 06 Latches/hinges
- 07 Shock mounts, 21ED
- 08 Switch, 72MD cover interlock

020 CONTROL PANEL

- 01 Board, display (B-A2)
 - 02 Board, driver (B-A1)
 - 82 Cables/connectors
 - 05 Key button
 - 04 Keylock assembly
 - 03 LED
- 93 No trouble found—record the details in the I/PAR comments section
- 00 Other—explain fully in the I/PAR comments section

080 COOLING

- 82 Cables/connectors
 - 01 Fan, disk area
 - 07 Fan, expansion power
 - 02 Fan, logic gate
 - 03 Fan, power
 - 04 Fan, 72MD
 - 05 Thermal switch, logic gate
 - 06 Thermal switch, power
- 93 No trouble found—record the details in the I/PAR comments section
- 00 Other—explain fully in the I/PAR comments section

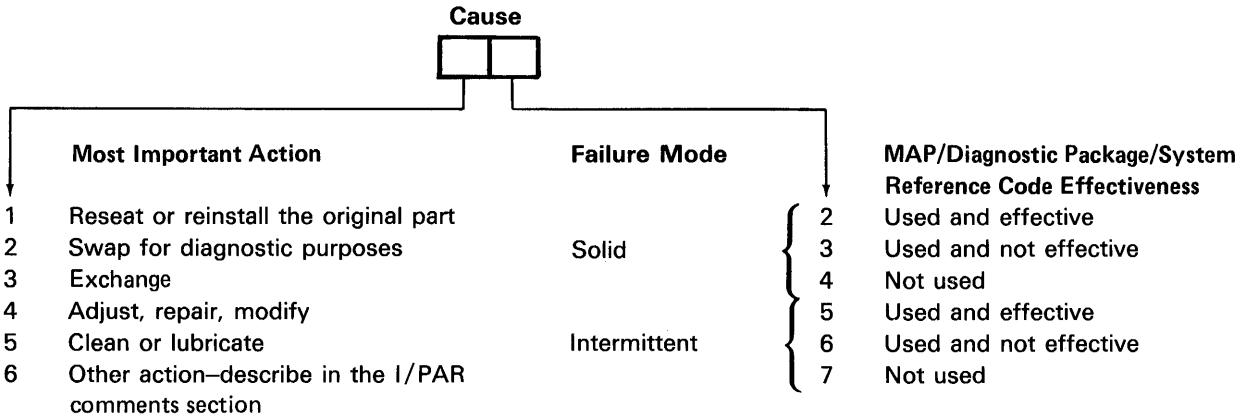


A-A1 Logic

Card/Cable Locations	Major Codes	Minor Codes	Description
A-A1A2	305	82	21ED disk A cable
A3	306	82	21ED disk B cable
A4	101	82	Communications line cable
A5	303	82	Control panel cable
B2	114	01	Internal clock
B3	300	82	Channel terminator (not Stage 2)
B4	303	01	Control panel (not Stage 2)
B5	300	82	Channel terminator (Stage 2)
C2	305	01	21ED disk A adapter
D2	306	01	21ED disk B adapter
E2	304	01	Data storage adapter 1
F2			
With 51TD	302	01	51TD adapter
With 72MD	312	01	72MD adapter
G2			Communications line adapter
EIA	106	01	
1200 integrated modem	107	01	
DDSA	108	01	
G4			
With 51TD	302	02	51TD VFO
With 72MD	312	02	72MD VFO
H2	316	01	Work station controller
J2	317	01	Work station adapter
K2	101	02	Communications adapter (SLCA)
L2	311	01	CSP channel (not Stage 2)
M2			
Stage 2	303	02	Control panel
Not Stage 2	311	02	CSP data flow
N2			
Stage 2	311	03	CSP
Not Stage 2	321	01	Control storage
P2	310	01	MSP control
Q2	310	02	MSP data flow
R2	320	04	Main storage
S2	320	03	Main storage
T2	320	02	Main storage
U2	320	01	Main storage
V3	020	82	Control panel cable
V4	317	82	Work station cable
V5			
With 51TD	302	82	51TD cable
With 72MD	312	82	72MD cable
Z1/Z2/Z3	300	82	Channel cables
A-A1 board	300	01	Discrete wire
A-A1 board	300	02	Land pattern
A-A1 board	300	03	Pin

Other minor codes that you may use with a logic major code:

- 50 Card jumpers
- 60 Top card connectors
- 93 No trouble found—record the details in the I/PAR comments section
- 00 Other—explain fully in the I/PAR comments section



Note: The MAPs/diagnostics/system reference codes are effective if they identify the failing part or send you to the correct repair action.

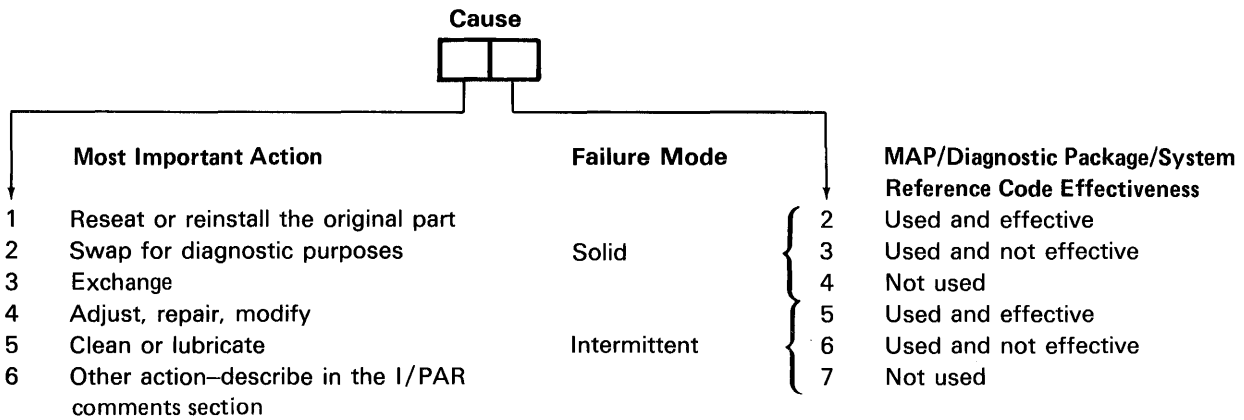
A-A2 Logic

Card/Cable Locations	Major Codes	Minor Codes	Description
A-A2A2			
With 10SR	307	82	10SR disk A cable
With 21ED	305	82	21ED disk A cable
A3			
With 10SR	308	82	10SR disk B cable
With 21ED	306	82	21ED disk B cable
A4	313	82	10SR disk C cable
A5	314	82	10SR disk D cable
B2	307	82	10SR disk A cable
B3	308	82	10SR disk B cable
B4	313	82	10SR disk C cable
B5	314	82	10SR disk D cable
C2			
With 10SR	307	01	10SR disk A adapter
With 21ED	305	01	21ED disk A adapter
C4	313	01	10SR disk C adapter
D2			
With 10SR	308	01	10SR disk B adapter
With 21ED	306	01	21ED disk B adapter
D4	314	01	10SR disk D adapter
E2	304	01	Data storage adapter 1
F2			
With 51TD	302	01	51TD adapter
With 72MD	312	01	72MD adapter
G4			
With 51TD	302	02	51TD VFO
With 72MD	312	02	72MD VFO
J2			
With 8809	319	01	Data storage controller
No 8809	318	01	Disk feed-through
K2	323	01	Data storage adapter 2
L2	323	02	8809 adapter
L4	324	01	1255 storage 1
M4	325	01	1255 storage 2
N2	324	02	1255 adapter
P2	324	03	1255 controller
Q2	324	04	1255 driver/receiver
R2	315	01	3262 controller
S2	315	02	3262 adapter
T2	315	03	3262 state sequencer
U2	324	82	1255 cable
U3	301	82	Channel terminator
V2/V3/V4	315	82	3262 cables
V5			
With 51TD	302	82	51TD cable
With 72MD	312	82	72MD cable
Y1/Y2/Y3	301	82	Channel cables
Y5/Y6	324	82	1255 cables
Z4/Z5/Z6	301	82	Channel cables
A-A2 board	300	01	Discrete wire
A-A2 board	300	02	Land pattern
A-A2 board	300	03	Pin

Other minor codes that you may use with a logic major code:

- 50 Card jumpers
- 60 Top card connectors

- 93 No trouble found—record the details in the I/PAR comments section
- 00 Other—explain fully in the I/PAR comments section



Note: The MAPs/diagnostics/system reference codes are effective if they identify the failing part or send you to the correct repair action.

A-A3 Logic

Card/Cable Locations	Major Codes	Minor Codes	Description
A-A3A2/A3/A4/A5	101	82	Communications line cables
G2/G4	105	01	Preloads
L2/L4/M2/M4			Communications line adapters
EIA	106	01	
1200 integrated modem	107	01	
DDSA	108	01	
Autocall	109	01	
X.21	110	01	
V.35 (wideband)	111	01	
N2/P2/Q2/R2	101	01	Communications adapters
S2	112	01	MLCA controller
U2	114	01	Internal clock
U3	100	82	Channel terminator
V5	020	82	Control panel cable
Y4/Y5/Y6	100	82	Channel cables
A-A3 board	100	01	Discrete wire
A-A3 board	100	02	Land pattern
A-A3 board	100	03	Pin
Modem cables	106	82	External EIA modem cables

Other minor codes that you may use with a logic major code:

- 50 Card jumpers
- 60 Top card connectors
- 93 No trouble found—record the details in the I/PAR comments section
- 00 Other—explain fully in the I/PAR comments section

No Trouble Found: When you suspect a *communications* problem to be *outside* System/36, record the major unit that you most suspect to be the problem and a minor unit of 93 (see table at right). If you cannot determine a major unit, use the major unit under which you spent time analyzing the problem. Record system reference code(s), if available, and other details in the I/PAR comments section.

No Trouble Found	Codes	
	Major	Minor
Common carrier facilities	150	93
Customer application (programming)	151	93
Customer procedures	152	93
Environment	153	93
External non-IBM local DCE (modem)	154	93
External non-IBM remote DCE (modem)	155	93
Remote DTE (work station)	156	93

Cause



Most Important Action	Failure Mode	MAP/Diagnostic Package/System Reference Code Effectiveness
1 Reseat or reinstall the original part 2 Swap for diagnostic purposes 3 Exchange 4 Adjust, repair, modify 5 Clean or lubricate 6 Other action—describe in the I/PAR comments section	Solid Intermittent	2 Used and effective 3 Used and not effective 4 Not used 5 Used and effective 6 Used and not effective 7 Not used

Note: The MAPs/diagnostics/system reference codes are effective if they identify the failing part or send you to the correct repair action.

600 AC POWER

- 82 Cables/connectors
- 01 Circuit breaker 1
- 02 Line cord
- 03 Line filter assembly

- 93 No trouble found—record the details in the I/PAR comments section
- 00 Other—explain fully in the I/PAR comments section

601 CONTROL POWER

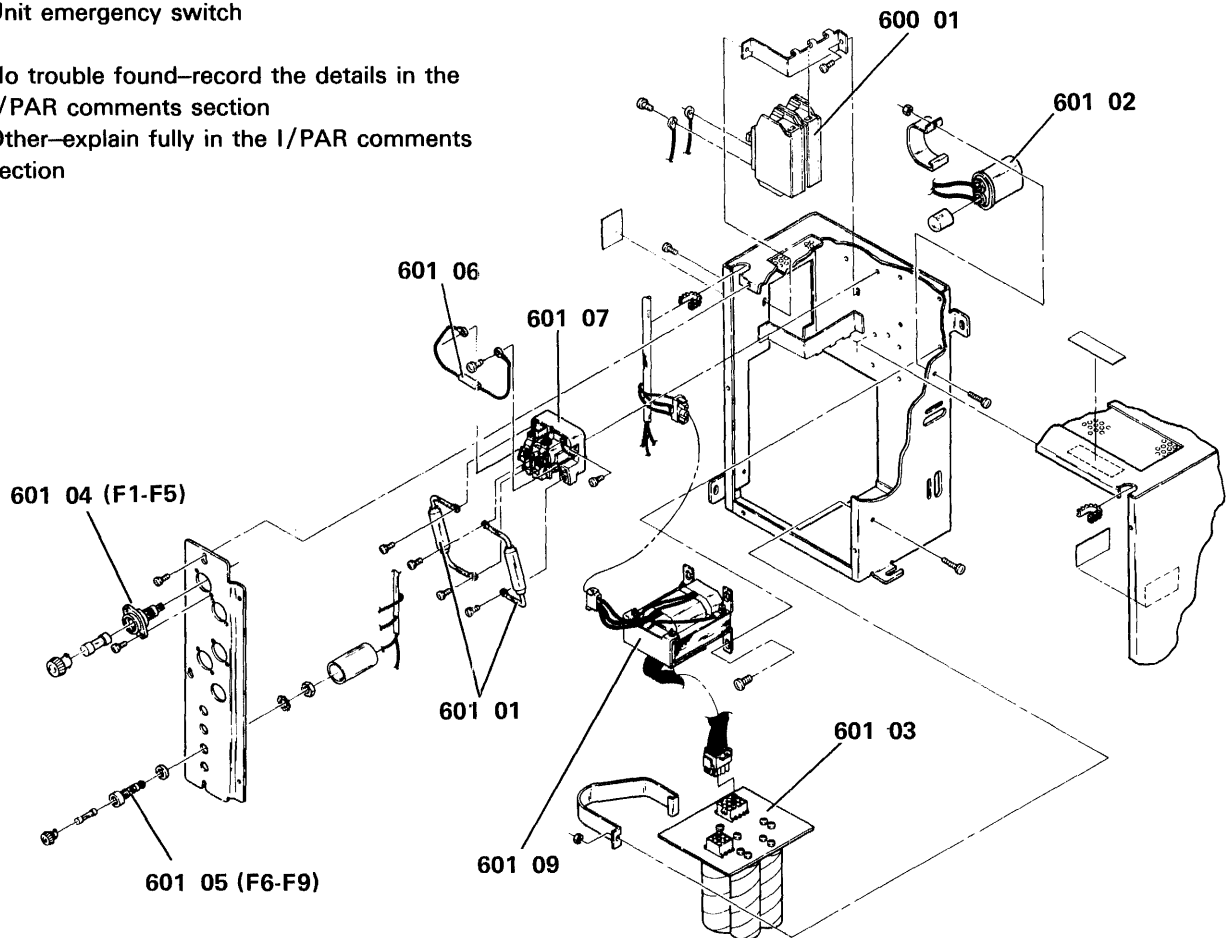
- 01 Arc suppressor assembly
- 82 Cables/connectors
- 02 Capacitor, control AC
- 03 Control power assembly
- 06 Diode assembly
- 04 Fuse, F1-F5
- 05 Fuse, F6-F9
- 08 Protect card
- 07 Relay K1
- 09 Transformer, control
- 10 Unit emergency switch

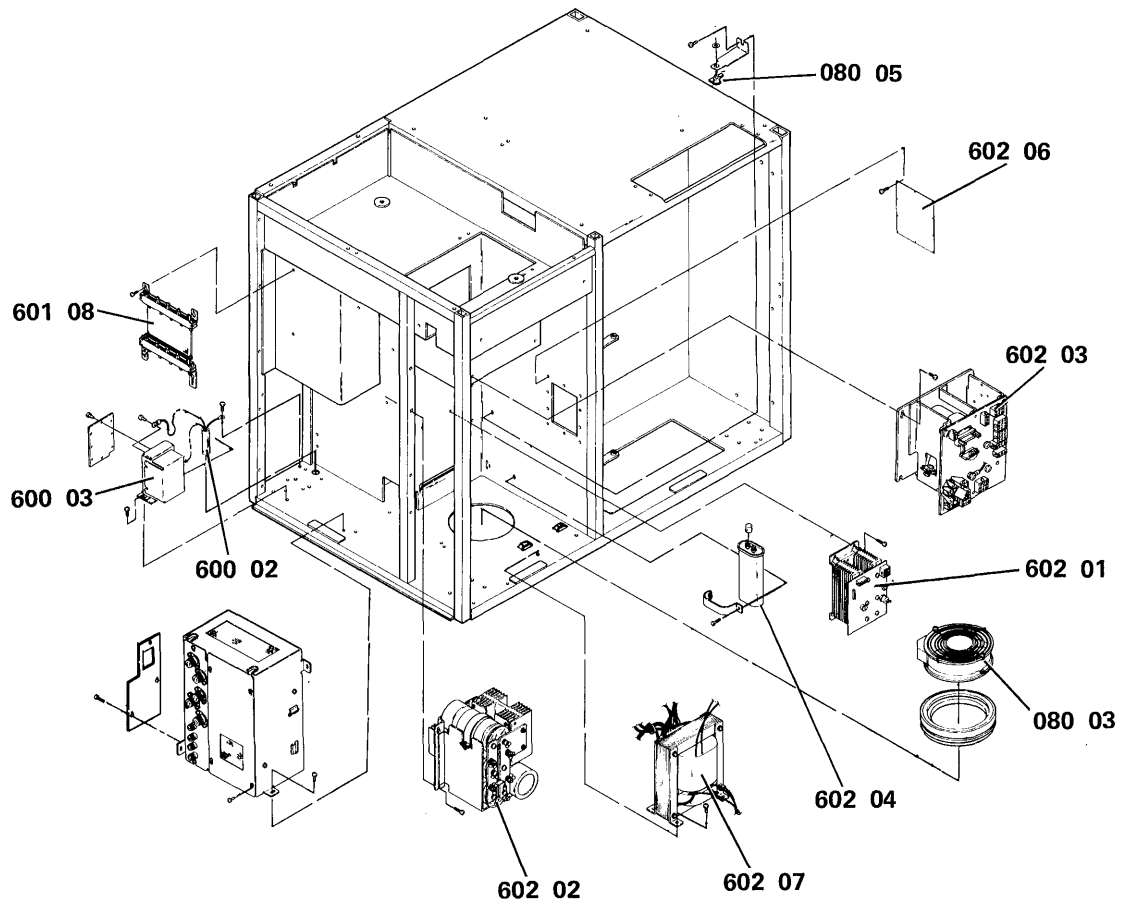
- 93 No trouble found—record the details in the I/PAR comments section
- 00 Other—explain fully in the I/PAR comments section

602 BASE POWER

- 01 Base 1.7 V regulator
- 02 Base 5 V assembly
- 03 Base power assembly
- 82 Cables/connectors
- 04 Capacitor, base AC
- 06 DC ground board assembly
- 07 Transformer, base

- 93 No trouble found—record the details in the I/PAR comments section
- 00 Other—explain fully in the I/PAR comments section





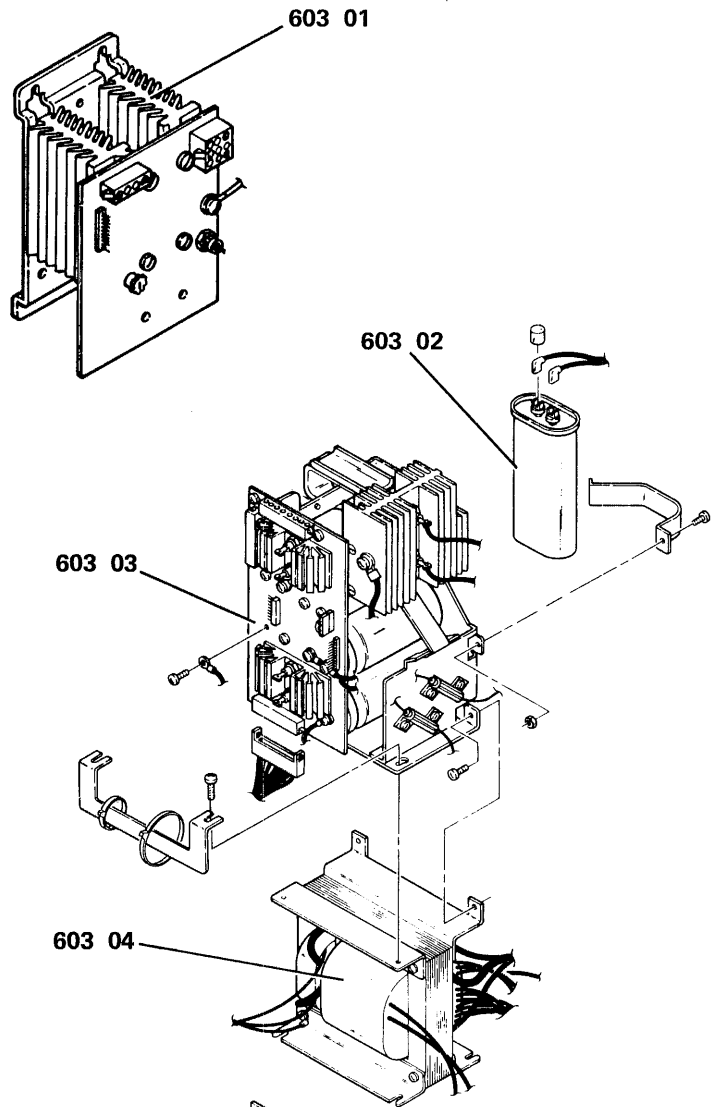
Cause		
Most Important Action	Failure Mode	MAP/Diagnostic Package/System Reference Code Effectiveness
1 Reseat or reinstall the original part	Solid	2 Used and effective
2 Swap for diagnostic purposes		3 Used and not effective
3 Exchange		4 Not used
4 Adjust, repair, modify	Intermittent	5 Used and effective
5 Clean or lubricate		6 Used and not effective
6 Other action—describe in the I/PAR comments section		7 Not used

Note: The MAPs/diagnostics/system reference codes are effective if they identify the failing part or send you to the correct repair action.

603 A-A2 BOARD POWER

- 01 A2 1.7 V regulator
- 02 A2 AC capacitor
- 03 A2 power assembly
- 04 A2 transformer
- 82 Cables/connectors

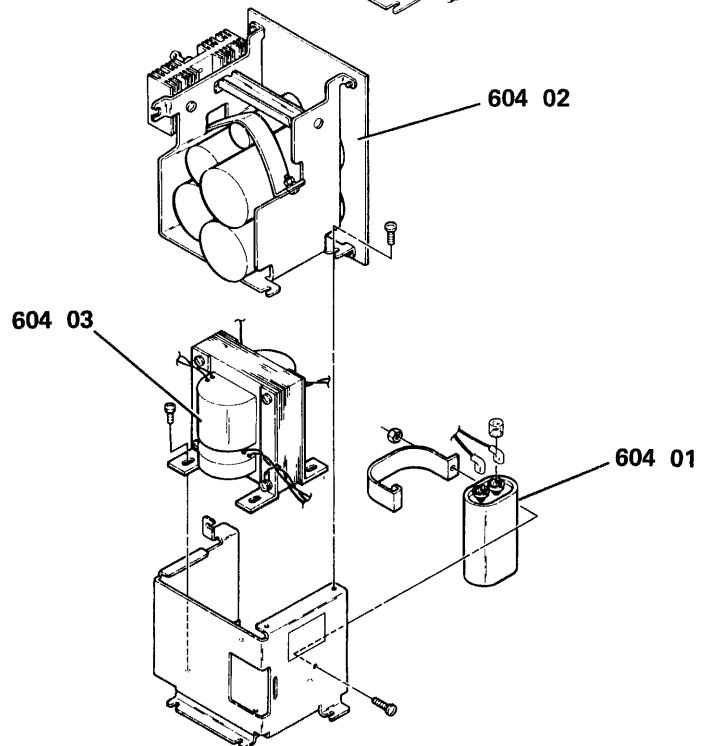
- 93 No trouble found—record the details in the I/PAR comments section
- 00 Other—explain fully in the I/PAR comments section



604 A-A3 BOARD POWER

- 01 A3 AC capacitor
- 02 A3 power assembly
- 03 A3 transformer
- 82 Cables/connectors

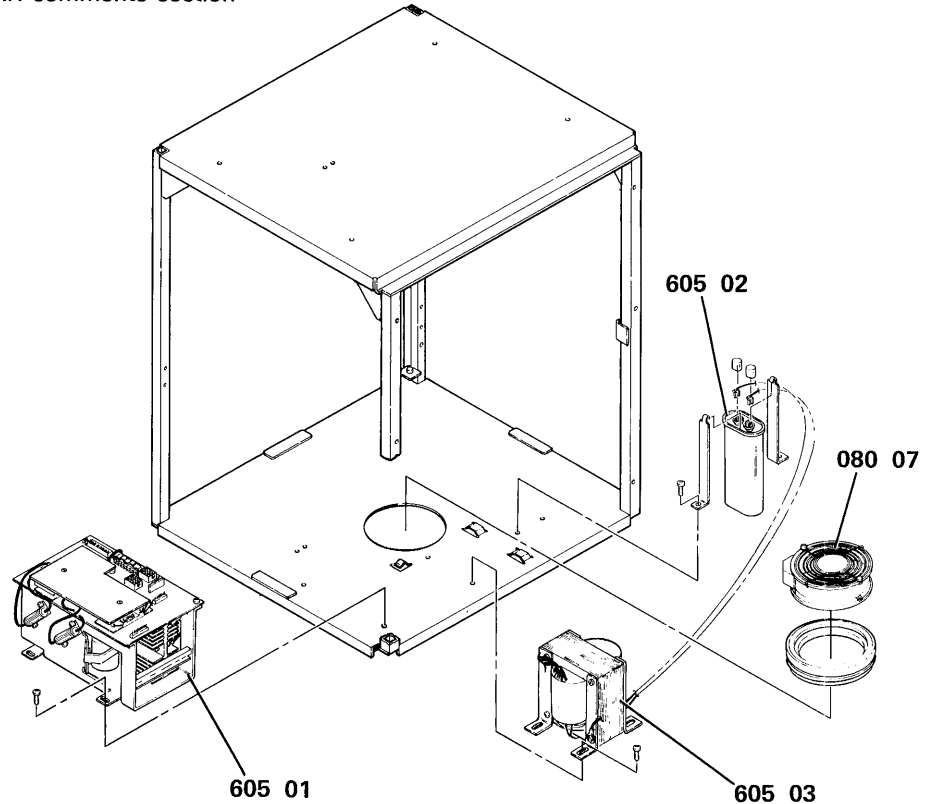
- 93 No trouble found—record the details in the I/PAR comments section
- 00 Other—explain fully in the I/PAR comments section



605 EXPANSION POWER

- 82 Cables/connectors
- 02 Capacitor, expansion AC
- 01 Power assembly, expansion
- 03 Transformer, expansion

- 93 No trouble found—record the details in the I/PAR comments section
- 00 Other—explain fully in the I/PAR comments section



Cause		
Most Important Action	Failure Mode	MAP/Diagnostic Package/System Reference Code Effectiveness
1	Solid	2
2		3
3		4
4	Intermittent	5
5		6
6		7
6		

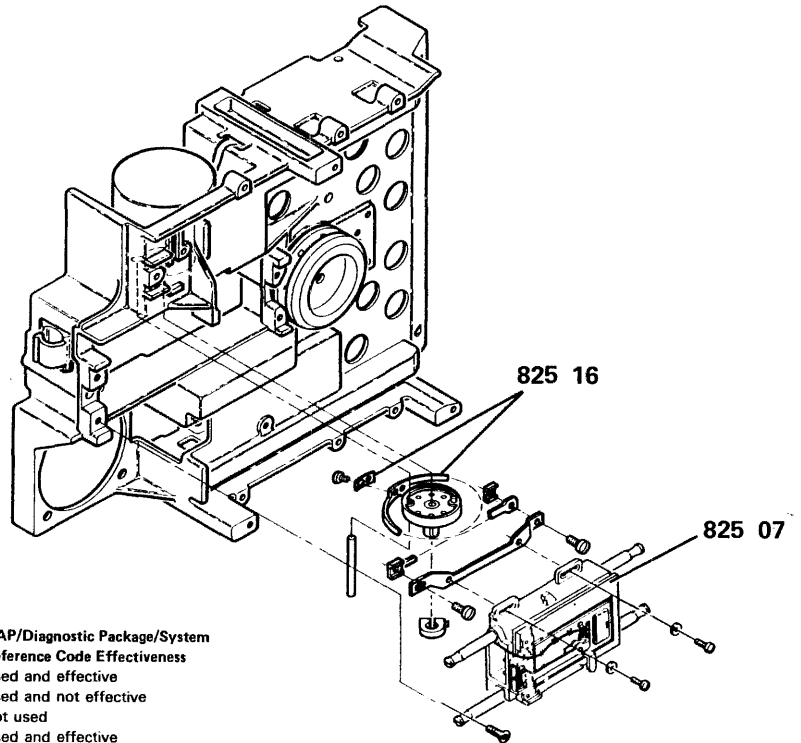
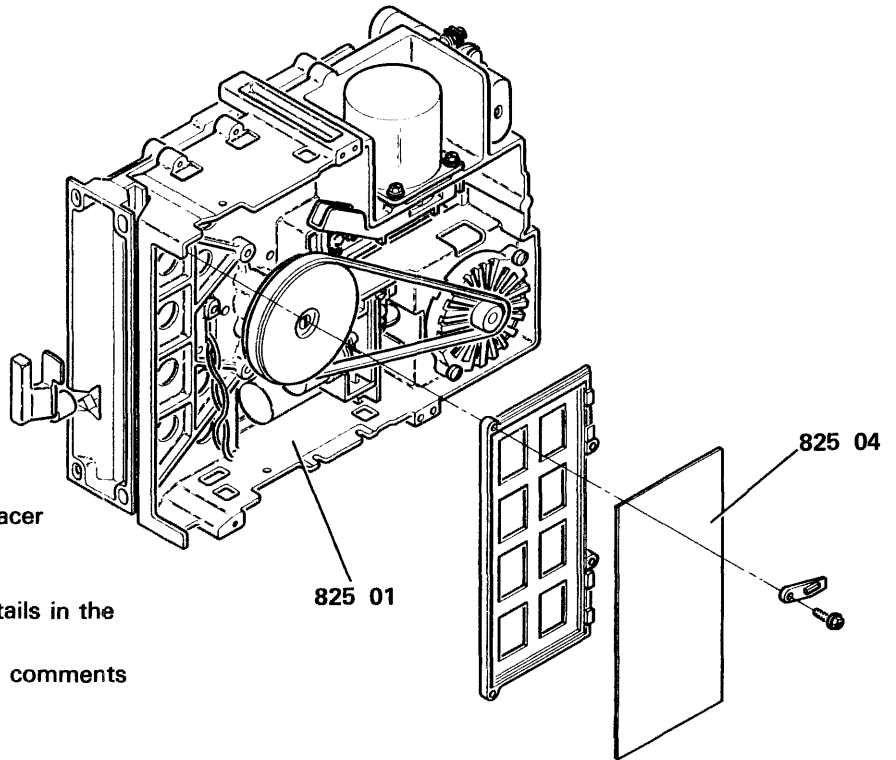
1 Reseat or reinstall the original part
 2 Swap for diagnostic purposes
 3 Exchange
 4 Adjust, repair, modify
 5 Clean or lubricate
 6 Other action—describe in the I/PAR comments section

Note: The MAPs/diagnostics/system reference codes are effective if they identify the failing part or send you to the correct repair action.

825 51TD DISKETTE DRIVE

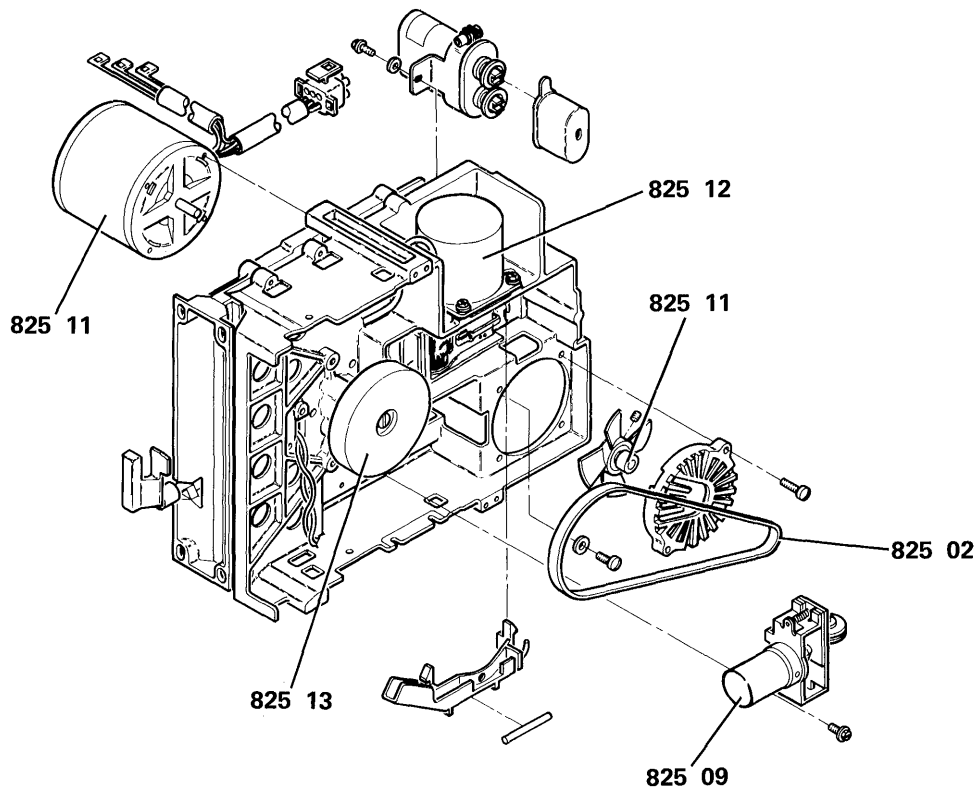
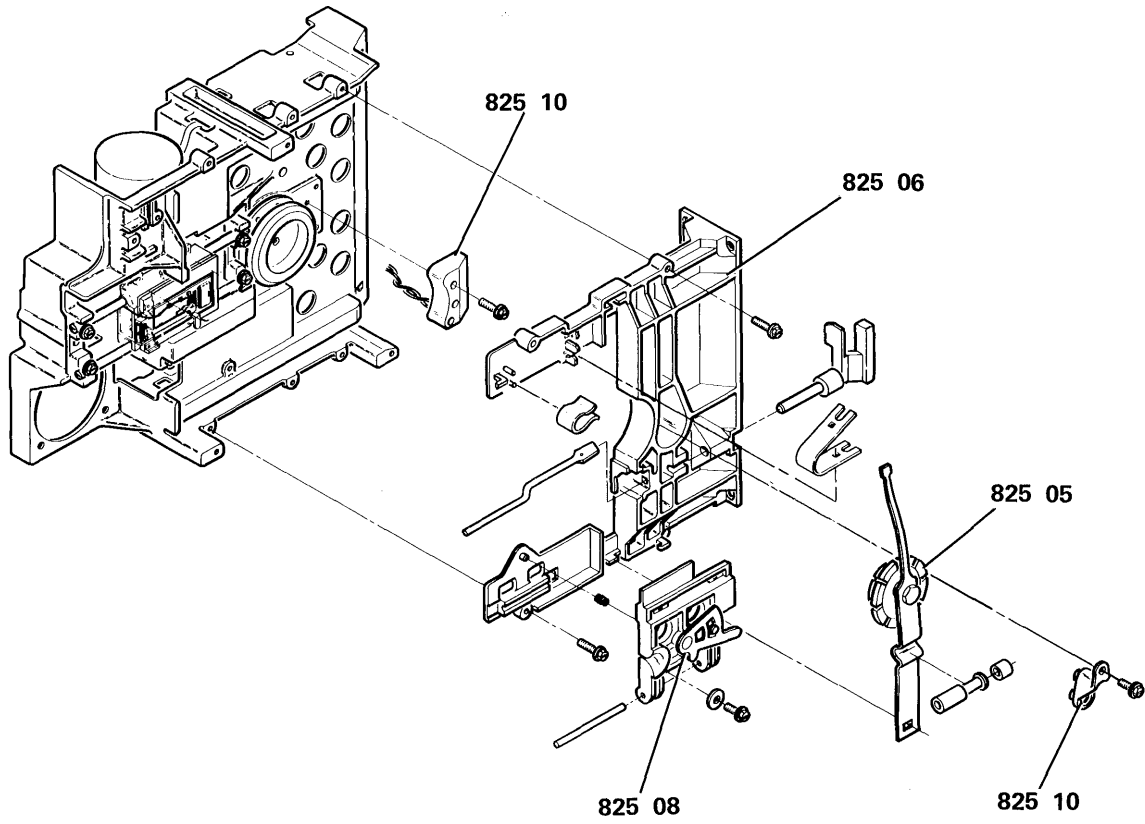
- 17 Band idler asm
- 01 Base/frame/mounting HW
- 82 Cables/connectors
- 16 Carriage drive band/clamp asm
- 05 Collet asm
- 06 Cover and latch
- 04 Diskette control card
- 02 Drive belt
- 07 Head/carriage asm
- 08 Head load actuator asm
- 09 Head load solenoid
- 10 LED/photo transistor
- 11 Motor-drive/pulley
- 12 Motor-stepper
- 13 Shaft-diskette drive/pulleys/spacer
- 99 Unit replace

- 93 No trouble found—record the details in the I/PAR comments section
- 00 Other—explain fully in the I/PAR comments section



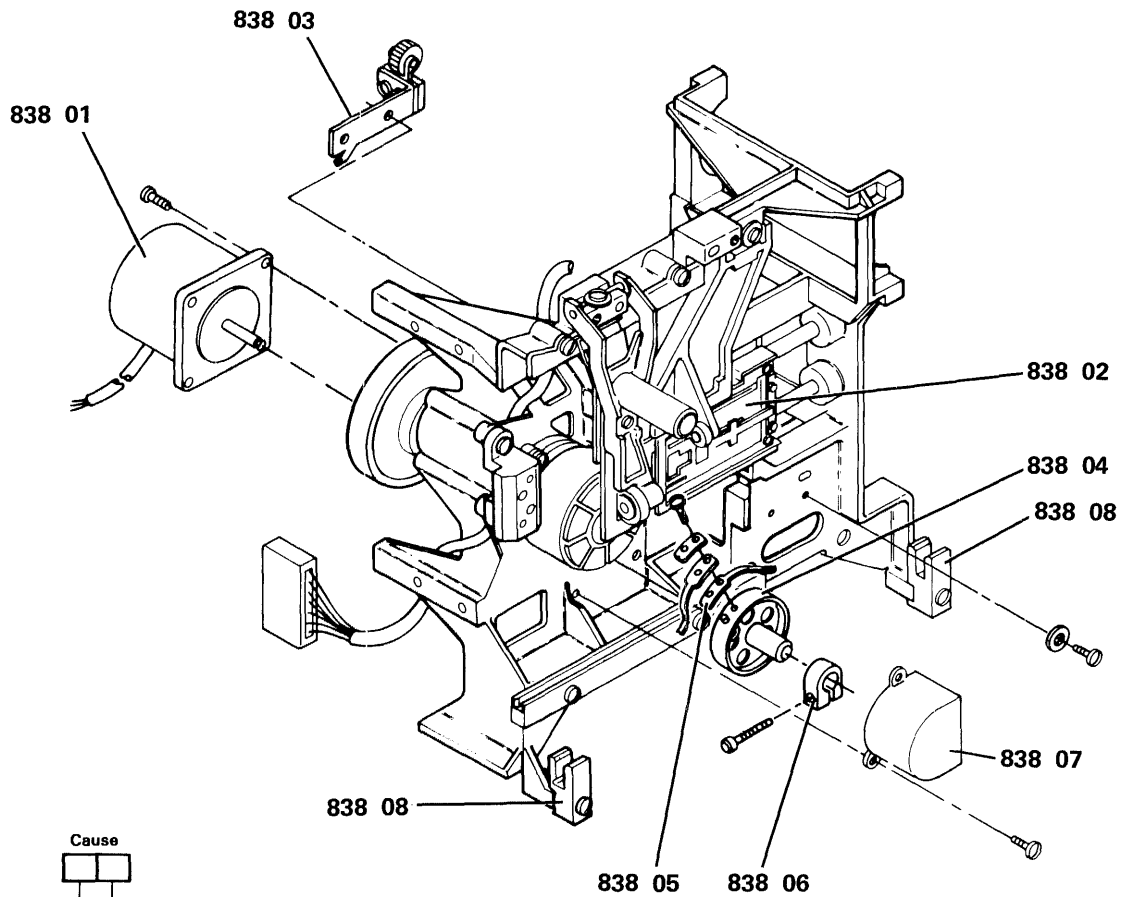
Cause			
Most Important Action	Failure Mode	MAP/Diagnostic Package/System Reference Code Effectiveness	
1 Reseat or reinstall the original part	Solid	2 Used and effective	3 Used and not effective 4 Not used 5 Used and effective 6 Used and not effective 7 Not used
2 Swap for diagnostic purposes		3 Used and not effective	
3 Exchange		4 Not used	
4 Adjust, repair, modify	Intermittent	5 Used and effective	
5 Clean or lubricate		6 Used and not effective	
6 Other action—describe in the I/PAR comments section		7 Not used	

Note: The MAPs/diagnostics/system reference codes are effective if they identify the failing part or send you to the correct repair action.



838 72MD ACCESS

- 05 Band
 - 08 Bracket
 - 82 Cables/connectors (not shown)
 - 06 Clamp/band pulley
 - 04 Drive pulley/band
 - 99 Drive unit replacement
 - 02 Head/carriage assembly
 - 03 Idler/band
 - 01 Motor-stepping
 - 07 Wiper/assembly
-
- 93 No trouble found—record the details in the I/PAR comments section
 - 00 Other—explain fully in the I/PAR comments section



Cause		
Most Important Action	Failure Mode	MAP/Diagnostic Package/System Reference Code Effectiveness
1	Solid	2
2		3
3		4
4	Intermittent	5
5		6
6		7
6		

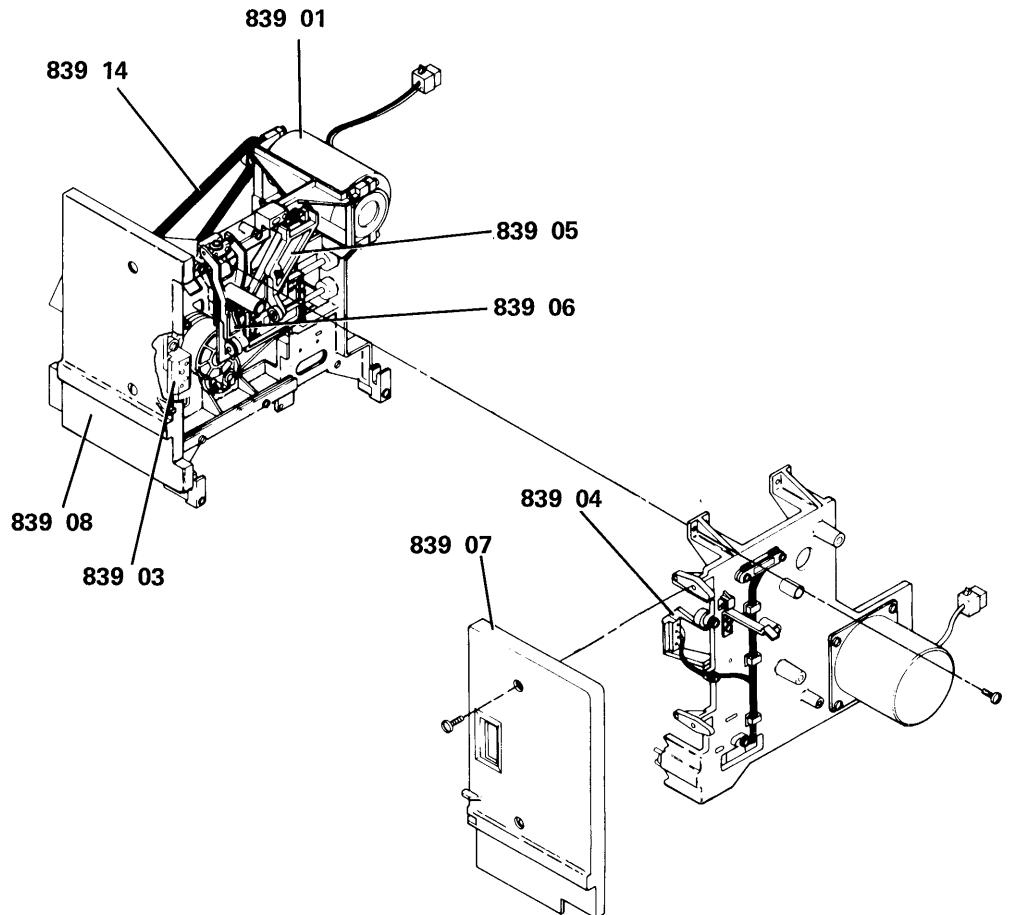
1 Reset or reinstall the original part
 2 Swap for diagnostic purposes
 3 Exchange
 4 Adjust, repair, modify
 5 Clean or lubricate
 6 Other action—describe in the I/PAR comments section

Note: The MAPs/diagnostics/system reference codes are effective if they identify the failing part or send you to the correct repair action.

839 72MD DRIVE

- 05 Bail assembly—head load
- 14 Belt
- 08 Bezel left
- 07 Bezel right
- 82 Cables/connectors (not shown)
- 06 Collet assembly
- 04 LED
- 01 Motor—AC drive
- 03 Sensor photo transistor
- 99 Unit replacement

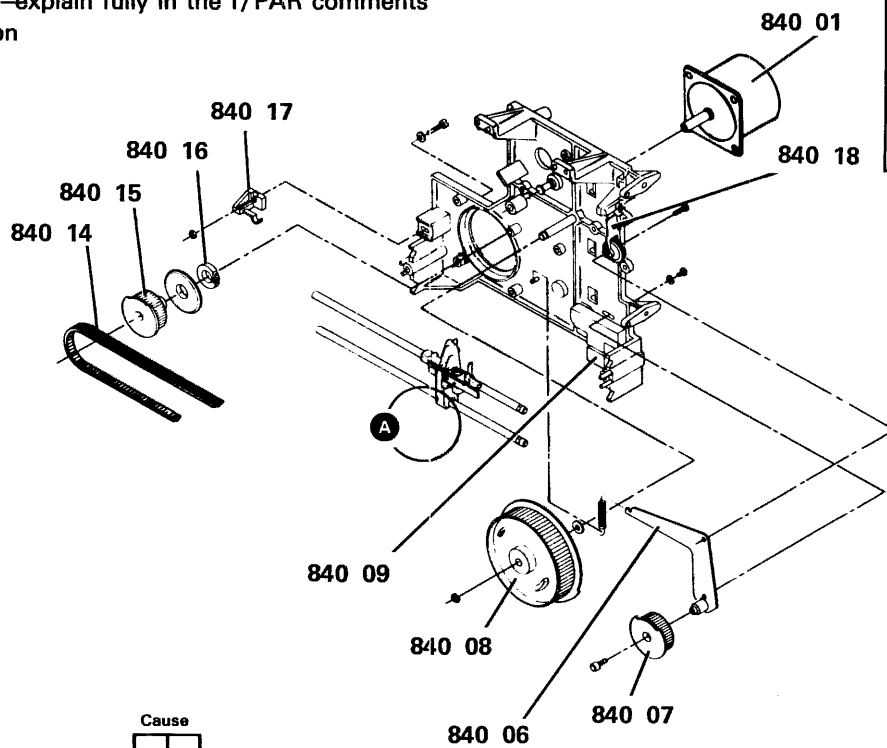
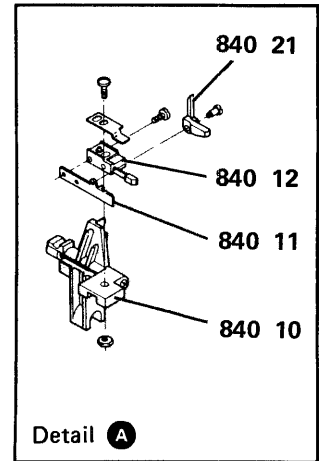
- 93 No trouble found—record the details in the I/PAR comments section
- 00 Other—explain fully in the I/PAR comments section



840 72MD AUTOLOADER

- 14 Belt
- 82 Cables/connectors (not shown)
- 08 Cam
- 16 Clamp
- 17 Detent
- 06 Idler assembly
- 18 Jam wheel
- 01 Motor-stepping
- 12 Picker arm, spring
- 11 Picker arm, stationary
- 10 Picker assembly
- 07 Pulley
- 15 Pulley
- 09 Sensor assembly/picker
- 21 Stripper
- 99 Unit replacement

- 93 No trouble found—record the details in the I/PAR comments section
- 00 Other—explain fully in the I/PAR comments section



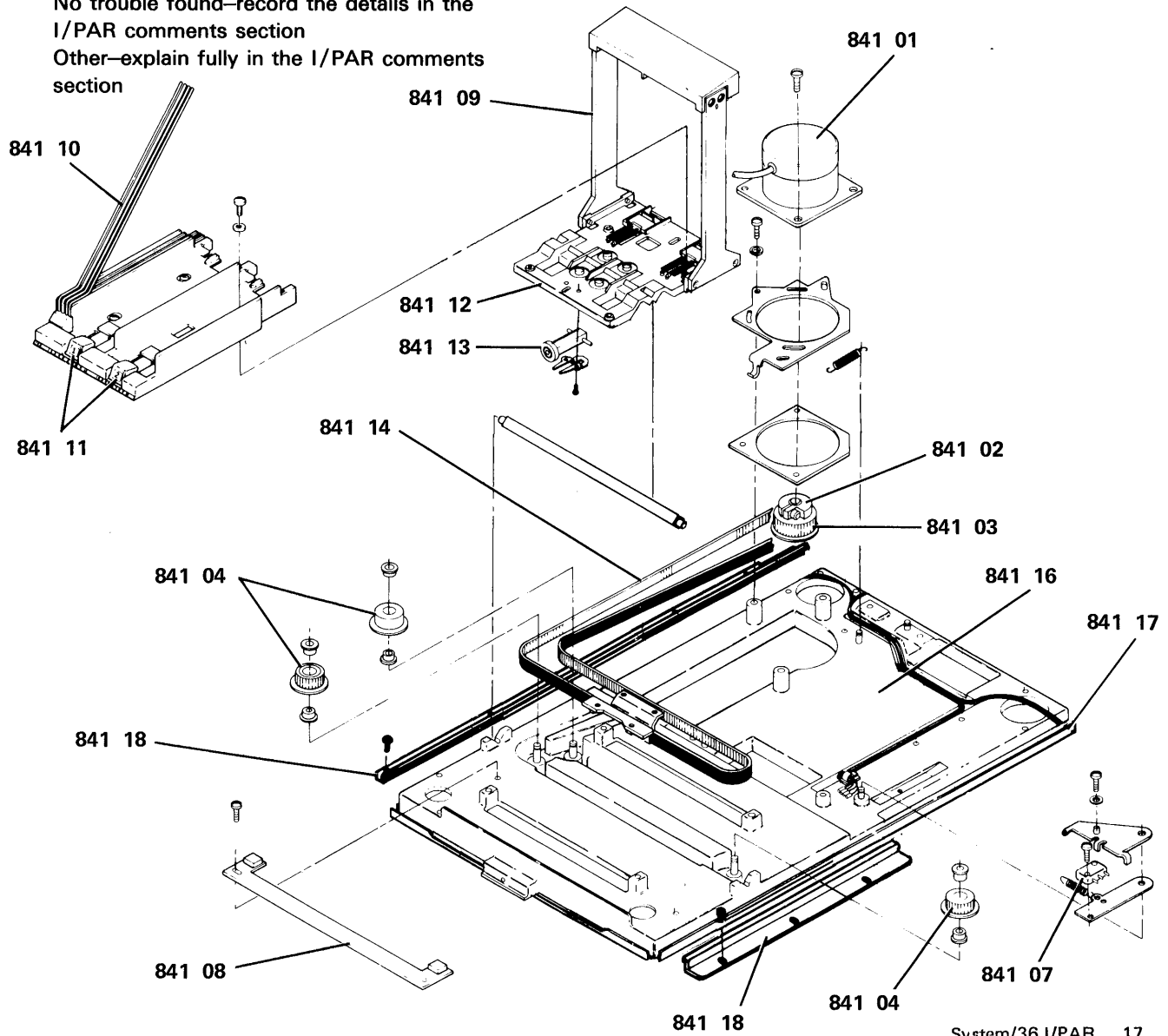
Cause		
Most Important Action	Failure Mode	MAP/Diagnostic Package/System Reference Code Effectiveness
1 Reset or reinstall the original part	Solid	2 Used and effective
2 Swap for diagnostic purposes		3 Used and not effective
3 Exchange		4 Not used
4 Adjust, repair, modify	Intermittent	5 Used and effective
5 Clean or lubricate		6 Used and not effective
6 Other action—describe in the I/PAR comments section		7 Not used

Note: The MAPs/diagnostics/system reference codes are effective if they identify the failing part or send you to the correct repair action.

841 72MD CARRIAGE

- 13 Arm assembly
- 16 Base
- 14 Belt/drive
- 82 Cables/connectors (not shown)
- 12 Carriage assembly
- 02 Clamp
- 10 Diskette guide assembly
- 01 Motor-stepping
- 17 Pan
- 04 Pulley assembly
- 03 Pulley/drive
- 18 Rack slide assembly
- 11 Retainer/magazine
- 08 Stop assembly
- 07 Switch/orient
- 09 Tray assembly
- 99 Unit replacement

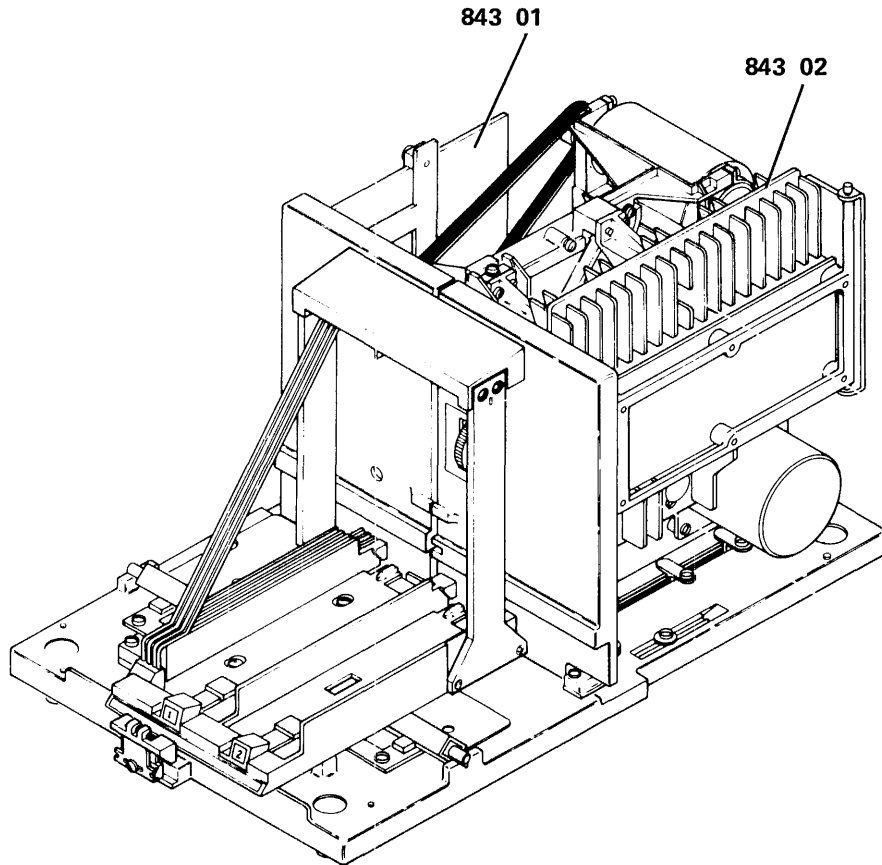
- 93 No trouble found—record the details in the I/PAR comments section
- 00 Other—explain fully in the I/PAR comments section



843 72MD LOGIC

- 82 Cables/connectors (not shown)
- 02 Driver circuit board
- 01 File control card

- 93 No trouble found—record the details in the I/PAR comments section
- 00 Other—explain fully in the I/PAR comments section

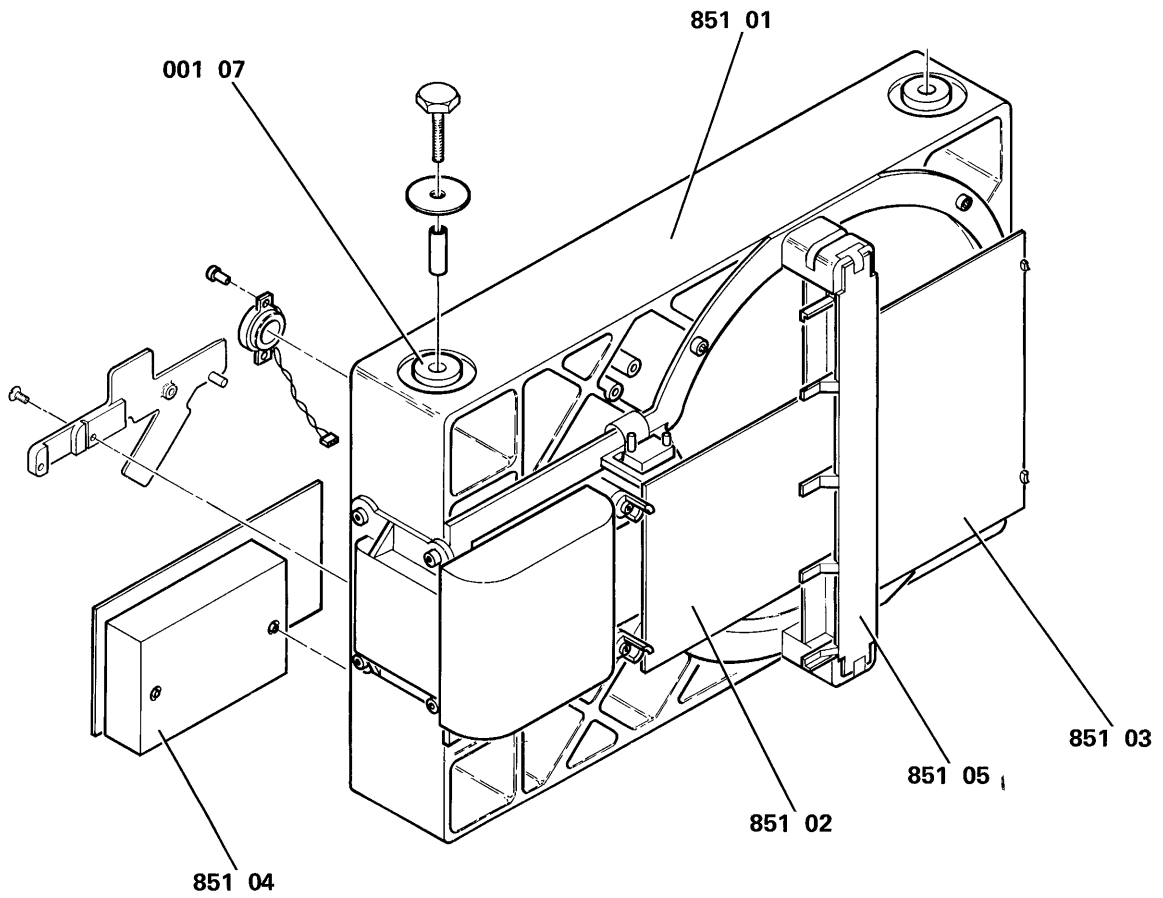


Cause		
Most Important Action	Failure Mode	MAP/Diagnostic Package/System Reference Code Effectiveness
1 Reset or reinstall the original part	Solid	2 Used and effective
2 Swap for diagnostic purposes		3 Used and not effective
3 Exchange		4 Not used
4 Adjust, repair, modify	Intermittent	5 Used and effective
5 Clean or lubricate		6 Used and not effective
6 Other action—describe in the I/PAR comments section		7 Not used

Note: The MAPs/diagnostics/system reference codes are effective if they identify the failing part or send you to the correct repair action.

851 21ED DISK DRIVE

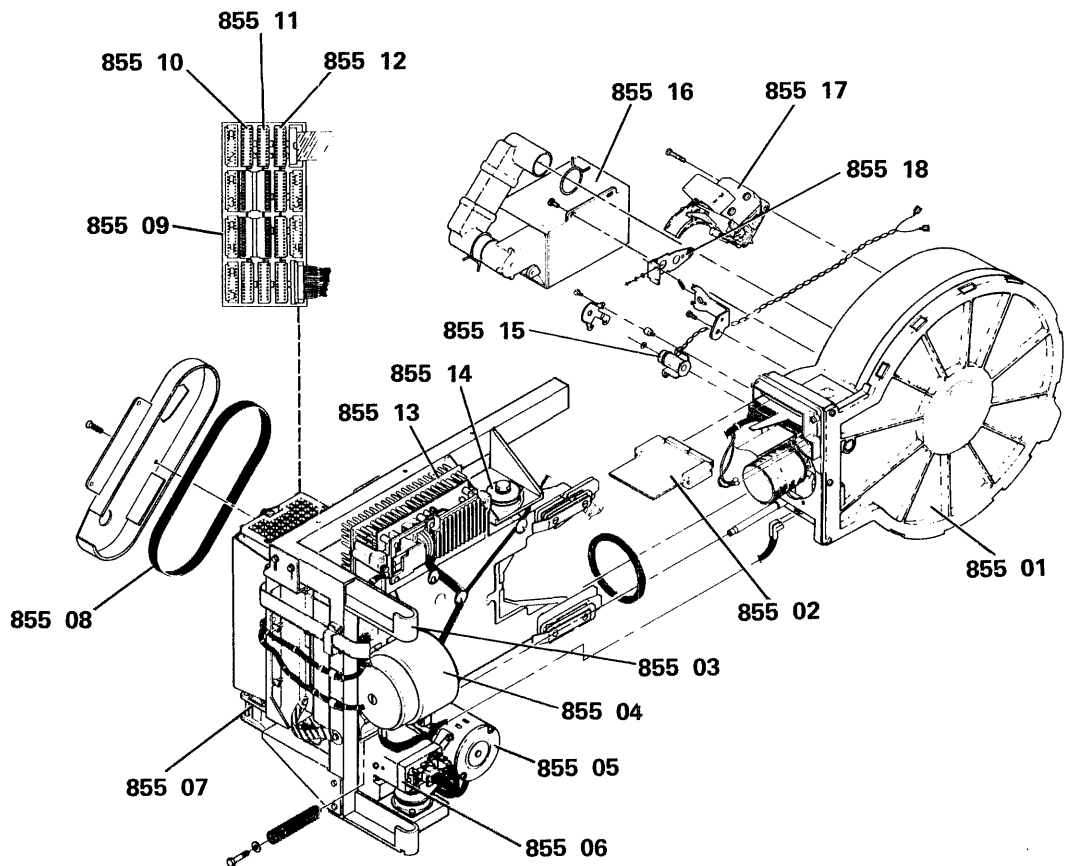
- 01 Disk enclosure
 - 02 Logic card, analog, B1A3
 - 03 Logic card, digital, A1A2
 - 04 Logic card, driver, C1A1
 - 05 Maple block
- 93 No trouble found—record the details in the I/PAR comments section
- 00 Other—explain fully in the I/PAR comments section



855 10SR DISK DRIVE

- 18 Anti-static brush
- 03 Base/frame
- 08 Belt
- 17 Brake
- 82 Cables/connectors
- 15 Carriage latch magnet
- 07 Fan
- 16 Filter
- 01 Head/disk assembly
- 09 Logic board
- 10 Logic card B2 (access)
- 11 Logic card C2 (data converter)
- 12 Logic card D2 (servo)
- 02 Logic card W1B1 (data channel)
- 05 Motor assembly
- 06 Power control assembly
- 14 Shock mounts
- 13 Voice coil driver
- 04 Voice coil magnet

- 93 No trouble found—record the details in the I/PAR comments section
- 00 Other—explain fully in the I/PAR comments section



Notes:

- 82 Cables/connectors (major 855-82=disk cables only, not interface or disk-to-disk cables)
- 03 Base/frame (include all hardware not associated with an assembly)

870 CUSTOMER RESPONSIBILITY

Note: Use only with service codes 14 and 30.

Minor Codes

Tens

- 7 Customer problem determination—not used/not provided
- 8 Customer problem determination—used and effective
- 9 Customer problem determination—used and not effective

Units

- 1 Electrical/mechanical noise/ESD
- 2 Environment—temperature/humidity
- 3 Hardware compatibility
- 4 Procedural error
- 5 Programming error
- 6 Power failure/incorrect voltage (external)/power line disturbance
- 7 Wiring error
- 8 Customer-owned cables
- 9 Media
- 0 Other

900 FUNCTIONAL MICROCODE

Note: Include APAR/MTR or patch number if applicable.

72 Failure identified incidents

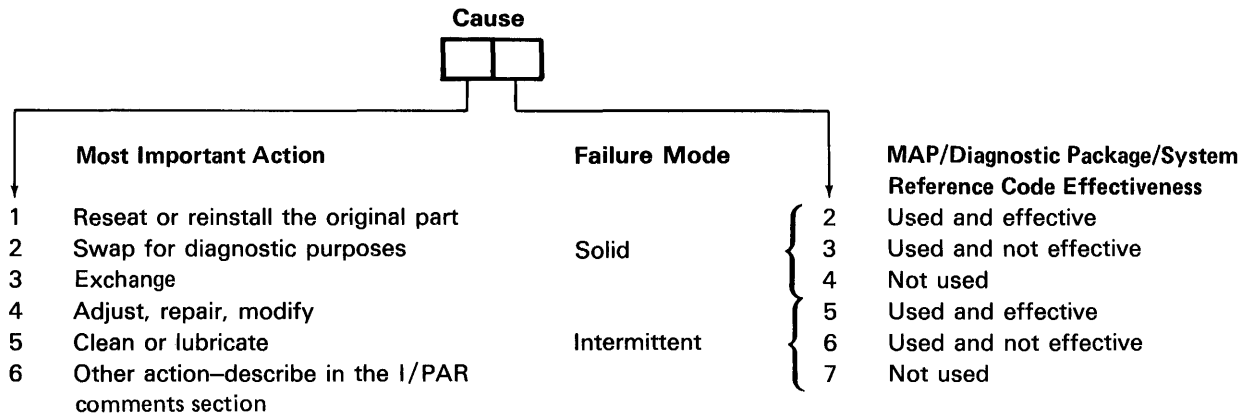
Cause codes

- 20 Error in IBM functional microcode
- 21 Permanent restriction
- 22 Error in IBM documentation
- 23 Error in EC/APAR
- 24 Wrong EC level

75 Problem determination

Cause codes

- 50 User cancelled/NTF
- 51 Operator/user error
- 53 Non-IBM software/customer program
- 54 Non-IBM hardware
- 55 IBM hardware



Note: The MAPs/diagnostics/system reference codes are effective if they identify the failing part or send you to the correct repair action.



International Business Machines Corporation

IBM System/36 5360 System Unit I/PAR Code Guide and CE/CSR Log Printed in U.S.A. ZY31-9012-1