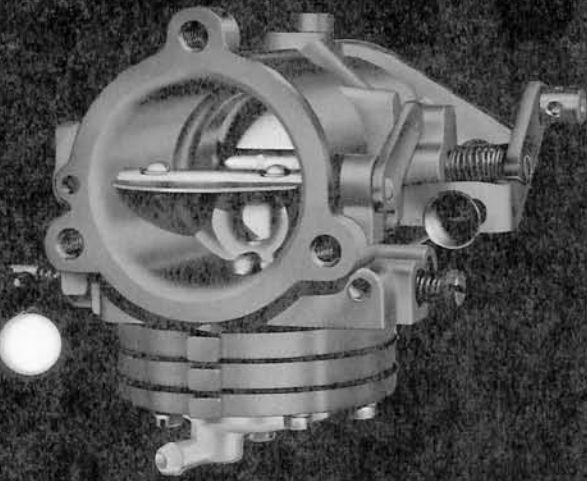
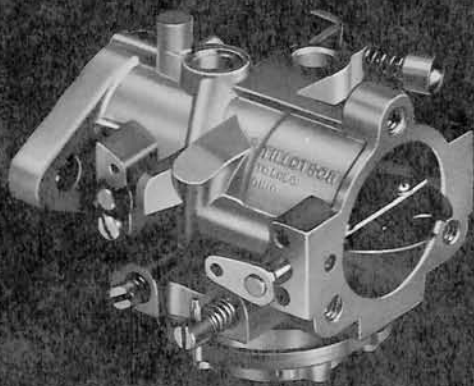


# SNOWMOBILE CARBURETORS



HD SERIES



HR SERIES

## APPLICATION AND DESCRIPTION

### Tillotson Carburetors

Marvel-Schebler/Tillotson Division, Borg-Warner Corporation  
761 Berdan Avenue, Box 6598, Toledo, Ohio 43612

 **Transportation  
Equipment**

The Form S-583 is a snowmobile application and description catalog printed to aid and assist service personnel.

The first portion is an application section listing the carburetors and the snowmobile equipment in manufacturer order.

The second section is a carburetor description section listing all the HD and HR Tillotson carburetors in numerical order, giving a brief description of each.

A cross reference is used between the two sections for carburetor interchange. Look up the manufacturer, model snowmobile and the engine size in the application section and find the correct carburetor model. By turning to the description section under the proper carburetor model find a similar model carburetor (No. 3) that comes closest to the description of the present carburetor.

Because of different hook-ups being required for each particular model snowmobiles, certain hook-up modifications may have to be made. Carburetors are listed as being "similar to" from the standpoint of the metering systems being the same. Therefore, the choke and throttle hook-ups may not be.

MANUFACTURER	YEAR	SNOWMOBILE MODEL	ENGINE CC/CYL	CARBURETOR	
Alouette	1968	GT, GTE	Sachs 290/1	HR-29A	
		GT, GTE	Sachs 290/1	HR-29A	
	1969	Custom	Sachs 280/1	HL-252A	
		GTO, GTOE	Sachs 370/1	HR-29A	
		Big Bird E	Sachs 370/1	HR-29A	
		1970	XL-14	Sachs 280/1	HR-52A
			XL-20, XL-20E	Sachs 290/1	HR-51A
			GT	Sachs 340/1	HD-29A
			XL-26, XL-26E	Kohler 399/2	HR-53A
			XL Big Bird	Kohler 399/2	HR-53A
			XL Big Bird E	Kohler 399/2	HR-53A
		1971	GTO	Kohler 440/2	HR-53A
	XL-14		Sachs 280/1	HR-52A	
	XL-20		Sachs 290/1	HR-91A	
	GT 23		Sachs 290/1	HD-29A	
	GT 27		Sachs 340/1	HD-29A	
	XL-24		Kohler 340/2	HR-79A	
	XL-28		Kohler 399/2	HR-79A	
	XL-30W		Kohler 440/2	HR-79B	
	GT 36		Kohler 440/2	HR-79B (2)	
	GTO-1		Hirth N/A	HD-47A	
	GTO-2		Sachs 740/2	HD-48A (2)	
	Villian 400		Kohler 440/2	HD-80A (2)	
	1973		Sno Brute 440	Sachs 440/2	HD-88A
			Sno Brute 340	Sachs 340/2	HD-88A
			Eliminator 440	Sachs 440/2	HD-89A
		Eliminator 340	Sachs 340/2	HD-88A	
		Eliminator 295	Sachs 295/2	HD-88A	
		Venture 440	Kohler 440/2	HR-79B	
		Escort II	Sachs 290/2	HR-144B	
		Escort I	Kohler 295/2	HR-124A	
		Sno Duster	Kohler 295/1	HR-147A	
		1974	SA2-441	Sachs 440/2	HD-135A
	Escort II		Sachs 290/2	HR-144A	
	Alsport	1973		CCW 295 & 340/2	HR-157A
	Arctic Ent.	1970	N/A	Kawasaki 292/1	HR-70A
N/A			Kohler 440 & 399/2	HR-49A	
1971		N/A	Kohler 295/1	HR-49B	
		N/A	Hirth 634/2	HR-50A	
		N/A	Kawasaki 435/2	HD-61A	
1972		N/A	Kawasaki 440/2	HD-62A	
		N/A	Kawasaki 399/2	HD-87A	
		N/A	Kawasaki 340/2	HD-87A	
		N/A	Kohler 340/2	HD-87A	
		N/A	Wankel 303	HL-289A	
		Panther 303W	Kawasaki 292/1	HR-109A	
		Panther 292/1B		HR-70B	
Lynx 292/1B		Kawasaki 292/1	HR-70B		
Ariens	1969	300/III	Sachs 297/1	HR-18A	
		295S	Sachs 293/1	HR-18A	
	1970	400L	Kohler 399/2	HR-42A	
		400LE, 400SS	Kohler 399/2	HR-42A	
		440SS	Kohler 436/2	HR-42A	
		275S	Sachs 277/1	HL-252A	
		300S	Sachs 293/1	HR-61A	
		350S	Kohler 338/2	HR-79B	

MANUFACTURER	YEAR	SNOWMOBILE MODEL	ENGINE CC/CYL	CARBURETOR	
Auto-Ski	1973	Midget 225	CCW 225/1	HR-18A	
		Midget 290 SGL	Sachs 293/1	HR-18A	
		Midget 290 TWN	CCW 290/2	HR-18A	
		Bonanza 290	CCW 290/2	HR-18A	
		Bonanza 340	Sachs 338/2	HD-13A	
		Bonanza 440	Sachs 436/2	HD-13A	
		Spitfire 290	CCW 290/2	HD-13A	
		Spitfire 340	Sachs 338/2	HD-13A	
		Spitfire 440	Sachs 436/2	HD-13A	
		Spitfire SS 440	Sachs 436/2	HD-13A	
		Mach 340	Sachs 338/2	HD-13A	
		Mach 440	Sachs 431/2	HD-13A	
		Mach 650	Sachs 647/2	HD-13A	
Bolens Huski	1970	Bolens "Sprint"	Gutbrod 290/2	HR-89A	
		Bolens "Economy"	N/A	HL-279A	
	1971	Bolens "Wide Track"	Gutbrod 393 & 440/2	HR-111A	
	1972	Bolens "Wide Track"	Kiekhaefer 438/2	HD-95A	
		Bolens "Sport"	Kiekhaefer 438/2	HD-94A	
Evinrude (OMC)	1973	Norseman 27HP	OMC 437/2	HD-37B	
		Norseman 30HP	OMC 437/2	HD-37B	
		Trailblazer 30HP	OMC 437/2	HD-11A	
		Bobcat SS 30HP	OMC 399/2	HD-37B	
		Bobcat SS 32HP	OMC 437/2	HD-37B	
	1974	Scrambler 5	OMC 650/2	HD-129A	
Harley-Davidson	1971	N/A	Aeramacchi 399/2	HD-77A	
	1974	Y-398	398/2	HD-141A	
		Y-440	440/2	HD-139A	
		Y-398	398/2	HD-77B	
		Y-440	440/2	HD-77B	
Herters	1970	N/A	JLO 295/1	HR-61A	
		N/A	Lloyd 386/2	HR-62A	
		N/A	JLO 395/1	HD-33A	
		N/A	JLO 340/1	HD-34A	
			N/A	JLO 440/2	HD-36A
	1972	Yukon	Kohler 340/2	HD-49B	
		Kodiak	Sachs 440/2	HD-64A	
		Nitro GI	Kohler 340/2	HD-79B	
Nitro GIII		Sachs 440/2	HD-64A		
Johnson	1973	Reveler 27	OMC 437/2	HD-37B	
		Reveler 30	OMC 437/2	HD-37B	
		Rampage 30	OMC 399/2	HD-37B	
		Rampage 32	OMC 437/2	HD-37B	
		Skee-Horse 30	OMC 437/2	HD-11A	
		Golden Ghost 30	OMC 437/2	HD-11A	
Mercury Marine	1968	150	Mercury 320/2	MD-146A	
	1969-70	220	Mercury 399/2	MD-147A	
	1970-71	200	Hirth 292/1	HR-66A	
	1971	Rocket	CCW 339/2	HR-84A	
		Lightning	CCW 398/2	HR-84A	
	1972	Hurricane	Mercury 644/2	OM-40A	
		Lightning	CCW 398/2	HR-113A	
	1973	440 Max	CCW 438/2	HD-115A	
		Mark I	Mercury 644/2	OM-41A	
		Racing	Mercury 644/2	HD-127A (2)	

MANUFACTURER	YEAR	SNOWMOBILE MODEL	ENGINE CC/CYL	CARBURETOR	
Moto Ski	1973	Cadet	BSE 250/1	HR-139A	
		Capri	Rotax 296/2	HR-139A	
		Capri 340	BSE 340/2	HR-140A	
				HR-145A	
		Capri 440	BSE 440/2	HD-113A	
				HD-121A	
		Zephyr 340	BSE 340/2	HR-140A	
				HR-145A	
		Zephyr 440	BSE 440/2	HD-121A	
				HD-113A	
	Zephyr F296	Rotax 296/2	HR-139A		
	Zephyr F340	BSE 340/2	HR-140A		
			HR-145A		
	Zephyr F440	Rotax 439/2	HD-113A		
			HD-121A		
			HD-122B (2)		
	1974	Zephyr S400	Rotax 399/2	HR-139A	
Zephyr S440		Rotax 439/2	HR-140A		
Free Air		Rotax 399/2	HR-145A		
Free Air		Rotax 439/2	HD-113A		
Cadet		BSE 250/1	HD-122A		
Capri		BSE 295/2	HD-122A		
		HR-156A			
		HR-159A			
Polaris	1973	Star 250 Single	Star 250/1	HR-163A	
Rupp	1968	GT-300	Sachs 298/1	HR-8A	
		S-281	Sachs 281/1	HL-207B	
	1969	S-281	Sachs 275/1	HR-18A	
		GT-300, GTE-300	Sachs 298/1	HR-18A	
		GTX-295	Sachs 295/1	HD-14A	
		GT-370, GTE-370	Sachs 368/1	HD-14A	
		GTX-340	Sachs 340/1	HD-14A	
		GTX-400	Sachs 400/1	HD-14A	
		GTX-740	Sachs 740/2	HR-30A	
		1970	S-29	Sachs 295/1	HR-67A
			S-34	Sachs 340/1	HD-38A
			S-44, S-44E	Hirth 440/2	HD-38A
	WT-440		JLO 440/2	HD-38A	
	WT-634		Hirth 634/2	HD-38A	
	M-29		JLO 295/1	HD-38A	
	M-34		Sachs 340/1	HD-38A	
	M-400	Hirth 400/2	HR-67A (2)		
	M-440	Sachs 440/2	HD-38A		
	M-634	Hirth 634/2	HD-38A		
	440 X	CCW 400	HD-38A		
	1971	S-29	Sachs 295/1	HR-67A	
		S-34	CCW 340/2	HR-67A	
		WT-634	Hirth 634/2	HD-38A	
1973	M800	Hirth 793/3	HD-38A		
	Sport 25	Rupp 295/2	HR-141A		
	Sport 30, American 30	Rupp 340/2	HR-141A		
	American 40,	Rupp 440/2	HD-119A		
	American 40E	Rupp 440/2	HD-119A		
	Nitro 295	Rupp 295/2	HR-141A		
	Nitro 340	Rupp 340/2	HR-141A		
	Nitro 400	Rupp 400/2	HD-119A		
	Nitro 440	Rupp 440/2	HD-119A		
	Nitro (Free Air)	Rupp 440/2	HD-105B (2)		
Scorpion	1970	N/A	Sachs 440/2	HD-56A	
	1971	Stinger II	Sachs 340/1	HD-85A	
		N/A	Sachs 275/1	HR-95A	
		N/A	Sachs 293/1	HR-95A	
		N/A	CCW 293/2	HR-95A	

MANUFACTURER	YEAR	SNOWMOBILE MODEL	ENGINE CC/CYL	CARBURETOR
Scorpion (Cont.)	1971	N/A	CCW 400/2	HR-97A
	1972	Mark I	Sachs 277/1	HR-115A
		Stinger I	Sachs 293/1	HR-116A
		Stinger II	CCW 290/2	HR-121A
Ski-Doo	1970	Nordic	Rotax 640/2	HD-20B
		TNT	Rotax 640/2	HD-20B
		TNT	Rotax 775/3	HD-20B
		TNT	Rotax 440/2	HD-21B
	1971	Nordic,Valmont,	Rotax 434/2	HR-112A
		Alpine	Rotax 434/2	HR-112A
		Valmont	Rotax 640/2	HD-66A
		Blizzard (racing)	Rotax 440/2	HD-72A
		Blizzard (racing)	Rotax 797 & 645/3	HD-72A
		TNT	Rotax 435/2	HD-73A
		Nordic,Valmont,Alpine	Rotax 640/2	HD-81A
		Blizzard (racing)	Rotax 293/	HR-128A (2) & (3)
		Blizzard (racing)	Rotax 339/	HR-128A
		TNT	Rotax 440/2	HD-83A
	1972	TNT	Rotax 343/2	HD-98A
		Blizzard (racing)	Rotax 395/2	HD-99A
		Blizzard (racing)	Rotax 797/3	HD-99A
		TNT	Rotax 640/2	HD-101A (2)
		TNT (Free Air)	Rotax 398/2	HD-104A (2)
		TNT	Rotax 440/2	HD-105A (2)
		Olympic	Rotax 338/2	HR-131A
		Olympic	Rotax 302/1	HR-132A
		Elan	Rotax 247/1	HR-133A
		Olympic	Rotax 401/2	HR-134A
		400 Olympic	Rotax 434/2	HR-135A
		Elan	Rotax 248/2	HR-136A
		TNT	Rotax 294/2	HR-137A (2)
		Elan SS	Rotax 249/2	HR-143A (2)
		TNT (Free Air)	Rotax 346/2	HR-149A (2)
		TNT	Rotax 343/2	HD-107A
		434 Nordic	Rotax 434/2	HD-108A
		TNT	Rotax 435/2	HD-109A
		Nordic	Rotax 640/2	HD-110A
		TNT (Free Air)	Rotax 400/2	HD-123A (2)
	Blizzard (racing)	Rotax 640/3	HD-100AX (3)	
	Blizzard (racing)	Rotax 800/3	HD-100AX (3)	
	1973	Elite	Rotax 434/2	HD-128A
		Alpine	Rotax 640/2	HD-124A
		441 Blizzard	Rotax 438/2	HD-131A
		Elan SS	Rotax 249/2	HR-143A (2)
		Free Air (racing)	Rotax 338/3	HR-152A
		TNT Free Air	Rotax 440/2	HRM-3A (2)
		Nordic	Rotax 640/2	HD-133A
		TNT 343	Rotax 343/2	HD-134A
		TNT	Rotax 440/2	HD-138A
		Elite	Rotax 440/2	HD-140A
		Elan	Rotax 248/2	HR-155A
Elan SS		Rotax 294/2	HR-161A	
TNT		Rotax 294/2	HR-164A	
Skiroule	1970	N/A	Sachs 277 & 292/1	HR-82A
		N/A	Solo 220/1	HR-85A
	1971	N/A	CCW 340 & 400/2	HR-90A
		Competition	Sachs 292/1	HD-44A
		N/A	Sachs 292/1	HR-122A
		N/A	Sachs 292/1	HD-90A
		N/A	Sachs 340/2	HD-91A
	1972	N/A	Sachs 440/2	HD-92A
		N/A	Sachs 440/2	HD-92A (2)
		RT 300	Sachs 293/1	HR-122A
		RT 300-T	Sachs 291/2	HR-122A
				HR-148A

MANUFACTURER	YEAR	SNOWMOBILE MODEL	ENGINE CC/CYL	CARBURETOR	
Ski Whiz	1968-69	Ski Whiz	JLO 297/1	HR-33A	
	1969-70	Ski Whiz	JLO 380/1	HD-19A	
		MF-300S	JLO 295/1	HR-54A	
	1969-71	MF-500SST	JLO 440/2	HR-55A	
	1970-71	MF-350S	JLO 340/1	HR-56A	
		MF-300S	JLO 295/1	HR-54B	
		MF-400SST	JLO 340 & 440/2	HD-49A	
		MF-500SST	JLO 340 & 440/2	HD-49A	
		Formula I	JLO 340 & 440/2	HD-49A	
		Formula II	JLO 340 & 440/2	HD-49A	
		MF-500 Special	JLO 340 & 440/2	HD-49A	
	1971-72	Formula III	JLO 340 & 440/2	HR-123A	
		Formula IV	JLO 340 & 440/2	HR-123A	
	1972-73	MF-300	JLO 295/1	HR-146A	
		MF-340T	JLO 340 & 440/2	HD-120A	
		MF-400T	JLO 340 & 440/2	HD-120A	
		MF-440T	JLO 340 & 440/2	HD-120A	
		MF-440WT	JLO 340 & 440/2	HD-120A	
		MF-400WT	JLO 340 & 440/2	HD-120A	
		1973		400/2	HD-136A
				440/2	HD-136A
			400/2	HD-162A	
			440/2	HR-162A	
Sno-Jet	1973	Star Jet	Yamaha 292/	HR-130A	
			Yamaha 338/2	HD-106A	
			Yamaha 433/2	HD-106A	
	1974	Model 193R3	Hirth 292/1	HR-153A	
			Star Jet	HD-132A	
			Star Jet	HD-132A	
	Yamaha Y292 Single	Yamaha 292/1	HR-158A		
Swinger	1973	Swinger Model 230	JLO 230/1	HR-125A	

NOTE: Interchange list of snowmobile carburetors to assist service personnel.

Carburetors are listed as being "similar to" from the stand point of the metering systems being the same. Therefore, the choke and throttle hook-ups may not be.

Replacing a carburetor without a recirculator with a carburetor with a recirculator, a recirculator fuel line must be installed from the carburetor to the fuel tank. In the reverse case, the recirculator line should be removed.

The main fuel jet is a fixed jet with an adjustable screw, a fixed orifice with a replaceable jet or an adjustable screw with a replaceable jet.

HDR-1A	1.6" Venturi	HD-6BX	1-½" Venturi
	<ol style="list-style-type: none"> <li>To be used with FPR Racing Fuel Pump</li> <li>No Recirculator</li> <li>Similar to HDR-1B</li> <li>L.H. Thread, Adjustable-Replaceable Jet</li> <li>Marvel-Schebler/Tillotson</li> </ol>		<ol style="list-style-type: none"> <li>External Pulse with FP-5 Fuel Pump Asm.</li> <li>No Recirculator</li> <li>Similar to HD-6A, HD-6B, HD-7A, HD-7AX, HD-9A, HD-10A, HD-10AX, HD-13A &amp; HD-14A</li> <li>R.H. Thread, Adjustable-Replaceable Jet</li> <li>1968 Polaris, 1967 Trade Winds</li> </ol>
HDR-1B	1.6" Venturi	HD-7A	1-½" Venturi
	<ol style="list-style-type: none"> <li>To be used with FPR Racing Fuel Pump</li> <li>No Recirculator</li> <li>Similar to HDR-1A</li> <li>L.H. Thread, Adjustable-Replaceable Jet</li> <li>Marvel-Schebler/Tillotson</li> </ol>		<ol style="list-style-type: none"> <li>External Pulse</li> <li>No Recirculator</li> <li>Similar to HD-6A, HD-6B, HD-6BX, HD-7AX, HD-9A, HD-10A, HD-10AX, HD-13A &amp; HD-14A</li> <li>R.H. Thread, Adjustable-Replaceable Jet</li> <li>1968 Lionel, 1968 Polaris, 1967 Sno-Jet, 1968 Moto Ski, 1967 Trade Winds, 1968 Herters, 1968 Larson, 1968 Fox Corp., 1967 Rupp</li> </ol>
HD-4A	1-½" Venturi		
	<ol style="list-style-type: none"> <li>External Pulse with FP-6 Fuel Pump Asm.</li> <li>No Recirculator</li> <li>R.H. Thread, Adjustable-Replaceable Jet</li> <li>1966 Ski-Doo</li> </ol>		
HD-6A	1-½" Venturi	HD-7AX	1-½" Venturi
	<ol style="list-style-type: none"> <li>External Pulse with FP-5 Fuel Pump Asm.</li> <li>No Recirculator</li> <li>Similar to HD-6B, HD-6BX, HD-7A, HD-7AX, HD-9A, HD-10A, HD-10AX, HD-13A, HD-14A</li> <li>R.H. Thread, Adjustable-Replaceable Jet</li> <li>1966-67 AMF, 1967 Arctic, 1967 Larson, 1967 Polaris, 1968 Boatel</li> </ol>		<ol style="list-style-type: none"> <li>External Pulse</li> <li>No Recirculator</li> <li>Similar to HD-6A, HD-6B, HD-6BX, HD-7A, HD-9A, HD-10A, HD-10AX, HD-13A HD-14A</li> <li>R.H. Thread, Adjustable-Replaceable Jet</li> <li>Powered Products, Sno-Jet</li> </ol>
HD-6B	1-½" Venturi	HD-8A	1-½" Venturi
	<ol style="list-style-type: none"> <li>External Pulse with FP-5 Fuel Pump Asm.</li> <li>No Recirculator</li> <li>Similar to HD-6A, HD-6BX, HD-7A, HD-7AX, HD-9A, HD-10A, HD-10AX, HD-13A, &amp; HD-14A</li> <li>R.H. Thread, Adjustable-Replaceable Jet</li> <li>1968 Herters, 1968 Polaris, 1967 Sno-Jet</li> </ol>		<ol style="list-style-type: none"> <li>Internal Pulse</li> <li>No Recirculator</li> <li>Similar to HD-8B</li> <li>R.H. Thread, Adjustable-Replaceable Jet</li> <li>Ski-Doo</li> </ol>



HD-8B	1-½" Venturi	HD-13A	1-½" Venturi
	<ol style="list-style-type: none"> <li>1. Internal Pulse</li> <li>2. No Recirculator</li> <li>3. Similar to HD-8A</li> <li>4. L.H. Thread, Adjustable-Replaceable Jet</li> <li>5. Ski-Doo</li> </ol>		<ol style="list-style-type: none"> <li>1. External Pulse</li> <li>2. No Recirculator</li> <li>3. Similar to HD-6A,HD-6BX, HD-7A,HD-7AX,HD-9A,HD-10A, HD-10AX &amp; HD-14A</li> <li>4. L.H. Thread, Adjustable-Replaceable Jet</li> <li>5. Allied Farm, Arctic, Trade Winds, Lionel, Rupp, Trail-A-Sled, Ariens, Boa Ski, Fox, Polaris, Poloron, Silverline, Skiroule, Sno-Jet, Viking</li> </ol>
HD-9A	1-½" Venturi	HD-14A	1-½" Venturi
	<ol style="list-style-type: none"> <li>1. External Pulse</li> <li>2. No Recirculator</li> <li>3. Similar to HD-6A,HD-6B, HD-6BX,HD-7A,HD-7AX, HD-10A,HD-10AX,HD-13A &amp; HD-14A</li> <li>4. R.H. Thread, Adjustable-Replaceable Jet</li> <li>5. Arctic</li> </ol>		<ol style="list-style-type: none"> <li>1. External Pulse</li> <li>2. No Recirculator</li> <li>3. Similar to HD-6A,HD-6B,HD-6BX, HD-7A, HD-7AX, HD-9A, HD-10A, HD-10AX, HD-13A, HD-117A</li> <li>4. L.H. Thread, Adjustable-Replaceable Jet</li> <li>5. Arctic, Rupp, Trail-A-Sled, Boatel, Fox, Herters, Muscat, Polaris</li> </ol>
HD-10A	1-½" Venturi	HD-15A	1-½" Venturi
	<ol style="list-style-type: none"> <li>1. External Pulse</li> <li>2. No Recirculator</li> <li>3. Similar to HD-6A,HD-6B, HD-6BX, HD-7A, HD-7AX, HD-9A, HD-10AX, HD-13A, &amp; HD-14A</li> <li>4. R.H. Thread, Adjustable-Replaceable Jet</li> <li>5. Arctic</li> </ol>		<ol style="list-style-type: none"> <li>1. External Pulse</li> <li>2. No Recirculator</li> <li>3. Similar to HD-13A</li> <li>4. L.H. Thread, Adjustable-Replaceable Jet</li> <li>5. AMF Ski-Daddler</li> </ol>
HD-10AX	1-½" Venturi	HD-16A	1-½" Venturi
	<ol style="list-style-type: none"> <li>1. External Pulse</li> <li>2. No Recirculator</li> <li>3. Similar to HD-6A,HD-6B, HD-6BX, HD-7A, HD-7AX, HD-9A, HD-10A, HD-13A &amp; HD-14A</li> <li>4. R.H. Thread, Adjustable-Replaceable Jet</li> <li>5. Arctic</li> </ol>		<ol style="list-style-type: none"> <li>1. External Pulse</li> <li>2. No Recirculator</li> <li>4. L.H. Thread, Adjustable-Replaceable Jet</li> <li>5. AMF Ski-Daddler</li> </ol>
HD-11A	1-½" Venturi	HD-17A	1-½" Venturi
	<ol style="list-style-type: none"> <li>1. No Pulse (Gravity Fed)</li> <li>2. No Recirculator</li> <li>3. Similar to HD-37A</li> <li>4. L.H. Thread, Adjustable-Replaceable Jet</li> <li>5. Evinrude</li> </ol>		<ol style="list-style-type: none"> <li>1. External Pulse</li> <li>2. No Recirculator</li> <li>3. Similar to HD-13A</li> <li>4. L.H. Thread, Adjustable-Replaceable Jet</li> <li>5. Moto-Ski</li> </ol>
HD-12A	1-½" Venturi	HD-18A	1-½" Venturi
	<ol style="list-style-type: none"> <li>1. External Pulse</li> <li>2. No Recirculator</li> <li>3. Similar to HD-7AX</li> <li>4. R.H. Thread, Adjustable-Replaceable Jet</li> <li>5. Moto-Ski</li> </ol>		<ol style="list-style-type: none"> <li>1. External Pulse</li> <li>2. No Recirculator</li> <li>3. Similar to HD-13A</li> <li>4. L.H. Thread, Adjustable-Replaceable Jet</li> <li>5. Trade Winds</li> </ol>

HD-19A	1- $\frac{1}{2}$ " Venturi	HD-23A	1- $\frac{1}{2}$ " Venturi
	<ol style="list-style-type: none"> <li>1. External Pulse</li> <li>2. No Recirculator</li> <li>3. Similar to HD-13A</li> <li>4. L.H. Thread, Adjustable-Replaceable Jet</li> <li>5. Ski-Whiz</li> </ol>		<ol style="list-style-type: none"> <li>1. External Pulse</li> <li>2. Recirculator</li> <li>3. Similar to HD-14A, HD-16A</li> <li>4. L.H. Thread, Adjustable-Replaceable Jet</li> <li>5. Arctic</li> </ol>
HD-20A	1- $\frac{1}{2}$ " Venturi	HD-24A	1- $\frac{1}{2}$ " Venturi
	<ol style="list-style-type: none"> <li>1. Internal Pulse</li> <li>2. Recirculator</li> <li>3. Similar to HD-20B</li> <li>4. L.H. Thread, Adjustable-Replaceable Jet</li> <li>5. Ski-Doo</li> </ol>		<ol style="list-style-type: none"> <li>1. External Pulse</li> <li>2. No Recirculator</li> <li>4. L.H. Thread, Fixed-Replaceable Jet</li> <li>5. Canahover of Canada</li> </ol>
HD-20B	1- $\frac{1}{2}$ " Venturi	HD-24AX	1- $\frac{1}{2}$ " Venturi
	<ol style="list-style-type: none"> <li>1. Internal Pulse</li> <li>2. Recirculator</li> <li>3. Similar to HD-20A</li> <li>4. L.H. Thread, Adjustable-Replaceable Jet</li> <li>5. Ski-Doo</li> </ol>		<ol style="list-style-type: none"> <li>1. External Pulse</li> <li>2. Recirculator</li> <li>4. L.H. Thread, Fixed-Replaceable Jet</li> <li>5. Canahover of Canada</li> </ol>
HD-21A	1- $\frac{1}{2}$ " Venturi	HD-25A	1- $\frac{1}{2}$ " Venturi
	<ol style="list-style-type: none"> <li>1. Internal Pulse</li> <li>2. Recirculator</li> <li>3. Similar to HD-21B</li> <li>4. L.H. Thread, Adjustable-Replaceable Jet</li> <li>5. Ski-Doo</li> </ol>		<ol style="list-style-type: none"> <li>1. External Pulse</li> <li>2. No Recirculator</li> <li>3. Similar to HD-25B, HD-17A</li> <li>4. L.H. Thread, Adjustable-Replaceable Jet</li> <li>5. Moto-Ski</li> </ol>
HD-21B	1- $\frac{1}{2}$ " Venturi	HD-25B	1- $\frac{1}{2}$ " Venturi
	<ol style="list-style-type: none"> <li>1. Internal Pulse</li> <li>2. Recirculator</li> <li>3. Similar to HD-21A</li> <li>4. L.H. Thread, Adjustable-Replaceable Jet</li> <li>5. Ski-Doo</li> </ol>		<ol style="list-style-type: none"> <li>1. External Pulse</li> <li>2. No Recirculator</li> <li>3. Similar to HD-25A</li> <li>4. L.H. Thread, Adjustable-Replaceable Jet</li> <li>5. Moto-Ski</li> </ol>
HD-22A	1- $\frac{1}{2}$ " Venturi	HD-26A	1- $\frac{1}{2}$ " Venturi
	<ol style="list-style-type: none"> <li>1. Internal Pulse</li> <li>2. Recirculator</li> <li>3. Similar to HD-22B &amp; HD-104A</li> <li>4. L.H. Thread, Adjustable-Replaceable Jet</li> <li>5. Ski-Doo</li> </ol>		<ol style="list-style-type: none"> <li>1. External Pulse</li> <li>2. No Recirculator</li> <li>3. Similar to HD-13A</li> <li>4. L.H. Thread, Adjustable-Replaceable Jet</li> <li>5. Sno Prince</li> </ol>
HD-22B	1- $\frac{1}{2}$ " Venturi	HD-27A	1- $\frac{1}{2}$ " Venturi
	<ol style="list-style-type: none"> <li>1. Internal Pulse</li> <li>2. Recirculator</li> <li>3. Similar to HD-22A &amp; HD-104A</li> <li>4. L.H. Thread, Adjustable-Replaceable Jet</li> <li>5. Ski-Doo</li> </ol>		<ol style="list-style-type: none"> <li>1. External Pulse</li> <li>2. No Recirculator</li> <li>3. Similar to HD-13A</li> <li>4. L.H. Thread, Adjustable-Replaceable Jet</li> <li>5. Arctic</li> </ol>

HD-28A	1- $\frac{1}{2}$ " Venturi	HD-35A	1- $\frac{1}{2}$ " Venturi
	<ol style="list-style-type: none"> <li>1. External Pulse</li> <li>2. Recirculator</li> <li>3. Similar to HD-13A,HD-17A</li> <li>4. L.H. Thread, Adjustable-Replaceable Jet</li> <li>5. Skiroule</li> </ol>		<ol style="list-style-type: none"> <li>1. External Pulse</li> <li>2. No Recirculator</li> <li>3. Similar to HD-31A</li> <li>4. L.H. Thread, Adjustable-Replaceable Jet</li> <li>5. Sport King</li> </ol>
HD-29A	1- $\frac{1}{2}$ " Venturi	HD-36A	1- $\frac{1}{2}$ " Venturi
	<ol style="list-style-type: none"> <li>1. External Pulse</li> <li>2. No Recirculator</li> <li>3. Similar to HD-23A</li> <li>4. L.H. Thread, Adjustable-Replaceable Jet</li> <li>5. Alouette</li> </ol>		<ol style="list-style-type: none"> <li>1. External Pulse</li> <li>2. Recirculator</li> <li>3. Similar to HD-14A</li> <li>4. L.H. Thread, Adjustable-Replaceable Jet</li> <li>5. Herters</li> </ol>
HD-30A	1- $\frac{1}{2}$ " Venturi	HD-37A	1- $\frac{1}{2}$ " Venturi
	<ol style="list-style-type: none"> <li>1. External Pulse</li> <li>2. Recirculator</li> <li>3. Similar to HD-40A,HD-40B, HD-39A</li> <li>4. L.H. Thread, Adjustable-Replaceable Jet</li> <li>5. AMF</li> </ol>		<ol style="list-style-type: none"> <li>1. No Pulse (Gravity Fed)</li> <li>2. No Recirculator (Hole tapped for Recirculator)</li> <li>3. Similar to HD-11A &amp; HD-37B</li> <li>4. L.H. Thread, Adjustable-Replaceable Jet</li> <li>5. Evinrude</li> </ol>
HD-31A	1- $\frac{1}{2}$ " Venturi	HD-37B	1- $\frac{1}{2}$ " Venturi
	<ol style="list-style-type: none"> <li>1. External Pulse</li> <li>2. No Recirculator</li> <li>3. Similar to HD-35A</li> <li>4. L.H. Thread, Adjustable-Replaceable Jet</li> <li>5. Ski-Whiz</li> </ol>		<ol style="list-style-type: none"> <li>1. No Pulse (Gravity Fed)</li> <li>2. No Recirculator</li> <li>3. Similar to HD-11A &amp; HD-37A</li> <li>4. L.H. Thread, Adjustable-Replaceable Jet</li> <li>5. Evinrude</li> </ol>
HD-32A	1- $\frac{1}{2}$ " Venturi	HD-38A	1- $\frac{1}{2}$ " Venturi
	<ol style="list-style-type: none"> <li>1. External Pulse</li> <li>2. No Recirculator</li> <li>3. Similar to HD-14A</li> <li>4. L.H. Thread, Adjustable-Replaceable Jet</li> <li>5. Fox Corporation</li> </ol>		<ol style="list-style-type: none"> <li>1. External Pulse</li> <li>2. No Recirculator</li> <li>3. Similar to HD-14A</li> <li>4. L.H. Thread, Adjustable-Replaceable Jet</li> <li>5. Rupp</li> </ol>
HD-33A	1- $\frac{1}{2}$ " Venturi	HD-39A	1- $\frac{1}{2}$ " Venturi
	<ol style="list-style-type: none"> <li>1. External Pulse</li> <li>2. Recirculator</li> <li>3. Similar to HD-14A,HD-22A</li> <li>4. L.H. Thread, Adjustable-Replaceable Jet</li> <li>5. Herters</li> </ol>		<ol style="list-style-type: none"> <li>1. External Pulse</li> <li>2. Recirculator</li> <li>3. Similar to HD-30A</li> <li>4. L.H. Thread, Adjustable-Replaceable Jet</li> <li>5. AMF</li> </ol>
HD-34A	1- $\frac{1}{2}$ " Venturi	HD-40A	1- $\frac{1}{2}$ " Venturi
	<ol style="list-style-type: none"> <li>1. External Pulse</li> <li>2. Recirculator</li> <li>3. Similar to HD-32A</li> <li>4. L.H. Thread, Adjustable-Replaceable Jet</li> <li>5. Herters</li> </ol>		<ol style="list-style-type: none"> <li>1. External Pulse</li> <li>2. No Recirculator</li> <li>3. Similar to HD-39A &amp; HD-40B</li> <li>4. L.H. Thread, Adjustable-Replaceable Jet</li> <li>5. Polaris</li> </ol>

HD-40B	1- $\frac{1}{2}$ " Venturi	HD-48A	1- $\frac{1}{2}$ " Venturi
	<ol style="list-style-type: none"> <li>1. External Pulse</li> <li>2. No Recirculator</li> <li>3. Similar to HD-40A</li> <li>4. L.H. Thread, Adjustable-Replaceable Jet</li> <li>5. Polaris</li> </ol>		<ol style="list-style-type: none"> <li>1. External Pulse</li> <li>2. No Recirculator</li> <li>3. Similar to HD-47A,HD-40B</li> <li>4. L.H. Thread, Adjustable-Replaceable Jet</li> <li>5. Alouette</li> </ol>
HD-41A	1- $\frac{1}{2}$ " Venturi	HD-49A	1- $\frac{1}{2}$ " Venturi
	<ol style="list-style-type: none"> <li>1. Internal Pulse</li> <li>2. No Recirculator</li> <li>4. L.H. Thread, Adjustable-Replaceable Jet</li> <li>5. CCW</li> </ol>		<ol style="list-style-type: none"> <li>1. External Pulse</li> <li>2. Recirculator</li> <li>4. L.H. Thread, Adjustable-Replaceable Jet</li> <li>5. Massey-Ferguson</li> </ol>
HD-42A	1- $\frac{1}{2}$ " Venturi	HD-51A	1- $\frac{1}{2}$ " Venturi
	<ol style="list-style-type: none"> <li>1. No Pulse (Gravity Fed)</li> <li>2. No Recirculator</li> <li>3. Similar to HD-11A,HD-37A &amp; HD-37B</li> <li>4. L.H. Thread, Adjustable-Replaceable Jet</li> <li>5. Cushman Motors (OMC)</li> </ol>		<ol style="list-style-type: none"> <li>1. External Pulse</li> <li>2. No Recirculator</li> <li>3. Similar to HD-13A</li> <li>4. L.H. Thread, Adjustable-Replaceable Jet</li> <li>5. Bonanza Industries</li> </ol>
HD-44A	1- $\frac{1}{2}$ " Venturi	HD-52A	1- $\frac{1}{2}$ " Venturi
	<ol style="list-style-type: none"> <li>1. External Pulse</li> <li>2. Recirculator</li> <li>3. Similar to HD-28A</li> <li>4. L.H. Thread, Adjustable-Replaceable Jet</li> <li>5. Skiroule</li> </ol>		<ol style="list-style-type: none"> <li>1. External Pulse</li> <li>2. Recirculator</li> <li>3. Similar to HD-52B</li> <li>4. L.H. Thread, Adjustable-Replaceable Jet</li> <li>5. Moto-Ski</li> </ol>
HD-45A	1- $\frac{1}{2}$ " Venturi	HD-52B	1- $\frac{1}{2}$ " Venturi
	<ol style="list-style-type: none"> <li>1. External Pulse</li> <li>2. Recirculator</li> <li>3. Similar to HD-28A,HD-44A</li> <li>4. L.H. Thread, Adjustable-Replaceable Jet</li> <li>5. Skiroule</li> </ol>		<ol style="list-style-type: none"> <li>1. External Pulse</li> <li>2. Recirculator</li> <li>3. Similar to HD-52A</li> <li>4. L.H. Thread, Adjustable-Replaceable Jet</li> <li>5. Moto-Ski</li> </ol>
HD-46A	1- $\frac{1}{2}$ " Venturi	HD-53A	1- $\frac{1}{2}$ " Venturi
	<ol style="list-style-type: none"> <li>1. External Pulse</li> <li>2. No Recirculator</li> <li>3. Similar to HD-27A</li> <li>4. L.H. Thread, Adjustable-Replaceable Jet</li> <li>5. Ariens</li> </ol>		<ol style="list-style-type: none"> <li>1. External Pulse</li> <li>2. Recirculator</li> <li>3. Similar to HD-53B</li> <li>4. L.H. Thread, Adjustable-Replaceable Jet</li> <li>5. Moto-Ski</li> </ol>
HD-47A	1- $\frac{1}{2}$ " Venturi	HD-53B	1- $\frac{1}{2}$ " Venturi
	<ol style="list-style-type: none"> <li>1. External Pulse</li> <li>2. No Recirculator</li> <li>3. Similar to HD-40B,HD-48A</li> <li>4. L.H. Thread, Adjustable-Replaceable Jet</li> <li>5. Alouette</li> </ol>		<ol style="list-style-type: none"> <li>1. External Pulse</li> <li>2. Recirculator</li> <li>3. Similar to HD-53A</li> <li>4. L.H. Thread, Adjustable-Replaceable Jet</li> <li>5. Moto-Ski</li> </ol>

HD-54A	1- $\frac{1}{2}$ " Venturi	HD-61A	1- $\frac{1}{2}$ " Venturi
	<ol style="list-style-type: none"> <li>1. External Pulse</li> <li>2. No Recirculator</li> <li>3. Similar to HD-54B, HD-53A &amp; HD-53B</li> <li>4. L.H. Thread, Adjustable-Replaceable Jet</li> <li>5. Moto-Ski</li> </ol>		<ol style="list-style-type: none"> <li>1. External Pulse</li> <li>2. Recirculator</li> <li>4. Fixed Jet-Adjustable</li> <li>5. Arctic</li> </ol>
HD-54B	1- $\frac{1}{2}$ " Venturi	HD-62A	1- $\frac{1}{2}$ " Venturi
	<ol style="list-style-type: none"> <li>1. External Pulse</li> <li>2. No Recirculator</li> <li>3. Similar to HD-54A, HD-53A &amp; HD-53B</li> <li>4. L.H. Thread, Adjustable-Replaceable Jet</li> <li>5. Moto-Ski</li> </ol>		<ol style="list-style-type: none"> <li>1. External Pulse</li> <li>2. Recirculator</li> <li>3. Similar to HD-60A &amp; HD-87A</li> <li>4. Fixed Jet-Adjustable</li> <li>5. Arctic</li> </ol>
HD-55A	1- $\frac{1}{2}$ " Venturi	HD-63A	1- $\frac{1}{2}$ " Venturi
	<ol style="list-style-type: none"> <li>1. External Pulse</li> <li>2. Recirculator</li> <li>3. Similar to HD-62A</li> <li>4. Fixed Jet-Adjustable</li> <li>5. Arctic</li> </ol>		<ol style="list-style-type: none"> <li>1. External Pulse</li> <li>2. Recirculator</li> <li>3. Similar to HD-51A</li> <li>4. L.H. Thread, Adjustable-Replaceable Jet</li> <li>5. Herters</li> </ol>
HD-56A	1- $\frac{1}{2}$ " Venturi	HD-64A	1- $\frac{1}{2}$ " Venturi
	<ol style="list-style-type: none"> <li>1. External Pulse</li> <li>2. No Recirculator</li> <li>3. Similar to HD-13A</li> <li>4. L.H. Thread, Adjustable-Replaceable Jet</li> <li>5. Scorpion</li> </ol>		<ol style="list-style-type: none"> <li>1. External Pulse</li> <li>2. Recirculator</li> <li>3. Similar to HD-63A &amp; HD-51A</li> <li>4. L.H. Thread, Adjustable-Replaceable Jet</li> <li>5. Herters</li> </ol>
HD-57A	1- $\frac{1}{2}$ " Venturi	HD-65A	1- $\frac{1}{2}$ " Venturi
	<ol style="list-style-type: none"> <li>1. External Pulse</li> <li>2. No Recirculator</li> <li>3. Similar to HD-14A, HD-56A</li> <li>4. L.H. Thread, Adjustable-Replaceable Jet</li> <li>5. Scorpion</li> </ol>		<ol style="list-style-type: none"> <li>1. External Pulse</li> <li>2. No Recirculator</li> <li>3. Similar to HD-25A &amp; HD-17A</li> <li>4. L.H. Thread, Adjustable-Replaceable Jet</li> <li>5. Sno Prince</li> </ol>
HD-59A	1- $\frac{1}{2}$ " Venturi	HD-66A	1- $\frac{1}{2}$ " Venturi
	<ol style="list-style-type: none"> <li>1. External Pulse</li> <li>2. Recirculator</li> <li>3. Similar to HD-46A</li> <li>4. L.H. Thread, Adjustable-Replaceable Jet</li> <li>5. Ariens</li> </ol>		<ol style="list-style-type: none"> <li>1. Internal Pulse</li> <li>2. Recirculator</li> <li>3. Similar to HD-20A &amp; HD-20B</li> <li>4. L.H. Thread, Adjustable-Replaceable Jet</li> <li>5. Ski-Doo</li> </ol>
HD-60A	1- $\frac{1}{2}$ " Venturi	HD-67A	1- $\frac{1}{2}$ " Venturi
	<ol style="list-style-type: none"> <li>1. External Pulse</li> <li>2. Recirculator</li> <li>3. Similar to HD-62A</li> <li>4. Fixed Jet-Adjustable</li> <li>5. Arctic</li> </ol>		<ol style="list-style-type: none"> <li>1. External Pulse</li> <li>2. No Recirculator</li> <li>3. Similar to HD-39A</li> <li>4. L.H. Thread, Adjustable-Replaceable Jet</li> <li>5. AMF</li> </ol>

HD-68A	1- $\frac{1}{2}$ " Venturi	HD-75A	1- $\frac{1}{2}$ " Venturi
	<ol style="list-style-type: none"> <li>1. External Pulse</li> <li>2. No Recirculator</li> <li>3. Similar to HD-51A</li> <li>4. L.H. Thread, Adjustable-Replaceable Jet</li> <li>5. FTS Corporation</li> </ol>		<ol style="list-style-type: none"> <li>1. External Pulse</li> <li>2. No Recirculator</li> <li>3. Similar to HD-98A, HD-95A, HD-94A &amp; HD-76A</li> <li>4. L.H. Thread, Adjustable-Replaceable Jet</li> <li>5. Sno Prince</li> </ol>
HD-69A	1- $\frac{1}{2}$ " Venturi	HD-76A	1- $\frac{1}{2}$ " Venturi
	<ol style="list-style-type: none"> <li>1. External Pulse</li> <li>2. Recirculator</li> <li>3. Similar to HD-63A</li> <li>4. L.H. Thread, Adjustable-Replaceable Jet</li> <li>5. Sports Power, Inc.</li> </ol>		<ol style="list-style-type: none"> <li>1. External Pulse</li> <li>2. No Recirculator</li> <li>3. Similar to HD-75A</li> <li>4. L.H. Thread, Adjustable-Replaceable Jet</li> <li>5. Sno Prince</li> </ol>
HD-70A	1- $\frac{1}{2}$ " Venturi	HD-77A	1- $\frac{1}{2}$ " Venturi
	<ol style="list-style-type: none"> <li>1. External Pulse</li> <li>2. Recirculator</li> <li>3. Similar to HD-24A</li> <li>4. Fixed Jet-Adjustable</li> <li>5. Canahover of Canada</li> </ol>		<ol style="list-style-type: none"> <li>1. External Pulse</li> <li>2. Recirculator</li> <li>3. Similar to HD-77B</li> <li>4. L.H. Thread, Adjustable-Replaceable Jet</li> <li>5. Harley Davidson</li> </ol>
HD-71A	1- $\frac{1}{2}$ " Venturi	HD-77B	1- $\frac{1}{2}$ " Venturi
	<ol style="list-style-type: none"> <li>1. External Pulse</li> <li>2. No Recirculator</li> <li>3. Similar to HD-15A</li> <li>4. L.H. Thread, Adjustable-Replaceable Jet</li> <li>5. AMF</li> </ol>		<ol style="list-style-type: none"> <li>1. External Pulse</li> <li>2. Recirculator</li> <li>3. Similar to HD-77A</li> <li>4. L.H. Thread, Adjustable-Replaceable Jet</li> <li>5. Harley Davidson</li> </ol>
HD-72A	1- $\frac{1}{2}$ " Venturi	HD-78A	1- $\frac{1}{2}$ " Venturi
	<ol style="list-style-type: none"> <li>1. Internal Pulse</li> <li>2. No Recirculator</li> <li>3. Similar to HD-20A &amp; HD-20B</li> <li>4. L.H. Thread, Adjustable-Replaceable Jet</li> <li>5. Ski-Doo</li> </ol>		<ol style="list-style-type: none"> <li>1. External Pulse</li> <li>2. No Recirculator</li> <li>3. Similar to HD-96A</li> <li>4. L.H. Thread, Adjustable-Replaceable Jet</li> <li>5. Sno-Jet</li> </ol>
HD-73A	1- $\frac{1}{2}$ " Venturi	HD-79A	1- $\frac{1}{2}$ " Venturi
	<ol style="list-style-type: none"> <li>1. Internal Pulse</li> <li>2. Recirculator</li> <li>4. L.H. Thread, Adjustable-Replaceable Jet</li> <li>5. Ski-Doo</li> </ol>		<ol style="list-style-type: none"> <li>1. External Pulse</li> <li>2. No Recirculator</li> <li>3. Similar to HD-32A</li> <li>4. L.H. Thread, Adjustable-Replaceable Jet</li> <li>5. Raider</li> </ol>
HD-74A	1- $\frac{1}{2}$ " Venturi	HD-80A	1- $\frac{1}{2}$ " Venturi
	<ol style="list-style-type: none"> <li>1. Internal Pulse</li> <li>2. No Recirculator</li> <li>4. L.H. Thread, Adjustable-Replaceable Jet</li> <li>5. Duffers Assoc., Inc.</li> </ol>		<ol style="list-style-type: none"> <li>1. External Pulse</li> <li>2. No Recirculator</li> <li>3. Similar to HD-65A</li> <li>4. Fixed Jet-Adjustable</li> <li>5. Alouette</li> </ol>

<p>HD-81A      1-½" Venturi</p> <ol style="list-style-type: none"> <li>1. Internal Pulse</li> <li>2. Recirculator</li> <li>3. Similar to HD-20B, HD-20A &amp; HD-101A</li> <li>4. L.H. Thread, Adjustable-Replaceable Jet</li> <li>5. Ski-Doo</li> </ol>	<p>HD-88A      1-½" Venturi</p> <ol style="list-style-type: none"> <li>1. External Pulse</li> <li>2. Recirculator</li> <li>3. Similar to HD-45A</li> <li>4. L.H. Thread, Adjustable-Replaceable Jet</li> <li>5. Alouette</li> </ol>
<p>HD-82A      1-½" Venturi</p> <ol style="list-style-type: none"> <li>1. External Pulse</li> <li>2. Recirculator</li> <li>4. L.H. Thread, Adjustable-Replaceable Jet</li> <li>5. John Deere</li> </ol>	<p>HD-89A      1-½" Venturi</p> <ol style="list-style-type: none"> <li>1. External Pulse</li> <li>2. Recirculator</li> <li>3. Similar to HD-45A</li> <li>4. L.H. Thread, Adjustable-Replaceable Jet</li> <li>5. Alouette</li> </ol>
<p>HD-83A      1.6" Venturi</p> <ol style="list-style-type: none"> <li>1. Internal Pulse</li> <li>2. Recirculator</li> <li>3. Similar to HD-116A</li> <li>4. L.H. Thread, Adjustable-Replaceable Jet</li> <li>5. Ski-Doo</li> </ol>	<p>HD-90A      1-½" Venturi</p> <ol style="list-style-type: none"> <li>1. External Pulse</li> <li>2. Recirculator</li> <li>3. Similar to HD-44A &amp; HD-45A</li> <li>4. L.H. Thread, Adjustable-Replaceable Jet</li> <li>5. Skiroule</li> </ol>
<p>HD-84A      1-½" Venturi</p> <ol style="list-style-type: none"> <li>1. External Pulse</li> <li>2. No Recirculator</li> <li>3. Similar to HD-80A, HD-65A, &amp; HD-117A</li> <li>4. L.H. Thread, Adjustable-Replaceable Jet</li> <li>5. Fichtel &amp; Sachs</li> </ol>	<p>HD-91A      1-½" Venturi</p> <ol style="list-style-type: none"> <li>1. External Pulse</li> <li>2. Recirculator</li> <li>3. Similar to HD-92A</li> <li>4. L.H. Thread, Adjustable-Replaceable Jet</li> <li>5. Skiroule</li> </ol>
<p>HD-85A      1-½" Venturi</p> <ol style="list-style-type: none"> <li>1. External Pulse</li> <li>2. No Recirculator</li> <li>3. Similar to HD-56A</li> <li>4. L.H. Thread, Adjustable-Replaceable Jet</li> <li>5. Scorpion</li> </ol>	<p>HD-92A      1-½" Venturi</p> <ol style="list-style-type: none"> <li>1. External Pulse</li> <li>2. Recirculator</li> <li>3. Similar to HD-91A</li> <li>4. L.H. Thread, Adjustable-Replaceable Jet</li> <li>5. Skiroule</li> </ol>
<p>HD-86A      1-½" Venturi</p> <ol style="list-style-type: none"> <li>1. External Pulse</li> <li>2. Recirculator</li> <li>3. Similar to HD-54B</li> <li>4. L.H. Thread, Adjustable-Replaceable Jet</li> <li>5. Moto Ski</li> </ol>	<p>HD-93A      1-½" Venturi</p> <ol style="list-style-type: none"> <li>1. External Pulse</li> <li>2. Recirculator</li> <li>3. Similar to HD-92A &amp; HD-91A</li> <li>4. L.H. Thread, Adjustable-Replaceable Jet</li> <li>5. Skiroule</li> </ol>
<p>HD-87A      1-½" Venturi</p> <ol style="list-style-type: none"> <li>1. External Pulse</li> <li>2. No Recirculator</li> <li>3. Similar to HD-62A &amp; HD-114A</li> <li>4. Fixed Jet-Adjustable</li> <li>5. Arctic</li> </ol>	<p>HD-94A      1-½" Venturi</p> <ol style="list-style-type: none"> <li>1. External Pulse</li> <li>2. Recirculator</li> <li>3. Similar to HD-95A</li> <li>4. L.H. Thread, Adjustable-Replaceable Jet</li> <li>5. Bolens, Kiekhaefer Aeromarine</li> </ol>

HD-95A	1- $\frac{1}{2}$ " Venturi	HD-101A	1- $\frac{1}{2}$ " Venturi
	<ol style="list-style-type: none"> <li>1. External Pulse</li> <li>2. Recirculator</li> <li>3. Similar to HD-94A</li> <li>4. L.H. Thread, Adjustable-Replaceable Jet</li> <li>5. Bolens, Kiekhaefer Aeromarine</li> </ol>		<ol style="list-style-type: none"> <li>1. Internal Pulse</li> <li>2. Recirculator</li> <li>3. Similar to HD-81A</li> <li>4. L.H. Thread, Adjustable-Replaceable Jet</li> <li>5. Ski-Doo</li> </ol>
HD-96A	1- $\frac{1}{2}$ " Venturi	HD-104A	1- $\frac{1}{2}$ " Venturi
	<ol style="list-style-type: none"> <li>1. External Pulse</li> <li>2. No Recirculator</li> <li>3. Similar to HD-78A &amp; HD-73A</li> <li>4. L.H. Thread, Adjustable-Replaceable Jet</li> <li>5. Sno-Jet</li> </ol>		<ol style="list-style-type: none"> <li>1. Internal Pulse</li> <li>2. Recirculator</li> <li>3. Similar to HD-22A &amp; HD-22B</li> <li>4. L.H. Thread, Adjustable-Replaceable Jet</li> <li>5. Ski-Doo</li> </ol>
HD-97A	1- $\frac{1}{2}$ " Venturi	HD-105A	1.6" Venturi
	<ol style="list-style-type: none"> <li>1. External Pulse</li> <li>2. Recirculator</li> <li>3. Similar to HD-39A</li> <li>4. L.H. Thread, Adjustable-Replaceable Jet</li> <li>5. AMF</li> </ol>		<ol style="list-style-type: none"> <li>1. External Pulse</li> <li>2. Recirculator</li> <li>3. Similar to HD-105B</li> <li>4. Fixed Jet-Adjustable</li> <li>5. Ski-Doo</li> </ol>
HD-98A	1- $\frac{1}{2}$ " Venturi	HD-105B	1.6" Venturi
	<ol style="list-style-type: none"> <li>1. Internal Pulse</li> <li>2. Recirculator</li> <li>3. Similar to HD-21A &amp; HD-107A</li> <li>4. L.H. Thread, Adjustable-Replaceable Jet</li> <li>5. Ski-Doo</li> </ol>		<ol style="list-style-type: none"> <li>1. External Pulse</li> <li>2. Recirculator</li> <li>3. Similar to HD-105A</li> <li>4. Fixed Jet-Adjustable</li> <li>5. Ski-Doo</li> </ol>
HD-99A	1- $\frac{1}{2}$ " Venturi	HD-106A	1- $\frac{1}{2}$ " Venturi
	<ol style="list-style-type: none"> <li>1. External Pulse</li> <li>2. No Recirculator</li> <li>3. Similar to HD-72A</li> <li>4. L.H. Thread, Adjustable-Replaceable Jet</li> <li>5. Ski-Doo</li> </ol>		<ol style="list-style-type: none"> <li>1. External Pulse</li> <li>2. Recirculator</li> <li>3. Similar to HD-78A &amp; HD-96A</li> <li>4. L.H. Thread, Adjustable-Replaceable Jet</li> <li>5. Sno-Jet</li> </ol>
HD-100A	1.6" Venturi	HD-107A	1- $\frac{1}{2}$ " Venturi
	<ol style="list-style-type: none"> <li>1. External Pulse</li> <li>2. No Recirculator</li> <li>3. Similar to HD-100AX</li> <li>4. L.H. Thread, Adjustable-Replaceable Jet</li> <li>5. Ski-Doo</li> </ol>		<ol style="list-style-type: none"> <li>1. External Pulse</li> <li>2. Recirculator</li> <li>3. Similar to HD-98A</li> <li>4. L.H. Thread, Adjustable-Replaceable Jet</li> <li>5. Ski-Doo</li> </ol>
HD-100AX	1.6" Venturi	HD-108A	1- $\frac{1}{2}$ " Venturi
	<ol style="list-style-type: none"> <li>1. External Pulse</li> <li>2. No Recirculator</li> <li>3. Similar to HD-100A</li> <li>4. L.H. Thread, Adjustable-Replaceable Jet</li> <li>5. Ski-Doo</li> </ol>		<ol style="list-style-type: none"> <li>1. External Pulse</li> <li>2. Recirculator</li> <li>4. L.H. Thread, Fixed Jet-Replaceable</li> <li>5. Ski-Doo</li> </ol>



HD-109A	1.6" Venturi	HD-120A	1.6" Venturi
	<ol style="list-style-type: none"> <li>1. External Pulse</li> <li>2. Recirculator</li> <li>3. Similar to HD-83A</li> <li>4. L.H. Thread, Adjustable-Replaceable Jet</li> <li>5. Ski-Doo</li> </ol>		<ol style="list-style-type: none"> <li>1. External Pulse</li> <li>2. Recirculator</li> <li>4. L.H. Thread, Adjustable-Replaceable Jet</li> <li>5. Massey Ferguson</li> </ol>
HD-110A	1.6" Venturi	HD-121A	1-½" Venturi
	<ol style="list-style-type: none"> <li>1. External Pulse</li> <li>2. Recirculator</li> <li>3. Similar to HD-124A</li> <li>4. L.H. Thread, Fixed Jet-Replaceable</li> <li>5. Ski-Doo</li> </ol>		<ol style="list-style-type: none"> <li>1. External Pulse</li> <li>2. Recirculator</li> <li>3. Similar to HD-113A</li> <li>4. Fixed Jet-Adjustable</li> <li>5. Moto-Ski</li> </ol>
HD-113A	1-½" Venturi	HD-122A	1-½" Venturi
	<ol style="list-style-type: none"> <li>1. External Pulse</li> <li>2. Recirculator</li> <li>3. Similar to HD-121A</li> <li>4. Fixed Jet-Adjustable</li> <li>5. Moto-Ski</li> </ol>		<ol style="list-style-type: none"> <li>1. External Pulse</li> <li>2. Recirculator</li> <li>3. Similar to HD-122B</li> <li>4. L.H. Thread, Adjustable-Replaceable Jet</li> <li>5. Moto-Ski</li> </ol>
HD-114A	1-½" Venturi	HD-122B	1-½" Venturi
	<ol style="list-style-type: none"> <li>1. External Pulse</li> <li>2. Recirculator</li> <li>3. Similar to HD-87A</li> <li>4. Fixed Jet-Adjustable,</li> <li>5. Kiekhaefer Aeromarine</li> </ol>		<ol style="list-style-type: none"> <li>1. External Pulse</li> <li>2. Recirculator</li> <li>3. Similar to HD-122A</li> <li>4. L.H. Thread, Adjustable-Replaceable Jet</li> <li>5. Moto-Ski</li> </ol>
HD-115A	1-½" Venturi	HD-123A	1-½" Venturi
	<ol style="list-style-type: none"> <li>1. External Pulse</li> <li>2. Recirculator</li> <li>3. Similar to HD-13A</li> <li>4. R.H. Thread, Fixed-Replaceable Jet</li> <li>5. Mercury Marine</li> </ol>		<ol style="list-style-type: none"> <li>1. External Pulse</li> <li>2. Recirculator</li> <li>4. Fixed Jet-Adjustable</li> <li>5. Ski-Doo</li> </ol>
HD-117A	1-½" Venturi	HD-124A	1.6" Venturi
	<ol style="list-style-type: none"> <li>1. External Pulse</li> <li>2. No Recirculator</li> <li>3. Similar to HD-84A</li> <li>4. L.H. Thread, Adjustable-Replaceable Jet</li> <li>5. Fichtel &amp; Sachs</li> </ol>		<ol style="list-style-type: none"> <li>1. External Pulse</li> <li>2. Recirculator</li> <li>3. Similar to HD-110A</li> <li>4. L.H. Thread, Fixed Replaceable Jet</li> <li>5. Ski-Doo</li> </ol>
HD-119A	1.6" Venturi	HD-126A	1-½" Venturi
	<ol style="list-style-type: none"> <li>1. External Pulse</li> <li>2. Recirculator</li> <li>3. Similar to HD-109A</li> <li>4. L.H. Thread, Adjustable-Replaceable Jet</li> <li>5. Rupp</li> </ol>		<ol style="list-style-type: none"> <li>1. External Pulse</li> <li>2. Recirculator</li> <li>4. L.H. Thread, Adjustable-Replaceable Jet</li> <li>5. Moto-Ski</li> </ol>

HD-127A	1-½" Venturi	HD-134A	1-½" Venturi
	<ol style="list-style-type: none"> <li>1. External Pulse</li> <li>2. Recirculator</li> <li>4. R.H. Thread, Fixed-Replaceable Jet</li> <li>5. Mercury Marine</li> </ol>		<ol style="list-style-type: none"> <li>1. External Pulse</li> <li>2. Recirculator</li> <li>3. Similar to HD-124A</li> <li>4. L.H. Thread, Fixed-Replaceable Jet</li> <li>5. Ski-Doo</li> </ol>
HD-128A	1-½" Venturi	HD-135A	1-½" Venturi
	<ol style="list-style-type: none"> <li>1. External Pulse</li> <li>2. Recirculator</li> <li>4. L.H. Thread, Fixed-Replaceable Jet</li> <li>5. Ski-Doo</li> </ol>		<ol style="list-style-type: none"> <li>1. External Pulse</li> <li>2. Recirculator</li> <li>3. Similar to HD-88A</li> <li>4. L.H. Thread, Adjustable-Replaceable Jet</li> <li>5. Alouette</li> </ol>
HD-129A	1-½" Venturi	HD-136A	1-½" Venturi
	<ol style="list-style-type: none"> <li>1. Internal Pulse</li> <li>2. No Recirculator</li> <li>3. Similar to HD-11A</li> <li>4. Fixed Jet-Adjustable</li> <li>5. Evinrude (OMC)</li> </ol>		<ol style="list-style-type: none"> <li>1. External Pulse</li> <li>2. Recirculator</li> <li>3. Similar to HD-123A, HD-60A</li> <li>4. Fixed Jet, Adjustable</li> <li>5. Ski-Whiz (Massey Ferguson)</li> </ol>
HD-130A	1-½" Venturi	HD-137A	1.6" Venturi
	<ol style="list-style-type: none"> <li>1. Internal Pulse</li> <li>2. No Recirculator</li> <li>3. Similar to HD-129A, HD-11A</li> <li>4. Fixed Jet-Adjustable</li> <li>5. Evinrude (OMC)</li> </ol>		<ol style="list-style-type: none"> <li>1. Internal Pulse</li> <li>2. No Recirculator</li> <li>3. Similar to HD-1C, HD-2A, HD-1D</li> <li>4. L.H. Thread, Fixed-Replaceable Jet</li> <li>5. Harley Davidson</li> </ol>
HD-131A	1.6" Venturi	HD-138A	1.6" Venturi
	<ol style="list-style-type: none"> <li>1. External Pulse</li> <li>2. No Recirculator</li> <li>3. Similar to HD-100A</li> <li>4. L.H. Thread, Adjustable-Replaceable Jet</li> <li>5. Ski-Doo</li> </ol>		<ol style="list-style-type: none"> <li>1. External Pulse</li> <li>2. Recirculator</li> <li>3. Similar to HD-109A</li> <li>4. L.H. Thread, Adjustable-Replaceable Jet</li> </ol>
HD-132A	1-½" Venturi	HD-139A	1-½" Venturi
	<ol style="list-style-type: none"> <li>1. External Pulse</li> <li>2. Recirculator</li> <li>3. Similar to HD-106A</li> <li>4. L.H. Thread, Adjustable-Replaceable Jet</li> <li>5. Sno-Jet</li> </ol>		<ol style="list-style-type: none"> <li>1. External Pulse</li> <li>2. Recirculator</li> <li>3. Similar to HD-77B</li> <li>4. L.H. Thread, Adjustable-Replaceable Jet</li> <li>5. Harley Davidson</li> </ol>
HD-133A	1.6" Venturi	HD-140A	1-½" Venturi
	<ol style="list-style-type: none"> <li>1. External Pulse</li> <li>2. Recirculator</li> <li>3. Similar to HD-124A</li> <li>4. L.H. Thread, Adjustable-Replaceable Jet</li> <li>5. Ski-Doo</li> </ol>		<ol style="list-style-type: none"> <li>1. External Pulse</li> <li>2. Recirculator</li> <li>3. Similar to HD-128A</li> <li>4. L.H. Thread, Fixed Jet Replaceable</li> <li>5. Ski-Doo</li> </ol>

HD-141A	1-½" Venturi	HR-2B	1-3/32" Venturi
	<ol style="list-style-type: none"> <li>1. External Pulse</li> <li>2. Recirculator</li> <li>3. Similar to HD-77B</li> <li>4. L.H. Thread, Adjustable-Replaceable Jet</li> <li>5. Harley Davidson</li> </ol>		<ol style="list-style-type: none"> <li>1. Internal Pulse</li> <li>2. No Recirculator</li> <li>3. Similar to HR-2A</li> <li>4. Fixed Jet-Adjustable</li> <li>5. Erickson &amp; Polaris</li> </ol>
HL-207A	7/8" Venturi	HR-3A	1-3/32" Venturi
	<ol style="list-style-type: none"> <li>1. External Pulse</li> <li>2. Recirculator</li> <li>3. Similar to HL-192A</li> <li>4. Fixed Jet-Adjustable</li> <li>5. Rupp</li> </ol>		<ol style="list-style-type: none"> <li>1. External Pulse</li> <li>2. No Recirculator</li> <li>3. Similar to HR-3B</li> <li>4. Fixed Jet-Adjustable</li> <li>5. Larson,Boatel,Moto Ski, Trade Winds,Arctic,Viking, Bolens Huski,Lionel,Sno Jet, Trail-A-Sled,Polaris,Rupp</li> </ol>
HL-252A	7/8" Venturi	HR-3B	1-3/32" Venturi
	<ol style="list-style-type: none"> <li>1. External Pulse</li> <li>2. No Recirculator</li> <li>3. Similar to HL-242A</li> <li>4. Fixed Jet-Adjustable</li> <li>5. Alouette, Ariens</li> </ol>		<ol style="list-style-type: none"> <li>1. External Pulse</li> <li>2. No Recirculator</li> <li>3. Similar to HR-3A</li> <li>4. Fixed Jet-Adjustable</li> <li>5. Polaris &amp; Ski-Daddler</li> </ol>
HL-279A	7/8" Venturi	HR-4A	1-3/32" Venturi
	<ol style="list-style-type: none"> <li>1. External Pulse</li> <li>2. Recirculator</li> <li>4. Fixed Jet-Adjustable</li> <li>5. Bolens Huski</li> </ol>		<ol style="list-style-type: none"> <li>1. Internal Pulse</li> <li>2. No Recirculator</li> <li>3. Similar to HR-1A</li> <li>4. Fixed Jet-Adjustable</li> <li>5. Ski-Doo</li> </ol>
HL-289A	7/8" Venturi	HR-5A	1-3/32" Venturi
	<ol style="list-style-type: none"> <li>1. External Pulse</li> <li>2. No Recirculator</li> <li>3. Similar to HL-263A,HL-285A</li> <li>4. Fixed Jet-Adjustable</li> <li>5. Arctic</li> </ol>		<ol style="list-style-type: none"> <li>1. Internal Pulse</li> <li>2. No Recirculator</li> <li>3. Similar to HR-9A</li> <li>4. Fixed Jet-Adjustable</li> <li>5. Rockwell</li> </ol>
HR-1A	1-3/32" Venturi	HR-6A	1-3/32" Venturi
	<ol style="list-style-type: none"> <li>1. Internal Pulse</li> <li>2. No Recirculator</li> <li>3. Similar to HR-4A</li> <li>4. Fixed Jet-Adjustable</li> <li>5. Ski-Doo</li> </ol>		<ol style="list-style-type: none"> <li>1. External Pulse</li> <li>2. No Recirculator</li> <li>3. Similar to HR-3A,HR-3B &amp; HR-11A</li> <li>4. Fixed Jet-Adjustable</li> <li>5. Bolens Huski</li> </ol>
HR-2A	1-3/32" Venturi	HR-7A	1-3/16" Venturi
	<ol style="list-style-type: none"> <li>1. Internal Pulse</li> <li>2. No Recirculator</li> <li>3. Similar to HR-2B</li> <li>4. Fixed Jet-Adjustable</li> <li>5. Arctic,Fox,Ski Daddler, Alouette,Larson,Polaris, Trail-A-Sled,Terra Tiger, Motrak, Van Wilson &amp; Original Equipment</li> </ol>		<ol style="list-style-type: none"> <li>1. Internal Pulse</li> <li>2. No Recirculator</li> <li>3. Similar to HR-10A,HR-15A</li> <li>4. Fixed Jet-Adjustable</li> <li>5. Ski-Doo</li> </ol>

HR-8A	1-3/16" Venturi	HR-15A	1-3/16" Venturi
	<ol style="list-style-type: none"> <li>1. External Pulse</li> <li>2. No Recirculator</li> <li>3. Similar to HR-12A,HR-13A, HR-14A</li> <li>4. Fixed Jet-Adjustable</li> <li>5. Boatel,Lionel, Original Equipment,Sno-Jet,Trade Winds,Erickson,Fox,Snoscoot, Trail Blazer,Alouette,Rupp, Skiroule,Sport King &amp; Trail-A-Sled</li> </ol>		<ol style="list-style-type: none"> <li>1. Internal Pulse</li> <li>2. No Recirculator</li> <li>3. Similar to HR-7A,HR-10A</li> <li>4. Fixed Jet-Adjustable</li> <li>5. Ski-Doo</li> </ol>
HR-9A	1-3/16" Venturi	HR-16A	1-9/32" Venturi
	<ol style="list-style-type: none"> <li>1. Internal Pulse</li> <li>2. No Recirculator</li> <li>3. Similar to HR-5A</li> <li>4. Fixed Jet-Adjustable</li> <li>5. Fox Corporation</li> </ol>		<ol style="list-style-type: none"> <li>1. Internal Pulse</li> <li>2. No Recirculator</li> <li>3. Similar to HR-16B,HR-36A</li> <li>4. Fixed Jet-Adjustable</li> <li>5. Ski-Doo</li> </ol>
HR-10A	1-3/16" Venturi	HR-16AX	1-9/32" Venturi
	<ol style="list-style-type: none"> <li>1. Internal Pulse</li> <li>2. No Recirculator</li> <li>3. Similar to HR-7A,HR-15A, HR-37A</li> <li>4. Fixed Jet-Adjustable</li> <li>5. Ski-Doo</li> </ol>		<ol style="list-style-type: none"> <li>1. External Pulse</li> <li>2. No Recirculator</li> <li>4. Fixed Jet-Adjustable</li> <li>5. Moto-Ski</li> </ol>
HR-11A	1-3/32" Venturi	HR-16B	1-9/32" Venturi
	<ol style="list-style-type: none"> <li>1. External Pulse</li> <li>2. No Recirculator</li> <li>3. Similar to HR-3A,HR-3B &amp; HR-6A</li> <li>4. Fixed Jet-Adjustable</li> <li>5. Valmet Oy</li> </ol>		<ol style="list-style-type: none"> <li>1. Internal Pulse</li> <li>2. Recirculator</li> <li>3. Similar to HR-16A,HR-36A</li> <li>4. Fixed Jet-Adjustable</li> <li>5. Ski-Doo</li> </ol>
HR-12A	1-3/16" Venturi	HR-17A	1-9/32" Venturi
	<ol style="list-style-type: none"> <li>1. External Pulse</li> <li>2. No Recirculator</li> <li>3. Similar to HR-8A,HR-18A, HR-19A &amp; HR-25A</li> <li>4. Fixed Jet-Adjustable</li> <li>5. Arctic</li> </ol>		<ol style="list-style-type: none"> <li>1. Internal Pulse</li> <li>2. No Recirculator</li> <li>3. Similar to HR-17B,HR-17C</li> <li>4. Fixed Jet-Adjustable</li> <li>5. Ski-Doo</li> </ol>
HR-13A	1-3/16" Venturi	HR-17B	1-9/32" Venturi
	<ol style="list-style-type: none"> <li>1. External Pulse</li> <li>2. No Recirculator</li> <li>3. Similar to HR-8A,HR-25A, HR-29A, HR-45A &amp; HR-52A</li> <li>4. Fixed Jet-Adjustable</li> <li>5. Moto-Ski</li> </ol>		<ol style="list-style-type: none"> <li>1. Internal Pulse</li> <li>2. Recirculator</li> <li>3. Similar to HR-17A,HR-17B</li> <li>4. Fixed Jet-Adjustable</li> <li>5. Ski-Doo</li> </ol>
HR-14A	1-3/16" Venturi	HR-17C	1-9/32" Venturi
	<ol style="list-style-type: none"> <li>1. External Pulse</li> <li>2. No Recirculator</li> <li>3. Similar to HR-6A,HR-25A, HR-29A,HR-45A &amp; HR-52A</li> <li>4. Fixed Jet-Adjustable</li> <li>5. Bolens Huski</li> </ol>		<ol style="list-style-type: none"> <li>1. Internal Pulse</li> <li>2. Recirculator</li> <li>3. Similar to HR-17A,HR-17B</li> <li>4. Fixed Jet-Adjustable</li> <li>5. Ski-Doo</li> </ol>
		HR-18A	1-3/16" Venturi
			<ol style="list-style-type: none"> <li>1. External Pulse</li> <li>2. No Recirculator</li> <li>3. Similar to HR-12A,HR-19A, HR-25A &amp; HR-66A</li> <li>4. Fixed Jet-Adjustable</li> <li>5. Trade Winds, Beehoo, Arctic, Boa-Ski,Boatel,Fox Corp, Polaris,Rupp,Sno-Jet,Skiroule, Trail-A-Sled, Viking</li> </ol>

HR-19A	1-3/16" Venturi	HR-26A	1-3/16" Venturi
	<ol style="list-style-type: none"><li>1. External Pulse</li><li>2. No Recirculator</li><li>3. Similar to HR-18A,HR-25A &amp; HR-27A</li><li>4. Fixed Jet-Adjustable</li><li>5. ATV,Fox,Boatel,Polaris,Rupp &amp; Trail-A-Sled</li></ol>		<ol style="list-style-type: none"><li>1. External Pulse</li><li>2. No Recirculator</li><li>3. Similar to HR-47A</li><li>4. Fixed Jet-Adjustable</li><li>5. Lionel</li></ol>
HR-20A	1-3/16" Venturi	HR-27A	1-3/16" Venturi
	<ol style="list-style-type: none"><li>1. Internal Pulse</li><li>2. No Recirculator</li><li>3. Similar to HR-21A &amp; HR-33A</li><li>4. Fixed Jet-Adjustable</li><li>5. Ski-Daddler,Trade Winds &amp; Fox Corporation</li></ol>		<ol style="list-style-type: none"><li>1. External Pulse</li><li>2. No Recirculator</li><li>3. Similar to HR-18A,HR-28A HR-29A,HR-45A &amp; HR-52A</li><li>4. Fixed Jet-Adjustable</li><li>5. Lionel</li></ol>
HR-21A	1-3/16" Venturi	HR-28A	1-3/16" Venturi
	<ol style="list-style-type: none"><li>1. Internal Pulse</li><li>2. No Recirculator</li><li>3. Similar to HR-20A &amp; HR-33A</li><li>4. Fixed Jet-Adjustable</li><li>5. Fox Corp.,Herters &amp; Muscat</li></ol>		<ol style="list-style-type: none"><li>1. External Pulse</li><li>2. No Recirculator</li><li>3. Similar to HR-18A,HR-27A, HR-29A,HR-45A &amp; HR-52A</li><li>4. Fixed Jet-Adjustable</li><li>5. Bolens Huski</li></ol>
HR-22A	1-3/16" Venturi	HR-29A	1-3/16" Venturi
	<ol style="list-style-type: none"><li>1. External Pulse</li><li>2. No Recirculator</li><li>3. Similar to HR-23A,HR-41A &amp; HR-50A</li><li>4. Fixed Jet-Adjustable</li><li>5. Erickson,Chaparral &amp; Arctic</li></ol>		<ol style="list-style-type: none"><li>1. External Pulse</li><li>2. No Recirculator</li><li>3. Similar to HR-18A,HR-27A, HR-29A,HR-45A &amp; HR-52A</li><li>4. Fixed Jet-Adjustable</li><li>5. Alouette</li></ol>
HR-23A	1-3/16" Venturi	HR-30A	1-9/32" Venturi
	<ol style="list-style-type: none"><li>1. External Pulse</li><li>2. No Recirculator</li><li>3. Similar to HR-22A,HR-41A &amp; HR-50A</li><li>4. Fixed Jet-Adjustable</li><li>5. Frederick-Willys &amp; Muscat</li></ol>		<ol style="list-style-type: none"><li>1. External Pulse</li><li>2. No Recirculator</li><li>3. Similar to HR-44A</li><li>4. Fixed Jet-Adjustable</li><li>5. Trail-A-Sled, Rupp</li></ol>
HR-24A	1-3/16" Venturi	HR-31A	1-3/16" Venturi
	<ol style="list-style-type: none"><li>1. External Pulse</li><li>2. No Recirculator</li><li>3. Similar to HR-32A</li><li>4. Fixed Jet-Adjustable</li><li>5. Arctic,Erickson,Herters &amp; Polaris</li></ol>		<ol style="list-style-type: none"><li>1. External Pulse</li><li>2. No Recirculator</li><li>3. Similar to HR-22A &amp; HR-50A</li><li>4. Fixed Jet-Adjustable</li><li>5. Outboard Marine &amp; Trade Winds</li></ol>
HR-25A	1-3/16" Venturi	HR-32A	1-3/16" Venturi
	<ol style="list-style-type: none"><li>1. External Pulse</li><li>2. No Recirculator</li><li>3. Similar to HR-18A,HR-29A, HR-45A &amp; HR-52A</li><li>4. Fixed Jet-Adjustable</li><li>5. Moto-Ski</li></ol>		<ol style="list-style-type: none"><li>1. External Pulse</li><li>2. No Recirculator</li><li>3. Similar to HR-24A</li><li>4. Fixed Jet-Adjustable</li><li>5. Trade Winds</li></ol>

HR-33A	1-3/16" Venturi	HR-41A	1-3/16" Venturi
	<ol style="list-style-type: none"><li>1. Internal Pulse</li><li>2. No Recirculator</li><li>3. Similar to HR-20A</li><li>4. Fixed Jet-Adjustable</li><li>5. Ski-Whiz</li></ol>		<ol style="list-style-type: none"><li>1. External Pulse</li><li>2. No Recirculator</li><li>3. Similar to HR-50A</li><li>4. Fixed Jet-Adjustable</li><li>5. Kohler</li></ol>
HR-34A	1-3/16" Venturi	HR-42A	1-9/32" Venturi
	<ol style="list-style-type: none"><li>1. External Pulse</li><li>2. Recirculator</li><li>3. Similar to HR-18A,HR-45A &amp; HR-52A</li><li>4. Fixed Jet-Adjustable</li><li>5. Magna American Amphi-Cat &amp; Beehoo</li></ol>		<ol style="list-style-type: none"><li>1. External Pulse</li><li>2. Recirculator</li><li>3. Similar to HR-43A,HR-49A &amp; HR-49B</li><li>4. Fixed Jet-Adjustable</li><li>5. Kohler</li></ol>
HR-35A	1-9/32" Venturi	HR-43A	1-9/32" Venturi
	<ol style="list-style-type: none"><li>1. External Pulse</li><li>2. No Recirculator</li><li>3. Similar to HR-55A</li><li>4. Fixed Jet-Adjustable</li><li>5. Kohler</li></ol>		<ol style="list-style-type: none"><li>1. External Pulse</li><li>2. No Recirculator</li><li>3. Similar to HR-49A &amp; HR-49B</li><li>4. Fixed Jet-Adjustable</li><li>5. Kohler</li></ol>
HR-36A	1-9/32" Venturi	HR-44A	1-9/32" Venturi
	<ol style="list-style-type: none"><li>1. Internal Pulse</li><li>2. No Recirculator</li><li>3. Similar to HR-16A</li><li>4. Fixed Jet-Adjustable</li><li>5. Roski Ltd.</li></ol>		<ol style="list-style-type: none"><li>1. External Pulse</li><li>2. No Recirculator</li><li>3. Similar to HR-55A</li><li>4. Fixed Jet-Adjustable</li><li>5. Moto-Ski</li></ol>
HR-37A	1-3/16" Venturi	HR-45A	1-3/16" Venturi
	<ol style="list-style-type: none"><li>1. Internal Pulse</li><li>2. Recirculator</li><li>3. Similar to HR-7A,HR-10A &amp; HR-15A</li><li>4. Fixed Jet-Adjustable</li><li>5. Ski-Doo</li></ol>		<ol style="list-style-type: none"><li>1. External Pulse</li><li>2. No Recirculator</li><li>3. Similar to HR-46A &amp; HR-52A</li><li>4. Fixed Jet-Adjustable</li><li>5. Sno-Prince</li></ol>
HR-38A	1-3/16" Venturi	HR-46A	1-3/16" Venturi
	<ol style="list-style-type: none"><li>1. External Pulse</li><li>2. Recirculator</li><li>3. Similar to HR-41A &amp; HR-50A</li><li>4. Fixed Jet-Adjustable</li><li>5. Kohler</li></ol>		<ol style="list-style-type: none"><li>1. External Pulse</li><li>2. No Recirculator</li><li>3. Similar to HR-45A &amp; HR-52A</li><li>4. Fixed Jet-Adjustable</li><li>5. Sno-Prince</li></ol>
HR-40A	1-9/32" Venturi	HR-47A	1-3/16" Venturi
	<ol style="list-style-type: none"><li>1. Internal Pulse</li><li>2. No Recirculator</li><li>3. Similar to HR-77A &amp; HR-76A</li><li>4. Fixed Jet-Adjustable</li><li>5. Ski-Doo</li></ol>		<ol style="list-style-type: none"><li>1. External Pulse</li><li>2. No Recirculator</li><li>3. Similar to HR-26A</li><li>4. Fixed Jet-Adjustable</li><li>5. Sno-Prince</li></ol>

HR-48A	1-9/32" Venturi	HR-54B	1-9/32" Venturi
	<ol style="list-style-type: none"> <li>1. External Pulse</li> <li>2. No Recirculator</li> <li>4. Fixed Jet-Adjustable</li> <li>5. Powered Products</li> </ol>		<ol style="list-style-type: none"> <li>1. Internal Pulse</li> <li>2. No Recirculator</li> <li>3. Similar to HR-54A</li> <li>4. Fixed Jet-Adjustable</li> <li>5. Massey-Ferguson</li> </ol>
HR-49A	1-9/32" Venturi	HR-55A	1-9/32" Venturi
	<ol style="list-style-type: none"> <li>1. External Pulse</li> <li>2. No Recirculator</li> <li>3. Similar to HR-49B &amp; HR-53A</li> <li>4. Fixed Jet-Adjustable</li> <li>5. Arctic</li> </ol>		<ol style="list-style-type: none"> <li>1. External Pulse</li> <li>2. No Recirculator</li> <li>3. Similar to HR-82A</li> <li>4. Fixed Jet-Adjustable</li> <li>5. Massey-Ferguson</li> </ol>
HR-49B	1-9/32" Venturi	HR-56A	1-9/32" Venturi
	<ol style="list-style-type: none"> <li>1. External Pulse</li> <li>2. No Recirculator</li> <li>3. Similar to HR-49A &amp; HR-53A</li> <li>4. Fixed Jet-Adjustable</li> <li>5. Arctic</li> </ol>		<ol style="list-style-type: none"> <li>1. Internal Pulse</li> <li>2. No Recirculator</li> <li>4. Fixed Jet-Adjustable</li> <li>5. Massey-Ferguson</li> </ol>
HR-50A	1-3/16" Venturi	HR-57A	1-9/32" Venturi
	<ol style="list-style-type: none"> <li>1. External Pulse</li> <li>2. No Recirculator</li> <li>3. Similar to HR-41A</li> <li>4. Fixed Jet-Adjustable</li> <li>5. Arctic</li> </ol>		<ol style="list-style-type: none"> <li>1. External Pulse</li> <li>2. Recirculator</li> <li>3. Similar to HR-59A</li> <li>4. Fixed Jet-Adjustable</li> <li>5. FMC Corporation</li> </ol>
HR-51A	1-9/32" Venturi	HR-58A	1-3/16" Venturi
	<ol style="list-style-type: none"> <li>1. External Pulse</li> <li>2. No Recirculator</li> <li>3. Similar to HR-35A &amp; HR-44A</li> <li>4. Fixed Jet-Adjustable</li> <li>5. Alouette</li> </ol>		<ol style="list-style-type: none"> <li>1. Internal Pulse</li> <li>2. No Recirculator</li> <li>3. Similar to HR-125A</li> <li>4. Fixed Jet-Adjustable</li> <li>5. Boatel</li> </ol>
HR-52A	1-3/16" Venturi	HR-59A	1-9/32" Venturi
	<ol style="list-style-type: none"> <li>1. External Pulse</li> <li>2. No Recirculator</li> <li>3. Similar to HR-45A &amp; HR-46A</li> <li>4. Fixed Jet-Adjustable</li> <li>5. Alouette</li> </ol>		<ol style="list-style-type: none"> <li>1. External Pulse</li> <li>2. No Recirculator</li> <li>3. Similar to HR-57A</li> <li>4. Fixed Jet-Adjustable</li> <li>5. Boatel</li> </ol>
HR-53A	1-9/32" Venturi	HR-60A	1-9/32" Venturi
	<ol style="list-style-type: none"> <li>1. External Pulse</li> <li>2. Recirculator</li> <li>3. Similar to HR-49A &amp; HR-49B</li> <li>4. Fixed Jet-Adjustable</li> <li>5. Alouette</li> </ol>		<ol style="list-style-type: none"> <li>1. External Pulse</li> <li>2. Recirculator</li> <li>3. Similar to HR-82A,HR-91A</li> <li>4. Fixed Jet-Adjustable</li> <li>5. Rupp</li> </ol>
HR-54A	1-9/32" Venturi	HR-61A	1-3/16" Venturi
	<ol style="list-style-type: none"> <li>1. Internal Pulse</li> <li>2. No Recirculator</li> <li>3. Similar to HR-54B</li> <li>4. Fixed Jet-Adjustable</li> <li>5. Massey-Ferguson</li> </ol>		<ol style="list-style-type: none"> <li>1. External Pulse</li> <li>2. Recirculator</li> <li>3. Similar to HR-65A,HR-86A</li> <li>4. Fixed Jet-Adjustable</li> <li>5. Herters</li> </ol>

HR-62A	1-3/16" Venturi	HR-70A	1-9/32" Venturi
	<ol style="list-style-type: none"> <li>1. External Pulse</li> <li>2. Recirculator</li> <li>3. Similar to HR-47A</li> <li>4. Fixed Jet-Adjustable</li> <li>5. Herters</li> </ol>		<ol style="list-style-type: none"> <li>1. External Pulse</li> <li>2. No Recirculator</li> <li>3. Similar to HR-70B &amp; HR-105A</li> <li>4. Fixed Jet-Adjustable</li> <li>5. Arctic</li> </ol>
HR-63A	1-9/32" Venturi	HR-70B	1-9/32" Venturi
	<ol style="list-style-type: none"> <li>1. External Pulse</li> <li>2. Recirculator</li> <li>3. Similar to HR-82A,HR-91A</li> <li>4. Fixed Jet-Adjustable</li> <li>5. Alsport</li> </ol>		<ol style="list-style-type: none"> <li>1. External Pulse</li> <li>2. Recirculator</li> <li>3. Similar to HR-105A</li> <li>4. Fixed Jet-Adjustable</li> <li>5. Arctic</li> </ol>
HR-64A	1-3/16" Venturi	HR-71A	1-3/16" Venturi
	<ol style="list-style-type: none"> <li>1. External Pulse</li> <li>2. Recirculator</li> <li>3. Similar to HR-65A &amp; HR-86A</li> <li>4. Fixed Jet-Adjustable</li> <li>5. Skiroule</li> </ol>		<ol style="list-style-type: none"> <li>1. Internal Pulse</li> <li>2. No Recirculator</li> <li>4. Fixed Jet-Adjustable</li> <li>5. CCW</li> </ol>
HR-65A	1-3/16" Venturi	HR-72A	1-9/32" Venturi
	<ol style="list-style-type: none"> <li>1. External Pulse</li> <li>2. Recirculator</li> <li>3. Similar to HR-64A &amp; HR-86A</li> <li>4. Fixed Jet-Adjustable</li> <li>5. ATV Mfg.</li> </ol>		<ol style="list-style-type: none"> <li>1. Internal Pulse</li> <li>2. No Recirculator</li> <li>3. Similar to HR-119A</li> <li>4. Fixed Jet-Adjustable</li> <li>5. CCW</li> </ol>
HR-66A	1-3/16" Venturi	HR-73A	1-3/16" Venturi
	<ol style="list-style-type: none"> <li>1. External Pulse</li> <li>2. No Recirculator</li> <li>3. Similar to HR-85A &amp; HR-93A</li> <li>4. Fixed Jet-Adjustable</li> <li>5. Kiekhaefer Mercury</li> </ol>		<ol style="list-style-type: none"> <li>1. Internal Pulse</li> <li>2. Recirculator</li> <li>4. Fixed-Replaceable Jet, R.H. Thread</li> <li>5. Ski-Doo</li> </ol>
HR-67A	1-9/32" Venturi	HR-74A	1-9/32" Venturi
	<ol style="list-style-type: none"> <li>1. External Pulse</li> <li>2. No Recirculator</li> <li>3. Similar to HR-95A,HR-102A &amp; HR-107A</li> <li>4. Fixed Jet-Adjustable</li> <li>5. Rupp</li> </ol>		<ol style="list-style-type: none"> <li>1. Internal Pulse</li> <li>2. Recirculator</li> <li>4. Fixed Jet-Adjustable</li> <li>5. Ski-Doo</li> </ol>
HR-68A	1-3/16" Venturi	HR-75A	1-9/32" Venturi
	<ol style="list-style-type: none"> <li>1. Internal Pulse</li> <li>2. No Recirculator</li> <li>3. Similar to HR-83A</li> <li>4. Fixed Jet-Adjustable</li> <li>5. Allis-Chalmers</li> </ol>		<ol style="list-style-type: none"> <li>1. Internal Pulse</li> <li>2. Recirculator</li> <li>3. Similar to HR-69A</li> <li>4. Fixed Jet-Adjustable</li> <li>5. Ski-Doo</li> </ol>
HR-69A	1-9/32" Venturi	HR-76A	1-9/32" Venturi
	<ol style="list-style-type: none"> <li>1. Internal Pulse</li> <li>2. Recirculator</li> <li>3. Similar to HR-75A</li> <li>4. Fixed-Replaceable Jet, R.H. Thread</li> <li>5. Ski-Doo</li> </ol>		<ol style="list-style-type: none"> <li>1. Internal Pulse</li> <li>2. Recirculator</li> <li>3. Similar to HR-77A</li> <li>4. Fixed Jet-Adjustable</li> <li>5. Ski-Doo</li> </ol>



HR-77A	1-9/32" Venturi	HR-85A	1-3/16" Venturi
	<ol style="list-style-type: none"> <li>1. Internal Pulse</li> <li>2. Recirculator</li> <li>3. Similar to HR-76A</li> <li>4. Fixed Jet-Adjustable</li> <li>5. Ski-Doo</li> </ol>		<ol style="list-style-type: none"> <li>1. External Pulse</li> <li>2. No Recirculator</li> <li>3. Similar to HR-66A &amp; HR-93A</li> <li>4. Fixed Jet-Adjustable</li> <li>5. Skiroule</li> </ol>
HR-78A	1-3/16" Venturi	HR-86A	1-3/16" Venturi
	<ol style="list-style-type: none"> <li>1. External Pulse</li> <li>2. No Recirculator</li> <li>3. Similar to HR-41A</li> <li>4. Fixed Jet-Adjustable</li> <li>5. Kohler</li> </ol>		<ol style="list-style-type: none"> <li>1. External Pulse</li> <li>2. Recirculator</li> <li>3. Similar to HR-65A</li> <li>4. Fixed Jet-Adjustable</li> <li>5. Recreatives</li> </ol>
HR-79A	1-9/32" Venturi	HR-87A	1-3/16" Venturi
	<ol style="list-style-type: none"> <li>1. External Pulse</li> <li>2. No Recirculator</li> <li>3. Similar to HR-79B &amp; HR-105A</li> <li>4. Fixed Jet-Adjustable</li> <li>5. Kohler</li> </ol>		<ol style="list-style-type: none"> <li>1. Internal Pulse</li> <li>2. Recirculator</li> <li>3. Similar to HR-108A</li> <li>4. Fixed Jet-Adjustable</li> <li>5. FTS Corporation</li> </ol>
HR-79B	1-9/32" Venturi	HR-88A	1-3/16" Venturi
	<ol style="list-style-type: none"> <li>1. External Pulse</li> <li>2. Recirculator</li> <li>3. Similar to HR-79A &amp; HR-105A</li> <li>4. Fixed Jet-Adjustable</li> <li>5. Kohler</li> </ol>		<ol style="list-style-type: none"> <li>1. Internal Pulse</li> <li>2. No Recirculator</li> <li>3. Similar to HR-125A</li> <li>4. Fixed Jet-Adjustable</li> <li>5. Ariens</li> </ol>
HR-81A	1-3/16" Venturi	HR-89A	1-3/16" Venturi
	<ol style="list-style-type: none"> <li>1. Internal Pulse</li> <li>2. Recirculator</li> <li>3. Similar to HR-125A</li> <li>4. Fixed Jet-Adjustable</li> <li>5. McKee Bros.</li> </ol>		<ol style="list-style-type: none"> <li>1. External Pulse</li> <li>2. Recirculator</li> <li>3. Similar to HR-89A1 &amp; HR-89AX</li> <li>4. Fixed Jet-Adjustable</li> <li>5. Gutbrod (Bolens Huski)</li> </ol>
HR-82A	1-9/32" Venturi	HR-89A1	1-3/16" Venturi
	<ol style="list-style-type: none"> <li>1. External Pulse</li> <li>2. Recirculator</li> <li>3. Similar to HR-91A</li> <li>4. Fixed Jet-Adjustable</li> <li>5. Skiroule</li> </ol>		<ol style="list-style-type: none"> <li>1. External Pulse</li> <li>2. Recirculator</li> <li>3. Similar to HR-89A &amp; HR-89AX</li> <li>4. Fixed Jet-Adjustable</li> <li>5. Gutbrod (Bolens Huski)</li> </ol>
HR-83A	1-3/16" Venturi	HR-89AX	1-3/16" Venturi
	<ol style="list-style-type: none"> <li>1. Internal Pulse</li> <li>2. No Recirculator</li> <li>3. Similar to HR-68A</li> <li>4. Fixed Jet-Adjustable</li> <li>5. Sperry Rand (New Holland)</li> </ol>		<ol style="list-style-type: none"> <li>1. External Pulse</li> <li>2. Recirculator</li> <li>3. Similar to HR-89A &amp; HR-89A1</li> <li>4. Fixed Jet-Adjustable</li> <li>5. Gutbrod (Bolens Huski)</li> </ol>
HR-84A	1-3/16" Venturi		
	<ol style="list-style-type: none"> <li>1. External Pulse</li> <li>2. No Recirculator</li> <li>3. Similar to HR-92A</li> <li>4. Fixed Jet-Adjustable</li> <li>5. Kiekhaefer Mercury</li> </ol>		

HR-90A	1-3/16" Venturi	HR-99A	1-3/16" Venturi
	<ol style="list-style-type: none"> <li>1. External Pulse</li> <li>2. Recirculator</li> <li>3. Similar to HR-99A &amp; HR-110A</li> <li>4. Fixed Jet-Adjustable</li> <li>5. Skiroule</li> </ol>		<ol style="list-style-type: none"> <li>1. External Pulse</li> <li>2. Recirculator</li> <li>3. Similar to HR-90A</li> <li>4. Fixed Jet-Adjustable</li> <li>5. CCW</li> </ol>
HR-91A	1-9/32" Venturi	HR-100A	1-3/16" Venturi
	<ol style="list-style-type: none"> <li>1. External Pulse</li> <li>2. Recirculator</li> <li>3. Similar to HR-82A,HR-95A &amp; HR-107A</li> <li>4. Fixed Jet-Adjustable</li> <li>5. Alouette</li> </ol>		<ol style="list-style-type: none"> <li>1. External Pulse</li> <li>2. Recirculator</li> <li>3. Similar to HR-101A</li> <li>4. Fixed Jet-Adjustable</li> <li>5. CCW</li> </ol>
HR-92A	1-3/16" Venturi	HR-101A	1-3/16" Venturi
	<ol style="list-style-type: none"> <li>1. External Pulse</li> <li>2. No Recirculator</li> <li>3. Similar to HR-84A</li> <li>4. Fixed Jet-Adjustable</li> <li>5. Eagle Machine Company</li> </ol>		<ol style="list-style-type: none"> <li>1. External Pulse</li> <li>2. No Recirculator</li> <li>3. Similar to HR-94A &amp; HR-98A</li> <li>4. Fixed Jet-Adjustable</li> <li>5. CCW</li> </ol>
HR-93A	1-3/16" Venturi	HR-102A	1-9/32" Venturi
	<ol style="list-style-type: none"> <li>1. External Pulse</li> <li>2. No Recirculator</li> <li>3. Similar to HR-85A</li> <li>4. Fixed Jet-Adjustable</li> <li>5. Coot Inc.</li> </ol>		<ol style="list-style-type: none"> <li>1. External Pulse</li> <li>2. No Recirculator</li> <li>3. Similar to HR-67A &amp; HR-107A</li> <li>4. Fixed Jet-Adjustable</li> <li>5. Sno-Prince</li> </ol>
HR-94A	1-3/16" Venturi	HR-103A	1-3/16" Venturi
	<ol style="list-style-type: none"> <li>1. External Pulse</li> <li>2. No Recirculator</li> <li>3. Similar to HR-101A</li> <li>4. Fixed Jet-Adjustable</li> <li>5. Boatel</li> </ol>		<ol style="list-style-type: none"> <li>1. External Pulse</li> <li>2. Recirculator</li> <li>3. Similar to HR-111A</li> <li>4. Fixed Jet-Adjustable</li> <li>5. Bolens Huski</li> </ol>
HR-95A	1-9/32" Venturi	HR-104A	1-9/32" Venturi
	<ol style="list-style-type: none"> <li>1. External Pulse</li> <li>2. No Recirculator</li> <li>3. Similar to HR-107A</li> <li>4. Fixed Jet-Adjustable</li> <li>5. Scorpion</li> </ol>		<ol style="list-style-type: none"> <li>1. Internal Pulse</li> <li>2. No Recirculator</li> <li>4. Fixed Jet-Adjustable</li> <li>5. AMF</li> </ol>
HR-97A	1-9/32" Venturi	HR-105A	1-9/32" Venturi
	<ol style="list-style-type: none"> <li>1. External Pulse</li> <li>2. Recirculator</li> <li>4. Fixed Jet-Adjustable</li> <li>5. Scorpion</li> </ol>		<ol style="list-style-type: none"> <li>1. External Pulse</li> <li>2. Recirculator</li> <li>3. Similar to HR-70B</li> <li>4. Fixed Jet-Adjustable</li> <li>5. Kohler</li> </ol>
HR-98A	1-3/16" Venturi	HR-107A	1-9/32" Venturi
	<ol style="list-style-type: none"> <li>1. External Pulse</li> <li>2. No Recirculator</li> <li>3. Similar to HR-101A &amp; HR-115A</li> <li>4. Fixed Jet-Adjustable</li> <li>5. Scorpion</li> </ol>		<ol style="list-style-type: none"> <li>1. External Pulse</li> <li>2. No Recirculator</li> <li>3. Similar to HR-95A</li> <li>4. Fixed Jet-Adjustable</li> <li>5. Polaris</li> </ol>

HR-108A	1-3/16" Venturi	HR-116A	1-9/32" Venturi
	<ol style="list-style-type: none"> <li>1. Internal Pulse</li> <li>2. Recirculator</li> <li>3. Similar to HR-87A</li> <li>4. Fixed Jet-Adjustable</li> <li>5. Brandt Machine Works</li> </ol>		<ol style="list-style-type: none"> <li>1. External Pulse</li> <li>2. No Recirculator</li> <li>3. Similar to HR-127A</li> <li>4. Fixed Jet-Adjustable</li> <li>5. Scorpion</li> </ol>
HR-109A	1-9/32" Venturi	HR-117A	1-9/32" Venturi
	<ol style="list-style-type: none"> <li>1. External Pulse</li> <li>2. No Recirculator</li> <li>4. Fixed Jet-Adjustable</li> <li>5. Arctic</li> </ol>		<ol style="list-style-type: none"> <li>1. External Pulse</li> <li>2. Recirculator</li> <li>4. Fixed Jet-Adjustable</li> <li>5. Moto-Ski</li> </ol>
HR-110A	1-3/16" Venturi	HR-118A	1-9/32" Venturi
	<ol style="list-style-type: none"> <li>1. External Pulse</li> <li>2. Recirculator</li> <li>3. Similar to HR-90A,HR-99A</li> <li>4. Fixed Jet-Adjustable</li> <li>5. Ezee-On Mfg.</li> </ol>		<ol style="list-style-type: none"> <li>1. External Pulse</li> <li>2. Recirculator</li> <li>3. Similar to HR-130A</li> <li>4. Fixed Jet-Adjustable</li> <li>5. Moto-Ski</li> </ol>
HR-111A	1-3/16" Venturi	HR-119A	1-9/32" Venturi
	<ol style="list-style-type: none"> <li>1. External Pulse</li> <li>2. Recirculator</li> <li>3. Similar to HR-103A</li> <li>4. Fixed Jet-Adjustable</li> <li>5. Gutbrod (Bolens Div)</li> </ol>		<ol style="list-style-type: none"> <li>1. Internal Pulse</li> <li>2. Recirculator</li> <li>3. Similar to HR-72A</li> <li>4. Fixed Jet-Adjustable</li> <li>5. Northway</li> </ol>
HR-112A	1-9/32" Venturi	HR-120A	1-9/32" Venturi
	<ol style="list-style-type: none"> <li>1. Internal Pulse</li> <li>2. Recirculator</li> <li>4. Fixed Jet-Adjustable</li> <li>5. Ski-Doo</li> </ol>		<ol style="list-style-type: none"> <li>1. External Pulse</li> <li>2. Recirculator</li> <li>4. Fixed Jet-Adjustable</li> <li>5. Northway</li> </ol>
HR-113A	1-9/32" Venturi	HR-121A	1-9/32" Venturi
	<ol style="list-style-type: none"> <li>1. External Pulse</li> <li>2. No Recirculator</li> <li>4. Fixed Jet-Adjustable</li> <li>5. Kiekhaefer Mercury</li> </ol>		<ol style="list-style-type: none"> <li>1. External Pulse</li> <li>2. Recirculator</li> <li>4. Fixed Jet-Adjustable</li> <li>5. Scorpion</li> </ol>
HR-114A	1-3/16" Venturi	HR-122A	1-9/32" Venturi
	<ol style="list-style-type: none"> <li>1. External Pulse</li> <li>2. No Recirculator</li> <li>3. Similar to HR-142A</li> <li>4. Fixed Jet-Adjustable</li> <li>5. Fichtel &amp; Sachs</li> </ol>		<ol style="list-style-type: none"> <li>1. External Pulse</li> <li>2. Recirculator</li> <li>3. Similar to HR-148A</li> <li>4. Fixed Jet-Adjustable</li> <li>5. Skiroule</li> </ol>
HR-115A	1-3/16" Venturi	HR-123A	1-9/32" Venturi
	<ol style="list-style-type: none"> <li>1. External Pulse</li> <li>2. No Recirculator</li> <li>3. Similar to HR-98A</li> <li>4. Fixed Jet-Adjustable</li> <li>5. Scorpion</li> </ol>		<ol style="list-style-type: none"> <li>1. External Pulse</li> <li>2. Recirculator</li> <li>4. Fixed Jet-Adjustable</li> <li>5. Massey-Ferguson</li> </ol>

HR-124A	1-9/32" Venturi	HR-132A	1-3/16" Venturi
	<ol style="list-style-type: none"><li>1. External Pulse</li><li>2. Recirculator</li><li>4. Fixed Jet-Adjustable</li><li>5. Kohler</li></ol>		<ol style="list-style-type: none"><li>1. External Pulse</li><li>2. Recirculator</li><li>4. Fixed Jet-Adjustable</li><li>5. Ski-Doo</li></ol>
HR-125A	1-3/16" Venturi	HR-133A	1-3/16" Venturi
	<ol style="list-style-type: none"><li>1. Internal Pulse</li><li>2. Recirculator</li><li>3. Similar to HR-81A</li><li>4. Fixed Jet-Adjustable</li><li>5. Swinger</li></ol>		<ol style="list-style-type: none"><li>1. External Pulse</li><li>2. Recirculator</li><li>4. Fixed-Replaceable Jet R.H. Thread</li><li>5. Ski-Doo</li></ol>
HR-126A	1-9/32" Venturi	HR-134A	1-9/32" Venturi
	<ol style="list-style-type: none"><li>1. External Pulse</li><li>2. Recirculator</li><li>4. Fixed Jet-Adjustable</li><li>5. Moto-Ski</li></ol>		<ol style="list-style-type: none"><li>1. External Pulse</li><li>2. Recirculator</li><li>4. Fixed-Replaceable Jet R.H. Thread</li><li>5. Ski-Doo</li></ol>
HR-127A	1-9/32" Venturi	HR-135A	1-9/32" Venturi
	<ol style="list-style-type: none"><li>1. External Pulse</li><li>2. No Recirculator</li><li>3. Similar to HR-116A</li><li>4. Fixed Jet-Adjustable</li><li>5. Polaris</li></ol>		<ol style="list-style-type: none"><li>1. External Pulse</li><li>2. Recirculator</li><li>4. Fixed-Replaceable Jet R.H. Thread</li><li>5. Ski-Doo</li></ol>
HR-128A	1-9/32" Venturi	HR-136A	1-3/16" Venturi
	<ol style="list-style-type: none"><li>1. External Pulse</li><li>2. Recirculator</li><li>3. Similar to HR-152A</li><li>4. Fixed Jet-Adjustable</li><li>5. Ski-Doo</li></ol>		<ol style="list-style-type: none"><li>1. External Pulse</li><li>2. Recirculator</li><li>4. Fixed-Replaceable Jet R.H. Thread</li><li>5. Ski-Doo</li></ol>
HR-129A	1-9/32" Venturi	HR-137A	1-9/32" Venturi
	<ol style="list-style-type: none"><li>1. External Pulse</li><li>2. No Recirculator</li><li>4. Fixed Jet-Adjustable</li><li>5. Sno-Jet</li></ol>		<ol style="list-style-type: none"><li>1. External Pulse</li><li>2. Recirculator</li><li>3. Similar to HR-143A</li><li>4. Fixed-Replaceable Jet R.H. Thread</li><li>5. Ski-Doo</li></ol>
HR-130A	1-9/32" Venturi	HR-139A	1-9/32" Venturi
	<ol style="list-style-type: none"><li>1. External Pulse</li><li>2. Recirculator</li><li>3. Similar to HR-118A</li><li>4. Fixed Jet-Adjustable</li><li>5. Sno-Jet</li></ol>		<ol style="list-style-type: none"><li>1. External Pulse</li><li>2. Recirculator</li><li>4. Fixed Jet-Adjustable</li><li>5. Moto-Ski</li></ol>
HR-131A	1-9/32" Venturi	HR-140A	1-9/32" Venturi
	<ol style="list-style-type: none"><li>1. External Pulse</li><li>2. Recirculator</li><li>4. Fixed-Replaceable Jet R.H. Thread</li><li>5. Ski-Doo</li></ol>		<ol style="list-style-type: none"><li>1. External Pulse</li><li>2. Recirculator</li><li>3. Similar to HR-151A</li><li>4. Fixed Jet-Adjustable</li><li>5. Moto-Ski</li></ol>

HR-141A	1-9/32" Venturi	HR-148A	1-9/32" Venturi
	<ol style="list-style-type: none"><li>1. External Pulse</li><li>2. Recirculator</li><li>3. Similar to HR-144A</li><li>4. Fixed Jet-Adjustable</li><li>5. Rupp</li></ol>		<ol style="list-style-type: none"><li>1. External Pulse</li><li>2. Recirculator</li><li>3. Similar to HR-122A</li><li>4. Fixed Jet-Adjustable</li><li>5. Skiroule</li></ol>
HR-142A	1-3/16" Venturi	HR-149A	1-9/32" Venturi
	<ol style="list-style-type: none"><li>1. External Pulse</li><li>2. No Recirculator</li><li>3. Similar to HR-114A</li><li>4. Fixed Jet-Adjustable</li><li>5. Fichtel &amp; Sachs</li></ol>		<ol style="list-style-type: none"><li>1. External Pulse</li><li>2. Recirculator</li><li>4. Fixed Jet-Adjustable</li><li>5. Ski-Doo</li></ol>
HR-143A	1-9/32" Venturi	HR-152A	1-9/32" Venturi
	<ol style="list-style-type: none"><li>1. External Pulse</li><li>2. Recirculator</li><li>3. Similar to HR-137A</li><li>4. Fixed-Replaceable Jet R.H. Thread</li><li>5. Ski-Doo</li></ol>		<ol style="list-style-type: none"><li>1. External Pulse</li><li>2. Recirculator</li><li>3. Similar to HR-128A</li><li>4. Fixed Jet-Adjustable</li><li>5. Ski-Doo</li></ol>
HR-144A	1-9/32" Venturi	HR-153A	1-9/32" Venturi
	<ol style="list-style-type: none"><li>1. External Pulse</li><li>2. Recirculator</li><li>3. Similar to HR-141A</li><li>4. Fixed Jet-Adjustable</li><li>5. Alouette</li></ol>		<ol style="list-style-type: none"><li>1. External Pulse</li><li>2. Recirculator</li><li>3. Similar to HR-130A</li><li>4. Fixed Jet-Adjustable</li><li>5. Sno-Jet</li></ol>
HR-144B	1-9/32" Venturi	HR-155A	1-3/16" Venturi
	<ol style="list-style-type: none"><li>1. External Pulse</li><li>2. Recirculator</li><li>4. Fixed Jet-Adjustable</li><li>5. Alouette</li></ol>		<ol style="list-style-type: none"><li>1. External Pulse</li><li>2. Recirculator</li><li>3. Similar to HR-136A</li><li>4. Fixed-Replaceable Jet R.H. Thread</li><li>5. Ski-Doo</li></ol>
HR-145A	1-9/32" Venturi	HR-156A	1-9/32" Venturi
	<ol style="list-style-type: none"><li>1. External Pulse</li><li>2. Recirculator</li><li>3. Similar to HR-140A</li><li>4. Fixed Jet-Adjustable</li><li>5. Moto-Ski</li></ol>		<ol style="list-style-type: none"><li>1. External Pulse</li><li>2. Recirculator</li><li>3. Similar to HR-139A</li><li>4. Fixed Jet-Adjustable</li><li>5. Moto-Ski</li></ol>
HR-146A	1-9/32" Venturi	HR-157A	1-9/32" Venturi
	<ol style="list-style-type: none"><li>1. External Pulse</li><li>2. Recirculator</li><li>4. Fixed Jet-Adjustable</li><li>5. Massey-Ferguson</li></ol>		<ol style="list-style-type: none"><li>1. External Pulse</li><li>2. No Recirculator</li><li>3. Similar to HR-120A</li><li>4. Fixed Jet-Adjustable</li><li>5. Alsport</li></ol>
HR-147A	1-9/32" Venturi	HR-158A	1-9/32" Venturi
	<ol style="list-style-type: none"><li>1. External Pulse</li><li>2. Recirculator</li><li>3. Similar to HR-53A</li><li>4. Fixed Jet-Adjustable</li><li>5. Alouette</li></ol>		<ol style="list-style-type: none"><li>1. External Pulse</li><li>2. Recirculator</li><li>3. Similar to HR-130A</li><li>4. Fixed Jet-Adjustable</li><li>5. Sno-Jet</li></ol>

HR-159A	1-9/32" Venturi	MD-146A	13/16" Venturi
	<ol style="list-style-type: none"><li>1. External Pulse</li><li>2. Recirculator</li><li>3. Similar to HR-139A</li><li>4. Fixed Jet-Adjustable</li><li>5. Moto-Ski</li></ol>		<ol style="list-style-type: none"><li>1. Float</li><li>2. No Recirculator</li><li>3. Similar to MD-147A</li><li>4. Fixed Jet-Adjustable</li><li>5. Mercury Marine</li></ol>
HR-161A	1-9/32" Venturi	MD-147A	1" Venturi
	<ol style="list-style-type: none"><li>1. External Pulse</li><li>2. Recirculator</li><li>3. Similar to HR-160A &amp; HR-135A</li><li>4. Fixed-Replaceable Jet R.H. Thread</li><li>5. Ski-Doo</li></ol>		<ol style="list-style-type: none"><li>1. Float</li><li>2. No Recirculator</li><li>3. Similar to MD-146A</li><li>4. Fixed-Replaceable Jet R.H. Thread</li><li>5. Mercury Marine</li></ol>
HR-162A	1-9/32" Venturi	OM-40A	1-1/4" Venturi
	<ol style="list-style-type: none"><li>1. External Pulse</li><li>2. Recirculator</li><li>3. Similar to HR-123A &amp; HR-60A</li><li>4. Fixed Jet-Adjustable</li><li>5. Ski-Whiz</li></ol>		<ol style="list-style-type: none"><li>1. Float</li><li>2. No Recirculator</li><li>3. Similar to OM-37A</li><li>4. Fixed-Replaceable Jet R.H. Thread</li><li>5. Mercury Marine</li></ol>
HR-163A	1-3/16" Venturi	OM-41A	1-1/4" Venturi
	<ol style="list-style-type: none"><li>1. Internal Pulse</li><li>2. No Recirculator</li><li>3. Similar to HR-100A,HR-137A</li><li>4. Fixed Jet-Adjustable</li><li>5. Polaris</li></ol>		<ol style="list-style-type: none"><li>1. Float</li><li>2. No Recirculator</li><li>3. Similar to OM-37A,OM-40A</li><li>4. Fixed-Replaceable Jet R.H. Thread</li><li>5. Mercury Marine</li></ol>
HR-164A	1-9/32" Venturi		
	<ol style="list-style-type: none"><li>1. External Pulse</li><li>2. Recirculator</li><li>3. Similar to HR-161A,HR-139A</li><li>4. Fixed Jet-Adjustable</li><li>5. Ski-Doo</li></ol>		
HRM-3A	1-7/16" Venturi		
	<ol style="list-style-type: none"><li>1. External Pulse</li><li>2. Recirculator</li><li>3. Similar to HRM-1A</li><li>4. Fixed Jet-Adjustable</li><li>5. Ski-Doo</li></ol>		



