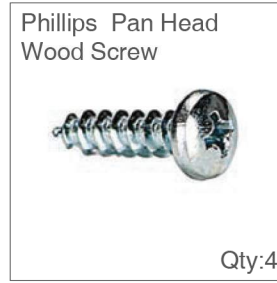


Art Table Keyboard Drawer
ATKD

Assembly Instructions



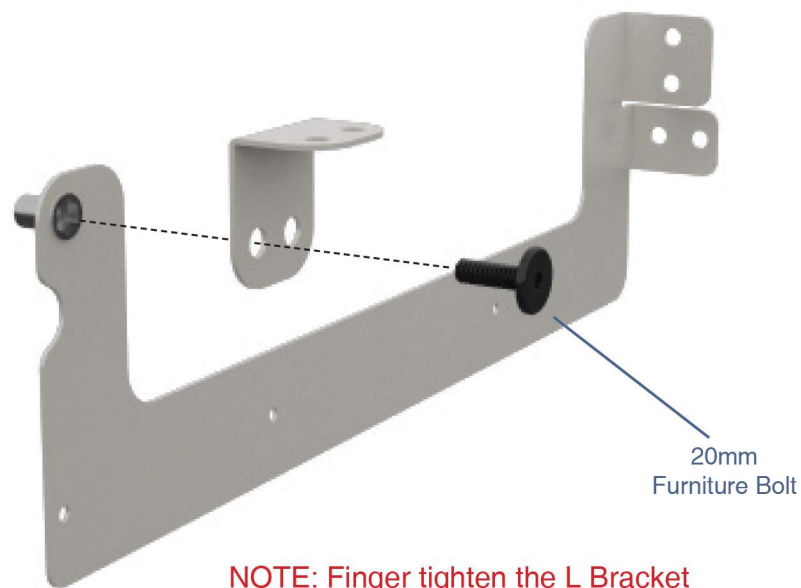
How can we improve our assembly instructions?
Your comments and suggestions are important to us.
Please e-mail us at: support@versatables.com.



Step 1

L Bracket

Secure L Bracket to both Left and Right Keyboard Tracks (2) using 20mm Furniture Bolts.



NOTE: Finger tighten the L Bracket until assembly is completed.

Step 2

Keyboard Tray

Slide Keyboard Tray into Keyboard Tracks. Remember to have L Bracket facing up.



Step 3

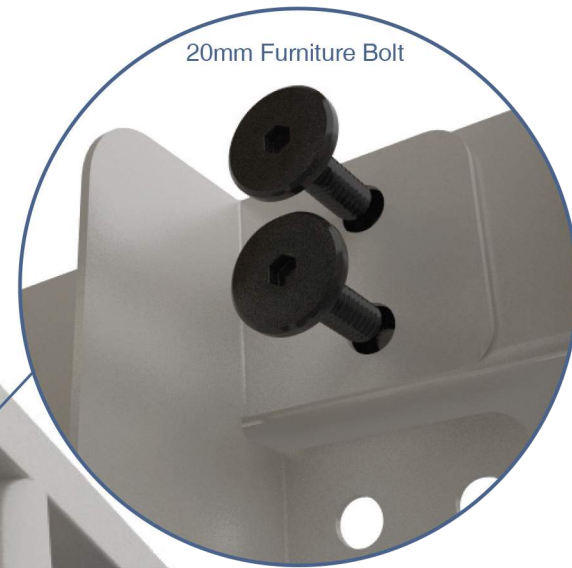
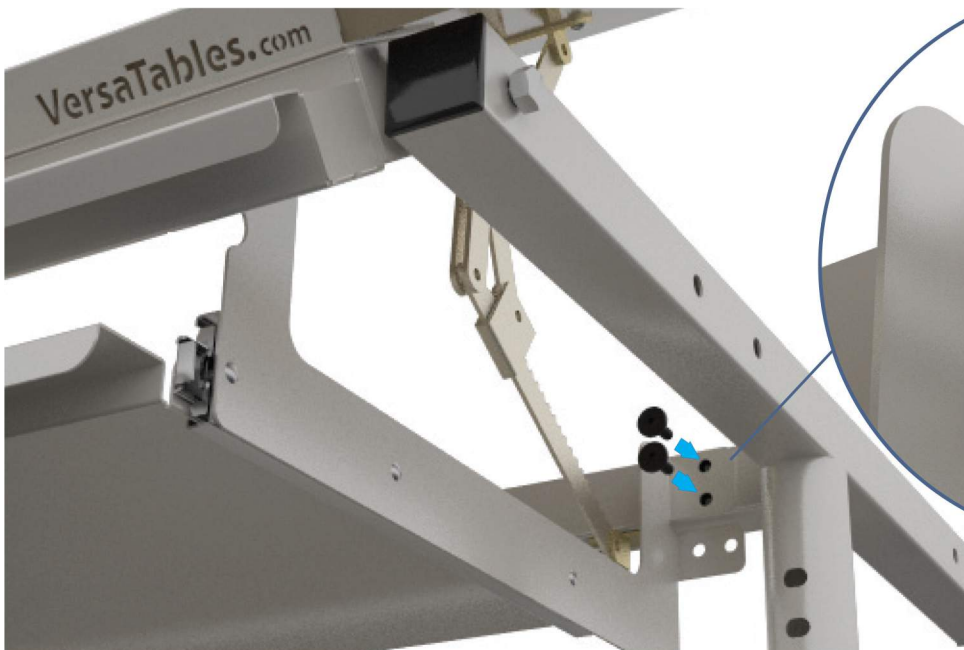
Keyboard Tray

Place Keyboard assembly below Art Table Surface and align to Cross Support. Secure Cross Support Attachment with (4) 20mm Furniture Bolts.

20mm Furniture Bolt



Qty:4



20mm Furniture Bolt

Step 4

Keyboard Tray

Use (4) Phillips Pan Wood Screws to mount L Bracket To Main Surface.

Phillips Pan
Wood Screw



Qty:4

