

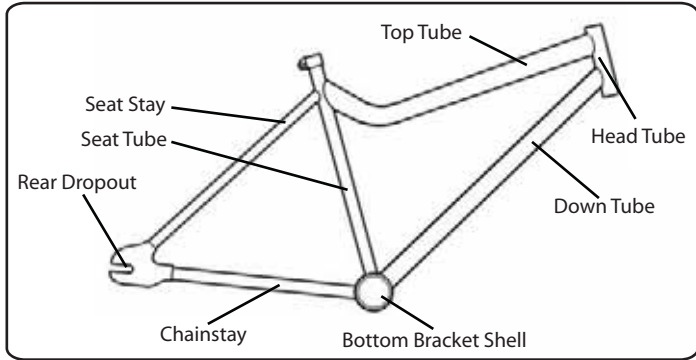


WORLD BICYCLE RELIEF™

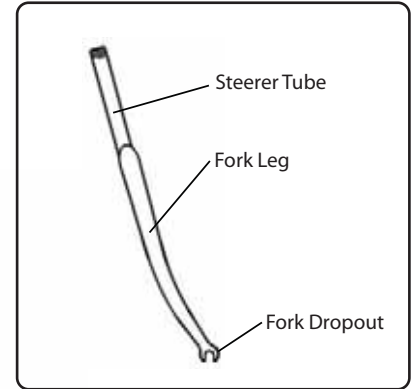
Bicycle Maintenance Manual



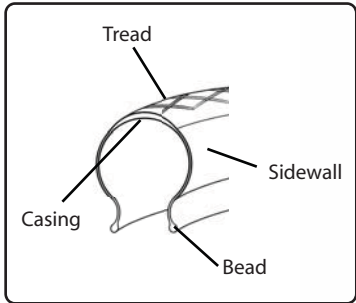
Frame



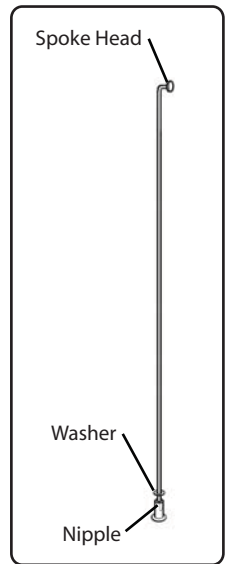
Fork



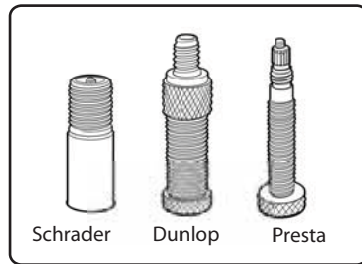
Tire



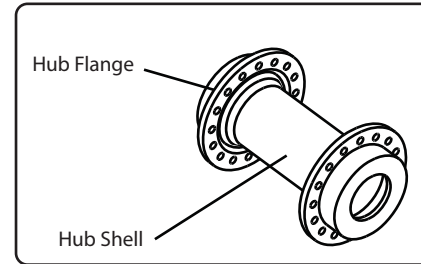
Spoke



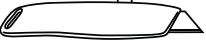



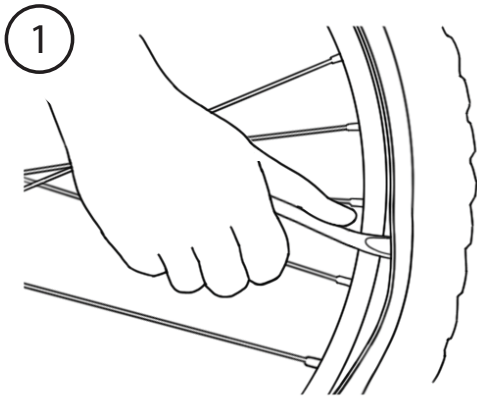
Valve Types



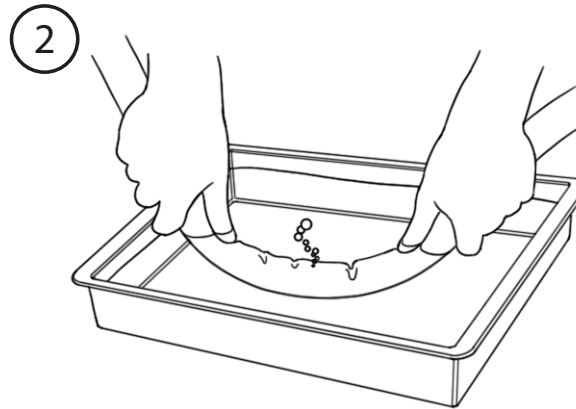
Hub



	Tire Lever
	Hacksaw Blade
	Cutting Tool
	Patching Glue



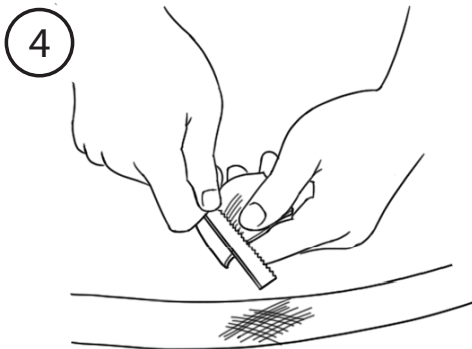
Remove tube



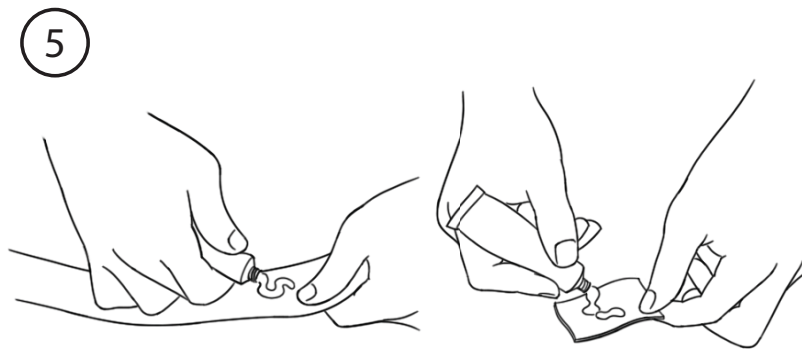
Hold underwater to locate hole



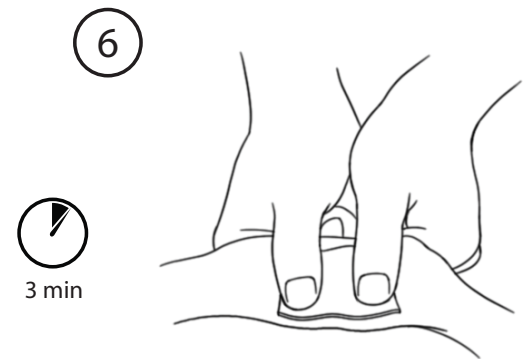
Cut patch from old tube



Scratch patch area with hacksaw blade or sandpaper



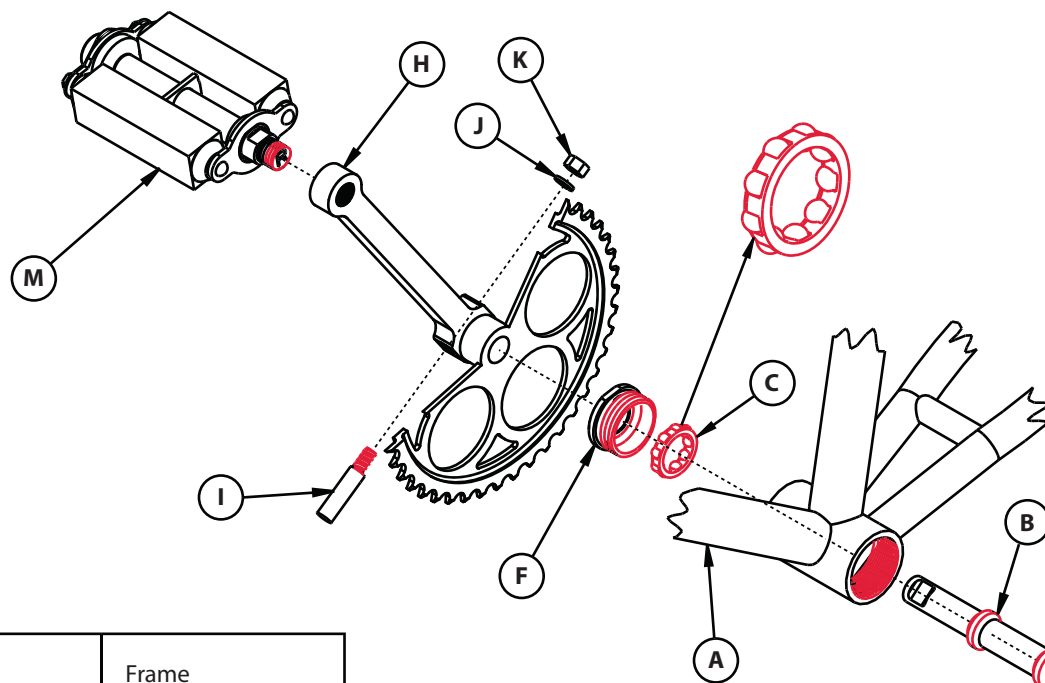
Add patching glue to tube and patch



3 min

Press patch down hard on tube



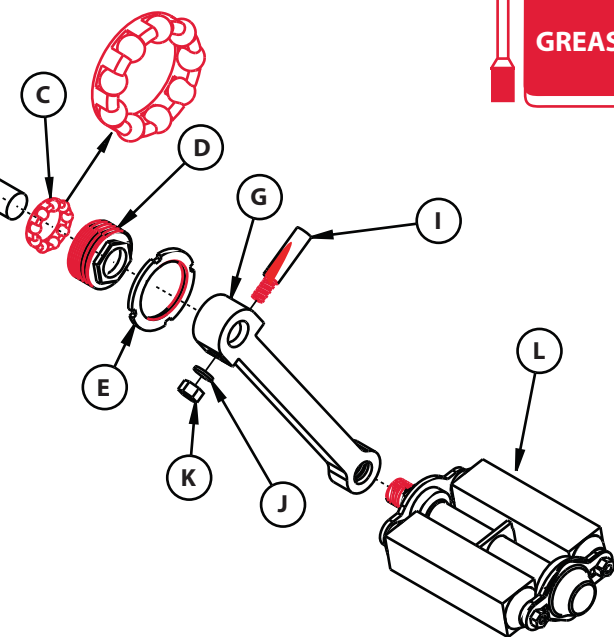


	10mm spanner
	15mm spanner
	26mm spanner
	36mm spanner
	Lockring spanner
	Hammer
	Cotter Anvil

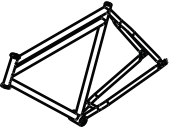
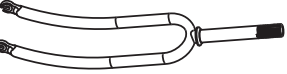





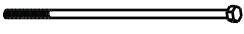



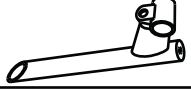




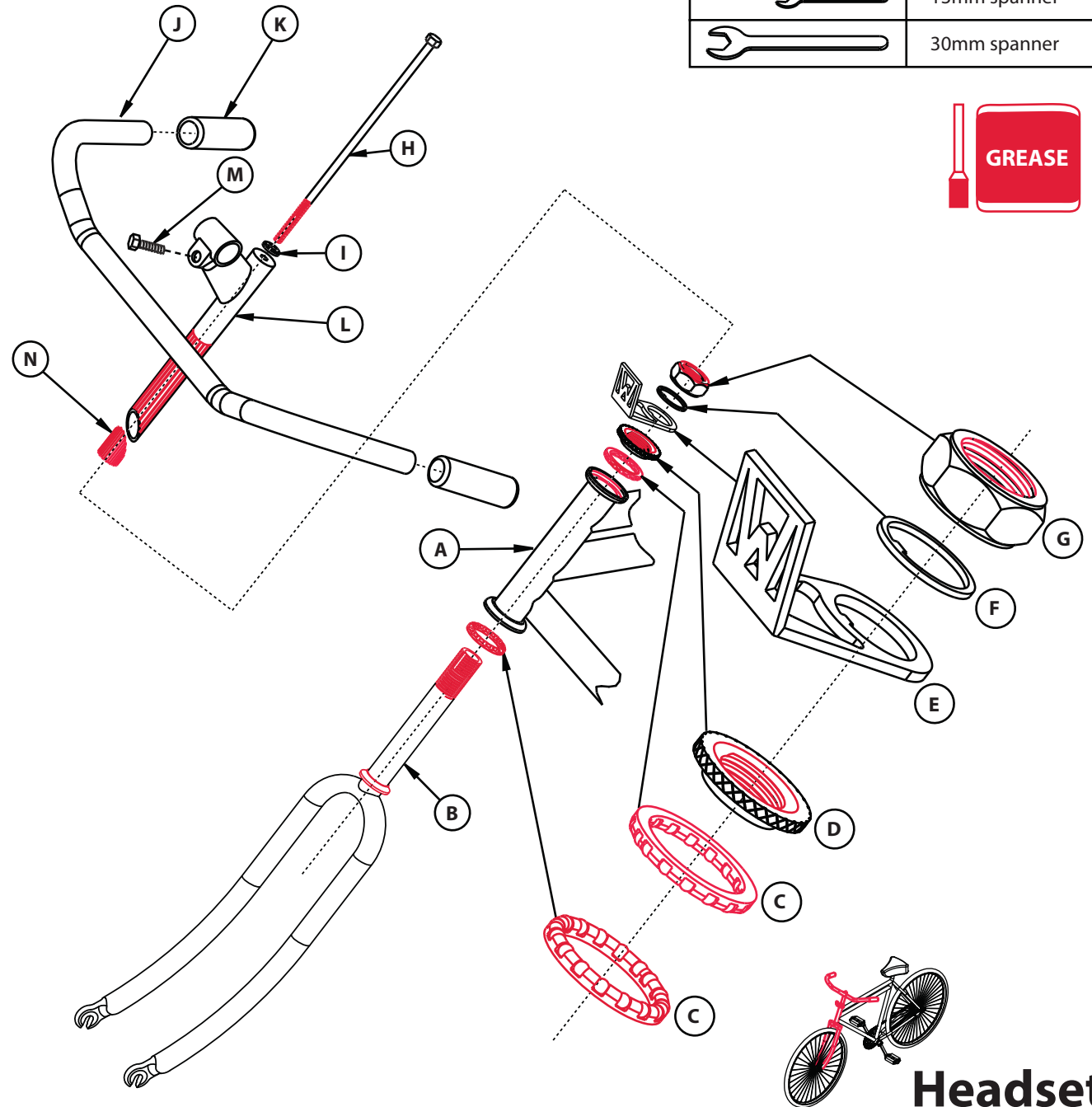
A		Frame
B		BB Spindle
C		BB Bearings (2)
D		Adjustable Cup
E		Lockring
F		Fixed Cup
G		Left Crank Arm

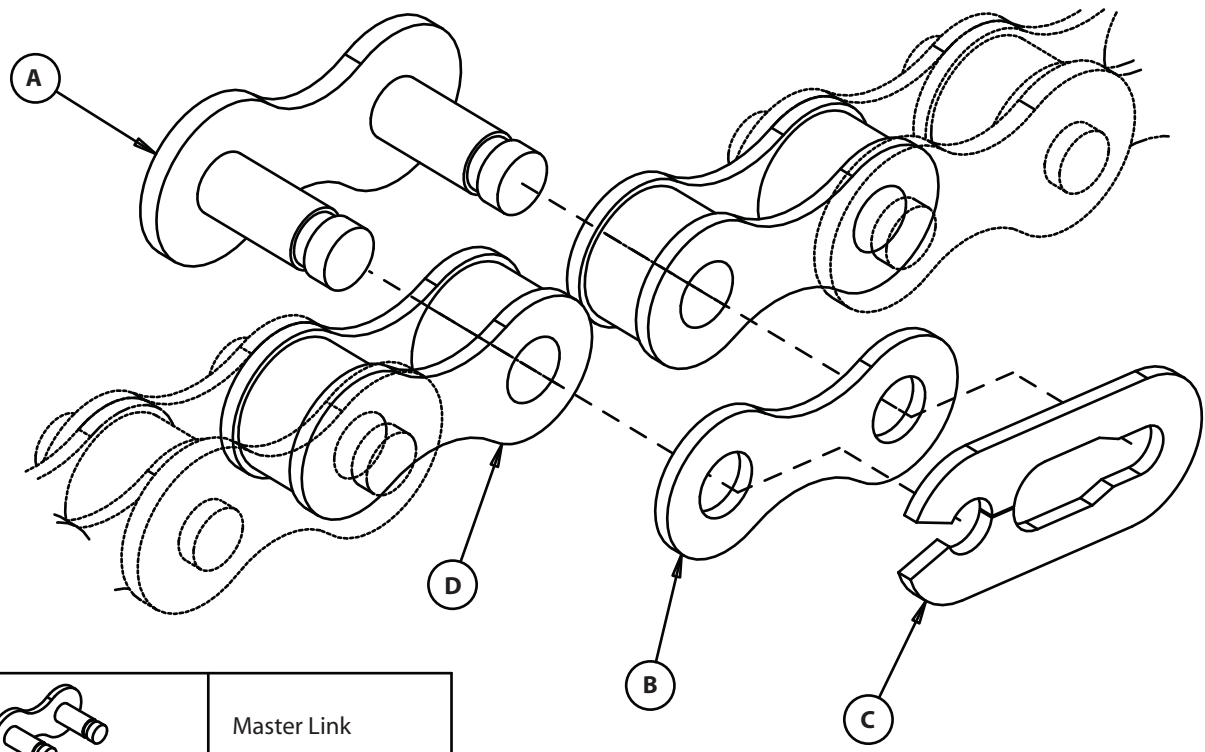
H		Right Crank Arm and Chainring
I		Cotter Pins (2)
J		Cotter Pin Washers (2)
K		Cotter Pin Nuts (2)
L		Left Pedal
M		Right Pedal







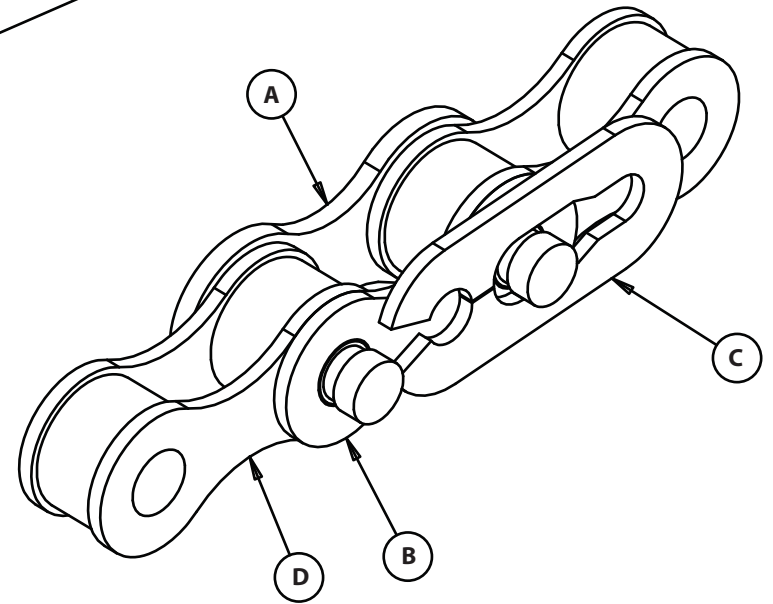
Bottom Bracket

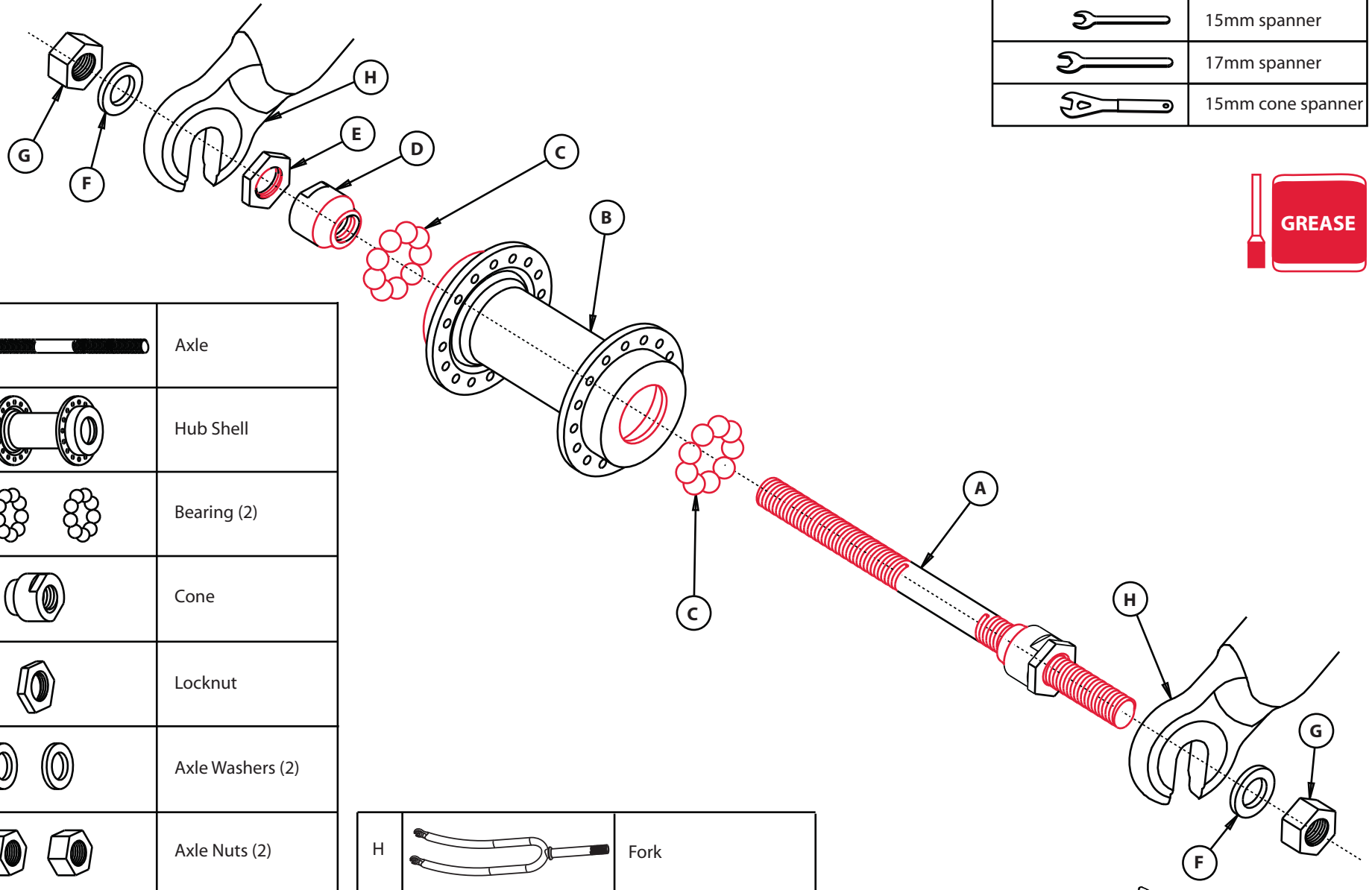
A		Frame
B		Fork
C		Headset Bearing (2)
D		Upper Headset Race
E		Lamp Bracket
F		Headset Spacer
G		Lock Nut
H		Expander Bolt
I		Washer
J		Handlebars
K		Handlebar Grips (2)
L		Stem
M		Stem Bolt
N		Expander Wedge

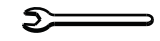
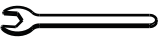





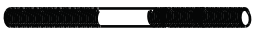
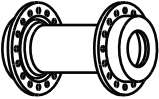
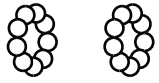



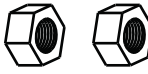
A		Master Link
B		Master Link Side Plate
C		Retaining Clip
D		Chain

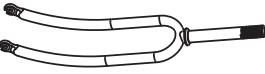


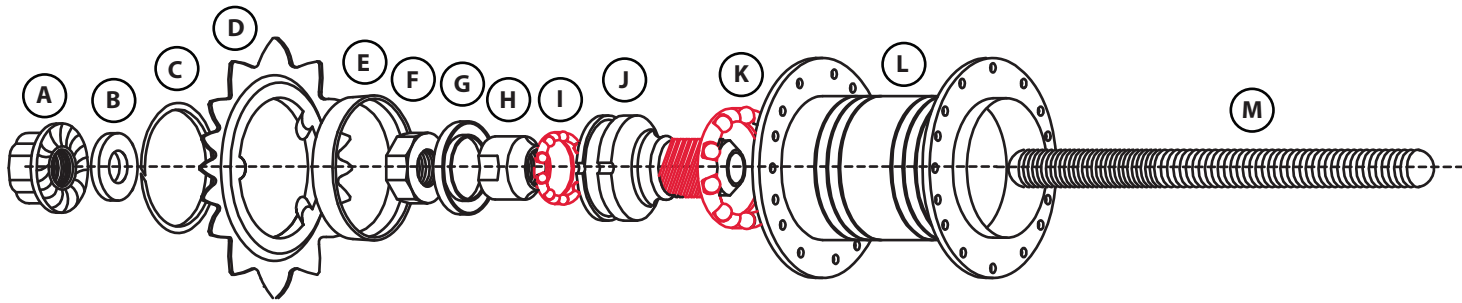


	15mm spanner
	17mm spanner
	15mm cone spanner



A		Axle
B		Hub Shell
C		Bearing (2)
D		Cone
E		Locknut
F		Axle Washers (2)
G		Axle Nuts (2)

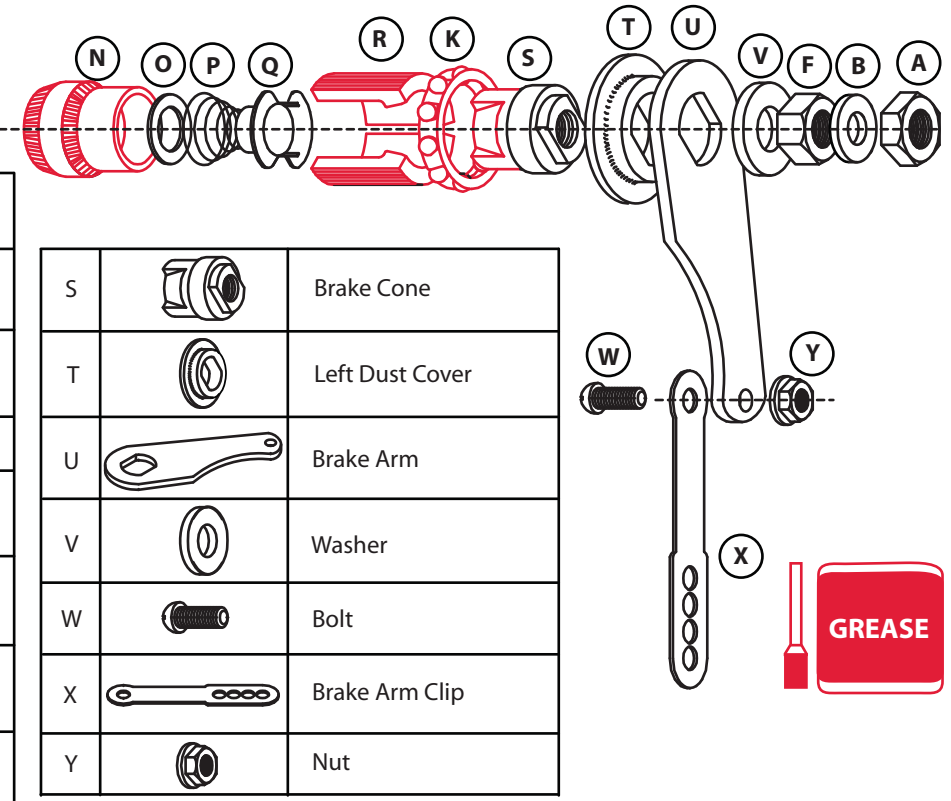
H		Fork
---	--	------



	10mm Spanner
	15mm Spanner
	17mm Spanner
	Screwdriver
	15mm cone spanner

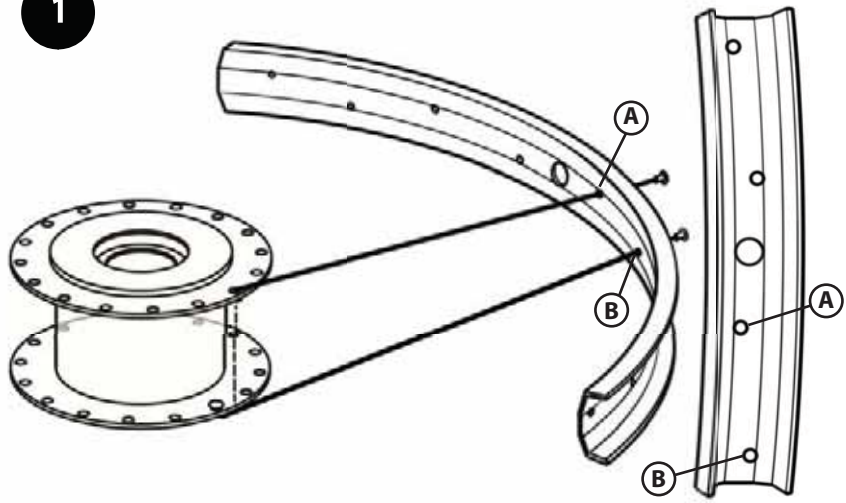
A		Axle Nut (2)
B		Axle Washers (2)
C		Snap Ring
D		Cog
E		Right Dust Cover
F		Lock Nuts (2)
G		Bearing Shield
H		Cone
I		Small Bearing

J		Hub Driver
K		Large Bearings (2)
L		Hub Shell
M		Axle
N		Clutch Cone
O		Clutch Washer
P		Clutch Spring
Q		Spring Holder
R		Brake Shoes

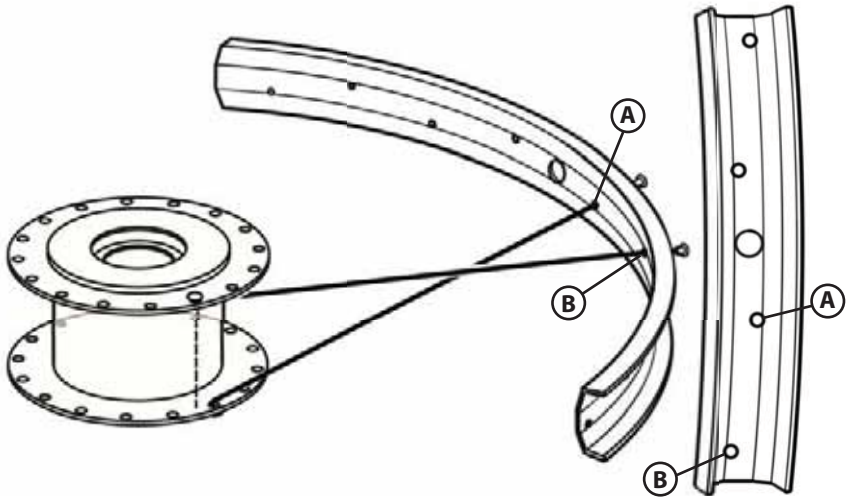


S		Brake Cone
T		Left Dust Cover
U		Brake Arm
V		Washer
W		Bolt
X		Brake Arm Clip
Y		Nut

1

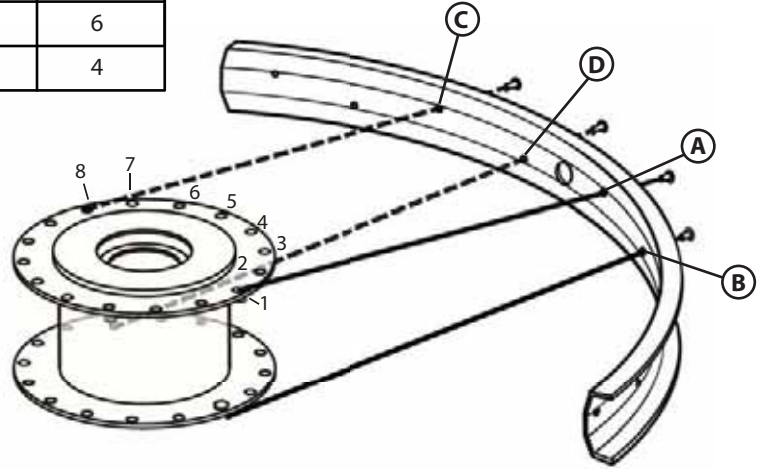


-or-

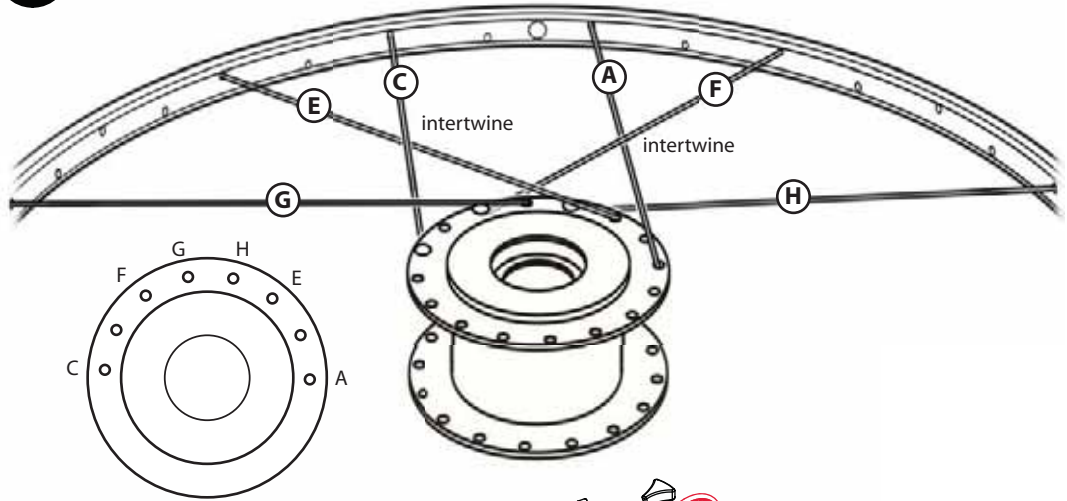


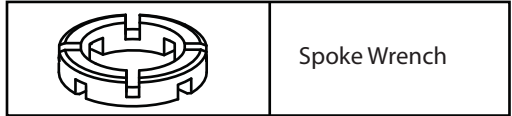
2

# of crossings	Hub holes
4x	10
3x	8
2x	6
1x	4

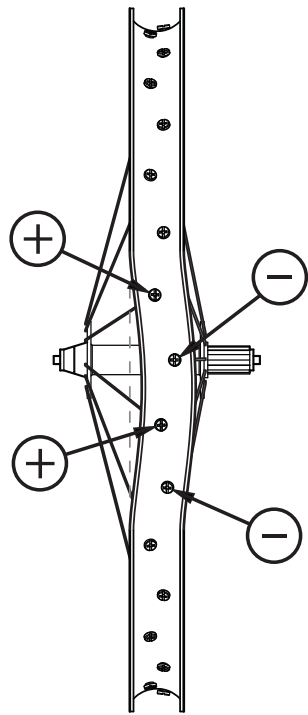


3

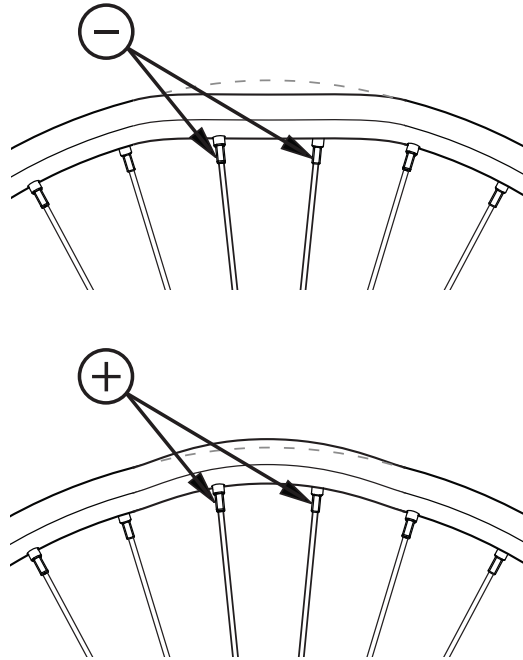




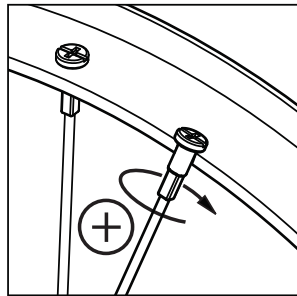
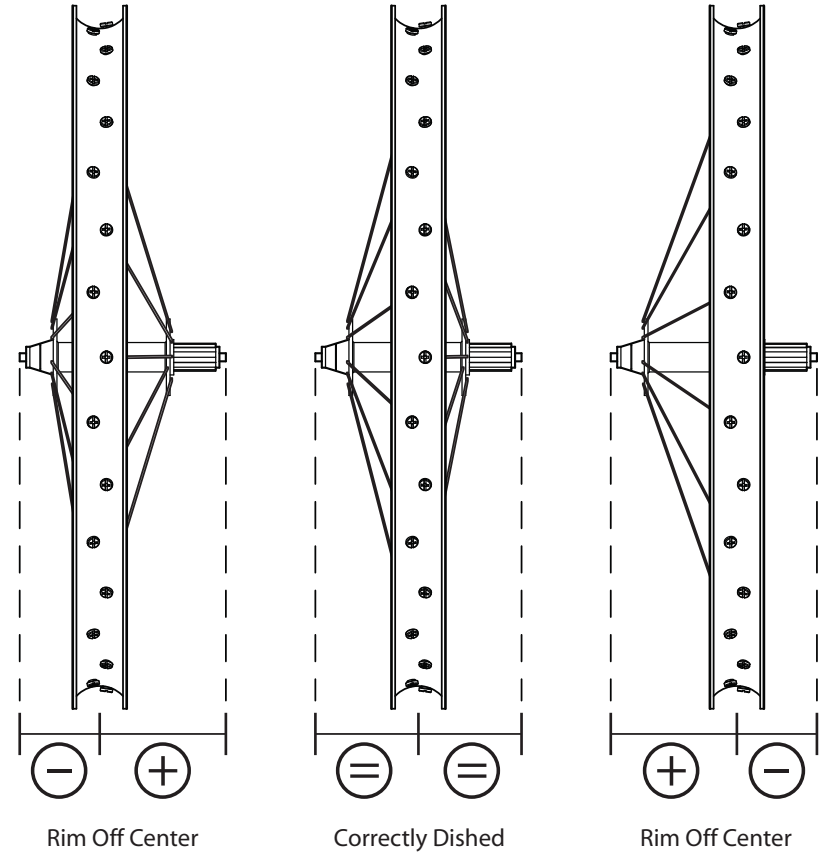
Truing



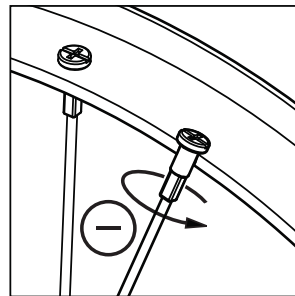
Rounding



Dishing



Tighten



Loosen





WORLD BICYCLE RELIEF™

World Bicycle Relief
1333 N. Kingsbury, 4th Fl.
Chicago, IL 60642
tel: +1.312.664.3836
www.worldbicyclerelief.org