

# Victory XL-4

## Owner's Manual

**ATTENTION:**  
Please read the content  
of your owner's manual  
before operating your  
scooter.



*The Ultimate In Style & Performance<sup>®</sup>*

**Pride**  
Mobility Products Corp.

*Exeter, PA  
St. Catharines, ON*

*1-800-800-8586*

*[www.pridemobility.com](http://www.pridemobility.com)*

# SAFETY GUIDELINES

Please read and follow all instructions in this owner's manual before attempting to operate your scooter for the first time. If there is anything in this manual you do not understand, or if you require additional assistance for setup, contact your authorized Pride provider.

Using your Pride product safely depends upon your diligence in following the warnings, cautions, and instructions in this owner's manual. Using your Pride product safely also depends upon your own good judgement and/or common sense, as well as that of your provider, caregiver, and/or healthcare professional. Pride is not responsible for injuries and/or damage resulting from any person's failure to follow the warnings, cautions, and instructions in this owner's manual. Pride is not responsible for injuries and/or damage resulting from any person's failure to exercise good judgement and/or common sense.

The symbols below are used throughout this owner's manual to identify warnings and cautions. It is very important for you to read and understand them completely.



**WARNING! Failure to heed the warnings in this owner's manual may result in personal injury.**



**CAUTION! Failure to heed the cautions in this owner's manual may result in damage to your scooter.**

# CONTENTS

I.	INTRODUCTION .....	4
II.	SAFETY .....	6
III.	EMI/RFI .....	15
IV.	SPECIFICATIONS .....	17
V.	YOUR VICTORY XL-4 .....	19
VI.	BATTERIES AND CHARGING .....	25
VII.	OPERATION .....	30
VIII.	COMFORT ADJUSTMENTS .....	32
IX.	DISASSEMBLY AND ASSEMBLY .....	36
X.	TROUBLESHOOTING .....	38
XI.	CARE AND MAINTENANCE .....	39
XII.	OPTIONAL ACCESSORIES .....	41
XIII.	WARRANTY .....	42

# I. INTRODUCTION

Welcome to Pride Mobility Products Corporation (Pride). Congratulations on the purchase of your new Pride Scooter. Your scooter design combines the most advanced state-of-the-art components with modern, attractive styling. We are certain that the design features and trouble-free operation will add convenience to your daily living and ensure complete satisfaction.

At Pride, your safety is important to us. Please read and follow all of the instructions in this manual before you attempt to operate your scooter for the first time. These instructions were produced for your benefit. Your understanding of these instructions is essential for the safe operation of your new Pride Scooter.

Pride is not liable for damage to property or personal injury arising out of the unsafe use of a Pride Scooter. Pride is also not liable for any property damage or personal injury arising out of the failure of any person and/or user to follow the instructions and recommendations set forth in this manual or any other instructions or recommendations contained in other scooter related literature issued by Pride or contained on the Pride Scooter itself.

This owner's manual is compiled from the latest specifications and product information available at the time of publication. We reserve the right to make changes as they become necessary. Any changes to our products may cause slight variations between the illustrations and explanations in this manual and the product you have purchased.

If you experience any problems with your scooter that you are not able to solve, or if you do not feel capable of safely following any of the instructions and/or recommendations contained in this manual, please contact your authorized Pride Provider for assistance.

Once you understand how to operate and take care of your scooter, we are certain that it will give you years of trouble-free service and enjoyment.

## **Information Exchange**

We want to hear your questions, comments, and suggestions regarding this manual. We would also like to hear about the safety and reliability of your new Pride Scooter, and the service you received from your authorized Pride Provider.

Please notify us of any change of address so we can keep you apprised of important information regarding safety, new products, and new options that can increase your ability to use and enjoy your Pride Scooter. Please feel free to write us at the address below:

Pride Mobility Products Corporation  
Attn: Customer Care Department  
182 Susquehanna Avenue  
Exeter, PA 18643-2694

customercare@pridemobility.com  
1-800-424-8205

# I. INTRODUCTION

## **Pride Owners Club**

As a Pride product owner, you are invited to register your product's warranty and enroll in the Pride Owners Club. You may do so by filling out and returning your enclosed registration card or by visiting Pride's web site at [www.pridemobility.com](http://www.pridemobility.com). As a registered member, each time you visit our site you will have access to the most interactive and honest educational venue available today for people with mobility needs, their families, and friends.

From our home page, click on the button that reads "Owners Club" to enter a page dedicated to current and potential Pride product owners. You will gain access to interviews, stories, recreation ideas, daily living tips, product and funding information, and interactive message boards. Message boards invite you to speak with other Pride customers as well as Pride representatives who are available to assist you with any questions or concerns you may have.

## **My Authorized Pride Provider Is:**

Name: \_\_\_\_\_

Address: \_\_\_\_\_

Phone Number: \_\_\_\_\_

## **Quick Reference Information:**

Scooter Model: \_\_\_\_\_

Serial Number: \_\_\_\_\_

Purchase Date: \_\_\_\_\_

*NOTE: If you ever lose or misplace your product registration card or this owner's manual, contact us and we will be glad to send you a new one immediately.*

## II. SAFETY

### GENERAL



**WARNING! Do not operate your new scooter for the first time without completely reading and understanding this owner's manual.**

Your scooter is a state-of-the-art life-enhancement device designed to increase mobility. Pride provides an extensive variety of products to best fit the individual needs of the scooter user. Please be aware that the final selection and purchasing decision regarding the type of scooter to be used is the responsibility of the scooter user who is capable of making such a decision and his/her healthcare professional (i.e., medical doctor, physical therapist, etc.).

The contents of this manual are based on the expectation that a mobility device expert has properly fitted the scooter to the user and has assisted the prescribing healthcare professional and/or the authorized Pride Provider in the instruction process for the use of the product.

There are certain situations, including some medical conditions, where the scooter user will need to practice operating the scooter in the presence of a trained attendant. A trained attendant can be defined as a family member or care professional specially trained in assisting a scooter user in various daily living activities.

As you begin using your scooter during daily activities, you will probably encounter situations in which you will need some practice. Simply take your time and you will soon be in full and confident control as you maneuver through doorways, on and off elevators, up and down ramps, and over moderate terrain.

### MODIFICATIONS

Your scooter has been designed and engineered to provide maximum mobility and utility. A wide range of accessories is available from your authorized Pride Provider to further customize your scooter to better suit your needs and/or preferences. However, under no circumstances should you modify, add, remove, or disable any feature, part, or function of your scooter.



**WARNING! Do not modify your scooter in any way not authorized by Pride. Unauthorized modifications may result in personal injury and/or damage to your scooter.**

### REMOVABLE PARTS



**WARNING! Do not attempt to lift or move a scooter by any of its removable parts. Personal injury and damage to the scooter may result.**

### ELECTROMAGNETIC FIELDS

Your scooter's road performance features may be influenced by electromagnetic fields caused by cellular telephones or other radiating devices, such as hand-held radios, radio and television stations, wireless computer links, microwave sources, and paging transmitters. Learn more about this topic in III. "EMI-RFI."

## II. SAFETY

### PRE-RIDE SAFETY CHECK

Get to know the feel of your scooter and its capabilities. It is recommended that you perform a safety check before each use to make sure your scooter operates smoothly and safely. For details on how to perform these necessary inspections, see XI. "Care and Maintenance."

Perform the following inspections prior to using your scooter:

- Check for proper tire inflation. Maintain **30-35 psi** in each tire (if equipped with pneumatic tires).
- Check all electrical connections. Make sure they are tight and not corroded.
- Check the front-to-rear harness. Make sure it is secured properly.
- Check the brakes.
- Check battery charge.

### TIRE INFLATION

If your scooter is equipped with pneumatic tires, you should check or have the air pressure checked at least once a week. Proper inflation pressures will prolong the life of your tires and help ensure the smooth operation of your scooter.



**WARNING! It is critically important that 30-35 psi tire pressure be maintained in pneumatic tires at all times. Do not underinflate or overinflate your tires. Low pressure may result in loss of control, and overinflated tires may burst. Failure to maintain 30-35 psi tire pressure in pneumatic tires at all times may result in tire and/or wheel failure, causing serious personal injury and/or damage to your scooter.**

**WARNING! Inflate your scooter tires from a regulated air source with an available pressure gauge. Inflating your tires from an unregulated air source could overinflate them, resulting in a burst tire and/or personal injury.**

### WEIGHT LIMITATIONS

Your scooter is rated for a maximum weight capacity. Please refer to the specifications table for this limit.



**WARNING! Exceeding the weight limit voids your warranty and may result in personal injury and damage to your scooter. Pride will not be held responsible for injuries and/or property damage resulting from failure to observe weight limitations.**

**WARNING! Do not carry passengers on your scooter. Carrying passengers on your scooter may result in personal injury and/or property damage.**

### INCLINE INFORMATION

More and more buildings have ramps with specified percents of inclination, designed for easy and safe access. Some ramps may have turning switchbacks (180-degree turns) that require you to have good cornering skills on your scooter.

- Proceed with extreme caution as you approach the downgrade of a ramp or other incline.
- Take wide swings with your scooter's front wheels around any tight corners. If you do that, the scooter's rear wheels will follow a wide arc, not cut the corner short, and not bump into or get hung up on any railing corners.
- When driving down a ramp, keep the scooter's speed adjustment set to the slowest speed setting to ensure a safely controlled descent. See V. "Your Victory XL-4."
- Avoid sudden stops and starts.

## II. SAFETY

When climbing an incline, try to keep your scooter moving. If you must stop, start up again slowly, and then accelerate cautiously. When driving down an incline, do so by setting the speed adjustment to the slowest setting and driving in the forward direction only. If your scooter starts to move down the incline faster than you anticipated or desired, allow it to come to a complete stop by releasing the throttle control lever. Then push the throttle control lever forward slightly to ensure a safely controlled descent.

**WARNING! When climbing an incline, do not zigzag or drive at an angle up the face of the incline. Drive your scooter straight up the incline. This greatly reduces the possibility of a tip or a fall. Always exercise extreme caution when negotiating an incline.**

**WARNING! Do not drive your scooter across the side of a hill or diagonally up or down a hill; do not stop, if possible, while driving up or down an incline.**



**WARNING! You should not travel up or down a potentially hazardous incline (i.e., areas covered with snow, ice, cut grass, or wet leaves).**

**WARNING! When on any sort of an incline or decline, never place the scooter in freewheel mode while seated on it or standing next to it.**

**WARNING! Even though your scooter is capable of climbing slopes greater than those illustrated in figure 1, do not, under any circumstances, exceed the incline guidelines or any other specifications presented in this manual. Doing so could cause instability in your scooter, resulting in personal injury and/or damage to your scooter.**

Handicap public access ramps are not subject to government regulation in all countries, and therefore do not necessarily share the same standard degree of slope. Other inclines may be natural or, if man-made, not designed specifically for scooters. Figure 1 illustrates your scooter's stability and its ability to climb grades under various weight loads and under controlled testing conditions.

These tests were conducted with the scooter's seat in the highest position and adjusted rearward on the seat base to its farthest rearward position. Use this information as a guideline. Your scooter's ability to travel up inclines is affected by your weight, your scooter's speed, your angle of approach to the incline, and your scooter setup.



Figure 1. Maximum Recommended Incline Angle



**WARNING! Any attempt to climb or descend a slope steeper than that shown in figure 1 may put your scooter in an unstable position and cause it to tip, resulting in personal injury.**



**WARNING! Never carry an oxygen tank weighing more than 15 lbs. Never fill the rear basket with contents exceeding 15 lbs.**



## II. SAFETY

When you approach an incline, it is best to lean forward. See figures 2 and 2A. This shifts the center of gravity of you and your scooter toward the front of the scooter for improved stability.

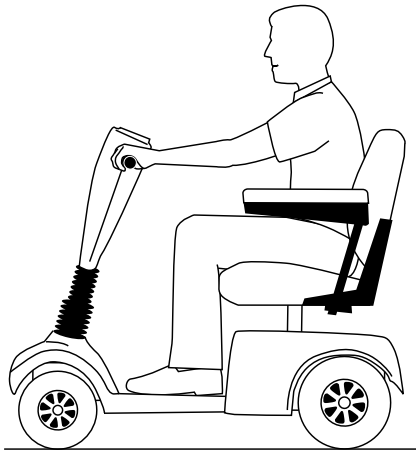


Figure 2. Normal Driving Position

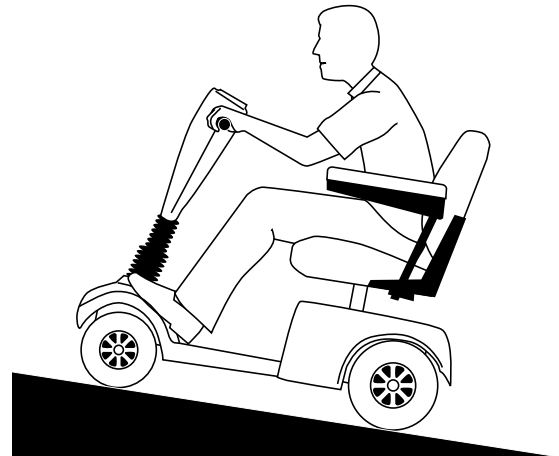


Figure 2A. Increased Stability Driving Position

### CORNERING INFORMATION

Excessively high cornering speeds can create the possibility of tipping. Factors which affect the possibility of tipping include, but are not limited to, cornering speed, steering angle (how sharply you are turning), uneven road surfaces, inclined road surfaces, riding from an area of low traction to an area of high traction (such as passing from a grassy area to a paved area – especially at high speed while turning), and abrupt directional changes. High cornering speeds are not recommended. If you feel that you may tip over in a corner, reduce your speed and steering angle (i.e., lessen the sharpness of the turn) to prevent your scooter from tipping.



**WARNING! When cornering sharply, reduce your speed. When using your scooter at higher speeds, do not corner sharply. This greatly reduces the possibility of a tip or fall. To avoid personal injury or property damage, always exercise common sense when cornering.**

### BRAKING INFORMATION

Your scooter is equipped with these powerful brake systems:

1. Regenerative: Uses electricity to rapidly slow the vehicle when the throttle control lever returns to the center/stop position.
2. Disc Park Brake: Activates mechanically after regenerative braking slows the vehicle to near stop, or when power is removed from the system for any reason.
3. (Optional) Hand Brake: Gives you additional stopping power when you squeeze it. See V. “Victory XL-4.”

## II. SAFETY

### OUTDOOR DRIVING SURFACES

Your scooter is designed to provide optimum stability under normal driving conditions—dry, level surfaces composed of concrete, blacktop, or asphalt. However, Pride recognizes that there will be times when you will encounter other surface types. For this reason, your scooter is designed to perform admirably on packed soil, grass, and gravel. Feel free to use your scooter safely on lawns and in park areas.

- Reduce your scooter's speed when driving on uneven terrain and/or soft surfaces.
- Avoid tall grass that can become tangled in the running gear.
- Avoid loosely packed gravel and sand.
- If you feel unsure about a driving surface, avoid that surface.

### STREETS AND ROADWAYS



**WARNING! You should not operate your scooter on public streets and roadways. Be aware that it may be difficult for traffic to see you when you are seated on your scooter. Obey all local pedestrian traffic rules. Wait until your path is clear of traffic, and then proceed with extreme caution.**

*NOTE: Safety accessories like fluorescent flags are available to order from your authorized Pride Provider.*

### STATIONARY OBSTACLES (STEPS, CURBS, ETC.)

**WARNING! Do not drive near raised surfaces, unprotected ledges, and/or drop-offs (curbs, porches, stairs, etc.).**

**WARNING! Do not attempt to have your scooter climb or descend an obstacle that is inordinately high. Serious personal injury and/or damage may result.**



**WARNING! Do not attempt to have your scooter proceed backward down any step, curb, or other obstacle. This may cause the scooter to tip and cause personal injury.**

**WARNING! Be sure your scooter is traveling perpendicular to any curb you may be required to ascend or descend. See figures 3 and 3A.**

**WARNING! Do not attempt to negotiate a curb that has a height greater than 2 in.**

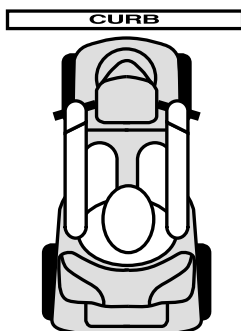


Figure 3. Correct Curb Approach

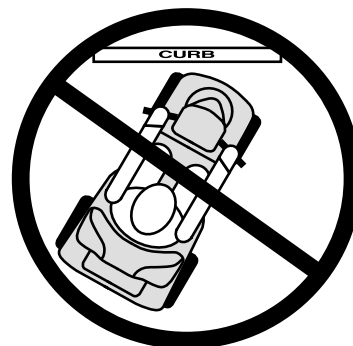


Figure 3A. Incorrect Curb Approach

## II. SAFETY

### INCLEMENT WEATHER PRECAUTIONS



**WARNING! Pride recommends that you do not operate your scooter in icy or slippery conditions or on salted surfaces (i.e., walks or roads). Such use may result in an accident, personal injury, or adversely affect the performance and safety of your scooter.**

**WARNING! Do not operate or store your scooter where it may be exposed to inclement weather conditions such as rain, snow, mist, and below freezing temperatures (such as storage on an outside car/van lift). Attempting to operate the scooter in such conditions can damage the electronics and potentially result in loss of control.**

### FREEWHEEL MODE

Your scooter is equipped with a manual freewheel lever that, when pulled up, allows the scooter to be pushed. For more information about how to place your scooter into and out of freewheel mode, see V. “Your Victory XL-4.”



**WARNING! When your scooter is in freewheel mode, the braking system is disengaged.**

- **Disengage the drive motors only on a level surface.**
- **Ensure the key is removed from the key switch.**
- **Stand behind the scooter to engage or disengage freewheel mode. Never sit on a scooter to do this.**
- **After you have finished pushing your scooter, always return it to the drive mode to lock the brakes.**

**Failure to heed the above could result in personal injury and/or damage to your scooter.**

An added feature built into the Victory XL-4 is “**push-too-fast**” protection which safeguards the scooter against gaining excessive speed while in freewheel mode.

“Push-too-fast” operates differently depending on which of two conditions exists:

- If the key is switched “off” while in freewheel mode, the scooter’s controller activates regenerative braking when the scooter is pushed faster than a maximum threshold which has been preprogrammed. In this case, the controller is acting as a speed governor.
- If the key is switched “on” while in freewheel mode, you will encounter considerable resistance at any speed. This prevents the scooter from gaining unwanted momentum should the manual freewheel lever inadvertently be released while driving the scooter.

## II. SAFETY

### STAIRS AND ESCALATORS

Scooters are not designed to travel up or down stairs or escalators. Always use an elevator.



**WARNING! Do not use your scooter to negotiate steps or escalators. You may cause injury to yourself and to others and/or damage your scooter.**

### DOORS

- Determine if the door opens toward or away from you.
- Use your hand to turn the knob or push the handle or push-bar.
- Drive your scooter gently and slowly forward to push the door open. Or drive your scooter gently and slowly rearwards to pull the door open.

### ELEVATORS

Modern elevators have a door edge safety mechanism that, when pushed, reopens the door(s).

- If you are in the doorway of a elevator when the door(s) begin to close, push on the rubber door edge or allow the rubber door edge to contact the scooter and the door will reopen.
- Use care that pocketbooks, packages, or scooter accessories do not become caught in elevator doors.

### LIFT/ELEVATION PRODUCTS

If you will be traveling with your scooter, you may find it necessary to use a lift/elevation product to aid in transportation. Pride recommends that you closely review the instructions, specifications, and safety information set forth by the manufacturer of the lift/elevation product before using that product.



**WARNING! Never sit on your scooter when it is being used in connection with any type of lift/elevation product. Your scooter was not designed with such use in mind, and any damage or injury incurred from such use is not the responsibility of Pride.**

### BATTERIES

In addition to following the warnings below, be sure to comply with all other battery handling information.



**WARNING! Scooter batteries are heavy (refer to specifications table). Lifting weight beyond your capacity could result in personal injury. If necessary, get someone physically able to lift the scooter batteries for you.**

**WARNING! Battery posts, terminals, and related accessories contain lead and lead compounds. Wash hands after handling.**

**WARNING! Always protect the batteries from freezing and never charge a frozen battery. Charging a frozen battery may result in personal injury and/or damage to the battery.**

**WARNING! RED (+) cables must be connected to positive (+) battery terminals/posts. BLACK (-) cables must be connected to negative (-) battery terminals/posts. Failure to connect your battery harnesses in the proper manner may result in personal injury and/or damage to your scooter. REPLACE cables immediately if damaged.**

### BATTERY DISPOSAL AND RECYCLING

If you encounter a damaged or cracked battery, immediately enclose it in a plastic bag and call your authorized Pride Provider for instructions on disposal. Your authorized Pride Provider will also have the necessary information on battery recycling, which is our recommended course of action.

## II. SAFETY

### MOTOR VEHICLE TRANSPORT

Currently, there are no standards approved for tie-down systems in a moving vehicle of any type to transport a person while seated in a scooter.

Although your scooter may be equipped with a positioning belt, this belt is not designed to provide proper restraint during motor vehicle transport. Anyone traveling in a motor vehicle should be properly secured in the motor vehicle seat with safety belts fastened securely.



**WARNING! Do not sit on your scooter while it is in a moving vehicle. Personal injury and/or property damage may result.**

**WARNING! Always be sure your scooter and its batteries are properly secured when it is being transported. Failure to do so may result in personal injury and/or damage to your scooter.**

### PREVENTING UNINTENDED MOVEMENT



**WARNING! If you anticipate being seated in a stationary position for an extended period of time, turn off the power. This will prevent unexpected motion from inadvertent throttle control lever contact. Failure to do so may result in personal injury.**

### GETTING ONTO AND OFF OF YOUR SCOOTER

Getting onto and off of your scooter requires a good sense of balance. Please observe the following safety tips when getting onto and off of your scooter:

- Ensure that your scooter is not in freewheel mode. See V. “Your Victory XL-4.”
- Make certain that the seat is locked into place and the key is removed from the key switch.
- The seat armrests can be flipped up to make getting onto and off of the scooter easier.



**WARNING! Position yourself as far back as possible in the scooter seat to prevent the scooter from tipping and causing injury.**

**WARNING! Avoid using your armrests for weight bearing purposes. Such use may cause the scooter to tip and cause personal injury.**

**WARNING! Avoid putting all of your weight on the floorboard. Such use may cause the scooter to tip and cause personal injury.**

### REACHING AND BENDING

Avoid reaching or bending while driving your scooter. When reaching, bending, or leaning while seated on your scooter, it is important to maintain a stable center of gravity and keep the scooter from tipping. Pride recommends that the scooter user determine his/her personal limitations and practice bending and reaching in the presence of a qualified healthcare professional.



**WARNING! Do not bend, lean, or reach for objects if you have to pick them up from the floor by reaching down between your knees. Movements such as these may change your center of gravity and the weight distribution of the scooter and cause your scooter to tip, possibly resulting in personal injury. Keep your hands away from the tires when driving.**

## II. SAFETY

### POSITIONING BELTS

Your authorized Pride Provider, therapist(s), and other healthcare professionals are responsible for determining your requirement for a positioning belt in order to operate your scooter safely.



**WARNING! If you require a positioning belt to safely operate your scooter, make sure it is fastened securely. Serious personal injury may result if you fall from the scooter.**

### PRESCRIPTION DRUGS/PHYSICAL LIMITATIONS

The scooter user must exercise care and common sense when operating his/her scooter. This includes awareness of safety issues when taking prescribed or over-the-counter drugs or when the user has specific physical limitations.



**WARNING! Consult your physician if you are taking prescribed or over-the-counter medication or if you have certain physical limitations. Some medications and limitations may impair your ability to operate your scooter in a safe manner.**

### ALCOHOL

The scooter user must exercise care and common sense when operating his/her scooter. This includes awareness of safety issues while under the influence of alcohol.



**WARNING! Do not operate your scooter while you are under the influence of alcohol, as this may impair your ability to drive safely.**

# III. EMI/RFI

## EMI/RFI WARNINGS

Laboratory tests performed by the Food and Drug Administration (FDA) have shown that radio waves can cause unintended motion of electric mobility vehicles. Radio waves are a form of electromagnetic energy (EM). When electromagnetic energy adversely affects the operation of an electrical device, that adverse effect is called *Electromagnetic Interference (EMI)* or *Radio Frequency Interference (RFI)*.

## EMI/RFI FREQUENTLY ASKED QUESTIONS (FAQS)

The following FAQs summarize what you should know about EMI/RFI. Use this information to minimize the risk that EMI/RFI will adversely affect your mobility vehicle.

### Where do radio waves come from?

Radio waves are emitted from the antennas of cellular phones, mobile two-way radios (such as walkie-talkies and CBs), radio stations, TV stations, amateur radio (HAM) transmitters, wireless computer links, microwave sources, and paging transmitters. Radio waves are a form of electromagnetic energy (EM). EM is more intense closer to transmitting antennas, which are sources of emission. The greater the transmission strength, the greater the concern to electric mobility vehicle users.

### If EMI/RFI affects my mobility vehicle, what kind of motion should I expect?

This is difficult to predict. The answer would depend on a number of factors:

- The strength of the radio waves.
- The construction of your particular mobility vehicle.
- The location of your mobility vehicle (whether it is on the level ground or on an incline).
- Whether or not your mobility vehicle is in motion.

The motion of any electric mobility vehicle affected by EMI/RFI can be erratic. The mobility vehicle may come to a sudden stop or move in an uncontrolled manner. Also, it is possible for EMI/RFI to release the brakes of an electric mobility vehicle. Some intense EMI/RFI can even damage the control system components of an electric mobility vehicle.

### Is there any way to know for certain whether or not radio waves are the cause of any unintended mobility vehicle motion?

Unfortunately, EMI/RFI may be difficult to recognize, because the signals from radio sources are invisible and may be intermittent. However, the FDA recommends that you report all incidents of unintended motion or unintended brake release of your mobility vehicle to its manufacturer and, if possible, determine whether or not there was a radio wave source nearby at the time of the incident.

One precaution you can take against unintended motion of your mobility vehicle is to make certain that you or someone else is not the cause of the unintended motion.

- Turn off your mobility vehicle by removing the key from the key switch when you are getting onto or off of your mobility vehicle.
- Never leave the key in the key switch of an unattended mobility vehicle.
- By following these steps, you greatly reduce the risk of you or anyone else inadvertently bumping the throttle control levers and causing the mobility vehicle to move unintentionally.

### Has anyone been injured by the erratic, unintended motion of an electric mobility vehicle?

The FDA has reports of injuries that resulted from uncontrolled motion of electric mobility vehicles, but it is not clear just how many of those injuries were actually caused by EMI/RFI.

## III. EMI/RFI

### **Are all electric mobility vehicles susceptible to EMI/RFI?**

Each make and model of electric mobility vehicle differs in its ability to resist EMI/RFI. Every mobility vehicle has a particular level of resistance to EMI/RFI. This resistance is measured in volts per meter (V/m). A higher resistance level offers greater protection against EMI/RFI. In other words, an electric mobility vehicle with a high resistance level is less likely to be affected by a strong radio source than is an electric mobility vehicle with a low resistance level.

### **What is the FDA doing about the problem?**

The FDA has written to electric mobility vehicle manufacturers and requested that those manufacturers test their new mobility vehicle models to be certain that they provide a reasonable degree of resistance against EMI/RFI. The FDA has stated that all newly manufactured electric mobility vehicle models should have a resistance level of at least 20 V/m. This level of resistance provides a reasonable degree of protection against the common sources of EMI/RFI.

The FDA has also requested or recommended that:

- Electric mobility vehicle manufacturers clearly label new products with their resistance level or state that the resistance level is not known.
- The labeling or informational material supplied with new electric mobility vehicles must explain what the resistance level means and warn users about the possibility of EMI/RFI and how to avoid it.
- Electric mobility vehicle manufacturers undertake an educational program to inform electric mobility vehicle users and their caregivers about the problems associated with EMI/RFI and about the actions they can take to minimize the risk of EMI/RFI.
- While there is no exact way to tell if your mobility vehicle is totally safe, an immunity level of 20 V/m is generally achievable and useful. This product has been tested and passed at an immunity level of 20 V/m.

### **What can I do to find out if my mobility vehicle is likely to be affected by EMI/RFI?**

If you have had your mobility vehicle for some time and have not experienced any unintended motion, it is not likely that you will have a problem in the future. However, it is always possible that EMI/RFI problems could arise if you are close to a source of radio waves. Therefore, it is very important for you to be alert to this possibility. The mobility vehicle meets or exceeds a resistance level of at least 20 V/m.

### **What can I do to reduce the risk of my mobility vehicle being affected by EMI/RFI?**

Here are some precautions you can take:

- Do not turn on or use hand-held personal communications devices, such as citizens band (CB) radios and cellular phones, while your mobility vehicle is turned on.
- Be aware of nearby radio wave transmitters, such as radio or TV stations and hand-held or mobile two-way radios. Try not to operate your mobility vehicle too close to those transmitters. For example, if you are on an electric mobility vehicle with a resistance level of at least 20 V/m, you should remain at least three feet from a hand-held two-way radio and at least ten feet from a mobile two-way radio.
- Be aware that adding accessories and/or components, or modifying your mobility vehicle in any way, may change its EMI/RFI resistance level and may make it more susceptible to interference from radio wave sources.

### **What should I do if my mobility vehicle moves unexpectedly?**

If unintended motion or unintended brake release occurs, turn off your mobility vehicle (by removing the key) as soon as it is safe to do so.

### **If my mobility vehicle moves unintentionally, where should I report the incident?**

Call Pride Customer Care at 1-800-424-8205 to report the incident.



# IV. SPECIFICATIONS

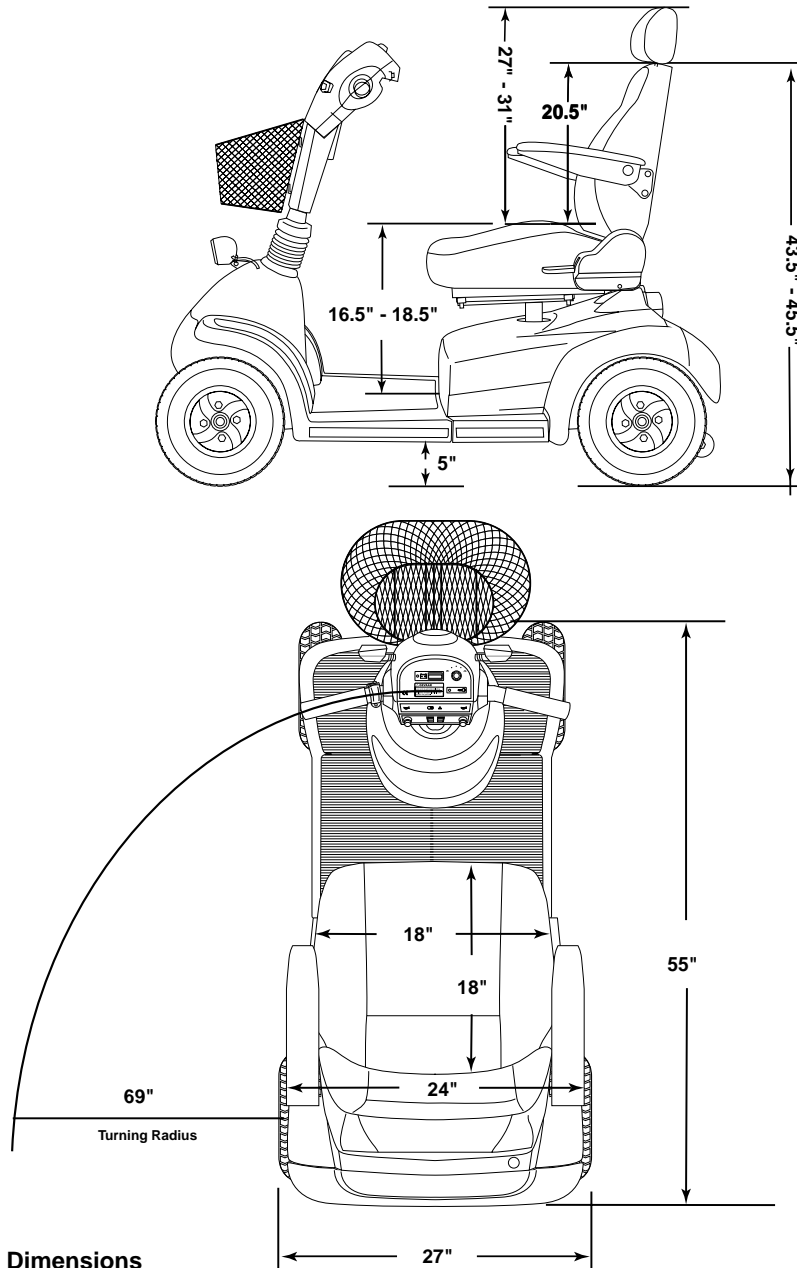


Figure 4. Victory XL-4 Dimensions

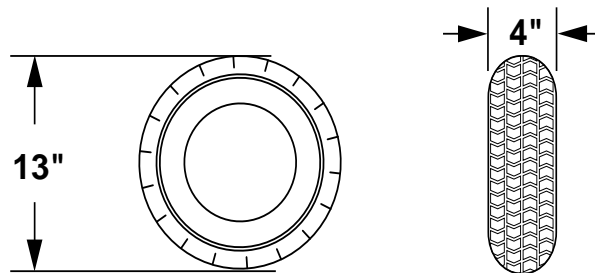


Figure 4A. Victory XL-4 Tire Dimensions

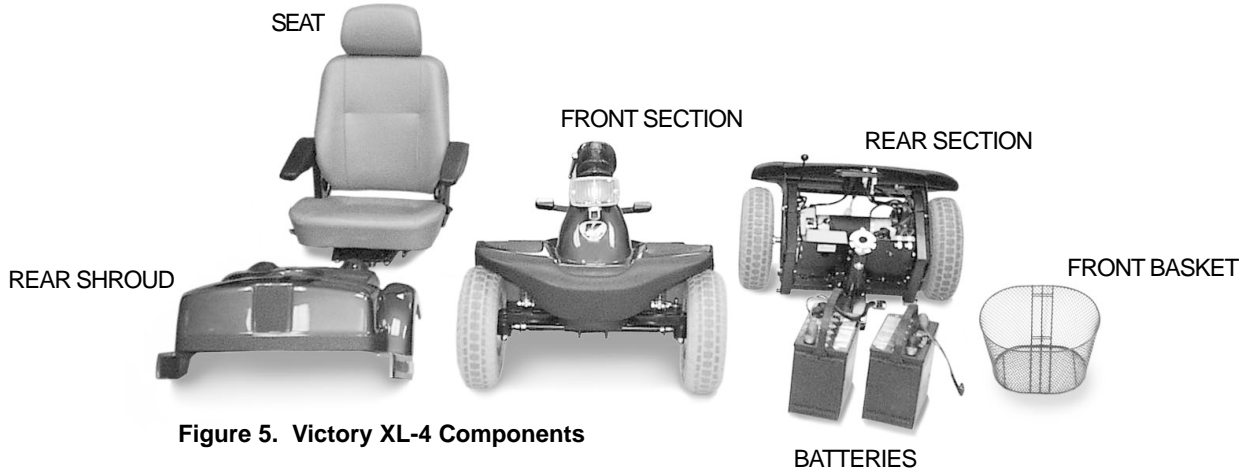
## IV. SPECIFICATIONS

<b>Model Number</b>	SC2700
<b>Available Colors</b>	Candy Apple Red, Viper Blue, Onyx Black
<b>Overall Length</b>	55 in.
<b>Overall Width</b>	27 in.
<b>Total Weight Without Batteries</b>	217 lbs.
<b>Heaviest Piece When Disassembled</b>	Rear section: 87.5 lbs.
<b>Turning Radius</b>	69 in.
<b>Maximum Speed</b>	Variable up to 5.8 mph
<b>Range Per Charge*</b>	Up 30 miles with 55 AH batteries
<b>Ground Clearance</b>	5 in.
<b>Weight Capacity</b>	400 lbs. maximum
<b>Standard Seating</b>	Type: CRS reclining highback, with sliders, height adjustable headrest Dimensions: width 18 in. depth 18 in. usable height 20.5 in. (without headrest) Material: Gray in vinyl or fabric
<b>Drive System</b>	Rear-wheel drive, 24V sealed transaxle
<b>Dual Braking System</b>	Electronic, regenerative, and electromechanical
<b>Wheels</b>	Aluminum alloys Mags
<b>Tires (front)</b>	4 in. x 13 in.
<b>Tires (rear)</b>	4 in. x 13 in.
<b>Battery Requirements</b>	Type: 12V deep-cycle (AGM or Gel-Cell) Size:U-1, 32 AH; NF-22, 55 AH
<b>Battery Charger</b>	Onboard: 3-amp
<b>Accessories and Options</b>	Power elevating seat, rear basket, safety flag, single and dual cane/crutch holder, double crutch holder, oxygen tank holder, walker holder, forearm crutch holder (bracket mount), cup holder, quad cane holder, saddlebag (arm-mount), wishbone crutch holder.

*\*Varies with user weight, terrain type, battery charge, battery condition, and tire condition.*

# V. YOUR VICTORY XL-4

Your scooter is an indoor/outdoor, motorized electric scooter designed to enhance your personal mobility. For easy transportation or storage, you can disassemble your scooter into seven components. See figure 5.

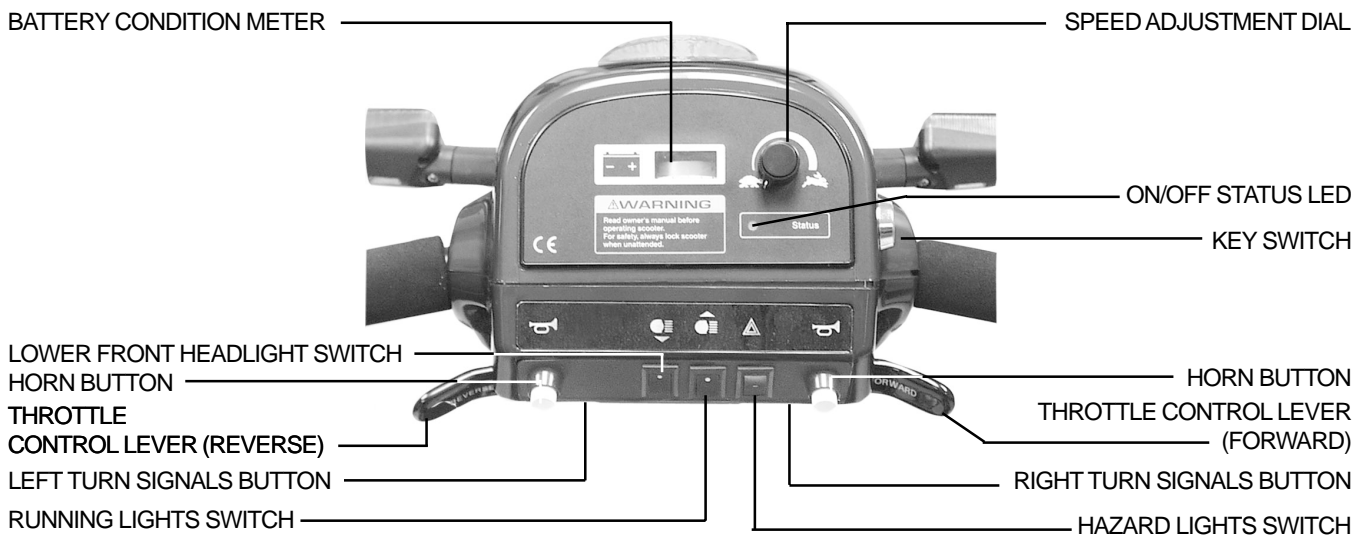


## CONTROL CONSOLE ASSEMBLY

The control console assembly located on the front section houses all of the controls you need to operate your scooter. See figure 6.



**WARNING! Do not expose the control console assembly to moisture. In the event it does become exposed to moisture, do not attempt to operate your scooter until it has dried thoroughly.**



## Battery Condition Meter

When the key is fully inserted and turned clockwise to power up your scooter, this meter indicates the approximate battery voltage strength. For further information on battery charging, see VI. “Batteries and Charging.”

# V. YOUR VICTORY XL-4

## Speed Adjustment Dial

This dial allows you to preselect and limit your maximum speed.

- The image of the tortoise represents the slowest speed.
- The image of the hare represents the fastest speed setting.

## Key Switch

This switch enables you to power up (turn on) and power down (turn off) your scooter.

- Fully insert the key into the key switch and turn the key clockwise to power up your scooter.
- Turn the key counterclockwise and remove it from the key switch to power down your scooter.



**WARNING! If the key is removed from the key switch while your scooter is in motion, the electronic brakes will engage and your scooter will come to an abrupt stop!**

## Throttle Control Lever

This lever allows you to control the forward and reverse speeds up to the maximum you preset with the speed adjustment dial. For instructions on how to operate the throttle control lever, see VII. “Operation.”

## Running Lights Switch

This switch enables you to control the upper (marker) headlight and running (rear red) lights. Pride recommends that you should turn your lights on whenever there is less than optimal lighting necessary for safe use.

- Toggle this switch to turn the running lights on and off.

## Lower Front Headlight Switch

This switch turns the lower front headlight on and off.

- Toggle this switch to turn the headlight on and off.

## Hazard Lights Switch

This switch enables you to control the front and rear hazard (amber) lights.

- Toggle this switch to turn the hazard lights on and off.

## Horn Buttons

These buttons activate a warning horn.

- Ensure the key is in the “on” position and push either button to sound the horn.

## On/Off Status LED

When lit this LED indicates that the scooter is powered up.

## Left And Right Turn Signals Buttons

Use these buttons to turn on the left or right turn signals (amber) lights.

1. Press the left button once to activate the left turn signal.
2. Press the right button once to activate the right turn signal.

The turn signals are timed to shut off automatically.

# V. YOUR VICTORY XL-4

## Handbrake Lever (Optional)

Your scooter may be equipped with a handbrake lever, located on the tiller handle. This lever provides you with additional stopping power. See figure 7.

- Release the throttle control lever and gently squeeze the handbrake lever to come to a stop.

*NOTE: If you do not release the throttle control lever before using the handbrake, your scooter may not come to a complete stop.*

## FUSE BOX

The fuse box is a compartment located at the rear of the tiller. It contains five automotive-type fuses, which help protect the control console assembly and the lighting system from receiving an overload of electrical current. The fuse box contains one 5-amp fuse and four 3-amp fuses. See figure 7A.

- The battery charging system is protected by the 5-amp fuse.
- The turn signals lights and the headlight are protected with three of the 3-amp fuses.
- The fourth 3-amp fuse is a spare.

*NOTE: If a fuse must be replaced (see figures 8 and 8A), use only the specified amp fuse. For more information, see XI. "Care and Maintenance."*



Figure 7. Handbrake Lever

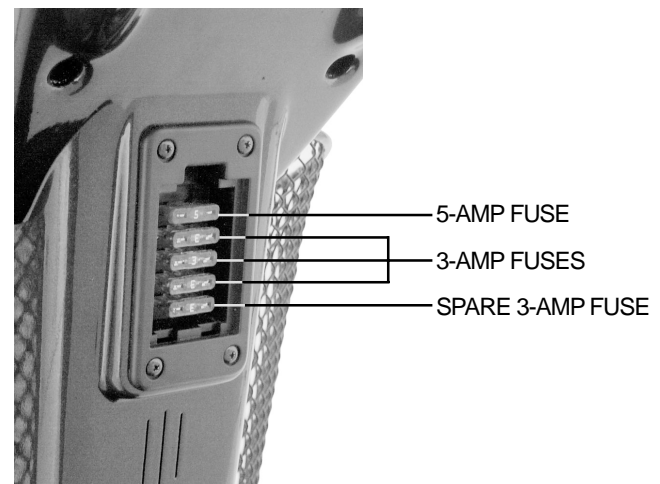


Figure 7A. Fuse Box

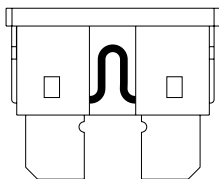


Figure 8. Working Fuse

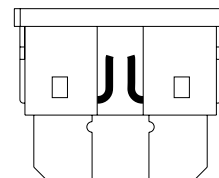


Figure 8A. Blown Fuse (Replace)

# V. YOUR VICTORY XL-4

## REAR SHROUD

The rear shroud is a removable plastic piece that protects the rear section and its subcomponents. In order to remove the rear shroud, you must first remove the seat from your scooter and then lift the rear shroud gently until it disengages from the reusable fasteners holding it in place. Finally, disconnect the rear light harnesses to fully remove the rear shroud.

## REAR SECTION

The batteries, electronic controller module, motor/transaxle assembly, manual freewheel lever, the anti-tip wheels, the main circuit breaker, and the fuses (not shown) are located on the rear section of your scooter. See figure 9.

## Batteries

The batteries store the electrical energy that powers your scooter. For instructions on charging your batteries, see VI. "Batteries and Charging."

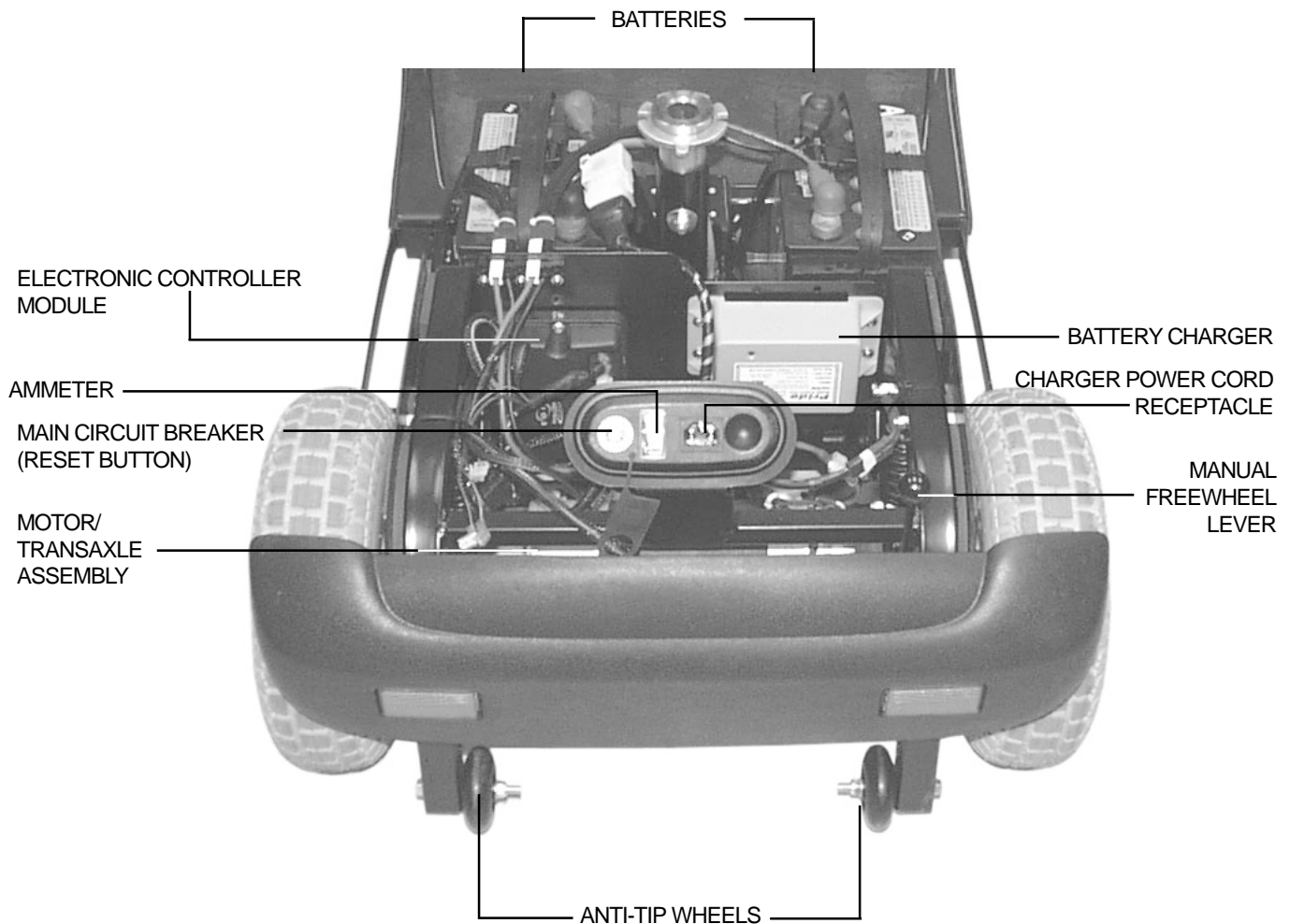


Figure 9. Rear Section

# V. YOUR VICTORY XL-4

## Electronic Controller Module

This module is located behind the batteries and at the forward left corner of the rear section. The electronic controller module receives electrical signals from the console controls and sends power to the motor, the brakes, and the lighting system.

## Motor/Transaxle Assembly

The motor/transaxle assembly is the geared transmission and differential. It is a one-piece, direct drive, fully sealed assembly designed to provide quiet operation with maximum power and long life.

## Manual Freewheel Lever

Whenever you want to push your scooter for short distances, you can put it in freewheel mode.

- The manual freewheel lever is located on the end of the motor/transaxle assembly at the right rear of the scooter.
- Pull up on the manual freewheel lever to disable the drive system and the brake system; you will then be able to push your scooter.
- Push down on the manual freewheel lever to reengage the drive system and the brake system and take your scooter out of freewheel mode.



**WARNING! When your scooter is in freewheel mode, the braking system is disengaged.**

- **Disengage the drive motors only on a level surface.**
- **Ensure the key is removed from the key switch.**
- **Stand behind the scooter to engage or disengage freewheel mode. Never sit on a scooter to do this.**
- **After you have finished pushing your scooter, always return it to the drive mode to lock the brakes.**

**Failure to heed the above could result in personal injury and/or damage to your scooter.**

## Anti-tip Wheels

The anti-tip wheels are an integral and important safety feature designed to help prevent your scooter from tipping rearwards on an incline. They are bolted to the frame at the rearmost part of your scooter. See figure 9.



**WARNING! Do not remove the anti-tip wheels or modify your scooter in any way that is not authorized by Pride.**

# V. YOUR VICTORY XL-4

## **Main Circuit Breaker (Reset Button)**

When the voltage in the batteries becomes low or your scooter is heavily strained because of excessive loads, the main circuit breaker may trip to protect the motor and electronics from damage. When the breaker trips, the entire electrical system shuts down.

- The main circuit breaker reset button is located next to the ammeter. See figure 9.
- The reset button pops out when the breaker trips.
- Allow a minute or so for the electronics to “rest.”
- Push in the reset button to reset the breaker.
- If the breaker trips frequently, you may need to charge the batteries more often or have your authorized Pride Provider perform a load test on the batteries.

## **Fuses (Not Shown)**

There is a fuse located on each side of the rear section, to protect the controller if any of the lights short out. The fuses are part of the rear light assembly located on the underside of the shroud. To replace a fuse, first remove the rear shroud. Lift the rubber cap that opens the fuse box and replace the old fuse with a 2-amp fuse.

*NOTE: Fuses used in the scooter are the same type that are used in automobiles.*



# VI. BATTERIES AND CHARGING

Your scooter requires two long-lasting, 12-volt, deep-cycle batteries that are sealed and maintenance free. They are recharged by an onboard charging system.

- Charge your scooter's batteries prior to using it for the first time.
- Keep the batteries fully charged to keep your scooter running smoothly.
- Use only the onboard battery charger supplied with your scooter.

## READING YOUR BATTERY VOLTAGE

The battery condition meter on the control console assembly indicates the approximate strength of your batteries using a color code. See figure 10. Green indicates fully charged batteries, yellow a draining charge, and red indicates that an immediate recharge is necessary. To ensure the highest accuracy, the battery condition meter should be checked while operating your scooter at full speed on a dry, level surface.

You can also check the charge by the ammeter, located at the rear of the scooter near the charger power cord receptacle. The charger power cord must be plugged into a standard wall outlet in order to obtain a reading. When the amperage reading is at or near zero (0) amps, the batteries have a full charge. See figure 11.

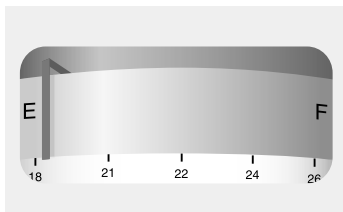


Figure 10. Battery Condition Meter

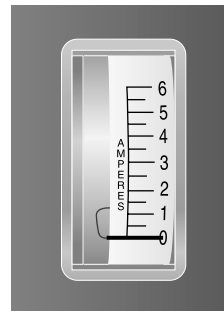


Figure 11. Ammeter Indicates Batteries Are Fully Charged

## CHARGING YOUR BATTERIES

Follow these easy steps to charge your batteries safely:



**WARNING! Never use an extension cord to plug in your battery charger. Plug the charger directly into a properly wired standard wall outlet.**

**WARNING! Removal of the grounding prong can create an electrical hazard. If necessary properly install an approved 3-prong adaptor to an electrical outlet having 2-pronged plug access. Failure to heed could result in personal injury and or property damage.**

1. Position your scooter close to a standard wall outlet.
2. Remove the key from the key switch.
3. Make certain that the manual freewheel lever is in the drive (down) position.
4. Plug the charger power cord into the charger power cord receptacle on your scooter.
5. Extend the charger power cord and plug it into the wall outlet. It is recommended that you charge your batteries for 8 to 14 hours.
6. When the batteries are fully charged, unplug the charger power cord from the wall outlet and then from the charger power cord receptacle.

*NOTE: There is a charger inhibit function on your scooter. The scooter will not run and the battery condition meter will not operate while the batteries are charging.*

# VI. BATTERIES AND CHARGING

## BATTERY REPLACEMENT

To change a battery in your scooter:



**WARNING! Battery posts, terminals, and related accessories contain lead and lead compounds. Wash hands after handling.**

1. Power down your scooter and remove the key.
2. Remove the seat.
3. Gently lift the rear shroud off of your scooter high enough to be able to disconnect the rear lighting harnesses. See figure 12.
4. Disconnect the battery tie-down strap.
5. Disconnect the battery harness from the battery harness mating plug. See figure 12A.
6. Disconnect the battery cables from the battery terminals.
7. Remove the old battery.
8. Place a new battery in the battery well.
9. Connect the red battery cable to the positive (+) battery terminal.
10. Connect the black battery cable to the negative (-) battery terminal.
11. Reconnect the battery harness to the battery harness mating plug. See figure 12A.
12. Reconnect the battery tie-down strap.
13. Reconnect the rear lighting harnesses.
14. Reinstall the rear shroud and the seat.

REAR LIGHTING HARNESSSES



Figure 12. Disconnect Lighting Harnesses

BATTERY HARNESS MATING PLUGS

FRONT-TO-REAR HARNESS

BATTERY HARNESSSES



Figure 12A. Disconnect Battery Harnesses

## BATTERY DISPOSAL AND RECYCLING

If you encounter a damaged or cracked battery, immediately enclose it in a plastic bag and call your authorized Pride Provider for instructions on disposal. Your authorized Pride Provider will also have the necessary information on battery recycling, which is our recommended course of action.

## FREQUENTLY ASKED QUESTIONS (FAQs)

### How does the charger work?

When battery voltage is low, the charger works harder and sends more electrical current to the batteries to bring up their charge. As battery voltage approaches a full charge, the charger sends less electrical current to the batteries. When the batteries are fully charged, the current sent from the charger is at nearly zero amperage. Therefore, when the charger is plugged in, it maintains the charge on your batteries but does not overcharge them. We do not recommend that you charge your batteries for more than 24 consecutive hours.

### Can I use a different charger?

For the safest, most efficient, and balanced charging of the batteries, you should simultaneously charge both batteries using only the manufacturer-supplied onboard battery charger.

# VI. BATTERIES AND CHARGING

## How often must I charge the batteries?

Two major factors must be considered when deciding how often to charge the batteries:

- All day scooter use on a daily basis.
- Infrequent scooter use.

With these considerations in mind, you can determine just how often and for how long you should charge the batteries. The onboard battery charger is designed so that it does not overcharge your scooter's batteries; however, you may encounter some problems if you do not charge your batteries often enough and if you do not charge them on a regular basis.

Following the five guidelines below provides safe and reliable battery operation and charging.

- If you use your scooter daily, charge its batteries as soon as you finish using it for the day. Your scooter will be ready each morning to give you a “full day” of service. We recommend you charge the batteries for 8 to 14 hours after daily use.
- If you use your scooter once a week or less, charge its batteries at least once a week for 12 to 14 hours at a time.
- Keep the batteries fully charged.
- Avoid deeply discharging the batteries.
- Do not charge the batteries for more than 24 consecutive hours.

## How can I get maximum range or distance per charge?

Rarely will you have ideal driving conditions — smooth, flat, hard driving surfaces with no wind or curves. Often, you will face hills, sidewalk cracks, uneven and loosely packed surfaces, curves, and wind. All of these driving conditions affect the distance or running time per battery charge. The following are a few suggestions for obtaining the maximum range per battery charge.

- Always fully charge the batteries prior to your daily use.
- Maintain **30-35 psi** in all of your scooter's tires.
- Plan your route to avoid as many hills, cracked, broken, or soft surfaces as possible.
- Limit your baggage weight to essential items.
- Try to maintain an even speed while your scooter is in motion.
- Avoid stop-and-go driving.

## What type and size of battery should I use?

We recommend deep-cycle batteries that are sealed and maintenance free. Both AGM and Gel-Cell are deep-cycle batteries that are similar in performance in your scooter. Do not use wet-cell batteries, which have removable caps. Do not use car (starting) batteries such as those sold for automobiles.



**WARNING! Corrosive chemicals contained in batteries. Use only AGM or Gel-Cell batteries to reduce the risk of leakage or explosive conditions.**

*NOTE: Sealed batteries are not serviceable. Do not remove the caps.*

# VI. BATTERIES AND CHARGING

Use these specifications to reorder deep-cycle batteries from your authorized Pride Provider:

Battery Specifications	
<b>Type:</b>	Deep-cycle (AGM or Gel-Cell)
<b>Size:</b>	NF-22 batteries are recommended, U-1 batteries are optional
<b>Voltage:</b>	12 volts each
<b>Amperage:</b>	55 AH (NF-22), 32 AH (U-1)

## Why do my new batteries seem weak?

Deep-cycle batteries employ a different chemical technology than that used in car batteries, nickel-cadmium batteries (nicads), or in other common battery types. Deep-cycle batteries are specifically designed to provide power, drain down their charge, and then accept a relatively quick recharge.

We work closely with our battery manufacturer to provide batteries that best suit your scooter's specific electrical demands. Fresh batteries arrive daily at Pride and are shipped fully charged to our customers. During shipping, the batteries may encounter temperature extremes that can influence their initial performance. Heat diminishes the charge on the battery; cold slows the available power and extends the time needed to recharge the battery.

It may take a few days for the temperature of the batteries to stabilize and adjust to their new room or ambient temperature. More importantly, it takes a few charging cycles—partial draining followed by full recharging—to establish the critical chemical balance that is essential to a deep-cycle battery's peak performance and long life.

Please follow these steps to properly break-in your new batteries for maximum efficiency and service life.

1. Fully charge any new battery prior to its initial use. This initial charging cycle brings the batteries up to about 88% of their peak performance level.
2. Operate your scooter in familiar and safe areas. Drive slowly at first, and do not travel too far from your home or familiar surroundings until you have become accustomed to the controls and have properly broken in the batteries.
3. Fully recharge the batteries. This recharge should bring the batteries up to about 90% of their peak performance level.
4. Operate your scooter again.
5. Fully recharge the batteries again.
6. After four or five charging cycles, the batteries are able to receive a charge of 100% of their peak performance level and are able to last for an extended period of time.

## How can I ensure maximum battery life?

Fully charged deep-cycle batteries provide reliable performance and extended battery service life. Keep the batteries fully charged whenever possible. Batteries that are deeply discharged, infrequently charged, or stored without a full charge may be permanently damaged and cause unreliable performance and limited service life.

# VI. BATTERIES AND CHARGING

## What about public transportation?

If you intend to use public transportation with your scooter, you must contact the transportation Provider in advance to determine their specific requirements.

## How should I store my scooter and its batteries?

See XI “Care and Maintenance.”

## Charger Fuse

The 15-amp fuse located on the cable for the battery charger is to protect the electronic controller module if there is a problem with the charging circuit. See figure 13. See XI. “Care and Maintenance” on how to replace a fuse.

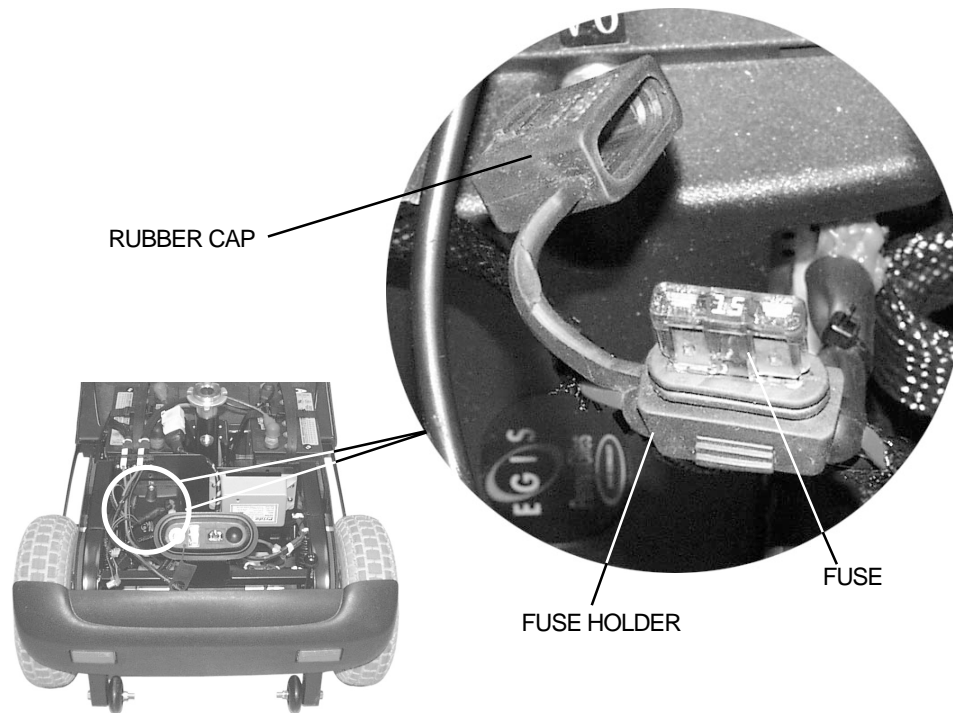


Figure 13. 15-Amp Charger Fuse

# VII. OPERATION

## BEFORE GETTING ONTO YOUR SCOOTER

- Have you fully charged the batteries? See VI. “Batteries and Charging.”
- Is the manual freewheel lever in the drive (down) position? Never leave the manual freewheel lever pulled up unless you are manually pushing your scooter.

## GETTING ONTO YOUR SCOOTER

1. Make certain that the key is removed from the key switch.



**WARNING! Never attempt to board or exit your scooter without first removing the key from the key switch. This will prevent the scooter from moving if accidental throttle control lever contact is made.**

2. Stand at the side of your scooter.
3. Push forward on the seat lock lever and rotate the seat until it is facing you.
4. Make certain that the seat is locked securely in position.
5. Position yourself comfortably and securely in the seat.
6. Push forward on the seat lock lever and rotate the seat until you are facing forward.
7. Make certain that the seat is locked securely in position.
8. Make certain that your feet are safely on the floorboard.

## PRE-RIDE ADJUSTMENTS AND CHECKS

- Are you positioned comfortably in the seat? See “Getting Onto Your Scooter,” above.
- Is the seat at the proper height? See VIII. “Comfort Adjustments.”
- Is the seat locked securely in place? See VIII. “Comfort Adjustments.”
- Is the tiller at a comfortable setting and locked securely in place? See VIII. “Comfort Adjustments.”
- Is the key fully inserted into the key switch and turned clockwise to the “on” position? See V. “Your Victory XL-4.”
- Does the scooter’s horn work properly?
- Is your proposed path clear of people, pets, and obstacles?
- Have you planned your route to avoid adverse terrain and as many inclines as possible?

## OPERATING YOUR SCOOTER

Keep both hands on the tiller and your feet on the floorboard at all times while operating your scooter. This driving position gives you the most control over your vehicle.

- Set the speed adjustment dial to your desired speed.
- Press your thumb against the appropriate throttle control lever.
- The electromechanical disc park brake automatically disengages and the scooter accelerates smoothly to the speed you preselected with the speed adjustment dial.
- Pull on the left handgrip to steer your scooter to the left.
- Pull on the right handgrip to steer your scooter to the right.
- Move the tiller to the center position to drive straight ahead.
- To stop, slowly release the throttle control lever. The electronic brakes will automatically engage when your scooter comes to a stop.

*NOTE: Your scooter’s reverse speed is slower than that of the forward speed you preset with the speed adjustment dial.*

# VII. OPERATION

## GETTING OFF OF YOUR SCOOTER

1. Bring your scooter to a complete stop.
2. **Remove the key from the key switch.**
3. Push forward on the seat lock lever and rotate the seat until you are facing toward the side of your scooter.
4. Make certain that the seat is locked securely in position.
5. Carefully and safely get out of the seat and stand to the side of your scooter.
6. You can leave the seat facing to the side to facilitate boarding your scooter next time.

## POWER DOWN TIMER FEATURE

Your scooter is equipped with an energy saving automatic power down timer feature designed to preserve your scooter's battery life. If you mistakenly leave the key in the key switch and in the "on" position but do not use your scooter for approximately 20 minutes, the scooter's controller shuts down automatically. Although the controller is shut down, power will still be supplied to the scooter's lighting system.

If the power down timer feature takes effect, perform the following steps to resume normal operation.

1. Turn the key to the "off" position.
2. Turn the key back to the "on" position.

# VIII. COMFORT ADJUSTMENTS



**WARNING! Remove the key from the key switch before adjusting the tiller or the seat. Never attempt to adjust the tiller or the seat while the scooter is in motion.**

## TILLER ANGLE ADJUSTMENT

Your tiller is equipped with a tiller adjustment lever, which allows you to lock the tiller in place. See figure 14.

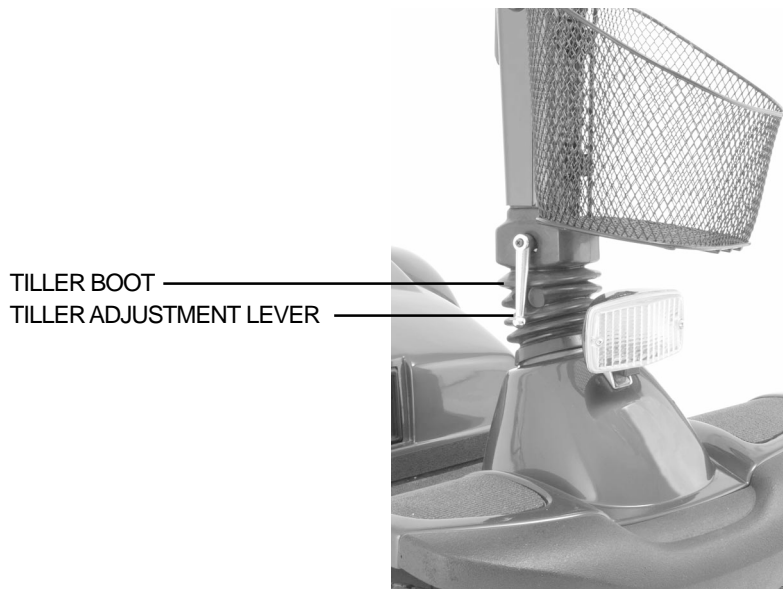
To adjust the tiller angle:

1. Turn the tiller adjustment lever counterclockwise until it is loose. If the tiller adjustment lever comes in contact with the tiller basket, pull it outward, turn it clockwise, and release it. Continue to loosen until you are able to move the tiller.
2. Turn the tiller adjustment lever clockwise until it is tight. If the tiller adjustment lever comes in contact with the tiller basket, pull it outward, turn it counterclockwise, and release it. Continue to turn the lever until it is tight.

*NOTE: The tiller may be adjusted to its lowest position and locked in place for storage.*

To adjust the tiller for storage:

1. Turn the tiller adjustment lever counterclockwise until it is loose.
2. Pull the tiller boot upward to expose the tiller release buttons.
3. Grasp the hand grip on the tiller and carefully depress both tiller release buttons, then slowly lower the tiller to the scooter's floorboard.
4. When the tiller reaches its lowest point, turn the tiller adjustment lever clockwise until it is tight to lock the tiller in place.



**Figure 14. Tiller Angle Adjustment**



# VIII. COMFORT ADJUSTMENTS

## SEAT HEIGHT ADJUSTMENT

To reposition the seat to one of three different heights:

1. Remove the seat from your scooter. Push and hold the seat lock lever forward to unlock the seat, then rotate the seat and lift it off of the scooter.
2. Remove the rear shroud.
3. Use two 17-mm wrenches to loosen and remove the hex head bolt and nut. See figure 15.
4. Raise or lower the upper seat post to the desired seat height.
5. Line up another locating hole in the upper seat post with the hole in the lower seat post.
6. Reinstall the hardware and tighten.
7. Replace the rear shroud and the seat.

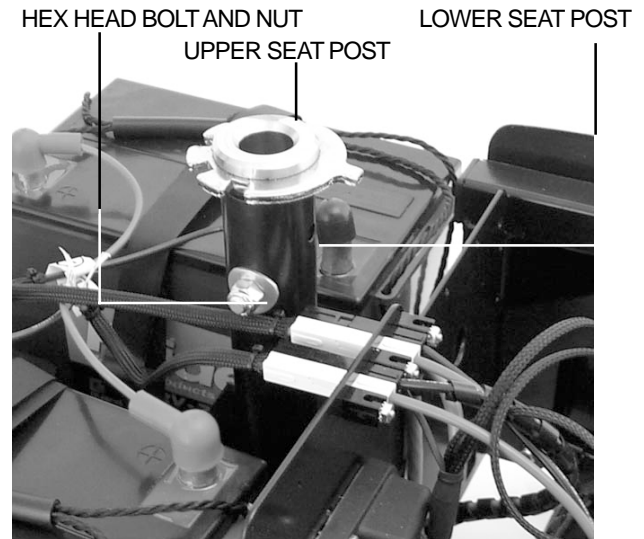


Figure 15. Seat Height Adjustment

## FRONT-TO-BACK SEAT ADJUSTMENT

You can reposition the seat forward or rearward to adjust the distance between the seat and the tiller. See figure 16.

1. Pull the seat sliding lever to the side.
2. Hold the lever to the side and slide the seat forward or rearward into a comfortable position.
3. Release the seat sliding lever to lock the seat securely in place.

## SEAT ROTATION ADJUSTMENT

The seat lock lever locks the seat in one of eight positions. See figure 16.

1. Push forward on the seat lock lever to unlock the seat.
2. Rotate the seat to the desired position.
3. Release the seat lock lever to lock the seat securely in place. If the seat is not locked into position, gently rock the seat back and forth until you hear the lever “click.”

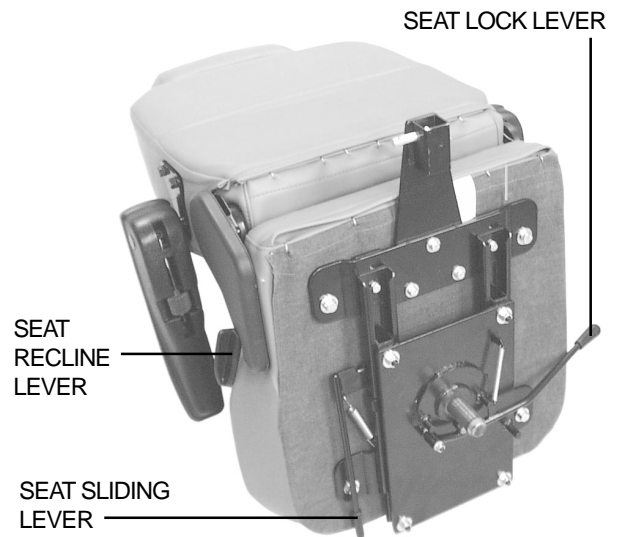


Figure 16. Seat Adjustments

## SEATBACK ADJUSTMENT

To adjust the recline angle of the seat:

1. Pull up on the seat recline lever to unlock the seatback. See figure 16.
2. Lean forward or backward to adjust the seatback to a comfortable position.
3. Release the seat recline lever to lock the seat securely in place.



**WARNING! Always keep your back pressed firmly against the seatback while adjusting the angle.**



**WARNING! Do not operate your scooter with the seatback in a reclined position.**

# VIII. COMFORT ADJUSTMENTS

## ARMREST ADJUSTMENT

There is an armrest adjustment dial on the underside of each armrest. To adjust the armrest angle upward or downward while seated in your scooter:

- Turn the armrest adjustment dial to the left to lower the armrest angle or to the right to raise the armrest angle.

*NOTE: The armrests also pivot upward to make getting on and off of your scooter easier.*

## POSITIONING BELT (Optional)

Your scooter seat may be equipped with an auto-type positioning belt that can be adjusted for operator comfort. See figure 17. The positioning belt is designed to help support the operator so that he or she does not slide down or forward in the seat. The positioning belt is not designed for use as a restraining device.

To install the positioning belt (if required):

1. Remove the seat from your scooter.
2. Place the seat upside down so that you can see the bottom of the seat base. See figure 17A.
3. Use a wrench to remove the two back bolts on the outermost part of the rear seat.
4. Insert the bolt through the appropriate ends of the positioning belt and then reinstall the bolts and belt back into the seat bottom.
5. Tighten the bolts.

To adjust the positioning belt for operator comfort:

1. Insert the metal tab on the right side of the belt into the plastic housing on the opposite strap until you hear a “click.”
2. Pull the strap on the right side of the belt until it is secure, but not so tight as to cause discomfort.

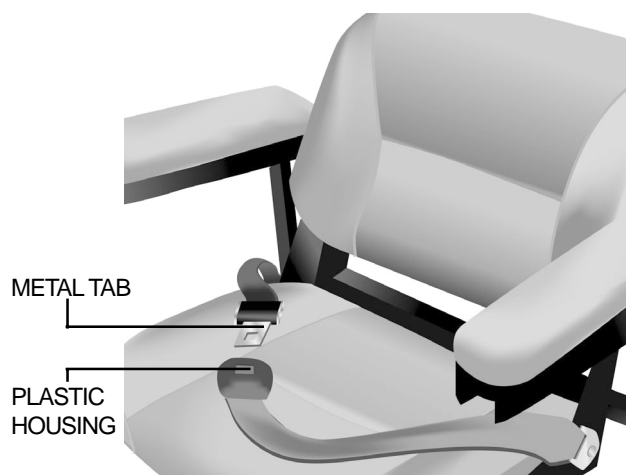


Figure 17. Positioning Belt

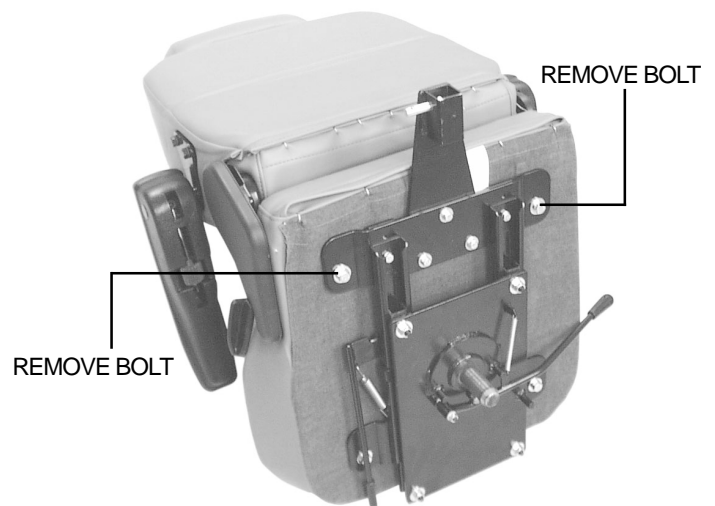


Figure 17A. Positioning Belt Installation

## VIII. COMFORT ADJUSTMENTS

### POWER SEAT (OPTIONAL)

Your scooter may be equipped with a power seat. The power seat actuator is designed to raise or lower the seat automatically with minimal effort on the part of the operator. See figure 18.



**WARNING! The power seat is intended for operation only while your scooter is stationary and on a level surface. Its purpose is to aid you in reaching objects.**

**Strict adherence to the following safety rules is vital to your safety:**

- **Do not attempt to raise or lower the seat while in motion!**
- **Operate the power seat only on level ground.**
- **Do not operate your scooter with the power seat elevated.**
- **It is recommended that the scooter be driven only with the seat in the lowest position.**

**Raising and lowering the power seat when traveling or when on an incline could cause the scooter to tip over, resulting in serious injury an/or scooter damage. Keep the power seat in its lowest position when traveling or when on an incline.**

To operate your power seat:

**If the toggle switch is mounted on the right side of the scooter:**

1. Push the toggle switch lever forward to raise the seat.
2. Pull the toggle switch lever backward to lower the seat.
3. Release the toggle switch lever when you have attained your desired height.

**If the toggle switch is mounted on the left side of the scooter:**

1. Push the toggle switch lever forward to lower the seat.
2. Pull the toggle switch lever backward to raise the seat.
3. Release the toggle switch lever when you have attained your desired height.



Figure 18. Power Seat Actuator

# IX. DISASSEMBLY AND ASSEMBLY

The Victory XL-4 requires no tools for disassembly. Always disassemble or assemble your scooter on a level, dry surface with sufficient room for you to work and move around your scooter. Keep in mind that the disassembled sections of the scooter will take up more floor space than the assembled scooter.

## DISASSEMBLY



**WARNING! Lifting weight beyond your physical capability may result in personal injury. Ask for assistance when necessary while disassembling or assembling your scooter.**

1. Remove the key from the key switch.
2. Push down on the manual freewheel lever. See V. “Your Victory XL-4.” Putting your scooter in drive mode may make it easier for you to maneuver the rear section because the drive wheels are stabilized.
3. Lift the seat up and off of your scooter.
4. Gently lift the rear shroud off of your scooter far enough to be able to disconnect the rear light harnesses. See figure 19. The rear shroud is held in place with a reusable fastener.
5. Unplug the large, white, 9-pin front-to-rear connector. See figure 20.
6. Unplug both battery harnesses from the battery harness connectors. See figure 20.
7. Loosen the battery straps, then lift both batteries from the battery wells.

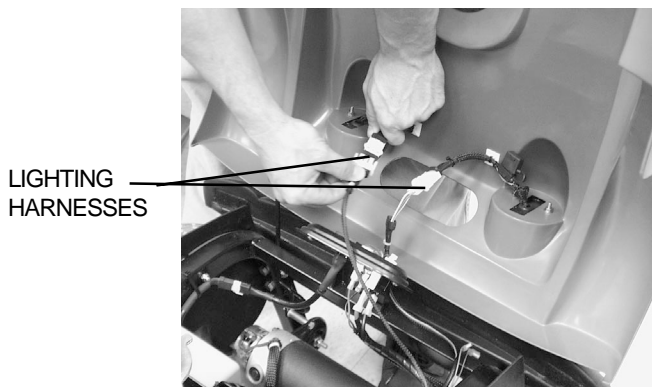


Figure 19. Disconnect Lighting Harnesses

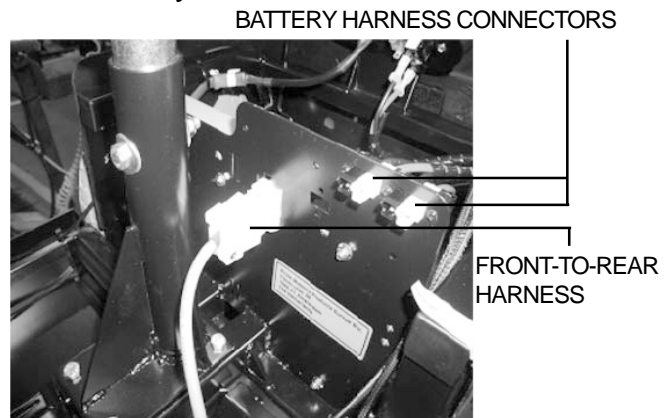


Figure 20. Front-To-Rear Harness

8. (If equipped) Disconnect the handbrake cable from the rear hub by pushing forward and holding the brake release lever with your thumb. See figure 21. Lift the cable release hook free of the peg and slide the handbrake cable free of its slot on the brake mount. See figure 21A. Move the cable safely out of the way.

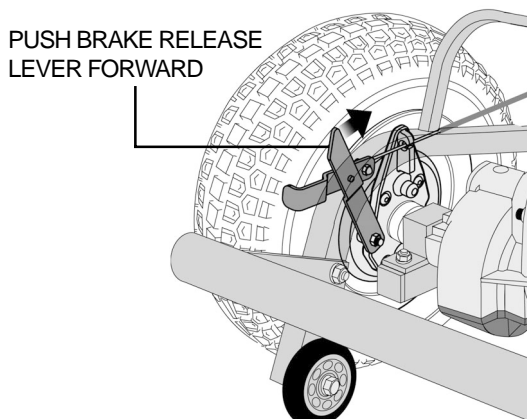


Figure 21. Brake Release Lever

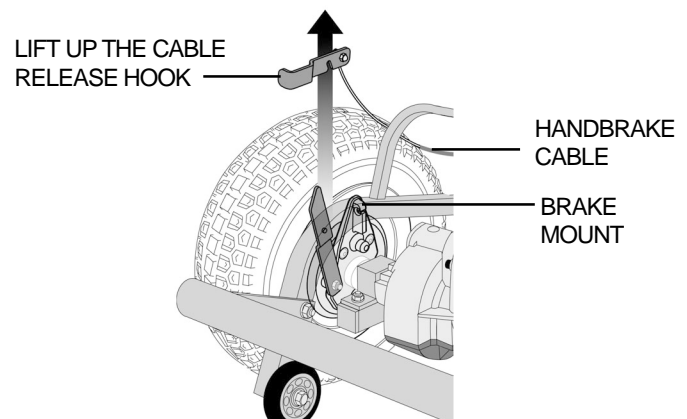


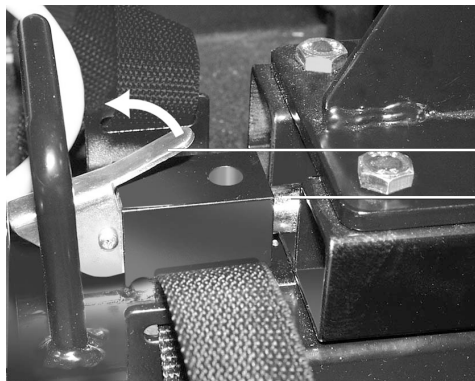
Figure 21A. Disengage Handbrake Cable

## IX. DISASSEMBLY AND ASSEMBLY



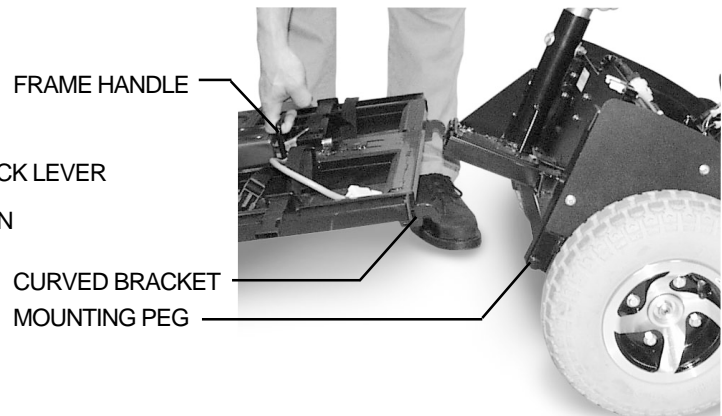
**CAUTION! Failing to unplug both battery harnesses and the front-to-rear harness prior to further disassembly could result in permanent damage to your scooter.**

9. Pull the frame lock lever all the way back. See figure 22.
10. While holding the lever back, lift up on the frame handle and push back on the seat post. The frame halves will separate. See figure 23.



FRAME LOCK LEVER  
LOCKING PIN

Figure 22. Frame Lock



FRAME HANDLE  
CURVED BRACKET  
MOUNTING PEG

Figure 23. Separating Frame Halves

### ASSEMBLY

1. Position the scooter halves as shown in figure 23.
2. Lift up on the frame handle and push back on the seat post.
3. Align the curved bracket of the front section with the mounting peg of the rear section and lower the front section onto the peg of the rear section.
4. Pivot the front and rear sections towards each other. The locking pin will lock into place.
5. Place the batteries into the battery wells, and fasten the battery straps.
6. Plug both battery harnesses into the battery harness connectors.
7. Plug the large, white, 9-pin front-to-rear connector into its mating plug coming from the rear.
8. (If equipped) Reconnect the handbrake cable by sliding the cable into its slot on the brake mount. With your thumb, push forward and hold the brake release lever, then slide the cable release hook onto the peg and gently let go of the brake release lever.
9. Plug the lighting harnesses back into their connectors before fully reinstalling the rear shroud.
10. Reinstall the seat.

# X. TROUBLESHOOTING

Any electromechanical device requires occasional troubleshooting. However, most problems that arise can usually be solved with a bit of thought and common sense. Many of these problems occur because the batteries are not fully charged or because the batteries are worn down and can no longer hold a charge.

PROBLEM	POSSIBLE SOLUTIONS
All of my scooter systems appear to be “dead.”	<p>One of the following actions may eliminate the problem.</p> <ul style="list-style-type: none"> <li>■ Remove and reinsert the key back to the “on” position.</li> <li>■ Ensure the batteries are fully charged.</li> <li>■ Push in the main circuit breaker reset button.</li> <li>■ Ensure that both battery harnesses are firmly connected to their battery harness mating connectors.</li> <li>■ Ensure that the front-to-rear harness is firmly connected.</li> </ul>
My scooter’s battery condition meter shows a full charge, but my scooter does not move when I push the throttle.	<p>Ensure your scooter was not left in freewheel mode. (Push down on the manual freewheel lever to restore normal operation.)</p> <p><i>NOTE: When the manual freewheel lever is pulled up, your scooter’s brakes are disengaged and all power to the motor/transaxle assembly is cut.</i></p>
My scooter’s main circuit breaker trips repeatedly.	<p>One of the following actions may eliminate the problem.</p> <ul style="list-style-type: none"> <li>■ Charge your scooter’s batteries more frequently.</li> <li>■ Have both of your scooter’s batteries load tested by your authorized Pride Provider.</li> <li>■ Obtain a battery load tester at most any automotive parts store; follow the directions supplied with the load tester.</li> </ul>
My scooter’s battery condition meter dips way down and the motor surges or hesitates when I press the throttle control lever.	<p>One of the following actions may eliminate the problem.</p> <ul style="list-style-type: none"> <li>■ Fully charge your scooter’s batteries.</li> <li>■ Have your authorized Pride Provider load test each battery.</li> <li>■ Obtain a battery load tester at most any automotive parts store; follow the directions supplied with the load tester.</li> </ul>

If you experience any problems with your scooter that you are not able to solve, immediately contact your authorized Pride Provider for information, maintenance, and service.

# XI. CARE AND MAINTENANCE

Your scooter requires a minimal amount of care and maintenance. If you do not feel confident in your ability to perform the maintenance listed below, you may schedule inspection and maintenance at your authorized Pride Provider. The following areas require periodic inspection and/or care and maintenance.

## TIRE PRESSURE

- If equipped with pneumatic tires, always maintain a proper **30-35 psi** tire pressure.



**WARNING! It is important that 30-35 psi tire pressure be maintained in pneumatic tires at all times. Do not underinflate or overinflate your tires. Low pressure may result in loss of control, and overinflated tires may burst. Failure to maintain 30-35 psi tire pressure in pneumatic tires at all times may result in tire and/or wheel failure, causing serious personal injury and/or damage to your scooter.**

- Regularly inspect your scooter's tires for signs of wear.

## EXTERIOR SURFACES

Bumpers, tires, and trim can benefit from an occasional application of rubber or vinyl conditioner.



**WARNING! Do not use a rubber or vinyl conditioner on the scooter's vinyl seat, floboard, or tire tread. They will become dangerously slippery and result in personal injury and/or damage to your scooter.**

## BATTERY TERMINAL CONNECTIONS

- Make certain that the terminal connections remain tight and uncorroded.
- The batteries must sit flat in the battery wells.
- The battery terminals should face the rear of the scooter.

## WIRING HARNESSES

- Regularly check all wiring connections.
- Regularly check all wiring insulation, including the charger power cord, for wear or damage.
- Have your authorized Pride Provider repair or replace any damaged connector, connection, or insulation that you find before using your scooter again.

## ABS PLASTIC SHROUDS

- The front tiller shroud, front shroud, and the rear shroud are formed from durable ABS plastic and are coated with an advanced formula urethane paint.
- A light application of car wax will help the shrouds retain their high gloss.

## MOTOR BRUSHES

The motor brushes are housed inside of the motor transaxle/assembly. They should be inspected periodically for wear by your authorized Pride Provider.

## AXLE BEARINGS AND THE MOTOR/TRANSAXLE ASSEMBLY

You do not need to lubricate these items, as they are all prelubricated and sealed

# XI. CARE AND MAINTENANCE

.Console, Charger, and Electronic Controller Module

- Keep these areas away from moisture.
- Before operating your scooter, allow any of these areas to dry thoroughly if they have been exposed to moisture.

## FUSES

In the event a fuse should blow (cease to work):

1. Remove the fuse by pulling it straight out of its slot.
2. Examine the fuse to be sure it is blown. See figures 8 and 8A.
3. Insert a new fuse of the proper rating.



**WARNING! The replacement fuse must exactly match the rating of the new fuse. Failure to use properly rated fuses may cause damage to the electrical system and may result in personal injury.**

## STORING YOUR SCOOTER

If you plan on not using your scooter for an extended period of time, it is best to:

- Fully charge its batteries prior to storage.
- Disconnect both battery harnesses.
- Store your scooter in a warm, dry environment.
- Avoid storing your scooter where it will be exposed to temperature extremes.



**WARNING! Always protect batteries from freezing temperatures and never charge a frozen battery. This damages the battery and can cause personal injury.**

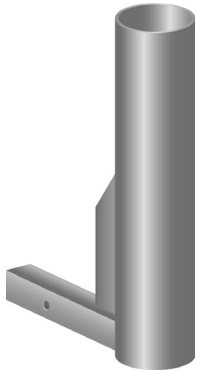
For prolonged storage, you may wish to place several boards under the frame of your scooter to raise it off of the ground. This takes the weight off the tires and reduces the possibility of flat spots developing on the areas of the tires contacting the ground.



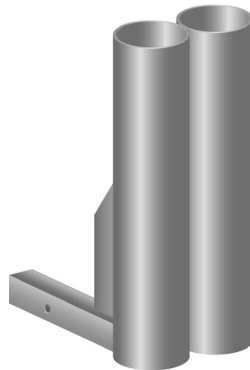
# XII. OPTIONAL ACCESSORIES

## OPTIONAL ACCESSORIES

For information concerning these optional accessories, contact your authorized Pride Provider.



Single Cane/Crutch Holder



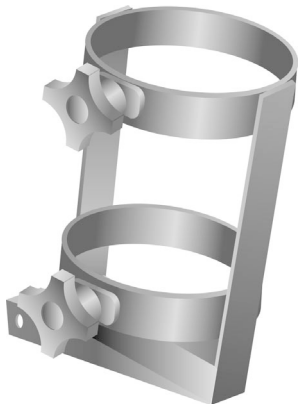
Dual Cane/Crutch Holder



Walker Holder



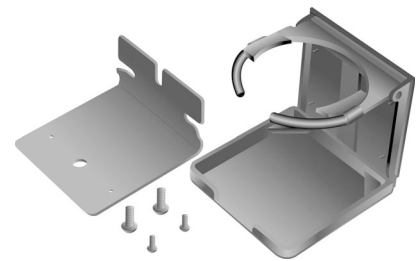
Forearm Crutch Holder



Oxygen Tank Holder



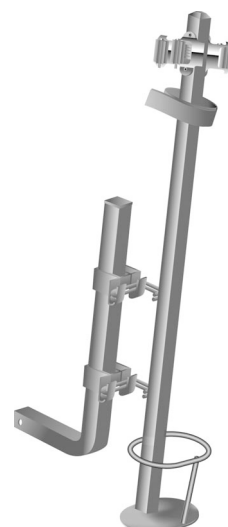
Rear Basket



Cup Holder



Safety Flag



Double Crutch Holder



Quad Cane Holder

# XIII. WARRANTY

## THREE-YEAR LIMITED WARRANTY

Three years on all structural frame components; including platform, fork, seat post, and frame.

Three-year prorata drive train warranty; including transaxle, motor, and brake.

- First year: 100% replacement of parts cost
- Second year: 67% replacement of parts cost
- Third year: 50% replacement of parts cost

## THREE-YEAR WARRANTY EXCEPTIONS

**Transaxle:** In cases where there is an increase in the operational noise level, the warranty does not apply. (The increase in operational noise level usually occurs due to abusive and excessive strain on the scooter.)

**Motor brake:** Three-year warranty for the electrical function of the motor brake. Brake pads are a wear item and are not warranted.

## ONE-YEAR LIMITED WARRANTY

For one (1) year from the date of purchase, Pride will repair or replace at our option to the original purchaser, free of charge, any part or electronic component found upon examination by an authorized representative of Pride to be defective in material and/or workmanship.

The battery is warranted by the battery manufacturer. The battery is not warranted by Pride.

Warranty service can be performed by Pride or by an authorized Pride Provider. Do not return faulty parts to Pride without prior consent. All transportation costs and shipping damage incurred while submitting parts for repair or replacement are the responsibility of the original purchaser.

## WARRANTY EXCLUSIONS

- ABS plastic shrouds and footrest covers (wear items and not warranted)
- Batteries (the battery manufacturer provides a limited warranty)
- Tires and tire tubes (wear items and not warranted)
- Upholstery and seating (wear items and not warranted)
- Repairs and/or modifications made to any part of the scooter without specific and prior consent from Pride
- Circumstances beyond the control of Pride
- Damage caused by: battery fluid spillage or leakage, abuse, misuse, accident, or negligence, improper operation, maintenance, or storage, commercial use or use other than normal
- Labor, service calls, shipping, and other charges incurred for repair of the product

There is no other express warranty.

Implied warranties, including those of merchantability and fitness for a particular purpose, are limited to one (1) year from the date of original purchase and to the extent permitted by law. Any and all implied warranties are excluded. This is the exclusive remedy. Liabilities for consequential damages under any and all warranties are excluded.

Some states do not allow limitations on how long an implied warranty lasts or do not allow the exclusion of limitation of incidental or consequential damages. So, the above limitation or exclusion may not apply to you.



**Pride**  
*Mobility Products Corp.*

182 Susquehanna Avenue  
Exeter, PA 18643  
1-800-800-8586

[www.pridemobility.com](http://www.pridemobility.com)