



View offers > Coupé
> Cabriolet



Book a test drive > Coupé
> Cabriolet



> Find a Retailer



> View the Range Guide

C-Class

Coupé and Cabriolet



Effective from 1 April 2018 Production.

Mercedes-Benz





View offers > Coupé
> Cabriolet



Book a test drive > Coupé
> Cabriolet



> Find a Retailer



> View the Range Guide

Contents

Model prices	10	Pricing summary for model and equipment lines	37	Genuine Accessories	59
Finance offers	14	Standard equipment	39	Colours and materials	63
Sport and AMG Line	22	Wheels	45	Technical data	67
Premium and Premium Plus equipment lines	26	Lane Tracking package	49	Road Fund Licence	77
Mercedes-AMG models	28	Driving Assistance package	50	Services and insurance	78
Premium and Premium Plus equipment lines for Mercedes-AMG	34	Night package	51	Mercedes me	79
Mercedes-AMG driver training	35	Optional equipment	52	Mercedes-Benz Finance	81



View offers > Coupé
> Cabriolet



Book a test drive > Coupé
> Cabriolet



> Find a Retailer



> View the Range Guide

The hard facts to melt your heart

At Mercedes-Benz we appreciate the importance of detail. Over the following pages you'll find model prices and a breakdown of standard and optional equipment, as well as details of the comprehensive services and benefits that are available to every Mercedes-Benz driver.

See Mercedes-Benz in a new light. Now is the time to get yourself behind the wheel of a C-Class. Choose from a number of attractive finance offers. Please see pages 14-21 for further details, or visit www.mercedes-benz.co.uk/offers

Of course, some things have to be experienced to be truly appreciated, such as the qualities that set a Mercedes-Benz apart. Which is why we'd like to invite you for a test drive at your local Mercedes-Benz Retailer. Alternatively, you can make arrangements by visiting www.mercedes-benz.co.uk/testdrive

For more information visit www.mercedes-benz.co.uk or call 0333 222 0500.



View offers > Coupé
> Cabriolet



Book a test drive > Coupé
> Cabriolet



> Find a Retailer



> View the Range Guide





View offers > Coupé
> Cabriolet



Book a test drive > Coupé
> Cabriolet



> Find a Retailer



> View the Range Guide



Some of the model features, optional extras and colours shown may not be available, or may only be available in a different specification.



View offers > Coupé
> Cabriolet



Book a test drive > Coupé
> Cabriolet



> Find a Retailer



> View the Range Guide



Some of the model features, optional extras and colours shown may not be available, or may only be available in a different specification.



View offers > Coupé
> Cabriolet



Book a test drive > Coupé
> Cabriolet



> Find a Retailer



> View the Range Guide



Some of the model features, optional extras and colours shown may not be available, or may only be available in a different specification.



View offers > Coupé
> Cabriolet



Book a test drive > Coupé
> Cabriolet



> Find a Retailer



> View the Range Guide



Some of the model features, optional extras and colours shown may not be available, or may only be available in a different specification.



View offers > Coupé
> Cabriolet



Book a test drive > Coupé
> Cabriolet



> Find a Retailer



> View the Range Guide



Some of the model features, optional extras and colours shown may not be available, or may only be available in a different specification.



Model prices – Coupé

Engine	Model line	Transmission	CO ₂	Basic RRP excl. VAT (£)	Total RRP incl. VAT (£)	Road Fund Licence (£) ¹	Rec. OTR price (£) ²	P11D value (£)	BiK tax rate 2017/18 (%)
C220 d Diesel – 2,143 cc, 4-cylinder, 170 hp/125 kW	Sport	6-speed manual ³	106	28,300.00	33,960.00	140.00	34,815.00	34,620.00	23
		9G-TRONIC PLUS 9-speed automatic ³	112	29,633.33	35,560.00	160.00	36,435.00	36,220.00	24
	AMG Line	6-speed manual ³	113	29,545.83	35,455.00	160.00	36,330.00	36,115.00	24
		9G-TRONIC PLUS 9-speed automatic ³	117	30,879.17	37,055.00	160.00	37,930.00	37,715.00	25
C220 d 4MATIC Diesel – 2,143 cc, 4-cylinder, 170 hp/125 kW	AMG Line	9G-TRONIC PLUS 9-speed automatic ³	127	32,212.50	38,655.00	160.00	39,530.00	39,315.00	27
C250 d Diesel – 2,143 cc, 4-cylinder, 204 hp/150 kW	AMG Line	9G-TRONIC PLUS 9-speed automatic ³	120	31,758.33	38,110.00	160.00	38,985.00	38,770.00	26
C250 d 4MATIC Diesel – 2,143 cc, 4-cylinder, 204 hp/150 kW	AMG Line	9G-TRONIC PLUS 9-speed automatic ³	127	33,091.67	39,710.00	160.00	40,585.00	40,370.00	27
C200 Petrol – 1,991 cc, 4-cylinder, 184 hp/135 kW	Sport	6-speed manual ³	123	26,208.33	31,450.00	160.00	32,325.00	32,110.00	23
		9G-TRONIC PLUS 9-speed automatic ³	129	27,541.67	33,050.00	160.00	33,925.00	33,710.00	24
	AMG Line	6-speed manual ³	132	27,454.17	32,945.00	200.00	33,860.00	33,605.00	25
		9G-TRONIC PLUS 9-speed automatic ³	134	28,787.50	34,545.00	200.00	35,460.00	35,205.00	25
C200 4MATIC Petrol – 1,991 cc, 4-cylinder, 184 hp/135 kW	AMG Line	9G-TRONIC PLUS 9-speed automatic ³	157	30,120.83	36,145.00	500.00	37,360.00	36,805.00	30

¹A different first year rate of Vehicle Excise Duty (Road Fund Licence) applies for new cars. Please refer to page 77 for the relevant rate for the second and subsequent years

²The recommended on-the-road price includes the Road Fund Licence applicable to the standard model plus delivery charge (£635.00 incl. VAT), new vehicle registration fee (£55.00) and number plates (£25.00 incl. VAT). VAT is calculated at the standard rate of 20%

³With ECO start/stop



Engine	Model line	Transmission	CO ₂	Basic RRP excl. VAT (£)	Total RRP incl. VAT (£)	Road Fund Licence (£) ¹	Rec. OTR price (£) ²	P11D value (£)	BiK tax rate 2017/18 (%)
C300 Petrol – 1,991 cc, 4-cylinder, 245 hp/180 kW	Sport	9G-TRONIC PLUS 9-speed automatic ³	143	29,841.67	35,810.00	200.00	36,725.00	36,470.00	27
	AMG Line	9G-TRONIC PLUS 9-speed automatic ³	148	31,087.50	37,305.00	200.00	38,220.00	37,965.00	28
Mercedes-AMG									
Mercedes-AMG C 43 4MATIC Petrol – 2,996 cc, 6-cylinder, 367 hp/270 kW	-	9G-TRONIC PLUS 9-speed automatic ³	183	38,445.83	46,135.00	800.00	47,650.00	46,795.00	35
Mercedes-AMG C 63 Petrol – 3,982 cc, 8-cylinder, 476 hp/350 kW	-	AMG SPEEDSHIFT MCT 7-speed auto. ³	200	51,300.00	61,560.00	1,200.00	63,475.00	62,220.00	37
Mercedes-AMG C 63 S Petrol – 3,982 cc, 8-cylinder, 510 hp/375 kW	-	AMG SPEEDSHIFT MCT 7-speed auto. ³	200	57,058.33	68,470.00	1,200.00	70,385.00	69,130.00	37

¹A different first year rate of Vehicle Excise Duty (Road Fund Licence) applies for new cars. Please refer to page 77 for the relevant rate for the second and subsequent years

²The recommended on-the-road price includes the Road Fund Licence applicable to the standard model plus delivery charge (£635.00 incl. VAT), new vehicle registration fee (£55.00) and number plates (£25.00 incl. VAT). VAT is calculated at the standard rate of 20%

³With ECO start/stop



Model prices – Cabriolet

Engine	Model line	Transmission	CO ₂	Basic RRP excl. VAT (£)	Total RRP incl. VAT (£)	Road Fund Licence (£) ¹	Rec. OTR price (£) ²	P11D value (£)	BiK tax rate 2017/18 (%)
C220 d Diesel – 2,143 cc, 4-cylinder, 170 hp/125 kW	Sport	6-speed manual ³	116	32,116.67	38,540.00	160.00	39,415.00	39,200.00	25
		9G-TRONIC PLUS 9-speed automatic ³	121	33,450.00	40,140.00	160.00	41,015.00	40,800.00	26
	AMG Line	6-speed manual ³	119	33,362.50	40,035.00	160.00	40,910.00	40,695.00	25
		9G-TRONIC PLUS 9-speed automatic ³	126	34,695.83	41,635.00	160.00	42,510.00	42,295.00	27
C220 d 4MATIC Diesel – 2,143 cc, 4-cylinder, 170 hp/125 kW	AMG Line	9G-TRONIC PLUS 9-speed automatic ³	134	36,029.17	43,235.00	200.00	44,150.00	43,895.00	28
C250 d Diesel – 2,143 cc, 4-cylinder, 204 hp/150 kW	AMG Line	9G-TRONIC PLUS 9-speed automatic ³	126	35,575.00	42,690.00	160.00	43,565.00	43,350.00	27
C200 Petrol – 1,991 cc, 4-cylinder, 184 hp/135 kW	Sport	6-speed manual ³	136	30,025.00	36,030.00	200.00	36,945.00	36,690.00	26
		9G-TRONIC PLUS 9-speed automatic ³	138	31,358.33	37,630.00	200.00	38,545.00	38,290.00	26
	AMG Line	6-speed manual ³	139	31,270.83	37,525.00	200.00	38,440.00	38,185.00	26
		9G-TRONIC PLUS 9-speed automatic ³	141	32,604.17	39,125.00	200.00	40,040.00	39,785.00	27

¹A different first year rate of Vehicle Excise Duty (Road Fund Licence) applies for new cars. Please refer to page 77 for the relevant rate for the second and subsequent years

²The recommended on-the-road price includes the Road Fund Licence applicable to the standard model plus delivery charge (£635.00 incl. VAT), new vehicle registration fee (£55.00) and number plates (£25.00 incl. VAT). VAT is calculated at the standard rate of 20%

³With ECO start/stop



Engine	Model line	Transmission	CO ₂	Basic RRP excl. VAT (£)	Total RRP incl. VAT (£)	Road Fund Licence (£) ¹	Rec. OTR price (£) ²	P11D value (£)	BiK tax rate 2017/18 (%)
C300 Petrol – 1,991 cc, 4-cylinder, 245 hp/180 kW	Sport	9G-TRONIC PLUS 9-speed automatic ³	151	33,658.33	40,390.00	500.00	41,605.00	41,050.00	29
	AMG Line	9G-TRONIC PLUS 9-speed automatic ³	155	34,904.17	41,885.00	500.00	43,100.00	42,545.00	30
Mercedes-AMG									
Mercedes-AMG C 43 4MATIC Petrol – 2,996 cc, 6-cylinder, 367 hp/270 kW	-	9G-TRONIC PLUS 9-speed automatic ³	194	41,637.50	49,965.00	1,200.00	51,880.00	50,625.00	37
Mercedes-AMG C 63 Petrol – 3,982 cc, 8-cylinder, 476 hp/350 kW	-	AMG SPEEDSHIFT MCT 7-speed auto. ³	208	54,495.83	65,395.00	1,200.00	67,310.00	66,055.00	37
Mercedes-AMG C 63 S Petrol – 3,982 cc, 8-cylinder, 510 hp/375 kW	-	AMG SPEEDSHIFT MCT 7-speed auto. ³	208	59,879.17	71,855.00	1,200.00	73,770.00	72,515.00	37

¹A different first year rate of Vehicle Excise Duty (Road Fund Licence) applies for new cars. Please refer to page 77 for the relevant rate for the second and subsequent years

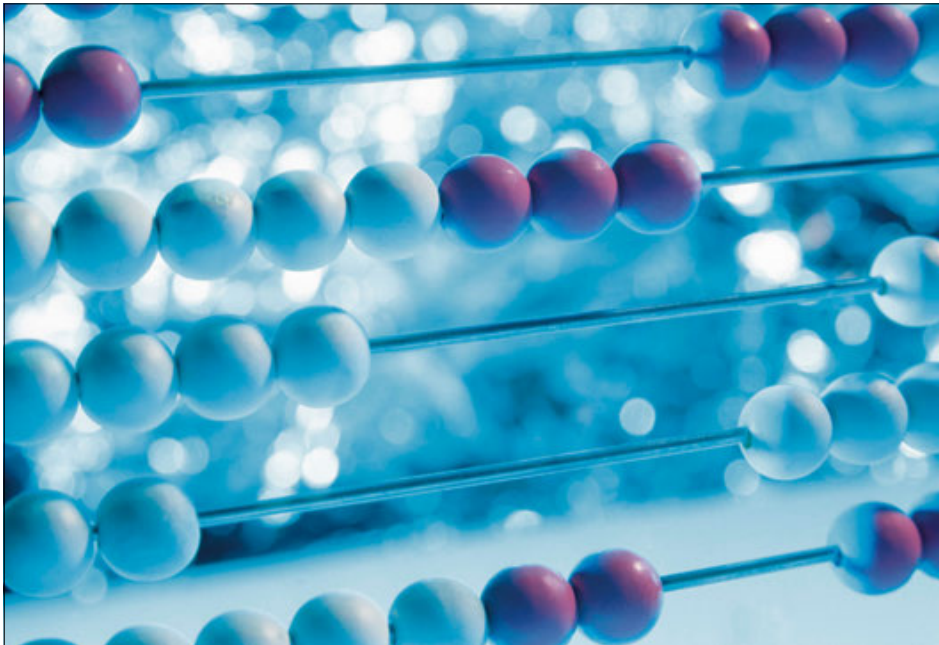
²The recommended on-the-road price includes the Road Fund Licence applicable to the standard model plus delivery charge (£635.00 incl. VAT), new vehicle registration fee (£55.00) and number plates (£25.00 incl. VAT). VAT is calculated at the standard rate of 20%

³With ECO start/stop



Mercedes-Benz Finance

As you'd expect with models of efficiency, the repayments aren't excessive



C 200 AMG Line Coupé with optional metallic paint (representative example)

Based on 10,000 miles per annum

48 monthly payments of ¹	£359.00
Customer deposit	£5,888.38
On-the-road price	£34,545.00
Retailer deposit contribution	£2,470.00
Optional purchase payment ²	£12,850.00
Amount of credit	£26,186.62
Duration of agreement	48 months
Total amount payable ³	£38,450.38
Purchase activation fee ²	£10.00
APR	5.0%
Fixed interest rate	4.90%
Excess mileage	13.2p per mile



**Example offers –
5.0% APR Representative**

	Automatic	Metallic	On-the-road price	Retailer deposit contribution	Customer deposit	48 monthly payments of ¹
C 220 d AMG Line Coupé	–	○	£37,015.00	£2,470.00	£6,498.05	£389.00
C 220 d AMG Line Coupé	●	○	£38,615.00	£2,470.00	£5,823.19	£429.00

● Standard equipment ○ Optional equipment included in the price

Mercedes-Benz Service Care

- Mercedes-Benz trained Technicians
- Maintained by Mercedes-Benz Retailers
- Meets requirements of Mercedes-Benz Agility finance agreement

Mercedes-Benz Motor Insurance

- 24/7 UK accident recovery
- We use Mercedes-Benz GenuineParts
- To qualify for up to 10% discount online, go to www.mercedes-benz.co.uk/motorinsurance
- Alternatively, call Mercedes-Benz Motor Insurance now on **0345 600 2180**⁴ for an annual quote

We may decline to quote in some circumstances. Mercedes-Benz Motor Insurance is underwritten by Aviva Insurance Limited

Content relating to finance is promoted by Mercedes-Benz Finance. Your Retailer may offer finance on behalf of other companies.

Orders/credit approvals on selected C-Class Coupé models only, between 1 January and 31 March 2018, registered by 30 June 2018; excluding Mercedes-AMG models. Some combinations of features/options may not be available.

Please contact your local Mercedes-Benz Retailer for availability

¹Based on a Mercedes-Benz Agility agreement. Vehicle condition, excess mileage and other charges may be payable. Quotations available on request for alternative contract lengths and mileages. Guarantees may be required. Over 18s only.

Credit provided, subject to status, by Mercedes-Benz Finance, MK15 8BA

²Payable if you exercise the option to purchase the car

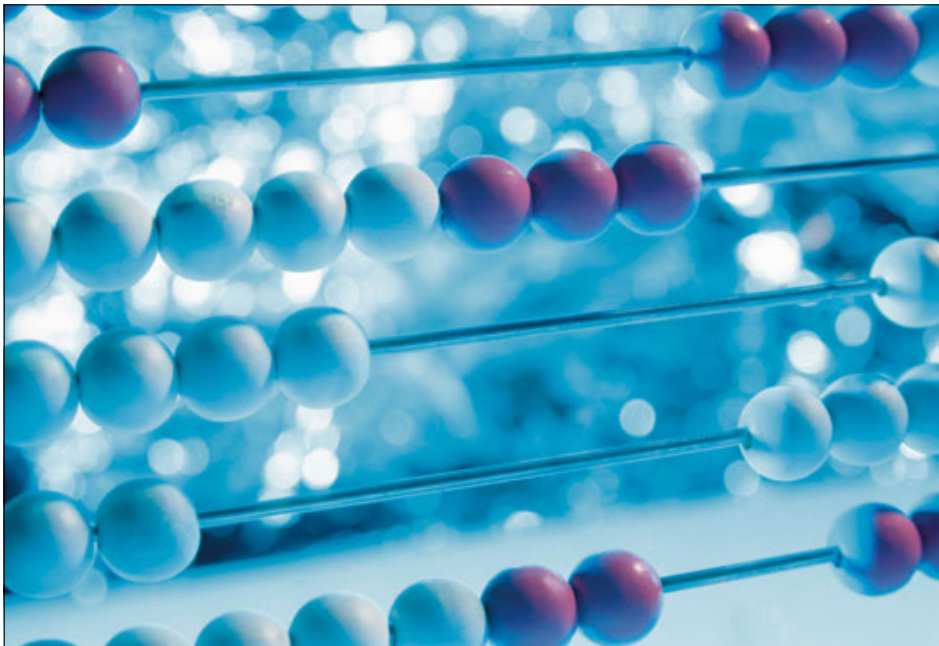
³Includes optional purchase payment, purchase activation fee and Retailer deposit contribution (where applicable)

⁴Calls are charged at local rate and may be recorded



Mercedes-Benz Finance

Where the clever money goes



Mercedes-AMG C 43 4MATIC Coupé with optional metallic paint (representative example)

Based on 10,000 miles per annum

48 monthly payments of ¹	£609.00
Customer deposit	£7,470.06
On-the-road price	£48,335.00
Optional purchase payment ²	£18,350.00
Amount of credit	£40,864.94
Duration of agreement	48 months
Total amount payable ³	£55,062.06
Purchase activation fee ²	£10.00
APR	5.7%
Fixed interest rate	5.55%
Excess mileage	24p per mile



**Example offers –
5.0% APR Representative**

	Automatic	Metallic	On-the-road price	Retailer deposit contribution	Customer deposit	48 monthly payments of ¹
Mercedes-AMG C 63 Coupé	●	○	£64,160.00	£4,621.56	£7,999.00	£739.00

● Standard equipment ○ Optional equipment included in the price

Mercedes-Benz Service Care

- Mercedes-Benz trained Technicians
- Maintained by Mercedes-Benz Retailers
- Meets requirements of Mercedes-Benz Agility finance agreement

Mercedes-Benz Motor Insurance

- 24/7 UK accident recovery
- We use Mercedes-Benz GenuineParts
- To qualify for up to 10% discount online, go to www.mercedes-benz.co.uk/motorinsurance
- Alternatively, call Mercedes-Benz Motor Insurance now on **0345 600 2180⁴** for an annual quote

We may decline to quote in some circumstances. Mercedes-Benz Motor Insurance is underwritten by Aviva Insurance Limited

Content relating to finance is promoted by Mercedes-Benz Finance. Your Retailer may offer finance on behalf of other companies.

Orders/credit approvals on selected Mercedes-AMG C-Class Coupé models only, between 1 January and 31 March 2018, registered by 30 June 2018; excluding non-Mercedes-AMG models. Some combinations of features/options may not be available. Please contact your local Mercedes-Benz Retailer for availability

¹Based on a Mercedes-Benz Agility agreement. Vehicle condition, excess mileage and other charges may be payable. Quotations available on request for alternative contract lengths and mileages. Guarantees may be required. Over 18s only.

Credit provided, subject to status, by Mercedes-Benz Finance, MK15 8BA

²Payable if you exercise the option to purchase the car

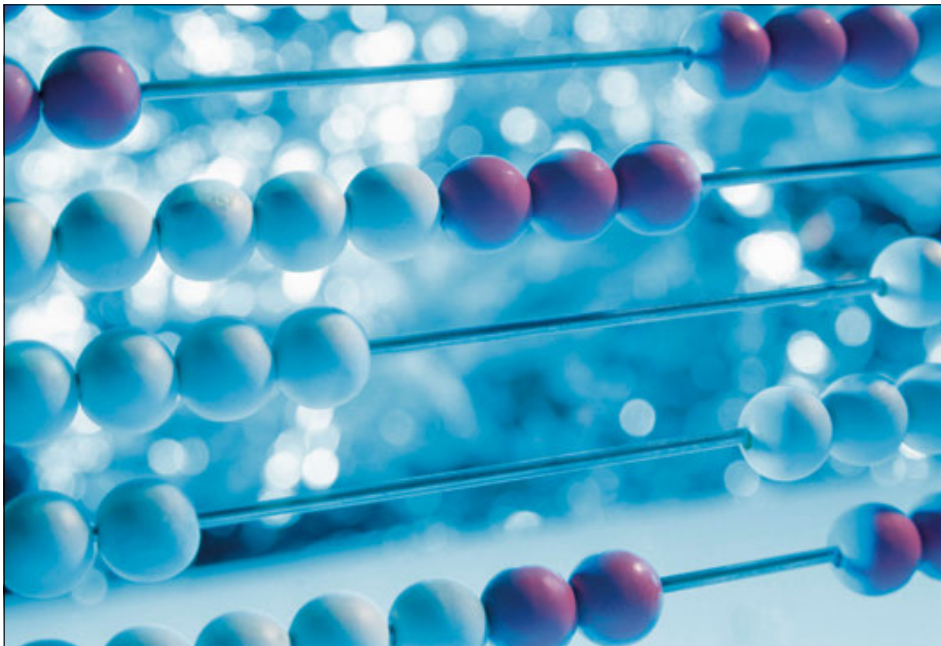
³Includes optional purchase payment, purchase activation fee and Retailer deposit contribution (where applicable)

⁴Calls are charged at local rate and may be recorded



Mercedes-Benz Finance

The finance plan is designed to impress too



C 200 AMG Line Cabriolet with optional metallic paint (representative example)

Based on 10,000 miles per annum

48 monthly payments of ¹	£399.00
Customer deposit	£6,499.00
On-the-road price	£39,125.00
Retailer deposit contribution	£3,239.39
Optional purchase payment ²	£14,625.00
Amount of credit	£29,386.61
Duration of agreement	48 months
Total amount payable ³	£43,525.39
Purchase activation fee ²	£10.00
APR	5.0%
Fixed interest rate	4.90%
Excess mileage	14.4p per mile



**Example offers –
5.0% APR Representative**

	Automatic	Metallic	On-the-road price	Retailer deposit contribution	Customer deposit	48 monthly payments of ¹
C 220 d AMG Line Cabriolet	–	○	£41,595.00	£3,239.39	£7,108.66	£429.00
C 220 d AMG Line Cabriolet	●	○	£43,195.00	£3,239.39	£6,868.89	£459.00

● Standard equipment ○ Optional equipment included in the price

Mercedes-Benz Service Care

- Mercedes-Benz trained Technicians
- Maintained by Mercedes-Benz Retailers
- Meets requirements of Mercedes-Benz Agility finance agreement

Mercedes-Benz Motor Insurance

- 24/7 UK accident recovery
- We use Mercedes-Benz GenuineParts
- To qualify for up to 10% discount online, go to www.mercedes-benz.co.uk/motorinsurance
- Alternatively, call Mercedes-Benz Motor Insurance now on **0345 600 2180⁴** for an annual quote

We may decline to quote in some circumstances. Mercedes-Benz Motor Insurance is underwritten by Aviva Insurance Limited

Content relating to finance is promoted by Mercedes-Benz Finance. Your Retailer may offer finance on behalf of other companies.

Orders/credit approvals on selected C-Class Cabriolet models only, between 1 January and 31 March 2018, registered by 30 June 2018; excluding Mercedes-AMG models. Some combinations of features/options may not be available.

Please contact your local Mercedes-Benz Retailer for availability

¹Based on a Mercedes-Benz Agility agreement. Vehicle condition, excess mileage and other charges may be payable. Quotations available on request for alternative contract lengths and mileages. Guarantees may be required. Over 18s only.

Credit provided, subject to status, by Mercedes-Benz Finance, MK15 8BA

²Payable if you exercise the option to purchase the car

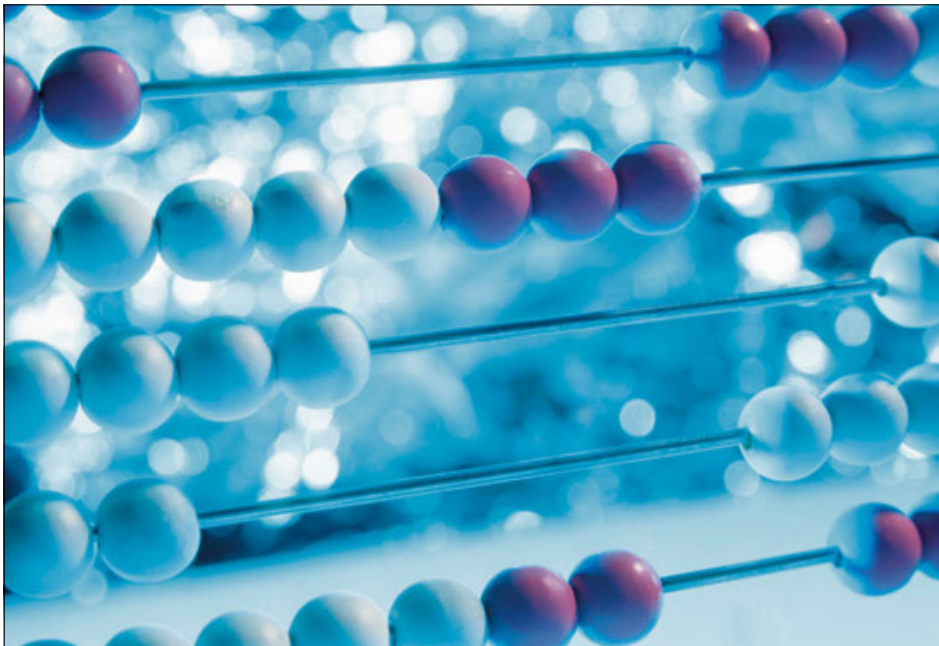
³Includes optional purchase payment, purchase activation fee and Retailer deposit contribution (where applicable)

⁴Calls are charged at local rate and may be recorded



Mercedes-Benz Finance

It comes with a specification list worth exploring



Mercedes-AMG C 43 4MATIC Cabriolet with optional metallic paint (representative example)

Based on 10,000 miles per annum

48 monthly payments of ¹	£679.00
Customer deposit	£7,491.11
On-the-road price	£52,565.00
Optional purchase payment ²	£19,850.00
Amount of credit	£45,073.89
Duration of agreement	48 months
Total amount payable ³	£59,943.11
Purchase activation fee ²	£10.00
APR	5.7%
Fixed interest rate	5.55%
Excess mileage	25.2p per mile



**Example offers –
5.0% APR Representative**

	Automatic	Metallic	On-the-road price	Retailer deposit contribution	Customer deposit	48 monthly payments of ¹
Mercedes-AMG C 63 Cabriolet	●	○	£67,995.00	£3,742.37	£7,999.00	£819.00

● Standard equipment ○ Optional equipment included in the price

Mercedes-Benz Service Care

- Mercedes-Benz trained Technicians
- Maintained by Mercedes-Benz Retailers
- Meets requirements of Mercedes-Benz Agility finance agreement

Mercedes-Benz Motor Insurance

- 24/7 UK accident recovery
- We use Mercedes-Benz GenuineParts
- To qualify for up to 10% discount online, go to www.mercedes-benz.co.uk/motorinsurance
- Alternatively, call Mercedes-Benz Motor Insurance now on **0345 600 2180⁴** for an annual quote

We may decline to quote in some circumstances. Mercedes-Benz Motor Insurance is underwritten by Aviva Insurance Limited

Content relating to finance is promoted by Mercedes-Benz Finance. Your Retailer may offer finance on behalf of other companies.

Orders/credit approvals on selected Mercedes-AMG C-Class Cabriolet models only, between 1 January and 31 March 2018, registered by 30 June 2018; excluding non-Mercedes-AMG models. Some combinations of features/options may not be available. Please contact your local Mercedes-Benz Retailer for availability

¹Based on a Mercedes-Benz Agility agreement. Vehicle condition, excess mileage and other charges may be payable. Quotations available on request for alternative contract lengths and mileages. Guarantees may be required. Over 18s only.

Credit provided, subject to status, by Mercedes-Benz Finance, MK15 8BA

²Payable if you exercise the option to purchase the car

³Includes optional purchase payment, purchase activation fee and Retailer deposit contribution (where applicable)

⁴Calls are charged at local rate and may be recorded



View offers > Coupé
> Cabriolet



Book a test drive > Coupé
> Cabriolet



> Find a Retailer



> View the Range Guide

C-Class Sport





The C-Class Sport carries athletic credentials, with 17" alloy wheels and LED High Performance headlamps. The interior displays an equally strong emphasis on sportiness and comfort: the Cabriolet features the AIRCAP wind deflector and AIRSCARF neck-level heating system as standard, plus an electrically adjustable driver's and front passenger seat with memory function for convenient adjustment; the Coupé offers electro-pneumatic

four-way lumbar support with manual seat cushion depth adjustment for the driver and front passenger. Top-end technology also comes as standard, courtesy of the Garmin® MAP PILOT navigation system, Active Parking Assist including PARKTRONIC and reversing camera.

Exterior

Mirror package – electrically folding mirrors and automatically dimming exterior driver's mirror and rear-view mirror

17" alloy wheels – 5-twin-spoke design

Active Parking Assist including PARKTRONIC and reversing camera

AGILITY CONTROL comfort suspension – lowered by 15 mm

COLLISION PREVENTION ASSIST PLUS

DYNAMIC SELECT with a choice of five driving modes

Headlamps – LED High Performance headlamps with integral LED daytime running lamps

Interior

Memory package

Driver's seat, front passenger seat, steering column and exterior mirrors – electrically adjustable with memory (Cabriolet only)

Seat Comfort package – driver and front passenger seat
Electro-pneumatic four-way lumbar support and manual seat cushion depth adjustment (6 cm) (Coupé only)

AIRCAP – wind deflector and draught-stop (Cabriolet only)

AIRSCARF – neck-level heating system (Cabriolet only)

Ambient lighting (Cabriolet only)²

Audio 20 CD with 7-inch colour display and Media Interface

DAB digital radio tuner

Garmin® MAP PILOT navigation system

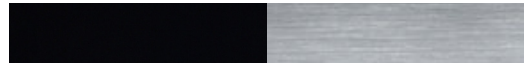
Integral sports seats with ARTICO leather¹ upholstery and heated front seats

Keyless entry and keyless start (Cabriolet only)²

Seat belts – automatic seat-belt presenter for driver and front passenger

Trim and Upholstery

High-gloss black with brushed aluminium



ARTICO leather¹ – black



ARTICO leather¹ – crystal grey



ARTICO leather¹ – saddle brown



ARTICO leather¹ – silk beige



¹Man-made leather ²Cabriolet and automatic transmission only



View offers > Coupé
> Cabriolet



Book a test drive > Coupé
> Cabriolet



> Find a Retailer



> View the Range Guide

C-Class AMG Line



Optional metallic paint finish shown



Optional 19" alloy wheels (code 788) shown





The AMG Line boasts many distinguishing AMG exterior features. They range from the eye-catching diamond grille with integrated star and chrome pins, to AMG bodystyling and visible twin-pipe exhausts, integrated into the rear bumper. You'll also notice 5-spoke 18" AMG alloy wheels painted in titanium grey and perforated front brake discs. Meanwhile, sports suspension and Sports Direct-Steer with speed-sensitive steering ensure excellent on-road performance. The interior reveals integral sports seats and black floor mats with 'AMG' lettering. For a truly sporty driving sensation, there are AMG

sports pedals in brushed stainless steel and a 3-spoke multifunction AMG steering wheel in black leather. For more advanced technology at your fingertips, the Audio 20 CD comes as standard.

AMG Line upgrade – designed and priced as a package, including all Sport equipment plus additional items as listed below.

Upgrade price (from Sport)

Total incl. VAT² £1,495.00

Exterior

- 18" AMG alloy wheels – 5-spoke design, painted titanium grey
- AMG bodystyling – front apron, rear apron and side skirts
- Diamond grille with integrated star – chrome pins
- Sports braking system with perforated front brake discs
- Sports Direct-Steer system with speed-sensitive steering
- Sports suspension

Interior

- AMG sports pedals in brushed stainless steel with rubber studs
- Floor mats – black with 'AMG' lettering
- Roof liner – black
- Silver steering wheel gearshift paddles (automatic transmission only)
- Steering wheel – 3-spoke multifunction AMG steering wheel in black leather with flattened bottom section, chrome inserts and perforated leather in grip area

Trim and Upholstery

Black ash wood with brushed aluminium



ARTICO leather¹ – black



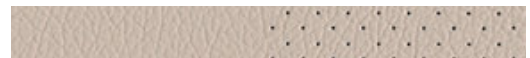
ARTICO leather¹ – crystal grey



ARTICO leather¹ – saddle brown



ARTICO leather¹ – silk beige



¹Man-made leather ²Recommended Retail Price: this price will vary according to engine chosen, due to Road Fund Licence



View offers > Coupé
> Cabriolet



Book a test drive > Coupé
> Cabriolet



> Find a Retailer



> View the Range Guide

Premium and Premium Plus equipment lines



Ambient lighting



KEYLESS-GO Comfort package



Memory package



Panoramic glass sunroof



Burmester® surround sound system



COMAND Online system with touchpad



Why not look over our equipment lines to enhance and personalise your choice of new car? If you want to increase your comfort and add the best in entertainment to the Sport, AMG Line and Mercedes-AMG C 43 4MATIC, the Premium equipment lines do just that.

Premium equipment line (code DP0) – designed and priced as a package, including items as listed below.

Coupé¹

Total incl. VAT £1,695.00

Premium Plus equipment line (code DP1) – designed and priced as a package, including items as listed below.

Coupé¹

Total incl. VAT £2,995.00

Cabriolet²

£1,300.00

Item	Notes	Premium	Premium Plus	
		Coupé (code DP0)	Coupé Cabriolet ¹ (code DP1)	
Ambient lighting	LED lighting located in door trim, side of centre console, front door sills, cup holders, footwells, door handle recesses and overhead panel. Five dimming levels and three colours: solar (amber), polar (ice blue) and neutral (white)	■	■	standard
KEYLESS-GO Comfort package	Offering hands-free access, automatic powered boot closing, keyless entry and keyless start. Includes chrome trim on top half of door handles (Cabriolet with automatic transmission: keyless entry and keyless start only)	■	■	standard
Memory package	Driver's seat, front passenger seat, steering column and exterior mirrors – electrically adjustable with memory	■	■	standard
Panoramic glass sunroof	Consisting of a fixed panoramic glass rear section and an electrically operated sliding glass front section, the glass roof provides additional light and ventilation into the car (Coupé only)	■	■	–
Burmester® surround sound system	13 speakers and a 9-channel amplifier with total output of 590 W (7 × 50 W and 2 × 120 W)	–	■	■
COMAND Online system with touchpad ³	8.4-inch high-resolution colour display, hard disk drive (HDD) navigation with 3D map display, Live Traffic Information and European map data updates free of charge for the first three years. Single CD/DVD, Speed Limit Assist and LINGUATRONIC voice control. Mercedes me connect services, emergency call system (eCall) and access to internet sites when vehicle is stationary, plus unrestricted use of Mercedes-Benz apps (internet-enabled mobile phone required). Integrated WLAN hotspot for onboard access of WLAN-enabled devices. Also includes 10 GB music register and MP3 compatibility	–	■	■



View offers > Coupé
> Cabriolet



Book a test drive > Coupé
> Cabriolet



> Find a Retailer



> View the Range Guide

Mercedes-AMG C 43 4MATIC



Vehicle shown features optional metallic paint (code 197), 19" AMG alloy wheels (code 604), LED Intelligent Light System (code 641)



View offers > Coupé
> Cabriolet



Book a test drive > Coupé
> Cabriolet



> Find a Retailer



> View the Range Guide

Whether it's the Coupé or the Cabriolet, the Mercedes-AMG C 43 4MATIC propels driving dynamics to the next level. AMG Performance 4MATIC all-wheel drive and tailor-made chassis technology provide maximum agility, while the 9G-TRONIC transmission translates the power of the vigorous V6-engine to the tarmac. The muscular exterior with BITURBO 4MATIC lettering on the front wings is fitted with AMG bodystyling including a front apron with distinctive air intakes, AMG side sill panels and an AMG diffuser-look

rear apron. The Mercedes-AMG C 43 4MATIC also boasts a diamond grille with chrome-plated pins and AMG lettering, paired with 18" AMG 5-spoke bicolour alloy wheels. The interior continues the sporty theme with red contrast stitching on the ARTICO leather¹/DINAMICA microfibre sports seats and dashboard, as well as red seat belts combined with a high-gloss black trim and aluminium door inlays. The AMG floor mats with red piping against black leather edging complete the powerful picture.

Exterior

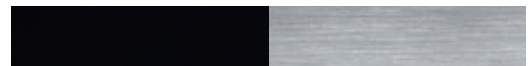
- 18" AMG alloy wheels – 5-spoke design, bicolour
- AMG bodystyling – front apron with distinctive air intakes, AMG side sill panels, AMG rear apron with diffuser look
- AMG lettering in diamond radiator grille
- AMG lettering on front brake calipers
- AMG Performance exhaust system
- AMG spoiler lip in vehicle colour
- Badging – 'BITURBO 4MATIC' lettering on front wings
- Black mirror housings
- Diamond grille with integrated star – chrome pins

Interior

- AMG boot logo in central screen
- ARTICO dashboard with red contrast stitching
- Floor mats – with black leather edging, red piping and AMG logo
- Front door sill panels with 'AMG' lettering
- Seat belts – red
- Upholstery – ARTICO leather¹/DINAMICA microfibre with red contrast stitching

Trim and Upholstery

High-gloss black with aluminium door inlays



ARTICO leather¹ DINAMICA microfibre – black with red contrast stitching



¹Man-made leather



View offers > Coupé
> Cabriolet



Book a test drive > Coupé
> Cabriolet



> Find a Retailer



> View the Range Guide

Mercedes-AMG C 63



Optional 19" AMG alloy wheels (code 601) shown

Nappa leather in red pepper (code 857A), available as a no-cost option, AMG Interior Glass Fibre Trim (code H84)



The Mercedes-AMG C 63 spells power and ambition in its unmistakable way. It features unique 18" AMG 5-spoke alloy wheels and AMG bodystyling with a front apron and splitter in body colour. The AMG Performance exhaust system points to the thrilling V8 engine. For an equally bold statement, the interior is fitted with AMG sports seats clad in nappa leather and combined with a high-gloss black trim with brushed aluminium. The 3-spoke multifunction

AMG performance steering wheel also comes with nappa leather to guarantee a tactile sporty experience. Whenever you're on the road, LED High Performance headlamps with integral LED daytime running lamps help ensure optimum visibility. All the while, you stay in complete control with the AMG instrument cluster and enjoy sophisticated comfort and entertainment features like the COMAND Online multimedia system¹ and ambient lighting.

Exterior

18" AMG 5-spoke alloy wheels, painted titanium grey with high-sheen finish

AMG bodystyling – front apron and splitter in body colour, bonnet, side skirts, fenders and rear diffuser-style apron design

AMG boot lid spoiler in body colour

AMG mechanical rear axle differential lock

AMG Performance exhaust system

Badging – 'V8 BITURBO' lettering on front wings

Brake calipers – silver with 'AMG' lettering

Headlamps – LED High Performance headlamps with integral LED daytime running lamps

Interior

Memory package

Driver's seat, front passenger seat, steering column and exterior mirrors – electrically adjustable with memory

AIRCAP – wind deflector and draught-stop (Cabriolet only)

AIRSCARF – neck-level heating system (Cabriolet only)¹

Ambient lighting – five dimming levels and three colours

AMG instrument cluster

AMG sports seats with nappa leather upholstery

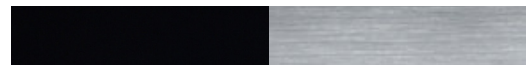
Keyless entry and keyless start (Cabriolet only)

COMAND Online system²

Steering wheel – 3-spoke multifunction AMG performance steering wheel in nappa leather

Trim and Upholstery

High-gloss black with brushed aluminium



Nappa leather – black



Nappa leather – platinum white



Nappa leather – red pepper



¹Omitted in conjunction with AMG Performance seats (code 555) ²COMAND Online functionality and Wi-Fi connectivity is dependent on a compatible cellular data connection. Please check with your local Mercedes-Benz Retailer on network compatibility



View offers > Coupé
> Cabriolet



Book a test drive > Coupé
> Cabriolet



> Find a Retailer



> View the Range Guide

Mercedes-AMG C 63 S



Mercedes-AMG C 63 S: designo iridium silver magno (code 982)/brilliant blue (code 896), 19"/20" AMG cross-spoke forged wheels (code 767), AMG Night package (code P60), AMG Exterior Carbon Fibre package 1 (code 773), AMG Exterior Carbon Fibre package 2 (code B28), LED Intelligent Light System (code 642)



The letter S points to the even greater physical prowess and individual style of the Mercedes-AMG C 63 S. While the engine delivers 34 hp (25 kW) more than the Mercedes-AMG C 63, this model also boasts 5-twin-spoke 19" AMG alloy wheels and AMG bodystyling featuring a front apron with splitter in silver shadow. To suit a more dynamic driving style, AMG electronic rear axle differential locks are fitted as standard. The interior reflects this sporty

persona with nappa leather in a choice of three upholstery colours on AMG Performance seats. You'll also find nappa leather combined with DINAMICA microfibre adorning the 3-spoke multifunction AMG performance steering wheel. For all your multimedia needs, there is the COMAND Online system¹ and a high-resolution 8.4-inch colour display.

Exterior

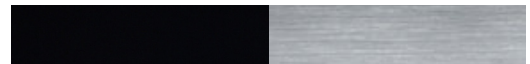
- 19" AMG 5-twin-spoke alloy wheels, painted titanium grey with high-sheen finish
- AMG bodystyling – front apron in high-gloss black with splitter in silver shadow, bonnet, side skirts, fenders and rear diffuser-style apron design
- AMG boot lid spoiler in body colour
- AMG electronic rear axle differential lock
- AMG Performance exhaust system
- Anti-lock braking system (ABS)
- Badging – 'V8 BITURBO' lettering on front wings
- Brake calipers – red
- Headlamps – LED High Performance headlamps with integral LED daytime running lamps

Interior

- Memory package
Driver's seat, front passenger seat, steering column and exterior mirrors – electrically adjustable with memory
- AMG instrument cluster
- AMG Performance seats
- Ambient lighting – five dimming levels and three colours
- AIRCAP – wind deflector and draught-stop (Cabriolet only)
- COMAND Online system¹
- Keyless entry and keyless start (Cabriolet only)
- Mercedes-AMG C 63 S badging at the rear
- Seat belts – crystal grey
- Steering wheel – multifunction AMG performance steering wheel in black nappa leather/DINAMICA microfibre

Trim and Upholstery

High-gloss black with brushed aluminium



Nappa leather – black



Nappa leather – platinum white



Nappa leather – red pepper



¹COMAND Online functionality and Wi-Fi connectivity is dependent on a compatible cellular data connection. Please check with your local Mercedes-Benz Retailer on network compatibility



Premium equipment line for Mercedes-AMG C 63/C 63 S models



Panoramic glass sunroof



LED Intelligent Light System



KEYLESS-GO Comfort package

If you want to enhance the unique Mercedes-AMG experience, opt for the Premium equipment line. It contains advanced features such as Burmester® surround sound system, KEYLESS-GO Comfort package plus a panoramic electric sunroof. LED Intelligent Light System ensures safety and convenience, while the Exclusive package with nappa leather-look dashboard and door beltlines takes sophistication to the next level.

Upgrade price – includes Mercedes-AMG C 63/S standard equipment plus additional items as listed below.

Coupé

Total incl. VAT £2,595.00

Cabriolet

Total incl. VAT £1,295.00

Item	Notes	Premium	
		Coupé	Cabriolet (code DP0)
Exclusive package	Nappa leather-look dashboard and door beltlines in nappa leather-look with contrast stitching	■	■
Burmester® surround sound system	13 speakers and a 9-channel amplifier with total output of 590 W (7 × 50 W and 2 × 120 W)	■	■
LED Intelligent Light System	LED High Performance headlamps, including Active Light System, cornering light function and Adaptive Highbeam Assist	■	■
KEYLESS-GO Comfort package	Hands-free access, automatic powered boot closing, keyless entry and keyless start. Includes chrome trim on top half of door handles (Cabriolet with automatic transmission: keyless entry and keyless start)	■	standard
Panoramic electric sunroof	Fixed panoramic glass rear section and electrically operated sliding glass front section	■	–

Exclusive driver training for Mercedes-AMG C 63 and C 63 S owners

All Mercedes-AMG C 63 and C 63 S customers are invited to a complimentary AMG Driving Academy Training experience at Mercedes-Benz World. With friendly one-to-one tuition from a professional Mercedes-AMG driver,



your training will be personalised to you. You'll push Mercedes-AMG driving performance and your driving skills to the limits on our track and purpose-built low friction dynamic handling facilities.

Through high-speed and adrenaline-fuelled exercises you'll experience oversteer, understeer, slaloms and many more performance driving skills. Designed as part of your ownership experience, this will lay the foundations to master a high-performance vehicle, develop driving skills with maximum enjoyment and prepare you to take full command of your own Mercedes-AMG C 63 or C 63 S.

TERMS AND CONDITIONS

The following only are eligible: the first purchaser/registered keeper of a newly-registered Mercedes-AMG C 63 or C 63 S; the second owner/registered keeper of a Mercedes-AMG purchased from a Mercedes-Benz Retailer, where the vehicle is less than 90 days from registration. The AMG Driving Academy Training experience is the AMG-PERFORMANCE Training as detailed in the further information above and must be booked and taken within six months of delivery of your Mercedes-AMG C 63 or C 63 S; it cannot be exchanged and cannot be transferred for any other driving experience. The Training experience is available Monday to Friday only and is subject to availability. Mercedes-Benz Cars UK Limited reserves the right to amend or withdraw this Training experience. Attendees must hold a full UK driving licence. Attendees will be required to sign the Mercedes-Benz World Driving Risk Acknowledgement prior to undertaking the Training experience. The Training experience is also subject to the Mercedes-Benz World Terms and Conditions, as applicable.



View offers > Coupé
> Cabriolet



Book a test drive > Coupé
> Cabriolet



> Find a Retailer



> View the Range Guide





Pricing summary for model and equipment lines – Coupé

Model	Transmission	Recommended OTR price (£) ¹								
		Sport	Sport Premium	Sport Premium Plus	AMG Line	AMG Line Premium	AMG Line Premium Plus	Mercedes-AMG	Mercedes-AMG Premium	Mercedes-AMG Premium Plus
C 220 d	9G-TRONIC PLUS 9-speed auto.	36,415.00	38,110.00	39,410.00	37,910.00	39,605.00	40,905.00	-	-	-
C 220 d 4MATIC	9G-TRONIC PLUS 9-speed auto.	-	-	-	39,530.00	41,225.00	42,525.00	-	-	-
C 250 d	9G-TRONIC PLUS 9-speed auto.	-	-	-	38,985.00	40,680.00	41,980.00	-	-	-
C 250 d 4MATIC	9G-TRONIC PLUS 9-speed auto.	-	-	-	40,585.00	42,280.00	43,580.00	-	-	-
C 200	7G-TRONIC PLUS 7-speed auto.	33,925.00	35,620.00	36,920.00	35,460.00	37,155.00	38,455.00	-	-	-
C 200 4MATIC	9G-TRONIC PLUS 9-speed auto.	-	-	-	37,360.00	39,055.00	40,355.00	-	-	-
C 300	9G-TRONIC PLUS 7-speed auto.	36,725.00	38,420.00	39,720.00	38,220.00	39,915.00	41,215.00	-	-	-
Mercedes-AMG C 43 4MATIC	9G-TRONIC PLUS 9-speed auto.	-	-	-	-	-	-	47,650.00	49,345.00	50,645.00
Mercedes-AMG C 63	AMG SPEEDSHIFT MCT 7-speed auto.	-	-	-	-	-	-	63,475.00	66,070.00	-
Mercedes-AMG C 63 S	AMG SPEEDSHIFT MCT 7-speed auto.	-	-	-	-	-	-	70,385.00	72,980.00	-

¹The recommended on-the-road price includes the Road Fund Licence applicable to the standard model plus delivery charge (£635.00 incl. VAT), new vehicle registration fee (£55.00) and number plates (£25.00 incl. VAT). VAT is calculated at the standard rate of 20%



Pricing summary for model and equipment lines – Cabriolet

Model	Transmission	Recommended OTR price (£) ¹						
		Sport	Sport Premium Plus	AMG Line	AMG Line Premium Plus	Mercedes-AMG	Mercedes-AMG Premium	Mercedes-AMG Premium Plus
C 220 d	9G-TRONIC PLUS 9-speed auto.	41,015.00	42,315.00	42,510.00	43,810.00	-	-	-
C 220 d 4MATIC	9G-TRONIC PLUS 9-speed auto.	-	-	44,150.00	45,450.00	-	-	-
C 250 d	9G-TRONIC PLUS 9-speed auto.	-	-	43,565.00	44,865.00	-	-	-
C 200	9G-TRONIC PLUS 9-speed auto.	38,545.00	39,845.00	40,040.00	41,340.00	-	-	-
C 300	9G-TRONIC PLUS 9-speed auto.	41,605.00	42,905.00	43,100.00	44,400.00	-	-	-
Mercedes-AMG C 43 4MATIC	9G-TRONIC PLUS 9-speed auto.	-	-	-	-	51,880.00	-	53,180.00
Mercedes-AMG C 63	AMG SPEEDSHIFT MCT 7-speed auto.	-	-	-	-	67,310.00	68,605.00	-
Mercedes-AMG C 63 S	AMG SPEEDSHIFT MCT 7-speed auto.	-	-	-	-	73,770.00	75,065.00	-

¹The recommended on-the-road price includes the Road Fund Licence applicable to the standard model plus delivery charge (£635.00 incl. VAT), new vehicle registration fee (£55.00) and number plates (£25.00 incl. VAT). VAT is calculated at the standard rate of 20%



Standard equipment

Item	Sport	AMG Line	Mercedes-AMG C 43 4MATIC	Mercedes-AMG C 63	Mercedes-AMG C 63 S
Steering, Suspension and Transmission					
AMG electronic rear axle differential lock Complimentary differential oil change required after first 2,000 miles	-	-	-	-	●
AMG mechanical rear axle differential lock Complimentary differential oil change required after first 2,000 miles	-	-	-	●	-
AMG performance 4MATIC with torque distribution of 31:69 (front/rear)	-	-	●	-	-
AMG RIDE CONTROL sports suspension	-	-	●	●	●
AMG SPEEDSHIFT MCT 7-speed automatic sports transmission including RACE START function	-	-	-	●	●
AGILITY CONTROL comfort suspension – lowered by 15 mm	●	-	-	-	-
AGILITY CONTROL sports suspension – lowered by 15 mm	-	●	-	-	-
Driving modes – AMG DYNAMIC SELECT with a choice of AMG-specific driving modes (Comfort, Sport, Sport+, Individual and Race modes for the Mercedes-AMG C 63 S)	-	-	-	●	●
Driving modes – DYNAMIC SELECT with a choice of driving modes (Comfort, ECO, Sport, Sport+, Individual)	●	●	●	-	-
ECO start/stop function	●	●	●	●	●
Steering – AMG 2 stage speed-sensitive sports steering	-	-	●	-	-
Steering – AMG 3 stage speed-sensitive sports steering	-	-	-	●	●
Steering – Direct-Steer speed sensitive steering	●	-	-	-	-
Steering – Sports Direct-Steer system with speed sensitive steering	-	●	-	-	-

Item	Sport	AMG Line	Mercedes-AMG C 43 4MATIC	Mercedes-AMG C 63	Mercedes-AMG C 63 S
Exterior					
Steering column – manually adjustable for height and reach Coupé Cabriolet (manual transmission only)	● ●	● ●	● -	- -	- -
Steering column – electronically adjustable for height and reach (automatic transmission only) Coupé Cabriolet	△ ●	△ ●	△ ●	● ●	● ●
AMG Night package	-	-	-	○	○
Mirror package – electrically folding mirrors and automatically dimming exterior driver’s mirror and rear-view mirror	●	●	●	●	●
AMG bodystyling – front apron, bonnet, side skirts, fenders and rear diffuser-style apron design	-	-	-	●	●
AMG bodystyling – front apron, rear apron and side skirts	-	●	●	-	-
AMG bonnet with powerdomes	-	-	-	●	●
AMG boot lid spoiler in body colour	-	-	●	●	●
AMG lettering in diamond grille	-	-	●	-	-
AMG Performance exhaust system	-	-	●	●	●
Acoustic soft-top – with enhanced climate and noise comfort (Cabriolet only)	●	●	●	●	●



Item	Sport	AMG Line	Mercedes-AMG C 43 4MATIC	Mercedes-AMG C 63	Mercedes-AMG C 63 S
Exterior (continued)					
AIRCAP – wind deflector and draught-stop (Cabriolet only)	●	●	●	●	●
AIRSCARF – neck-level heating system (Cabriolet only)	●	●	●	●	–
Badging – ‘BITURBO 4MATIC’ lettering on front wings	–	–	–	●	●
Badging – ‘V8 BITURBO’ lettering on front wings	–	–	–	●	●
Brake calipers – red with ‘AMG’ lettering	–	–	–	–	●
Brake calipers – silver with ‘AMG’ lettering	–	–	–	●	–
Brake calipers – with ‘AMG’ lettering and perforated front brake discs	–	–	●	–	–
Brake calipers – with ‘Mercedes-Benz’ lettering and perforated front brake discs	–	●	–	–	–
Diamond grille with integrated star – black pins	●	–	–	–	–
Diamond grille with integrated star – chrome pins	–	●	●	–	–
Exterior mirrors – heated and electronically adjustable	●	●	●	●	●
Fuel tank – 66 litres (standard in conjunction with C 300 engine)	–	–	●	●	●
Headlamps – LED High Performance headlamps with integral LED daytime running lamps	●	●	●	●	●
Headlamps – LED Intelligent Light System	○	○	○	○	○
Keyless entry					
Coupé	△	△	△	●	●
Cabriolet (automatic transmission only)	●	●	●	●	●
Rain-sensing windscreen wipers	●	●	●	●	●

Item	Sport	AMG Line	Mercedes-AMG C 43 4MATIC	Mercedes-AMG C 63	Mercedes-AMG C 63 S
Exterior (continued)					
Semi-automatic boot separator (Cabriolet only) Not available with AMG Performance seats	●	●	●	●	–
Sport exhaust system (C 200 and C 300 automatic only)	●	●	–	–	–
Tail lamps – full LED	●	●	●	●	●
Tinted glass all round – green	●	●	●	●	●
Top surround of side windows in polished aluminium	●	●	●	●	●
Visible twin-pipe exhaust trim integrated into rear bumper	–	●	–	–	–
Interior					
Interior Lighting package Lighting of footwells, door handle recesses, as well as rear reading lights (LED) and courtesy lights in all doors	●	●	●	●	●
Memory package Driver’s seat, front passenger seat, steering column and exterior mirrors – electrically adjustable with memory					
Coupé	△	△	△	●	●
Cabriolet	●	●	●	●	●
Seat Comfort package (Coupé only) Electro-pneumatic four-way lumbar support for driver and front passenger seat Manual seat cushion depth adjustment (6 cm)	●	●	●	–	–



Item	Sport	AMG Line	Mercedes-AMG C 43 4MATIC	Mercedes-AMG C 63	Mercedes-AMG C 63 S
Interior (continued)					
Stowage package Including luggage net in boot and folding box under luggage compartment floor	●	●	●	●	●
Ambient lighting LED lighting located in door trim, side of centre console, front door sills, cup holders, footwells, door handle recesses and overhead panel. Five dimming levels and three colours: solar (amber), polar (ice blue) and neutral (white)					
Coupé	△	△	△	●	●
Cabriolet (automatic transmission only)	●	●	●	●	●
AMG instrument cluster	-	-	-	●	●
ARTICO leather ¹ upper dashboard with contrast stitching	-	-	●	●	●
Electric windows (2) – one-touch opening and closing, including obstruction sensors	●	●	●	●	●
Electronic key – chrome surround	●	●	●	●	●
Floor mats – black with ‘AMG’ lettering	-	●	-	●	●
Floor mats – black with ‘AMG’ lettering and red piping	-	-	●	-	-
Front door sill panels with ‘AMG’ lettering	-	-	●	●	●
Front door sill panels with ‘Mercedes-Benz’ lettering	●	●	-	-	-
Gear lever and gear lever gaiter in nappa leather (manual transmission only)	●	●	-	-	-
Gearshift paddle on steering wheel (automatic transmission only)	●	●	●	●	●

Item	Sport	AMG Line	Mercedes-AMG C 43 4MATIC	Mercedes-AMG C 63	Mercedes-AMG C 63 S
Instrument cluster with two tube-design round dials and 5.5-inch TFT multifunction display	●	●	●	●	●
Keyless start (automatic transmission only)					
Coupé	△	△	△	●	●
Cabriolet	●	●	●	●	●
Outside temperature display	●	●	●	●	●
Seats – AMG Performance seats	-	-	○	○	●
Seats – AMG sports seats	-	-	●	●	-
Seats – front, heated	●	●	●	●	●
Seats – front, with electrical height and back adjustment (Coupé only)	●	●	●	-	-
Seats – rear, split folding 40:20:40	●	●	●	●	●
Seats – sports seats with integrated head restraints	●	●	●	-	-
Seat belts – automatic seat-belt presenter for driver and front passenger	●	●	●	●	●
Seat belts – black	●	●	-	●	-
Seat belts – crystal grey	-	-	-	-	●
Seat belts – red	-	-	●	-	-
Sports pedals in brushed stainless steel with rubber studs	-	●	●	●	●
Steering wheel – 3-spoke multifunction AMG Performance steering wheel in black nappa leather /DINAMICA microfibre	-	-	-	-	●



Item	Sport	AMG Line	Mercedes-AMG C 43 4MATIC	Mercedes-AMG C 63	Mercedes-AMG C 63 S
Interior (continued)					
Steering wheel – 3-spoke multifunction AMG steering wheel in black nappa leather	-	-	-	●	-
Steering wheel – 3-spoke multifunction AMG steering wheel in leather with flattened bottom section, chrome inserts and perforated leather in grip area	-	●	-	-	-
Steering wheel – 3-spoke multifunction sports steering wheel in black leather with flattened bottom section, heavily embossed in central grip area, in silver chrome and contrasting topstitching in red	-	-	●	-	-
Steering wheel – 3-spoke, trimmed in leather	●	-	-	-	-
Steering wheel – multifunction with audio and onboard settings control	●	●	●	●	●
Stowage – front centre armrest with stowage compartment	●	●	●	●	●
Stowage – double cupholder in centre console	●	●	●	●	●
Stowage – illuminated glove compartment	●	●	●	●	●
Sun visors with illuminated vanity mirrors	●	●	●	●	●
THERMATIC – automatic climate control, two-zone	●	●	●	●	●

Item	Sport	AMG Line	Mercedes-AMG C 43 4MATIC	Mercedes-AMG C 63	Mercedes-AMG C 63 S
Paint, Trim and Upholstery					
Paint – non-metallic	●	●	●	●	●
Trim – black ash wood with aluminium door trims	-	●	○	○	○
Trim – high-gloss black with aluminium door trims	●	○	●	●	●
Trim – AMG matt carbon fibre	-	-	○	○	-
Upholstery – ARTICO leather ¹	●	●	-	-	-
Upholstery – ARTICO leather ¹ /DINAMICA microfibre with red contrast stitching	-	-	●	-	-
Upholstery – nappa leather	-	-	-	●	●



Item	Sport	AMG Line	Mercedes-AMG C 43 4MATIC	Mercedes-AMG C 63	Mercedes-AMG C 63 S
Safety and Assistance Systems					
AMG high-performance braking system	-	-	-	●	●
Active bonnet – pedestrian safety measure which detects an impact and raises bonnet	●	●	●	●	●
Active Parking Assist including PARKTRONIC The system automatically steers vehicle into parking spaces. Bay and parallel parking capable	●	●	●	●	●
Adaptive Brake Assist with HOLD function and brake-drying function	●	●	●	●	●
Adaptive brake lamps	●	●	●	●	●
Anti-lock braking system (ABS)	●	●	●	●	●
Anti-Theft Protection package – consisting of a break-in and anti-theft alarm system (ATA), interior monitoring and tow-away protection	●	●	●	●	●
ATTENTION ASSIST – can help alert to long journey fatigue	●	●	●	●	●
Automatic child seat recognition sensor	●	●	●	●	●
Central locking with interior switch, automatic locking and crash sensor with emergency opening function	●	●	●	●	●
COLLISION PREVENTION ASSIST PLUS	●	●	●	●	●
Diesel particulate filter (diesel models only)	●	●	-	-	-
Dual-stage airbags – driver and front passenger; sidebags in front seats; driver kneebag; pelvis bag and windowbags for driver, front passenger and rear passengers	●	●	●	●	●

Item	Sport	AMG Line	Mercedes-AMG C 43 4MATIC	Mercedes-AMG C 63	Mercedes-AMG C 63 S
Electric parking brake	●	●	●	●	●
Electronic Stability Programme (ESP®)	●	●	●	●	●
First-aid kit and warning triangle	●	●	●	●	●
ISOFIX child seat attachment points with top tether in rear	●	●	●	●	●
Remote boot release	●	●	●	●	●
Reversing camera	●	●	●	●	●
Service indicator ASSYST	●	●	●	●	●
SPEEDTRONIC cruise control with variable speed limiter	●	●	●	●	●
Sports braking system with larger brake discs	-	-	●	-	-
Status display for rear seat belts in instrument cluster	●	●	●	●	●
TIREFIT with tyre inflation compressor TIREFIT is replaced by run-flat tyres for Coupé AMG Line with 19" AMG multi-spoke alloy wheels (code 665) in conjunction with optional Night package (code P55); and for Mercedes-AMG C 43 4MATIC with 19" 5-twin-spoke alloy wheels (code 604)	●	●	●	●	●
Tyre pressure monitoring system	●	●	●	●	●



Item	Sport	AMG Line	Mercedes-AMG C 43 4MATIC	Mercedes-AMG C 63	Mercedes-AMG C 63 S
Communications and In-Car Entertainment					
AMG Track Pace iOS smartphone app that records vehicle-specific data (e.g. speed, acceleration) as well as lap and sector times for driver analysis. Enables video recordings via smartphone/GoPro to support sharing information via social media networks	-	-	-	-	●
Audio 20 CD including with integrated Media Interface port for iPod® or iPhone®	●	●	●	-	-
Bluetooth® interface for hands-free function	●	●	●	●	●
COMAND Online system ¹ Hard disk drive (HDD) navigation with 3D map display, Live Traffic Information and European map data updates free of charge for the first three years. Single CD/DVD, Speed Limit Assist and LINGUATRONIC voice control. Access to internet sites when vehicle is stationary, plus unrestricted use of Mercedes-Benz apps (internet-enabled mobile phone required). Integrated WLAN hotspot for onboard access of WLAN-enabled devices. Also includes 10 GB music register and MP3 compatibility	△	△	△	●	●
DAB digital radio tuner	●	●	●	●	●
Garmin® MAP PILOT navigation system Operation via controller or voice control. Full screen maps accessed via SD-card and shown on the multimedia system's display with navigation instructions in the instrument cluster. Spoken instructions are emitted through vehicle's built-in speakers, software and map updates are available online	●	●	●	-	-
High-resolution 7-inch multimedia colour display	●	●	●	-	-
High-resolution 8.4-inch multimedia colour display	△	△	△	●	●




Item	Sport	AMG Line	Mercedes-AMG C 43 4MATIC	Mercedes-AMG C 63	Mercedes-AMG C 63 S
Mercedes me connect (Remote Online) Onboard use of the remote and location services, e.g. geographic vehicle monitoring, vehicle location, remote door locking and unlocking, remote interrogation of vehicle status. Remote Online subscription services are limited to three years from initial registration, and can be extended at additional cost	△	△	△	●	●
Mercedes me connect (standard services) Including emergency call system (eCall), accident recovery, breakdown and maintenance management	●	●	●	●	●
Pre-wiring for Garmin® MAP PILOT navigation system	●	●	●	-	-
Radio aerial integrated into rear window	●	●	●	●	●
Speakers with Frontbass	●	●	●	●	●
Two USB ports and one SD card slot in centre console	●	●	●	●	●

● Standard ○ Optional - Not available △ Available only as part of optional Premium or Premium Plus equipment lines (code DP0 and DP1)




¹COMAND Online functionality and Wi-Fi connectivity is dependent on a compatible cellular data connection. Please check with your local Mercedes-Benz Retailer on network compatibility



A revolution in style




Item	Notes								Basic RRP excl. VAT (£)	Total RRP incl. VAT (£)
Wheels										
17" alloy wheels (4) – 5-twin-spoke design, painted himalaya grey 225/50 tyres			R48	●	-	-	-	-	-	-
				Sport	AMG Line	Mercedes-AMG C 43 4MATIC	Mercedes-AMG C 63	Mercedes-AMG C 63 S		
18" AMG alloy wheels (4) – 5-spoke design, painted titanium grey front: 225/45 tyres rear: 245/40 tyres	Not in conjunction with optional Night package (code P55)		782	-	●	-	-	-	-	-
18" AMG alloy wheels (4) – 5-spoke design, bicolour front: 225/45 tyres rear: 245/40 tyres	For AMG Line: only on Coupé and in conjunction with optional Night package (code P55)		661 792	-	-	△	-	-	Included in Night package	
				-	-	●	-	-	-	-



Item	Notes							Basic RRP excl. VAT (£)	Total RRP incl. VAT (£)
Wheels (continued)									
19" AMG alloy wheels (4) – multi-spoke design, painted titanium grey front: 225/40 tyres rear: 255/35 tyres	TIREFIT is replaced by run-flat tyres. Not in conjunction with optional Night package (code P55)		788	-	○	-	-	495.83	595.00
19" AMG alloy wheels (4) – multi-spoke design, painted black front: 225/40 tyres rear: 255/35 tyres	Only in conjunction with optional Night package (code P55). TIREFIT is replaced by run-flat tyres		665	-	○	-	-	495.83	595.00
19" AMG alloy wheels (4) – 5-twin-spoke design, bicolour front: 225/40 tyres rear: 255/35 tyres	TIREFIT is replaced by run-flat tyres		604	-	-	○	-	495.83	595.00


Sport
AMG Line
Mercedes-AMG C 43 4MATIC
Mercedes-AMG C 63
Mercedes-AMG C 63 S



Item	Notes		Sport	AMG Line	Mercedes-AMG C 43 4MATIC	Mercedes-AMG C 63	Mercedes-AMG C 63 S	Basic RRP excl. VAT (£)	Total RRP incl. VAT (£)
Wheels (continued)									
18" AMG alloy wheels (4) – 5-twin-spoke design, painted titanium grey front: 255/40 tyres rear: 285/35 tyres			609	-	-	-	●	-	-
19" AMG alloy wheels (4) – 5-twin-spoke design, painted titanium grey front: 255/35 tyres rear: 285/30 tyres	Red brake calipers only with Mercedes-AMG C 63 S		601	-	-	-	○	-	495.83
				-	-	-	●	-	-
19"/20" AMG alloy wheels (4) – forged cross-spoke design, painted titanium grey front: 255/35 tyres rear: 285/30 tyres	Red brake calipers only with Mercedes-AMG C 63 S		766	-	-	-	○	-	1,875.00
				-	-	-	○	-	1,133.33

● Standard ○ Optional - Not available



Item	Notes		767	Sport	AMG Line	Mercedes-AMG C 43 4MATIC	Mercedes-AMG C 63	Mercedes-AMG C 63 S	Basic RRP excl. VAT (£)	Total RRP incl. VAT (£)
Wheels (continued)	Red brake calipers only with Mercedes-AMG C 63 S			-	-	-	-	○	-	2,083.33
			-	-	-	-	○	-	1,445.83	1,735.00



Lane Tracking package



Blind Spot Assist



Lane Keeping Assist

The Lane Tracking package includes Blind Spot Assist and Lane Keeping Assist – highly intelligent features to help you stay safe on the road by making the drive more effortless, and to alert you to any emergency.

Lane Tracking package (code 22P) – designed and priced as a package, including items as listed below.

All models

Total incl. VAT £595.00

Lane Tracking package comprises:

Blind Spot Assist

Visible warning in exterior mirrors if vehicle is detected in the blind spot. Audible warning if indicating to move out of lane when a vehicle is detected in the blind spot

Lane Keeping Assist

Vibrates the steering wheel when detecting unintentional drifting out of lane



View offers > Coupé
> Cabriolet



Book a test drive > Coupé
> Cabriolet



> Find a Retailer



> View the Range Guide

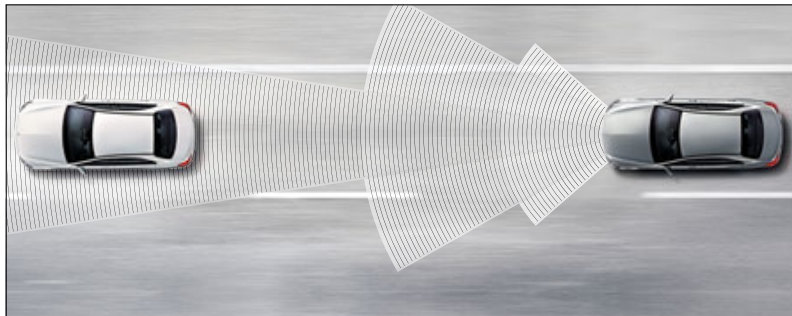
Driving Assistance package

The Driving Assistance package contains a range of highly intelligent features to help you stay safe on the road – by making the drive more effortless, by warning of danger, and by taking steps to protect you in an emergency. It includes Active Blind Spot Assist, Active Lane Keeping Assist, BAS PLUS with Cross-Traffic Assist, DISTRONIC PLUS with Steering Assist and Stop&Go Pilot, and the PRE-SAFE® anticipatory safety system.

Driving Assistance package (code DP2) – designed and priced as a package, including items as listed.

All models: only available with automatic transmission

Total incl. VAT £1,695.00



DISTRONIC PLUS

Driving Assistance package comprises:

Active Blind Spot Assist

Displays a warning light in the exterior mirrors if another vehicle is detected in the blind spot. If a lane change is attempted with another vehicle in the blind spot, the system warns the driver and helps prevent an imminent collision by one-sided braking intervention

Active Lane Keeping Assist

Detects signs of inadvertent drifting out of lane and warns the driver by vibrating the steering wheel and, if necessary, triggers one-sided braking intervention

BAS PLUS with Cross-Traffic Assist

If a critical situation is recognised and the driver applies the brakes, BAS PLUS can increase the brake pressure according to the situation, ideally preventing a collision with other vehicles or pedestrians

DISTRONIC PLUS with Steering Assist and Stop&Go Pilot

DISTRONIC PLUS is a radar assisted cruise control that helps the driver to maintain a safe distance from the vehicle ahead, even when braking to a stand-still. Steering Assist tracks road markings and the path of the vehicle ahead to keep the vehicle on track

PRE-SAFE® Brake with pedestrian detection

When the danger of a collision with another vehicle or a pedestrian is recognised, PRE-SAFE® Brake gives the driver a visual and acoustic warning. If there is no reaction, the system can reduce the vehicle speed autonomously – right up to full emergency braking

PRE-SAFE® PLUS

Initiates occupant prevention measures if a rear-end collision is imminent, including activating the hazard lights, reversible belt tensioning, adjustment of passenger seat positions and closure of windows



Night package



How to lend your C-Class dramatic effect? Simply add the Night package. Exclusively available for the C-Class Coupé, 18" 5-twin-spoke bicolour alloy wheels with further design details in high-gloss black add a distinct character to the exterior.

Night package (code P55) – designed and priced as a package, including items as listed below.

AMG Line Coupé and

Mercedes-AMG C 43 4MATIC Coupé

Total incl. VAT £595.00

Night package comprises:

18" alloy wheels (4) – 5-twin-spoke design, bicolour (code 792)

Beltline trim strip and window weatherstrip in high-gloss black

Black tailpipe trim in twin-tailpipe design (Mercedes-AMG C 43 4MATIC only)

Exterior mirrors painted in black

Front apron with trim in high-gloss black

Privacy glass from the B-pillar

Rear apron with diffuser in high-gloss black





View offers > Coupé
> Cabriolet



Book a test drive > Coupé
> Cabriolet



> Find a Retailer



> View the Range Guide

Optional equipment



Privacy glass



LED Intelligent Light System (standard with Premium equipment line for Mercedes-AMG)



Head-up display



Item	Notes		Sport	AMG Line	Mercedes-AMG C 43 4MATIC	Mercedes-AMG C 63	Mercedes-AMG C 63 S	Basic RRP excl. VAT (£)	Total RRP incl. VAT (£)
AMG Performance Studio									
AMG Driver's package Includes an increase to your vehicle's electronically limited top speed (180 mph) and participation in one of the AMG BASIC-Training 'Power and Passion' events. The event is run by the AMG Driving Academy and held at a racetrack located in mainland Europe	For further information on this or any other AMG Driving Academy training, please speak to your Retailer, or visit www.mercedes-amg.com/driving-academy	250	-	-	-	○	-	2,295.83	2,755.00
			-	-	-	-	○	637.50	765.00
AMG Exterior Carbon Fibre package 1 Carbon fibre insert in rear apron Front apron in carbon fibre Side panels with carbon fibre inserts	Coupé only	773	-	-	-	○	○	2,808.33	3,370.00
AMG Exterior Carbon Fibre package 2 AMG carbon fibre exterior mirror housing AMG carbon fibre spoiler lip	Coupé only	B28	-	-	○	○	○	1,050.00	1,260.00
AMG Interior Carbon Fibre Trim package Analogue clock Centre console in carbon fibre optic Door panels in aluminium trim		H73	-	-	○	○	○	583.33	700.00
AMG Interior Glass Fibre Trim package Analogue clock Centre console in matt glass fibre optic Door panels in aluminium trim		H84	-	-	○	○	○	583.33	700.00



Item	Notes		Sport	AMG Line	Mercedes-AMG C 43 4MATIC	Mercedes-AMG C 63	Mercedes-AMG C 63 S	Basic RRP excl. VAT (£)	Total RRP incl. VAT (£)
AMG Performance Studio (continued)									
AMG Night package AMG exhaust system with two black chrome-plated twin tailpipe trim elements AMG side sill panel inserts in high-gloss black Beltline trim strip and window surround in high-gloss black (Coupé only) Exterior mirror housings in high-gloss black Front apron in high-gloss black Privacy glass (Coupé only) Rear apron trim strip in high-gloss black		P60	-	-	-	○	○	487.50	585.00
AMG high-performance ceramic composite braking system		B07	-	-	-	-	○	3,570.83	4,285.00
AMG Performance seats Cushion depth adjustment Pneumatically adjustable seat side bolsters Steep seat angle and optimum lateral support for dynamic driving	For Mercedes-AMG C 43 4MATIC only in conjunction with upholstery code 241A. For Cabriolets: when selecting AMG Performance seats, AIRSCARF is omitted	555	-	-	○	○	●	1,170.83	1,405.00
Head-up display Projects key driver information such as vehicle speed, navigation tips, speed limits as virtual colour image (21 × 7 cm) into the driver's field of vision. Special light sensors adjust the brightness of the heads-up display to ensure good visibility without distraction. The display is easily height adjustable		463	-	-	○	○	○	687.50	825.00



Item	Notes		Sport	AMG Line	Mercedes-AMG C 43 4MATIC	Mercedes-AMG C 63	Mercedes-AMG C 63 S	Basic RRP excl. VAT (£)	Total RRP incl. VAT (£)
Suspension									
AIRMATIC Dynamic Handling package Enhances the ability to tailor the driving experience by combining suspension set-up with each of the driving modes accessed via the DYNAMIC SELECT switch Self-levelling suspension can be raised by 25 mm to increase ground clearance and automatically lowers by up to 15 mm at high speeds to help reduce aerodynamic drag and improve handling stability Variable damper control, which optimises damping at each wheel to suit the speed and road conditions		483	○	○	-	-	-	745.83	895.00
Exterior									
360° camera Four networked cameras in front grille, wing mirrors and boot capture a 360° bird's-eye view of vehicle's immediate surroundings		501	○	○	○	○	○	279.17	335.00
Fuel tank – 66 litres	Standard in conjunction with C300 engine	916	-	-	●	●	●	37.50	45.00
Headlamps – LED Intelligent Light System Automatically adapts light intensity appropriately to weather, lighting and speed. Integrated High beam Assist automatically adjusts the high and low beam to the traffic situation. The cornering function automatically pivots headlamps into upcoming bends to ensure maximal visibility. The 'coming home' function lets the front headlamps illuminate blue when opening and closing the vehicle via key	Included in Premium equipment line (code DP0) on Mercedes-AMG C 63/S	641	○	○	○	○	○	454.17	545.00



Item	Notes		Sport	AMG Line	Mercedes-AMG C 43	4MATIC	Mercedes-AMG C 63	Mercedes-AMG C 63 S	Basic RRP excl. VAT (£)	Total RRP incl. VAT (£)
Exterior (continued)										
Privacy glass Includes side windows rear of B-pillar and rear windscreen	Coupé only. Included in Night package (code P55) and AMG Night package (code P60)	840	○	○	○	○	○	○	320.83	385.00
Soft-top in brown	Cabriolet only	741	○	○	○	○	○	○		no-cost option
Soft-top in dark blue	Cabriolet only	744	○	○	○	○	○	○		no-cost option
Soft-top in red	Cabriolet only	742	○	○	○	○	○	○		no-cost option
Tow bar, manually folding – includes 13-pin socket When ordering please discuss with your Retailer any specific electrical towing requirements	Excludes 7-pin adapter. When ordered with Premium equipment line (code DP0) or Premium Plus equipment line (code DP1) hands-free access (code 871) is removed	550	○	○	-	-	-	-	625.00	750.00
Paint, Trim and Upholstery										
Paint – metallic		1	○	○	○	○	○	○	570.83	685.00
Paint – designo diamond white metallic		799	○	○	○	○	○	○	745.83	895.00
Paint – designo hyacinth red metallic	Please check availability with your Retailer	996	○	○	○	-	-	-	745.83	895.00
Paint – designo white metallic (Cabriolet only)		049	-	-	-	○	○	○	1,495.83	1,795.00
Paint – designo iridium silver magno (Coupé only)		982	-	-	-	○	○	○	1,495.83	1,795.00
Paint – designo selenite grey magno Coupé Cabriolet		297	○	○	○	○	○	○	1,495.83	1,795.00



Item	Notes		Sport	AMG Line	Mercedes-AMG C 43 4MATIC	Mercedes-AMG C 63	Mercedes-AMG C 63 S	Basic RRP excl. VAT (£)	Total RRP incl. VAT (£)
Paint, Trim and Upholstery (continued)									
Trim – black ash wood with aluminium door trims	Analogue clock only with automatic transmission	736	-	●	○	○	○	162.50	195.00
Trim – high-gloss black with aluminium door trims		739	●	○	●	●	●	no-cost option	
Upholstery – leather		-	○	○	○	-	-	662.50	795.00
Upholstery – platinum white nappa leather		851A	-	-	-	○	○	no-cost option	
Upholstery – red pepper nappa leather		857A	-	-	-	○	○	no-cost option	
Communications and In-Car Entertainment									
Mercedes me connect (Remote Online) Onboard use of the remote and location services, e.g. geographic vehicle monitoring, vehicle location, remote door locking and unlocking, remote interrogation of vehicle status. Remote Online subscription services are limited to three years from initial registration, and can be extended at additional cost	Standard in conjunction with COMAND Online system – part of the Premium Plus equipment line (code DP1)	11U	○	○	○	●	●	125.00	150.00
Smartphone integration via Android Auto or Apple CarPlay™ Please check on www.android.com/intl/en_uk/auto/ and www.apple.com/uk/ios/carplay/ for compatibility and approved apps. Certain features and apps require a 3G or 4G data connection. Control of features available through voice control and controller on centre console	Not available with COMAND Online system	14U	○	○	○	-	-	245.83	295.00



Item	Notes	Sport	AMG Line	Mercedes-AMG C 43 4MATIC	Mercedes-AMG C 63	Mercedes-AMG C 63 S	Basic RRP excl. VAT (£)	Total RRP incl. VAT (£)	
Service Package									
<p>Service Care</p> <p>Service Care allows you to spread the cost of servicing your new car in the Mercedes-Benz Retailer network. Taking out a Service Care plan ensures your servicing needs are taken care of by fully trained Mercedes-Benz Technicians with the added benefit of a Mercedes-Benz service history</p>	<p>Price is based on a monthly rate. Example given is for two services taken over 24 months or three services over 36 months. Further payment options are available. New Service Care prices apply only to vehicles up to 12 months old prior to first service</p>	1	○	○	○	-	-	29.17	35.00
			-	-	-	○	○	37.50	45.00



Genuine Accessories

We've developed a range of Accessories you can add to help personalise and enhance your C-Class. Your local Mercedes-Benz Retailer can advise on fitting costs of Accessories, where applicable. Further information on our full range of Genuine Accessories can be found on the Mercedes-Benz UK website.

01 | Valve caps

Set of 4 decorative chrome caps for valves. Star logo embossed on front, under transparent plastic. Also suitable for tyre pressure monitoring valves.

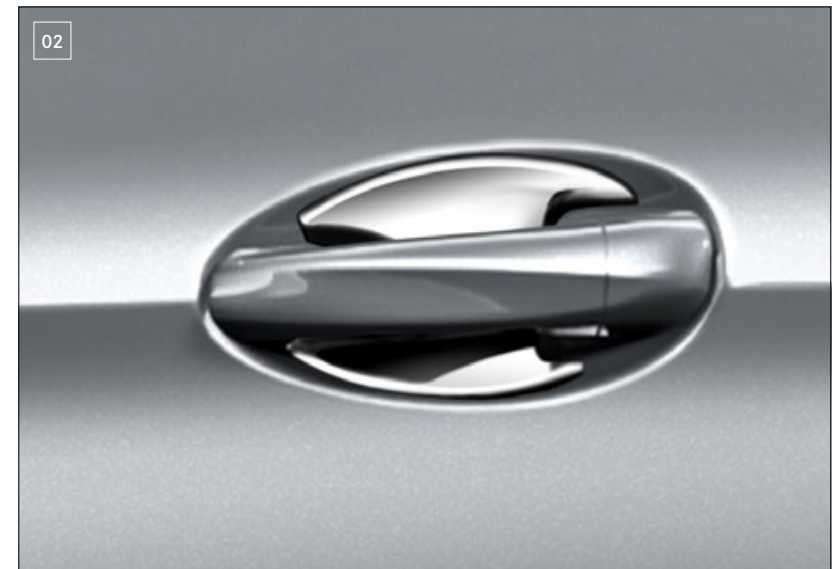
RRP £15.12 (incl. VAT)



02 | Door handle recess

High-sheen door handle recesses in chrome design. Protects the recess behind the door handle from scratches and offers a high-quality, individual look.

RRP £40.68 (incl. VAT), excluding fitting





View offers > Coupé
> Cabriolet



Book a test drive > Coupé
> Cabriolet



> Find a Retailer



> View the Range Guide

03 | Luggage net

Prevents lightweight objects from sliding around during the journey. The net is in pocket format.

RRP £51.72 (incl. VAT)



04 | All-season floor mats

Robust, washable synthetic material, designed for heavy use. Latest design with recessed areas and raised edge. With distinctive Mercedes-Benz star logo. Price for front and rear mats.

RRP £92.56 (incl. VAT)





View offers > Coupé
> Cabriolet



Book a test drive > Coupé
> Cabriolet



> Find a Retailer



> View the Range Guide



05 | Concertina load sill protector

Protects the rear of the car from scratches when you're loading the vehicle – and prevents dirt from the car from getting onto your clothes. Practical design – can be connected to a shallow boot tub or reversible mat.

RRP £41.53 (incl. VAT)

06 | Shallow boot tub

Made from impact-resistant, non-slip polypropylene. Suitable for transporting shopping. Structured surface holds separately available stowage crate in place. Vehicle's load-securing rings remain accessible.

RRP £84.60 (incl. VAT)



View offers > Coupé
> Cabriolet



Book a test drive > Coupé
> Cabriolet



> Find a Retailer



> View the Range Guide



07 | Basic carrier bars

Aluminium carrier bars, precision-tailored to the body of your Mercedes-Benz – the perfect basis for a range of Mercedes-Benz transport accessories such as bicycle rack or roof boxes. Aerodynamic Mercedes-Benz design with optimised noise level. Crash-tested. Lockable.

RRP £217.20 (incl. VAT)

08 | Sports pedals

For a sporty look – the pedal covers, in brushed stainless steel, add a sporty, high-quality touch to the interior. These genuine accessories feature a non-slip rubber stud inlay and comply with Mercedes-Benz's safety standards. Available for both manual and automatic models.

RRP from £73.80 (incl. VAT)

09 | Folding draught stop

The draught stop protects against draughts in the front and makes driving with the top down possible even at higher speeds and cooler temperatures. It's installed above the rear seats and can be removed again at any time, to be stowed away in its protective cover in the boot. Cabriolet only.

RRP £280.80 (incl. VAT), excluding fitting



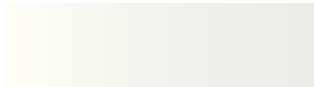
Colours and materials

Non-metallic paints

Standard



040 black¹



149 polar white

Metallic paints

Optional



197 obsidian black



896 brilliant blue



775 iridium silver



988 diamond silver¹



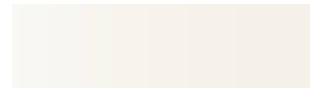
890 cavansite blue¹



992 selenite grey

Special paints

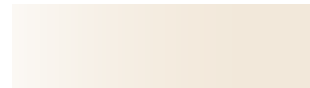
Additional-cost option



049U designo cashmere white²



297 designo selenite grey magno



799 diamond white



982 designo iridium silver magno



996 designo hyacinth red metallic¹

Soft-top colours



740 black



741 dark brown



742 dark red



744 dark blue

¹Not available for Mercedes-AMG C 63/S models ²Cabriolet only

Please note that, owing to limitations of on-screen representation, paint colours may differ from those shown



ARTICO man-made leather
Sport/AMG Line (standard)



101A black



118A crystal grey¹



124A saddle brown¹



105A silk beige¹

**ARTICO man-made leather/
DINAMICA microfibre**
Mercedes-AMG C 43 4MATIC (std)



641A black with red contrast stitching

Leather
Sport/AMG Line/Mercedes-AMG C 43
4MATIC (additional-cost option)



201A black²



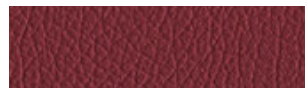
218A crystal grey



224A saddle brown



225A porcelain



227A cranberry red



241A black with red
contrast stitching^{3, 4}

Nappa leather
Mercedes-AMG C 63/S
(standard)



801A/811A/861A black



851A platinum white¹

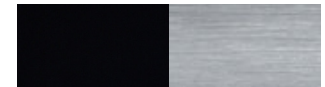


857A red pepper¹

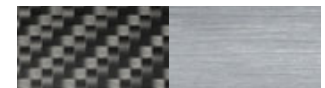
Trim
Standard and optional⁵



736 black ash wood with
brushed aluminium



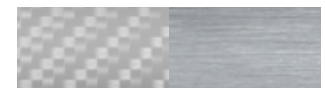
739 high-gloss black with
brushed aluminium



H73 carbon fibre with
brushed aluminium



H77 AMG matt black carbon fibre trim



H84 glass fibre with
brushed aluminium

¹No-cost option ²Not available for Mercedes-AMG C 43 4MATIC ³Only available for Mercedes-AMG C 43 4MATIC ⁴Only available with Premium or Premium Plus equipment line (code DP0 and code DP1)

⁵For detailed availability please refer to optional equipment section from page 56



Trim and upholstery combinations

	Sport/AMG Line				Mercedes-AMG C 43 4MATIC	Mercedes-AMG C 63/S		
	ARTICO ¹				ARTICO ¹ /DINAMICA ²	Nappa leather		
	black (101A)	crystal grey (118A)	saddle brown (124A)	silk beige (105A)	black/red contrast stitching (641A)	black (801A/811A) [861/964]	platinum white (851A)	red pepper (857A)
Dashboard								
Steering wheel	black	black	black	black	black	black	black	black
Upper dashboard trim	black	black	black	black	black/red ³	black	black	black
Lower dashboard trim	black	crystal grey	black	silk beige	black	black	black	black
Seats								
Seat cushion centre section	black	crystal grey	saddle brown	silk beige	black/red ³	black	platinum white	red pepper
Side bolster trim	black	crystal grey	saddle brown	silk beige	black/red ³	black [brown]	black	black
Head restraint	black	crystal grey	saddle brown	silk beige	black/red ³	black [brown]	black	black
Seat belt	black	crystal grey	black	silk beige	red	black/crystal grey ⁵	black/crystal grey ⁵	black
Doors								
Door trim at beltline	black	black	black	black	black/red ³	black	black	black
Door centre panel	black	crystal grey	saddle brown	silk beige	black/red ³	black [brown]	black	red pepper
Roof liner	crystal grey (black ⁶)	crystal grey (black ⁶)	black	black	black	black	black	black
Parcel shelf	crystal grey (black ⁶)	crystal grey (black ⁶)	black	black	black	black	black	black
Floor covering								
Front and rear	black	black	black	silk beige	black	black	black	black

¹Man-made leather ²Microfibre ³Contrast stitching ⁴Cabriolet ⁵Dependent on roof liner colour ⁶Standard on AMG Line



Combination options

		ARTICO leather ¹ Sport/AMG Line					ARTICO leather/ DINAMICA microfibre Mercedes-AMG C43 4MATIC					Leather Sport/AMG Line/ Mercedes-AMG C43 4MATIC							Nappa leather Mercedes-AMG C63/S		
		black	crystal grey	saddle brown	silk beige		black with red contrast stitching		black	crystal grey	saddle brown	porcelain	cranberry red	black with red contrast stitching		black	platinum white	red pepper			
Non-metallic paints (standard)																					
	040 black	●	●	●	●	●	●	●	●	●	●	●	●	-	-	-					
	149 polar white	●	●	●	●	●	●	●	●	●	●	●	●	●	●	●					
Metallic paints (optional)																					
	197 obsidian black	●	●	●	●	●	●	●	●	●	●	●	●	●	●	●					
	775 iridium silver	●	●	●	●	●	●	●	●	●	●	●	●	●	●	●					
	890 cavansite blue	●	●	●	●	●	●	●	○	○	●	●	●	-	-	-					
	896 brilliant blue	●	●	●	●	●	●	●	●	△	●	●	●	●	△						
	988 diamond silver	●	●	●	●	●	●	●	○	●	●	●	●	-	-	-					
	992 selenite grey	●	●	●	●	●	●	●	●	●	●	●	●	●	●	●					
Special paints (additional-cost option)																					
	049 designo cashmere white	-	-	-	-	-	-	-	-	-	-	-	●	●	●						
	297 designo selenite grey magno	●	●	●	●	●	●	●	●	●	●	●	●	●	●						
	799 designo diamond white	●	●	●	●	●	●	●	●	●	●	●	●	●	●						
	982 designo iridium silver magno	-	-	-	-	-	-	-	-	-	-	-	●	●	●						
	996 designo hyacinth red metallic	●	●	△	○	●	●	●	△	○	●	●	-	-	-						

● Recommended ○ Possible △ Not recommended - Not available ¹Man-made leather

Please note that, owing to limitations of on-screen representation, paint colours may differ from those shown



Technical data – Coupé

Model	Diesel engines				Petrol engines					
	C 220 d	C 220 d 4MATIC	C 250 d	C 250 d 4MATIC	C 200	C 200 4MATIC	C 300	Mercedes-AMG C 43 4MATIC	Mercedes-AMG C 63 [S]	
Engine										
Total displacement	cc	2,143	2,143	2,143	2,143	1,991	1,991	1,991	2,996	3,982
Arrangement/cylinders/valves		in-line/4/16	in-line/4/16	in-line/4/16	in-line/4/16	in-line/4/16	in-line/4/16	in-line/4/16	V/6/24	V/8/32
Fuel delivery		Common-rail diesel with twin turbochargers	Common-rail diesel with twin turbochargers	Common-rail diesel with twin turbochargers	Common-rail diesel with twin turbochargers	Electronically controlled direct injection	Electronically controlled direct injection	Electronically controlled direct injection	Electronically controlled direct injection	Electronically controlled direct injection with biturbo
Power ¹	hp (kW) at rpm	170 (125)/ 3,000-4,200	170 (125)/ 3,000-4,200	204 (150)/ 3,800	204 (150)/ 3,800	184 (135)/ 5,500	184 (135)/ 5,500	245 (180)/ 5,500	367 (270)/ 5,500-6,000	476 (350)/ 5,500-6,250 [510 (375)/ 5,500-6,250]
Torque ¹	Nm at rpm	400/ 1,400-2,800	400/ 1,400-2,800	500/ 1,600-1,800	500/ 1,600-1,800	300/ 1,200-4,000	300/ 1,200-4,000	370/ 1,300-4,000	520/ 2,000-4,200	650/ 1,750-4,500 [700/ 1,750-4,500]
Compression ratio		16.2:1	16.2:1	16.2:1	16.2:1	9.8:1	9.8:1	9.8:1	10.5:1	10.5:1



Model	Diesel engines				Petrol engines				
	C 220 d	C 220 d 4MATIC	C 250 d	C 250 d 4MATIC	C 200	C 200 4MATIC	C 300	Mercedes-AMG C 43 4MATIC	Mercedes-AMG C 63 [S]

Transmission

6-speed manual ²	●	-	-	-	●	-	-	-	-
9G-TRONIC PLUS 9-speed auto. ²	○	●	●	●	○	●	●	●	-
AMG SPEEDSHIFT MCT 7-speed automatic sports transmission ²	-	-	-	-	-	-	-	-	●

Tyre sizes

Front	225/50 R 17	225/50 R 17	225/50 R 17	225/50 R 17	225/50 R 17	225/50 R 17	225/50 R 17	225/45 R 18	255/40 R 18 [255/35 R 19]
Rear	225/50 R 17	225/50 R 17	225/50 R 17	225/50 R 17	225/50 R 17	225/50 R 17	225/50 R 17	245/40 R 18	285/35 R 18 [285/30 R 19]

Performance

		man.	auto.	auto.	auto.	auto.	man.	auto.	auto.	auto.	auto.	auto.
Acceleration 0-62 mph	sec	7.8	7.5	7.6	6.7	6.9	7.7	7.3	7.5	6.0	4.7	4.0 [3.9]
Top speed	mph	145	145	143	153	149	147	146	142	155 ³	155 ³	155 ³



Model	Diesel engines					Petrol engines						
	C 220 d	C 220 d 4MATIC	C 250 d	C 250 d 4MATIC	C 200	C 200 4MATIC	C 300	Mercedes-AMG C 43 4MATIC	Mercedes-AMG C 63 [S]			
Weights and capacities	man.	auto.	auto.	auto.	auto.	man.	auto.	auto.	auto.	auto.	auto.	
Kerb weight ⁴	kg	1,605	1,615	1,670	1,645	1,685	1,505	1,525	1,595	1,565	1,735	1,785 [1,800]
Perm. Gross Vehicle Weight	kg	2,085	2,095	2,150	2,125	2,165	1,985	2,005	2,075	2,045	2,185	2,155 [2,160]
Towing capacity - unbraked/ braked	kg	750/ 1,800	750/ 1,800	750/ 1,800	750/ 1,800	750/ 1,800	750/ 1,800	750/ 1,800	750/ 1,800	750/ 1,800	-/-	-/-
Boot capacity	l	400	400	400	400	400	400	400	400	400	400	355
Fuel tank capacity/ of which reserve	l	41/7	41/7	41/7	50/7	50/7	50/7	50/7	50/7	66/7	66/7	66/10
Turning circle	m	11.22	11.22	11.45	11.22	11.45	11.22	11.22	11.45	11.22	12.13	11.29
Fuel consumption^{5,6}	mpg	man.	auto.	auto.	auto.	auto.	man.	auto.	auto.	auto.	auto.	auto.
Urban		56.5	52.3	52.3	56.5	52.3	41.5	37.7	32.1	34.0	26.2	24.8
Extra-urban ⁷		78.5	76.4	67.3	70.6	67.3	64.2	60.1	49.6	55.4	44.1	40.9
Combined		68.9	64.2	61.4	64.2	61.4	53.3	48.7	41.5	44.8	35.3	32.8

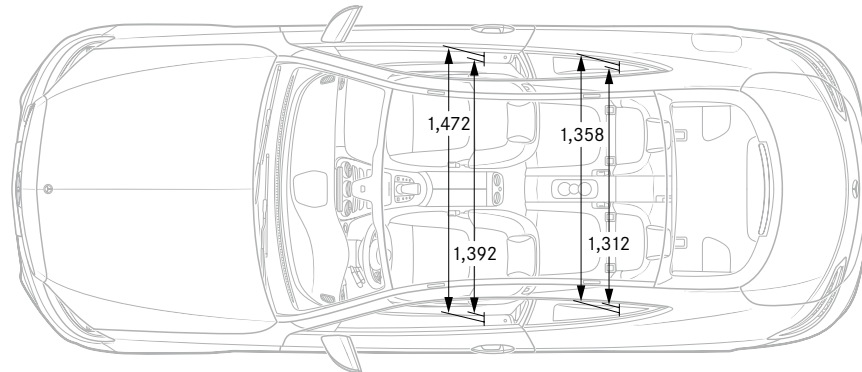
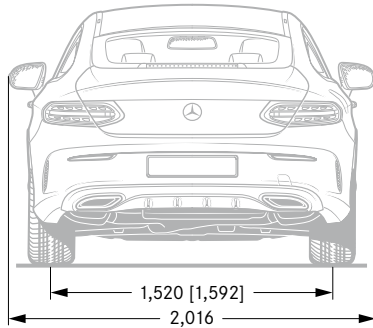
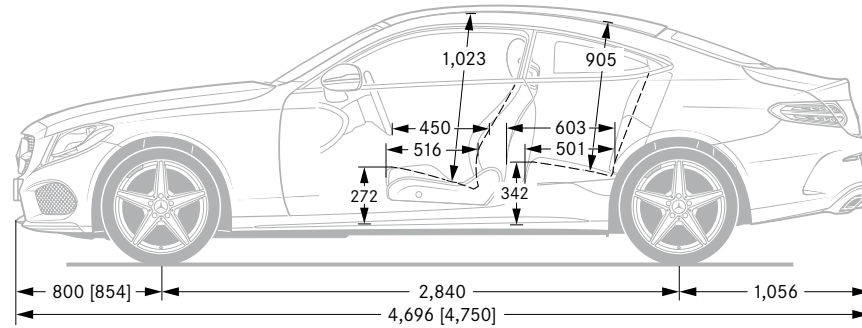
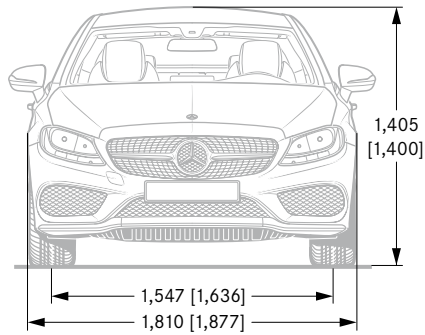


Model	Diesel engines					Petrol engines							
	C 220 d	C 220 d 4MATIC	C 250 d	C 250 d 4MATIC	C 200	C 200 4MATIC	C 300	Mercedes-AMG C 43 4MATIC	Mercedes-AMG C 63 [S]				
CO₂ emissions⁶	g/km		man.	auto.	auto.	auto.	auto.	man.	auto.	auto.	auto.	auto.	auto.
Emissions standard	EU6		EU6	EU6	EU6	EU6	EU6	EU6	EU6	EU6	EU6	EU6	EU6
17" 225/50 tyres	106	112	122	115	122	123	129	153	143	-	-	-	-
18" 245/40 tyres	113	117	127	120	127	132	134	157	148	183	200	200	200
19" 255/35 tyres	116	124	132	127	132	136	140	162	154	183	-	-	-
19" 265/35 tyres	-	-	-	-	-	-	-	-	-	-	-	200	200
19"/20" 285/30 tyres	-	-	-	-	-	-	-	-	-	-	-	200 [200]	200 [200]
Insurance group ratings	man.	auto.	auto.	auto.	auto.	man.	auto.	auto.	auto.	auto.	auto.	auto.	auto.
Base model: Sport/AMG Line	31/32	31/32	31/32	37/37	36/37	32/32	32/32	32/32	36/37	45	47 [50]	47 [50]	47 [50]
Incl. Premium equipment line	-/-	32/32	-/-	38/38	37/37	-/-	33/33	32/33	37/37				
Incl. Premium Plus equipment line	-/-	32/33	-/-	38/38	37/37	-/-	33/34	32/33	37/37				

¹Figures according to Directive 80/1269/EEC in the currently applicable version ²With ECO start/stop ³Electronically limited

⁴Figures according to Directive 92/21/EC (kerb weight with fuel tank 90% full, driver 68 kg, and luggage 7 kg) for standard-specification vehicles ⁵All figures are based on a standard specification with the smallest tyre size

⁶The choice of wheels and transmission may affect CO₂ emissions and corresponding Road Fund Licence ⁷EUDC: extra-urban driving cycle. Testing procedures adhere to EU Directive 93/116



Figures in square brackets relate to Mercedes-AMG models.
 The figures on pages 67-71 are correct at time of publication. Please refer to the government website for latest data - <http://carfueldata.direct.gov.uk/>
 All measurements in millimetres. The dimensions are mean values and apply to standard-specification, unladen vehicles



Technical data – Cabriolet

Model	Diesel engines			Petrol engines			
	C 220 d	C 220 d 4MATIC	C 250 d	C 200	C 300	Mercedes-AMG C 43 4MATIC	Mercedes-AMG C 63 [S]
Engine							
Total displacement	cc 2,143	2,143	2,143	1,991	1,991	2,996	3,982
Arrangement/cylinders/valves	in-line/4/16	in-line/4/16	in-line/4/16	in-line/4/16	in-line/4/16	V/6/24	V/8/32
Fuel delivery	Common-rail diesel with twin turbochargers	Common-rail diesel with twin turbochargers	Common-rail diesel with twin turbochargers	Electronically controlled direct injection	Electronically controlled direct injection	Electronically controlled direct injection	Electronically controlled direct injection with biturbo
Power ¹	hp (kW) at rpm 170 (125)/3,000–4,200	170 (125)/3,000–4,200	204 (150)/3,800	184 (135)/5,500	245 (180)/5,500	367 (270)/5,500–6,000	476 (350)/5,500–6,250 [510 (375)/5,500–6,250]
Torque ¹	Nm at rpm 400/1,400–2,800	400/1,400–2,800	500/1,600–1,800	300/1,200–4,000	370/1,300–4,000	520/2,000–4,200	650 [700]/1,750–4,500
Compression ratio	16.2:1	16.2:1	16.2:1	9.8:1	9.8:1	10.5:1	10.5:1



Model	Diesel engines			Petrol engines						
	C 220 d	C 220 d 4MATIC	C 250 d	C 200	C 300	Mercedes-AMG C 43 4MATIC	Mercedes-AMG C 63 [S]			
Transmission										
6-speed manual ²	●	-	-	●	-	-	-			
9G-TRONIC PLUS 9-speed auto. ²	○	●	●	○	●	●	-			
AMG SPEEDSHIFT MCT 7-speed automatic sports transmission ²	-	-	-	-	-	-	●			
Tyre sizes										
Front	225/50 R 17	225/50 R 17	225/50 R 17	225/50 R 17	225/50 R 17	225/45 R 18	245/40 R 18 [245/35 R 19]			
Rear	225/50 R 17	225/50 R 17	225/50 R 17	225/50 R 17	225/50 R 17	245/40 R 18	265/40 R 18 [265/35 R 19]			
Performance										
	man.	auto.	auto.	auto.	man.	auto.	auto.	auto.	auto.	
Acceleration 0-62 mph	sec	8.3	8.2	8.1	7.2	8.2	7.8	6.4	4.8	4.2 [4.1]
Top speed	mph	144	144	140	151	146	145	155 ³	155 ³	155 ³



Model	Diesel engines				Petrol engines					
	C 220 d	C 220 d 4MATIC	C 250 d		C 200	C 300	Mercedes-AMG C 43 4MATIC	Mercedes-AMG C 63 [S]		
Weights and capacities	man.	auto.	auto.	auto.	man.	auto.	auto.	auto.	auto.	
Kerb weight ⁴	kg	1,735	1,745	1,805	1,770	1,645	1,665	1,690	1,870	1,910 [1,925]
Perm. Gross Vehicle Weight	kg	2,215	2,225	2,285	2,250	2,125	2,145	2,170	2,315	2,280
Towing capacity - unbraked/ braked	kg	750/ 1,800	750/ 1,800	750/ 1,800	750/ 1,800	750/ 1,600	750/ 1,800	750/ 1,800	-/-	-/-
Boot capacity (roof down)	l	360 (285)	360 (285)	360 (285)	360 (285)	360 (285)	360 (285)	360 (285)	355 (280)	355 (280)
Fuel tank capacity/ of which reserve	l	41/7	41/7	41/7	50/7	50/7	50/7	66/7	66/7	66/10
Turning circle	m	11.22	11.22	11.45	11.22	11.22	11.22	11.22	12.13	11.29
Fuel consumption^{5,6}	mpg	man.	auto.	auto.	auto.	man.	auto.	auto.	auto.	auto.
Urban		52.3	54.3	48.7	54.3	37.7	36.2	32.8	25.2	23.5
Extra-urban ⁷		72.4	65.7	60.1	65.7	55.4	55.4	50.4	40.9	39.2
Combined		62.8	61.4	56.5	61.4	47.1	46.3	42.2	33.6	31.7



Model	Diesel engines				Petrol engines						
	C 220 d	C 220 d 4MATIC	C 250 d		C 200	C 300	Mercedes-AMG C 43 4MATIC	Mercedes-AMG C 63 [S]			
CO₂ emissions⁶	g/km		man.	auto.	auto.	auto.	man.	auto.	auto.	auto.	auto.
Emissions standard	EU6		EU6	EU6	EU6	EU6	EU6	EU6	EU6	EU6	EU6
17" 225/50 tyres	116	121	130	121	136	138	151	-	-	-	-
18" 245/40 tyres	119	126	134	126	139	141	155	194	-	-	-
19" 255/35 tyres	126	133	140	133	143	147	161	194	-	-	208
19"/20" 285/30 tyres	-	-	-	-	-	-	-	-	-	-	208
Insurance group ratings	man.	auto.	auto.	auto.	man.	auto.	auto.	auto.	auto.	auto.	auto.
Base model: Sport/AMG Line Incl. Premium Plus equipment line	36/36	36/36 36/36	35/36 36/36	41/41 41/42	35/36	35/36 37/38	41/41 41/42	45 45	45	45	47 [50]

¹Figures according to Directive 80/1269/EEC in the currently applicable version ²With ECO start/stop ³Electronically limited

⁴Figures according to Directive 92/21/EC (kerb weight with fuel tank 90% full, driver 68 kg, and luggage 7 kg) for standard-specification vehicles ⁵All figures are based on a standard specification with the smallest tyre size

⁶The choice of wheels and transmission may affect CO₂ emissions and corresponding Road Fund Licence ⁷EUDC: extra-urban driving cycle. Testing procedures adhere to EU Directive 93/116



View offers > Coupé
> Cabriolet



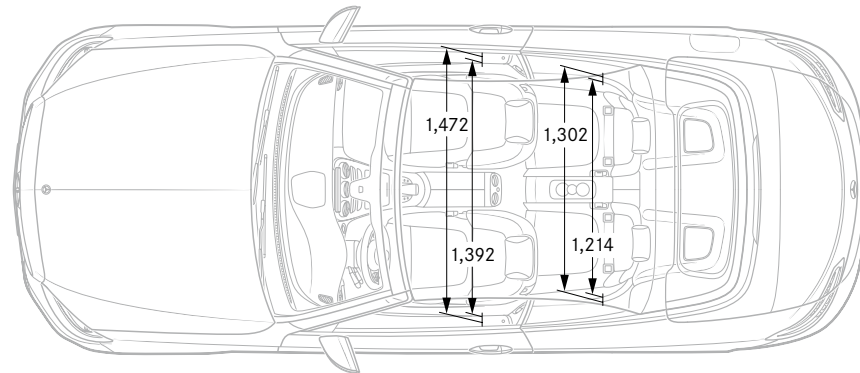
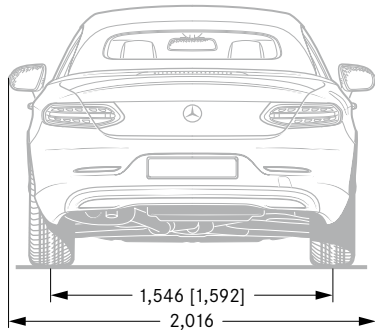
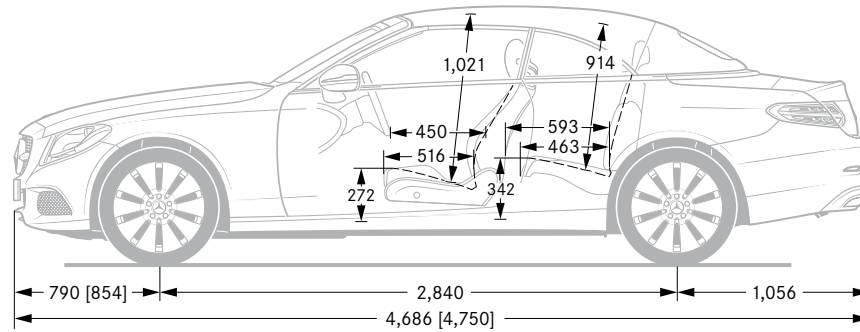
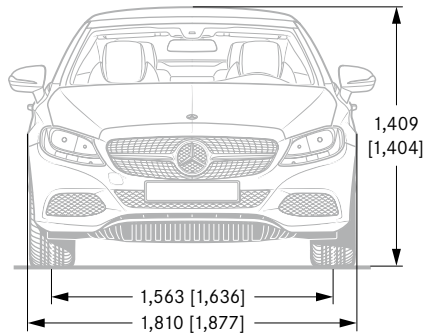
Book a test drive > Coupé
> Cabriolet



> Find a Retailer



> View the Range Guide



Figures in square brackets relate to Mercedes-AMG models.

The figures on pages 72-76 are correct at time of publication. Please refer to the government website for latest data - <http://carfueldata.direct.gov.uk/>

All measurements in millimetres. The dimensions are mean values and apply to standard-specification, unladen vehicles



Road Fund Licence



All road vehicle registrations are subject to Vehicle Excise Duty (Road Fund Licence), which varies in accordance with the vehicle's CO₂ emissions. A first year rate for each taxation band will apply. The table below shows the bands (A–M) created by the DVLA and the corresponding Road Fund Licence. CO₂ emissions are listed in the technical data on pages 70 and 75, and the relevant Excise Duty is reflected in the on-the-road prices on pages 10–13.

Band	CO ₂ emissions	First year rate (£) ¹	Standard rate (£)	Premium rate (£) ²
A	0 g/km	0.00	0.00	310.00
B	1 to 50 g/km	10.00	140.00	450.00
C	51 to 75 g/km	25.00	140.00	450.00
D	76 to 90 g/km	100.00	140.00	450.00
E	91 to 100 g/km	120.00	140.00	450.00
F	101 to 110 g/km	140.00	140.00	450.00
G	111 to 130 g/km	160.00	140.00	450.00
H	131 to 150 g/km	200.00	140.00	450.00
I	151 to 170 g/km	500.00	140.00	450.00
J	171 to 190 g/km	800.00	140.00	450.00
K	191 to 225 g/km	1,200.00	140.00	450.00
L	226 to 255 g/km	1,700.00	140.00	450.00
M	over 255 g/km	2,000.00	140.00	450.00

¹Figures are correct at time of publication. Please refer to the government website for latest data – <http://carfueldata.direct.gov.uk/>

²Premium rate only applicable to vehicles where the list price is over £40,000 including any factory-fitted options, standard UK delivery charge, number plates, fuel and VAT



Services and insurance

Mercedes-Benz Service Care

We believe that servicing costs should be as flexible and affordable as possible for your C-Class, which is why we offer Service Care, an easy way to budget for all your servicing costs. It spreads your bills into manageable payments based on whether you have a new or used Mercedes-Benz.

With Service Care we guarantee the price of parts and labour for up to three services and safeguard against any further inflation. It also covers the cost of any additional items including brake fluid, spark plugs, air filters, fuel filters and screen wash.

You can choose either to add your servicing costs into your monthly spend or pay the full amount in a one-off payment, giving you peace of mind that they are taken care of for the period of the plan.

To receive a personalised Service Care plan recommendation visit the Service Care Calculator at servicecarerates.mercedes-benz.co.uk

Warranty and breakdown cover

Every Mercedes-Benz comes with a three-year unlimited mileage warranty against manufacturing or material defects¹ and up to 30 years warranty against perforation due to corrosion from the inside out.² What's more, it's also covered by Mercedes-Benz Roadside Assistance – a unique package comprising up to 30 years pan-European breakdown assistance.²

Insurance

Since our name is synonymous with reliability, who better to trust with your motor insurance? Mercedes-Benz Insurance provides a motor insurance policy specifically designed to give you the cover you would expect from Mercedes-Benz. For a motor insurance quotation, call **0345 600 2180**.*

¹Applies to vehicles sold by Mercedes-Benz in the UK to its franchised Retailers ²Subject to full Terms and Conditions, dependent on date of registration, available upon request Mercedes-Benz Motor Insurance is underwritten by Aviva Insurance UK Limited. Credit provided, subject to status, by Mercedes-Benz Financial Services UK Ltd, MK15 8BA *For joint protection, calls may be recorded and/or monitored. All calls charged at local rate. We may decline to quote in some circumstances



View offers > Coupé
> Cabriolet



Book a test drive > Coupé
> Cabriolet



> Find a Retailer



> View the Range Guide

Mercedes me connect

Mercedes me connect enables you to connect to your car via desktop, tablet or smartphone via an app. It provides access to services that enhance your Mercedes-Benz experience and fit effortlessly into your daily digital routine.¹

Standard Services.

Available on all models, except G-Class.

- **Emergency Call** – if there's an accident, this feature automatically shares your vehicle location and status for a fast response from the emergency services
- **Accident & Breakdown Management** – contact our Customer Assistance Centre with a single button for fast breakdown recovery
- **Telediagnosics** – automatically detects and shares details of any vehicle wear and tear with you, and shares the data with your Retailer
- **Maintenance Management** – reminds you when your service is due and automatically shares maintenance data with your Retailer
- **Parking Time Assist** – track the time on your parking meter and receive an alert when it's due to expire



Vehicle Setup.

These services come as standard if you have COMAND Online. Available as an optional £69 upgrade for all other customers.

- **Personal Profile** – store your preferences, such as your favourite radio stations and apps, to create your personal driver profile
- **Maintenance (Vehicle Status)** – check safety information, such as coolant level and brake pad condition, so you can be sure your car is safe and ready to drive
- **Remote Door Unlock** – lock and unlock your car remotely, wherever you are in the world
- **Send to Car Function** – search for destinations on your smartphone, tablet or desktop, then send the routes direct to your car for navigation

¹Currently unavailable in the Channel Islands and the Isle of Man



View offers > Coupé
> Cabriolet



Book a test drive > Coupé
> Cabriolet



> Find a Retailer



> View the Range Guide

Remote Online Services.

Standard on all models with COMAND Online, except for new E-Class. Available to purchase for an additional £150.00 (incl. VAT) for all models without COMAND Online.

- **Trip information and vehicle status** – access the vehicle's trip data such as fuel level, mileage, condition of brake pads and tyre pressure
- **Remote door locking and unlocking** – lock and unlock your car remotely, wherever you are in the world
- **Geofencing** – set up a geographical boundary and receive alerts whenever your car enters or leaves this area
- **Parked Vehicle Locator** – locate your parked vehicle within a range of one mile and plot a route back to it
- **Vehicle Tracker** – track the location of your car anywhere in the world

Additional services for Plug-In Hybrid and electric models only, as part of Remote Online services:

- **Pre-entry climate control** – activate the pre-entry climate control system of your parked vehicle and set the temperature to your liking before boarding
- **Route planning** – displays the electric operating range on a map and enables you to plan a route while stopping at public charging stations
- **Charging points** – displays a list of the nearest public charging stations
- **Charging profile** – control the charging settings from a distance so your vehicle can be ready charged when you need it

Vehicle Monitoring.

Standard with COMAND Online for all models, except the new E-Class. Available to purchase for new E-Class and all other customers as an additional £69 upgrade.

- **Geo-fencing** – set up a geographical boundary and receive alerts whenever your car enters or leaves this area
- **Parked Vehicle Locator** – locate your parked car when within 1 mile and plot a route back to it
- **Vehicle Tracker** – track the location of your car anywhere in the world

Visit the Mercedes me connect store for more information:

shop.mercedes-benz.com/en-gb/connect



Mercedes-Benz Finance

Why should you finance with Mercedes-Benz?

At Mercedes-Benz we believe a great driving experience should be matched by an equally great ownership experience. That is why we put just as much thought, time and effort into designing our finance options, our service plans and our insurance cover as we do into our vehicles.

We are not in the business of simply providing a loan to fund the purchase of your dream vehicle. We look on it as a journey that we take with you, from the moment you choose your new Mercedes-Benz, to helping you in choosing your next one.

If you would like to find out more about any of our current offers, simply call into your local Mercedes-Benz Retailer where one of our Business Managers will be more than happy to talk you through anything you need to know.

Helping you find the right solution.

You should find our finance packages are more convenient than a traditional personal loan because:

- Funds are immediately available – no waiting for cheques or loans to clear.
- There is no security required – either against your home or other assets.
- We have clear and transparent rates – the APR we quote is the APR you get.
- We have friendly Business Managers – experts in vehicle finance who can talk you through all of your plans in detail.

One of our most popular finance products is Mercedes-Benz Agility (our Personal Contract Purchase product). We also offer Contract Hire, Operating Lease and Hire Purchase solutions. If you would like to find out more about these speak to your Retailer or visit www.mercedes-benz.co.uk/fandi.

Mercedes-Benz Agility (our PCP product).

At the start of an Agility agreement, you put down a deposit and decide the term of your agreement and your annual mileage. You will be advised of the Guaranteed Future Value, which offers you the reassurance of knowing exactly what you will need to pay to own the vehicle outright in the future (this is known as the Optional Purchase Payment).

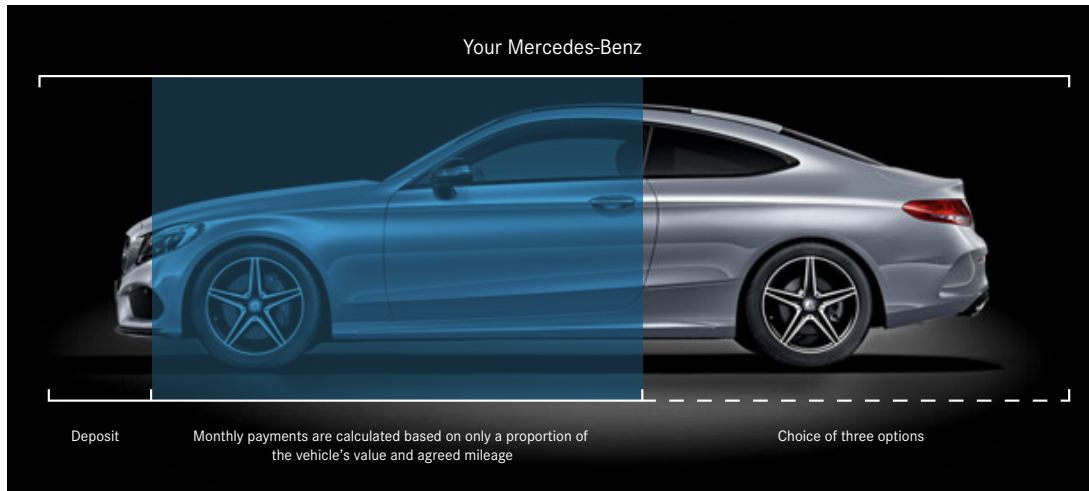
Throughout your agreement you simply pay your agreed monthly payments and when the agreement comes to an end you either purchase, hand back or part-exchange your vehicle.





Agility features:

- Fixed regular payments mean you can easily budget.
- Payments are based only on a proportion of the vehicle's value, keeping your monthly payments lower.
- Our Guaranteed Future Value avoids the risk of unplanned depreciation of your vehicle.
- You defer your ownership decision until the end of the agreement.



At the end of your agreement you have three options to choose from.

Option 1: Purchase your Mercedes-Benz.

Purchase your Mercedes-Benz by paying the Optional Purchase Payment and Purchase Activation Fee.¹ This will complete the purchase of your Mercedes-Benz, leaving you free to simply enjoy your vehicle.

Option 2: Hand back your Mercedes-Benz.

If you decide to return your vehicle to us, it must be in line with our Vehicle Return Standards,^{*} as vehicle condition, excess mileage and other charges may be payable.

Option 3: Part-Exchange for a new vehicle.

Purchase your Mercedes-Benz by paying the Optional Purchase Payment and Purchase Activation Fee.¹ This will complete the purchase of your Mercedes-Benz, leaving you free to part-exchange for a new vehicle.

¹Please note the 'Purchase Activation Fee' of £10 will be debited from your account *To find out more information about our Vehicle Return Standards please visit <http://mercedes-benz.co.uk/vrs>



View offers [> Coupé](#)
[> Cabriolet](#)



Book a test drive [> Coupé](#)
[> Cabriolet](#)





[> Find a Retailer](#)





[> View the Range Guide](#)

Follow us on the following social media channels:

 facebook.com/mercedesbenzduk

 twitter.com/mercedesbenzduk

 youtube.com/mercedesbenzduk

 instagram.com/mercedesbenzduk

Effective from 1 April 2017 Production. Information correct at time of publication.

Prices and specifications are subject to change without prior notice.

MBCA205PL/0118

Mercedes-Benz Cars UK Limited, Tongwell, Milton Keynes, MK15 8BA. Company number 2448457 www.mercedes-benz.co.uk