

COMPAL CONFIDENTIAL

MODEL NAME : *HAU30*

PCB NO : *LA-3071P*

COMPAL P/N : *DA800004H1L*

Crockett Schematics Document

**uFCBGA Mobile Yonah-ULV
Intel Calistoga-GMS + ICH7M**

2006-5-12

REV : 1.0 (DELL: A00)

MB PCB

Part Number	Description
DA800004H1L	PCB 00B LA-3071P REV1 M/B

BOM NO. 43140131L01
PCB P/N: DA800004H1L

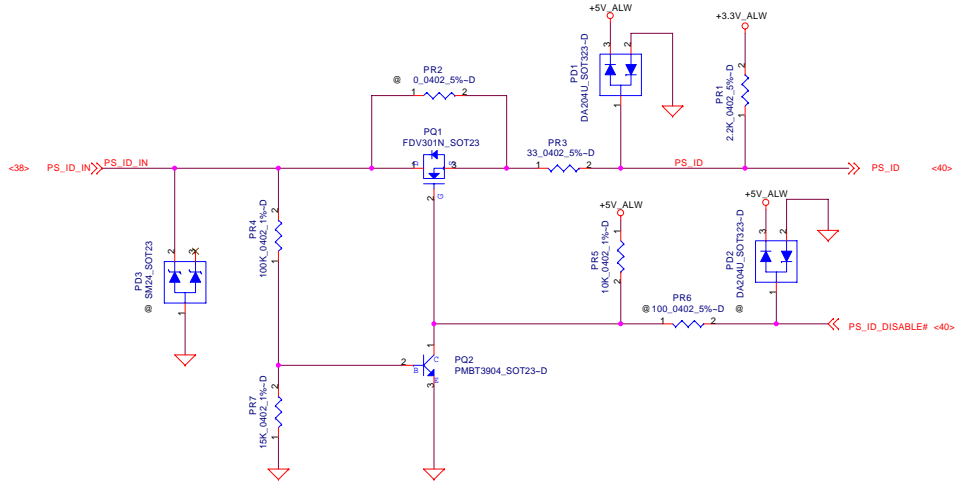
PROPRIETARY NOTE: THIS SHEET OF ENGINEERING DRAWING AND SPECIFICATIONS CONTAINS CONFIDENTIAL TRADE SECRET AND OTHER PROPRIETARY INFORMATION OF DELL INC. ("DELL"). THIS DOCUMENT MAY NOT BE TRANSMITTED OR COPIED WITHOUT THE EXPRESS WRITTEN AUTHORIZATION OF DELL. IN ADDITION, NEITHER THIS SHEET NOR THE INFORMATION IT CONTAINS MAY BE USED BY OR DISCLOSED TO ANY THIRD PARTY WITHOUT DELL'S EXPRESS WRITTEN CONSENT.

DELL CONFIDENTIAL/PROPRIETARY

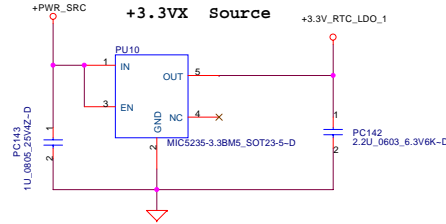


Compal Electronics, Inc.		
Title	Cover Sheet	
Size	Document Number	Rev
	LA-3071P	1.0
Date: Friday, May 12, 2006	Sheet 1	of 59

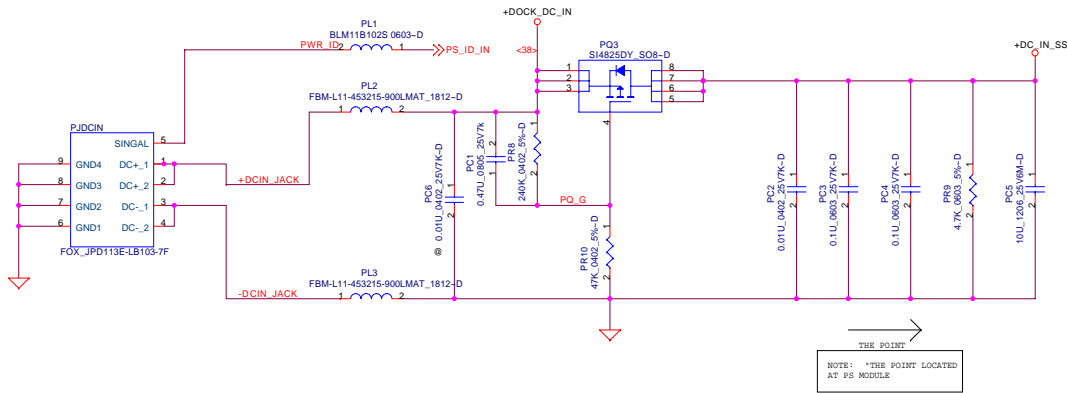
PS_ID Detector



+3.3VX Source



+DC_IN Source



THE POINT
NOTE: THE POINT LOCATED
AT PS MODULE

DELL CONFIDENTIAL/PROPRIETARY

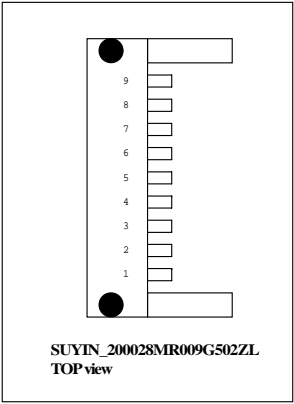
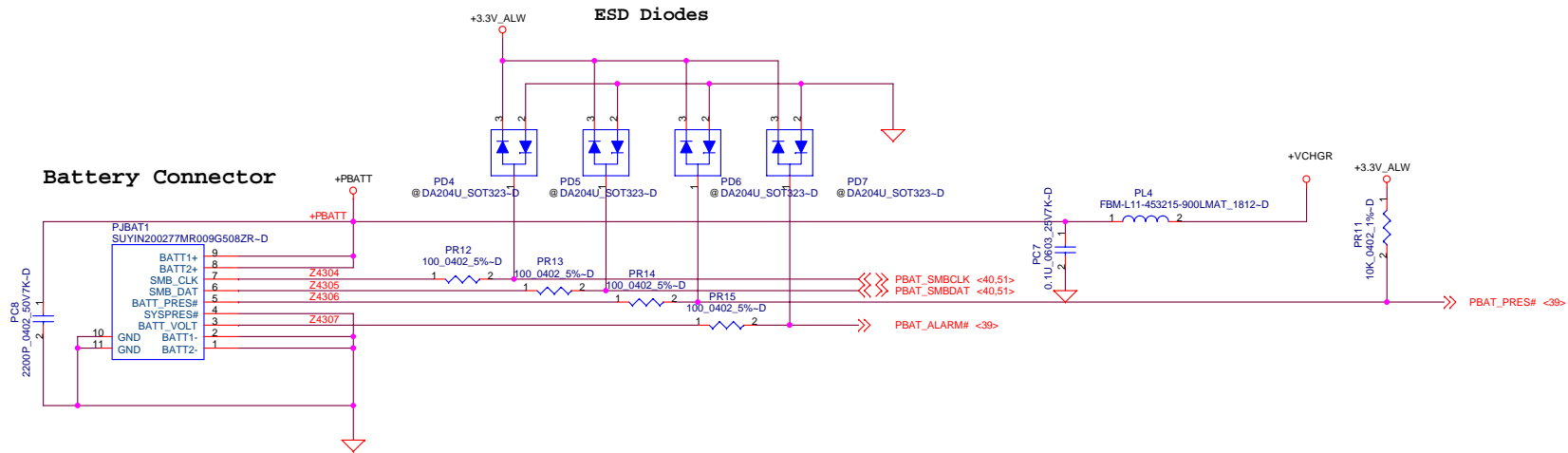
Compal Electronics, Inc.

+DCIN

File: LA-3071P
Size: Document Number
Date: Friday, May 12, 2006 Sheet 1 of 10

THIS SHEET OF ENGINEERING DRAWING IS THE PROPRIETARY PROPERTY OF COMPAL ELECTRONICS, INC. AND CONTAINS CONFIDENTIAL AND TRADE SECRET INFORMATION. THIS SHEET MAY NOT BE TRANSFERRED FROM THE CUSTODY OF THE COMPETENT DIVISION OF R&D DEPARTMENT EXCEPT AS AUTHORIZED BY COMPAL ELECTRONICS, INC. NEITHER THIS SHEET NOR THE INFORMATION IT CONTAINS MAY BE USED BY OR DISCLOSED TO ANY THIRD PARTY WITHOUT PRIOR WRITTEN CONSENT OF COMPAL ELECTRONICS, INC.

Rev 0.4



THIS SHEET OF ENGINEERING DRAWING IS THE PROPRIETARY PROPERTY OF COMPAL ELECTRONICS, INC. AND CONTAINS CONFIDENTIAL AND TRADE SECRET INFORMATION. THIS SHEET MAY NOT BE TRANSFERRED FROM THE CUSTODY OF THE COMPETENT DIVISION OF R&D DEPARTMENT EXCEPT AS AUTHORIZED BY COMPAL ELECTRONICS, INC. NEITHER THIS SHEET NOR THE INFORMATION IT CONTAINS MAY BE USED BY OR DISCLOSED TO ANY THIRD PARTY WITHOUT PRIOR WRITTEN CONSENT OF COMPAL ELECTRONICS, INC.

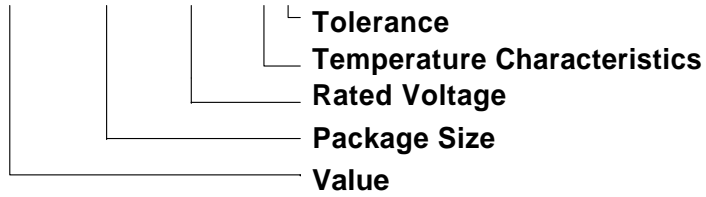


DELL CONFIDENTIAL/PROPRIETARY

Compal Electronics, Inc.		
Title		
Battery Conn		
Size	Document Number	Rev
	LA-3071P	0.4
Date:	Friday, May 12, 2006	Sheet 2 of 10

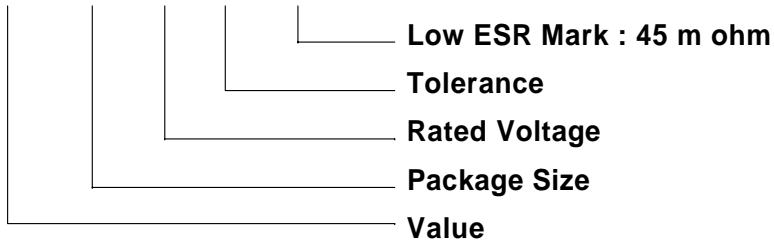
Ceramic Capacitors :

0.1U_0402_6.3VXX



Tantalum or Polymer Capacitors :

10U_D2_10VX_R45



Capacitor Spec Guide:

Temperature Characteristics:

Symbol	0	1	2	3	4	5	6	7
CODE	Z5U	Z5V	Z5P	Y5U	Y5V	Y5P	X5R	X7R

8	9	A	B	C	D	E	F	G
NPO	COG	X6S	BJ	CH	CJ	CK	SH	SJ

H	I	J	K
UJ	UK	SL	X5S

Tolerance:

Symbol	A	B	C	D	F	G	H	J
CODE	+0.05PF	+0.1PF	+0.25PF	+0.5PF	+1PF	+2%	+3%	+5%

K	M	N	P	Q	V	X	Z	
+10%	+20%	+30%	+100,-0%	+30,-10%	+20,-10%	+40,-20%	+80,-20%	

NOTE1:

@XX : Depop component

PCI TABLE

PCI DEVICE	IDSEL	REQ#/GNT#	PIRQ
CARD BUS	AD17	2	B,C,D
DOCKING	AD24	0	A

PM TABLE

power plane / State	+3.3V_ALW +5V_ALW	+3.3V_SRC +3.3V_SUS +5V_SUS +1.8V_SUS +15V_SUS	+5V_RUN +3.3V_RUN +1.8V_RUN +0.9V_DDR_VTT +1.5V_RUN +VCC_CORE +1.05V_VCCP +2.5V_RUN
S0	ON	ON	ON
S1	ON	ON	ON
S3	ON	ON	OFF
S5 S4/AC	ON	OFF	OFF
S5 S4/AC don't exist	OFF	OFF	OFF

USB TABLE

USB PORT#	DESTINATION	USB HUB	DESTINATION
0	Mini 2(WLAN)	1	PC Card Bay
1	USB Hub (5018)	2	Mini 1(WWAN)
2	N/A	3	SMART CARD
3	N/A	4	Blue tooth
4,6	REAR		
5	PWR USB		
7	Docking		
		USB HUB on OZ77C6LN	DESTINATION
		DP_HUB	Fingerprint

PROPRIETARY NOTE: THIS SHEET OF ENGINEERING DRAWING AND SPECIFICATIONS CONTAINS CONFIDENTIAL TRADE SECRET AND OTHER PROPRIETARY INFORMATION OF DELL INC. ("DELL"). THIS DOCUMENT MAY NOT BE TRANSMITTED OR COPIED WITHOUT THE EXPRESS WRITTEN AUTHORIZATION OF DELL. IN ADDITION, NEITHER THIS SHEET NOR THE INFORMATION IT CONTAINS MAY BE USED BY OR DISCLOSED TO ANY THIRD PARTY WITHOUT DELL'S EXPRESS WRITTEN CONSENT.



DELL CONFIDENTIAL/PROPRIETARY

Compal Electronics, Inc.		
Title		
Index and Config.		
Size	Document Number	Rev
	LA-3071P	1.0
Date:	Friday, May 12, 2006	Sheet 3 of 59

DC/DC +3V/ +5V/ +15V

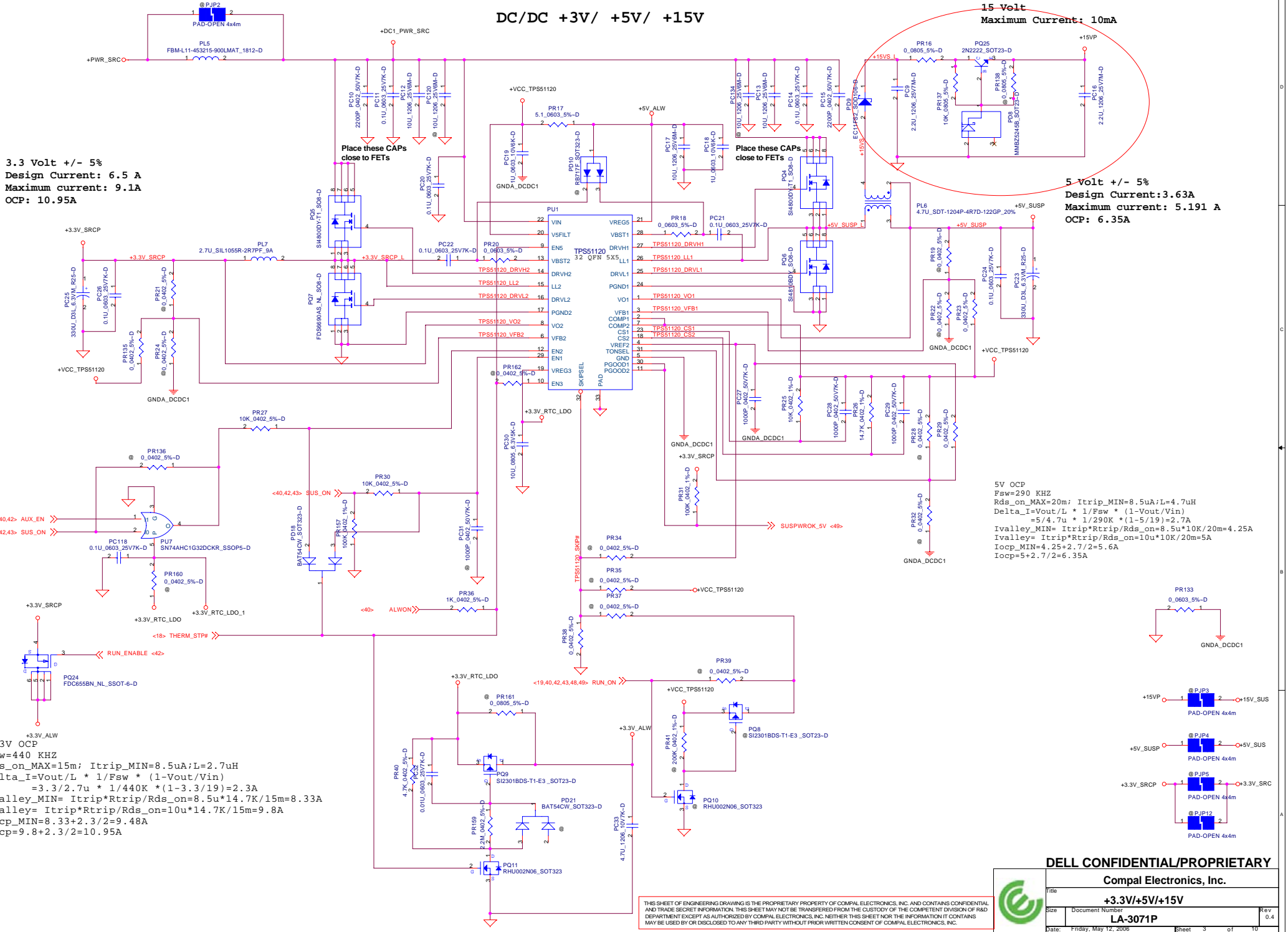
15-Volt
Maximum Current: 10mA

3.3 Volt +/- 5%
Design Current: 6.5 A
Maximum current: 9.1A
OCP: 10.95A

5 Volt +/- 5%
Design Current: 3.63A
Maximum current: 5.191 A
OCP: 6.35A

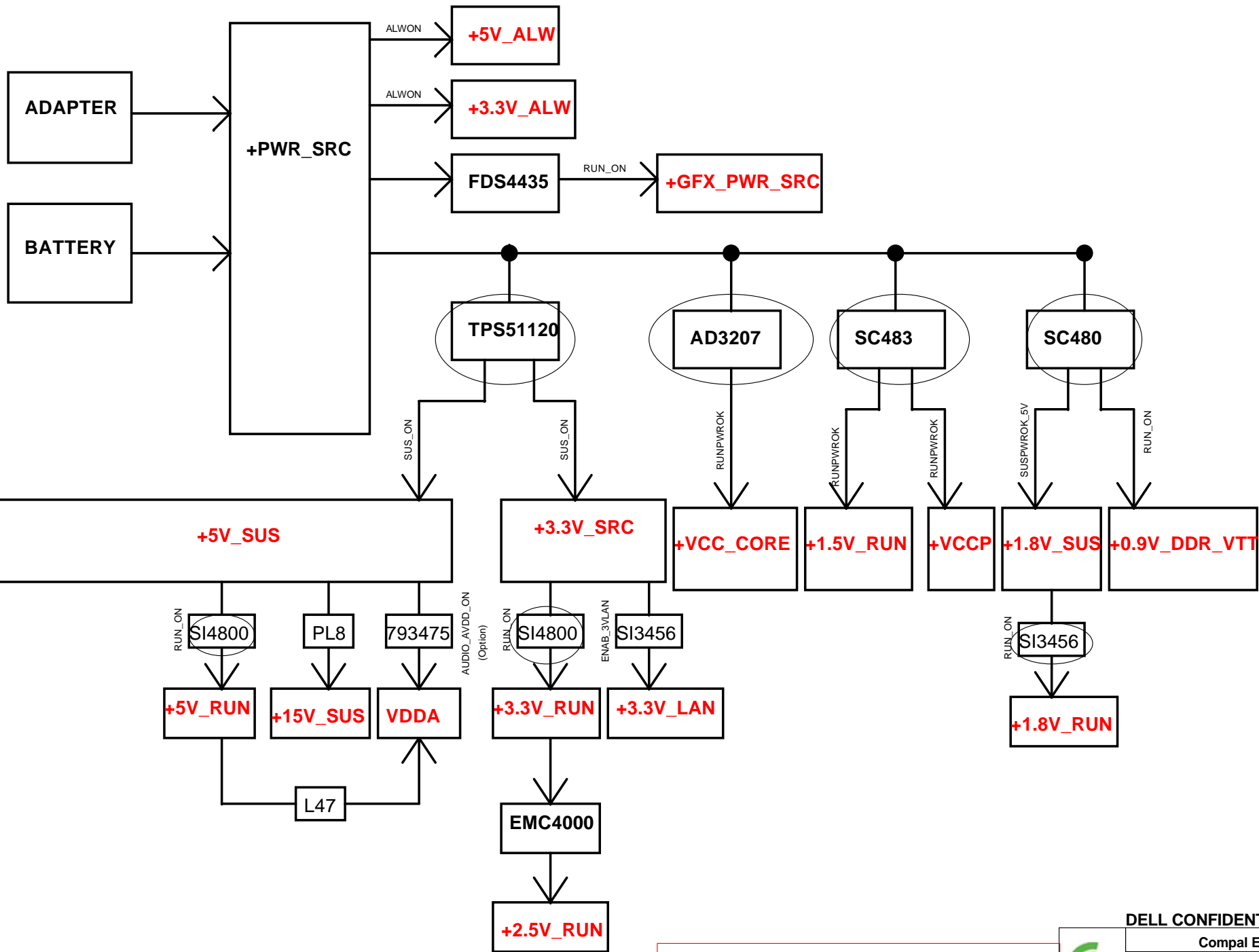
5V OCP
Fsw=290 KHZ
Rds_on_MAX=20m; Itrip_MIN=8.5uA;L=4.7uH
Delta_I=Vout/L * 1/Fsw * (1-Vout/Vin)
=5/4.7u * 1/290K * (1-5/19)=2.7A
Ivalley_MIN= Itrip*Rtrip/Rds_on=8.5u*10K/20m=4.25A
Ivalley= Itrip*Rtrip/Rds_on=10u*10K/20m=5A
Iocp_MIN=4.25+2.7/2=5.6A
Iocp=5+2.7/2=6.35A

3.3V OCP
Fsw=440 KHZ
Rds_on_MAX=15m; Itrip_MIN=8.5uA;L=2.7uH
Delta_I=Vout/L * 1/Fsw * (1-Vout/Vin)
=3.3/2.7u * 1/440K * (1-3.3/19)=2.3A
Ivalley_MIN= Itrip*Rtrip/Rds_on=8.5u*14.7K/15m=8.33A
Ivalley= Itrip*Rtrip/Rds_on=10u*14.7K/15m=9.8A
Iocp_MIN=8.33+2.3/2=9.48A
Iocp=9.8+2.3/2=10.95A



THIS SHEET OF ENGINEERING DRAWING IS THE PROPRIETARY PROPERTY OF COMPAL ELECTRONICS, INC. AND CONTAINS CONFIDENTIAL AND TRADE SECRET INFORMATION. THIS SHEET MAY NOT BE TRANSFERRED FROM THE CUSTODY OF THE COMPETENT DIVISION OF R&D DEPARTMENT EXCEPT AS AUTHORIZED BY COMPAL ELECTRONICS, INC. NEITHER THIS SHEET NOR THE INFORMATION IT CONTAINS MAY BE USED BY OR DISCLOSED TO ANY THIRD PARTY WITHOUT PRIOR WRITTEN CONSENT OF COMPAL ELECTRONICS, INC.

		DELL CONFIDENTIAL/PROPRIETARY	
		Compal Electronics, Inc.	
+3.3V/+5V/+15V			
Size	Document Number	Rev	
	LA-3071P	0.4	
Date:	Friday, May 12, 2006	Sheet	3 of 10



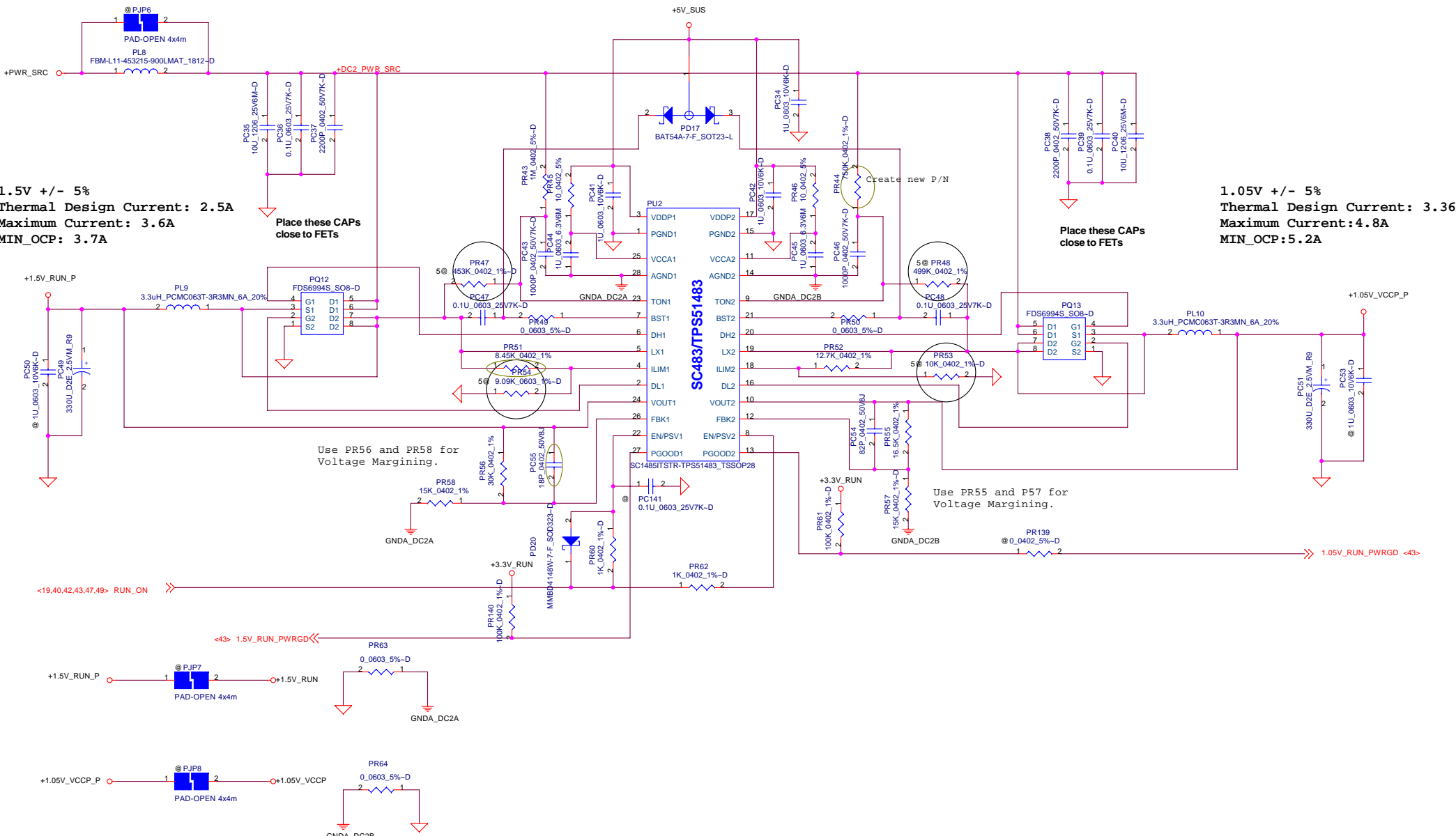
PROPRIETARY NOTE: THIS SHEET OF ENGINEERING DRAWING AND SPECIFICATIONS CONTAINS CONFIDENTIAL TRADE SECRET AND OTHER PROPRIETARY INFORMATION OF DELL INC. ("DELL") THIS DOCUMENT MAY NOT BE TRANSFERRED OR COPIED WITHOUT THE EXPRESS WRITTEN AUTHORIZATION OF DELL. IN ADDITION, NEITHER THIS SHEET NOR THE INFORMATION IT CONTAINS MAY BE USED BY OR DISCLOSED TO ANY THIRD PARTY WITHOUT DELL'S EXPRESS WRITTEN CONSENT.



DELL CONFIDENTIAL/PROPRIETARY

Compal Electronics, Inc.

Title			Power Rail		
Size	Document Number	Rev			
	LA-3071P	1.0			
Date:	Friday, May 12, 2006	Sheet	4	of	59




BOM

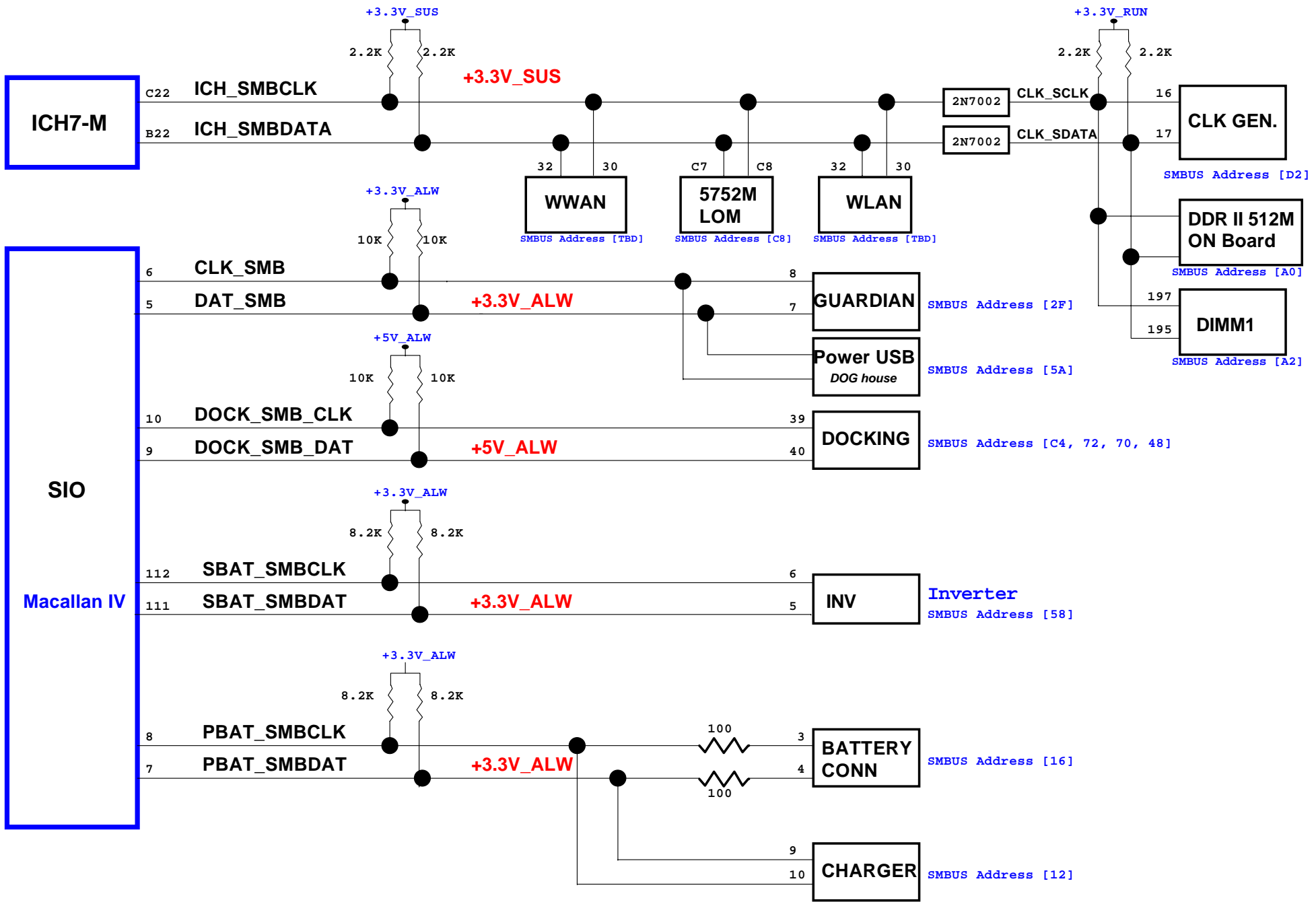
Structure	Description
@	Do Not Populate
4@	Populate for Semtech - SC483 Only
5@	Populate for Ti - TPS51483 Only

Ref Des	SC483	TPS52483
PR56	30.0K	15.0K
PR58	15.0K	15.0K
PR55	16.5K	11.8K
PR57	15.0K	29.4K

DELL CONFIDENTIAL/PROPRIETARY

		Compal Electronics, Inc.	
		+1.5VRUNP /+VCCP_1P05VP	
File	Document Number	Rev	
	LA-3071P	0.4	
Date:	Friday, May 12, 2006	Sheet	4 of 10

THIS SHEET OF ENGINEERING DRAWING IS THE PROPRIETARY PROPERTY OF COMPAL ELECTRONICS, INC. AND CONTAINS CONFIDENTIAL AND TRADE SECRET INFORMATION. THIS SHEET MAY NOT BE TRANSFERRED FROM THE CUSTODY OF THE COMPETENT DIVISION OF R&D DEPARTMENT EXCEPT AS AUTHORIZED BY COMPAL ELECTRONICS, INC. NEITHER THIS SHEET NOR THE INFORMATION IT CONTAINS MAY BE USED BY OR DISCLOSED TO ANY THIRD PARTY WITHOUT PRIOR WRITTEN CONSENT OF COMPAL ELECTRONICS, INC.



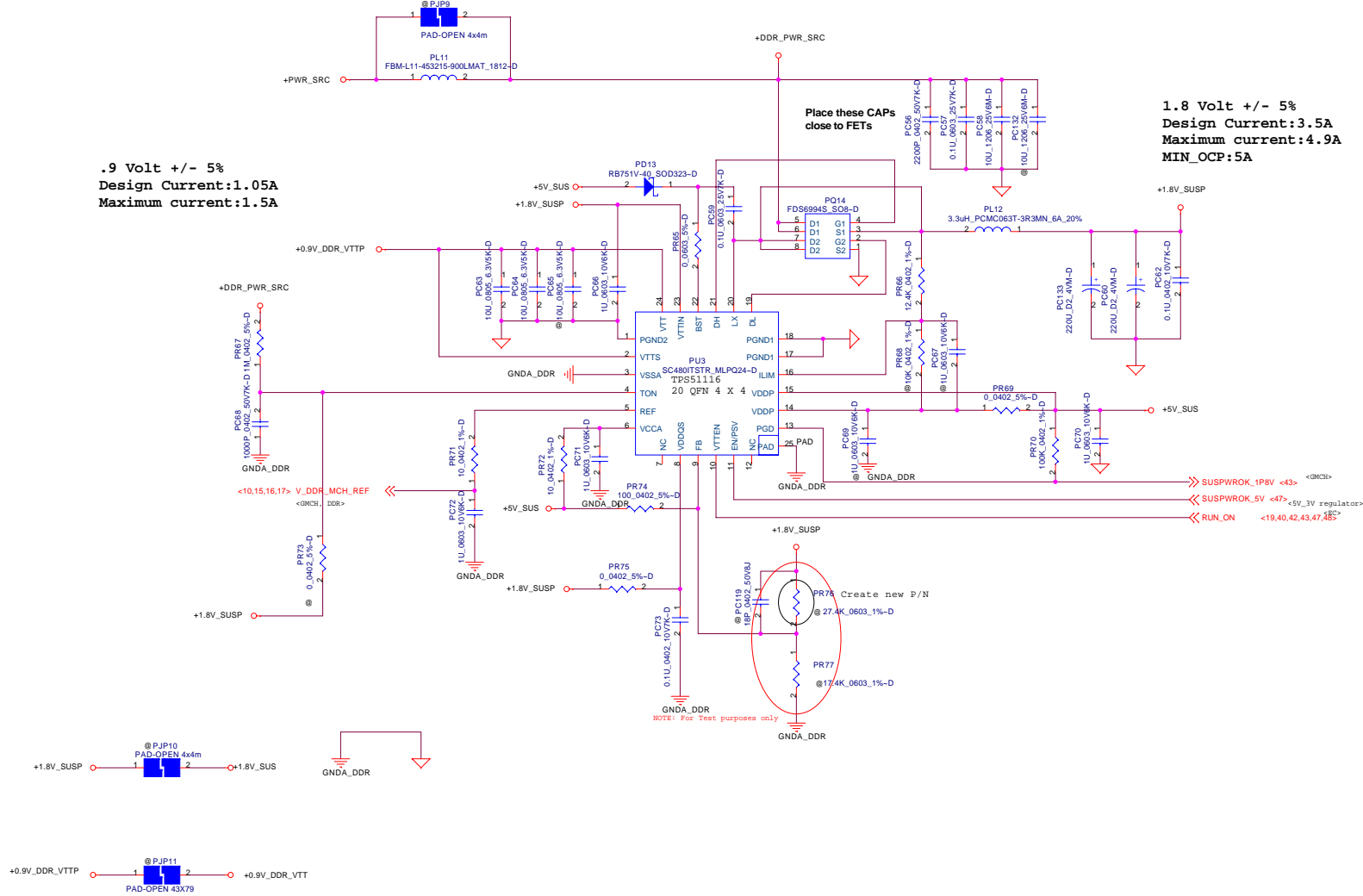
PROPRIETARY NOTE: THIS SHEET OF ENGINEERING DRAWING AND SPECIFICATIONS CONTAINS CONFIDENTIAL TRADE SECRET AND OTHER PROPRIETARY INFORMATION OF DELL INC. ("DELL") THIS DOCUMENT MAY NOT BE TRANSFERRED OR COPIED WITHOUT THE EXPRESS WRITTEN AUTHORIZATION OF DELL. IN ADDITION, NEITHER THIS SHEET NOR THE INFORMATION IT CONTAINS MAY BE USED BY OR DISCLOSED TO ANY THIRD PARTY WITHOUT DELL'S EXPRESS WRITTEN CONSENT.




NOTE: Component Values shown for SEMTECH SC480 ONLY.
For Texas Instruments TPS51116, Please USE Reference BOM.

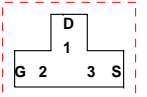
.9 Volt +/- 5%
Design Current:1.05A
Maximum current:1.5A

1.8 Volt +/- 5%
Design Current:3.5A
Maximum current:4.9A
MIN_OCP:5A



PROPRIETARY NOTE: THIS SHEET OF ENGINEERING DRAWING AND SPECIFICATIONS CONTAINS CONFIDENTIAL TRADE SECRET AND OTHER PROPRIETARY INFORMATION OF DELL INC. ("DELL") THIS DOCUMENT MAY NOT BE TRANSFERRED OR COPIED WITHOUT THE EXPRESS WRITTEN AUTHORIZATION OF DELL. IN ADDITION, NEITHER THIS SHEET NOR THE INFORMATION IT CONTAINS MAY BE USED BY OR DISCLOSED TO ANY THIRD PARTY WITHOUT DELL'S EXPRESS WRITTEN CONSENT.

		DELL CONFIDENTIAL/PROPRIETARY	
		+1.8VSUSP/ +0.9V_DDR_VT	
File	Document Number	Rev	
Size	LA-3071P	0.4	
Date:	Friday, May 12, 2006	Sheet	5 of 10



2N7002

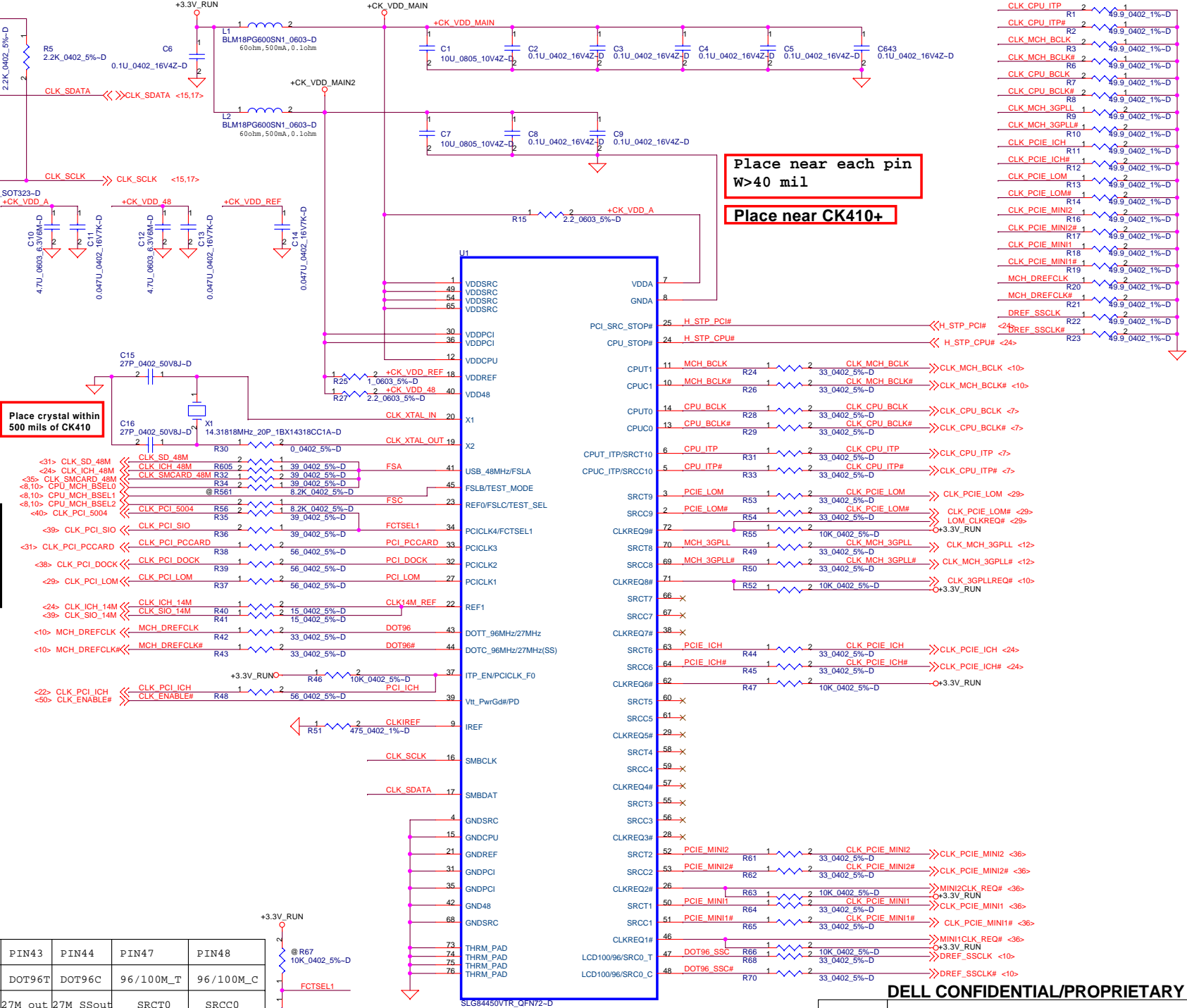
<24,29,36> ICH_SMBDATA <<> ICH_SMBDATA

<24,29,36> ICH_SMBCLK <<> ICH_SMBCLK

FSC CLKSEL2	FSB CLKSEL1	FSA CLKSELO	CPU MHZ	SRC MHZ	PCI MHZ
0	0	0	266	100	33.3
0	0	1	133	100	33.3
0	1	0	200	100	33.3
0	1	1	166	100	33.3
1	0	0	333	100	33.3
1	0	1	100	100	33.3
1	1	0	400	100	33.3
1	1	1	Reserve		

CPU_BSEL	CPU_BSEL2 (FSC)	CPU_BSEL1 (FSB)
133	0	0
166	0	1

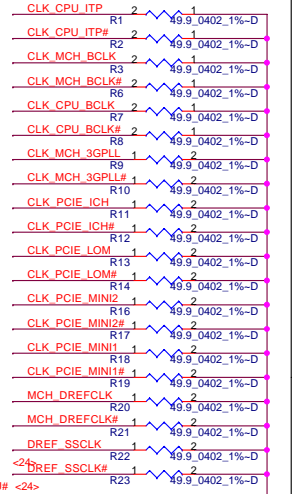
FCTSEL1	PIN43	PIN44	PIN47	PIN48
0	DOT96T	DOT96C	96/100M_T	96/100M_C
1	27M_out	27M SSout	SRCT0	SRCC0



Place near each pin
W>40 mil

Place near CK410+

Place crystal within
500 mils of CK410



PROPRIETARY NOTE: THIS SHEET OF ENGINEERING DRAWING AND SPECIFICATIONS CONTAINS CONFIDENTIAL TRADE SECRET AND OTHER PROPRIETARY INFORMATION OF DELL INC. ("DELL"). THIS DOCUMENT MAY NOT BE TRANSMITTED OR COPIED WITHOUT THE EXPRESS WRITTEN AUTHORIZATION OF DELL. IN ADDITION, NEITHER THIS SHEET NOR THE INFORMATION IT CONTAINS MAY BE USED BY OR DISCLOSED TO ANY THIRD PARTY WITHOUT DELL'S EXPRESS WRITTEN CONSENT.



DELL CONFIDENTIAL/PROPRIETARY

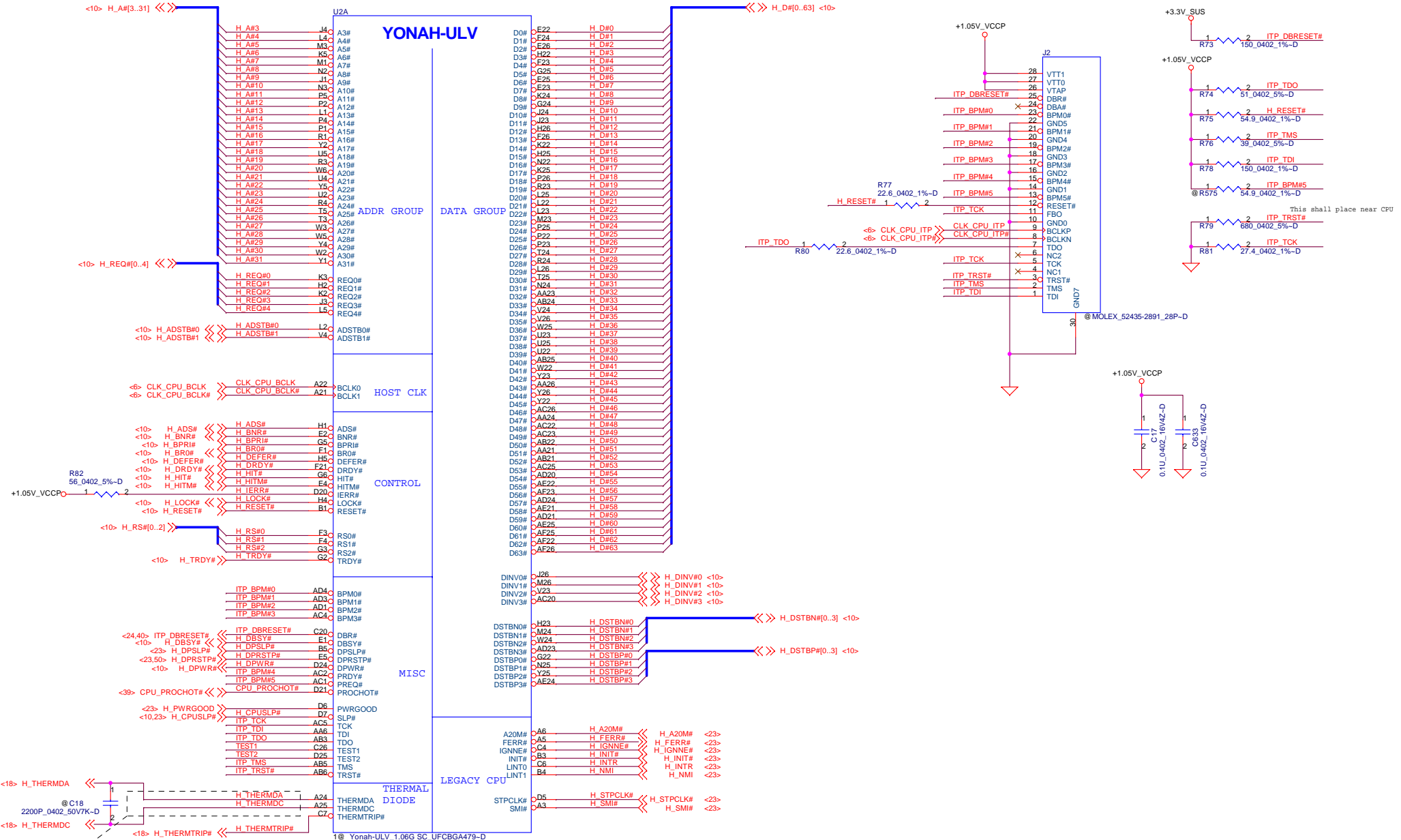
Compal Electronics, Inc.

Clock Generator

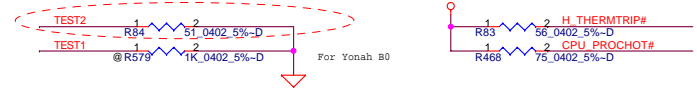
LA-3071P

File	Document Number	Rev
		1.0

Date: Friday, May 12, 2006 Sheet 6 of 59



H_THERMDA, H_THERMDC routing together.
Trace width / Spacing = 10 / 10 mil



PROPRIETARY NOTE: THIS SHEET OF ENGINEERING DRAWING AND SPECIFICATIONS CONTAINS CONFIDENTIAL TRADE SECRET AND OTHER PROPRIETARY INFORMATION OF DELL INC. ("DELL"). THIS DOCUMENT MAY NOT BE TRANSMITTED OR COPIED WITHOUT THE EXPRESS WRITTEN AUTHORIZATION OF DELL. IN ADDITION, NEITHER THIS SHEET NOR THE INFORMATION IT CONTAINS MAY BE USED BY OR DISCLOSED TO ANY THIRD PARTY WITHOUT DELL'S EXPRESS WRITTEN CONSENT.

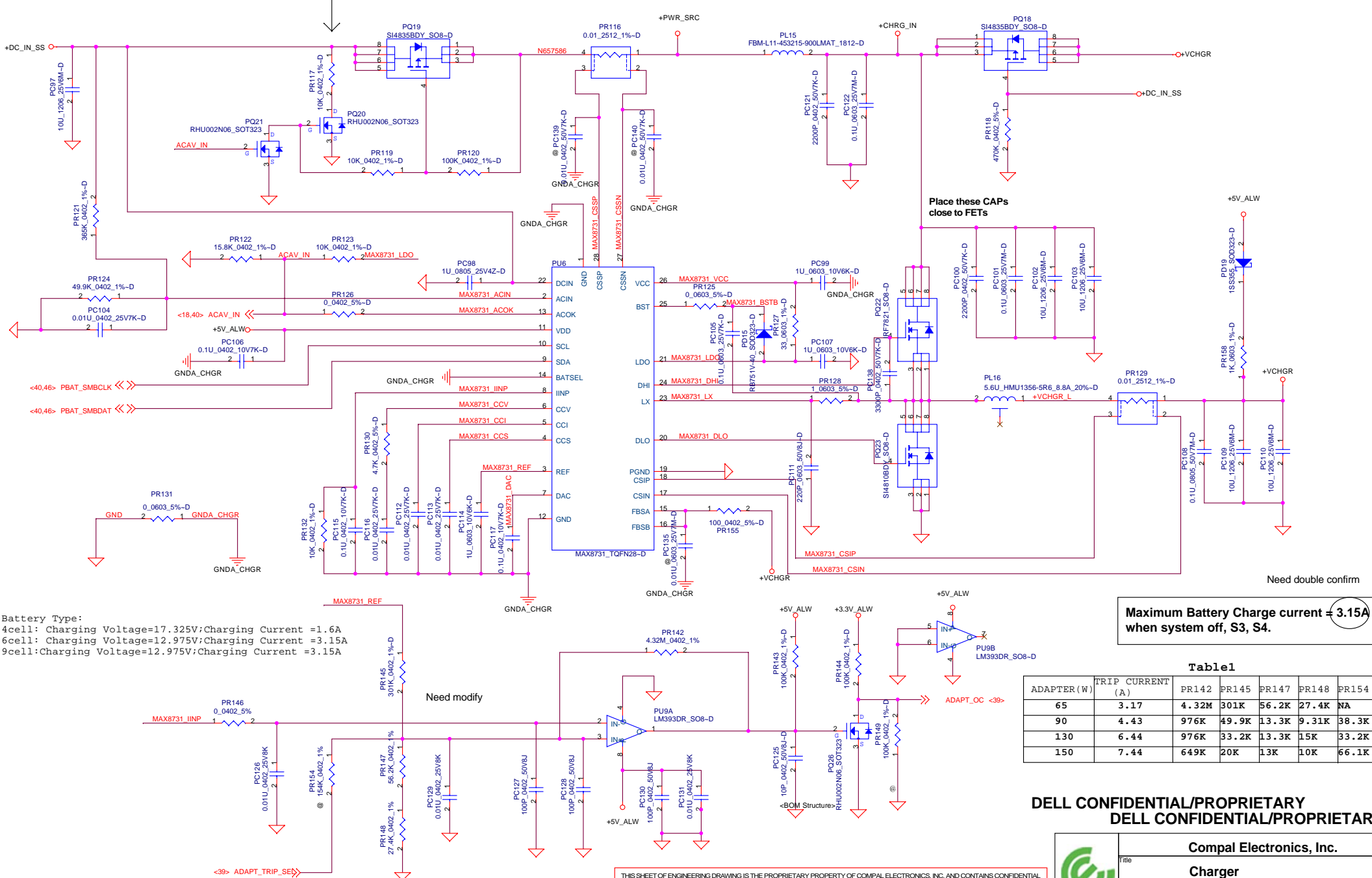


DELL CONFIDENTIAL/PROPRIETARY

Compal Electronics, Inc.			
Yonah-ULV in mFCPGA479			
Title	Document Number	Rev	
	LA-3071P	1.0	
Date:	Friday, May 12, 2006	Sheet	7 of 59

+DC_IN discharge path

Smart Charger



Battery Type:
 4cell: Charging Voltage=17.325V;Charging Current =1.6A
 6cell: Charging Voltage=12.975V;Charging Current = 3.15A
 9cell:Charging Voltage=12.975V;Charging Current = 3.15A

Maximum Battery Charge current = 3.15A when system off, S3, S4.

Table1

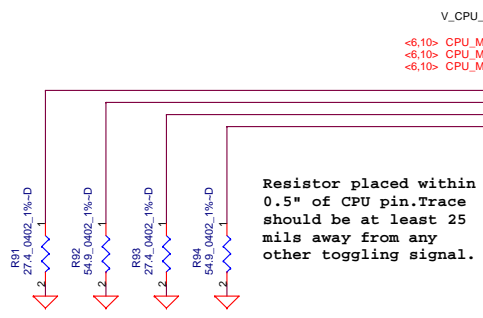
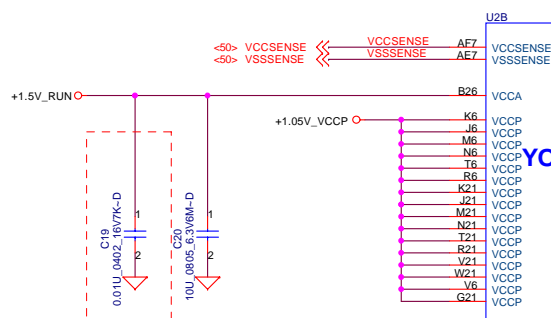
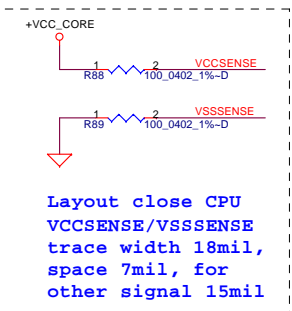
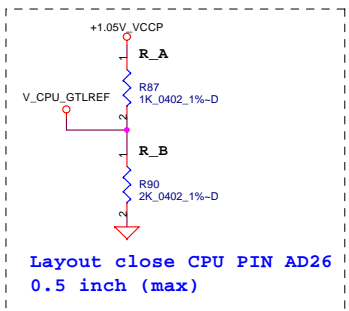
ADAPTER (W)	TRIP CURRENT (A)	PR142	PR145	PR147	PR148	PR154
65	3.17	4.32M	301K	56.2K	27.4K	NA
90	4.43	976K	49.9K	13.3K	9.31K	38.3K
130	6.44	976K	33.2K	13.3K	1.5K	33.2K
150	7.44	649K	20K	13K	10K	66.1K

DELL CONFIDENTIAL/PROPRIETARY
 DELL CONFIDENTIAL/PROPRIETARY

Compal Electronics, Inc.
Charger
 LA-3071P
 Date: Friday, May 12, 2006 Sheet 7 of 10

THIS SHEET OF ENGINEERING DRAWING IS THE PROPRIETARY PROPERTY OF COMPAL ELECTRONICS, INC. AND CONTAINS CONFIDENTIAL AND TRADE SECRET INFORMATION. THIS SHEET MAY NOT BE TRANSFERRED FROM THE CUSTODY OF THE COMPETENT DIVISION OF R&D DEPARTMENT EXCEPT AS AUTHORIZED BY COMPAL ELECTRONICS, INC. NEITHER THIS SHEET NOR THE INFORMATION IT CONTAINS MAY BE USED BY OR DISCLOSED TO ANY THIRD PARTY WITHOUT PRIOR WRITTEN CONSENT OF COMPAL ELECTRONICS, INC.

Length match within 25 mils

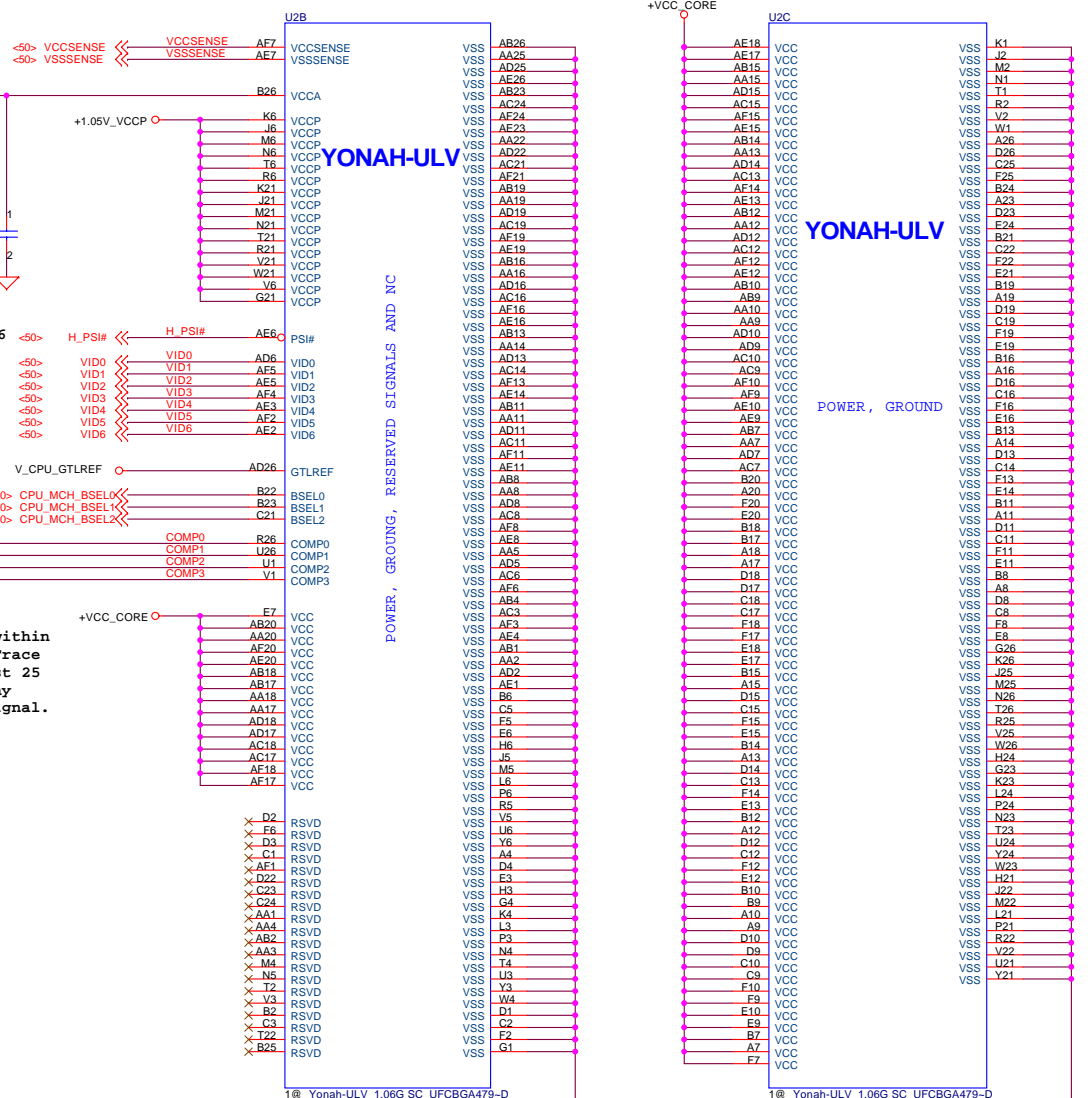


CPU_BSEL	CPU_BSEL2	CPU_BSEL1	CPU_BSEL0
133	0	0	1
166	0	1	1

YONAH-ULV

YONAH-ULV

POWER, GROUND, RESERVED SIGNALS AND NC



1 © Yonah-ULV_1.06G_SC_UFCBGA479-D

1 © Yonah-ULV_1.06G_SC_UFCBGA479-D

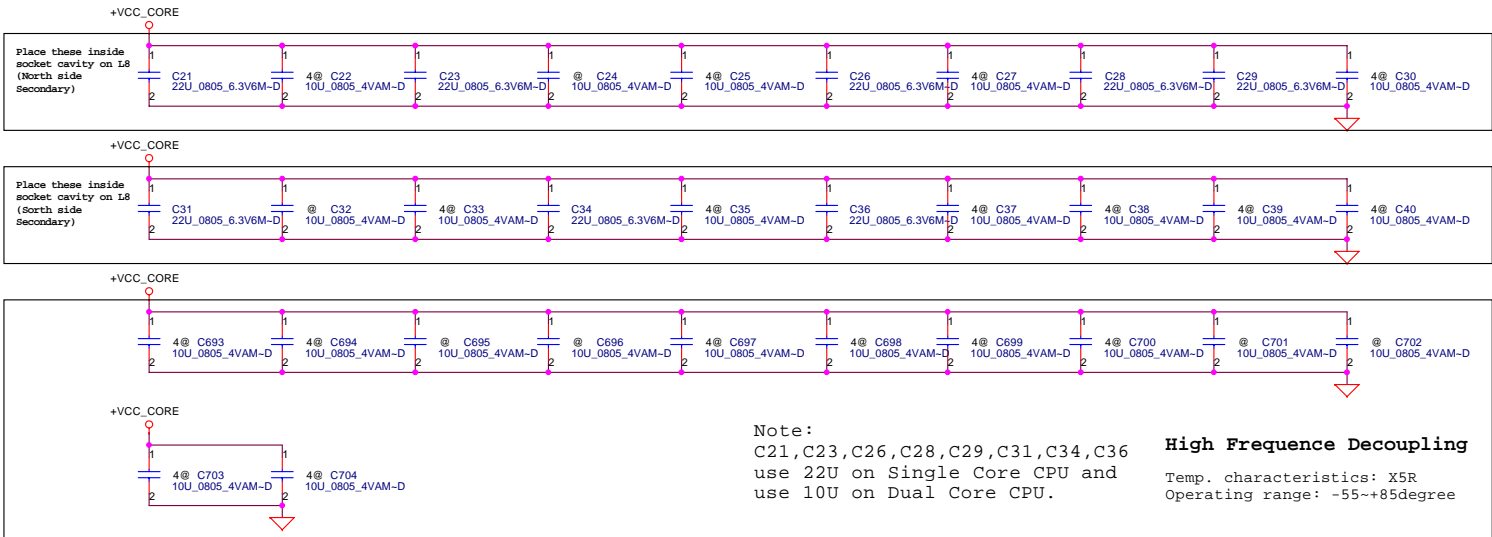
DELL CONFIDENTIAL/PROPRIETARY

Compal Electronics, Inc.



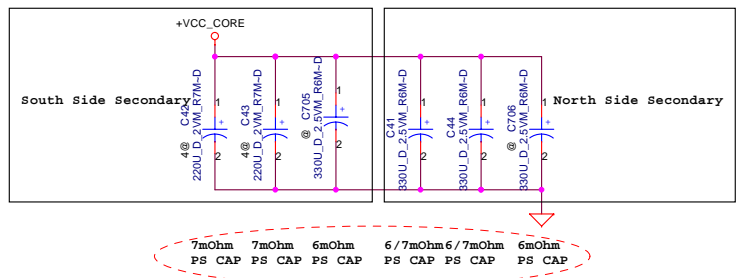
Title			Yonah-ULV in mFCBGA479	
Size	Document Number	LA-3071P		Rev
Date	Friday, May 12, 2006	Sheet	8	of 59

PROPRIETARY NOTE: THIS SHEET OF ENGINEERING DRAWING AND SPECIFICATIONS CONTAINS CONFIDENTIAL TRADE SECRET AND OTHER PROPRIETARY INFORMATION OF DELL INC. ("DELL"). THIS DOCUMENT MAY NOT BE TRANSMITTED OR COPIED WITHOUT THE EXPRESS WRITTEN AUTHORIZATION OF DELL. IN ADDITION, NEITHER THIS SHEET NOR THE INFORMATION IT CONTAINS MAY BE USED BY OR DISCLOSED TO ANY THIRD PARTY WITHOUT DELL'S EXPRESS WRITTEN CONSENT.

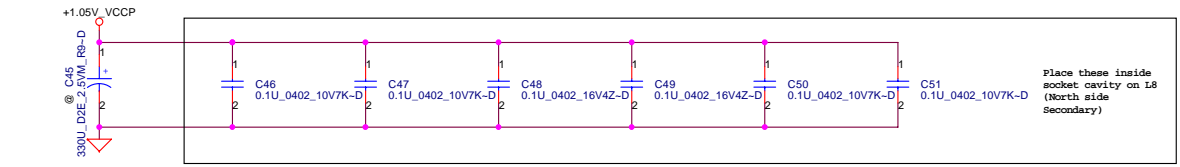


Note:
 C21,C23,C26,C28,C29,C31,C34,C36 use 220u on Single Core CPU and use 100u on Dual Core CPU.
High Frequency Decoupling
 Temp. characteristics: X5R
 Operating range: -55~+85degree

Near VCORE regulator.



Note:
 C42,C43,C41,C44 will change to 220u 2.5V 6M on Dual Core CPU for CPU transition noise
ESR <= 1.5m ohm
Capacitor = 1320uF



BOM introduction

BOM	CPU speed	CPU type	P/N	TAA	Use of decoupling
1@	1.06G 5.5W	Signal core	SA00000Z33L	W/O	1. 220uF poly cap 2pcs 2. 22uF MLCC cap 8pcs
2@	1.2G 5.5W		SA000017Z2L		
3@	1.06G-7.5W	Dual core	SA00000Z33L	W/O	1. 220uF poly cap 4pcs 2. 10uF MLCC cap 26pcs
4@	1.2G 9.5W		SA00001CF1L		
5@				W	
6@	1.2G	Signal core	SA000017Z2L	W	1. 220uF poly cap 2pcs 2. 22uF MLCC cap 8pcs
8@	1.06G 5.5W		SA00000Z33L		

2@ Yonah-ULV 1.2G SC UFCBGA479-D	
Part Number	Description
SA000017Z2L	S IC L880538U80092M SL8W6 1.2G C0 FCBGA

6@ Yonah-ULV 1.2G SC UFCBGA479-D	
Part Number	Description
SA000017Z2L	S IC L880538U80092M SL8W6 1.2G C0 FCBGA

4@ Yonah-ULV 1.2G DC UFCBGA479-D	
Part Number	Description
SA00001CF1L	S IC YONAH ULV QKEY 1.2G C0 FCBGA 479P

8@ Yonah-ULV 1.06G SC UFCBGA479-D	
Part Number	Description
SA00000Z33L	S IC L880538U80042M SL8W7 1.06G C0 FCBGA

5@ Yonah-ULV 1.2G DC UFCBGA479-D	
Part Number	Description
SA00001CF1L	S IC YONAH ULV QKEY 1.2G C0 FCBGA 479P

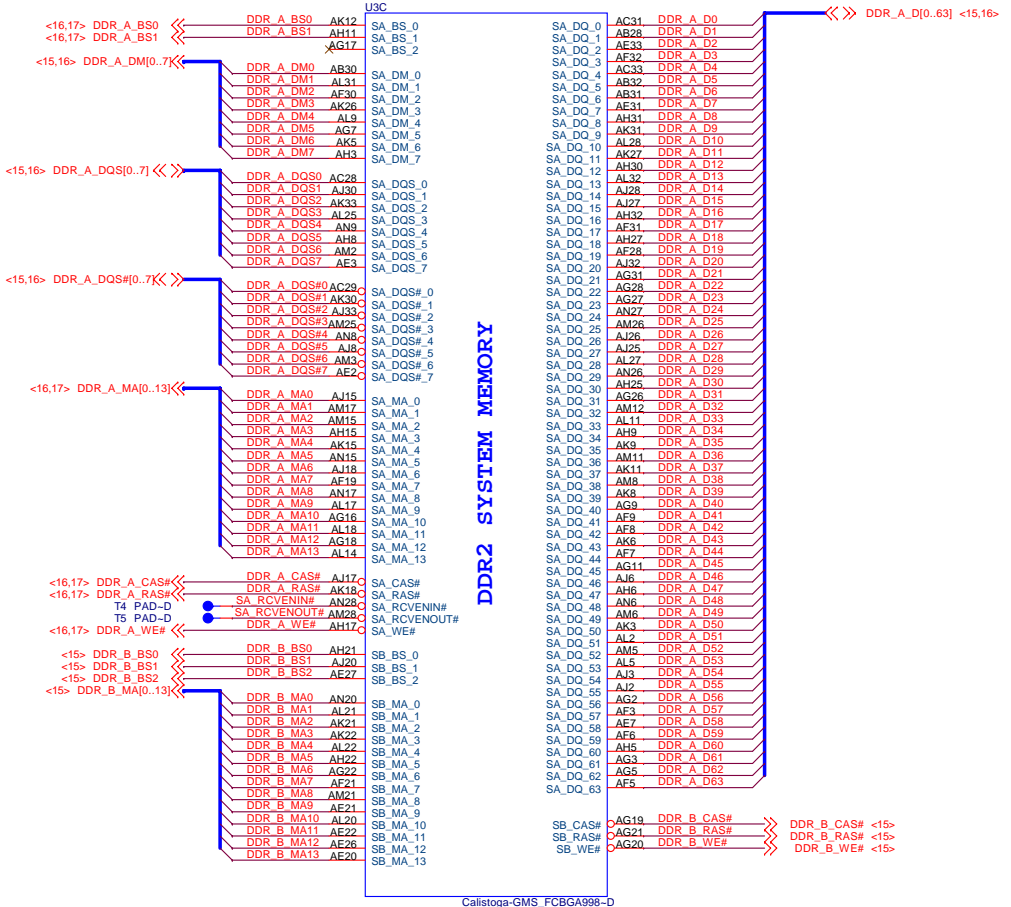
DELL CONFIDENTIAL/PROPRIETARY

Compal Electronics, Inc.



CPU Bypass		
Title	Document Number	Rev
	LA-3071P	1.0
Date:	Friday, May 12, 2006	Sheet 9 of 59

PROPRIETARY NOTE: THIS SHEET OF ENGINEERING DRAWING AND SPECIFICATIONS CONTAINS CONFIDENTIAL TRADE SECRET AND OTHER PROPRIETARY INFORMATION OF DELL INC. ('DELL'). THIS DOCUMENT MAY NOT BE TRANSFERRED OR COPIED WITHOUT THE EXPRESS WRITTEN AUTHORIZATION OF DELL. IN ADDITION, NEITHER THIS SHEET NOR THE INFORMATION IT CONTAINS MAY BE USED BY OR DISCLOSED TO ANY THIRD PARTY WITHOUT DELL'S EXPRESS WRITTEN CONSENT.



DDR2 SYSTEM MEMORY

Calistoga-GMS_FCBGA998-D

PROPRIETARY NOTE: THIS SHEET OF ENGINEERING DRAWING AND SPECIFICATIONS CONTAINS CONFIDENTIAL TRADE SECRET AND OTHER PROPRIETARY INFORMATION OF DELL INC. ("DELL"). THIS DOCUMENT MAY NOT BE TRANSFERRED OR COPIED WITHOUT THE EXPRESS WRITTEN AUTHORIZATION OF DELL. IN ADDITION, NEITHER THIS SHEET NOR THE INFORMATION IT CONTAINS MAY BE USED BY OR DISCLOSED TO ANY THIRD PARTY WITHOUT DELL'S EXPRESS WRITTEN CONSENT.



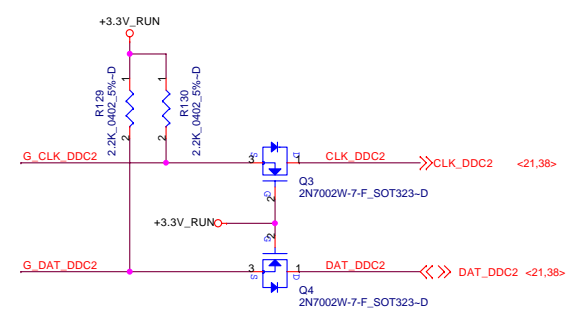
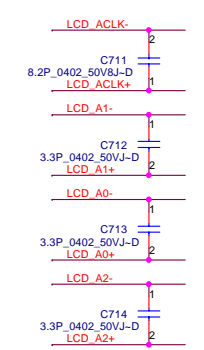
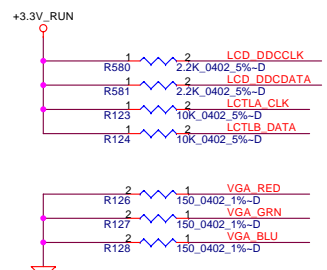
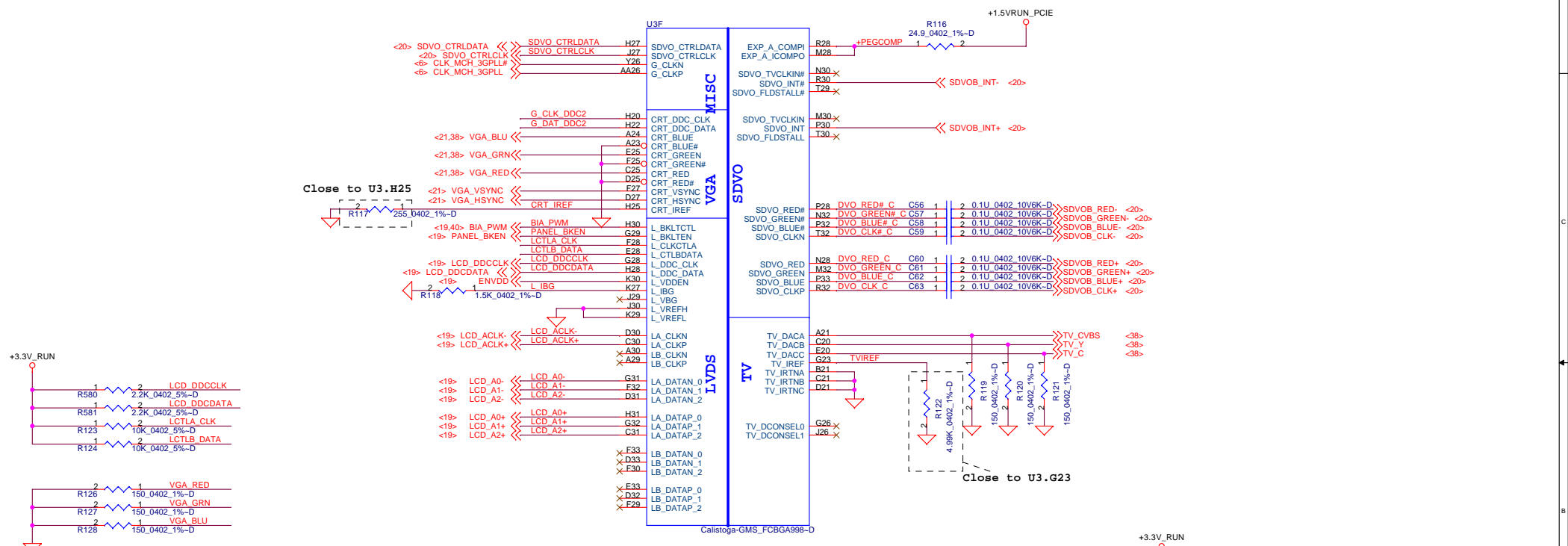
DELL CONFIDENTIAL/PROPRIETARY

Compal Electronics, Inc.

Calistoga(2 of 5)

LA-3071P

Title	Calistoga(2 of 5)		
Size	Document Number	Rev	1.0
Date	Friday, May 12, 2006	Sheet	11 of 59



PROPRIETARY NOTE: THIS SHEET OF ENGINEERING DRAWING AND SPECIFICATIONS CONTAINS CONFIDENTIAL TRADE SECRET AND OTHER PROPRIETARY INFORMATION OF DELL INC. ("DELL"). THIS DOCUMENT MAY NOT BE TRANSMITTED OR COPIED WITHOUT THE EXPRESS WRITTEN AUTHORIZATION OF DELL. IN ADDITION, NEITHER THIS SHEET NOR THE INFORMATION IT CONTAINS MAY BE USED BY OR DISCLOSED TO ANY THIRD PARTY WITHOUT DELL'S EXPRESS WRITTEN CONSENT.

DELL CONFIDENTIAL/PROPRIETARY

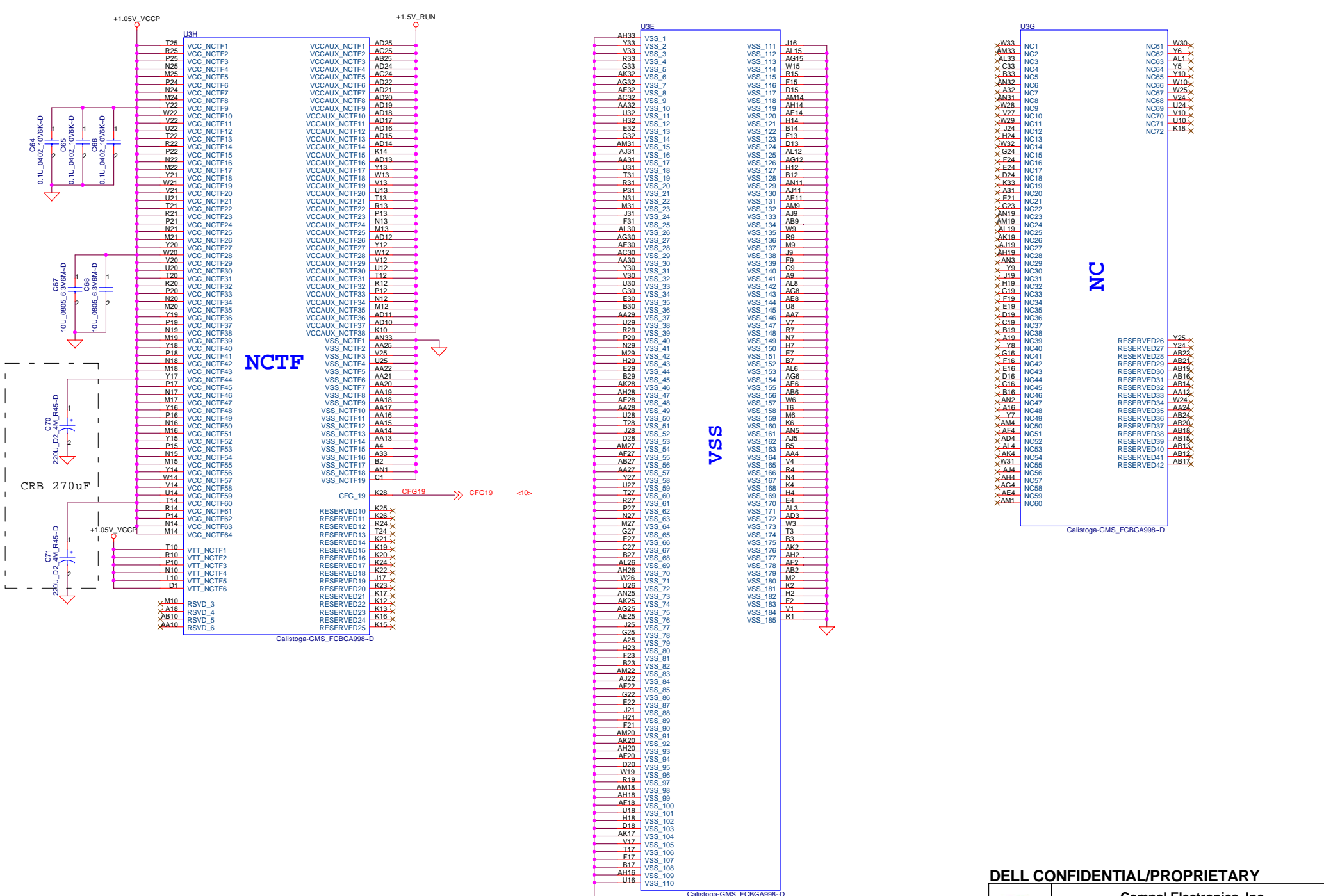
Compal Electronics, Inc.

Calistoga(3 of 5)

LA-3071P

Rev 1.0

Date: Friday, May 12, 2006 Sheet 12 of 59




NCTF

VSS

NC

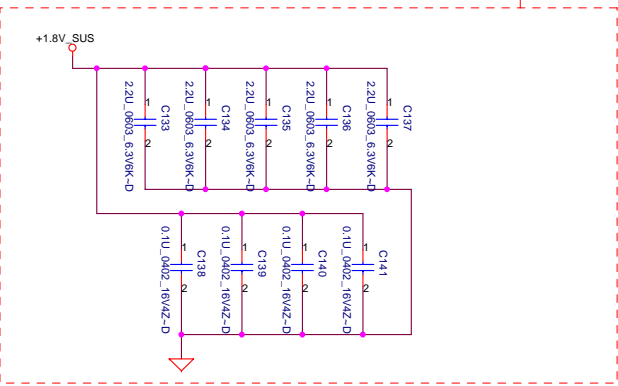
DELL CONFIDENTIAL/PROPRIETARY

			
Compal Electronics, Inc.			
Calistoga(4 of 5)			
File	Document Number	Rev	
	LA-3071P	1.0	
Date:	Friday, May 12, 2006	Sheet	13 of 59

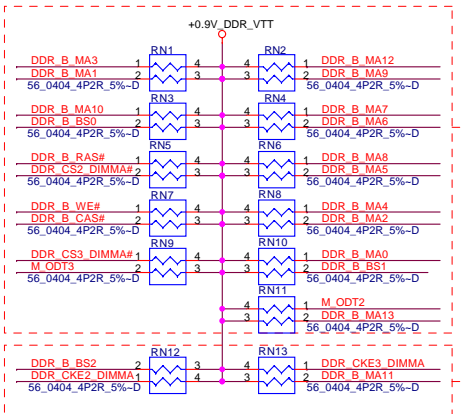
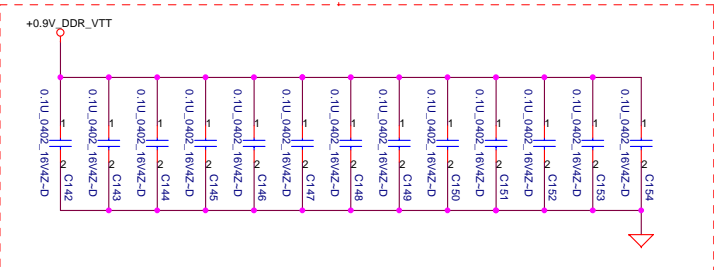
PROPRIETARY NOTE: THIS SHEET OF ENGINEERING DRAWING AND SPECIFICATIONS CONTAINS CONFIDENTIAL, TRADE SECRET AND OTHER PROPRIETARY INFORMATION OF DELL INC. ("DELL"). THIS DOCUMENT MAY NOT BE TRANSFERRED OR COPIED WITHOUT THE EXPRESS WRITTEN AUTHORIZATION OF DELL. IN ADDITION, NEITHER THIS SHEET NOR THE INFORMATION IT CONTAINS MAY BE USED BY OR DISCLOSED TO ANY THIRD PARTY WITHOUT DELL'S EXPRESS WRITTEN CONSENT.

<11,16> DDR_A_DQS#[0..7] <<>>
 <11,16> DDR_A_D[0..63] <<>>
 <11,16> DDR_A_DM[0..7] <<>>
 <11,16> DDR_A_DQS#[0..7] <<>>
 <1> DDR_B_MA[0..13] <<>>

Layout Note:
Place near JDIM1



Layout Note:
Place one cap close to every 2 pullup resistors terminated to +0.9V_DDR_VTT



Layout Note:
Place these resistor closely DIMM0, all trace length < 750 mil

Layout Note:
Place these resistor closely DIMM0, all trace length Max=1.3"

ON Bottom SIDE



DELL CONFIDENTIAL/PROPRIETARY

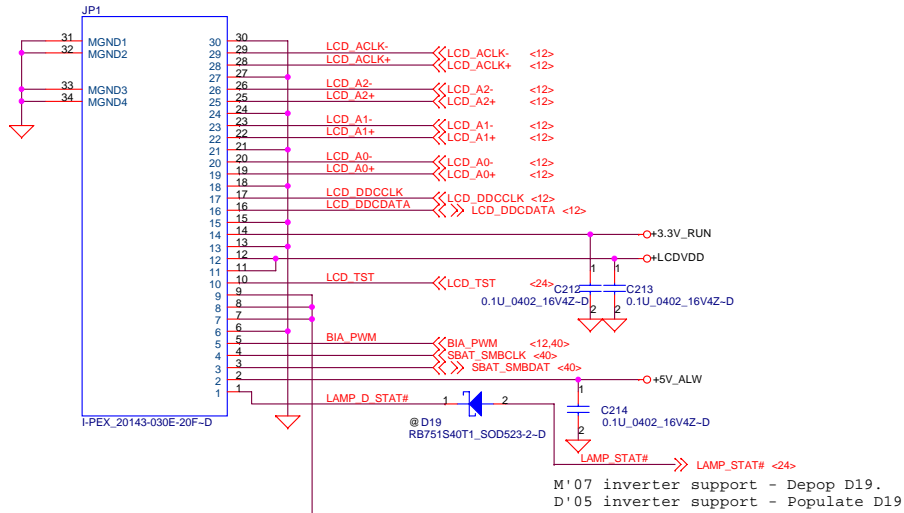
Compal Electronics, Inc.

DDR11-SODIMM SLOT1

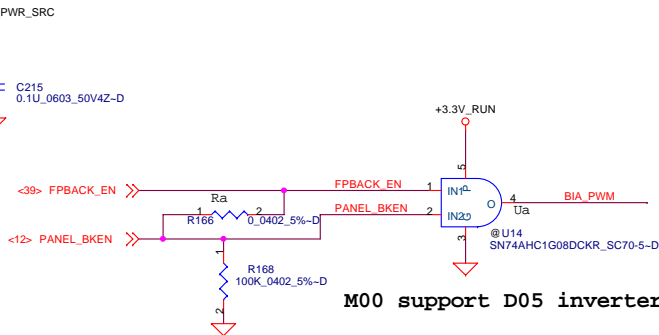
LA-3071P

Friday, May 12, 2006 Sheet 15 of 59

PROPRIETARY NOTE: THIS SHEET OF ENGINEERING DRAWING AND SPECIFICATIONS CONTAINS CONFIDENTIAL TRADE SECRET AND OTHER PROPRIETARY INFORMATION OF DELL INC. ("DELL"). THIS DOCUMENT MAY NOT BE TRANSMITTED OR COPIED WITHOUT THE EXPRESS WRITTEN AUTHORIZATION OF DELL. IN ADDITION, NEITHER THIS SHEET NOR THE INFORMATION IT CONTAINS MAY BE USED BY OR DISCLOSED TO ANY THIRD PARTY WITHOUT DELL'S EXPRESS WRITTEN CONSENT.

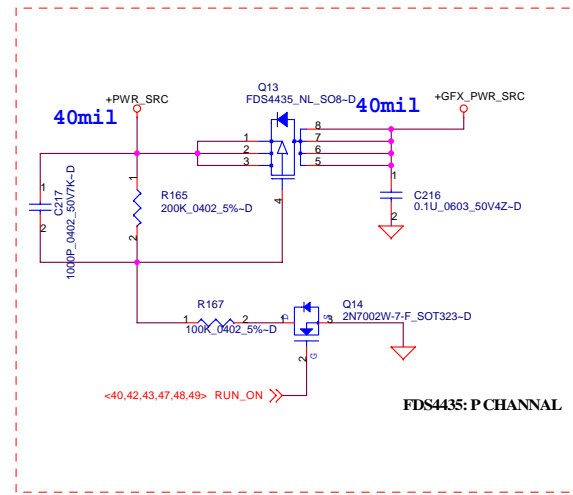
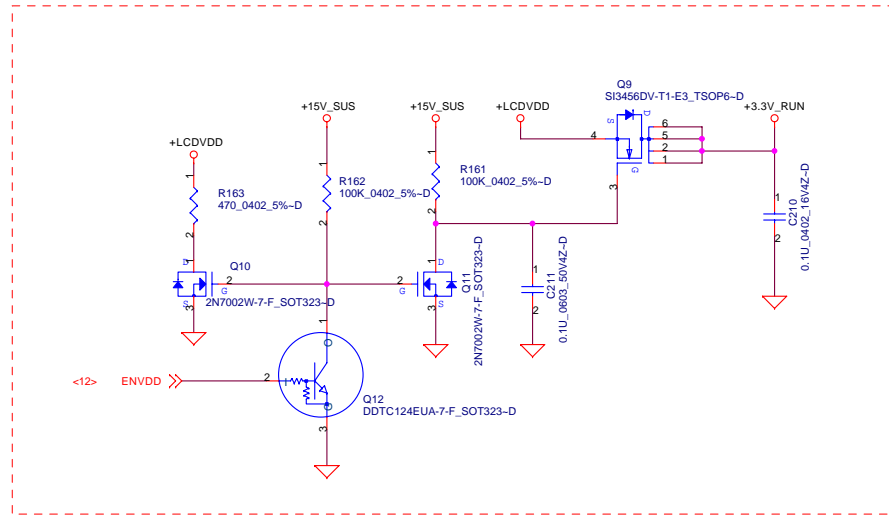


M'07 inverter support - Depop D19.
D'05 inverter support - Populate D19



M00 support D05 inverter

M'07 inverter support - Populate Ra,U54 Depop Ua.
D'05 inverter support - Populate Ua, Depop Ra,U54



FDS4435: P CHANNEL

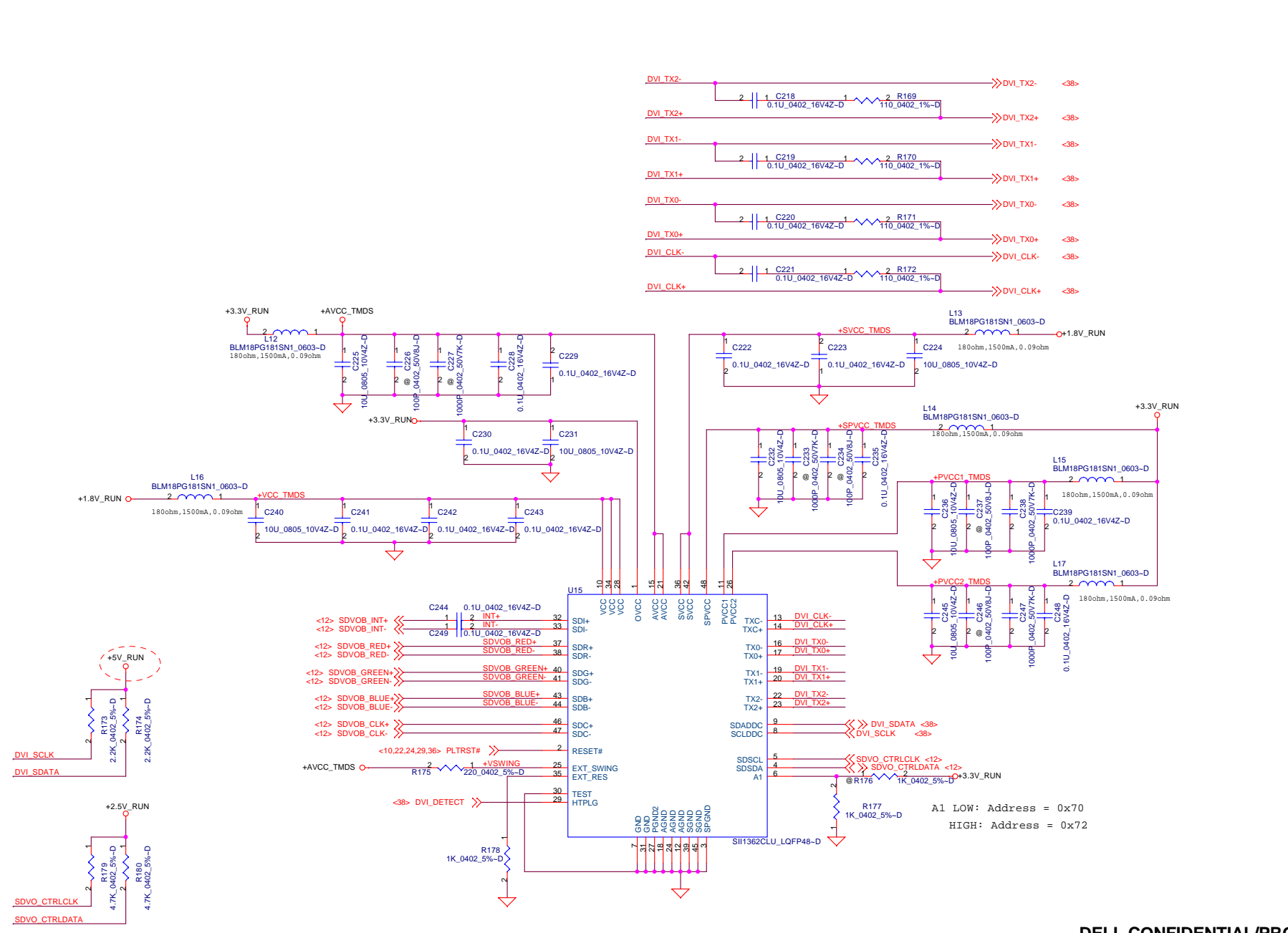
DELL CONFIDENTIAL/PROPRIETARY

Compal Electronics, Inc.

Title		
Internal LVDS		
Size	Document Number	Rev
	LA-3071P	1.0
Date:	Friday, May 12, 2006	Sheet 19 of 59

PROPRIETARY NOTE: THIS SHEET OF ENGINEERING DRAWINGS AND SPECIFICATIONS CONTAINS CONFIDENTIAL TRADE SECRET AND OTHER PROPRIETARY INFORMATION OF DELL, INC. ("DELL"). THIS DOCUMENT MAY NOT BE TRANSFERRED OR COPIED WITHOUT THE EXPRESS WRITTEN AUTHORIZATION OF DELL. IN ADDITION, NEITHER THIS SHEET NOR THE INFORMATION IT CONTAINS MAY BE USED BY OR DISCLOSED TO ANY THIRD PARTY WITHOUT DELL'S EXPRESS WRITTEN CONSENT.





A1 LOW: Address = 0x70
HIGH: Address = 0x72

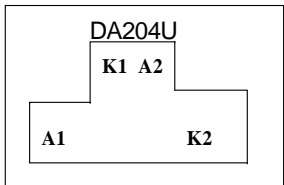
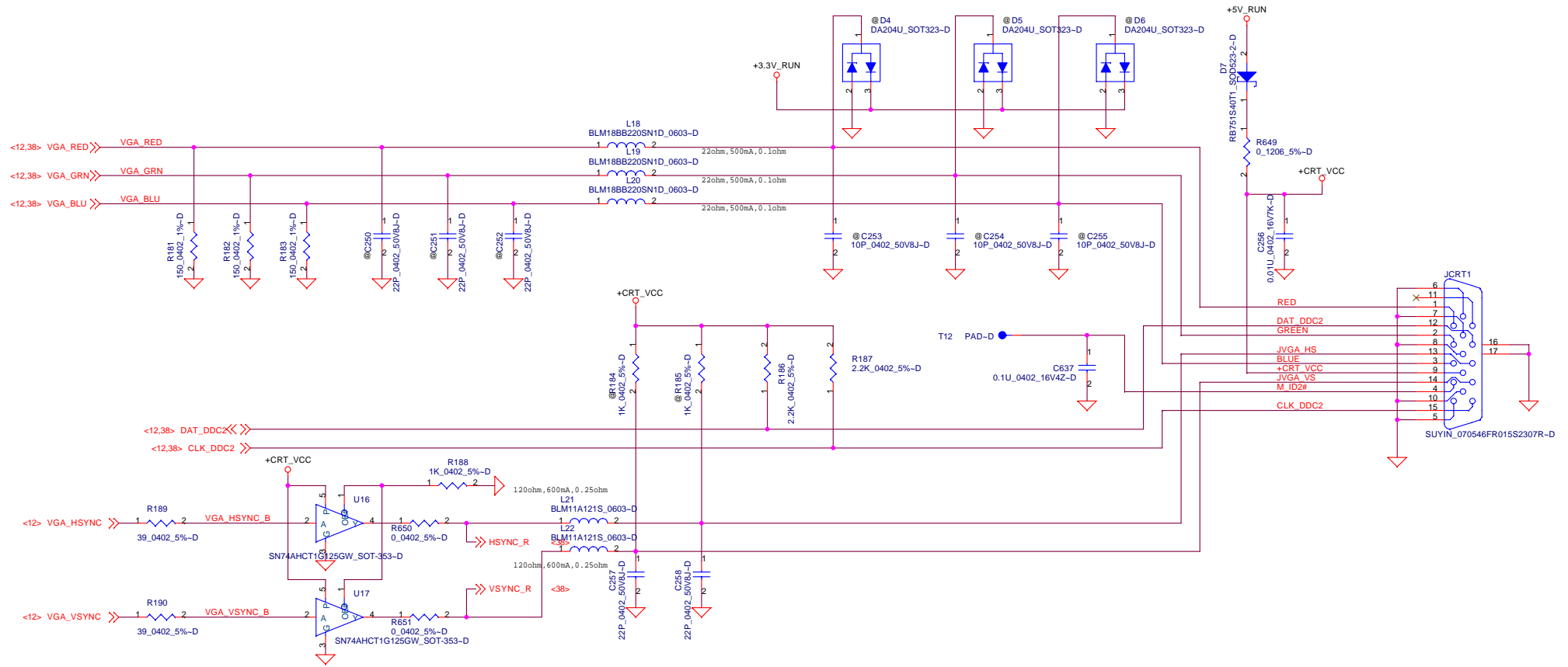
DELL CONFIDENTIAL/PROPRIETARY

Compal Electronics, Inc.



Internal LVDS		
LA-3071P	Rev 1.0	
Date: Friday, May 12, 2006	Sheet 20 of 59	

PROPRIETARY NOTE: THIS SHEET OF ENGINEERING DRAWING AND SPECIFICATIONS CONTAINS CONFIDENTIAL TRADE SECRET AND OTHER PROPRIETARY INFORMATION OF DELL INC. ("DELL"). THIS DOCUMENT MAY NOT BE TRANSFERRED OR COPIED WITHOUT THE EXPRESS WRITTEN AUTHORIZATION OF DELL. IN ADDITION, NEITHER THIS SHEET NOR THE INFORMATION IT CONTAINS MAY BE USED BY OR DISCLOSED TO ANY THIRD PARTY WITHOUT DELL'S EXPRESS WRITTEN CONSENT.



PROPRIETARY NOTE: THIS SHEET OF ENGINEERING DRAWING AND SPECIFICATIONS CONTAINS CONFIDENTIAL TRADE SECRET AND OTHER PROPRIETARY INFORMATION OF DELL INC. ("DELL"). THIS DOCUMENT MAY NOT BE TRANSFERRED OR COPIED WITHOUT THE EXPRESS WRITTEN AUTHORIZATION OF DELL. IN ADDITION, NEITHER THIS SHEET NOR THE INFORMATION IT CONTAINS MAY BE USED BY OR DISCLOSED TO ANY THIRD PARTY WITHOUT DELL'S EXPRESS WRITTEN CONSENT.



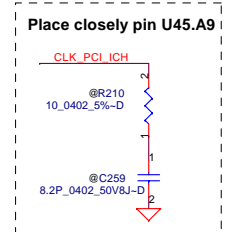
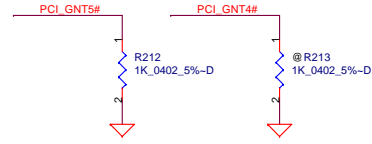
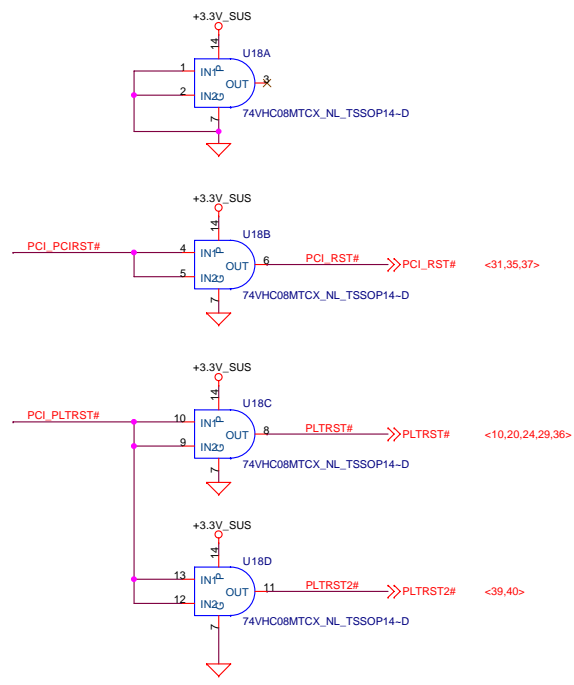
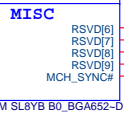
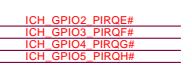
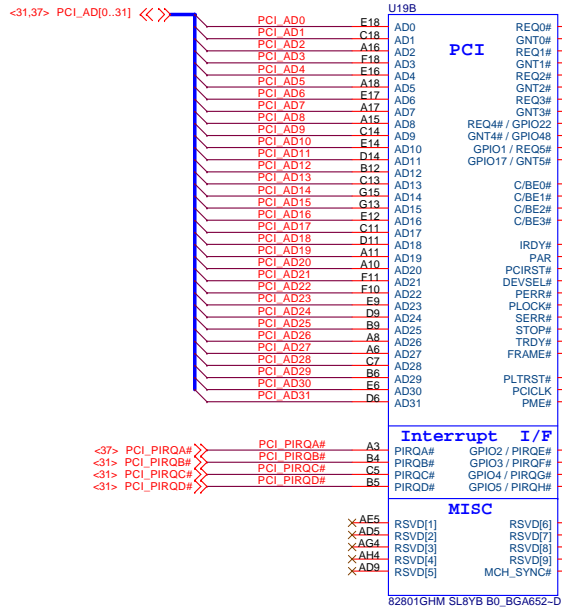
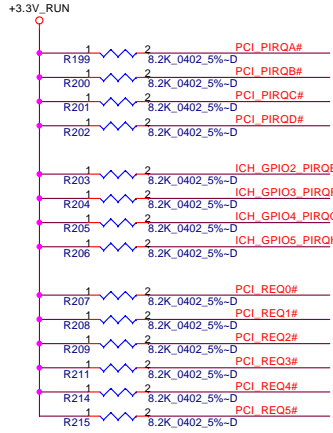
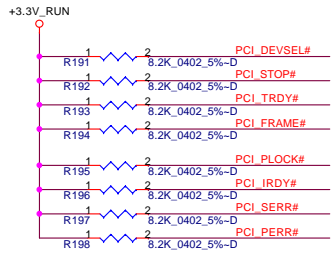
DELL CONFIDENTIAL/PROPRIETARY

Compal Electronics, Inc.

CRT Connector

LA-3071P

Title	CRT Connector		Rev	1.0
Size	Document Number			
Date:	Friday, May 12, 2006	Sheet	21	of 59



	GNT5# R214	GNT4# R213
LPC (11)	unstuff	unstuff
PCI (10)	unstuff	stuff
SPI (01)	stuff	unstuff

DELL CONFIDENTIAL/PROPRIETARY

Compal Electronics, Inc.

Title: ICH7(1/4)

Size: Document Number

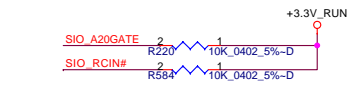
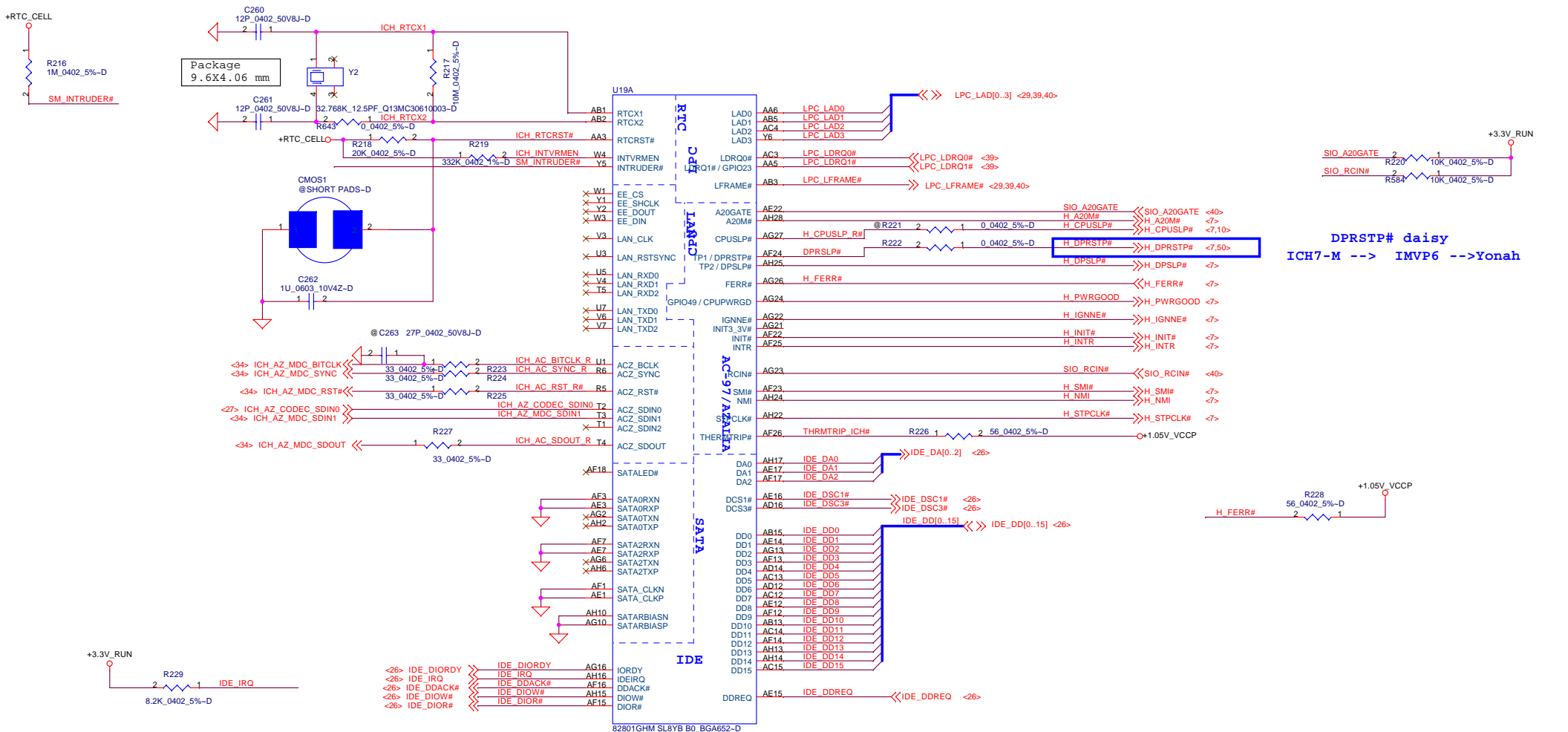
Date: Friday, May 12, 2006

Sheet: 22 of 59

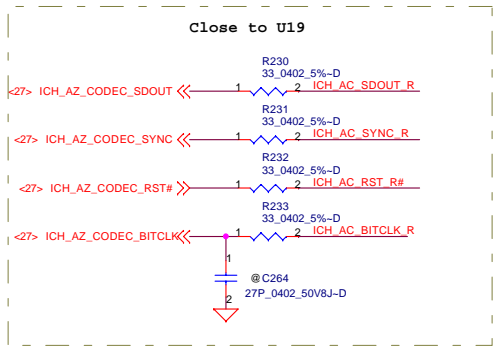
Rev: 1.0

LA-3071P

PROPRIETARY NOTE: THIS SHEET OF ENGINEERING DRAWING AND SPECIFICATIONS CONTAINS CONFIDENTIAL TRADE SECRET AND OTHER PROPRIETARY INFORMATION OF DELL INC. ("DELL"). THIS DOCUMENT MAY NOT BE TRANSMITTED OR COPIED WITHOUT THE EXPRESS WRITTEN AUTHORIZATION OF DELL. IN ADDITION, NEITHER THIS SHEET NOR THE INFORMATION IT CONTAINS MAY BE USED BY OR DISCLOSED TO ANY THIRD PARTY WITHOUT DELL'S EXPRESS WRITTEN CONSENT.



DPRSTP# daisy
 ICH7-M --> IMVP6 --> Yonah



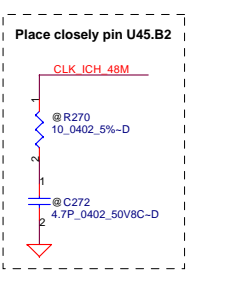
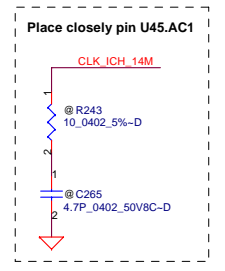
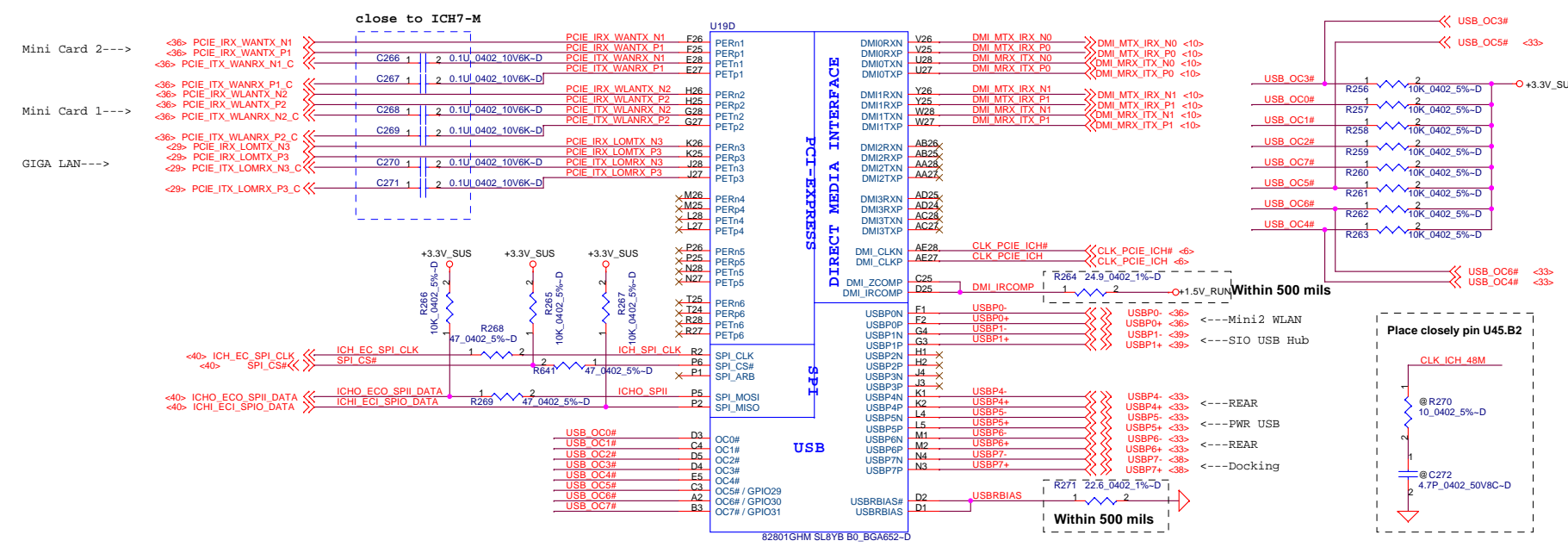
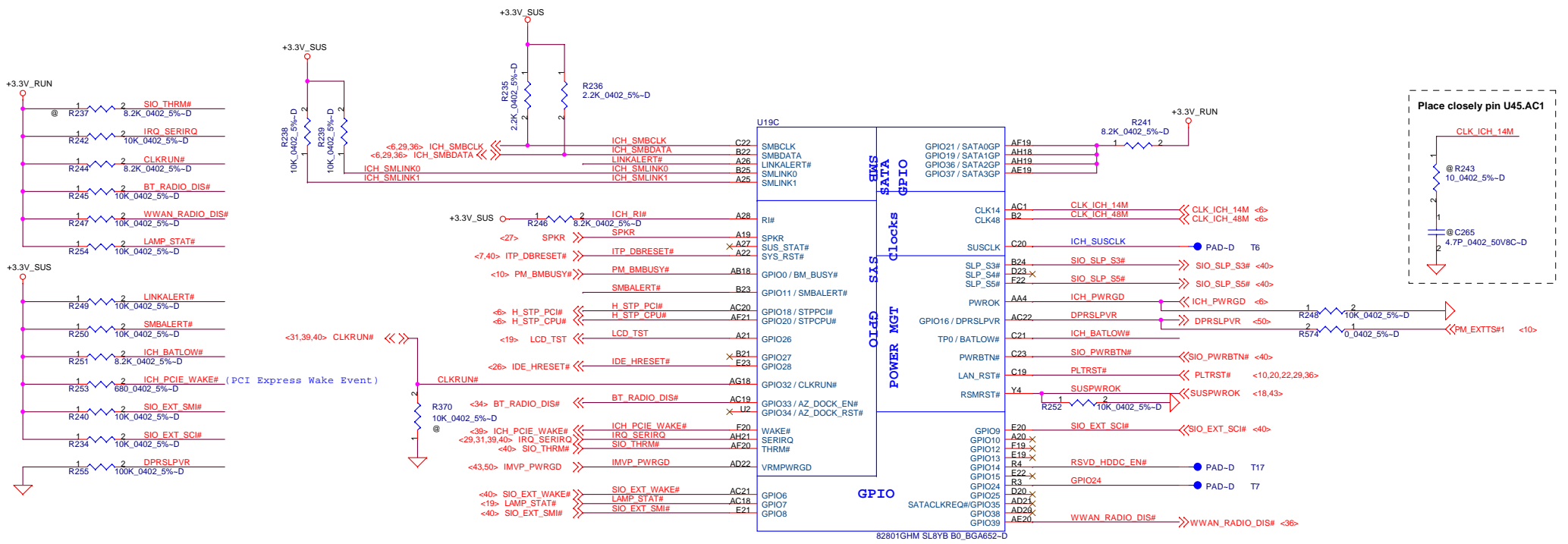
PROPRIETARY NOTE: THIS SHEET OF ENGINEERING DRAWING AND SPECIFICATIONS CONTAINS CONFIDENTIAL TRADE SECRET AND OTHER PROPRIETARY INFORMATION OF DELL INC. ('DELL'). THIS DOCUMENT MAY NOT BE TRANSMITTED OR COPIED WITHOUT THE EXPRESS WRITTEN AUTHORIZATION OF DELL. IN ADDITION, NEITHER THIS SHEET NOR THE INFORMATION IT CONTAINS MAY BE USED BY OR DISCLOSED TO ANY THIRD PARTY WITHOUT DELL'S EXPRESS WRITTEN CONSENT.



DELL CONFIDENTIAL/PROPRIETARY

Compal Electronics, Inc.

Title ICH7(2/4)		
Size	Document Number LA-3071P	Rev 1.0
Date	Friday, May 12, 2006	Sheet 23 of 59



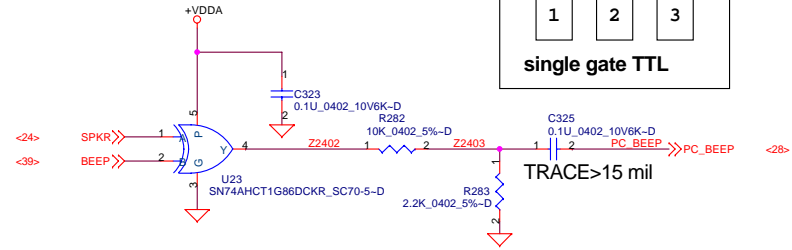
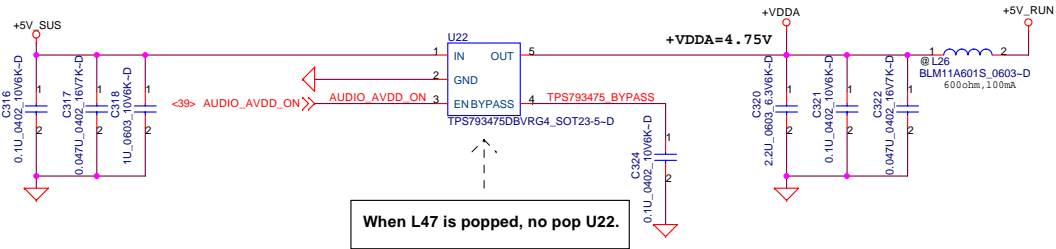
DELL CONFIDENTIAL/PROPRIETARY

Compal Electronics, Inc.

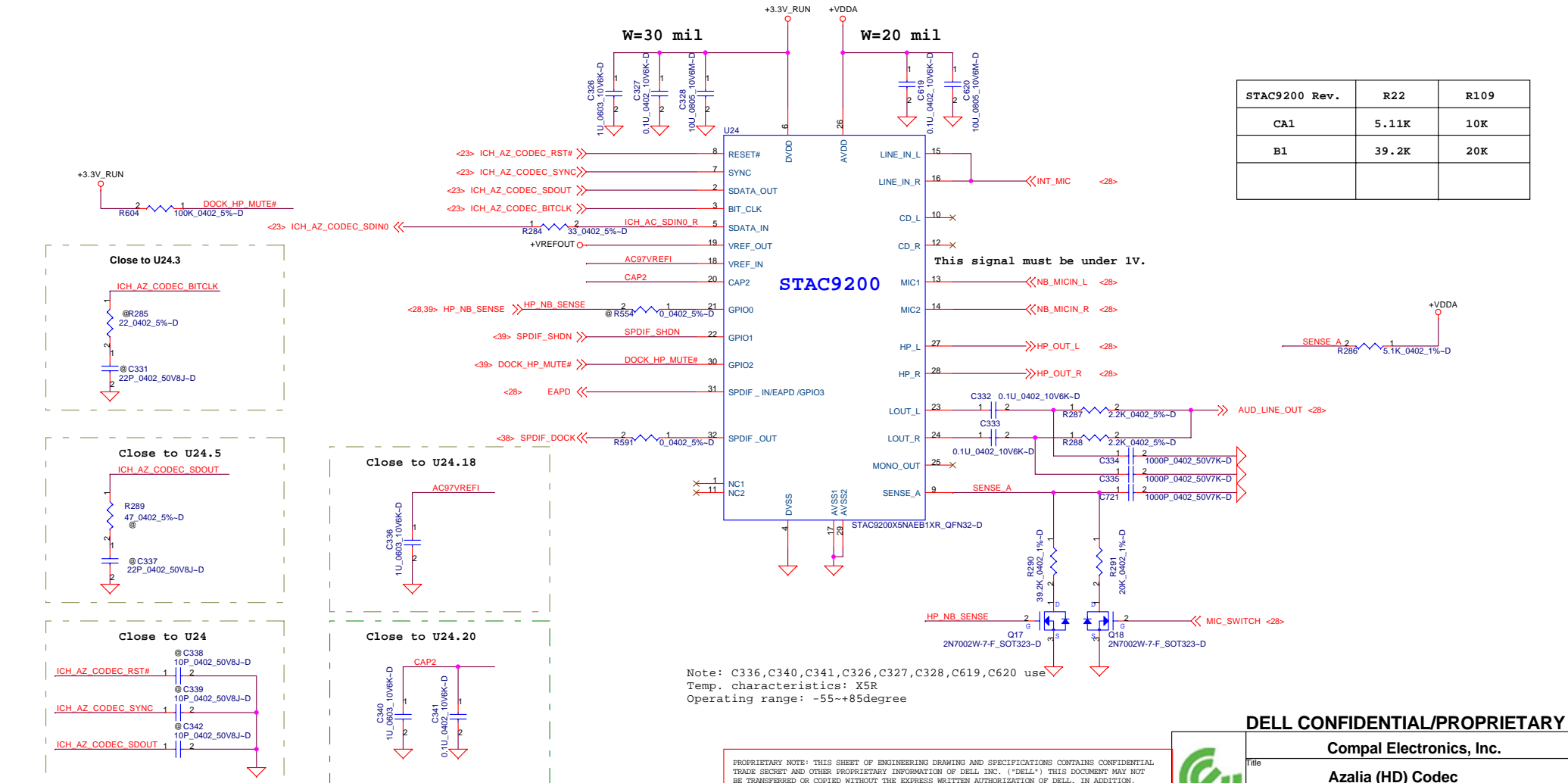
Title			ICH7(3/4)		
Size	Document Number	Rev			
	LA-3071P	1.0			
Date:	Friday, May 12, 2006	Sheet	24	of	59

PROPRIETARY NOTE: THIS SHEET OF ENGINEERING DRAWING AND SPECIFICATIONS CONTAINS CONFIDENTIAL TRADE SECRET AND OTHER PROPRIETARY INFORMATION OF DELL INC. ("DELL"). THIS DOCUMENT MAY NOT BE TRANSMITTED OR COPIED WITHOUT THE EXPRESS WRITTEN AUTHORIZATION OF DELL. IN ADDITION, NEITHER THIS SHEET NOR THE INFORMATION IT CONTAINS MAY BE USED BY OR DISCLOSED TO ANY THIRD PARTY WITHOUT DELL'S EXPRESS WRITTEN CONSENT.





STAC9200 Rev.	R22	R109
CA1	5.11K	10K
B1	39.2K	20K



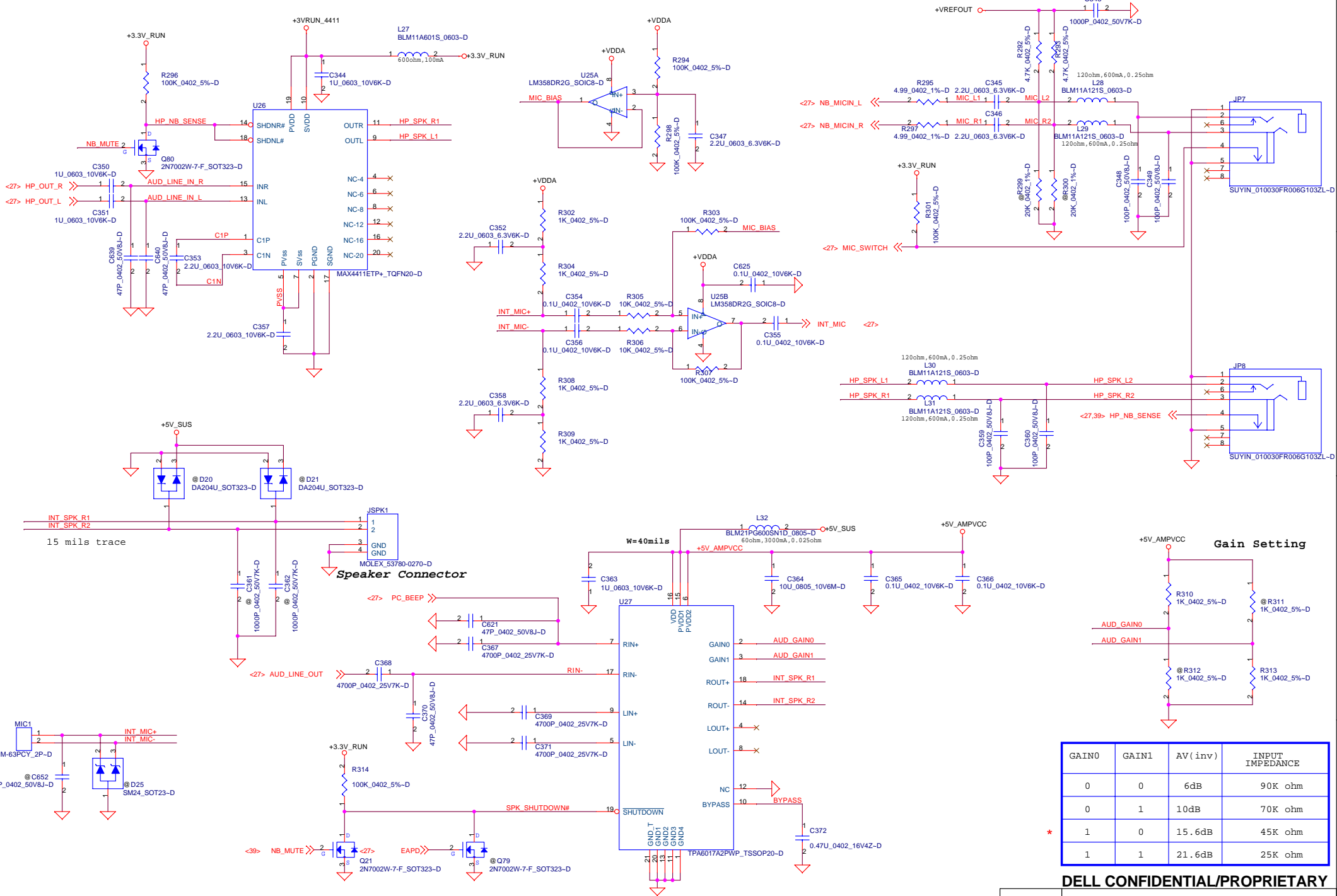
Note: C336, C340, C341, C326, C327, C328, C619, C620 use Temp. characteristics: X5R
Operating range: -55~+85degree

DELL CONFIDENTIAL/PROPRIETARY



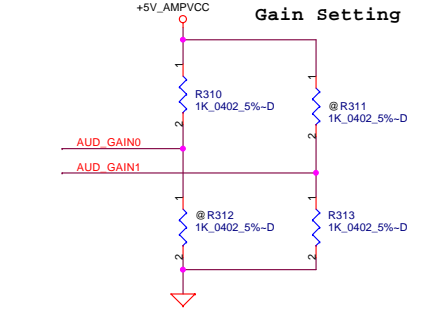
Compal Electronics, Inc.		
Azalia (HD) Codec		
LA-3071P	Rev 1.0	
Date: Friday, May 12, 2006	Sheet 27	of 59

PROPRIETARY NOTE: THIS SHEET OF ENGINEERING DRAWING AND SPECIFICATIONS CONTAINS CONFIDENTIAL TRADE SECRET AND OTHER PROPRIETARY INFORMATION OF DELL INC. ("DELL"). THIS DOCUMENT MAY NOT BE TRANSMITTED OR COPIED WITHOUT THE EXPRESS WRITTEN AUTHORIZATION OF DELL. IN ADDITION, NEITHER THIS SHEET NOR THE INFORMATION IT CONTAINS MAY BE USED BY OR DISCLOSED TO ANY THIRD PARTY WITHOUT DELL'S EXPRESS WRITTEN CONSENT.



Note:
 C343, C344, C345, C346, C350, C351, C353, C354, C355, C356, C357 use
 Temp. characteristics: X5R
 Operating range: -55~+85degree

PROPRIETARY NOTE: THIS SHEET OF ENGINEERING DRAWING AND SPECIFICATIONS CONTAINS CONFIDENTIAL TRADE SECRET AND OTHER PROPRIETARY INFORMATION OF DELL INC. ("DELL") THIS DOCUMENT MAY NOT BE TRANSFERRED OR COPIED WITHOUT THE EXPRESS WRITTEN AUTHORIZATION OF DELL. IN ADDITION, NEITHER THIS SHEET NOR THE INFORMATION IT CONTAINS MAY BE USED BY OR DISCLOSED TO ANY THIRD PARTY WITHOUT DELL'S EXPRESS WRITTEN CONSENT.



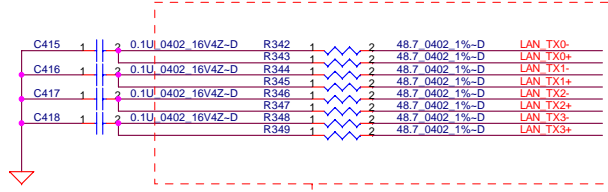
GAIN0	GAIN1	AV (inv)	INPUT IMPEDANCE
0	0	6dB	90K ohm
0	1	10dB	70K ohm
1	0	15.6dB	45K ohm
1	1	21.6dB	25K ohm

DELL CONFIDENTIAL/PROPRIETARY



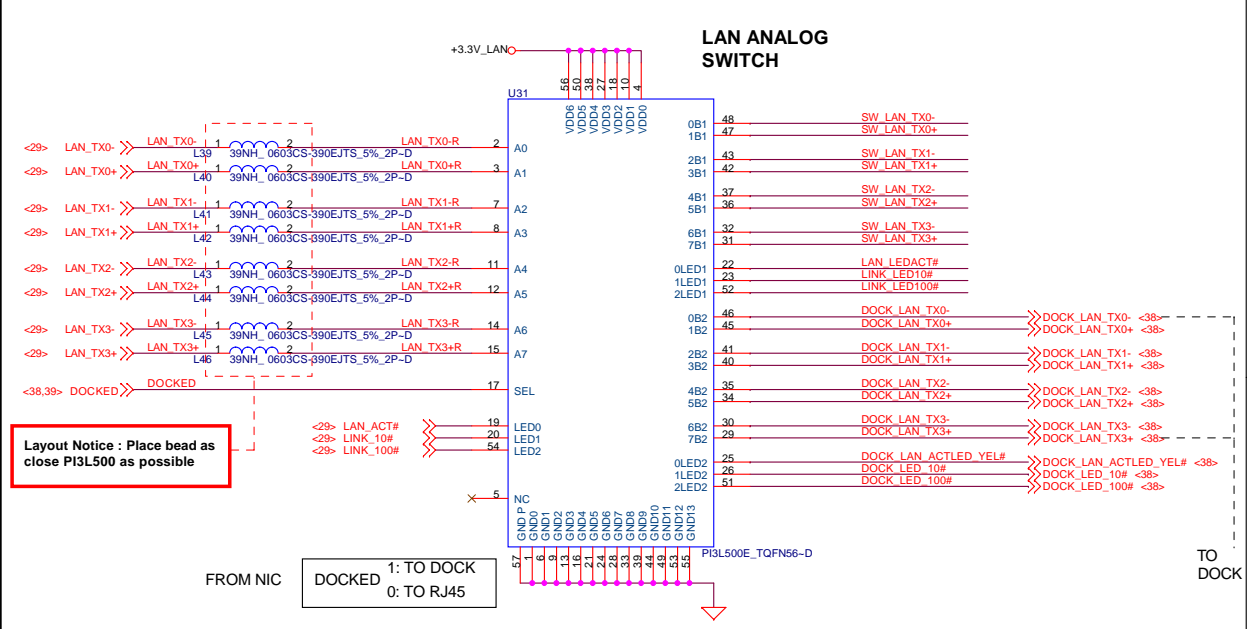
Compal Electronics, Inc.
AMP and PHONE JACK
 LA-3071P

Size	Document Number	Rev
Date: Friday, May 12, 2006	Sheet 28 of 59	1.0

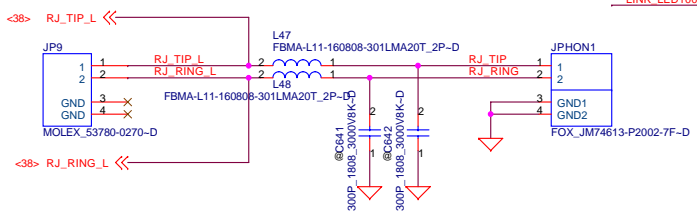
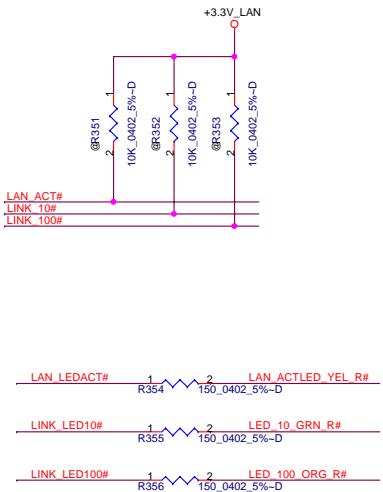
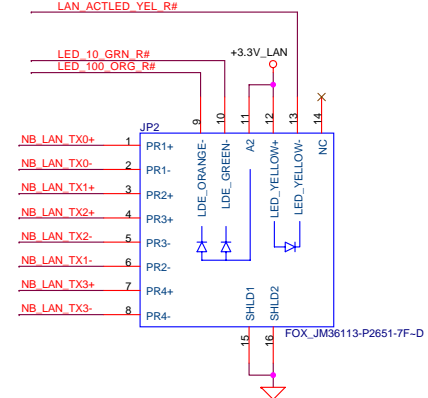
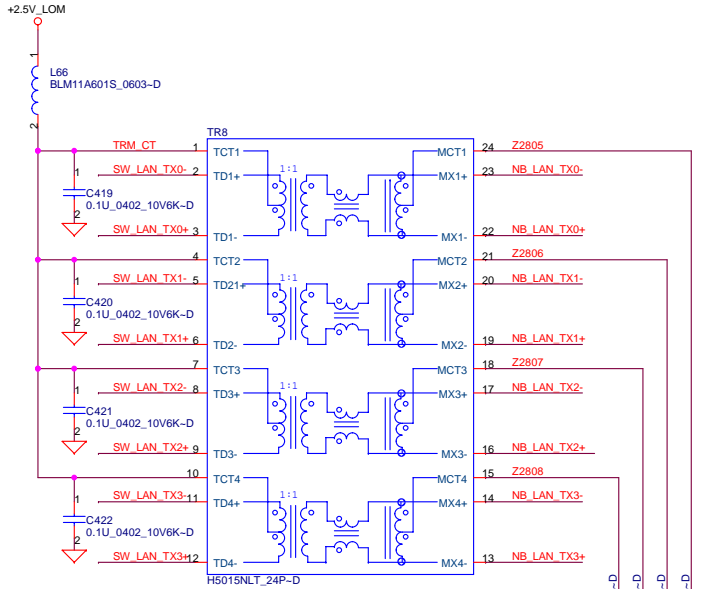


Layout Notice : Place termination as close as ASIC as possible

The resistors need at least 1/16W

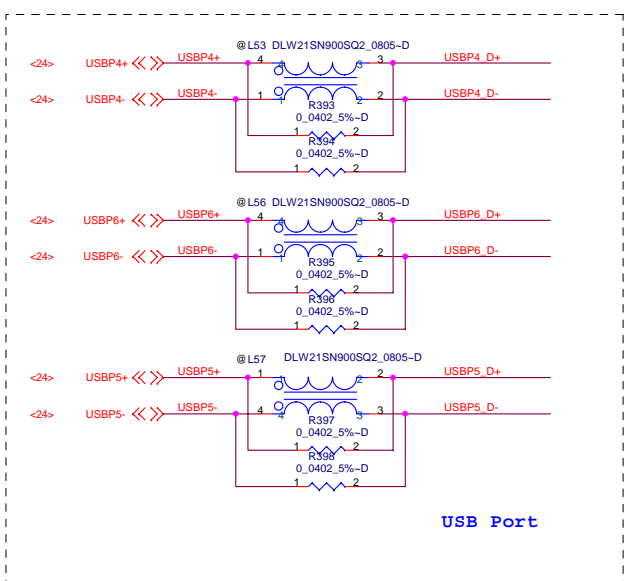


Layout Notice : Place bead as close PI3L500 as possible

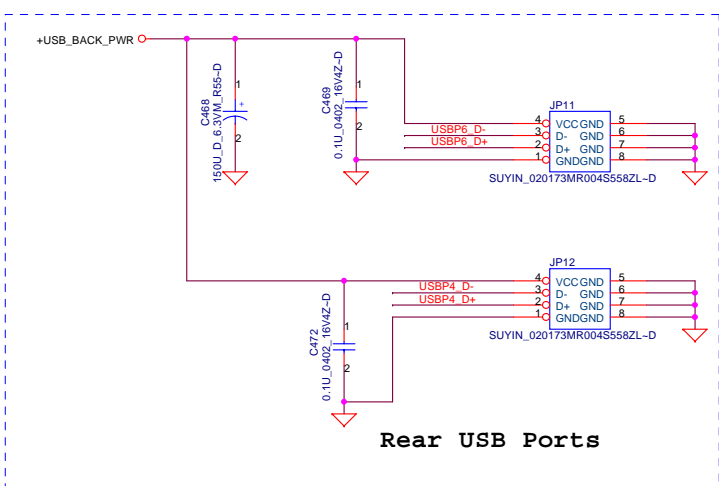


PROPRIETARY NOTE: THIS SHEET OF ENGINEERING DRAWING AND SPECIFICATIONS CONTAINS CONFIDENTIAL TRADE SECRET AND OTHER PROPRIETARY INFORMATION OF DELL INC. ("DELL") THIS DOCUMENT MAY NOT BE TRANSFERRED OR COPIED WITHOUT THE EXPRESS WRITTEN AUTHORIZATION OF DELL. IN ADDITION, NEITHER THIS SHEET NOR THE INFORMATION IT CONTAINS MAY BE USED BY OR DISCLOSED TO ANY THIRD PARTY WITHOUT DELL'S EXPRESS WRITTEN CONSENT.

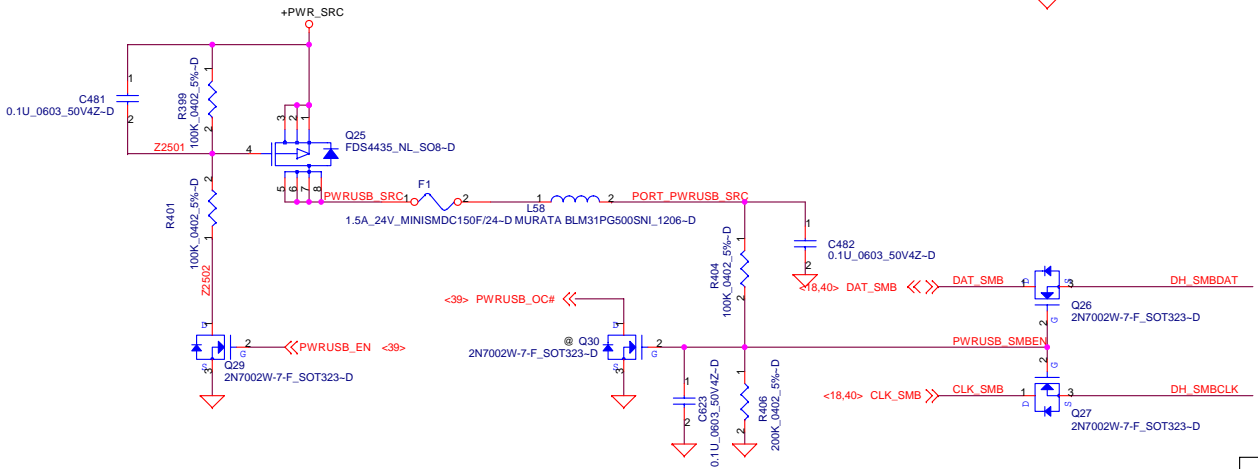
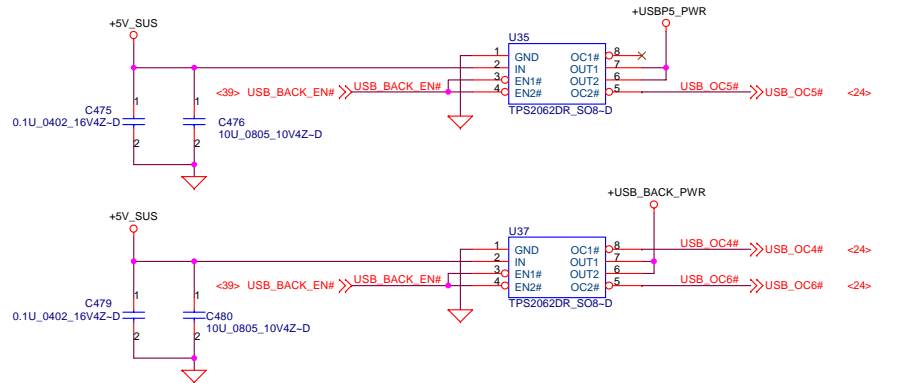
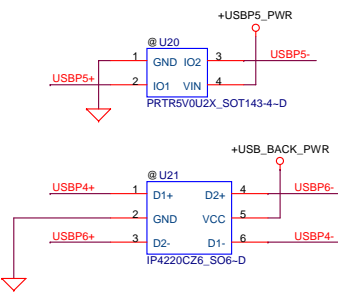
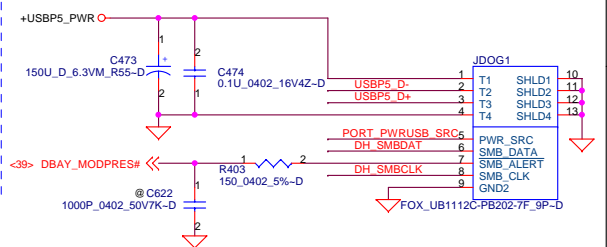
DELL CONFIDENTIAL/PROPRIETARY		
Title		
LAN TRANSFORMER		
Size	Document Number	Rev
	LA-3071P	1.0
Date:	Friday, May 12, 2006	Sheet 30 of 39



USB Port



Rear USB Ports



PROPRIETARY NOTE: THIS SHEET OF ENGINEERING DRAWING AND SPECIFICATIONS CONTAINS CONFIDENTIAL TRADE SECRET AND OTHER PROPRIETARY INFORMATION OF DELL INC. ("DELL"). THIS DOCUMENT MAY NOT BE TRANSMITTED OR COPIED WITHOUT THE EXPRESS WRITTEN AUTHORIZATION OF DELL. IN ADDITION, NEITHER THIS SHEET NOR THE INFORMATION IT CONTAINS MAY BE USED BY OR DISCLOSED TO ANY THIRD PARTY WITHOUT DELL'S EXPRESS WRITTEN CONSENT.

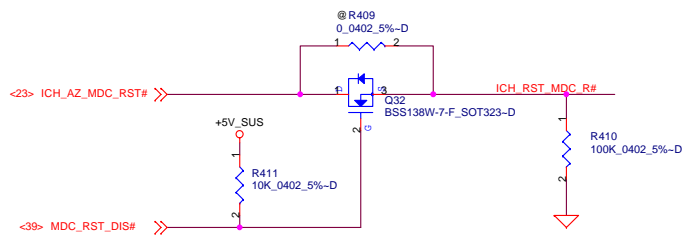
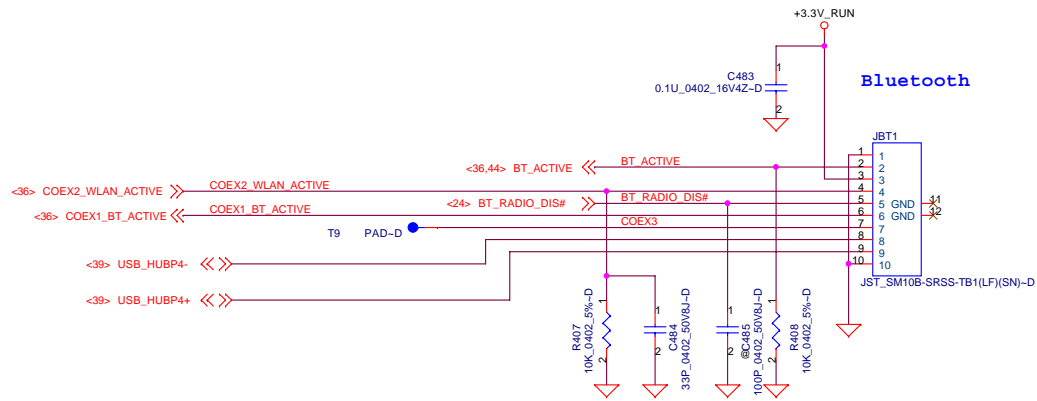


DELL CONFIDENTIAL/PROPRIETARY

Compal Electronics, Inc.

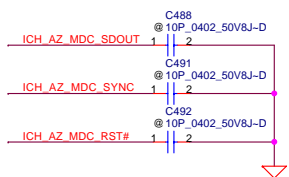
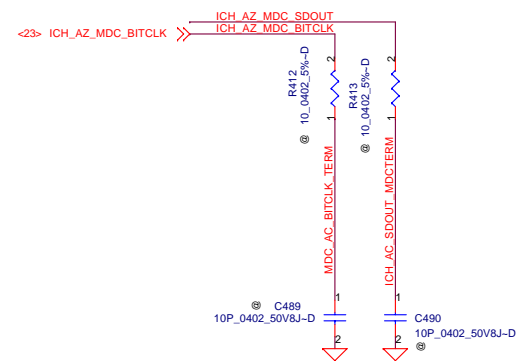
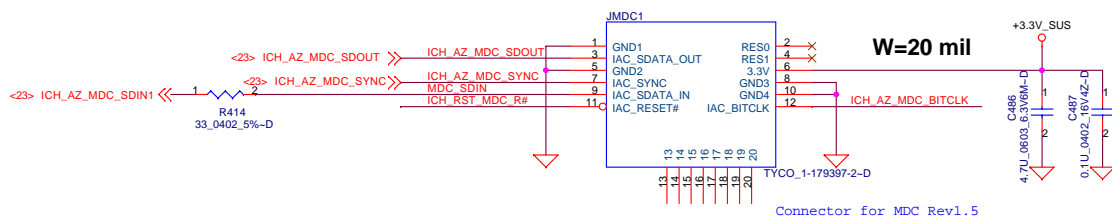
USB 2.0 Port

LA-3071P



New MDC connector.

1	GND	RES	2
3	IAC_SDATA0	RES	4
5	GND	3.3V	6
7	IAC_SYNC	GND	8
9	IAC_SDATAIN	GND	10
11	IAC_RESET#	IAC_BITCLK	12



PROPRIETARY NOTE: THIS SHEET OF ENGINEERING DRAWING AND SPECIFICATIONS CONTAINS CONFIDENTIAL TRADE SECRET AND OTHER PROPRIETARY INFORMATION OF DELL INC. ("DELL"). THIS DOCUMENT MAY NOT BE TRANSMITTED OR COPIED WITHOUT THE EXPRESS WRITTEN AUTHORIZATION OF DELL. IN ADDITION, NEITHER THIS SHEET NOR THE INFORMATION IT CONTAINS MAY BE USED BY OR DISCLOSED TO ANY THIRD PARTY WITHOUT DELL'S EXPRESS WRITTEN CONSENT.

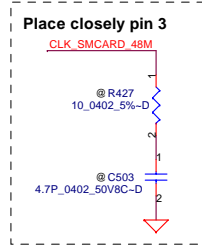
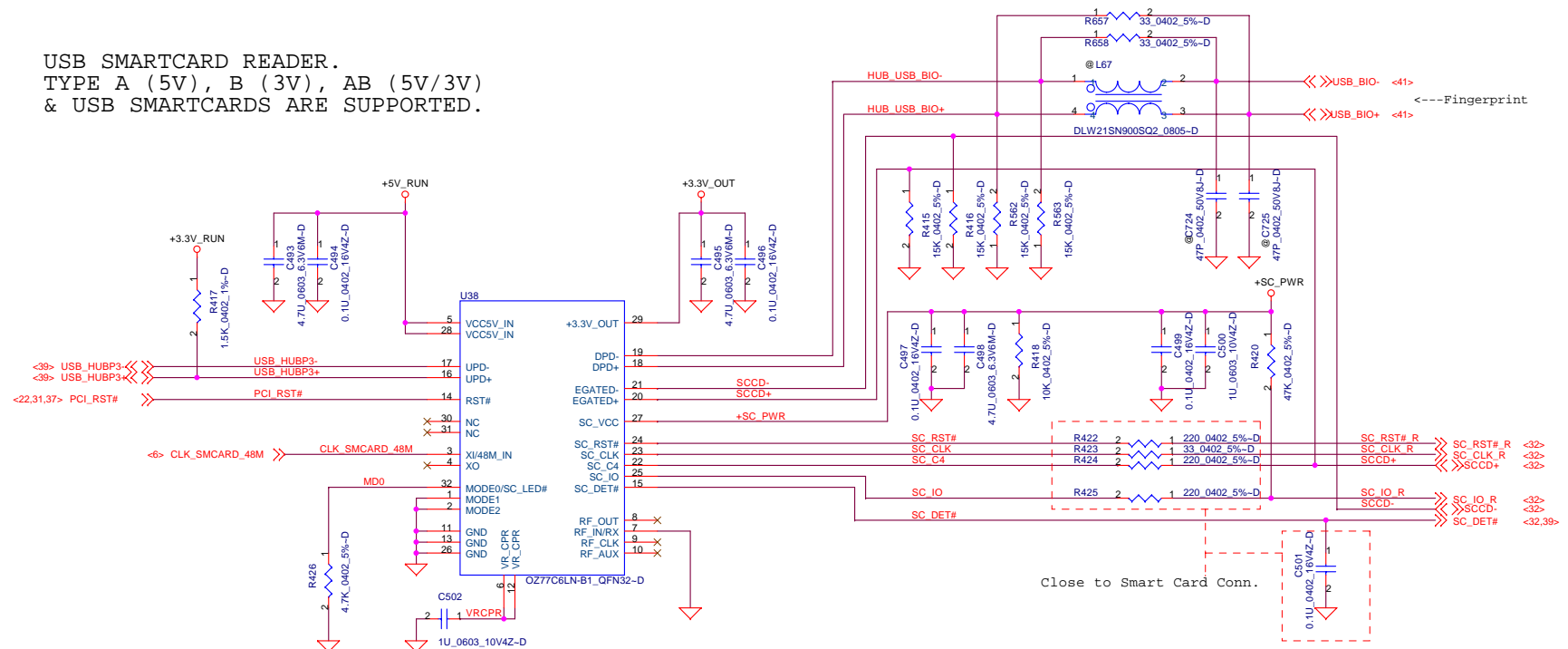


DELL CONFIDENTIAL/PROPRIETARY

Compal Electronics, Inc.

Title			BT PORT & MDC		
Size	Document Number	Rev			
	LA-3071P	1.0			
Date:	Friday, May 12, 2006	Sheet	34	of	59

USB SMARTCARD READER.
 TYPE A (5V), B (3V), AB (5V/3V)
 & USB SMARTCARDS ARE SUPPORTED.



PROPRIETARY NOTE: THIS SHEET OF ENGINEERING DRAWING AND SPECIFICATIONS CONTAINS CONFIDENTIAL TRADE SECRET AND OTHER PROPRIETARY INFORMATION OF DELL INC. ("DELL"). THIS DOCUMENT MAY NOT BE TRANSMITTED OR COPIED WITHOUT THE EXPRESS WRITTEN AUTHORIZATION OF DELL. IN ADDITION, NEITHER THIS SHEET NOR THE INFORMATION IT CONTAINS MAY BE USED BY OR DISCLOSED TO ANY THIRD PARTY WITHOUT DELL'S EXPRESS WRITTEN CONSENT.



DELL CONFIDENTIAL/PROPRIETARY

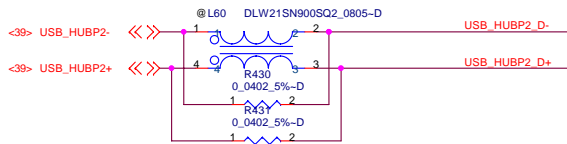
Compal Electronics, Inc.

Title Smart Card OZ77C6

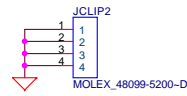
Size Document Number LA-3071P

Date: Friday, May 12, 2006 Sheet 35 of 59

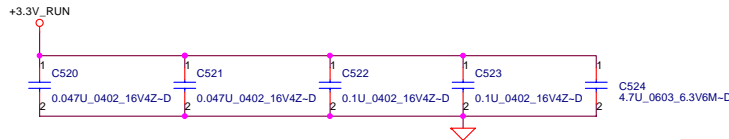
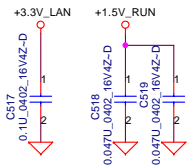
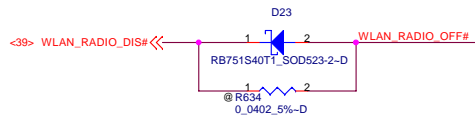
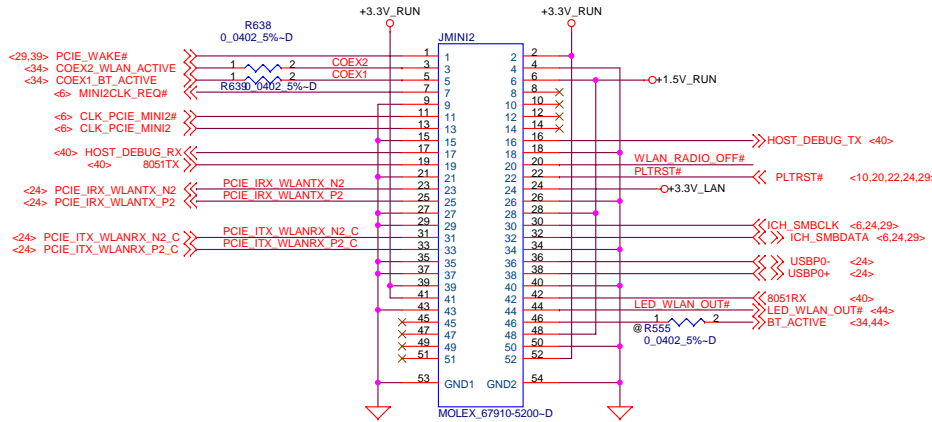
Rev 1.0



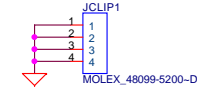
Mini Card Wire less LAN



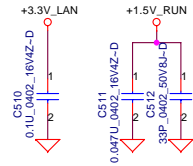
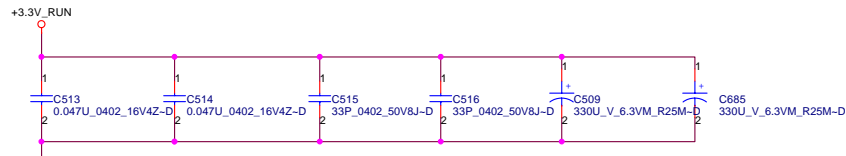
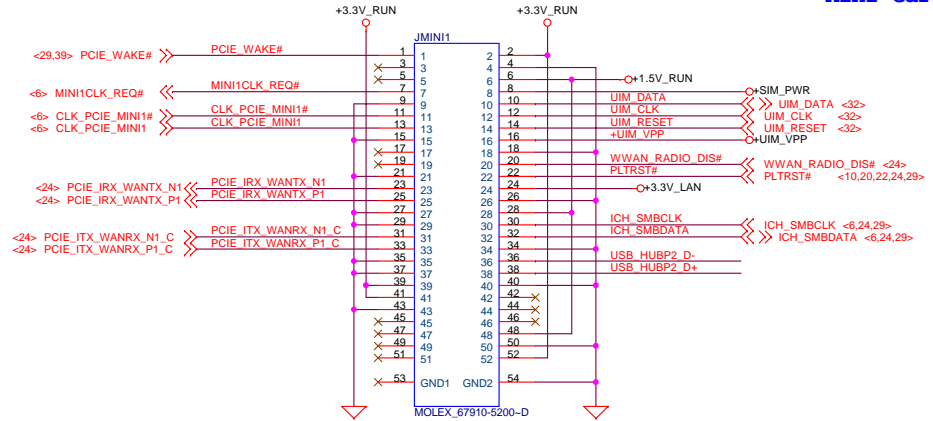
Mini-Card Latch



Mini Card Wire less WAN



Mini-Card Latch



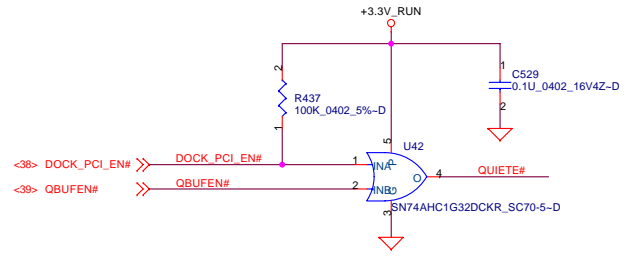
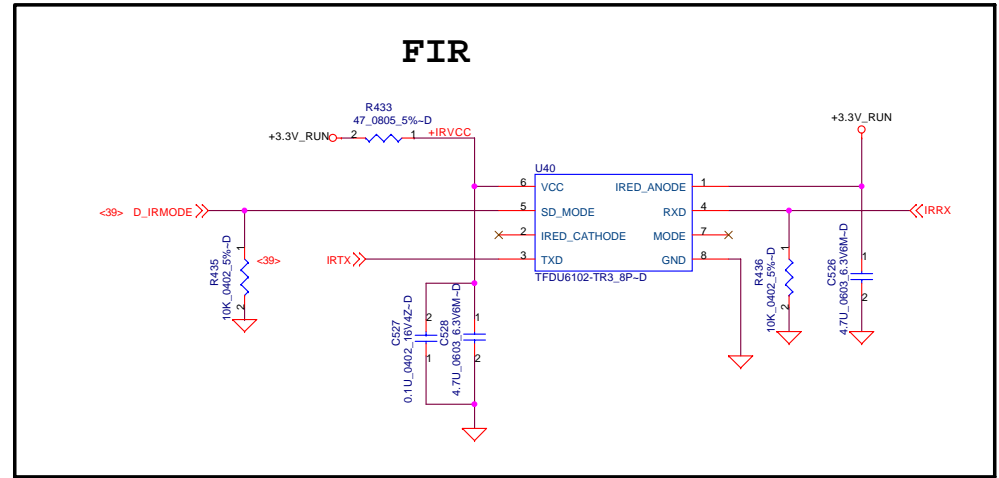
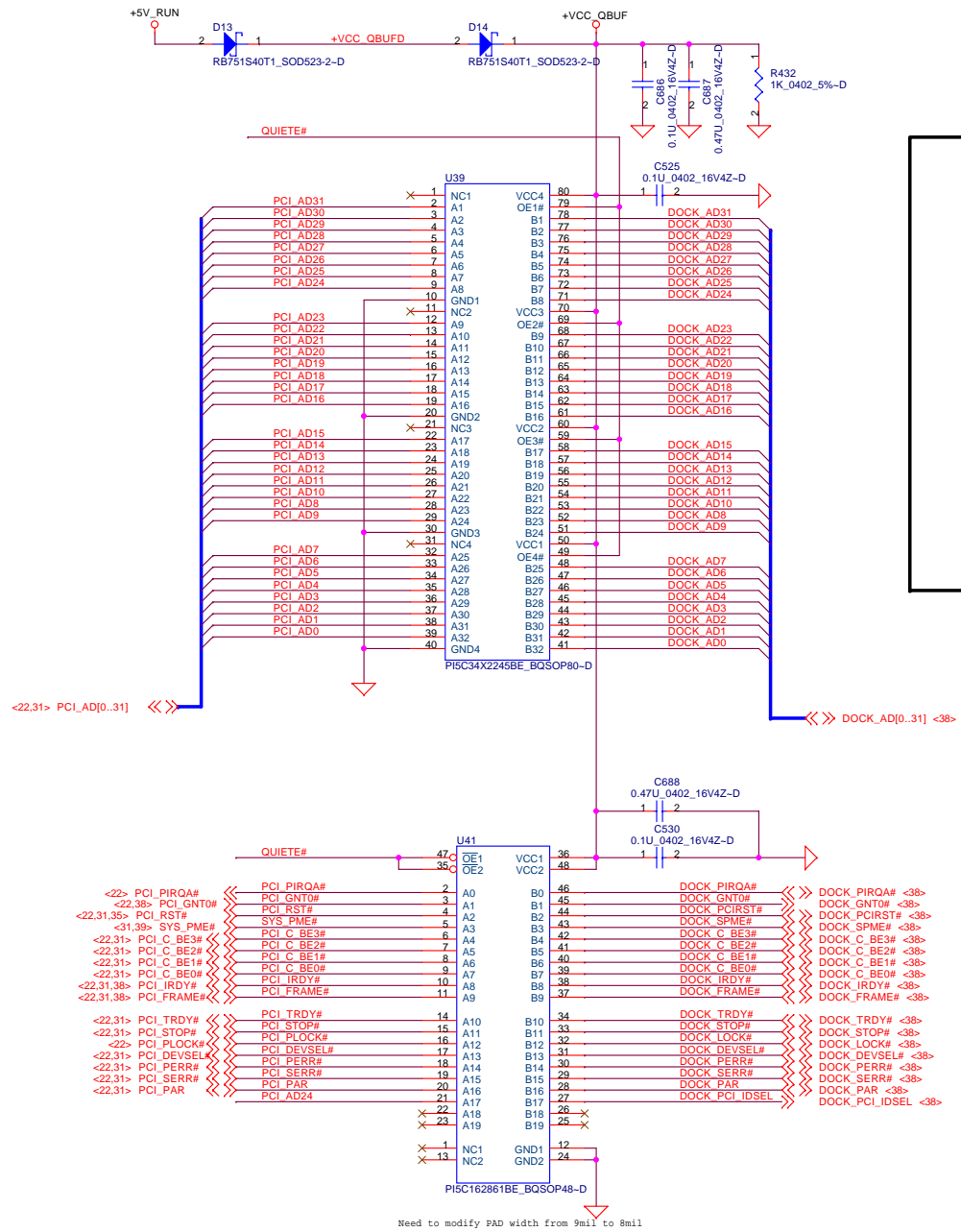
PWR Rail	Voltage Tolerance	Primary Power		Aux Power
		Peak	Normal	Normal
+3.3V	+ -9%	1000	750	
+3.3Vaux	+ -9%	330	250	250 (Wake enable) 5 (Not wake enable)
+1.5V	+ -5%	500	375	NA

PROPRIETARY NOTE: THIS SHEET OF ENGINEERING DRAWING AND SPECIFICATIONS CONTAINS CONFIDENTIAL TRADE SECRET AND OTHER PROPRIETARY INFORMATION OF DELL INC. ("DELL"). THIS DOCUMENT MAY NOT BE TRANSMITTED OR COPIED WITHOUT THE EXPRESS WRITTEN AUTHORIZATION OF DELL. IN ADDITION, NEITHER THIS SHEET NOR THE INFORMATION IT CONTAINS MAY BE USED BY OR DISCLOSED TO ANY THIRD PARTY WITHOUT DELL'S EXPRESS WRITTEN CONSENT.




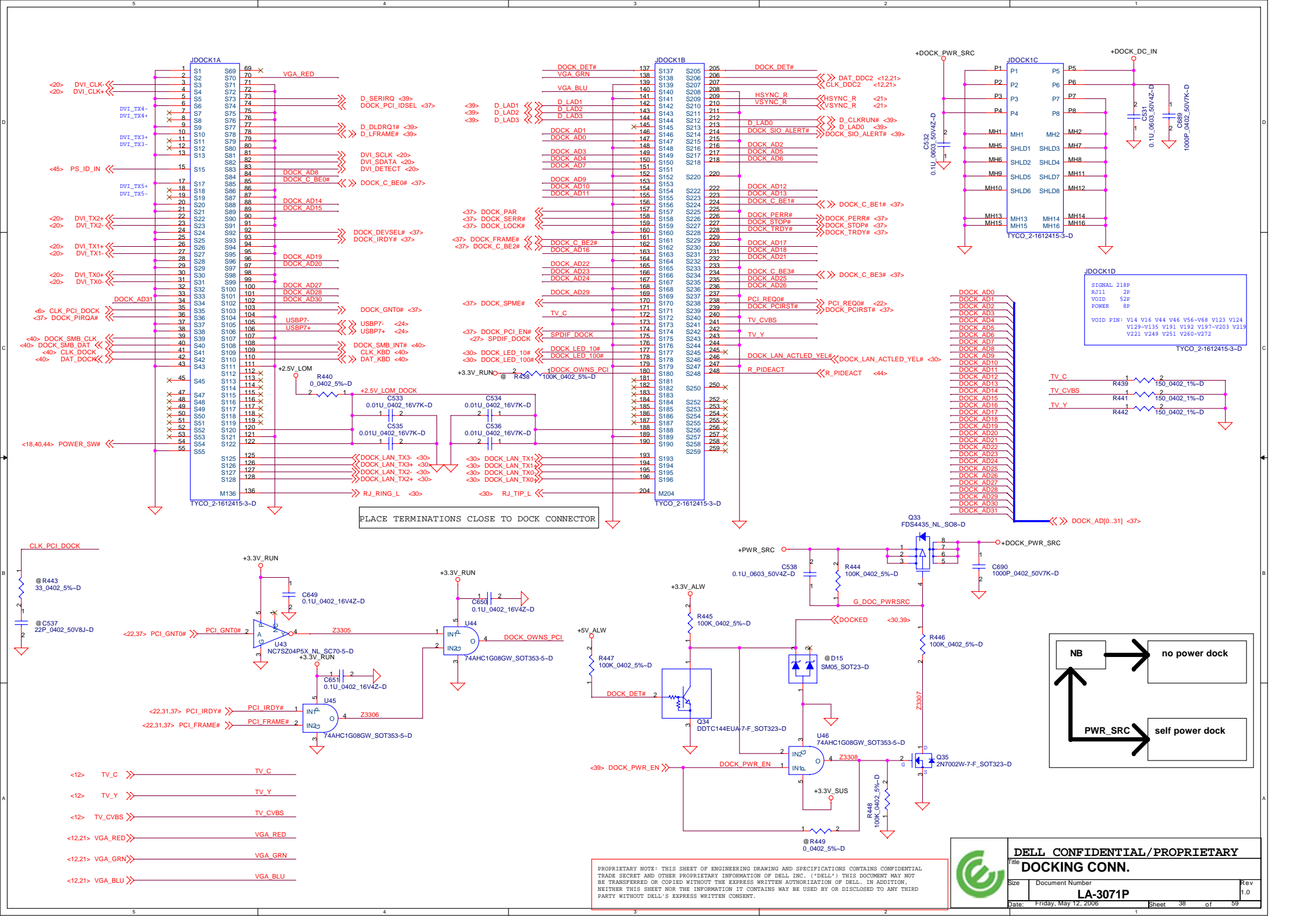
DELL CONFIDENTIAL/PROPRIETARY

Compal Electronics, Inc.			
Title Mini Card			
Size	Document Number	Rev	
	LA-3071P	1.0	
Date:	Friday, May 12, 2006	Sheet	36 of 39



PROPRIETARY NOTE: THIS SHEET OF ENGINEERING DRAWING AND SPECIFICATIONS CONTAINS CONFIDENTIAL TRADE SECRET AND OTHER PROPRIETARY INFORMATION OF DELL INC. ("DELL"). THIS DOCUMENT MAY NOT BE TRANSFERRED OR COPIED WITHOUT THE EXPRESS WRITTEN AUTHORIZATION OF DELL. IN ADDITION, NEITHER THIS SHEET NOR THE INFORMATION IT CONTAINS MAY BE USED BY OR DISCLOSED TO ANY THIRD PARTY WITHOUT DELL'S EXPRESS WRITTEN CONSENT.


DELL CONFIDENTIAL/PROPRIETARY
 Title
DOCKING BUFFER & FIR
 Size Document Number
LA-3071P
 Date: Friday, May 12, 2006 Sheet 37 of 59



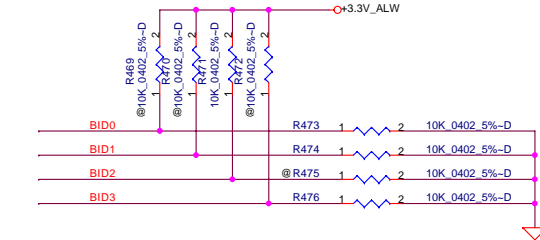
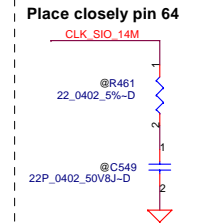
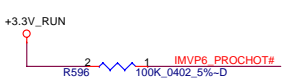
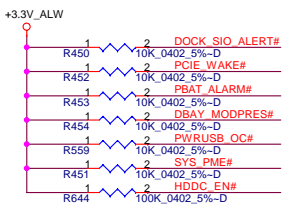
PROPRIETARY NOTE: THIS SHEET OF ENGINEERING DRAWING AND SPECIFICATIONS CONTAINS CONFIDENTIAL TRADE SECRET AND OTHER PROPRIETARY INFORMATION OF DELL INC. ("DELL") THIS DOCUMENT MAY NOT BE TRANSFERRED OR COPIED WITHOUT THE EXPRESS WRITTEN AUTHORIZATION OF DELL. IN ADDITION, NEITHER THIS SHEET NOR THE INFORMATION IT CONTAINS MAY BE USED BY OR DISCLOSED TO ANY THIRD PARTY WITHOUT DELL'S EXPRESS WRITTEN CONSENT.

DELL CONFIDENTIAL/PROPRIETARY

Title: **DOCKING CONN.**

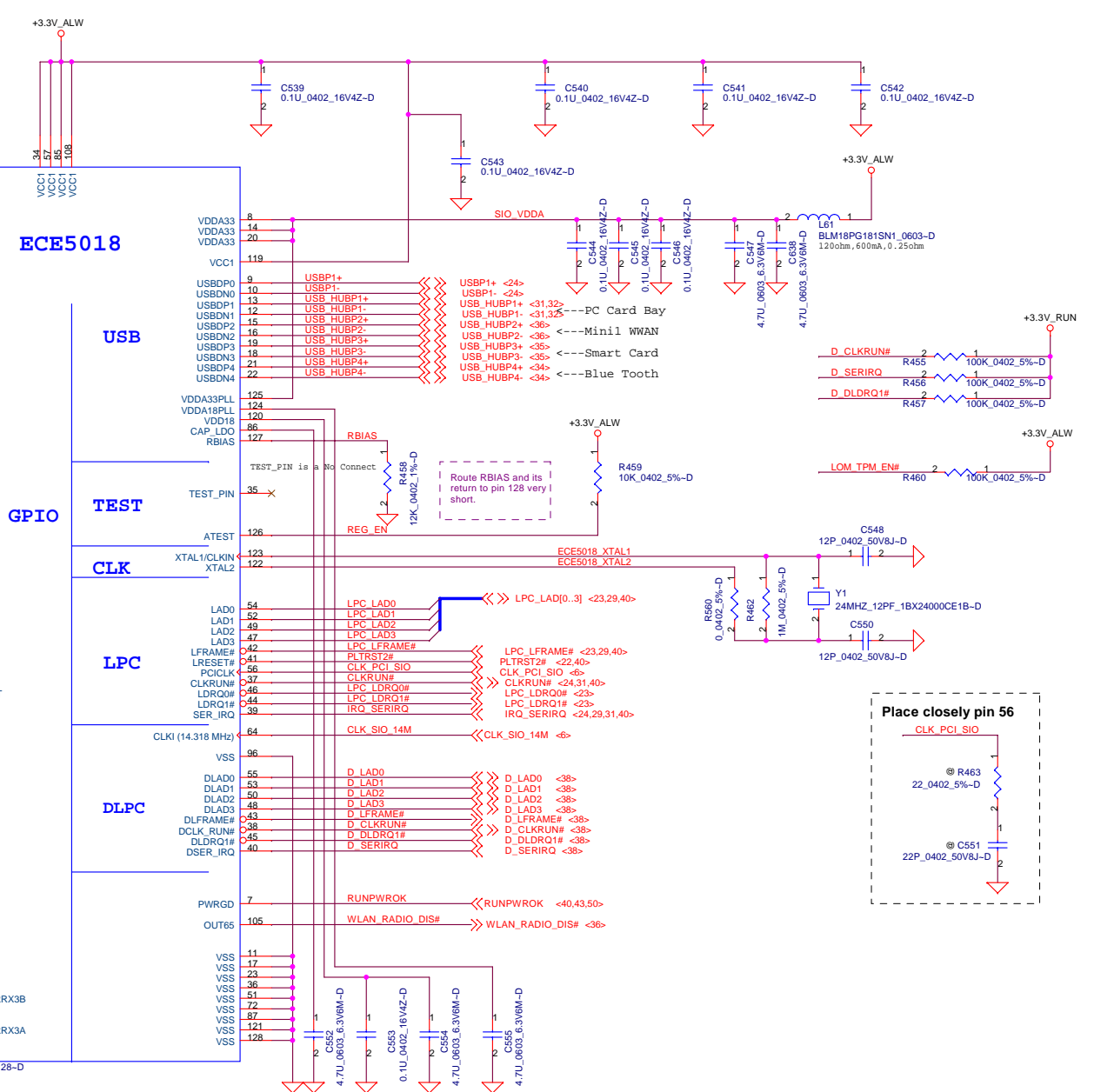
Size	Document Number	Rev
	LA-3071P	1.0

Date: Friday, May 12, 2006 Sheet 38 of 39



<29,36> PCIE_WAKE#	PCIE_WAKE#	97	GPIOA[0]
<31,37> SYS_PME#	SYS_PME#	98	GPIOA[1]
<38> DOCK_SIO_ALERT#	DOCK_SIO_ALERT#	99	GPIOA[2]
<46> PBAT_PRES#	PBAT_PRES#	100	GPIOA[3]
		101	GPIOA[4]
		102	GPIOA[5]
		103	GPIOA[6]
		104	GPIOA[7]
<30,38> DOCKED	DOCKED	24	GPIOH[0]
<37> OBUFEN#	OBUFEN#	25	GPIOH[1]
<38> DOCK_PWR_EN	DOCK_PWR_EN	26	GPIOH[4]
<44> SNIFFER_WIRELESS_ON/OFF#	SNIFFER_WIRELESS_ON/OFF#	27	GPIOH[5]
<40> BC_INT#	BC_INT#	58	GPIOH[2]
<40> BC_DAT#	BC_DAT#	59	GPIOH[3]
<40> BC_CLK#	BC_CLK#	60	GPIOH[6]
		61	GPIOE[0]/RXD
		62	GPIOE[1]/TXD
		63	GPIOE[2]/RTS#
		64	GPIOE[3]/DSR#
		65	GPIOE[4]/CTS#
		66	GPIOE[5]/DTR#
		67	GPIOE[6]/RX#
		68	GPIOE[7]/DCD#
<33> PWRUSB_OC#	PWRUSB_OC#	65	GPIOB[0]/NIT#
<33> PWRUSB_EN	PWRUSB_EN	66	GPIOB[1]/SCLTIN#
<34> MDC_RST_DIS#	MDC_RST_DIS#	67	GPIOC[2]/SCLT
<51> ADAPT_OC#	ADAPT_OC#	68	GPIOC[3]/PE
		69	GPIOC[4]/BUSY
		70	GPIOC[5]/ACK#
		71	GPIOC[6]/ERROR#
<28> NB_MUTE#	NB_MUTE#	73	GPIOC[7]/ALF#
<27> LOM_CABLE_DETECT	LOM_CABLE_DETECT	75	GPIOD[0]/STROBE#
<27> SPDIF_SDMN	SPDIF_SDMN	76	GPIOC[1]/D7
<50> IMVP6_PROCHOT#	IMVP6_PROCHOT#	77	GPIOC[0]/PD6
<32> CBS_CCD2#	CBS_CCD2#	78	GPIOB[7]/PD5
<32> EXUSB_EN#	EXUSB_EN#	79	GPIOB[6]/PD4
<27> DOCK_HP_MUTE#	DOCK_HP_MUTE#	81	GPIOB[5]/PD3
<27,28> HP_NB_SENSE	HP_NB_SENSE	82	GPIOB[4]/PD2
		83	GPIOB[3]/PD1
		84	GPIOB[2]/PD0
<46> PBAT_ALARM#	PBAT_ALARM#	61	GPIOD[1]
		62	GPIOD[2]
<29> LOM_TPM_EN#	LOM_TPM_EN#	63	GPIOD[3]/VBUS_DET
<29> LOM_LOW_PWR	LOM_LOW_PWR	28	GPIOD[0]/CS1_N
<27> AUDIO_AVDD_ON	AUDIO_AVDD_ON	29	GPIOD[5]/OCS2_N
<27> BEEP	BEEP	30	GPIOD[6]/OCS3_N
<51> ADAPT_TRIP_SEL	ADAPT_TRIP_SEL	31	GPIOD[7]/OCS4_N
		32	GPIOH[6]
<32,35> SC_DET#	SC_DET#	33	GPIOH[7]
<24> ICH_PCIE_WAKE#	ICH_PCIE_WAKE#	88	GPIOG[0]
<22> ICH_PME#	ICH_PME#	89	GPIOG[1]
<18> THERMTRIP_SIO	THERMTRIP_SIO	90	GPIOG[2]
<31> CBUS_GRS1#	CBUS_GRS1#	91	GPIOG[3]
<19> FPBACK_EN	FPBACK_EN	92	GPIOG[4]
<31> CB_HWSPND#	CB_HWSPND#	93	GPIOG[5]
<7> CPU_PROCHOT#	CPU_PROCHOT#	95	GPIOG[6]
		96	GPIOG[7]
<26> HDDC_EN#	HDDC_EN#	106	SYSOPT1/GPIOH[2]
		107	SYSOPT0/GPIOH[3]
		109	GPIOF[7]
		110	GPIOF[6]
		111	BID1
		112	BID0
<37> IRTX	IRTX	113	IRTX
<37> IRRX	IRRX	114	IRRX
<37> D_IRMODE#	D_IRMODE#	115	GPIOF[3]/IRMODE/IRRX3B
<33> USB_BACK_EN#	USB_BACK_EN#	116	GPIOF[2]/IRTX2
<33> DBAY_MODPRES#	DBAY_MODPRES#	117	GPIOF[1]/IRRX2
		118	GPIOF[0]/IRMODE/IRRX3A

BID3	BID2	BID1	BID0	REV
0	0	0	0	X00
0	0	0	1	X01
0	0	1	0	X02
0	0	1	1	X03
* 0	1	0	0	A00



PROPRIETARY NOTE: THIS SHEET OF ENGINEERING DRAWING AND SPECIFICATIONS CONTAINS CONFIDENTIAL TRADE SECRET AND OTHER PROPRIETARY INFORMATION OF DELL INC. ("DELL"). THIS DOCUMENT MAY NOT BE TRANSMITTED OR COPIED WITHOUT THE EXPRESS WRITTEN AUTHORIZATION OF DELL. IN ADDITION, NEITHER THIS SHEET NOR THE INFORMATION IT CONTAINS MAY BE USED BY OR DISCLOSED TO ANY THIRD PARTY WITHOUT DELL'S EXPRESS WRITTEN CONSENT.



DELL CONFIDENTIAL/PROPRIETARY

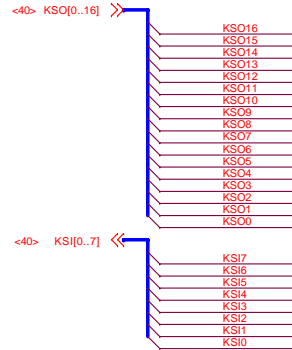
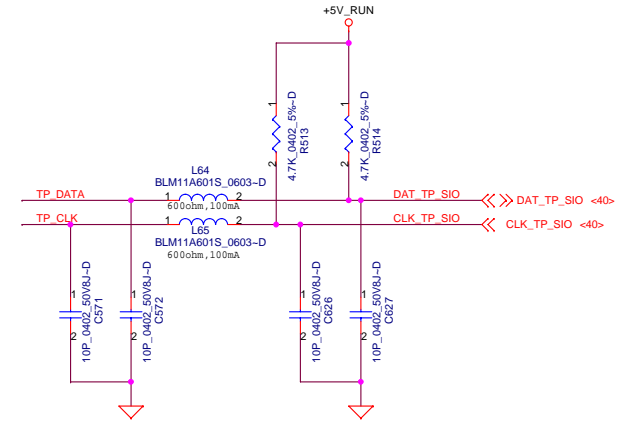
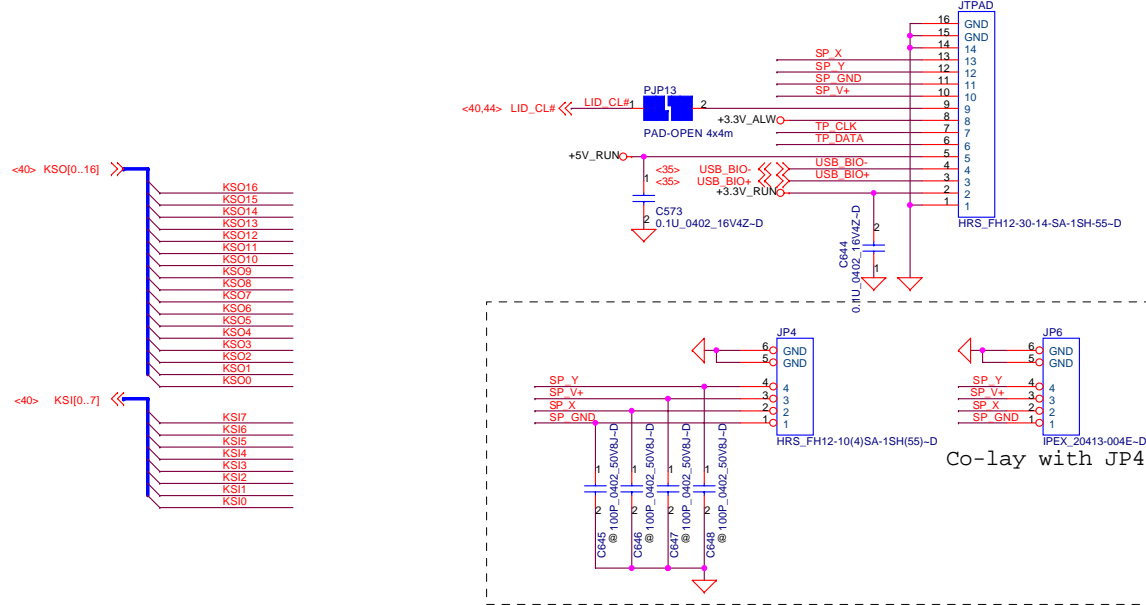
Compal Electronics, Inc.

Title: ECE5018

Size: Document Number: LA-3071P

Date: Friday, May 12, 2006 Sheet 39 of 59

Touch PAD



Part Number	Description
PK230005C0L	SPK PACK 00B 1W 80HM

Part Number	Description
DC000002T0L	PCMCIA FOXCONN 1CA86501-CR-4F

Part Number	Description
DC02000980L	H-CONN SET 00B M/B-B/T

Part Number	Description
DC02000960L	H-CONN SET 00B M/B-MDC

Part Number	Description
DA30000101L	FPC 00B LP-3072P REV1 T/P FPC WITH BIO

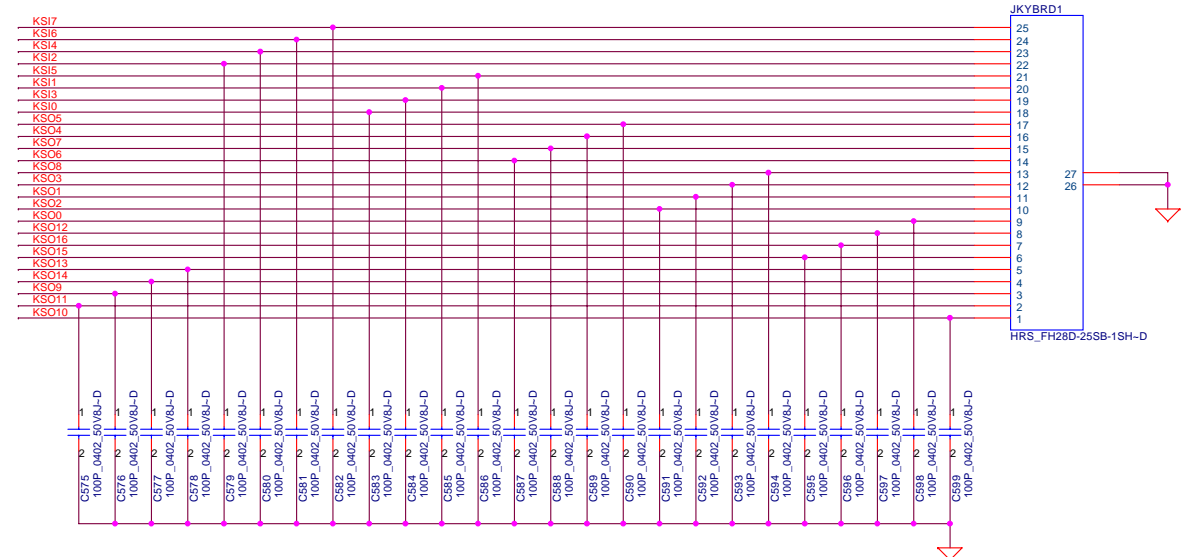
Part Number	Description
DC020008Q0L	H-CONN SET 00B MB-LCD 12 WXGA

Part Number	Description
DA300001N1L	FPC 00B LP-3071P REV1 HITACHI

Part Number	Description
QC020008R00	BATT CR2025 W/CABLE 170MAH MB 00B 0PFD

Part Number	Description
PK090003M0L	TRACK PAD ALPS KGDEN101A BIOSSENSOR

Part Number	Description
DA300001S1L	FPC 00B LP-3073P REV1 LED FPC



PROPRIETARY NOTE: THIS SHEET OF ENGINEERING DRAWING AND SPECIFICATIONS CONTAINS CONFIDENTIAL TRADE SECRET AND OTHER PROPRIETARY INFORMATION OF DELL INC. ("DELL"). THIS DOCUMENT MAY NOT BE TRANSMITTED OR COPIED WITHOUT THE EXPRESS WRITTEN AUTHORIZATION OF DELL. IN ADDITION, NEITHER THIS SHEET NOR THE INFORMATION IT CONTAINS MAY BE USED BY OR DISCLOSED TO ANY THIRD PARTY WITHOUT DELL'S EXPRESS WRITTEN CONSENT.



DELL CONFIDENTIAL/PROPRIETARY

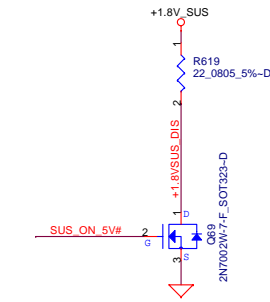
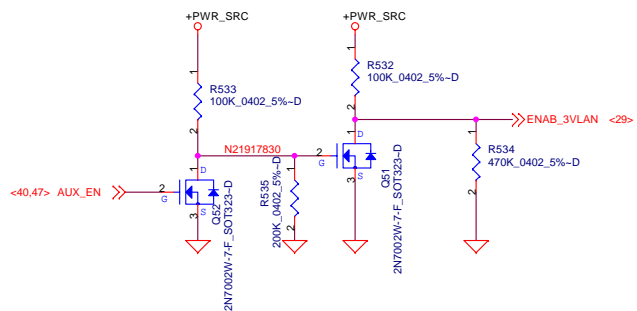
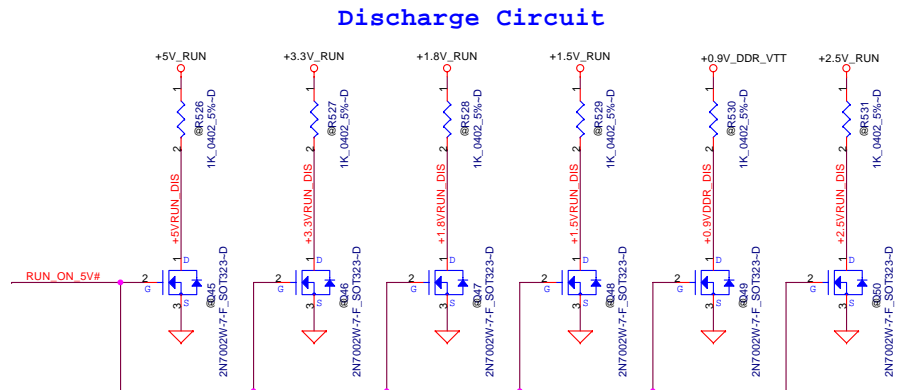
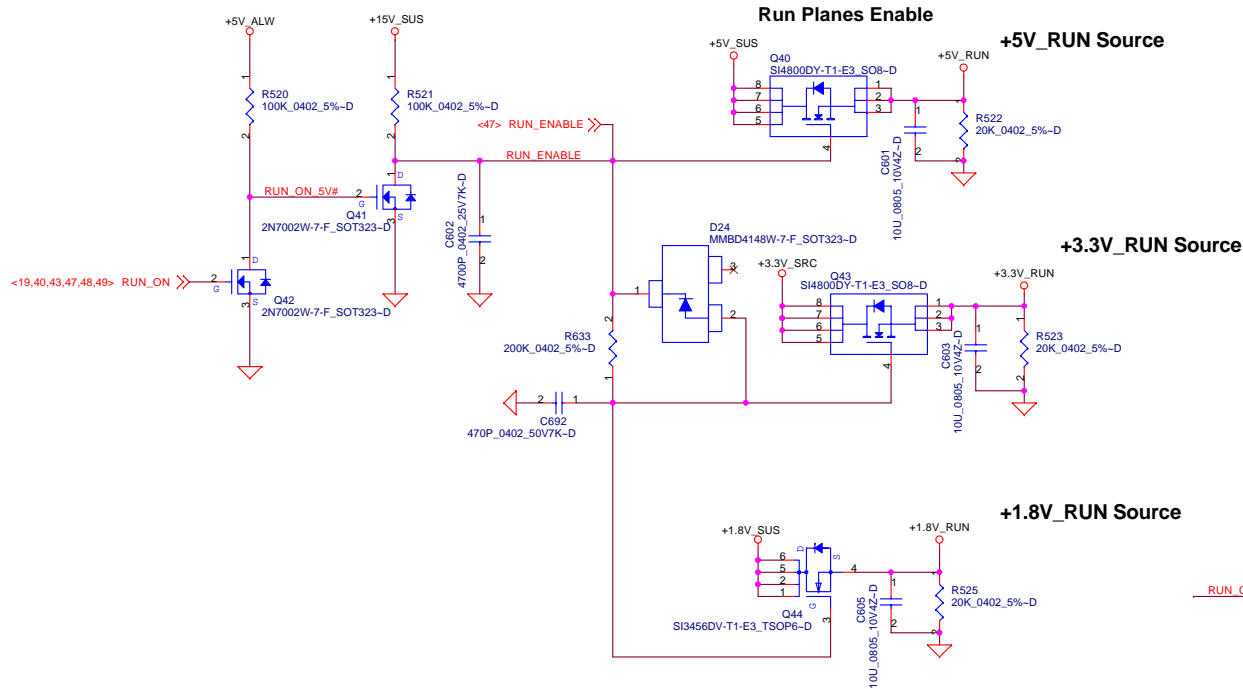
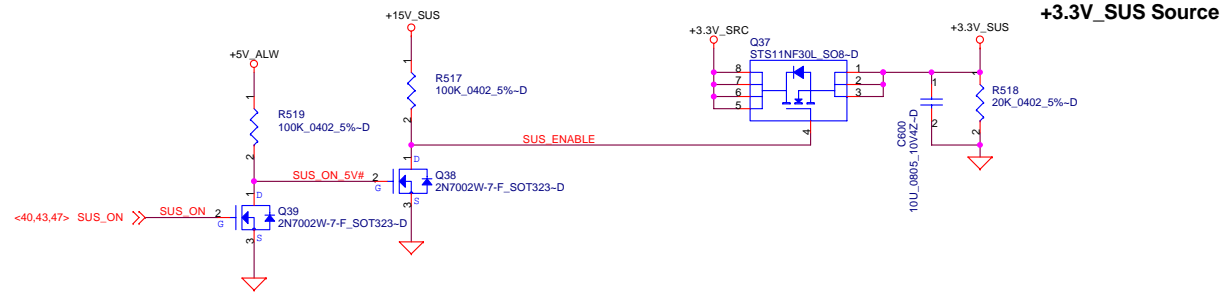
Compal Electronics, Inc.

INT KB & FT & LID & TOUCH PAD

LA-3071P

Friday, May 12, 2006 Sheet 41 of 59

DC/DC Interface

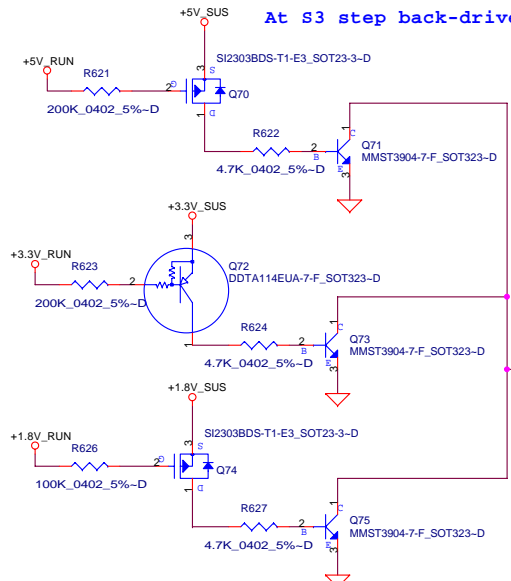


PROPRIETARY NOTE: THIS SHEET OF ENGINEERING DRAWING AND SPECIFICATIONS CONTAINS CONFIDENTIAL TRADE SECRET AND OTHER PROPRIETARY INFORMATION OF DELL INC. ("DELL"). THIS DOCUMENT MAY NOT BE TRANSMITTED OR COPIED WITHOUT THE EXPRESS WRITTEN AUTHORIZATION OF DELL. IN ADDITION, NEITHER THIS SHEET NOR THE INFORMATION IT CONTAINS MAY BE USED BY OR DISCLOSED TO ANY THIRD PARTY WITHOUT DELL'S EXPRESS WRITTEN CONSENT.

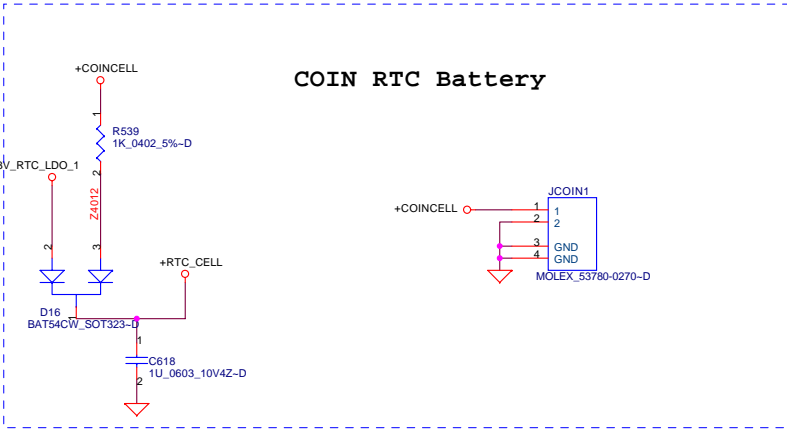
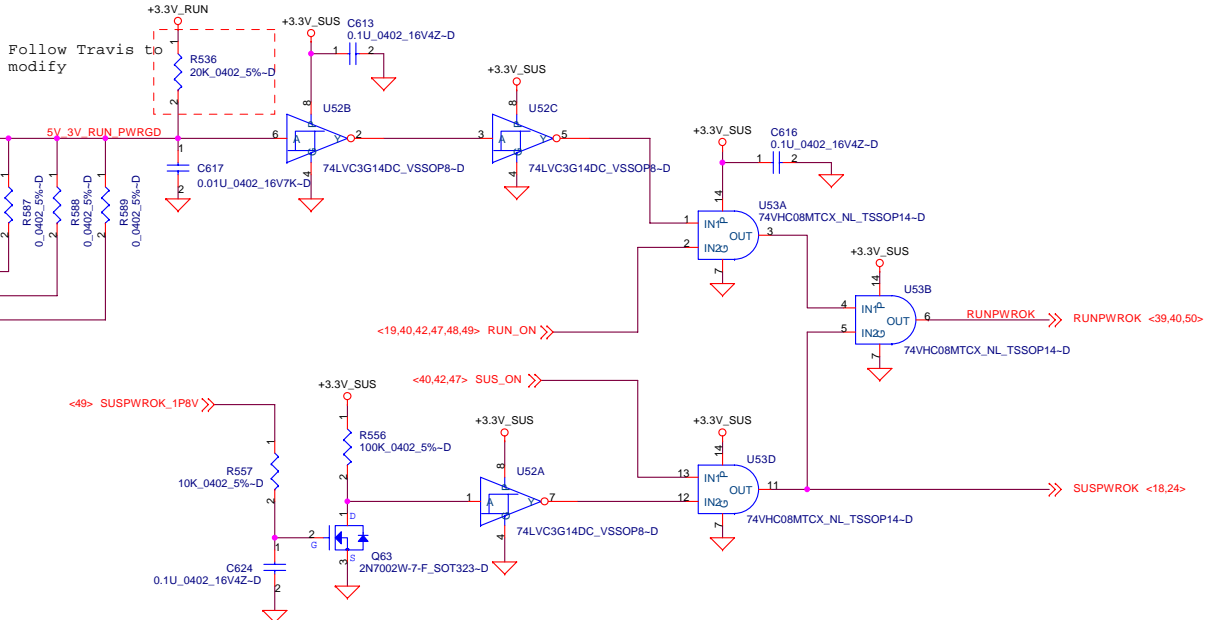
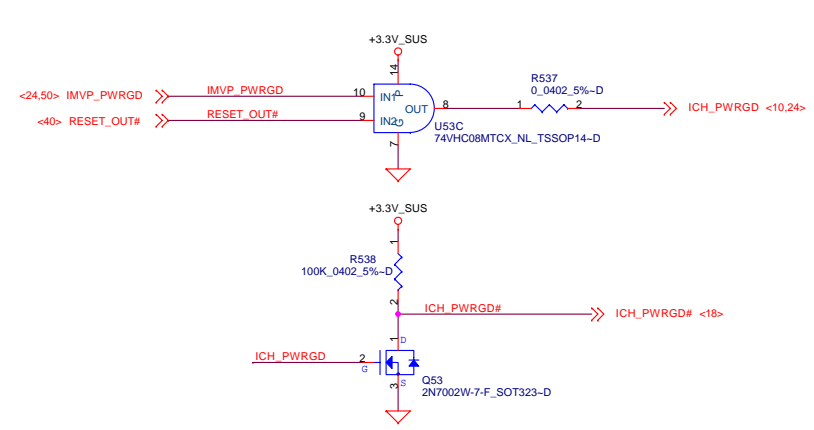


DELL CONFIDENTIAL/PROPRIETARY		
Compal Electronics, Inc.		
POWER CONTROL		
Title	Document Number	Rev
	LA-3071P	1.0
Date:	Friday, May 12, 2006	Sheet 42 of 59

At S3 step back-drive: 78mV, change to SI2303



At S3 step back-drive: 198mV, change to SI2303



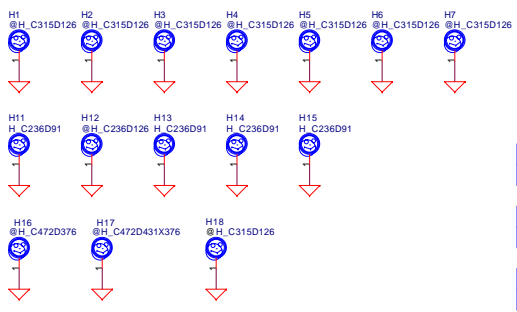
PROPRIETARY NOTE: THIS SHEET OF ENGINEERING DRAWING AND SPECIFICATIONS CONTAINS CONFIDENTIAL TRADE SECRET AND OTHER PROPRIETARY INFORMATION OF DELL INC. ('DELL'). THIS DOCUMENT MAY NOT BE TRANSMITTED OR COPIED WITHOUT THE EXPRESS WRITTEN AUTHORIZATION OF DELL. IN ADDITION, NEITHER THIS SHEET NOR THE INFORMATION IT CONTAINS MAY BE USED BY OR DISCLOSED TO ANY THIRD PARTY WITHOUT DELL'S EXPRESS WRITTEN CONSENT.



DELL CONFIDENTIAL/PROPRIETARY

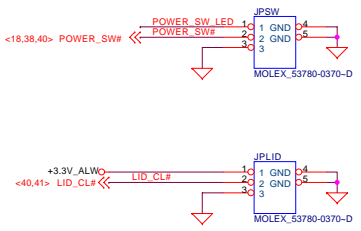
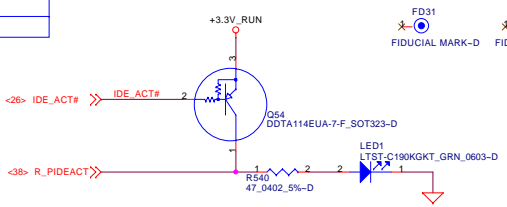
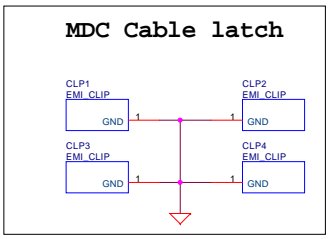
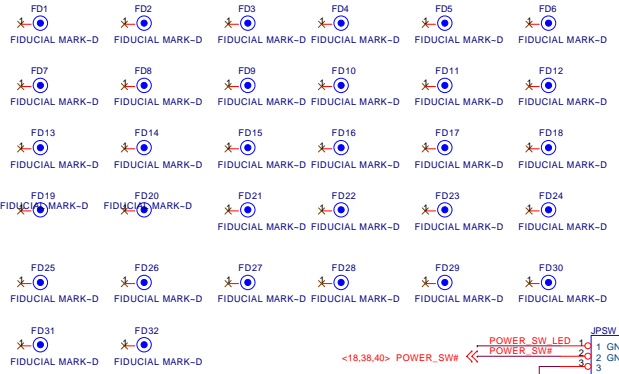
Compal Electronics, Inc.

Title			Power Good		
Size	Document Number	Rev			
	LA-3071P	1.0			
Date:	Friday, May 12, 2006	Sheet	43	of	59

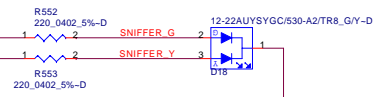
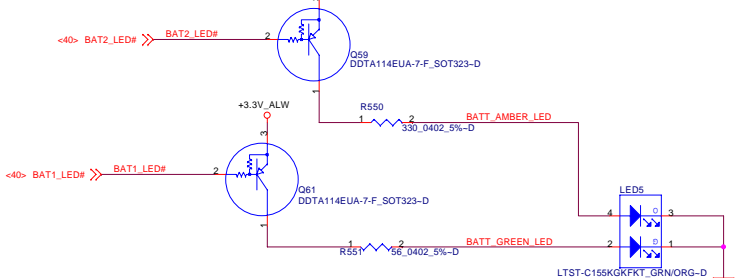
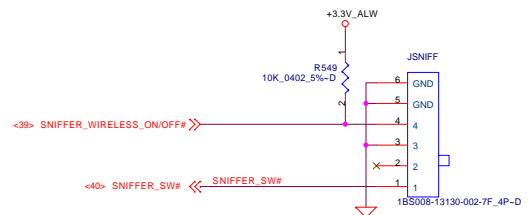
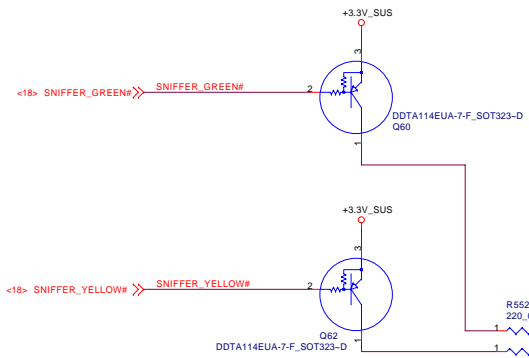
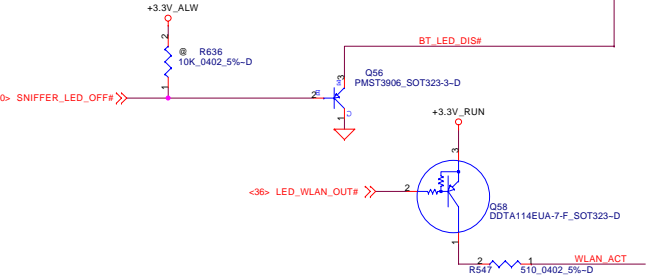
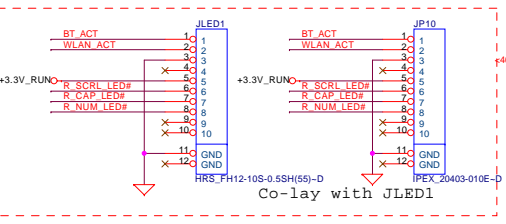
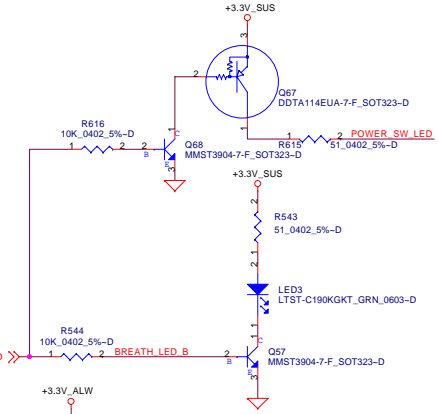
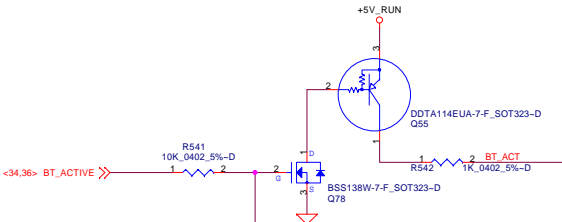
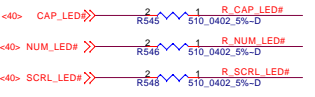


MYLAR1	Description	MYLAR5	Description
EL00800040L	HAU30_DOCKING_HOLE_MYLAR	EL00800080D	HAU30_MYLAR_WLAN_WWAN
MYLAR2	Description	MYLAR6	Description
EL00800050L	HAU30_DOCKING_LOCK_L_MYLAR	EL008000X0D	HAU30_MYLAR_RDD
MYLAR3	Description	MYLAR7	Description
EL00800060L	HAU30_DOCKING_LOCK_R_MYLAR	EL008000A0L	HAU30_MYLAR_FAN
MYLAR4	Description		
EL00800070L	HAU30_MYLAR_DDR2		

Fiducial Mark



RUBBER1	Description
PH00800060L	HAU30_MIC_RUBBER
RUBBER2	Description
EL00800000D	HAU30_RUBBER_MDC
SCREW1	Description
MAA001570D	SCREW M M 2.0D 3.0L X 4.6D ZK NL + CR3+



PROPRIETARY NOTE: THIS SHEET OF ENGINEERING DRAWING AND SPECIFICATIONS CONTAINS CONFIDENTIAL TRADE SECRET AND OTHER PROPRIETARY INFORMATION OF DELL INC. ("DELL") THIS DOCUMENT MAY NOT BE TRANSFERRED OR COPIED WITHOUT THE EXPRESS WRITTEN AUTHORIZATION OF DELL. IN ADDITION, NEITHER THIS SHEET NOR THE INFORMATION IT CONTAINS MAY BE USED BY OR DISCLOSED TO ANY THIRD PARTY WITHOUT DELL'S EXPRESS WRITTEN CONSENT.

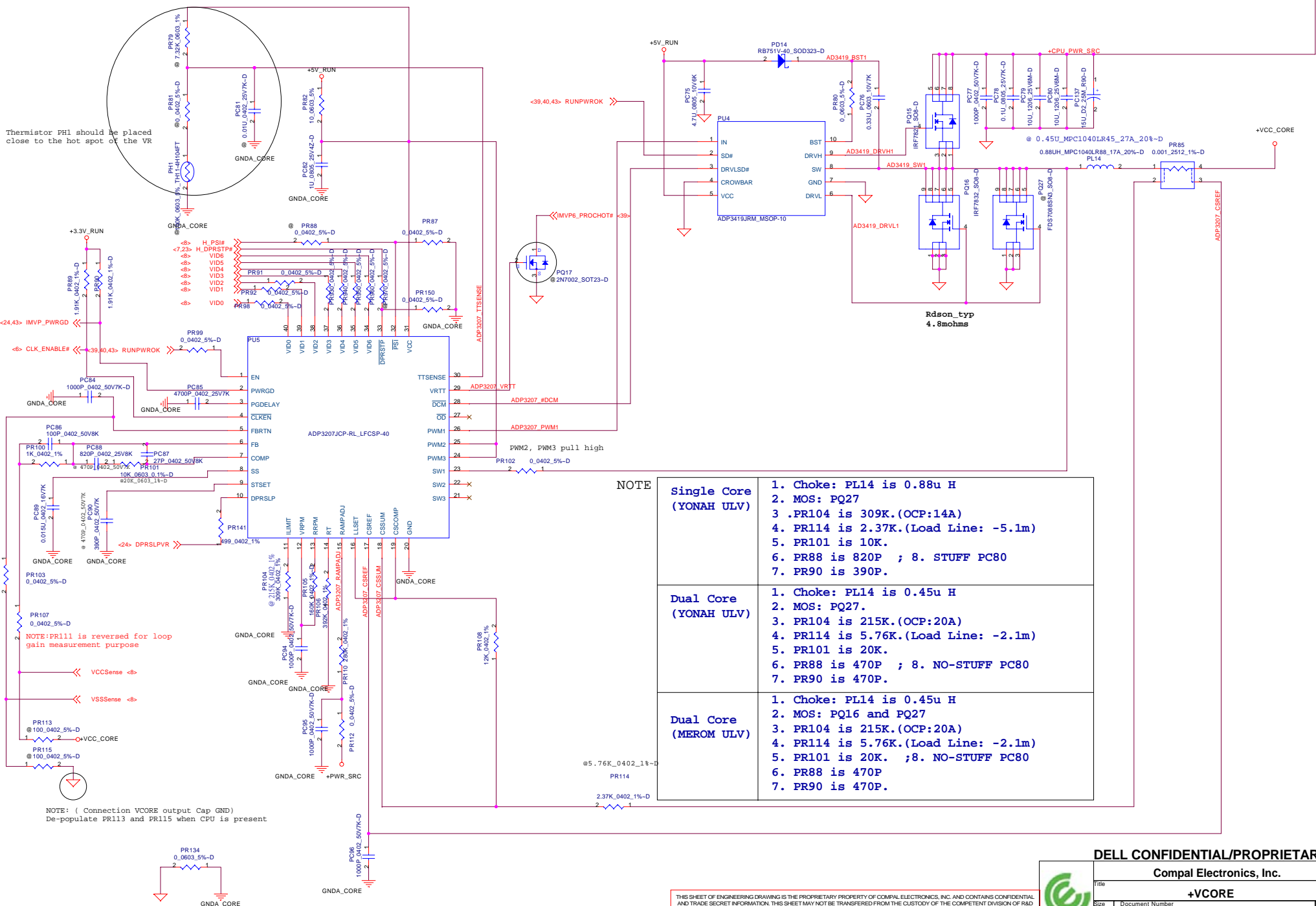
DELL CONFIDENTIAL/PROPRIETARY

Compal Electronics, Inc.

File: **PAD and Standoff**

Size: Document Number: **LA-3071P**

Date: Friday, May 12, 2006 Sheet 44 of 59



NOTE

Single Core (YONAH ULV)	<ol style="list-style-type: none"> 1. Choke: PL14 is 0.88u H 2. MOS: PQ27 3. PR104 is 309K.(OCP:14A) 4. PR114 is 2.37K.(Load Line: -5.1m) 5. PR101 is 10K. 6. PR88 is 820P ; 8. STUFF PC80 7. PR90 is 390P.
Dual Core (YONAH ULV)	<ol style="list-style-type: none"> 1. Choke: PL14 is 0.45u H 2. MOS: PQ27. 3. PR104 is 215K.(OCP:20A) 4. PR114 is 5.76K.(Load Line: -2.1m) 5. PR101 is 20K. 6. PR88 is 470P ; 8. NO-STUFF PC80 7. PR90 is 470P.
Dual Core (MEROM ULV)	<ol style="list-style-type: none"> 1. Choke: PL14 is 0.45u H 2. MOS: PQ16 and PQ27 3. PR104 is 215K.(OCP:20A) 4. PR114 is 5.76K.(Load Line: -2.1m) 5. PR101 is 20K. ; 8. NO-STUFF PC80 6. PR88 is 470P 7. PR90 is 470P.

THIS SHEET OF ENGINEERING DRAWING IS THE PROPRIETARY PROPERTY OF COMPAL ELECTRONICS, INC. AND CONTAINS CONFIDENTIAL AND TRADE SECRET INFORMATION. THIS SHEET MAY NOT BE TRANSFERRED FROM THE CUSTODY OF THE COMPETENT DIVISION OF R&D DEPARTMENT EXCEPT AS AUTHORIZED BY COMPAL ELECTRONICS, INC. NEITHER THIS SHEET NOR THE INFORMATION IT CONTAINS MAY BE USED BY OR DISCLOSED TO ANY THIRD PARTY WITHOUT PRIOR WRITTEN CONSENT OF COMPAL ELECTRONICS, INC.

DELL CONFIDENTIAL/PROPRIETARY

Compal Electronics, Inc.

File: +VCORE

Size: Document Number: LA-3071P

Date: Friday, May 12, 2006 Sheet 50 of 59

Thermistor PH1 should be placed close to the hot spot of the VR

<24.43> IMVP_PWRGD

<6> CLK_ENABLE

<24> DPRSLPVR

VCCSense <8>

VSSSense <8>

NOTE: (Connection VCORE output Cap GND)
De-populate PR113 and PR115 when CPU is present

<IMVP6_PROCHOT> #39

<39.40.43> RUNPWROK

<39.40.43> RUNPWROK

ADP3207_TTSENSE

ADP3207_VBT

ADP3207_DCM

ADP3207_PWM1

ADP3207_CSSUM

ADP3207_CSSUM

ADP3207_CSSUM

ADP3207_CSSUM

ADP3207_CSSUM

ADP3207_CSSUM

ADP3207_CSSUM

Rdson_typ
4.8mohms

Version Change List (P. I. R. List)

Item	Page#	Title	Date	Request Owner	Issue Description	Solution Description	Rev.
1	7	H/W	10/14	INTEL	H_DPRSTP# & H_DPSLP# not need pull down resistor for Intel request	Remove R85,R86	0.2
2	15	H/W	10/14	Steve	SO-DIMMA SM Bus address define need change from A4 to A2 for 945GMS DDR support one channel issue.	Change R135 from pull down to pull up +3.3V_RUN Change R136 from pull up to pull down and change from 100K to 10K	0.2
3	41	H/W	10/14	Steve	Touch PAD module issue	Change JTPAD1.14 from +3.3V_RUN to GND	0.2
4	42	H/W	10/14	Steve	Power sequence issue that +1.8V_RUN too late on +VCC_CORE	Remove R524,C604	0.2
5	43	H/W	10/14	Steve	Add +5V,+3V,+1.8V_RUN power sequence schematic to control sequence	Add R621,R622,R623,R624,R626,R627,Q70,Q71,Q72,Q73,Q74,Q75	0.2
6	17	H/W	10/15	Steve	945GMS support CKE0,CS0#,ODT0 to control on board RAM,so remove CKE1,CS1#,ODT1	Remove RN76,RN80 and add R625,previously T13,T14,T15 for DDR_CKE1,DDR_CS1#,M_ODT1	0.2
7	39	H/W	10/15	Steve	Change BID from X00 to X01	Un-pop R473,pop R469	0.2
8	44	H/W	10/15	Steve	Remove CAP,NUM,SCRL,BT,WLAN LED from M/B to FFC and CAP,NUM,SCRL direct driving LED from MEC5004.	Remove LED6,LED7,LED8,LED9,LED10,Q64,Q65,Q66,add JLED1	0.2
9	19	H/W	10/17	Steve	945GMS control panel backlite (BIA_PWM), the voltage level is 3.3V, so don't need add component for voltage level shift.	Remove U54	0.2
10	40	H/W	10/17	Steve	Resolve EC code damage issue	Reserved R628,R629,R630,R631,R632,C691,Q76,Q77,D22(depoc)	0.2
11	31	H/W	10/27	Steve	Follow M07_R5C843 refer schematic to modify.	Change C424,C425 from 22P to 12P	0.2
12	42	H/W	10/27	Steve	Resolve IMVP_PWRGD glitch during power on/S3 resume	Add R633,C692	0.2
13	9	H/W	10/27	Steve	For Dual Core CPU action	Reserved C693,C694,C695,C696,C697,C698,C699,C700,C701,C702,C703,C704,C705,C706(depoc)	0.2
14	36	H/W	10/27	Steve	Support WoW function for prevent backdrive.	Add D23,no pop R634	0.2
15	34	H/W	10/27	Steve	Keep the BT LED off when the SNIFFER is turned on.	Add R635,R636,Q78	0.2
16	40	H/W	10/31	Steve	Resolve EC flash corruption issue.	Add R637 to pull down.	0.2
17	9	H/W	11/1	Steve	Support one core CPU that follow Intel request just pop 8pcs of 22uF MLCC Cap.	Pop C21,C23,C26,C28,C29,C31,C34,C36	0.2
18	42	H/W	11/3	Dell	Correct C692 value	Change to 470PF	0.2
19	34	H/W	11/3	Dell	SNIFFER_LED_OFF# should be pull up to +3.3V_SUS	Change to pull up power source from +5V_SUS to +3.3V_SUS	0.2
20	36	H/W	11/7	CoE	Nimi-Card Reset change to PLTRST#	Follow CoE M07-Nimicard-a07	0.2
21	36	H/W	11/7	CoE	Nimi-Card WLAN COEX2_WLAN_ACTIVE AND COEX1_BT_ACTIVE ADD 0 ohms: R638 and R639	Follow CoE M07-Nimicard-a07	0.2


PROPRIETARY NOTE: THIS SHEET OF ENGINEERING DRAWING AND SPECIFICATIONS CONTAINS CONFIDENTIAL TRADE SECRET AND OTHER PROPRIETARY INFORMATION OF DELL INC. ("DELL") THIS DOCUMENT MAY NOT BE TRANSFERRED OR COPIED WITHOUT THE EXPRESS WRITTEN AUTHORIZATION OF DELL. IN ADDITION, NEITHER THIS SHEET NOR THE INFORMATION IT CONTAINS MAY BE USED BY OR DISCLOSED TO ANY THIRD PARTY WITHOUT DELL'S EXPRESS WRITTEN CONSENT.

DELL CONFIDENTIAL/PROPRIETARY		
Changed-List History 1		
Size	Document Number	Rev
	LA-3071P	1.0
Date:	Friday, May 12, 2006	Sheet 52 of 59

Version Change List (P. I. R. List)

Item	Page#	Title	Date	Request Owner	Issue Description	Solution Description	Rev.
22	36	H/W	11/7	CoE	C685 STUFFED	Follow CoE M07-Nimicard-a07	0.2
23	32	H/W	11/7	CoE	SIM Module C505, C506, C507, C508 Change to 33P_0402, and C508 stuffed	Follow CoE M07-Nimicard-a07	0.2
24	44	H/W	11/7	Steve	Sniffer LED Indicator Error	Swap D18 pin2,3 of LED	0.2
25	24	H/W	11/8	CoE	R370 Move to ICH7 side	Follow CoE M07-ICH a07	0.2
26	31	H/W	11/8	CoE	C428, C429, C430 add the note to close connector	FollowM07_R5C843_REF_SCHEMATICS_A00	0.2
27	31	H/W	11/8	CoE	C424, C425 add a note to change the value after measure the starting value	FollowM07_R5C843_REF_SCHEMATICS_A00	0.2
28	31	H/W	11/8	CoE	C431 change from 0.01u to 0.1u	FollowM07_R5C843_REF_SCHEMATICS_A00	0.2
29	31	H/W	11/8	CoE	+SD_VCC change to +3.3V_RUN_CARD	FollowM07_R5C843_REF_SCHEMATICS_A00	0.2
30	32	H/W	11/8	CoE	VCC_PCI/ VCC_MD3V add C707_0.01u	FollowM07_R5C843_REF_SCHEMATICS_A00	0.2
31	32	H/W	11/8	CoE	R389_100 remove	FollowM07_R5C843_REF_SCHEMATICS_A00	0.2
32	32	H/W	11/8	CoE	C448/ C449 /C684 change to 0.01u_0402	FollowM07_R5C843_REF_SCHEMATICS_A00	0.2
33	32	H/W	11/8	CoE	VCC_CBS add C708_10u and C709_0.01u	FollowM07_R5C843_REF_SCHEMATICS_A00	0.2
34	32	H/W	11/8	CoE	+VCC_CBS rename to VCC_CBS, +CBS_VPP rename to CBS_VPP	FollowM07_R5C843_REF_SCHEMATICS_A00	0.2
35	44	H/W	11/8	CoE	Bluetooth LED disable function when Sniffer Active update, follow travis: R636 pull-up to +3.3_ALW, Q56 --> 3906, R635 --> remove. But depop R636	Follow Travis	0.2
36	29	H/W	11/9	Brocadcom	Change RDAC for Broadcom request.	Change R338 from 1.15K to 1.18K.	0.2
37	34	H/W	12/8	Steve_Wang	Resolve Bluetooth LED always light	Pop R408	0.3
38	9	H/W	12/8	Steve_Wang	Separate BOM type for different CPU.	Pop 1@ for Signal core 1.06G Pop 2@ for Singal core 1.2G Pop 3@ for Dual core 1.06G	0.3
39	29	H/W	12/13	Steve_Wang	Prevent Q23 damage issue for transfor +3.3V_LAN to +2.5V_LOM	Add R640,C710	0.3
40	20	H/W	12/13	Steve_Wang	Resolve DVI test fail issue	1. Change C245,C236 from 0.1U to 10U 2. Change R169,R170,R171,R172 from 300ohm to 110ohm 3. Change R175 from 300ohm to 220ohm 4. Pop C238,C247	0.3
41	26	H/W	12/13	Steve_Wang	Resolve-HDD_EN#-have-spike when power-on	Change-R279-from-100K-to-4.7K	0.3
42	39	H/W	12/13	Steve_Wang	Change BID from X01 to X02	Unpop R469,R474; pop R470,R473	0.3

PROPRIETARY NOTE: THIS SHEET OF ENGINEERING DRAWING AND SPECIFICATIONS CONTAINS CONFIDENTIAL TRADE SECRET AND OTHER PROPRIETARY INFORMATION OF DELL INC. ("DELL") THIS DOCUMENT MAY NOT BE TRANSFERRED OR COPIED WITHOUT THE EXPRESS WRITTEN AUTHORIZATION OF DELL. IN ADDITION, NEITHER THIS SHEET NOR THE INFORMATION IT CONTAINS MAY BE USED BY OR DISCLOSED TO ANY THIRD PARTY WITHOUT DELL'S EXPRESS WRITTEN CONSENT.

			DELL CONFIDENTIAL/PROPRIETARY		
Title Changed-List History 2					
Size	Document Number				Rev
	LA-3071P				1.0
Date:	Friday, May 12, 2006	Sheet	53	of	59

Version Change List (P. I. R. List)

Item	Page#	Title	Date	Request Owner	Issue Description	Solution Description	Rev.
43	39	H/W	12/14	CoE	C638 STUFFED	Follow CoE M07_EC_Latitude_A07	0.3
44	26	H/W	12/14	CoE	Change HDD_EN# signal from ICH to SIO	1.Change HDD_EN# from ICH to ECE5018 pin106. 2.Add R644 to pull-up +3.3V_ALW 3.Delete R279 to pull-down 4.Rename signal at ICH to RSVD_HDDC_EN# and add Test Point	0.3
45	24,40	H/W	12/16	CoE	SPI_CS# have spike over 4.5V when power on	Add R641,R642 damping to prevent.	0.3
46	31	H/W	12/19	MikeCC_Huang	Measure SD EA find Data overshoot,undershot over 3.3V	Add R645,R646,R647,R648 damping to meliorate.	0.3
47	21	H/W	12/20	DELL	+CRT_VCC current limit issue	Add 1206 Res of R649.	0.3
48	28	H/W	12/21	DELL	Fine tuning AUD_LINE_OUT signal	Change C368 from 0.0047u(X5R) to 4700P(X7R)	0.3
49	24	H/W	12/21	DELL	Follow DELL request	Change R265 contact from R641 pin1 to pin2	0.3
50	27,28	H/W	12/21	DELL	Follow DELL request	Change Auido by-pass cap to X5R	0.3
51	18	H/W	12/21	DELL	Follow DELL request	Add VSET,LDO_SET note	0.3
52	21	H/W	12/21	COE	Follow COE M07_CRT_LVDS_DVI rev A07schematic	Add R650,R651	0.3
53	42	H/W	12/21	COE	Follow COE M07_System power sequence_A07 schematic	Add D24 for fast turn Off FET	0.3
54	43	H/W	12/21	COE	Follow COE M07_System power sequence_A07 schematic	Change Q63 from MMBT3904 to 2N7002 that it has good margin to turn	0.3
55	28	H/W	12/22	COE	Follow COE M07_AUDIO_A05 schematic	Add EAPD signal & Q79 for power saving control	0.3
56	29	H/W	12/23	Crystal EA	Follow vendor suggest to modify resistor to match crystal negative resistor EA	Change R334 from 200 to 330ohm	0.3
57	31	H/W	12/23	Crystal EA	Follow vendor suggest to modify cap to match crystal EA	Change C424,C425 from 12P to 18P.	0.3
58	21	H/W	12/23	RGA EA	For lpix 1600x1200 rising/falling time over spec issue	Change L18,L19,L20 from 60ohm to 22ohm	0.3
59	39	H/W	12/23	Crystal EA	Follow vendor suggest to modify crystal	Change Y1 from 24MHz_20pF to 24MHz_12pF	0.3
60	30	H/W	12/26	DELL	Follow DELL resolution of test Media Slice,APR,DAPR return loss issue	1.Change R342,R343,R344,R345,R346,R347,R348,R349 from 49.9 to 48.7ohm 2.Change L39,L40,L41,L42,L43,L44,L45,L46 from 24NH to 39NH	0.3
61	30	H/W	2/18	EMI	EMI test ISN of LAN on 10/100 item fail.The solution are pop C421,C422 and change C419~C422 character from Y5Vto X5R	1.Pop C421,C422 2.Change C419~C422 character from Y5V to X5R	0.4
62	31	H/W	2/18	STEVE_WANG	System can't boot issue.	Unpop R609	0.4
63	28	H/W	2/27	DELL	Follow DELL request to modify amplifier gain from 10db to 15.6db for fix small sound on speaker issue	Unpop R311,R312; pop R310,R313	0.4
64	28	H/W	2/27	DELL	Follow DELL request to modify cap value from 0.047u to 4700p for best pop and click performance	Change C367,C369,C371 from 0.047U to 4700P	0.4
65	9	H/W	3/2	DELL	Follow Intel document to modify 330u 7mohm to 6mohm	Change C41,C42,C43,C44,C705,C706 from 330U 7mohm to 6mohm	0.4
66	12	H/W	3/2	DELL	Follow DELL request to add shunt caps between LVDS signal.	Add 10P_0402 of C711,C712,C713,C714	0.4
67	32	H/W	3/6	DELL	DELL support Express USB Card can't work on R5C843 issue.	Add schematic of U62,U63,U64,U65,C715,C716,C722,C723,R652,R654,R655	0.4

PROPRIETARY NOTE: THIS SHEET OF ENGINEERING DRAWING AND SPECIFICATIONS CONTAINS CONFIDENTIAL TRADE SECRET AND OTHER PROPRIETARY INFORMATION OF DELL INC. ("DELL") THIS DOCUMENT MAY NOT BE TRANSFERRED OR COPIED WITHOUT THE EXPRESS WRITTEN AUTHORIZATION OF DELL. IN ADDITION, NEITHER THIS SHEET NOR THE INFORMATION IT CONTAINS MAY BE USED BY OR DISCLOSED TO ANY THIRD PARTY WITHOUT DELL'S EXPRESS WRITTEN CONSENT.

DELL CONFIDENTIAL/PROPRIETARY

Chaged-List History 3

Size	Document Number	Rev
	LA-3071P	1.0
Date:	Friday, May 12, 2006	Sheet 54 of 59

Version Change List (P. I. R. List)

Item	Page#	Title	Date	Request Owner	Issue Description	Solution Description	Rev.
68	39	H/W	3/7	DELL	DELL support Express USB Card can't work on R5C843 issue.	Reserve 0ohm of R653 for control Express card detect.	0.4
69	18	H/W	3/9	Thermal	Modify OTP thermal shut down to 91 degree.	Change R157 from 41.2K to 68K	0.4
70	31	H/W	3/10	Mikecc_Huang	SD bus signal overshoot/undershoot over spec.	Add C717,C718,C719C720	0.4
71	27	H/W	3/10	SIGMATEL	Follow sigmatel request to add cap for SENSE_A signal	Add 1000P cap	0.4
72	28	H/W	3/10	SIGMATEL	Follow sigmatel request to add NB_MUTE signal for control MAX4411 shutdown.	Add Q80 of NB_SENSE signal to control MAX4411 shutdown	0.4
73	28	H/W	3/10	SIGMATEL	Follow sigmatel request to add ESD diode for avoid High pol	Reserve D25	0.4
74	28	H/W	3/10	SIGMATEL	Follow sigmatel request for MIC BIAS.	Unpop R299,R300	0.4
75	35	H/W	3/10	DELL	Modiy USB_BIO-/USB_BIO+ ESD IC to choke	Add R657,R658; reserve L67,C724,C725; delete U55	0.4
76	35	H/W	3/10	Mikecc_Huang	Advoid LID_CL# have some error on ALPS touchpad module.	Add PJP13	0.4
77	32	H/W	4/10	Mikecc_Huang	Result remove PCMCIA Card can't reduce default issue	Add R659	1.0
78	41	H/W	4/10	DELL	Improve LVDS for 3 dB (CDMA, GSM) at 1900 band	Pop C575~C599 Change C712,C713,C714 from 10P to 3.3P.	1.0
79	39	H/W	4/10	Steve_Wang	Change Board ID from X02 to A00	Pop R473,R474,R471;unpop R469,R470,R475	1.0
80	6	H/W	4/17	Steve_Wang	Result WWAN noise issue	Change R35,R36,R32,R34,R605 from 15ohm to 39ohm Change R37,R38,R39,R48 from 33ohm to 56ohm	1.0
81	29	H/W	4/21	DELL	Add cap for damp power-up surge current	Add C726 of 4700P Cap.	1.0
82	6	H/W	4/28	DELL	Result WWAN noise issue	Unpop R561	1.0
83	6	ME	4/28	CT_Huang	Avoid FPC easy to remove from connector	Add JP6,JP10 that co-lay with JP4,JLED1	1.0
84	9	Power	4/28	Kenneth_Chang	Result DC CPU noise	Remove C24,C32,C695,C696,C701,C702	1.0
85	44	H/W	5/9	Steve_Wang	Result HDD,Power,Battery Charger,Bluetooth,WLAN LED lightness irregularity issue	Change R615,R543 to 51ohm,R540 to 47ohm;R542,R547 to 330ohm,R551 to 56ohm	1.0
86	44	H/W	5/12	Steve_Wang	Result NUM,CAP,SCRL,Bluetooth,WLAN LED brightness irregularity issue	Change R545,R546,R547,R548 to 510ohm,R542 to 1Kohm	1.0

PROPRIETARY NOTE: THIS SHEET OF ENGINEERING DRAWING AND SPECIFICATIONS CONTAINS CONFIDENTIAL TRADE SECRET AND OTHER PROPRIETARY INFORMATION OF DELL INC. ("DELL") THIS DOCUMENT MAY NOT BE TRANSFERRED OR COPIED WITHOUT THE EXPRESS WRITTEN AUTHORIZATION OF DELL. IN ADDITION, NEITHER THIS SHEET NOR THE INFORMATION IT CONTAINS MAY BE USED BY OR DISCLOSED TO ANY THIRD PARTY WITHOUT DELL'S EXPRESS WRITTEN CONSENT.

DELL CONFIDENTIAL/PROPRIETARY			
Title Changed-List History 4			
Size	Document Number		Rev
	LA-3071P		1.0
Date:	Friday, May 12, 2006	Sheet	55 of 59

Version Change List (P. I. R. List)

Item	Page#	Title	Date	Request Owner	Issue Description	Solution Description	Rev.
1	51	PWR	10/14	Kenny	For support Adapter 45W	Add PR154 154K_0402_1% (SD03415438L) connect net (ADAPT_TRIP_SEL) to PU9_2 Add net name "ADAPT_TRIP_SEL"	0.2
2	51	PWR	10/14	Kenny	FBSA of the MAX8731 for dV/dt filtering per DELL's recommendation	Add PC135 0.01U_0603_25V (SD03415438L) connect FBSA to GND	0.2
3	51	PWR	10/27	Kenny	Moved battery voltage feedback to charge states	Connected pins 15 and 16 together changed connection to +VCHGR. Add PR155	0.2
4	51	PWR	10/27	Kenny	Added layout notes for PC135 and PC136		0.2
5	51	PWR	10/27	Kenny	Adjusted the current setting of the "UL" circuit and added hysteresis	change value of the PR142 from 499K to 4.32M, change value of the PR148 from 33.2K to 27.4K	0.2
6	50	PWR	10/27	Kenny	Adjusted the Load line setting	change value of the PR108 from 249K to 12K, change value of the PR114 from 48.7K to 2.37K Remove PC93	0.2
7	50	PWR	10/27	Kenny	Adjusted the transient setting	Change value of the PR106 from 511K to 392K, Change value of the PR114 from 82.5K to 160K Add PC94 as originally 1000pF	0.2
8	47	PWR	10/31	Kenny	When AC source plug in, the suson turn on about 120ms immediately.	Change value of the PR27 from 10K to 0, Change value of the PR30 from 10K to 0. Add PR156 and PR157	0.2
9	47	PWR	11/02	Kenny	Remove PR156 and change PR157 location from PR30_1 to PR30_2.		0.2
10	51	PWR	11/02	Kenny	Vcore noise issue and ME's high limit	Remove PC74 and add PC Change value of the PC79 from 1210 type to 1206, Change value of the PC80 from 1210 type to 1206	0.2
11	51	PWR	11/07	Kenny	Follow MAX8731 reference schematic of A07 version	Add Table1 for ADP_OCP circuit. Modify value of PR147 from 59K to 56.2K	0.2
12	47	PWR	11/07	Kenny	Follow TPS51120 reference schematic of A06 version	Change value of the PR27 from 0 to 10K, Change value of the PR30 from 0 to 10K.	0.2
13	51	PWR	11/29	Kenny	Follow COE reference schematic of A09 version. PC135 may not be needed	Change PC135 to "NO STUFF"	0.3
14	51	PWR	11/29	Kenny	Follow COE reference schematic of A09 version. PC138 may be needed	Add PC138	0.3
15	51	PWR	12/12	Kenny	Deeply discharged battery problem	Add PR158 and PD19	0.3

PROPRIETARY NOTE: THIS SHEET OF ENGINEERING DRAWING AND SPECIFICATIONS CONTAINS CONFIDENTIAL TRADE SECRET AND OTHER PROPRIETARY INFORMATION OF DELL INC. ("DELL") THIS DOCUMENT MAY NOT BE TRANSFERRED OR COPIED WITHOUT THE EXPRESS WRITTEN AUTHORIZATION OF DELL. IN ADDITION, NEITHER THIS SHEET NOR THE INFORMATION IT CONTAINS MAY BE USED BY OR DISCLOSED TO ANY THIRD PARTY WITHOUT DELL'S EXPRESS WRITTEN CONSENT.

DELL CONFIDENTIAL/PROPRIETARY			
Changed-List History 2			
Size	Document Number		Rev
	LA-3071P		1.0
Date:	Friday, May 12, 2006	Sheet	58 of 59

Version Change List (P. I. R. List)

Item	Page#	Title	Date	Request Owner	Issue Description	Solution Description	Rev.
1	50	PWR	12/15	Kenny	Resolve a Choke for Dual Core CPU	Add PL17 and POP 4@ for Dual core	0.3
2	46	PWR	12/15	Kenny	Modify battery connecter the same pine length for P+ and GND	Change P/N form DC040001R0L to DC04000380L	0.3
3	51	PWR	12/20	Kenny	Solve Inaccuracte CP point for 65W adapter-in current	Add PC139 and PC140 for "NO STUFF"	0.3
4	47	PWR	12/20	Kenny	TDC requirement	Add PR159	0.3
5	50	PWR	12/20	Kenny	We plan to add MOSFET for dual core CPU and have layout space limitation. So change PL13 size from 1810 to 1206.	Change PL13 size from 1810 to 1206.	0.3
6	48	PWR	12/21	Kenny	Delay the 1.5VRUN to meet Intel spec for the 3VRUN vs 1.5VRUN specification.	Add PD20 and PC141	0.3
7	47	PWR	12/21	Kenny	GG Issue item 19	Change to 0 ohms for PR159	0.3
8	50	PWR	12/21	Kenny	EMI test is ok, and have layout limitation issue for Dual core after adding low side MOS	Del PR151 and PC83	0.3
9	49	PWR	12/21	Kenny	Follow M07_DDR11_SC480_TPS51116_A04 circuit	Change PR78 to 27.4K, PR77 to 17.4K.	0.3
10	47	PWR	12/22	Kenny	TDC requirement	Change to 470K ohms for PR159	0.3
11	48	PWR	12/22	Kenny	Follow M07_1_05V1_5V_SC483_TPS51483_A07 circuit	"NO STUFF" for PC141	0.3
12	49	PWR	12/22	Kenny	Modify single and dual core note		0.3
13	50	PWR	12/23	Kenny	TDC requirement	Change PC90 from 680p to 390pF	0.3
14	50	PWR	12/26	Kenny	Modify the Footprint for PQ16		0.3
15	47	PWR	12/27	Kenny	Kemet CAP quantity issue	Change from SGA00000N8L to SGA00001A8L for 2 pcs. (PC25) Change from SGA00000N8L to SGA1933131L for 2 pcs. (PC23)	0.3

PROPRIETARY NOTE: THIS SHEET OF ENGINEERING DRAWING AND SPECIFICATIONS CONTAINS CONFIDENTIAL TRADE SECRET AND OTHER PROPRIETARY INFORMATION OF DELL INC. ("DELL") THIS DOCUMENT MAY NOT BE TRANSFERRED OR COPIED WITHOUT THE EXPRESS WRITTEN AUTHORIZATION OF DELL. IN ADDITION, NEITHER THIS SHEET NOR THE INFORMATION IT CONTAINS MAY BE USED BY OR DISCLOSED TO ANY THIRD PARTY WITHOUT DELL'S EXPRESS WRITTEN CONSENT.



DELL CONFIDENTIAL/PROPRIETARY

Title: **Changed-List History 2**

Size: Document Number

Date: Friday, May 12, 2006

Sheet: 57 of 59

Rev: 1.0

LA-3071P

Version Change List (P. I. R. List)

Item	Page#	Title	Date	Request Owner	Issue Description	Solution Description	Rev.
1	48	PWR	2/11	Kenny	Footprint error for PD20	Modify footprint from SOD323 to SOT323	0.4
2	51	PWR	2/11	Kenny	Location error for MOSFET	STUFF for PQ27, NO-STUFF for PQ16	0.4
3	50	PWR	2/20	Kenny	The OCP setting is 20 A for Dual Core CPU	Adding NO-stuff for 215K on PR104	0.4
4	50	PWR	2/21	Kenny	The load line is "-2.1m" for Dual Core CPU.	Adding NO-stuff for 5.76K on PR114	0.4
5	48	PWR	2/22	Kenny	CYNTEC is not on DELL's AVL	Change the vender from DELTA to CYNTEC on PL9 and PL10	0.4
6	49	PWR	2/22	Kenny	CYNTEC is not on DELL's AVL	Change the vender from DELTA to CYNTEC on PL12	0.4
7	47	PWR	2/22	Kenny	Follow COE schetmatic for A06 version	Modify net name from +3.3V_ALW to +3.3V_RTC_LDO for PU7_PIN5	0.4
8	51	PWR	2/23	Kenny	Follow COE schetmatic for A11 version	Modify PQ18 and PQ19 from SI4825 to SI4835	0.4
9	47	PWR	2/24	Kenny	No 2nd source for PC25	Change from SGA00001A8L to SGA1933131L for 2 pcs. (PC25)	0.4
10	47	PWR	3/6	Kenny	+3.3V_RTC_LDO voltage drop issue	Add PU10, PC143, PC142, PR160, PR162 and PR161	0.4
11	45	PWR	3/8	Kenny	+3.3V_RTC_LDO voltage drop issue	Move PU10, PC143 and PC142 from page47 to page45	0.4
12	50	PWR	3/17	Mike	Error description for Dual Core load line	Dual Core Load Line change to 2.1mohm	0.4
13	47	PWR	4/25	Kenny	+3.3V_RTC_LDO voltage drop issue	change PR40 from 470K to 4.7K, - change PR159 from 470K to 2.2M, - change PC32 from 0.1U to 0.01uF, - add UN-STYFF Schottky diode PD21 in parallel to PR159	0.5
14	48	PWR	4/25	Kenny	Delta ckoke has dimension issue	Change the vender from CYNTEC to DELTA on PL9 and PL10	0.5
15	49	PWR	4/25	Kenny	Delta ckoke has dimension issue	Change the vender from CYNTEC to DELTA on PL9 and PL10	0.5

PROPRIETARY NOTE: THIS SHEET OF ENGINEERING DRAWING AND SPECIFICATIONS CONTAINS CONFIDENTIAL TRADE SECRET AND OTHER PROPRIETARY INFORMATION OF DELL INC. ("DELL") THIS DOCUMENT MAY NOT BE TRANSFERRED OR COPIED WITHOUT THE EXPRESS WRITTEN AUTHORIZATION OF DELL. IN ADDITION, NEITHER THIS SHEET NOR THE INFORMATION IT CONTAINS MAY BE USED BY OR DISCLOSED TO ANY THIRD PARTY WITHOUT DELL'S EXPRESS WRITTEN CONSENT.



DELL CONFIDENTIAL/PROPRIETARY

Changed-List History 2

Size	Document Number	Rev
	LA-3071P	1.0
Date:	Friday, May 12, 2006	Sheet 58 of 59

Version Change List (P. I. R. List)

Item	Page#	Title	Date	Request Owner	Issue Description	Solution Description	Rev.
1	50	PWR	4/25	Kenny	CPU noise issue	For Dual CPU: Modify PR101 from 10K to 20K PC88 from 820P to 470P PC90 from 390P to 470P	0.5
2	50	PWR	4/28	Kenny	CPU noise issue	No STUFF PC80 for DUAL CORE CPU	

PROPRIETARY NOTE: THIS SHEET OF ENGINEERING DRAWING AND SPECIFICATIONS CONTAINS CONFIDENTIAL TRADE SECRET AND OTHER PROPRIETARY INFORMATION OF DELL INC. ("DELL") THIS DOCUMENT MAY NOT BE TRANSFERRED OR COPIED WITHOUT THE EXPRESS WRITTEN AUTHORIZATION OF DELL. IN ADDITION, NEITHER THIS SHEET NOR THE INFORMATION IT CONTAINS MAY BE USED BY OR DISCLOSED TO ANY THIRD PARTY WITHOUT DELL'S EXPRESS WRITTEN CONSENT.

DELL CONFIDENTIAL/PROPRIETARY			
Changed-List History 2			
Size	Document Number		Rev
	LA-3071P		1.0
Date:	Friday, May 12, 2006	Sheet	59 of 59

www.s-manuals.com