

DV45K6500GV

Samsung Front-Load Gas Dryer

7.5 cu. ft. Capacity

Features

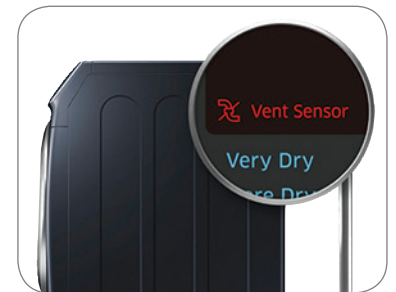
- ENERGY STAR® 2016 Certified
- Multi-Steam Technology:
 - Steam Refresh
 - Steam Wrinkle Away
 - Steam Sanitize
- Vent Sensor™
- Stainless Steel Drum
- Eco Dry Technology
- Smart Home Ready
- Smart Care
- Sensor Dry
- 14 Preset Drying Cycles
- 11 Options
- 5 Temperature Settings
- 3-Way Venting
- Dual Heaters
- Dryer Drum Light
- Reversible See-Through Door

Convenience

- Child Lock
- My Cycle Option
- Filter Check Indicator



Multi-Steam Technology



Vent Sensor

Available Colors:



Black Stainless Steel



White

Signature Features

ENERGY STAR® 2016 CERTIFIED

- Meets strict energy-consumption requirements.

MULTI-STEAM TECHNOLOGY

- Helps remove wrinkles and odors, and freshens clothes so you can spend less time ironing and less money at the dry cleaners.

VENT SENSOR™

- Detects duct blockages and reminds you to clean your vent.
- Conveniently allows you to forward these alerts to your smartphone.

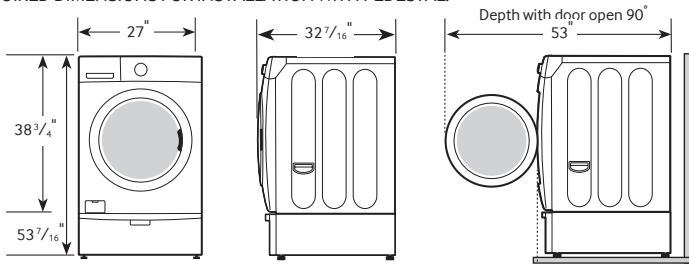
SAMSUNG

DV45K6500GV

Samsung Front-Load Gas Dryer

Dimensions

REQUIRED DIMENSIONS FOR INSTALLATION WITH PEDESTAL:

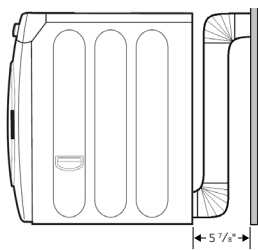
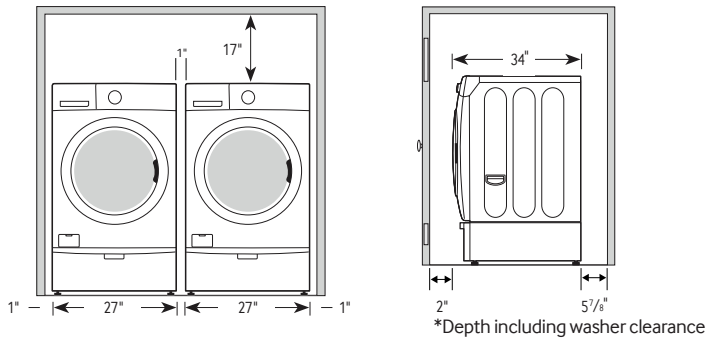


Installation Specifications

If the washer and dryer are installed together or the dryer alone, the closet front must have two unobstructed air openings for a combined minimum total area of 72 in.² (see stacked build below). Your washer alone does not require a specific air opening.

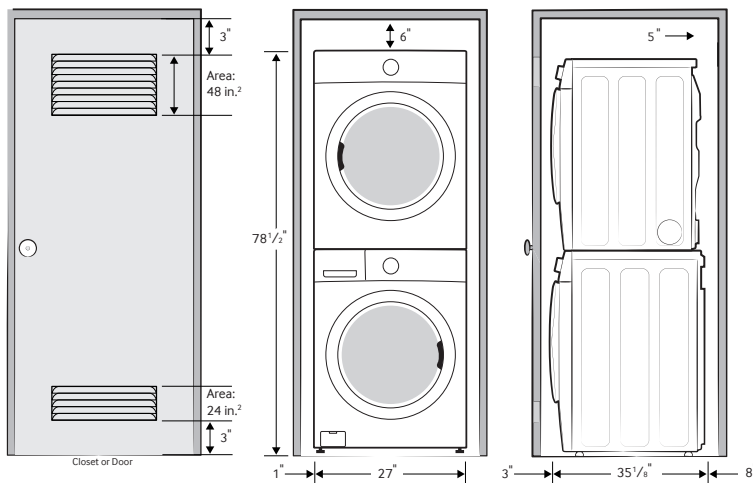
1. Alcove or closet installation

MINIMUM CLEARANCES FOR CLOSET AND ALCOVE INSTALLATIONS:



If the exhaust duct is installed at the rear of the dryer, the rear must have at least 5 7/8 inch clearance.

2. With stacked washer and dryer



7.5 cu. ft. Capacity DOE

3-Way Venting

14 Preset Dry Cycles:

Steam Refresh, Steam Wrinkle Away, Steam Sanitize, Eco Normal, Normal, Heavy Duty, Permanent Press, Active Wear, Bedding, Delicates, Wool, Time Dry, Air Fluff, Quick Dry

11 Options:

Mixed Load Bell, Wrinkle Prevent, Anti-Static, My Cycle, Adjust Time (Up), Adjust Time (Down), Eco Dry, Sound, Child Lock, Smart Care, Drum Light

5 Temperature Settings:

High, Medium, Medium Low, Low, Extra Low

5 Dry Levels:

Very Dry, More Dry, Normal Dry, Less Dry, Damp Dry

Warranty

One (1) Year Parts and Labor

One (1) Year Control Board

Product Dimensions & Weight (WxHxD)

Dimensions: 27" x 38 3/4" x 32 7/16"

Weight: 126 lbs

Shipping Dimensions & Weight (WxHxD)

Dimensions: 29 3/8" x 42 3/8" x 33 1/2"

Weight: 134 lbs

Gas

Black Stainless Steel	DV45K6500GV	887276138411
White	DV45K6500GW	887276138428

Electric

Black Stainless Steel	DV45K6500EV	887276138381
White	DV45K6500EW	887276138404

Matching Washer

Black Stainless Steel	WF45K6500AV	887276138121
White	WF45K6500AW	887276138138

Optional Stacking Kit

Sold separately	SKK-7A	887276146423
-----------------	--------	--------------

Optional Side Vent Kit

Sold separately	DV-2A/XAA	887276146416
-----------------	-----------	--------------



Actual color may vary. Design, specifications, and color availability are subject to change without notice. Non-metric weights and measurements are approximate.

The Emerging Technology award recognizes innovative products that have the potential to significantly reduce greenhouse gas emissions.

©2016 Samsung Electronics America, Inc. 85 Challenger Road, Ridgefield Park, NJ 07660. Tel: 800-SAMSUNG. samsung.com. Samsung is a registered trademark of Samsung Electronics Co. Ltd.