

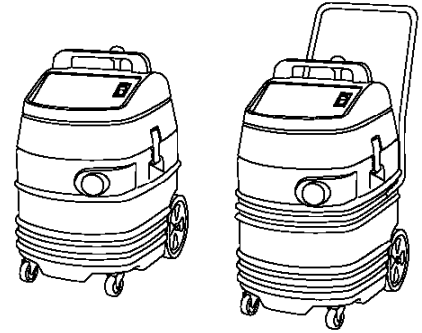
# PULLMAN-HOLT

## Replacement Parts List

Save For Future Reference

### Evacuator Series

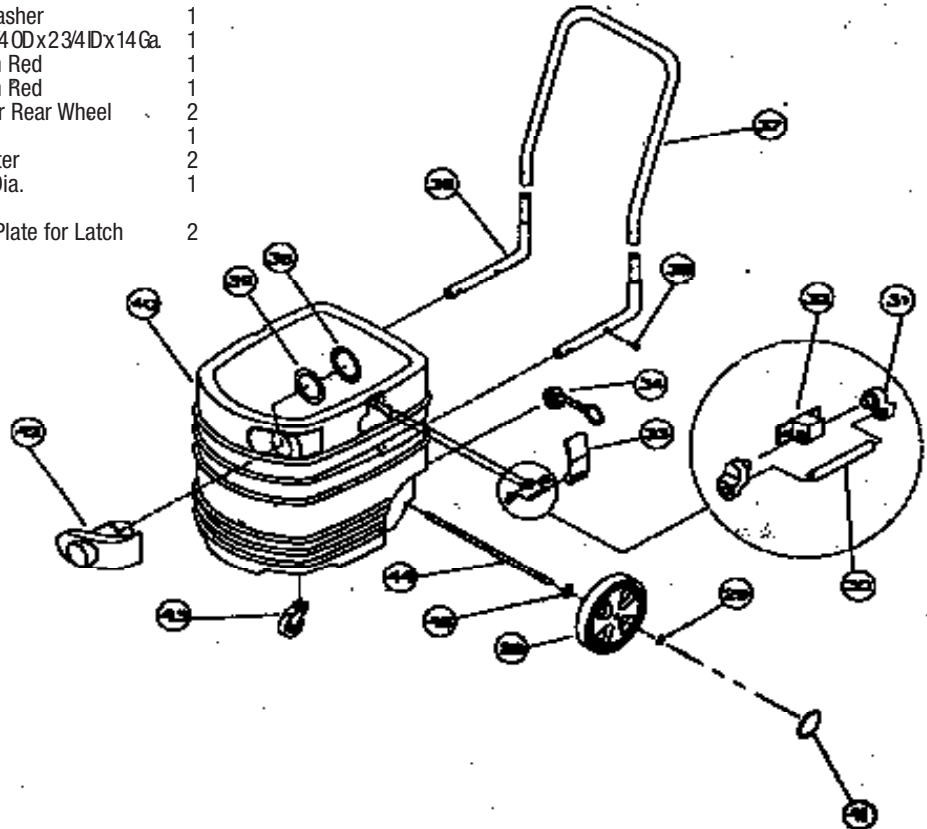
15 & 20 Gallon Wet/Dry Vacuum Cleaner



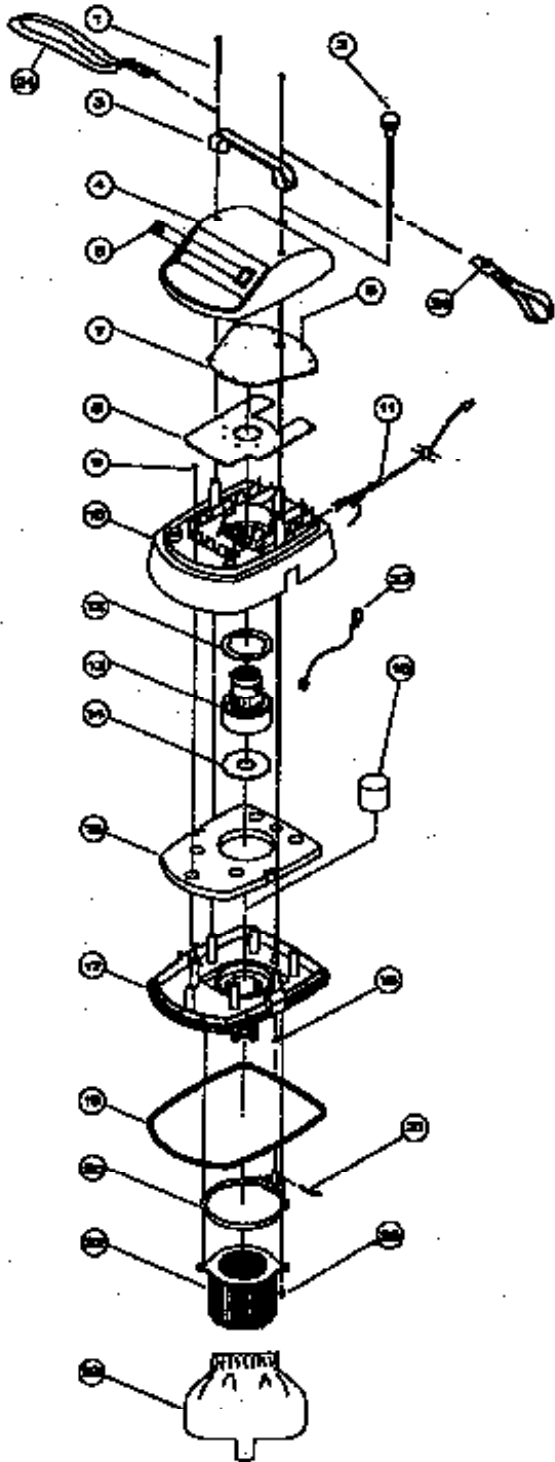
### REPLACEMENT PARTS LIST: VACMOBILE ASSEMBLY

Ref. No.	Part No.	Description	Qty.
28	B703544	Rear Wheel	2
29	B910073	Axle Cap	2
30	B703059	Latch Pin	2
31	B703064	Link for Latch	4
32	B703066	Mount for Latch	2
33	B703065	Latch	2
34	PV30024	Cap Assy w/ Lanyard for Drain	1
35	PV30066	Screw 1/4-20 x 1 1/4' Lg.	4
36	B703062	Mounting Handle (20 gal only)	1
37	B703063	Handle	1
38	B703356	Retainer Washer	1
39	B703357	Washer 3/4 OD x 2 3/4 ID x 14 Ga.	1
40A	B260777	15 Gal. Can Red	1
40B	B260780	20 Gal. Can Red	1
41	B703549	Hub Cap for Rear Wheel	2
42	B703082	Inlet	1
43	B703060	Swivel Caster	2
44	B703055	Axle 7/16 Dia.	1

not shown PV30082 Back - Up Plate for Latch 2



# REPLACEMENT PARTS LIST: MOTOR HEAD ASSEMBLY



Ref. No.	Part No.	Description	Qty.
1	B703036	Screw 1/4-20 x 8 3/4 lg	2
2	B260781	Knob&RodAsy	1
3	B703067	Handle	1
4	B703078	Dome	1
5	PV30004	Switch	1
6	B703061	Push-on Retainer Washer	12
7	B703069	Gasket Cooling Chamber	1
8	B703068	Gasket Hot Air Chamber	1
9	B703051	Screw 1/4" Hi-b x 3/4 Lg.	5
10	B703077	Blower Chamber	1
11	B703773	Cord set 120V	1
12	B701100	Gasket Motor Top	1
13A	B527297	Vac Motor 120 V	1
13B	B701293	Vac Motor 220 V	1
14	B703081	Gasket Motor - Bottom	1
15	B703129	Sound Dampening Pad	1
16	B703054	Float	1
17	B703076	Can Cap	1
18	B703048	Tee Nut	2
19	B703053	Gasket Can Cap	1
20	B703079	Filter Cleaning Ring	1
21	B703050	SS Hairpin	1
22	B703372	Cartridge Filter	1
23	B703326	Never - Clog Filter Bag	1
24	B703430	Hose Strap	1
25	B703417	Thumb Screw	2
26	B703431	Cord Strap	1
27	B703774	Motor Connecting Wire	2

**PULLMAN-HOLT**

10702 N 46th Street • Tampa, FL 33617  
 (813)971-2223 • fax (813) 971-6090  
[www.pullmanholtcorp.com](http://www.pullmanholtcorp.com)