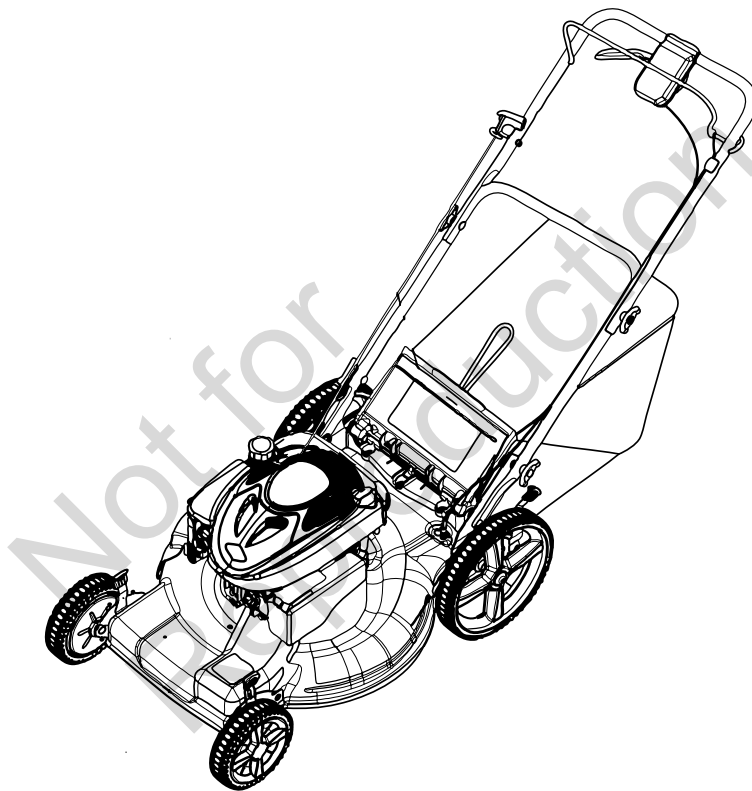


Parts Manual



Models

Mfg. No.	Description
7800883	BTX22725HW, 22" 7.25GT Self-Propelled Walk Behind Mower (2012)
7800892	BTSPV22675HWFC, 22" 7.25GT Self-Propelled Walk Behind Mower (2012)

Manual Part No. 1754655

Revision -

Rev. Date: 2/21/2012

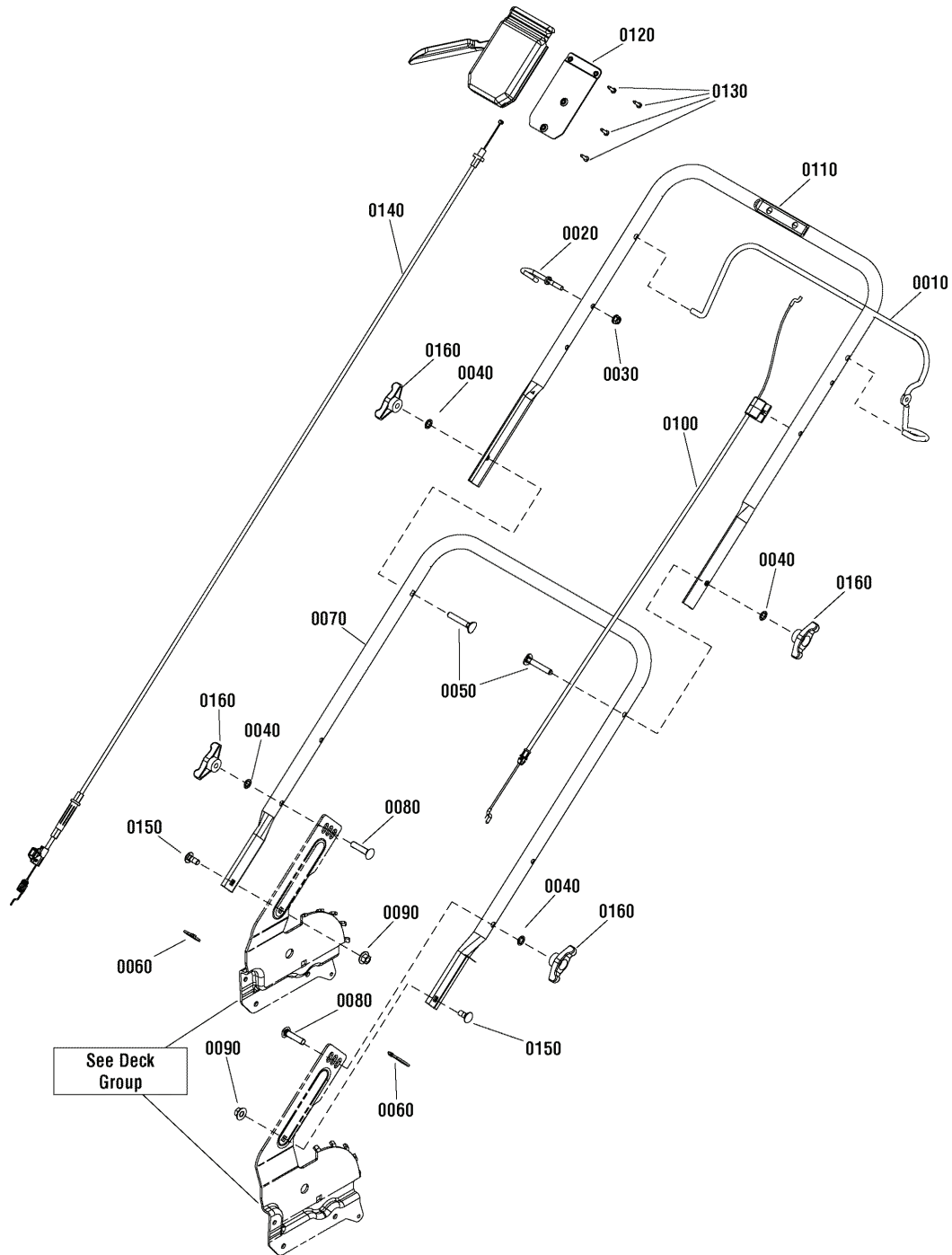
Not for
Reproduction

PRODUCT COMPONENTS	PAGES
Handle & Controls Group	4
Handle & Controls Group	6
Engine Group	8
Engine Group	10
Transmission Group, Front Wheel Drive	12
Wheels Group	14
Decals Group	16
Deck Group	18
Grass Catcher	20
Torque Specification Chart	Inside Back Cover

Not for
Reproduction

Handle & Controls Group

NOTE: Unless noted otherwise,
use the standard hardware torque
specification chart.



The above parts group applies to the following Mfg. Nos.:
7800883 - BTX22725HW

Handle & Controls Group

REF NO	PART NO.	QTY.	DESCRIPTION
0010	7101731AMA	1	BAIL, Operator Presence Control, Propelled, Brute
0020	7028488MA	1	GUIDE, ROPE (1/4-20 thread)
0030	2860694SM	1	NUT, Hex Flange, 1/4-20
0040	7090391SM	4	WASHER, 5/16" Internal Tooth Lock
0050	7091189YP	2	BOLT, Curved Head Square Neck, 5/16-18 x 2", GR 2
0060	7024649YP	2	WIRE TIE, 11 Inch Std Black Nylon
0070	7300592AMA	1	HANDLE, Lower, 21" Rear Discharge
0080	1931337SM	2	BOLT, 5/16-18 x 1-1/2" Short Square Neck Carriage GR 5
0090	7090951SM	2	NUT, 5/16-18 Hex Large Flange Center Lock
0100	7101395YP	1	CABLE, Bail, 22" Walk-Behind Mower
0110	7300676AMA	1	HANDLE, Upper, Brute, Propelled
0120	7300130AMA	1	PLATE, Control Panel
0130	7100225YP	4	SCREW, #8-16 Torxplus Recessed Pan Head, Twin Helix
0140	7103677YP	1	ASSEMBLY, Control Box, Variable Speed
0150	340720MA	2	BOLT, Carriage 5/16-18 x .75
0160	7035744YP	4	KNOB, 5/16-18, Wing, Black

Not for
Reproduction

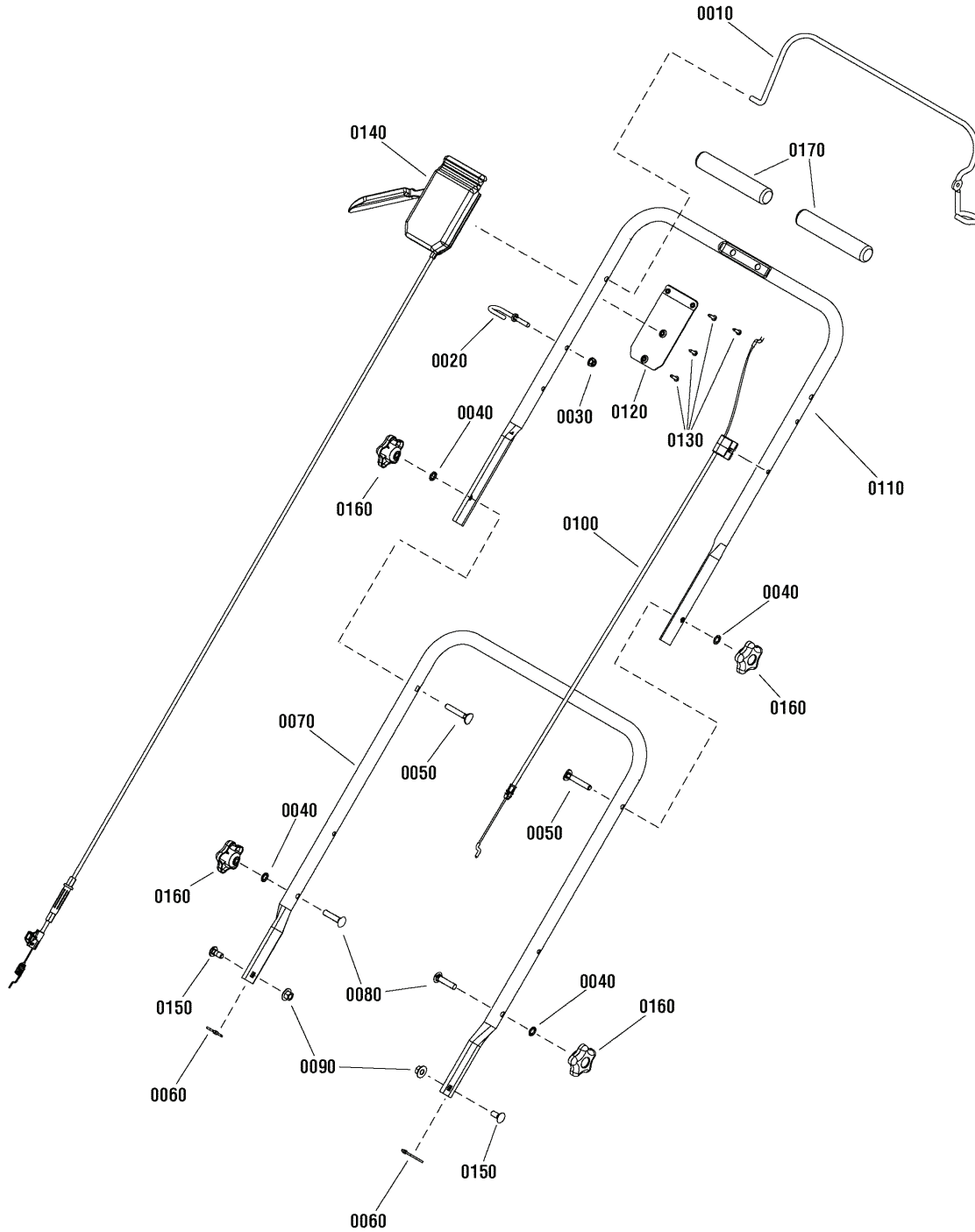
Footnotes

The above parts group applies to the following Mfg. Nos.:

7800883 - BTX22725HW

Handle & Controls Group

NOTE: Unless noted otherwise,
use the standard hardware torque
specification chart.



The above parts group applies to the following Mfg. Nos.:

7800892 - BTSPV22675HWFC

Handle & Controls Group

REF NO	PART NO.	QTY.	DESCRIPTION
0010	7101731AMA	1	BAIL, Operator Presence Control, Propelled, Brute
0020	7028488MA	1	GUIDE, ROPE (1/4-20 thread)
0030	2860694SM	1	NUT, Hex Flange, 1/4-20
0040	7090391SM	4	WASHER, Internal Tooth Lock, 5/16"
0050	7091189YP	2	BOLT, Carriage, Curved Head, 5/16-18 x 2
0060	7024649YP	2	WIRE TIE, 11 Inch Std Blk Nylon
0070	7300592AMA	1	HANDLE, Lower, 21" Rear Discharge
0080	1931337SM	2	BOLT, Carriage, Short Neck, 5/16-18 x 1-1/2, G5
0090	7090951SM	2	NUT, 5/16-18 Hex Large Flange Center Lock
0100	7101395YP	1	CABLE, Bail, 22" Walk-Behind Mower
0110	7300676AMA	1	HANDLE, Upper, Brute, Propelled
0120	7300130AMA	1	PLATE, Control Panel
0130	7100225YP	4	SCREW, #8-16 Torxplus Recessed Pan Head, Twin Helix
0140	7103677YP	1	ASSEMBLY, Control Box, Variable Speed
0150	340720MA	2	BOLT, Carriage 5/16-18 x .75
0160	7105085YP	4	KNOB, Handle
0170	7102999YP	2	FOAM GRIP

Not for
Reproduction

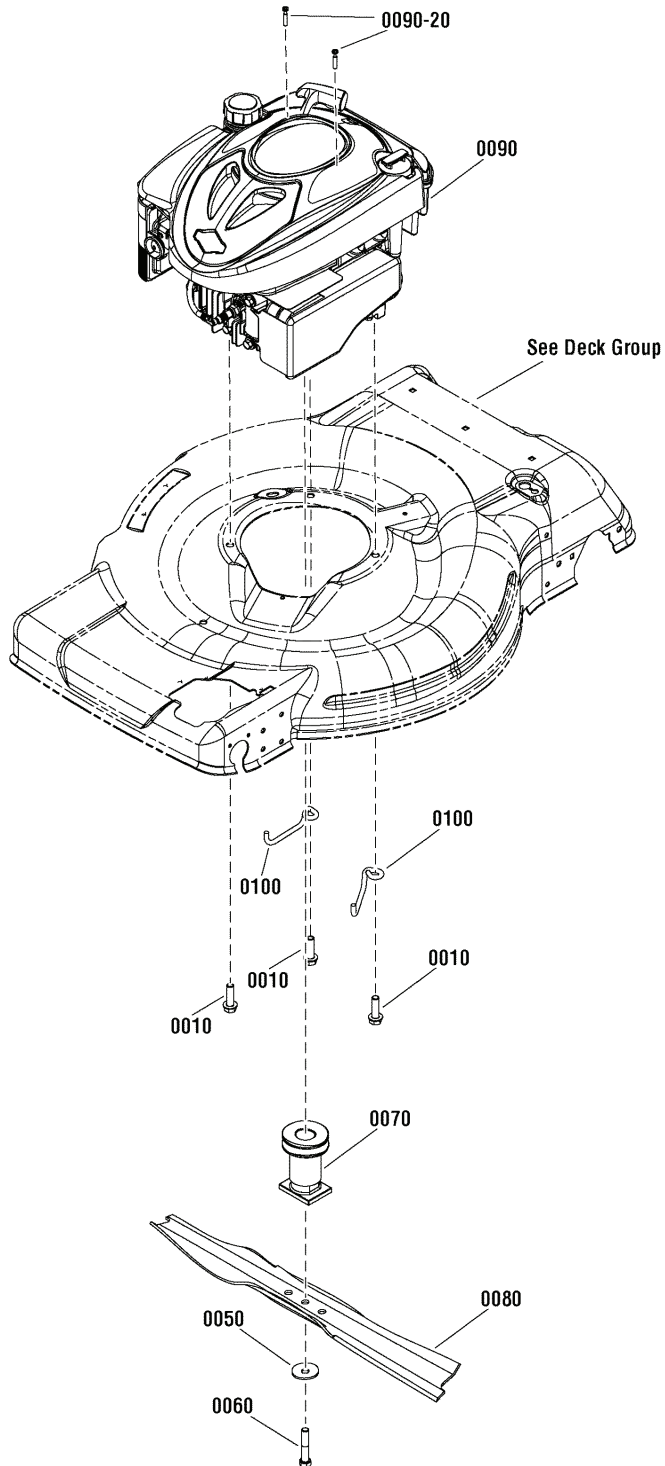
Footnotes

The above parts group applies to the following Mfg. Nos.:

7800892 - BTSPV22675HWFC

Engine Group

NOTE: Unless noted otherwise,
use the standard hardware torque
specification chart.



The above parts group applies to the following Mfg. Nos.:

7800883 - BTX22725HW

Engine Group

REF NO	PART NO.	QTY.	DESCRIPTION
0010	7900072YP	3	SCREW, Hex Washer Self Tap, 3/8-16 x 1-1/4
0050	7012063SM	1	WASHER, Cone
0060	7090167SM	1	CAPSCREW, Hex Head, 3/8-16 x 2, GR 5
0070	7105154YP	1	HUB & PULLEY ASSEMBLY
0080	7103288YP	1	BLADE, Wave, Steel Deck
0090	128M02-115-F1	1	* ENGINE, 7.25TP Briggs & Stratton (Engine Model: 128M02-0115-F1)
0090-20	691138	2	SCREW, Pan HD Cross Recess, Tapping
0100	7103517YP	2	BELT GUIDE, Engine, Front Wheel Drive

Not for
Reproduction

Footnotes

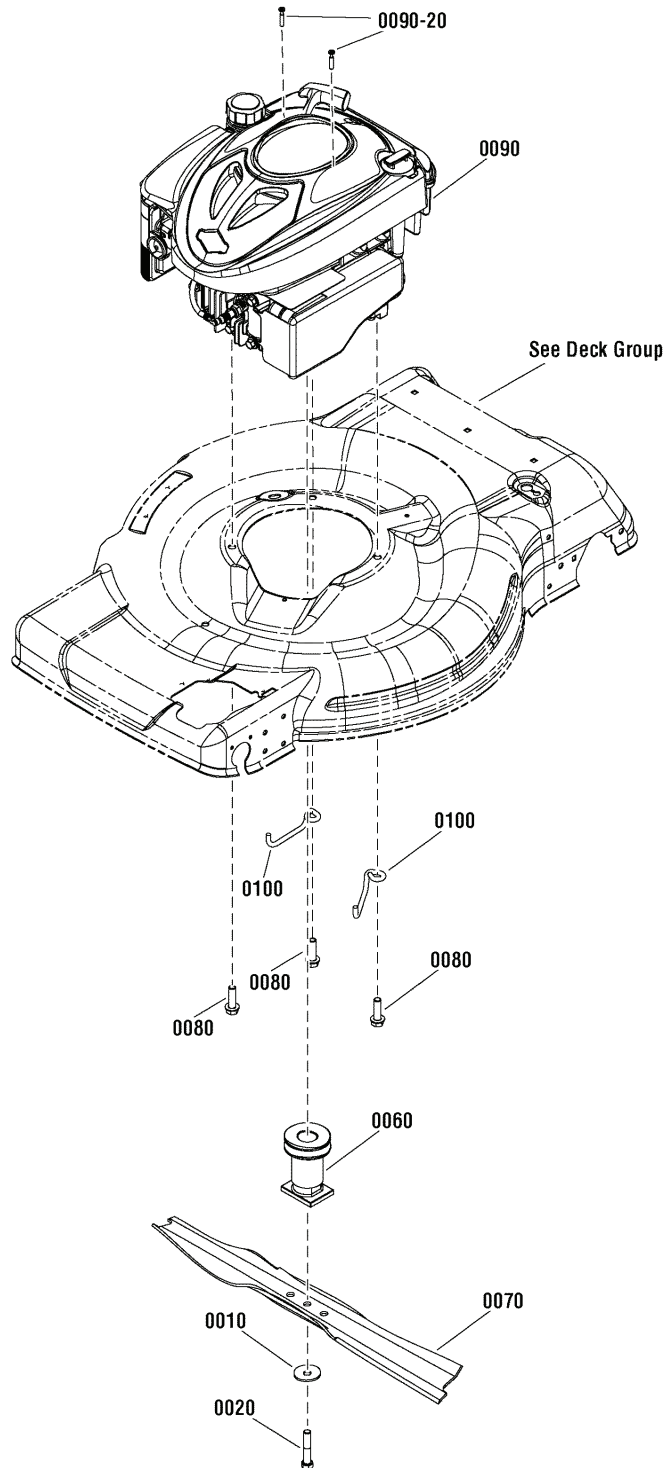
Note* To verify your specific engine model, please reference the ID Tag located on your engine. See your local Briggs & Stratton distributor for parts and service.

The above parts group applies to the following Mfg. Nos.:

7800883 - BTX22725HW

Engine Group

NOTE: Unless noted otherwise,
use the standard hardware torque
specification chart.



The above parts group applies to the following Mfg. Nos.:

7800892 - BTSPV22675HWFC

Engine Group

REF NO	PART NO.	QTY.	DESCRIPTION
0010	7012063SM	1	WASHER, Cone
0020	7090167SM	1	CAPSCREW, Hex Head, 3/8-16 x 2, GR 5
0060	7105154YP	1	HUB & PULLEY ASSEMBLY
0070	7103288YP	1	BLADE, Wave, Steel Deck
0080	7900072YP	3	SCREW, Hex Washer Self Tap, 3/8-16 x 1-1/4
0090	126M02-0675-F3	1	* ENGINE, 6.75TP Briggs & Stratton (Engine Model: 126M02-0675-F3)
0090-20	691138	2	SCREW, Pan HD Cross Recess, Tapping
0100	7103517YP	2	BELT GUIDE, Engine, Front Wheel Drive

Not for
Reproduction

Footnotes

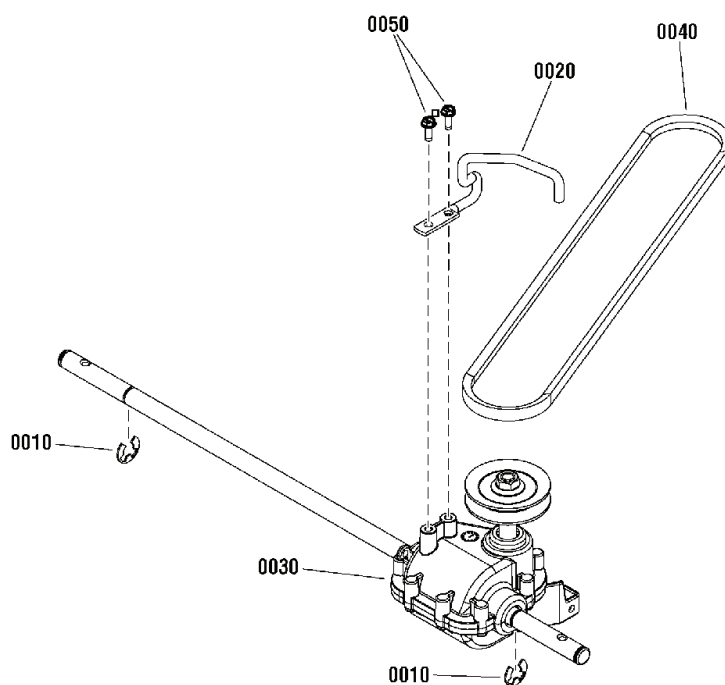
Note* To verify your specific engine model, please reference the ID Tag located on your engine. See your local Briggs & Stratton distributor for parts and service.

The above parts group applies to the following Mfg. Nos.:

7800892 - BTSPV22675HWFC

Transmission Group, Front Wheel Drive

NOTE: Unless noted otherwise,
use the standard hardware torque
specification chart.



The above parts group applies to the following Mfg. Nos.:

7800883 - BTX22725HW

7800892 - BTSPV22675HWFC

Transmission Group, Front Wheel Drive

REF NO	PART NO.	QTY.	DESCRIPTION
0010	7014341YP	2	RETAINING RING, 1/4" (Waldes No. 5133-50 or equivalent)
0020	7103304YP	1	BELT GUIDE, Front Wheel Drive
0030	7103311YP	1	TRANSMISSION, VS, FWD
0040	7103362YP	1	* BELT, 3L, Traction Drive, 22" WBM, FWD (32.40 Effective Length)
0050	7900055YP	2	SCREW, #10-14 x 1/2" Hex Washer Self-Tap, Plastite

Not for
Reproduction

Footnotes

NOTE: * Part Number is stamped on belt.

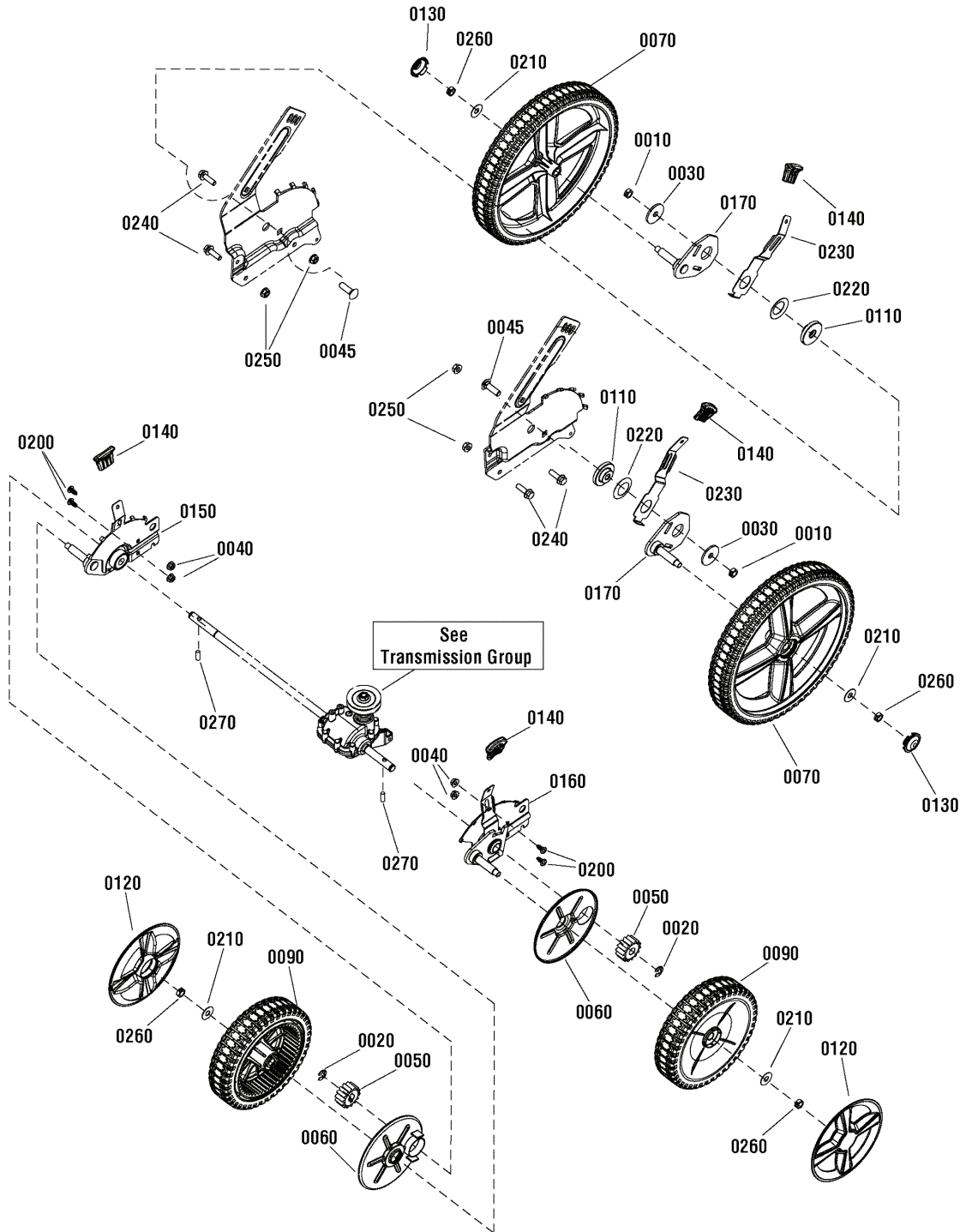
The above parts group applies to the following Mfg. Nos.:

7800883 - BTX22725HW

7800892 - BTSPV22675HWFC

Wheels Group

NOTE: Unless noted otherwise,
use the standard hardware torque
specification chart.



The above parts group applies to the following Mfg. Nos.:

7800883 - BTX22725HW

7800892 - BTSPV22675HWFC

Wheels Group

REF NO	PART NO.	QTY.	DESCRIPTION
0010	1960251SM	2	NUT, Hex Centerlock Jam, 3/8-16
0020	7014341YP	2	RING, External Retaining
0030	7091331SM	2	WASHER, 13/32 x 1-1/2" x .120 Flat, YZ
0040	7091584SM	4	NUT, 1/4-20 Hex Flange Lock, GR 5
0045	7091790YP	2	BOLT, Carriage, 3/8-16 x 1-1/4, GR5
0050	7101207YP	2	GEAR, Pinion, 22" WBM, Front Wheel Drive
0060	7101402YP	2	SHIELD, Dust, 22" WBM, Front Wheel Drive
0070	7101708MA	2	WHEEL, 12" x 2" Idle, w/Db Tread, Brute Yellow
0090	7103500YP	2	WHEEL, 8" X 2" Idle w/Db Tread, Brute, Satin Black
0110	7103511YP	2	BUSHING, Pivot, Hi-Wheel, Rear
0120	7103539YP	2	HUBCAP, 8" & 9" Wheel Spoked, P-391 St Yellow
0130	7103540YP	2	HUBCAP, 12" Rim Yellow
0140	7103542YP	4	GRIP, Height Latch, P-391-St, Yellow
0150	7600104YP	1	ASSEMBLY, Height-Of-Cut, RF, 22" WBM, Propelled
0160	7600105YP	1	ASSEMBLY, Height-Of-Cut, LF, 22" WBM, Propelled
0170	7501639YP	2	ASSEMBLY, Wheel Bracket, Rear, High-Wheel (staked)
0200	7900067YP	4	SCREW, Pan Head, Self Tap, Torx, 1/4-20 x 1/2
0210	17X169MA	4	WASHER, Flat, 3/8
0220	17X178MA	2	WASHER, 1" ID x 1.64 OD Bellville
0230	7103301YP	2	LEVER, Front, Height-Of-Cut, 22"
0240	7091591SM	4	BOLT, 5/16-18 x 1" Hex Flange Lock, GR 5, YZ
0250	7091601SM	4	NUT, 5/16-18 Hex Flange lock, YZ
0260	7091585SM	4	NUT, Center Lock Hex, 3/8-16, GR 5
0270	7101270YP	2	DRIVE PIN, 22" WBM, Front Wheel Drive

Footnotes

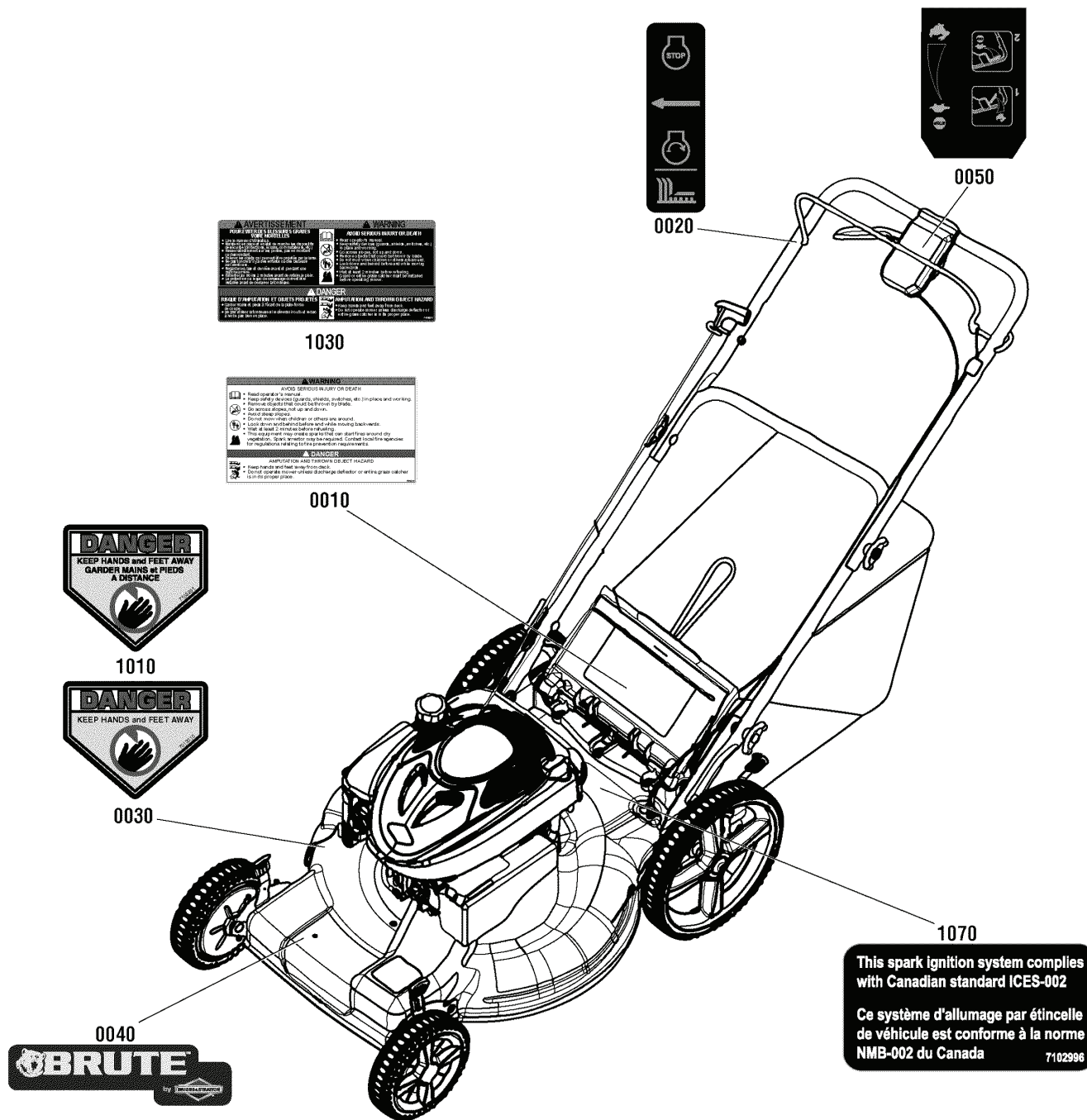
The above parts group applies to the following Mfg. Nos.:

7800883 - BTX22725HW

7800892 - BTSPV22675HWFC

Decals Group

NOTE: Unless noted otherwise, use the standard hardware torque specification chart.



The above parts group applies to the following Mfg. Nos.:
 7800883 - BTX22725HW
 7800892 - BTSPV22675HWFC

Decals Group

REF NO	PART NO.	QTY.	DESCRIPTION
0010	7105219YP	1	DECAL, Warning, Walk-Behind Mower
0020	7029782MA	1	DECAL, OPC Bail International Symbol
0030	7013010SM	1	DECAL, Danger, Cut Finger
0040	7103545YP	1	DECAL, Brute Walk-Behind Mower
0050	7105307YP	1	DECAL, Control Head
1010	7105261YP	1	DECAL, CPSC, FR / ENG (Export Only)
1030	7101671YP	1	DECAL, WB Safety, French/English (Export Only)
1070	7102996YP	1	DECAL, ICES, Canadian Spark Compliance (Export Only)

Not for
Reproduction

Footnotes

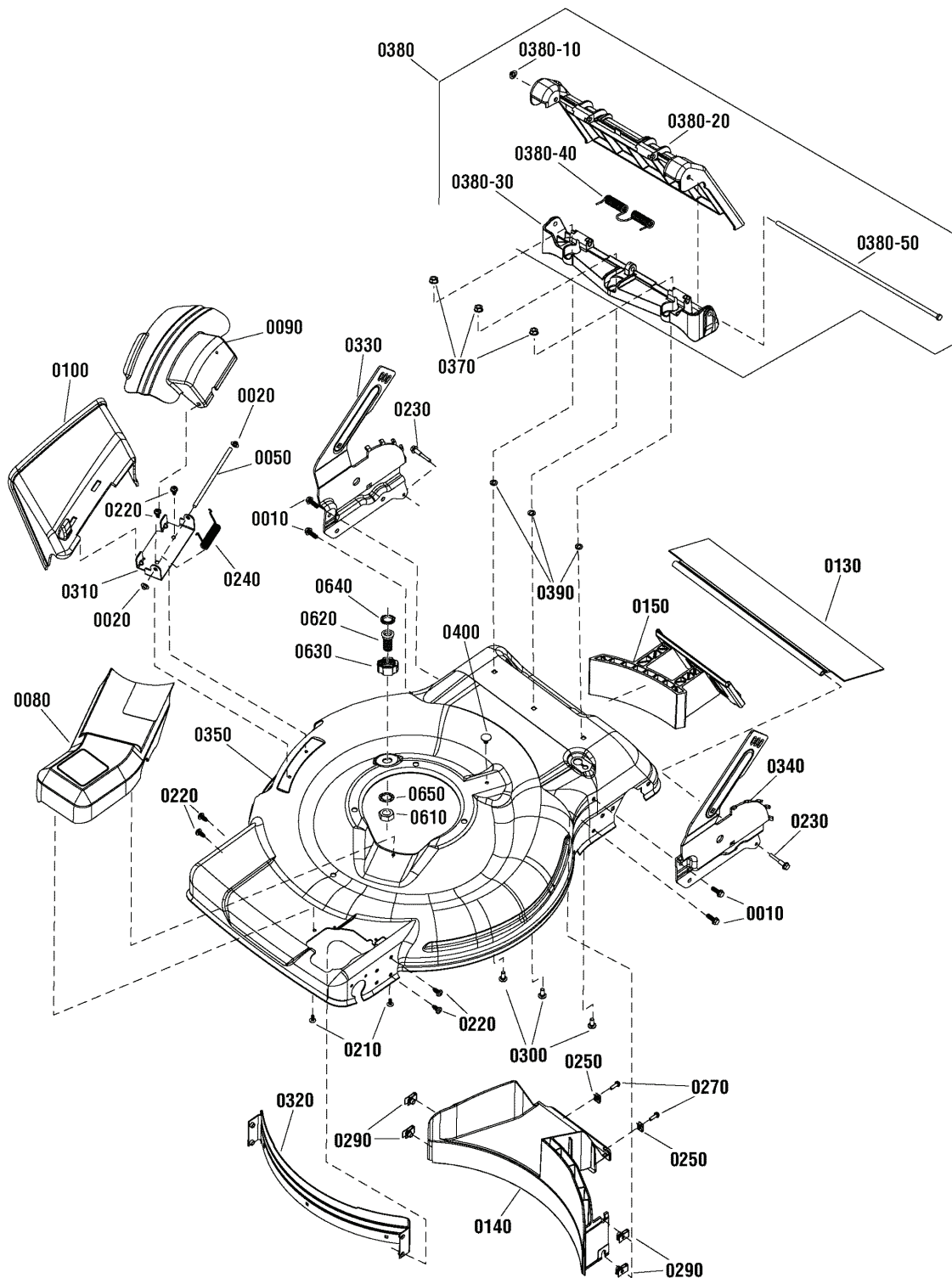
The above parts group applies to the following Mfg. Nos.:

7800883 - BTX22725HW

7800892 - BTSPV22675HWFC

Deck Group

NOTE: Unless noted otherwise,
use the standard hardware torque
specification chart.



The above parts group applies to the following Mfg. Nos.:

7800883 - BTX22725HW

7800892 - BTSPV22675HWFC

Deck Group

REF NO	PART NO.	QTY.	DESCRIPTION
0010	7090699YP	4	BOLT, 1/4-20 x 3/4" Hex Flange Lock, GR 5
0020	7091020YP	2	PUSHNUT, 1/4"
0050	7101067YP	1	ROD, Pivot
0080	7600108YP	1	ASSEMBLY, Belt Cover w/Heat Patch
0090	7103298YP	1	COVER, Mulching
0100	7103299YP	1	CHUTE, Side Discharge, 22" WBM
0130	7103323YP	1	GUARD, Rear 22"
0140	7103452YP	1	BAFFLE, Rear, Front Wheel Drive WBM
0150	7103453YP	1	PLUG, Mulching, 22" Deck
0210	7900018YP	2	SCREW, Hi-Lo, 4.8 x 1.59 x 13mm Round Washer Head
0220	7900067YP	6	SCREW, Pan Head, Self Tap, Torx, 1/4-20 x 1/2
0230	7900073YP	2	BOLT, Drag Shield, 1/4-20 x 1-1/2"
0240	166X38MA	1	SPRING, Torsion
0250	1960593SM	2	SPEED NUT, #10-24 Retainer with Extrusion
0270	7091075SM	2	SCREW, Hex Washer Self Tap, #10C x 5/8, GR 5
0290	7023295SM	4	U-NUT, 1/4-20
0300	7090803YP	3	BOLT, 1/4-20 x 5/8" Flat Head Square Neck, GR 5
0310	7300855BMYP	1	BRACKET, Chute
0320	7301020YP	1	BAFFLE, Front
0330	7301090AYP	1	BRACKET, Lower Handle, RH, Hi-Wheel
0340	7301091AYP	1	BRACKET, Lower Handle, LH, Hi-Wheel
0350	7301111ZYP	1	DECK, 22", Front Wheel Drive, Washout
0370	15X143MA	3	NUT, Flange Lock, 1/4-20
0380	7501541YP	1	DOOR ASSEMBLY, Rear (Incl. Ref. Nos. 0380-10, 0380-20, 0380-30, 0380-40, & 0380-50)
0380-10	7091020YP	1	NUT, Push, 1/4 (Included with Ref. No. 0380)
0380-20	7103291YP	1	DOOR, Rear Discharge (Included with Ref. No. 0380)
0380-30	7103292YP	1	HINGE, Door (Included with Ref. No. 0380)
0380-40	7103309YP	1	SPRING, Torsion, Rear Door (Included with Ref. No. 0380)
0380-50	7103322YP	1	ROD, Pivot, Rear Door (Included with Ref. No. 0380)
0390	1960518SM	3	RETAINER, 1/4" Bolt
0400	0193X1MA	1	FASTENER, Panel
--	-----	1	WASHOUT PORT ASSEMBLY
0610	1960716SM	1	NUT, 5/8-11 NC-2B Hex Jam
0620	7103804YP	1	ADAPTOR, Washout Port, WBM
0630	7103919YP	1	COUPLING, Hose
0640	7103957YP	1	WASHER, Hose
0650	7090880YP	1	WASHER, Internal Tooth, 5/8

Footnotes

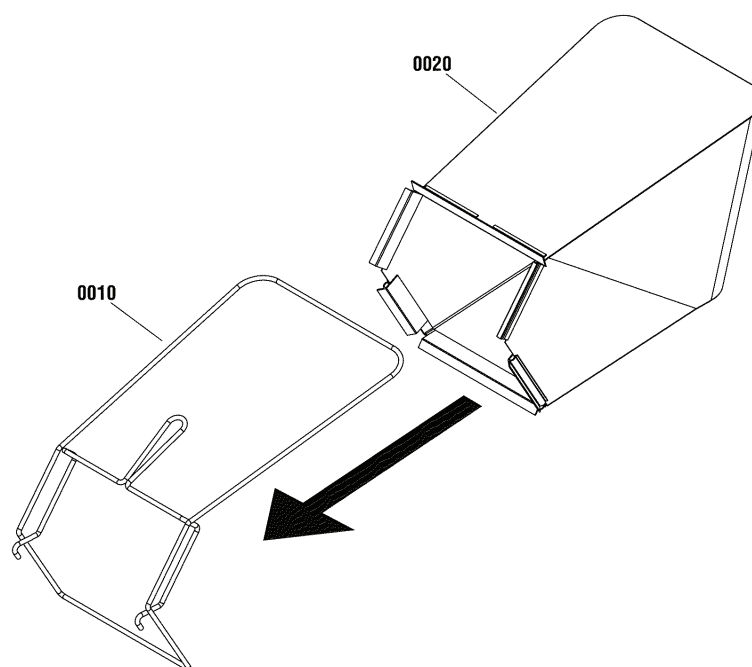
The above parts group applies to the following Mfg. Nos.:

7800883 - BTX22725HW

7800892 - BTSPV22675HWFC

Grass Catcher

NOTE: Unless noted otherwise,
use the standard hardware torque
specification chart.



The above parts group applies to the following Mfg. Nos.:

7800883 - BTX22725HW

7800892 - BTSPV22675HWFC

Grass Catcher

REF NO	PART NO.	QTY.	DESCRIPTION
0010	7103305AYP	1	FRAME, Grass Bag, Rear Discharge
0020	7103375YP	1	GRASS BAG, 22" Rear Discharge

Not for
Reproduction

Footnotes

The above parts group applies to the following Mfg. Nos.:

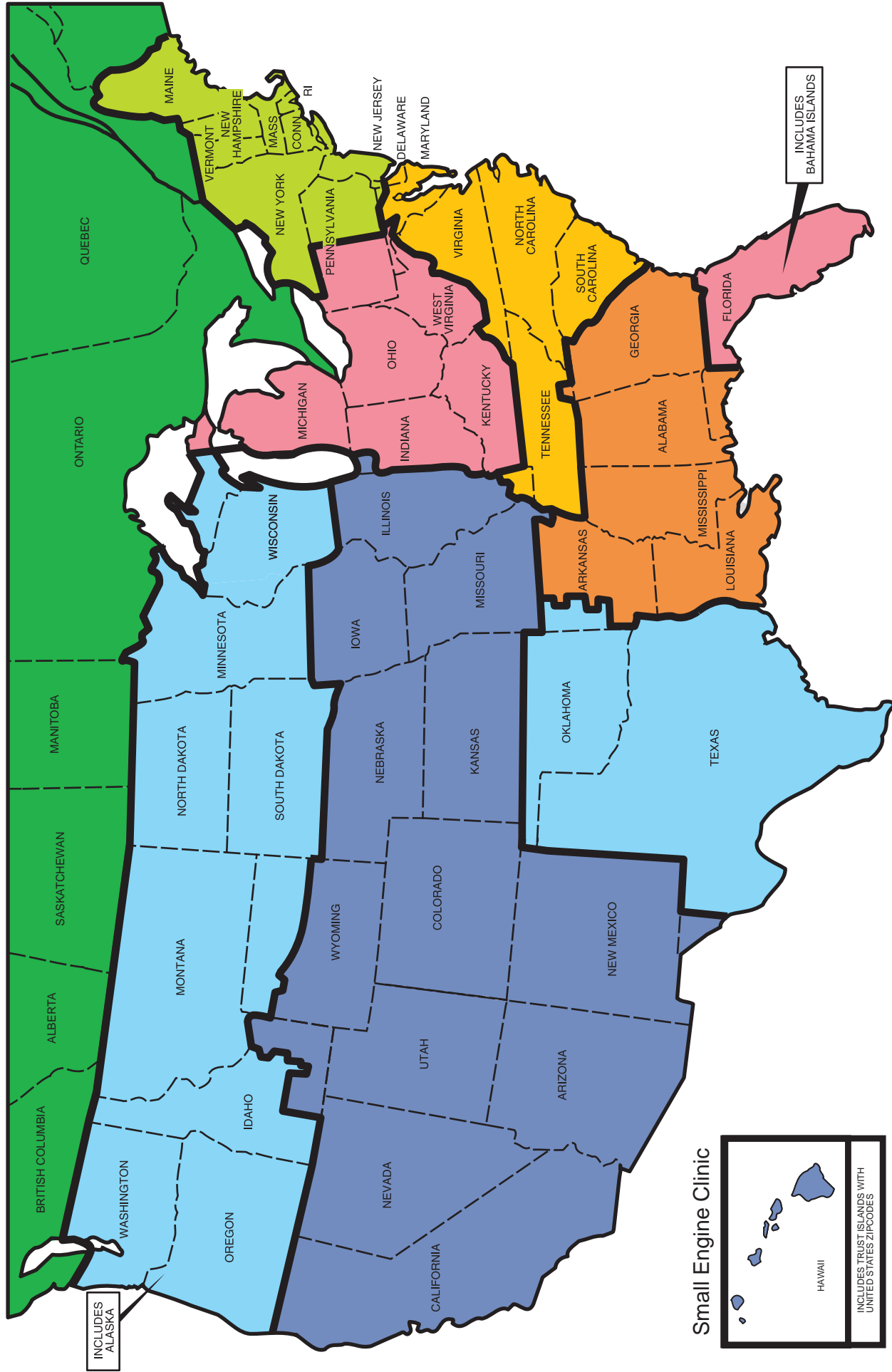
7800883 - BTX22725HW

7800892 - BTSPV22675HWFC

Not for
Reproduction

Not for
Reproduction

IDN Network



Small Engine Clinic



- Magneto Power (800) 733-7388
- MWE (800) 683-8484
- Preferred Power (800) 331-7164
- Power Source Canada (905) 829-0006
- Atlantic Power (800) 456-5692
- Central Power (800) 444-7774
- SEDCO (800) 346-4260

Briggs & Stratton Corporation
INTEGRATED DISTRIBUTOR NETWORK

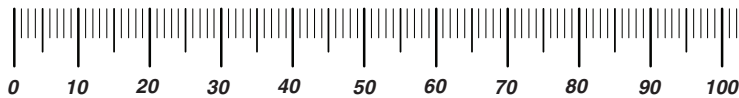
Midwest Engines	700 Enterprise Rd Aurora, IL 60504	www.mwe.net	(800) 683-8484
Central Power Systems	3700 Paragon Dr Columbus, OH 43228	www.centralpower.com	(800) 444-7774
Atlantic Power	20 Empire Stat Rd Castleton, NY 12033	www.atlanticpowerinc.com	(800) 456-5692
Preferred Power Inc	6509-A Northpark Blvd Charlotte, NC 28216	www.centralpower.com	(800) 331-7164
Central Power Systems	3700 Paragon Dr Columbus, OH 43228	www.centralpower.com	(800) 444-7774
Magneto Power LLC	1000 W. Donges Bay Rd Suite 100 Mequon, WI 53092	www.magnetopower.com	(800) 733-7388
Sedco, Inc	225 Henry D. Robinson Blvd Pendergrass, GA 30567	www.sedcoinc.com	(800) 346-4260
Power Source Canada, LTD	2815 Bristol Circle, Unit 1 Oakville, ON L6H 6X5	www.powersourcecanada.ca	(905) 829-0006

Not for
Reproduction

Hardware Identification & Torque Specifications

Torque Specification Chart								
FOR STANDARD METRIC MACHINE HARDWARE (Tolerance ± 20%)								
Property Class	5.6		8.8		10.9		12.9	
	Class 5.6		Class 8.8		Class 10.9		Class 12.9	
Size Of Hardware	in/lbs		in/lbs		in/lbs		in/lbs	
	ft/lbs	Nm.	ft/lbs	Nm.	ft/lbs	Nm.	ft/lbs	Nm.
M3	5.88	.56	13.44	1.28	19.2	1.80	22.92	2.15
M4	13.44	1.28	30.72	2.90	43.44	4.10	52.56	4.95
M5	26.4	2.50	60.96	5.75	5.97	8.10	7.15	9.7
M6	44.64	4.3	7.3	9.9	10.3	14	12.1	16.5
M7	5.2	7.1	12.1	16.5	16.9	23	19.9	27
M8	7.7	10.5	17.7	24	25	34	29	40
M10	15	21	35	48	50	67	59	81
M12	26	36	61	83	86.2	117	103	140
M14	42	58	101	132	136	185	162	220
M16	64	88	147	200	210	285	250	340
M18	89	121	202	275	287	390	346	470
M20	126	171	290	390	405	550	486	660
M22	169	230	390	530	559	745	656	890
M24	217	295	497	375	708	960	840	1140
M27	320	435	733	995	1032	1400	1239	1680
M30	435	590	995	1350	1401	1900	1681	2280
M33	590	800	1349	1830	1902	2580	2278	3090
M36	759	1030	1740	2360	2441	3310	2935	3980
M39	988	1340	2249	3050	3163	4290	3798	5150

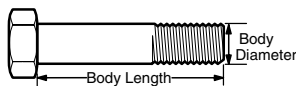
The guides and ruler furnished below are designed to help you select the appropriate hardware.



Nut, M8

Thread Diameter (mm)
Inside Diameter (in)
Threads per inch

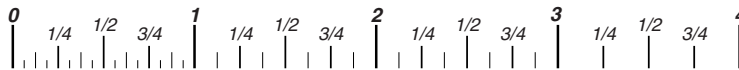
Nut, 1/2-16



Screw, M8- 1.25 x 25

Thread Diameter (mm)
Body Diameter
Distance between threads (mm)
Threads per inch
Body Length (mm)
Body Length (in)

Screw, 1/2- 16 x 2



Standard Hardware Sizing

When a washer or nut is identified as **1/2"** (M8), this is the *Nominal size*, meaning the *inside diameter* is 1/2 inch (8mm metric thread diameter); if a second number is present it represents the *threads per inch* (distance between threads).

When bolt or capscrew is identified as **1/2 - 16 x 2"** (M8 - 1.25 x 50), this means the *Nominal size*, or body diameter is 1/2 inch (8mm metric thread diameter), the second number, 16, represents the *threads per inch*, (1.25 thread diameter). The final number is the body length of the bolt or screw, 2 inches (50mm).

Torque Specification Chart						
FOR STANDARD MACHINE HARDWARE (Tolerance ± 20%)						
Hardware Grade	No Marks		No Marks		No Marks	
	SAE Grade 2		SAE Grade 5		SAE Grade 8	
Size Of Hardware	in/lbs		in/lbs		in/lbs	
	ft/lbs	Nm.	ft/lbs	Nm.	ft/lbs	Nm.
8-32	19	2.1	30	3.4	41	4.6
8-36	20	2.3	31	3.5	43	4.9
10-24	27	3.1	43	4.9	60	6.8
10-32	31	3.5	49	5.5	68	7.7
1/4-20	66	7.6	8	10.9	12	16.3
1/4-28	76	8.6	10	13.6	14	19.0
5/16-18	11	15.0	17	23.1	25	34.0
5/16-24	12	16.3	19	25.8	29	34.0
3/8-16	20	27.2	30	40.8	45	61.2
3/8-24	23	31.3	35	47.6	50	68.0
7/16-14	30	40.8	50	68.0	70	95.2
7/16-20	35	47.6	55	74.8	80	108.8
1/2-13	50	68.0	75	102.0	110	149.6
1/2-20	55	74.8	90	122.4	120	163.2
9/16-12	65	88.4	110	149.6	150	204.0
9/16-18	75	102.0	120	163.2	170	231.2
5/8-11	90	122.4	150	204.0	220	299.2
5/8-18	100	136	180	244.8	240	326.4
3/4-10	160	217.6	260	353.6	386	525.0
3/4-16	180	244.8	300	408.0	420	571.2
7/8-9	140	190.4	400	544.0	600	816.0
7/8-14	155	210.8	440	598.4	660	897.6
1-8	220	299.2	580	788.8	900	1,244.0
1-12	240	326.4	640	870.4	1,000	1,360.0

NOTES

- These torque values are to be used for all hardware excluding: locknuts, self-tapping screws, thread forming screws, sheet metal screws and socket head setscrews.
- Recommended seating torque values for locknuts:
 - for prevailing torque locknuts - use 65% of grade 5 torques.
 - for flange whizlock nuts and screws - use 135% of grade 5 torques.
- Unless otherwise noted on assembly drawings, all torque values must meet this specification.

Common Hardware Types

Hex Head Capscrew



Washer



Lockwasher

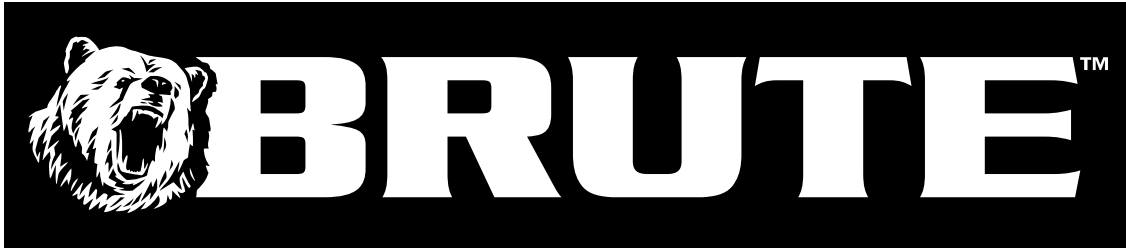
Carriage Bolt



Hex Nut

Wrench & Fastener Size Guide

1/4" Bolt or Nut Wrench—7/16"	5/16" Bolt or Nut Wrench—1/2"	3/8" Bolt or Nut Wrench—9/16"	7/16" Bolt or Nut Wrench (Bolt)—5/8" Wrench (Nut)—11/16"	1/2" Bolt or Nut Wrench—3/4"
M6 Bolt or Nut Wrench—10mm	M8 Bolt or Nut Wrench—13mm	M10 Bolt or Nut Wrench—17mm	M12 Bolt or Nut Wrench—19mm	M14 Bolt or Nut Wrench—22mm



Not for
Reproduction

**IT IS THE POLICY OF BRIGGS & STRATTON CORP. TO IMPROVE ITS PRODUCTS
WHENEVER IT IS POSSIBLE AND PRACTICAL TO DO SO. WE RESERVE THE RIGHT TO
MAKE CHANGES OR ADD IMPROVEMENTS AT ANY TIME WITHOUT INCURRING ANY
OBLIGATION TO MAKE SUCH CHANGES ON PRODUCTS.**

BRUTE™ is a trademark of Briggs & Stratton Power Products.

Copyright© 2011 Briggs & Stratton Power Products Group. All rights reserved. No part of this page can be reproduced or transmitted in any form by any means without the express written permission of Briggs & Stratton Power Products Group.

Briggs & Stratton Power Products Group

12301 W. Wirth Street
Wauwatosa, WI, 53222 USA

www.brutepower.com

© Copyright 2012 by Briggs & Stratton Corporation
Milwaukee, WI, USA. All rights reserved