

READ THIS FIRST



Models G0446, G0539,
& G0571

IMPORTANT UPDATE

For Machines Mfd. Since January, 2014
and Owner's Manual Revised May, 2005

For questions or help with this product contact Tech Support at (570) 546-9663 or techsupport@grizzly.com

The following changes were made to this machine since the owner's manual was printed:

- Obtained CSA certification meeting CSA C22.2 #105-1953 and UL 987-7th standards.
- Changed transformer, contactors, overload relays, terminal blocks, and wiring.
- Changed circuit requirements.
- Replaced oscillation diaphragm assembly with an air cylinder.

Note: At the top of each page is a note that indicates which page it replaces in the original manual. On the parts list, the new parts are designated with a "V2" or "V3".

Aside from this information, all other content in the owner's manual applies and **MUST** be read and understood for your own safety. **IMPORTANT: Keep this update with the owner's manual for future reference.** For questions or help, contact our Tech Support at (570) 546-9663 or techsupport@grizzly.com.

Electrical Parts List (Replaces Page 47)

REF	PART #	DESCRIPTION
1	P05398101	ELECTRICAL CONTROL BOX
2	P05398102	HINGE
3	P05398103	DOOR
4	P05398104	BASE PLATE
5	PN05	HEX NUT 1/4-20
6	PLW02	LOCK WASHER 1/4
7	P05398107	CONTROL PANEL
8	PS07M	PHLP HD SCR M4-.7 X 8
9	P0539009	CURRENT SENSOR
10V2	P0539010V2	TRANSFORMER V2.03.10 (G0539/G0446)
11V2	P0571011V2	CONTACTOR SCHN LC1D50A V2.09.10 (G0571)
11V2	P0539011V2	CONTACTOR SCHN LC1D40A V2.09.10 (G0539/G0446)
12V3	P0539012V3	OL RELAY SCHN LRD340 30-40A V3.04.13 (G0539/G0446)
13V2	P0539013V2	FUSE 4A V2.03.10
14	P05718114	OL RELAY SCHN LR3D12 5.5-8A (G0571)
14	P05398114	OL RELAY SCHN LR3D08 2.5-4A (G0539/G0446)

REF	PART #	DESCRIPTION
15	P05398115	CONTACTOR SCHN LC1D09 220V
15-1	P05398115-1	CONTACTOR 2-PC ASSY LC1D09
16V2	P0571016V2	POWER TERMINAL BLOCK (G0571)
16V2	P05398116V2	POWER TERMINAL BLOCK (G0539/G0446)
18V2	P0571018V2	TERMINAL BLOCK (G0571)
18V2	P05398118V2	TERMINAL BLOCK (G0539/G0446)
19	PW06	FLAT WASHER 1/4
20	PLW02	LOCK WASHER 1/4
21	PS04	PHLP HD SCR 1/4-20 X 1/2
22	P05398122	PU CONNECTOR 1/2
23	P05398123	PU CONNECTOR 3/4
24	P05398124	CABLE CONNECTOR 1"
26	P05398126A	DIGITAL AMP METER
27	P05398128-1	START SWITCH
28	P05398128-2	START SWITCH
29	P05398129-1	STOP SWITCH
30	P05398129-2	STOP SWITCH
31	P05398131	EMERGENCY STOP SWITCH
32	P05398132	WIRE COLUMN
33	P05398133	COMPUTER
38	P05398130	POWER INDICATION LIGHT
39	P9983627	OL RELAY SCHN LT47 5-60A (G0571)

G0446 & G0539 440V CONVERSION PARTS

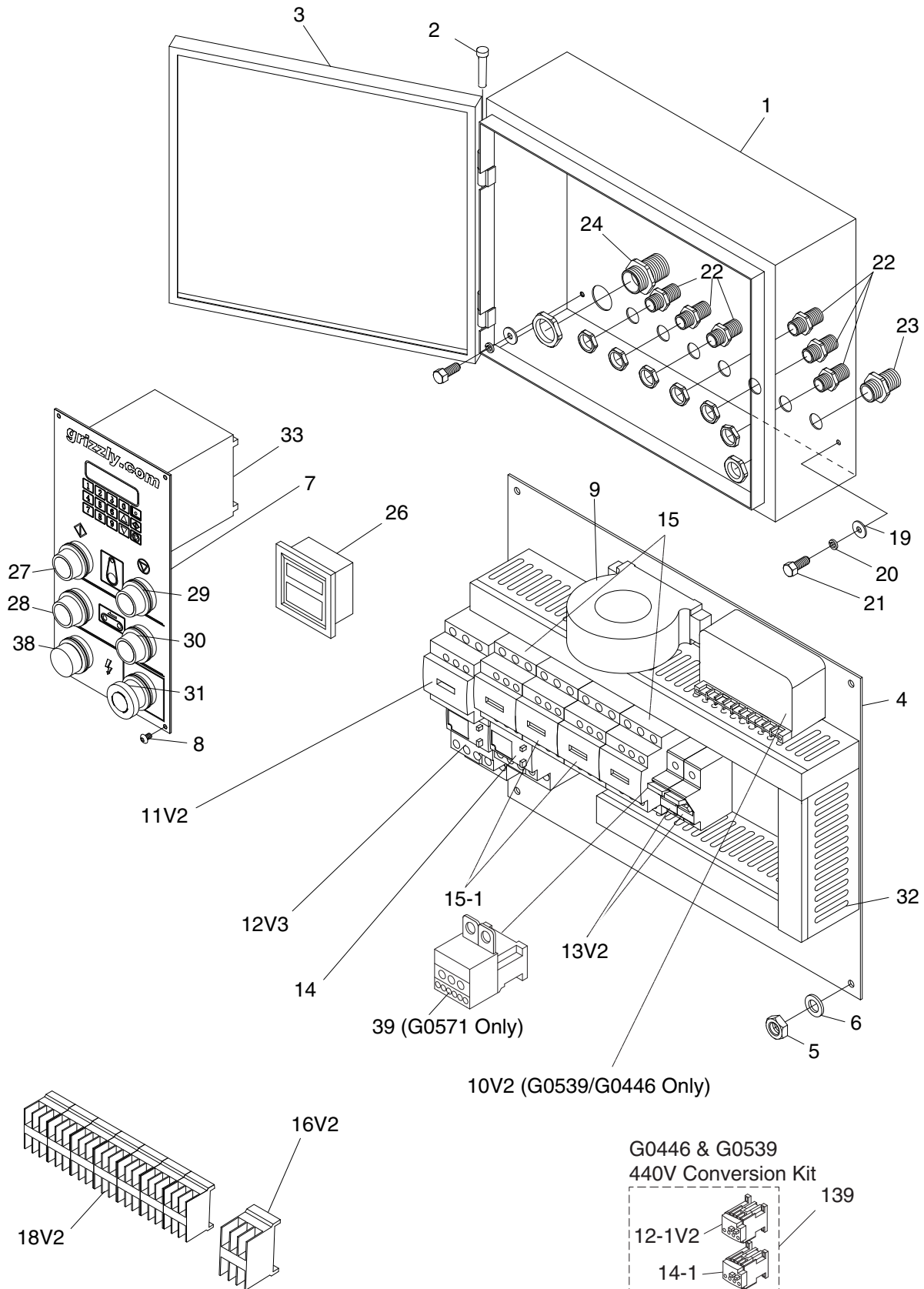
139	P0539139	440V CONVERSION KIT
12-1V2	P0539012-1V2	OL RELAY SCHN LR3D325 17-25A V2.09.10
14-1	P0539014-1	OL RELAY SCHN LR3D07 1.6-2.5A



COPYRIGHT © APRIL, 2010 BY GRIZZLY INDUSTRIAL, INC., REVISED MAY, 2014 (TS)
**WARNING: NO PORTION OF THIS MANUAL MAY BE REPRODUCED IN ANY SHAPE
OR FORM WITHOUT THE WRITTEN APPROVAL OF GRIZZLY INDUSTRIAL, INC.**
#TR12813 PRINTED IN TAIWAN

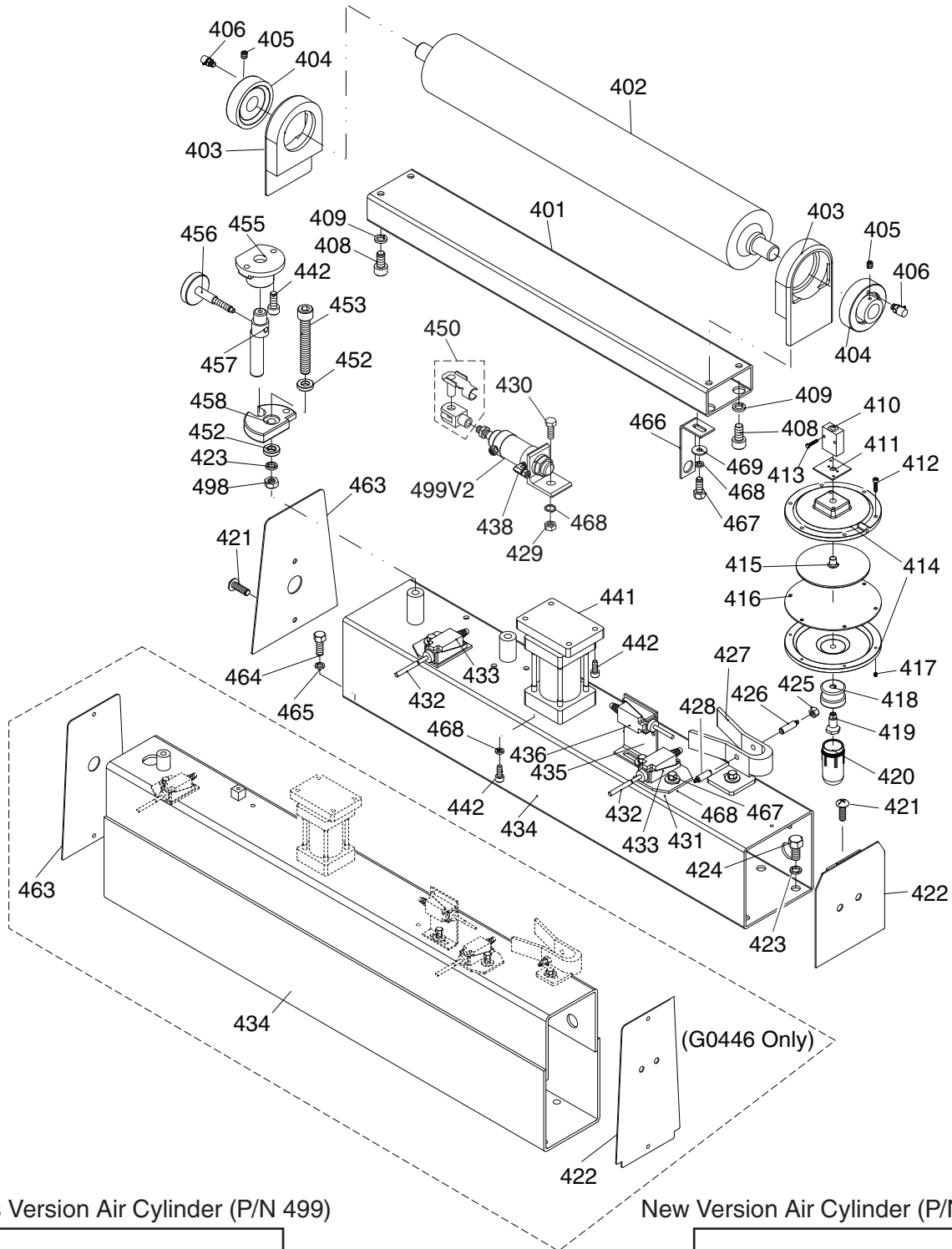
Replaces Page 46

Main Electrical Panel and Controls Diagram

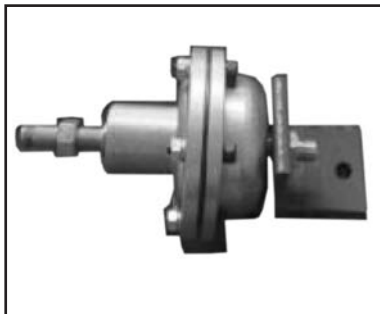


Replaces Page 54

Upper Roller System Diagram



Previous Version Air Cylinder (P/N 499)



New Version Air Cylinder (P/N 499V2)



Replaces Page 55

Upper Roller System Parts List

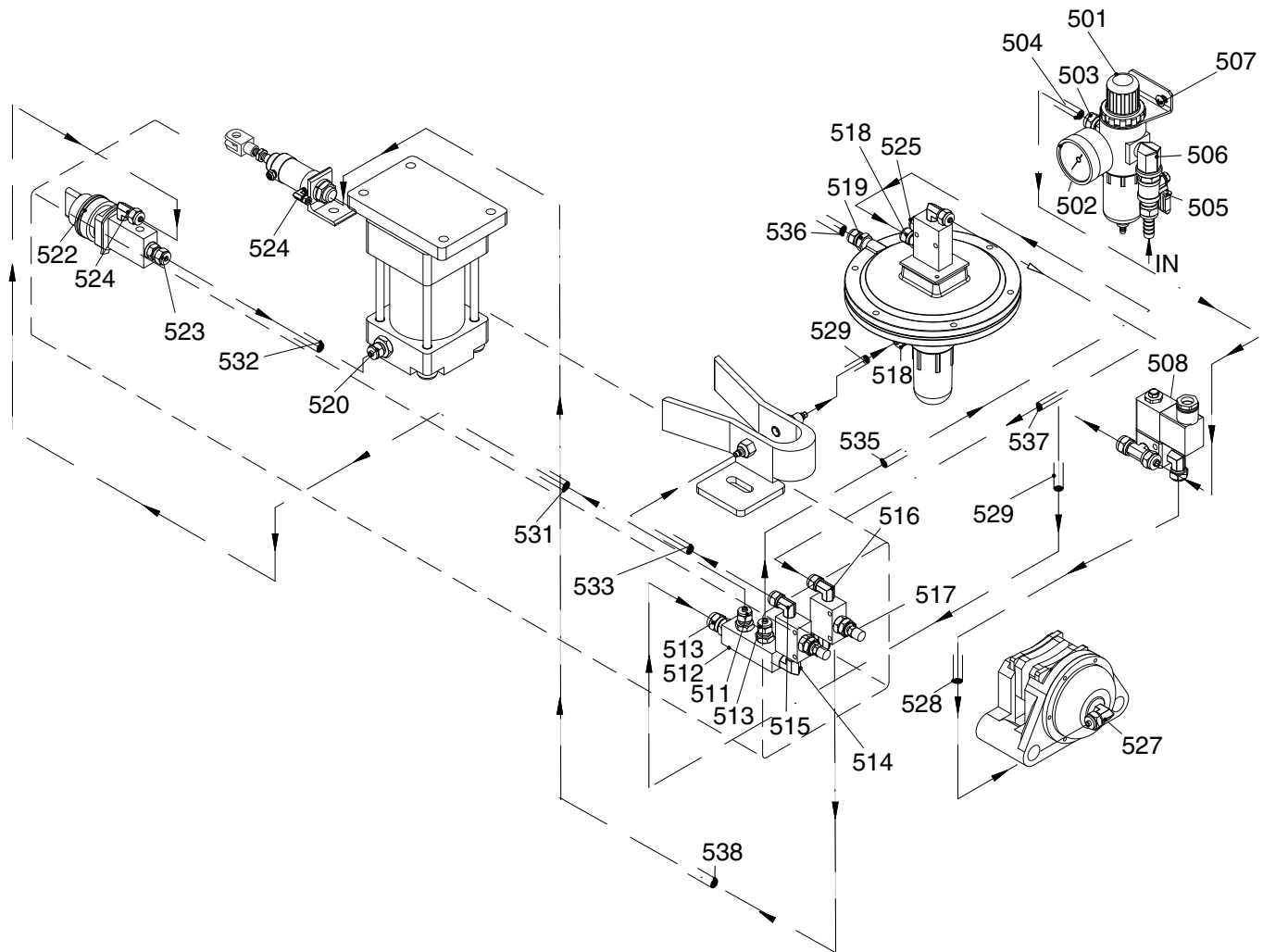
REF	PART #	DESCRIPTION
401	P0539401	ROLLER BRACKET (UPPER)
402	P0539402	ROLLER (UPPER)
403	P0539403	ROLLER END BRACKET (UPPER)
404	P0539404	BEARING UCC205
405	P0539405	SET SCREW M6-1 X 6
406	P0539406	GREASE FITTING W/ DUST CAP
408	P0539408	CAP SCREW 3/8-16 X 3/4
409	P0539409	LOCK WASHER 3/8
410	P0539410	THROTTLE VALVE
411	P0539411	THROTTLE VALVE BASE
412	P0539412	CAP SCREW 10-24 x 3/4
413	P0539413	PHLP HD SCR M4-.7 X 20
414	P0539414	ALUMINUM DISC
415	P0539415	ALUMINUM PLATE
416	P0539416	PLATE
417	P0539417	HEX NUT 10-24
418	P0539418	OIL CAP CONNECTOR
419	P0539419	SHAFT OF OIL CAP
420	P0539420	OIL CAP
421	P0539421	PHLP HD SCR 1/4-20 X 1/2
422	P0539422	FRAME SEAL (RH) (G0539/G0446)
422	P0446422	FRAME SEAL (RH) (G0446)
423	P0539423	LOCK WASHER 1/2
424	P0539424	HEX BOLT 1/2-12 X 1
425	P0539425	HEX NUT 3/8-24
426	P0539426	AIR NOZZLE (FEMALE)
427	P0539427	AIR CYLINDER BRACKET
428	P0539428	AIR RECEIVER (MALE)
429	P0539429	HEX NUT 5/16-18

REF	PART #	DESCRIPTION
430	P0539430	HEX BOLT 5/16-18 X 1-1/2
431	P0539431	LIMIT SWITCH HOLDER
432	P0539432	LIMIT SWITCH TUBE
433	P0539433	LIMIT SWITCH W/CERAMIC TIP
434	P0446434	SQUARE FRAME (G0446)
434	P0539434	SQUARE FRAME (G0539/G0446)
435	P0539435	HOLDER (L-TYPE)
436	P0539436	LIMIT SWITCH W/PLASTIC ROD
438	P0539524	CONNECTOR 1/4N X 1/8T X 90 DEG
441	P0539441	AIR CYLINDER
442	P0539442	CAP SCREW 5/16-18 X 3/4
450	P0539450	UNIVERSAL JOINT FORK ASSY
452	P0539452	FLAT WASHER 1/2
453	P0539453	CAP SCREW 1/2-12 X 3-1/2
455	P0539455	FRAME
456	P0539456	TRIMMING SCREW
457	P0539457	ECCENTRIC ROD
458	P0539458	ECCENTRIC PIECE
463	P0446463	FRAME SEAL (LH) (G0446)
463	P0539463	FRAME SEAL (LH) (G0539 & G0571)
464	P0539464	HEX BOLT 3/8-16 X 1
465	P0539465	LOCK WASHER 3/8
466	P05396128	POWER OFF PLATE
467	P0539467	HEX BOLT 5/16-18 X 3/4
468	P0539468	LOCK WASHER 5/16
469	P0539469	FLAT WASHER 5/16
498	P0539498	HEX NUT 1/2-12
499V2	P0539499V2	OSCILLATION AIR CYLINDER V2.01.14



Replaces Page 56 & 57

Belt Oscillation System



REF	PART #	DESCRIPTION
501	P0539501	PRESSURE REGULATOR
502	P0539502	PSI GAUGE
503	P0539503	CONNECTOR, BRONZE
504	P0539504	FLEXIBLE HOSE 8MM
505	P0539505	AIR SWITCH
506	P0539506	ELBOW
507	PS22	PHLP HD SCR 10-24 x 5/8
508	P0539508	SOLENOID VALVE
511	P0539511	CONNECTOR, BRONZE
512	P0539512	AIR MANIFOLD
513	P0539513	CONNECTOR, BRONZE
514	P0539514	ELBOW 1/4T X 1/8T X 90°, BRONZE
515	P0539515	CONNECTOR 1/4N X 1/8T X 90°
516	P0539516	CONNECTOR 1/4N X 1/8T X 90°
517	P0539517	NEEDLE VALVE
518	P0539518	CONNECTOR, BRONZE

REF	PART #	DESCRIPTION
519	P0539519	ELBOW, BRONZE
520	P0539520	CONNECTOR 1/4N X 3/8T
522	P0539522	AIR SWITCH 1/8
523	P0539523	CONNECTOR 1/4N X 1/8T
524	P0539524	CONNECTOR 1/4N X 1/8T X 90°
525	P0539525	BUFFER, BRONZE
527	P0539527	CONNECTOR 5/16N X 1/8T X 90°
528	P0539528	FLEXIBLE HOSE 8MM
529	P0539529	FLEXIBLE HOSE 8MM
531	P0539531	FLEXIBLE HOSE 6MM
532	P0539532	FLEXIBLE HOSE 6MM
533	P0539533	FLEXIBLE HOSE 6MM
535	P0539535	FLEXIBLE HOSE 6MM
536	P0539536	FLEXIBLE HOSE 6MM
537	P0539537	FLEXIBLE HOSE 6MM
538	P0539538	FLEXIBLE HOSE 6MM



Grizzly *Industrial, Inc.*®

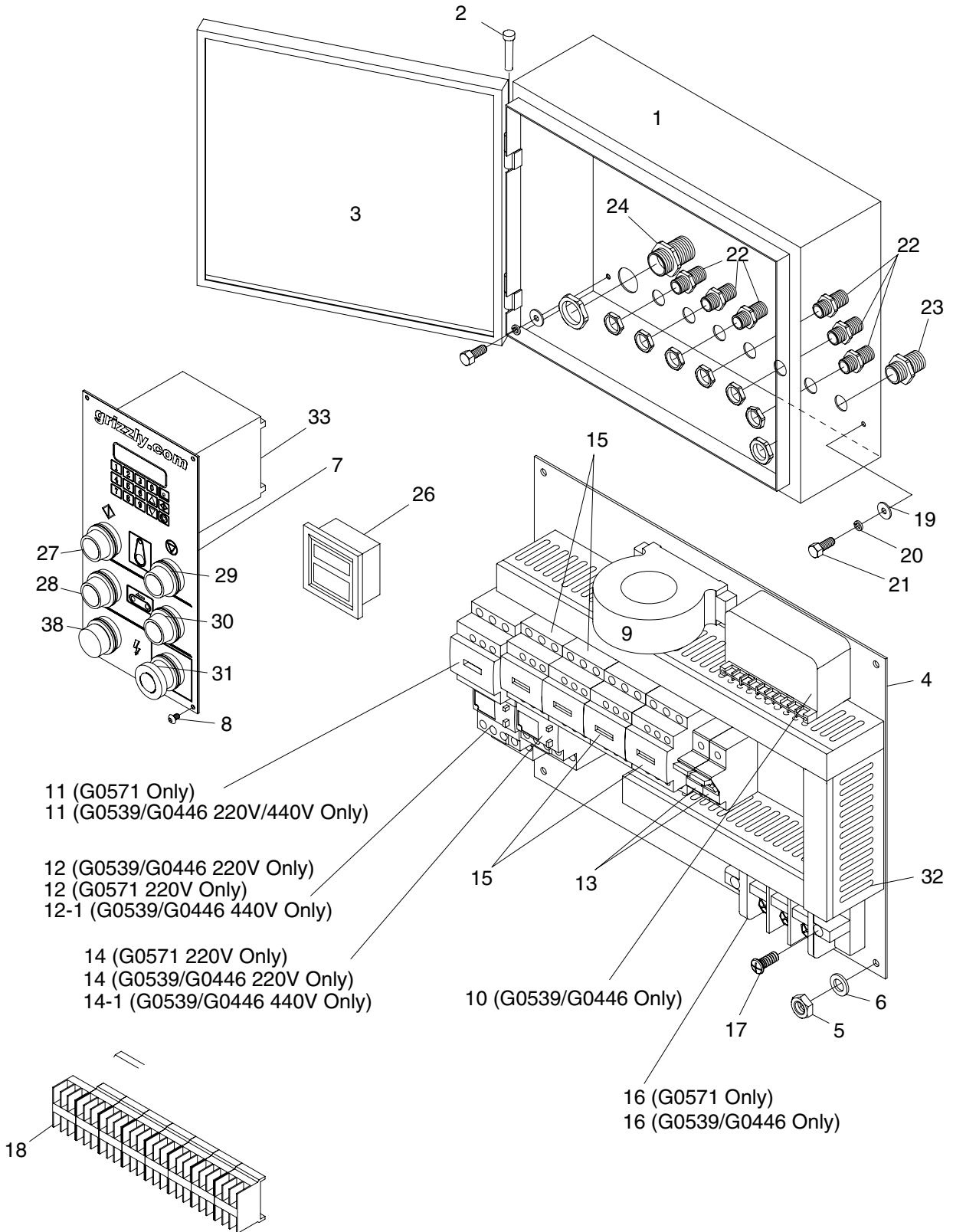
37" WIDE BELT SANDERS

MODELS G0446, G0539, G0571 INSTRUCTION MANUAL



COPYRIGHT © MAY 2005 BY GRIZZLY INDUSTRIAL, INC.
**WARNING: NO PORTION OF THIS MANUAL MAY BE REPRODUCED IN ANY SHAPE
OR FORM WITHOUT THE WRITTEN APPROVAL OF GRIZZLY INDUSTRIAL, INC.**
#CR6971 PRINTED IN TAIWAN

Main Electrical Panel and Controls Diagram



Parts List

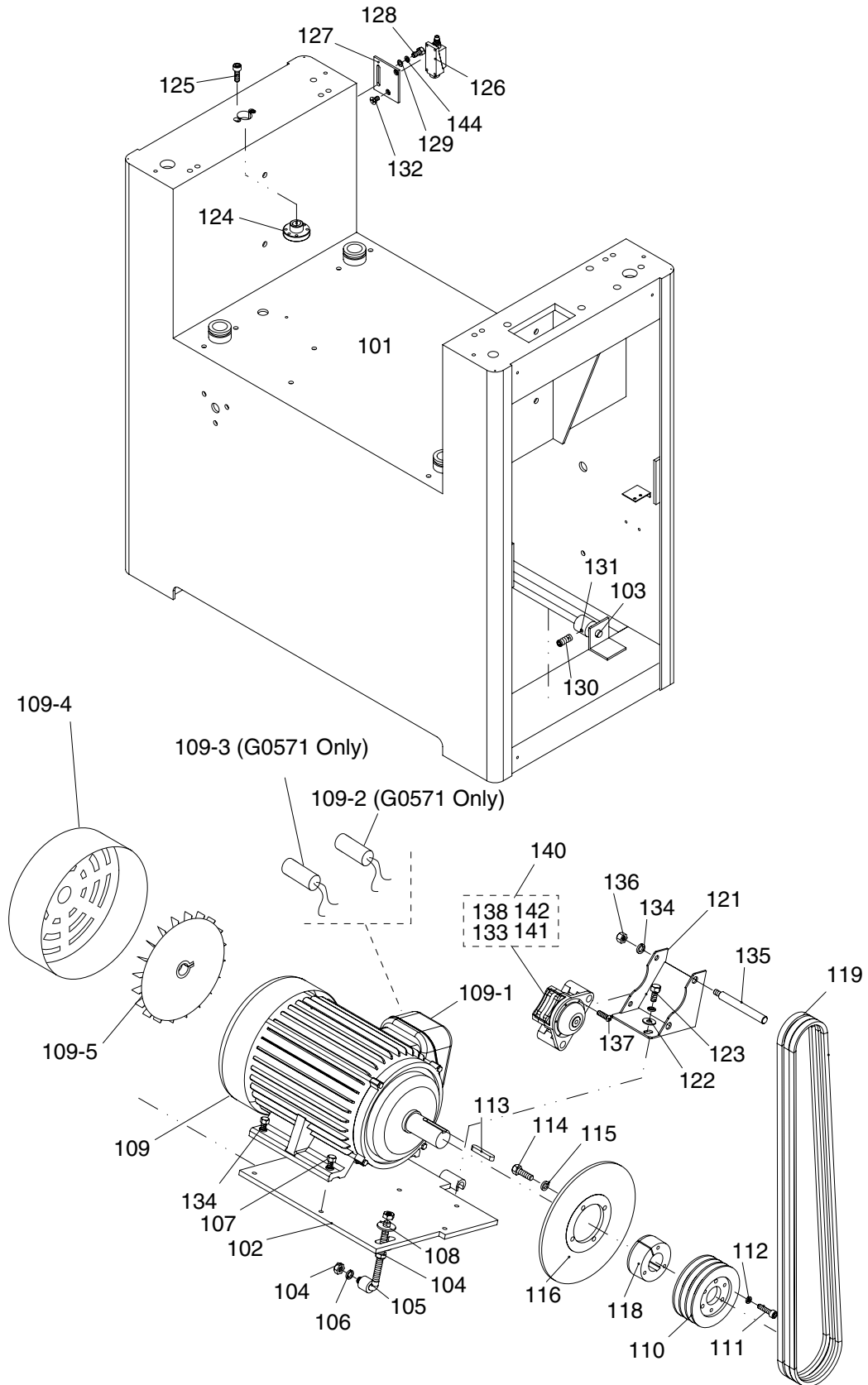
REF	PART #	DESCRIPTION
1	P05398101	ELECTRICAL CONTROL BOX
2	P05398102	HINGE
3	P05398103	DOOR
4	P05398104	BASE PLATE
5	PN05	HEX NUT 1/4-20
6	PLW02	LOCK WASHER 1/4
7	P05398107	CONTROL PANEL
8	PS07M	PHLP HD SCR M4-.7 X 8
9	P0539009	CURRENT SENSOR
10	P0539010	TRANSFORMER 3PH (G0539/G0446)
11	P0571011	CONTR LC1-D50 (G0571)
11	P0539011	CONTR SWTCH LC1-D40 (G0539/G0446)
12	P0571012	RELAY LR3D-3359 (48-65A) (G0571)
12	P0539012	RELAY LR3D-3355 (30-40A) (G0539/G0446)
13	P0539013	FUSE 4A
14	P05718114	OVERLD RELAY LR3D-126 (G0571)
14	P05398114	OVERLOAD RELAY LR3D-086 (G0539/G0446)

REF	PART #	DESCRIPTION
15	P05398115	CONTACTOR LC1-D096M7
16	P0571016	BLOCK (G0571)
16	P05398116	BLOCK (G0539/G0446)
17	PS51M	PHLP HD SCR M4-.7 X 30
18	P05398118	TERMINAL PLATE
19	PW06	FLAT WASHER 1/4
20	PLW02	LOCK WASHER 1/4
21	PS04	PHLP HD SCR 1/4-20 X 1/2
22	P05398122	PU CONNECTOR 1/2
23	P05398123	PU CONNECTOR 3/4
24	P05398124	CABLE CONNECTOR 1"
26	P05398126A	DIGITAL AMP METER
27	P05398128-1	START SWITCH
28	P05398128-2	START SWITCH
29	P05398129-1	STOP SWITCH
30	P05398129-2	STOP SWITCH
31	P05398131	EMERGENCY STOP SWITCH
32	P05398132	WIRE COLUMN
33	P05398133	COMPUTER
38	P05398130	POWER INDICATION LIGHT

440V CONVERSION PARTS (G0446/G0539)

REF	PART #	DESCRIPTION
12-1	P0539012-1	RELAY LR3D-3322 (17-25A)
14-1	P0539014-1	RELAY LR3D-076 (1.6-2.5A)

Sanding Motor Diagram

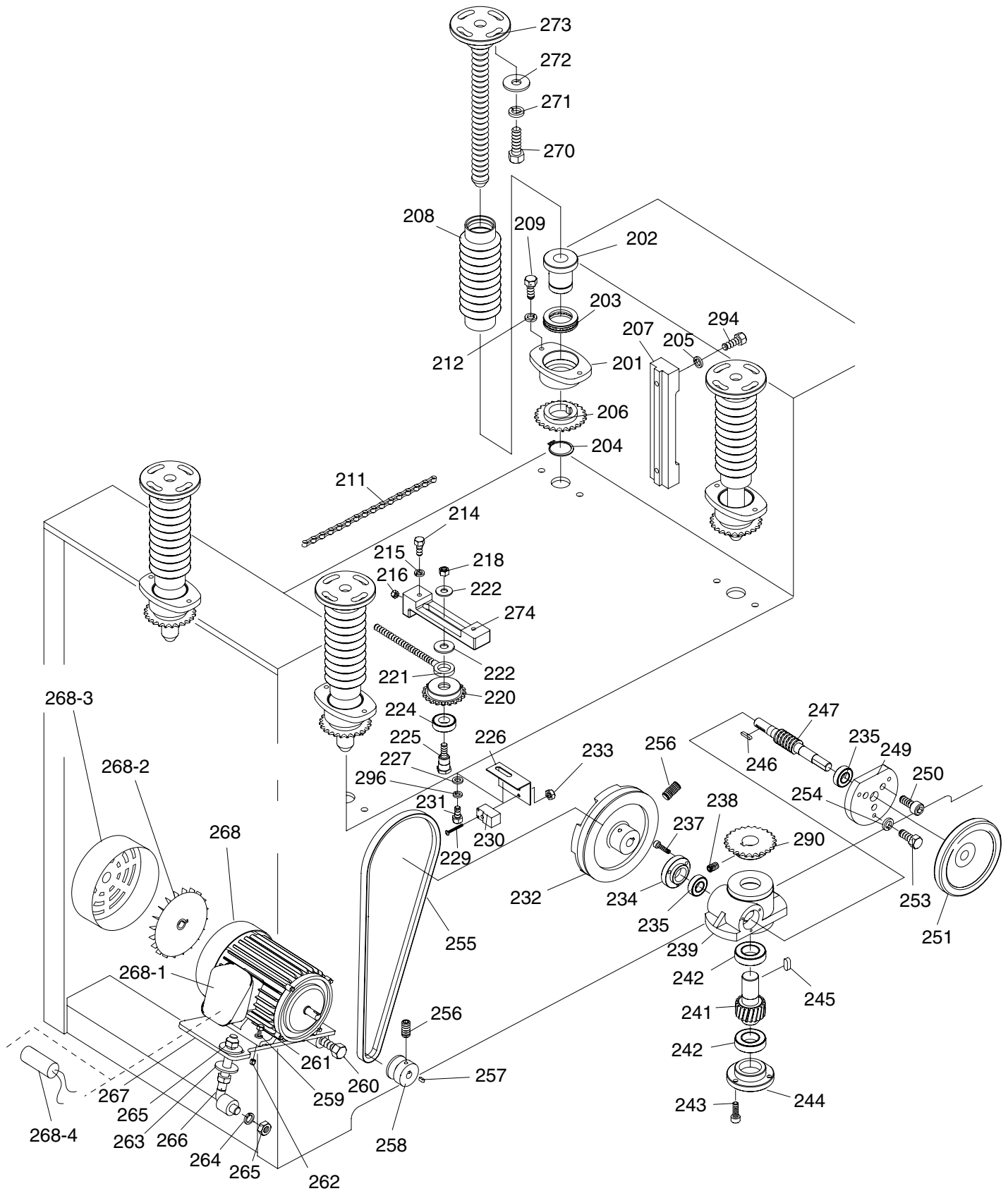


Parts List

REF	PART #	DESCRIPTION
101	P0539101	MACHINE FRAME
102	P0539102	MOTOR BASE
103	P0539103	MOTOR BASE HINGE
104	PN06	HEX NUT 1/2-12
105	P0539105	BASE ADJUSTMENT ROD
106	PLW07	LOCK WASHER 1/2
107	PB24	HEX BOLT 3/8-16 X 1 1/4
108	PW01	FLAT WASHER 1/2
109	P0571109	MOTOR 10HP 1PH (G0571)
109	P0539143	MOTOR 15HP 3PH (G0539 & G0446)
109-1	P0571109-1	WIRING BOX (G0571)
109-1	P0539143-1	WIRING BOX (G0539 & G0446)
109-2	P0571109-2	S. CAPACITOR (G0571)
109-3	P0571109-3	R. CAPACITOR (G0571)
109-4	P0571109-4	FAN COVER (G0571)
109-4	P0539143-1	FAN COVER (G0539 & G0446)
109-5	P0571109-5	FAN (G0571)
109-5	P0539143-2	FAN (G0539 & G0446)
110	P0539110	PULLEY
111	PSB08	CAP SCREW 5/16-18 x 1 1/2
112	PLW01	LOCK WASHER 5/16
113	P0539113	MOTOR KEY
114	PB03	HEX BOLT 5/16-18 X 1
115	PLW01	LOCK WASHER 5/16
116	P0539116	BRAKE

REF	PART #	DESCRIPTION
118	P0539118	PULLEY BUSHING
119	PVA71	V-BELT A-71 4L710
121	P0539121	BRAKE BRACKET
122	PW02	FLAT WASHER 3/8
123	PB21	HEX BOLT 3/8-16 X 3/4
124	P0539124	FLAT HEAD NUT
125	PSB05	CAP SCREW 1/4-20 X 3/4
126	P0539126	LIMIT SWITCH
127	P0539127	LIMIT SWITCH PLATE
128	PS04	PHLP HD SCR 1/4-20 X 1/2
129	PW06	FLAT WASHER 1/4
130	PSB07	CAP SCREW 5/16-18 X 3/4
131	P0539131	COVER
132	PFH12M	FLAT HD SCR M6-1 X 25
133	P0539133	BRAKE ARBOR
134	PLW04	LOCK WASHER 3/8
135	P0539135	BRAKE PIN
136	PN08	HEX NUT 3/8-16
137	PSB10M	CAP SCREW M5-.8 X 15
138	P0539138	BRAKE LINING
140	P0539140	COMPLETE BRAKE ASSY.
141	P0539141	BRAKE SPRING
142	P0539142	BRAKE INSIDE PIECE
144	PLW02	LOCK WASHER 1/4

Table Lift System Diagram

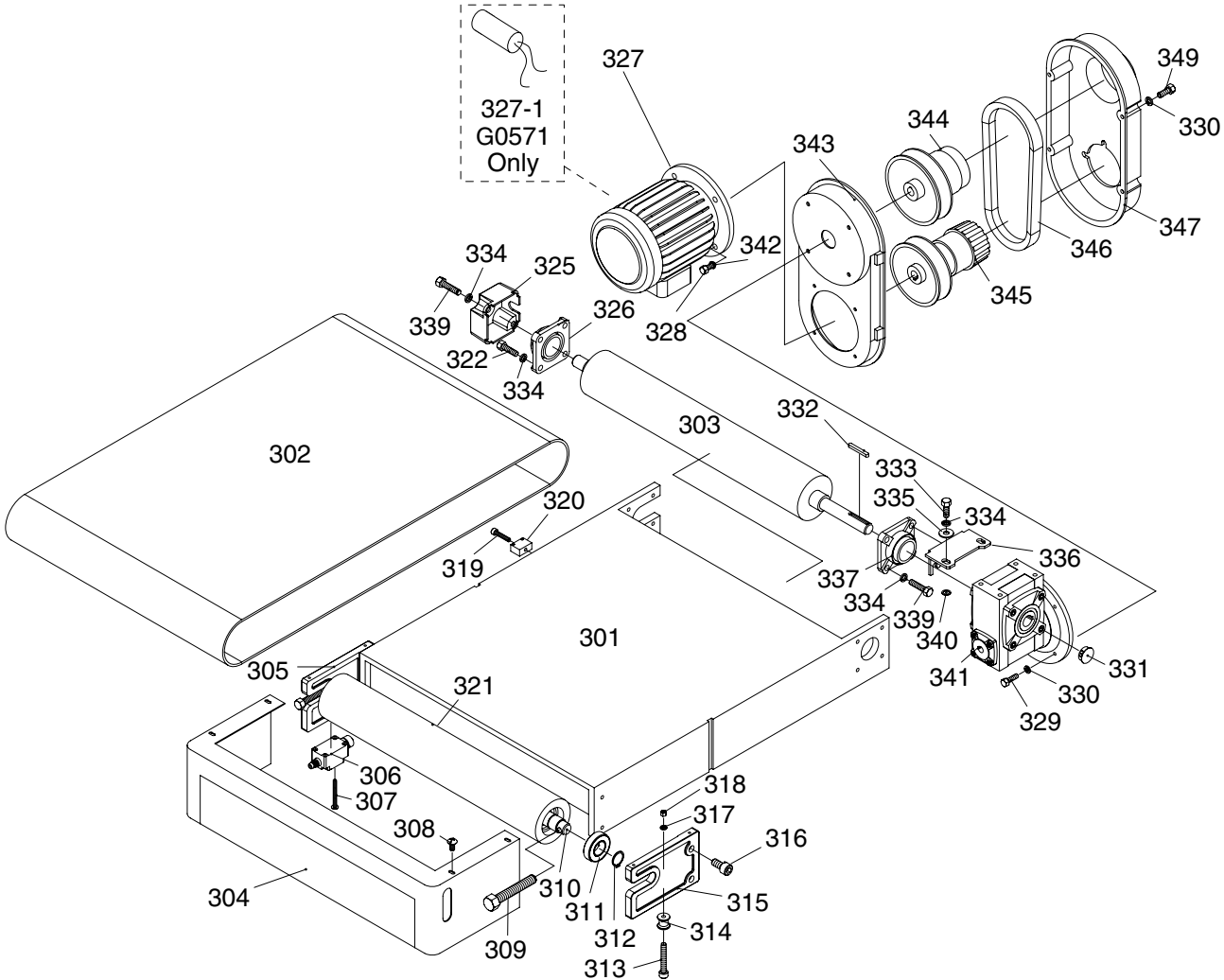


Parts List

REF	PART #	DESCRIPTION
201	P0539201	HEX NUT HOUSING
202	P0539202	COLUMN NUT
203	P51107	THRUST BEARING 51107
204	PR12M	EXT RETAINING RING 35MM
205	PLW04	LOCK WASHER 3/8
206	P0539206	SPROCKET WHEEL
207	P0539207	ELEVATION SLIDE
208	P0539208	DUST BOOT
209	PB07	HEX BOLT 5/16-18 X 3/4
211	P0539211	CHAIN
212	PLW01	LOCK WASHER 5/16
214	PB07	HEX BOLT 5/16-18 X 3/4
215	PLW01	LOCK WASHER 5/16
216	PN02	HEX NUT 5/16-18
218	PN08	HEX NUT 3/8-16
220	P0539220	SPROCKET WHEEL
221	P0539221	WHEEL ROD
222	PW02	FLAT WASHER 3/8
224	P6003	BALL BEARING 6003ZZ
225	P0539225	SPROCKET SHAFT
226	P0539226	SWITCH PLATE
227	PW06	FLAT WASHER 1/4
229	PS97M	PHLP HD SCR M3-.5 X 35
230	P0539230	PROXIMITY SWITCH
231	PB193	HEX BOLT 1/2-12 X 2 1/2
232	P0539232	PULLEY
233	PN07M	HEX NUT M3-.5
234	P0539234	BEARING CAP
235	P6002	BALL BEARING 6002Z
237	PSB31	CAP SCREW 10-24 X 5/8
238	PSS07	SET SCREW 1/4-20 X 1/2
239	P0539239	ELEVATION GEAR BOX
241	P0539241	WORM GEAR
242	P6005	BALL BEARING 6005Z
243	PSB05	CAP SCREW 1/4-20 X 3/4
244	P0539244	BEARING CAP
245	PK14	KEY 5/16 X 5/16 X 3/4
246	PK48M	KEY 4 X 4 X 20

REF	PART #	DESCRIPTION
247	P0539247	WORM GEAR
249	P0539249	BEARING CAP
250	PSB01	CAP SCREW 1/4-20 X 5/8
251	P0539251	HAND WHEEL
253	PB07	HEX BOLT 5/16-18 X 3/4
254	PLW01	LOCK WASHER 5/16
255	PVA37	V-BELT A-37 4L370 (G0539/G0446)
255	PVA36	V-BELT A-36 4L360 (G0571)
256	PSS07	SET SCREW 1/4-20 X 1/2
257	PK37M	KEY 4 X 4 X 16
258	P0571258	PULLEY (G0571)
258	P0539258	PULLEY (G0539/G0446)
259	PLW02	LOCK WASHER 1/4
260	PB89	HEX BOLT 1/2-12 X 4 1/2
261	PB31	HEX BOLT 1/4-20 X 1
262	PN05	HEX NUT 1/4-20
263	PW01	FLAT WASHER 1/2
264	PLW07	LOCK WASHER 1/2
265	PN06	HEX NUT 1/2-12
266	P0539266	ADJUSTMENT ROD
267	P0539267	MOTOR BASE
268	P0539268	MOTOR 1/4HP 3PH (G0539/G0446)
268	P0571268	MOTOR 1/3HP 1PH (G0571)
268-1	P0539268-1	ELECTRICAL BOX (G0539/G0446)
268-1	P0571268-1	ELECTRICAL BOX (G0571)
268-2	P0539268-2	FAN (G0539/G0446)
268-2	P0571268-2	FAN (G0571)
268-3	P0539268-3	FAN COVER (G0539/G0446)
268-3	P0571268-3	MOTOR FAN COVER (G0571)
268-4	P0571268-4	CAPACITOR (G0571)
270	PB12	HEX BOLT 5/16-18 X 1 1/4
271	PLW01	LOCK WASHER 5/16
272	PW07	FLAT WASHER 5/16
273	P0539273	ELEVATION SCREW
274	P0539274	WHEEL ADJUSTER
290	P0539290	SPROCKET WHEEL
294	PB18	HEX BOLT 3/8-16 X 1
296	PLW02	LOCK WASHER 1/4

Conveyor System Diagram

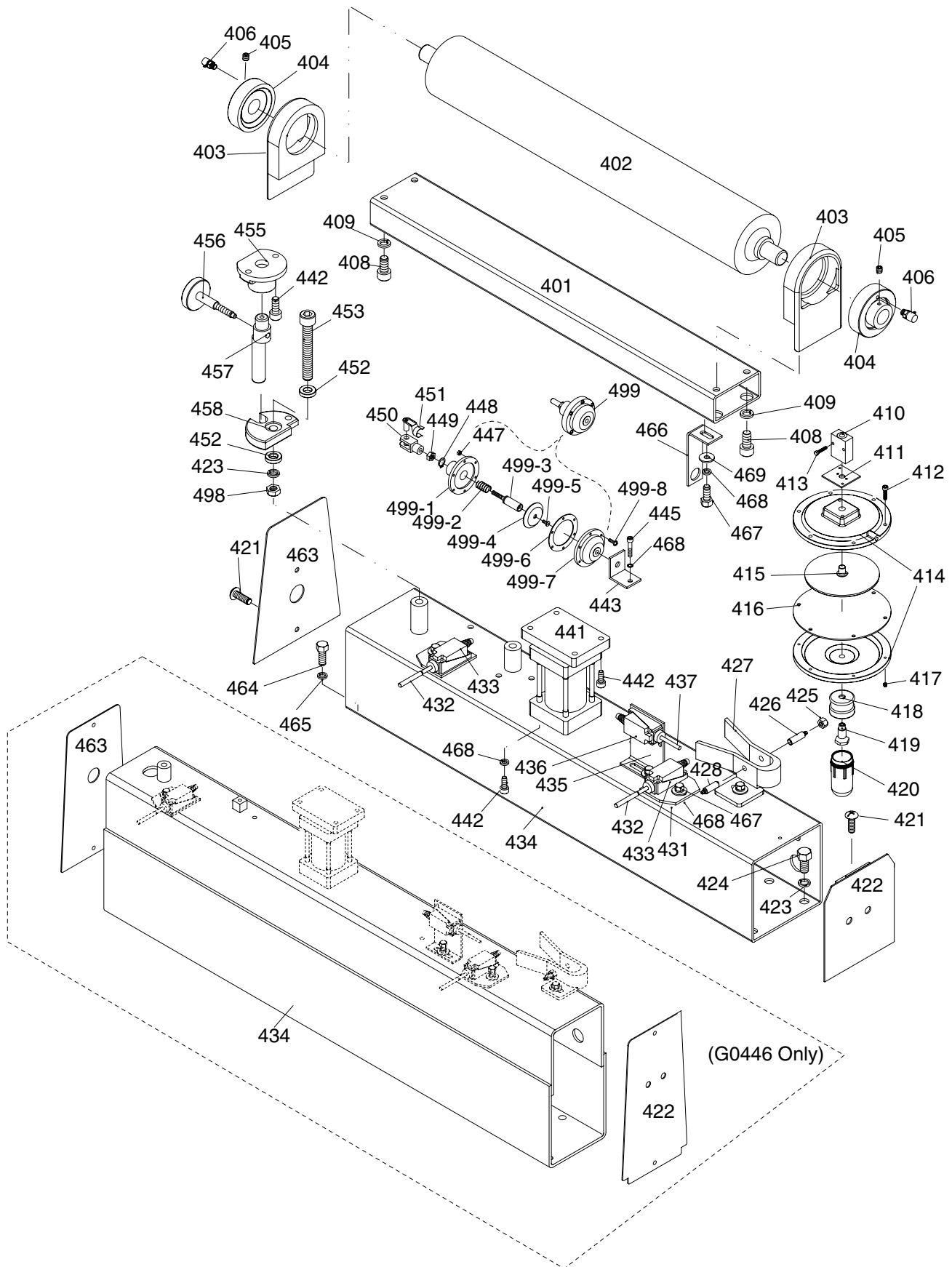


Parts List

REF	PART #	DESCRIPTION
301	P0539301	TABLE
302	P0539302	CONVEYOR BELT
303	P0539303	OUTFEED ROLLER
304	P0539304	FRONT BRAKE COVER
305	P0539305	INFEED ROLLER BRACKET
306	P0539306	LIMIT SWITCH
307	PS10	PHLP HD SCR 10-24 x 1 1/2
308	PS04	PHLP HD SCR 1/4-20 X 1/2
309	PB95	HEX BOLT 1/2-12 X 3
310	P0539310	INFEED ROLLER SHAFT
311	P2606	BALL BEARING 6206-2RS
312	PR15M	EXT RETAINING RING 30MM
313	PSB70	CAP SCREW 5/16-18 X 2
314	P0539314	POSITIONING WHEEL
315	P0539315	INFEED ROLLER BRACKET
316	PSB16	CAP SCREW 3/8-16 X 3/4
317	PLW01	LOCK WASHER 5/16
318	PN02	HEX NUT 5/16-18
319	PSB62	CAP SCREW 1/4-20 X 1 1/2
320	P0539320	ELEVATION LIMITER
321	P0539321	INFEED ROLLER
322	PB24	HEX BOLT 3/8-16 X 1 1/4
325	P0539325	BEARING CAP
326	P0539326	BEARING UCF205

REF	PART #	DESCRIPTION
327	P0539327	MOTOR 1HP 1PH (G0539/G0446)
327	P0571327	MOTOR 1HP 1PH (G0571)
327-1	P0571327-1	CAPACITOR (G0571)
328	PB32M	HEX BOLT M10-1.5 x 25
329	PB07M	HEX BOLT M8-1.25 X 25
330	PLW04M	LOCK WASHER 8MM
331	P0539331	PLUG
332	PK66M	KEY 7 X 7 X 55
333	PB18	HEX BOLT 3/8-16 X 1
334	PLW04	LOCK WASHER 3/8
335	PW02	FLAT WASHER 3/8
336	P0539336	GEARBOX PLATE
337	P0539326	BEARING UCF205
339	PB16	HEX BOLT 3/8-16 X 1 1/2
340	P0539340	CUSHION
341	P0539341	REDUCER
342	PLW06M	LOCK WASHER 10MM
343	P0539343	SPEED UNIT BASE PLATE
344	P0539344	DRIVEN PULLEY
345	P0539345	DRIVING PULLEY
346	P0539346	TIMING BELT
347	P0539347	SPEED UNIT COVER
349	P0539349	SPECIAL SCR M8-1.25 X 20

Upper Roller System Diagram

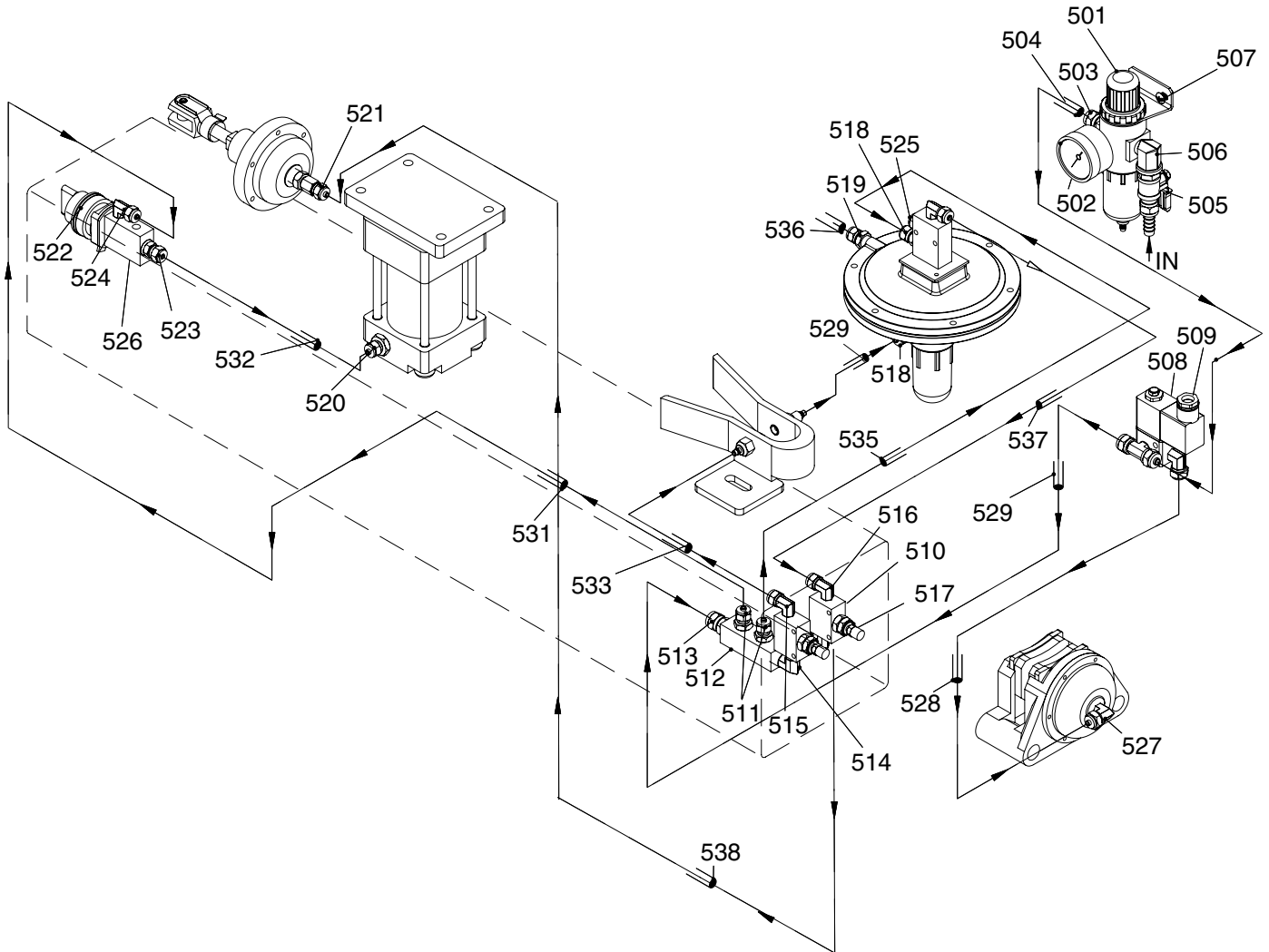


Parts List

REF	PART #	DESCRIPTION
401	P0539401	UPPER ROLLER BRACKET
402	P0539402	UPPER ROLLER
403	P0539403	UPPER ROLLER BRACKET
404	P0539404	BEARING UCC205
405	P0539405	SET SCREW M6-1 X 6
406	P0539406	FILTER
408	PSB16	CAP SCREW 3/8-16 X 3/4
409	PLW04	LOCK WASHER 3/8
410	P0539410	THROTTLE VALVE
411	P0539411	THROTTLE VALVE BASE
412	PSB33	CAP SCREW 10-24 x 3/4
413	PS52M	PHLP HD SCR M4-.7 X 20
414	P0539414	ALUMINUM DISC
415	P0539415	ALUMINUM PLATE
416	P0539416	PLATE
417	PN07	HEX NUT 10-24
418	P0539418	OIL CAP CONNECTOR
419	P0539419	SHAFT OF OIL CAP
420	P0539420	OIL CAP
421	PS04	PHLP HD SCR 1/4-20 X 1/2
422	P0539422	FRAME SEAL, (R) (G0539/G0446)
422	P0446422	FRAME SEAL, (R) (G0446)
423	PLW07	LOCK WASHER 1/2
424	PB53	HEX BOLT 1/2-12 X 1
425	PN11	HEX NUT 3/8-24
426	P0539426	AIR NOZZLE (FEMALE)
427	P0539427	AIR CYLINDER BRACKET
428	P0539428	AIR RECEIVER (MALE)
431	P0539431	LIMIT SWITCH HOLDER
432	P0539432	LIMIT SWITCH TUBE
433	P0539433	LIMIT SWITCH W/CERAMIC TIP
434	P0446434	SQUARE FRAME (G0446)
434	P0539434	SQUARE FRAME (G0539/G0446)
435	P0539435	HOLDER (L TYPE)
436	P0539436	LIMIT SWITCH

REF	PART #	DESCRIPTION
437	P0539437	PLASTIC LIMIT SWITCH ROD
441	P0539441	AIR CYLINDER
442	PSB07	CAP SCREW 5/16-18 X 3/4
443	P0539443	BASE
445	P0539445	CAP SCREW 5/16-18 x 1 1/2
447	PN07	HEX NUT 10-24
448	PR05M	EXT RETAINING RING 15MM
449	PN02M	HEX NUT M10-1.5
450	P0539450	UNIVERSAL JOINT FORK
451	P0539451	LOCKING CLEVIS
452	PW01	FLAT WASHER 1/2
453	PSB79	CAP SCREW 1/2-12 X 3 1/2
455	P0539455	FRAME
456	P0539456	TRIMMING SCREW
457	P0539457	ECCENTRIC ROD
458	P0539458	ECCENTRIC
463	P0446463	FRAME SEAL, (L) (G0446)
463	P0539463	FRAME SEAL, (L) (G0539 & G0571)
464	PB18	HEX BOLT 3/8-16 X 1
465	PLW04	LOCK WASHER 3/8
466	P05396128	POWER OFF PLATE
467	PB07	HEX BOLT 5/16-18 X 3/4
468	PLW01	LOCK WASHER 5/16
469	PW07	FLAT WASHER 5/16
498	PN06	HEX NUT 1/2-12
499	P0539499	DIAPHRAM ASSY
499-1	P0539499-1	PUSHROD COVER
499-2	P0539499-2	COMPRESSION SPRING
499-3	P0539499-3	PUSHROD
499-4	P0539499-4	PLATE
499-5	P0539499-5	SPECIAL SCREW
499-6	P0539499-6	DIAPHRAM
499-7	P0539499-7	REAR HOUSING
499-8	PSB33	CAP SCREW 10-24 x 3/4

Belt Oscillation System Diagram

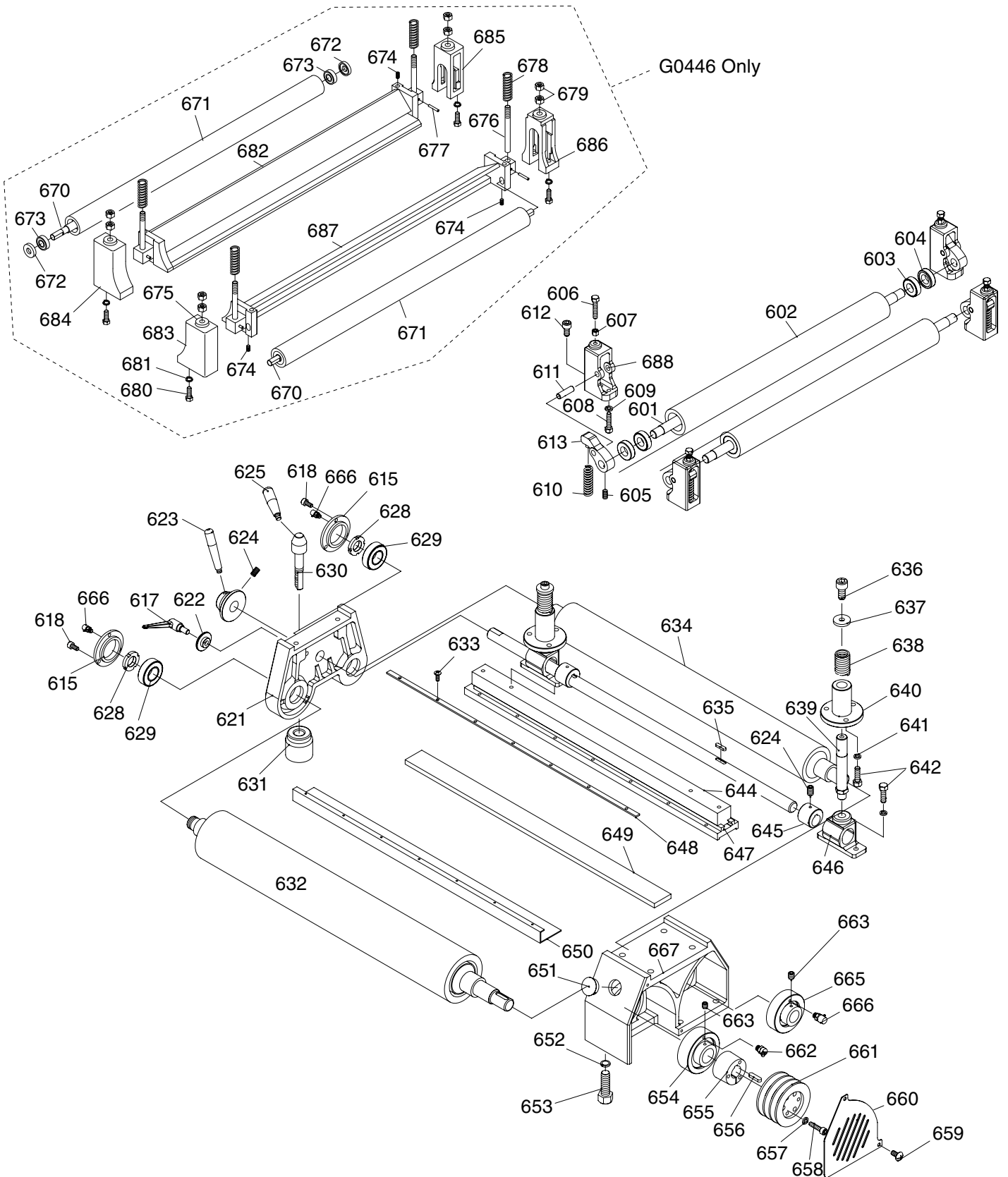


Parts List

REF	PART #	DESCRIPTION
501	P0539501	PRESSURE REGULATOR
502	P0539502	PSI GAUGE
503	P0539503	BRONZE CONNECTOR
504	P0539504	FLEXIBLE HOSE
505	P0539505	AIR SWITCH
506	P0539506	ELBOW
507	PS22	PHLP HD SCR 10-24 x 5/8
508	P0539508	SOLENOID VALVE
509	P0539509	SOLENOID VALVE
510	P0539510	THROTTLE VALVE
511	P0539511	CONNECTOR
512	P0539512	CONNECTOR
513	P0539513	CONNECTOR
514	P0539514	BRONZE ELBOW
515	P0539515	CONNECTOR
516	P0539516	CONNECTOR
517	P0539517	NEEDLE VALVE
518	P0539518	PLASTIC CONNECTOR

REF	PART #	DESCRIPTION
519	P0539519	BRONZE CONNECTOR
520	P0539520	CONNECTOR
521	P0539521	CONNECTOR
522	P0539522	AIR SWITCH 1/8
523	P0539523	CONNECTOR
524	P0539524	CONNECTOR
525	P0539525	BUFFER (BRONZE)
527	P0539527	PLASTIC CONNECTOR
528	P0539528	FLEXIBLE HOSE
529	P0539529	FLEXIBLE HOSE
531	P0539531	FLEXIBLE HOSE
532	P0539532	FLEXIBLE HOSE
533	P0539533	FLEXIBLE HOSE
535	P0539535	FLEXIBLE HOSE
536	P0539536	FLEXIBLE HOSE
537	P0539537	FLEXIBLE HOSE
538	P0539538	FLEXIBLE HOSE

Feed, Drum, and Pressure Roller Diagram

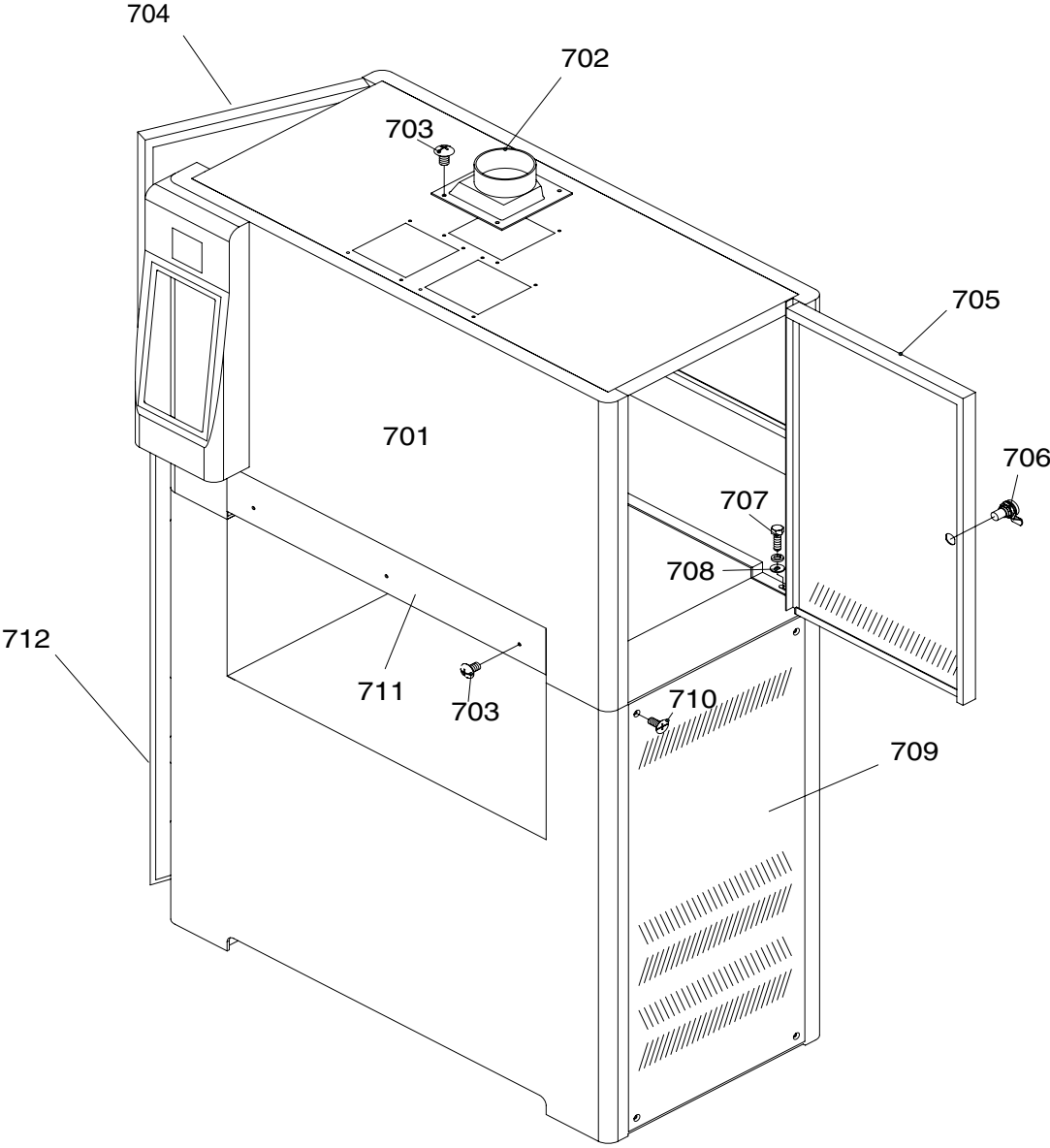


Parts List

REF	PART #	DESCRIPTION
601	P0539601	PISTON ROLLER SHAFT
602	P0539602	PISTON ROLLER
603	P6003-2RS	BALL BEARING 6003-2RS
604	P0539604	SHAFT BEARING COLLAR
605	PSS03	SET SCREW 1/4-20 X 3/8
606	PS11	PHLP HD SCR 5/16-18 X 1 1/4
607	PN02	HEX NUT 5/16-18
608	PB12	HEX BOLT 5/16-18 X 1 1/4
609	PLW01	LOCK WASHER 5/16
610	P0539610	COMPRESSION SPRING
611	P0539611	SPECIAL PIN 10MM
612	PSB05	CAP SCREW 1/4-20 X 3/4
613	P0539613	PISTON SIDERAIL
615	P0539615	BEARING CAP
617	P0539617	HANDLE
618	PSB04	CAP SCREW 1/4-20 X 1/2
621	P0539621	BEARING HOUSING
622	P0539622	SPECIAL WASHER
623	P0539623	HANDLE
624	PSS08	SET SCREW 5/16-18 X 1/2
625	P0539625	HANDLE
628	P0539628	SPANNER NUT
629	P6205A	BALL BEARING 6205-2RS
630	P0539630	LEVER SHANK
631	P0539631	BEARING BRACKET PAD
632	P0539632	RUBBER ROLLER
633	PS01	PHLP HD SCR 10-24 X 1/2
634	P0539634	STEEL ROLLER
635	PK34M	KEY 5 X 5 X 20
636	PSB16	CAP SCREW 3/8-16 X 3/4
637	PW02	FLAT WASHER 3/8
638	P0539638	COMPRESSION SPRING
639	P0539639	FIXING SHAFT
640	P0539640	HOUSING
641	PW07	FLAT WASHER 5/16
642	PB03	HEX BOLT 5/16-18 X 1
644	P0539644	BRACKET (MALE)
645	P0539645	TUBE
646	P0539646	BASE

REF	PART #	DESCRIPTION
647	P0539647	BRACKET (FEMALE)
648	P0539648	PRESSURE PLATE
649	P0539649	FELT
650	P0539650	GRAPHITE PAD
651	P0539651	PLUG 25 MM
652	PLW07	LOCK WASHER 1/2
653	PB41	HEX BOLT 1/2-12 X 1 1/2
654	P05395104	BEARING UCC206
655	P0539655	FASTENING TUBE
656	PK11	KEY 5/16 X 5/16 X 1 3/16
657	PLW01	LOCK WASHER 5/16
658	PSB11	CAP SCREW 5/16-18 X 1 1/4
659	PS07	PHLP HD SCR 1/4-20 X 3/8
660	P0539660	COVER OF PULLEY
661	P0539661	PULLEY
662	P0539662	GREASE FITTING
663	PSS02M	SET SCREW M6-1 X 6
665	P05395204	BEARING UCC205
666	P0539666	FILTER
667	P0539667	BEARING HOUSING
670	P0446670	AXLE (G0446)
671	P0446671	ROLLER (G0446)
672	P0446672	ROLLER BRACKET (G0446)
673	P05395204	BEARING UCC205 (G0446)
674	PSS07	SET SCREW 1/4-20 X 1/2
675	PW04M	FLAT WASHER 10MM
676	P0446676	STUD (G0446)
677	PRP17M	ROLL PIN 3.5 X 24
678	P0446678	COMPRESSION SPRING (G0446)
679	PN02M	HEX NUT M10-1.5
680	PB12	HEX BOLT 5/16-18 X 1 1/4
681	PLW01	LOCK WASHER 5/16
682	P0446682	PLATEN (REAR) (G0446)
683	P0446683	ROLLER TOWER (LF) (G0446)
684	P0446684	ROLLER TOWER (LR) (G0446)
685	P0446685	ROLLER TOWER (RR) (G0446)
686	P0446686	ROLLER TOWER (RF) (G0446)
687	P0539687	PLATEN FRONT (G0446)
688	P0539688	PISTON BRACKET

Cabinet Assembly Diagram

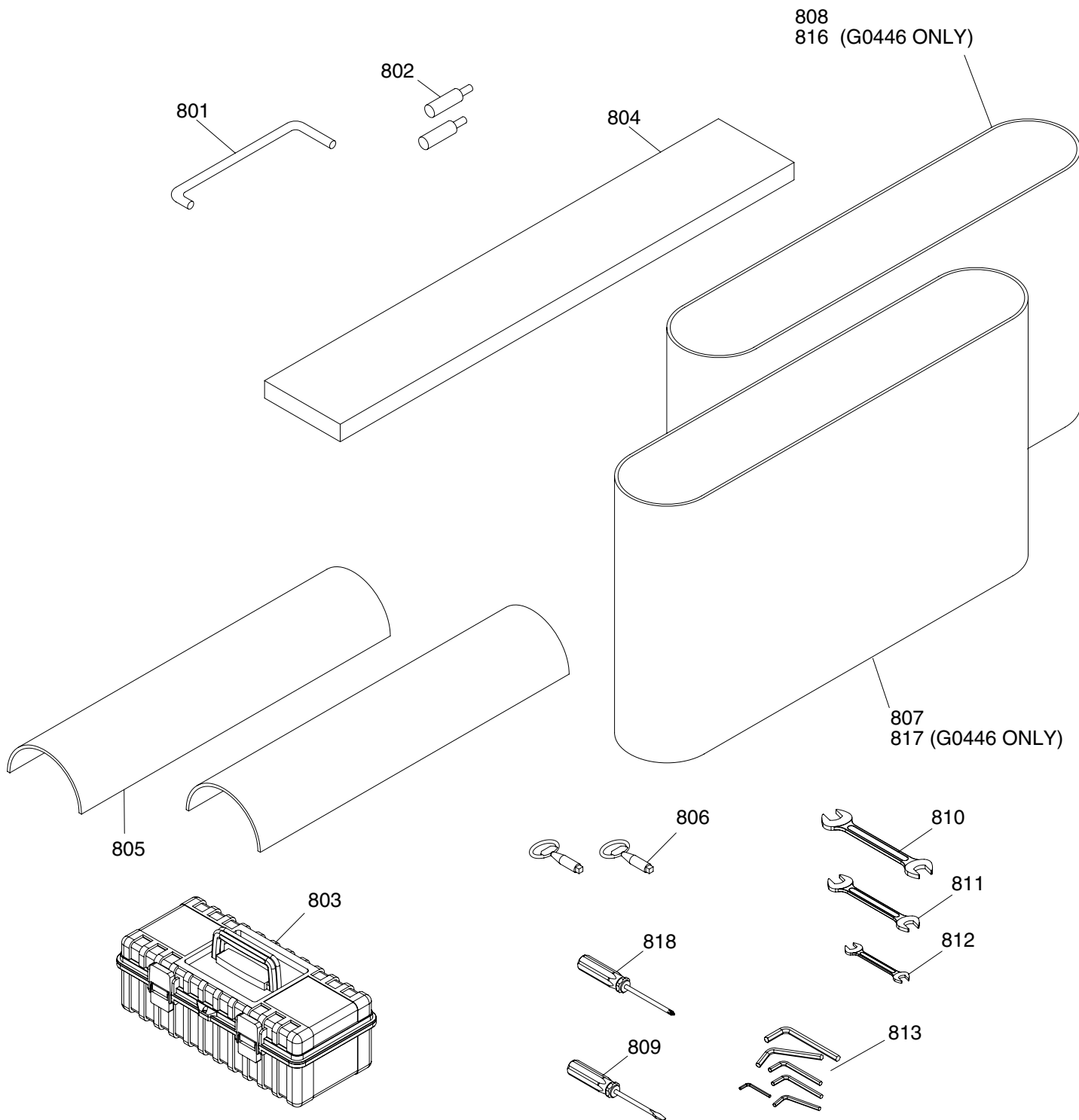


Parts List

REF	PART #	DESCRIPTION
701	P0446701	UPR FRAME COVER (G0446)
701	P0539701	UPR FRAME COVER (G0539/G0571)
702	P0539702	4" DUST PORT
703	PS14M	PHLP HD SCR M6-1 X 12
704	P0446704	LEFT DOOR (G0446)
704	P0539704	LEFT DOOR, (G0539/G0571)
705	P0446705	RIGHT DOOR, UPR FRAME (G0446)
705	P0539705	RIGHT DOOR, UPPER FRAME
706	P0539706	DOOR LOCK

REF	PART #	DESCRIPTION
707	PB07	HEX BOLT 5/16-18 X 3/4
708	PW07	FLAT WASHER 5/16
709	P0446709	RIGHT DOOR, LWR FRAME (G0446)
709	P0539709	R. DOOR, LWR FRAME (G0539/G0571)
710	PFH03	FLAT HD SCR 1/4-20 X 1/2
711	P0539711	FRONT PLATE
712	P0446712	LEFT DOOR, LWR FRAME (G0446)
712	P0539712	DOOR, LWR FRAME (G0539/G0571)

Tool Box and Accessories Diagram



Parts List

REF	PART #	DESCRIPTION
801	P0539801	PLATEN REMOVAL TOOL
802	P0539802	LIMIT SWITCH TUBE
803	P0539803	TOOL BOX
804	P05390004	FELT
805	P0539805	GRAPHITE PAD
806	P0539806	DOOR KEY
807	P0539807	SANDPAPER: #100 (G0539/G0571)
808	P0539808	SANDPAPER: #180 (G0539/G0571)

REF	PART #	DESCRIPTION
809	P0539809	FLAT SCREWDRIVER
810	PWR1719	WRENCH 17 X 19
811	PWR1214	WRENCH 12 X 14
812	PWR810	WRENCH 8 X 10
813	P0539813	HEX WRENCH SET
816	P0446816	SANDPAPER: #100 (G0446)
817	P0446817	SANDPAPER: #180 (G0446)
818	P0539818	PHILLIP'S SCREWDRIVER