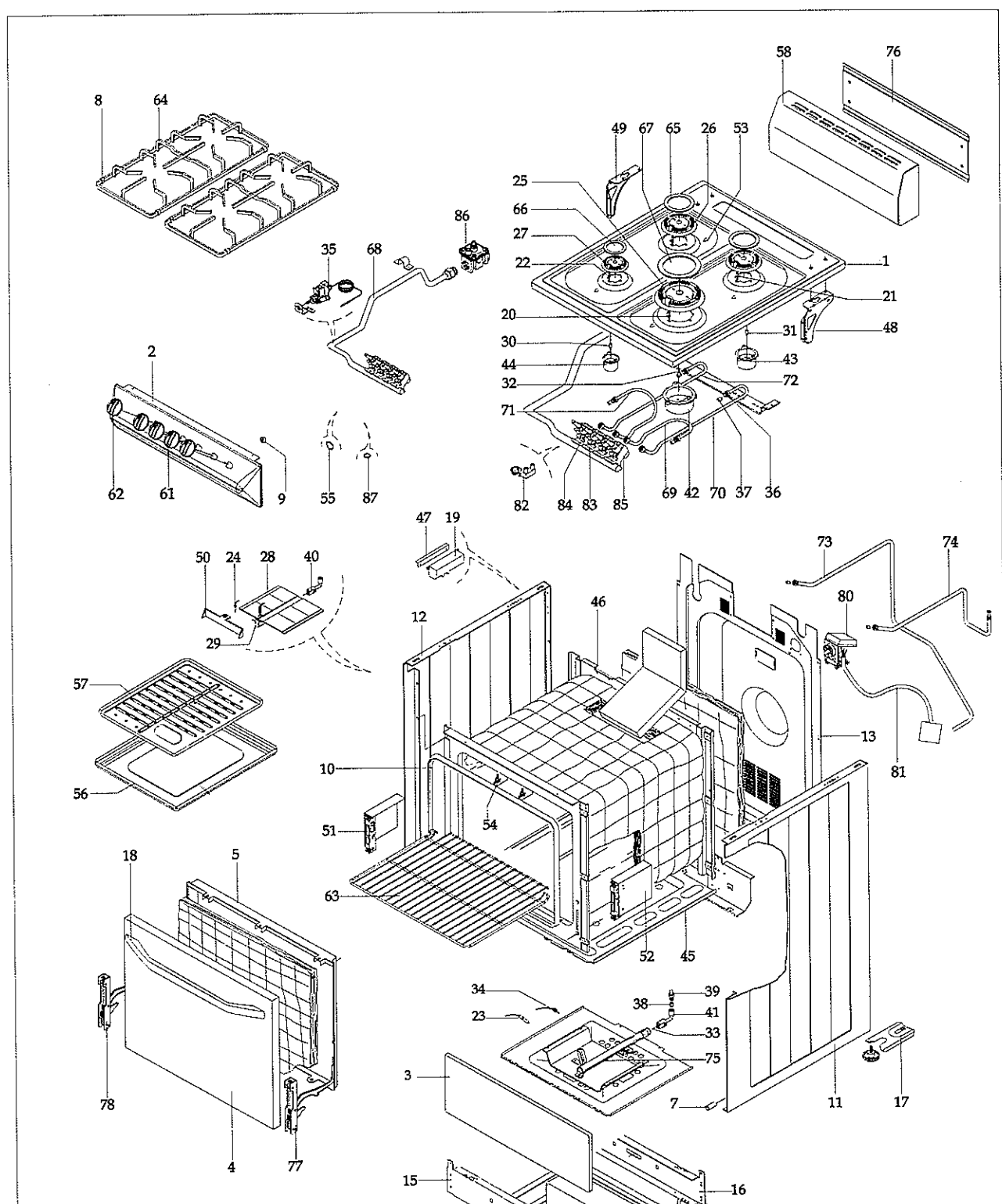


G24AW-1



| 2               |                  |          |             |  |
|-----------------|------------------|----------|-------------|--|
| 1               |                  |          |             |  |
| NO              | REVISION         | DATE     | APPROVED BY |  |
| 2002            | DATE NAME SIGN   |          |             | <br>GÜNEŞ ENERJİ VE ALIŞA SANAYİ A.Ş.<br>Fabr. Güzce köyü Gölbaşı Mevkii no:575<br>Menderes-İZMİR<br>Tel: 7811072 Fax: 7811105<br>E-Posta: kutulus@tinkol.com.tr |
| DRAWN BY        | 31.10 NEVİN UÇUZ |          |             |  |
| APPROVED BY     | ŞERMIN ERSOY     |          |             |  |
| WIRING DIAG. NO | FB-E2106         | PRODUCT: | TFB21USA07  |  |

## Spare Part List

Customer : AVANTI  
 Customer Product Code :  
 Product Code : TFB21USA07  
 Wiring Diagram : FB-E2106  
 Brand :  
 Valid Thru : 10/31/02

g24aw-1

| No | Code       | Description                                       | Unit | Quant. |
|----|------------|---|------|--------|
| 1  | 01999E01   | TFB 4G USA PLATE                                  | PCS  | 1      |
| 2  | 0200030S01 | AVANTI CONTROL PANEL                              | PCS  | 1      |
| 3  | 03095T01   | TFB WIDE TYPE DRAWER COVER                        | PCS  | 1      |
| 4  | 03101T01   | OVEN DOOR PANEL TFB18                             | PCS  | 1      |
| 5  | 03805E11   | OVEN DOOR LINER TFB18                             | PCS  | 1      |
| 6  | 05040102   | LEVELING LEG                                      | PCS  | 4      |
| 7  | 05072507   | BUMPER FOR DRAWER (BLACK)                         | PCS  | 4      |
| 8  | 05072513   | COOKING GRID PLUG                                 | PCS  | 4      |
| 9  | 05081005   | TFB/TFG/TFR MICROSWITCH STOPPER                   | PCS  | 4      |
| 10 | 05096108   | OVEN DOOR GASKET TFB18                            | PCS  | 1      |
| 11 | 07048T01   | SIDE PANEL RIGHT TFB/G18                          | PCS  | 1      |
| 12 | 07049T01   | SIDE PANEL LEFT TFB/GS18                          | PCS  | 1      |
| 13 | 08025P     | TFB21 OUTER OVEN TOP BACK COVER                   | PCS  | 1      |
| 14 | 09767T01   | TFB SUPPLEMENT BOTTOM PLINTH                      | PCS  | 1      |
| 15 | 09821T01   | TFB BASEMENT FRONT/ REAR ELEMENT                  | PCS  | 1      |
| 16 | 09849K     | LOWER PLINTH REAR ELEMENT                         | PCS  | 1      |
| 17 | 10016H01   | ANTI TIP BRACKET                                  | PCS  | 1      |
| 18 | 10026T01   | DOOR HANDLE TFB18                                 | PCS  | 1      |
| 19 | 10160404   | IGNITER   | PCS  | 1      |
| 20 | 10170156   | SPARKING PLUG WITH CABLE,500MM                    | PCS  | 1      |
| 21 | 10170157   | SPARKING PLUG WITH CABLE,440MM                    | PCS  | 2      |
| 22 | 10170158   | SPARKING PLUG WITH CABLE,200MM                    | PCS  | 1      |
| 23 | 10170206   | SPARKING PLUG CABLE,1250MM                        | PCS  | 1      |
| 24 | 10170207   | SPARKING PLUG CABLE,400MM                         | PCS  | 1      |
| 25 | 11010156   | LARGE BURNER UPPER PART (AESTHETIC/WITH IGNITER)  | PCS  | 1      |
| 26 | 11010157   | MEDIUM BURNER UPPER PART (AESTHETIC/WITH IGNITER) | PCS  | 2      |
| 27 | 11010158   | SMALL BURNER UPPER PART (AESTHETIC/WITH IGNITER)  | PCS  | 1      |
| 28 | 11010313   | TFG/TFB/TFR21 GRILL BURNER REFLECTOR              | PCS  | 1      |
| 29 | 11010314   | TFG/B21 GRILL BURNER GROUP(USA)                   | PCS  | 1      |
| 30 | 11010401   | M6*0.75-0.50 INJECTOR                             | PCS  | 1      |
| 31 | 11010402   | M6*0.75-0.65 INJECTOR                             | PCS  | 2      |
| 32 | 11010410   | M6*0.75-0.92 INJECTOR                             | PCS  | 1      |
| 33 | 11010423   | M6*0.75-0.90 INJECTOR                             | PCS  | 2      |
| 34 | 11020728   | OVEN&GRILL BURNER THERMOSTAT                      | PCS  | 1      |
| 35 | 11021314   | TAP WITH THERMOSTAT(NG, GREEN PAINTED)            | PCS  | 1      |
| 36 | 11040503   | MALE NUT  | PCS  | 4      |
| 37 | 11040504   | CLAMPING RING                                     | PCS  | 4      |
| 38 | 11040507   | CLAMPING RING                                     | PCS  | 3      |
| 39 | 11040508   | MALE NUT  | PCS  | 2      |
| 40 | 11055132   | TFG GRILL BURNER ADAPTOR(NG)                      | PCS  | 1      |
| 41 | 11057132   | OVEN BURNER ADAPTOR                               | PCS  | 1      |
| 42 | 11060140   | LARGE BURNER LOWER PART,AESTHETIC                 | PCS  | 1      |
| 43 | 11061097   | MEDIUM BURNER LOWER PART,AESTHETIC                | PCS  | 2      |
| 44 | 11062075   | NEW AESTHETIC SMALL BURNER LOWER PART             | PCS  | 1      |
| 45 | 11273E11   | TFG/B/R21 INNER OVEN BOTTOM COVER                 | PCS  | 1      |
| 46 | 11561E11   | TFB21 INNER OVEN                                  | PCS  | 1      |
| 47 | 1202CP     | TFG-TFB IGNITION SUPPORT ELEMENT                  | PCS  | 1      |
| 48 | 12143T01   | TFG/B/U PLATE SUPPORT ELEMENT,RIGHT               | PCS  | 1      |
| 49 | 12144T01   | TFG/B/U PLATE SUPPORT ELEMENT,LEFT                | PCS  | 1      |
| 50 | 12259P     | TFG/B/R21 GRILL BURNER HEAT PROTECTOR             | PCS  | 1      |
| 51 | 12750H01   | HINGE RECEPTACLE LEFT BUSHING                     | PCS  | 1      |

|    |          |   |     |   |
|----|----------|---|-----|---|
| 52 | 12750H02 | HINGE RECEPTACLE RIGHT                          | PCS | 1 |
| 53 | 14560101 | CLIP  | PCS | 4 |
| 54 | 14560103 | CAPILLARY CLIP, T'STAT                          | PCS | 2 |
| 55 | 14560106 | MICRO SWITCH SPRING                             | PCS | 4 |
| 56 | 15051E11 | BROIL PAN/TRAY                                  | PCS | 1 |
| 57 | 15062E11 | BROIL GRID                                      | PCS | 1 |
| 58 | 15759S01 | TFB SPLASH PANEL (USA)                          | PCS | 1 |
| 59 | 16011075 | TFG21 INSTRUCTION MANUAL                        | PCS | 1 |
| 60 | 16011449 | TFB21 AVANTI INSTRUCTION MANUEL                 | PCS | 1 |
| 61 | 16097H69 | HOB TAP KNOB BAGALITE WHITE                     | PCS | 4 |
| 62 | 16614N   | KNOB OVEN BAGALITE WHITE                        | PCS | 1 |
| 63 | 17010147 | OVEN RACK TFB18                                 | PCS | 1 |
| 64 | 17020238 | TFB TWIN COOKING GRID                           | PCS | 2 |
| 65 | 17098E11 | MEDIUM BURNER COVER (AESTHETIC)                 | PCS | 2 |
| 66 | 17099E11 | SMALL BURNER COVER (AESTHETIC)                  | PCS | 1 |
| 67 | 17107E11 | BIG BURNER COVER                                | PCS | 1 |
| 68 | 17900N   | TFB21 AVANTI GAS DELIVERY PIPE                  | PCS | 1 |
| 69 | 17901N   | TFB AVANTI RIGHT FRONT BURNER GAS DELIVERY PIPE | PCS | 1 |
| 70 | 17902N   | TFB AVANTI RIGHT REAR BURNER GAS DELIVERY PIPE  | PCS | 1 |
| 71 | 17903N   | TFB AVANTI LEFT FRONT BURNER GAS DELIVERY PIPE  | PCS | 1 |
| 72 | 17904N   | TFB AVANTI LEFT REAR BURNER GAS DELIVERY PIPE   | PCS | 1 |
| 73 | 17910N   | TFB/G AVANTI OVEN BURNER GAS DELIVERY PIPE      | PCS | 1 |
| 74 | 17911N   | TFB/G AVANTI GRILL BURNER GAS DELIVERY PIPE     | PCS | 1 |
| 75 | 17994N   | TFB/G/R OVEN BURNER                             | PCS | 1 |
| 76 | 18010206 | TFB21 SPLASH PLINTH BACK COVER                  | PCS | 1 |
| 77 | 18020106 | TFG/R/U OVEN DOOR HINGE,RIGHT                   | PCS | 1 |
| 78 | 18020206 | TFG/R/U OVEN DOOR HINGE,LEFT                    | PCS | 1 |
| 79 | 27003H64 | TFG21 CABLE GROUP WITH CONNECTION BOX           | PCS | 1 |
| 80 | 55052108 | TERMINAL CONNECTION BOX                         | PCS | 1 |
| 81 | 60015408 | POWER SUPPLY CORD                               | PCS | 1 |
| 82 | 60064303 | TOA41 MICRO SWITCH                              | PCS | 4 |
| 83 | 61020336 | TFB/TFG/TFR 0.30 INJ. HOB TAP                   | PCS | 1 |
| 84 | 61020337 | TFB/TFG/TFR 0.39 INJ. HOB TAP                   | PCS | 2 |
| 85 | 61020338 | TFB/TFG/TFR 0.45 INJ. HOB TAP                   | PCS | 1 |
| 86 | 61021104 | TFG21 GAS REGULATOR                             | PCS | 1 |
| 87 | 61040603 | LOWER SEAL FOR TAP (TFG/B/S)                    | PCS | 4 |

g24aw-1