

Dual Remote Resistor-Programmable Temperature Switches

Features

- Dual Remote Temperature Switches Set by Thermistor and External Resistors
- Open-Drain Active Low Output Stage
- Guaranteed Output Signal Valid to $V_{CC} = 0.8V$
- SOT-23-8 Packages

Applications

- μP Temperature Monitoring in High-Speed Computers
- Temperature Control
- Temperature Alarms
- Fan Control
- Automotive

General Description

The G718 are fully integrated, resistor programmable dual remote temperature switches. The thresholds are set by external resistors and negative temperature coefficient thermistors. The G718 provides open-drain, active low over-temperature outputs for both sensors. These switches operate with a +2.7V to +5.5V single supply.

The G718 are available in 8-pin SOT-23 packages.

Ordering Information

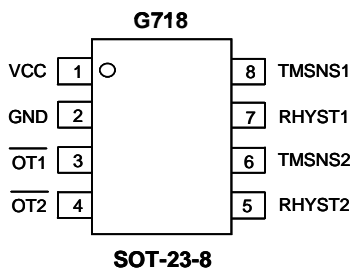
| ORDER NUMBER | MARKING | TEMP. RANGE | PACKAGE (Green) |
|--------------|---------|----------------|-----------------|
| G718TM1U | 718xx | -40°C to 125°C | SOT-23-8 |

Note: TM: SOT-23-8

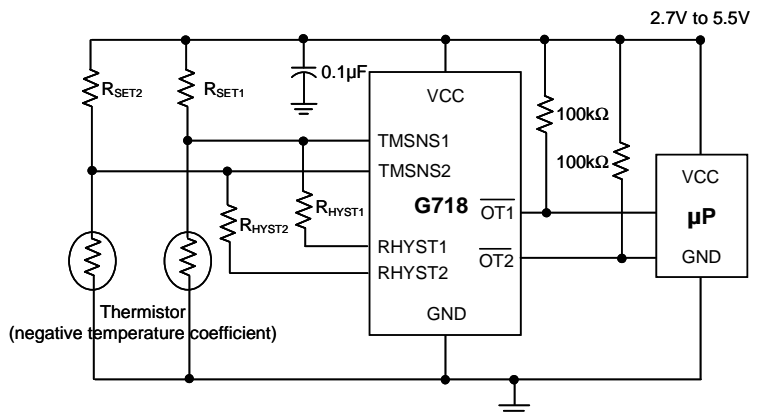
1: Bonding Code

U & D: Tape & Reel

Pin Configuration



Typical Application Circuit



www.s-manuals.com