



For questions or help with this product contact Tech Support at (570) 546-9663 or techsupport@grizzly.com

MODEL H5674 FIRE RESISTANT LARGE GUN SAFE INSTRUCTIONS

Specifications

- Three-number combination lock.
- Storage slots for eight rifles or shotguns.
- One interior cabinet with key lock.
- Four interior shelves, two adjustable.
- Rated at 1700° for 30 minutes.
- Overall dimensions: 27½"W x 18"D x 59"H.
- Shipping weight: 397 lbs.

Combination

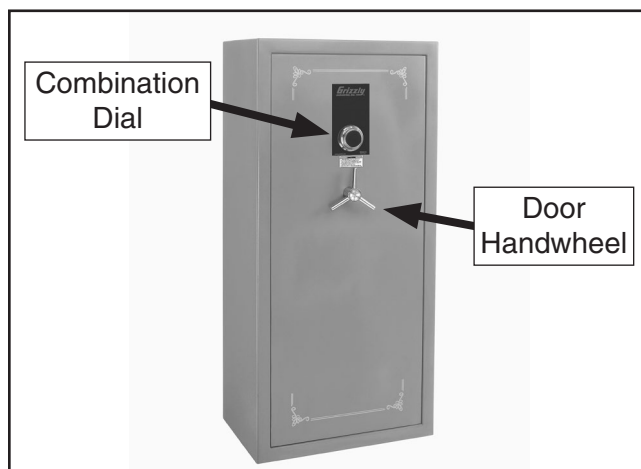
--	--	--

!WARNING

- **Never allow anyone to be locked inside safe—suffocation may occur!**
- **Do not climb or stand on safe—it could tip and cause serious personal injury.**
- **Anchor safe to floor (see back page) to prevent tipping or theft.**

To open your safe:

1. Rotate the combination dial clockwise at least four full revolutions, then stop on the first combination number.
2. Rotate the dial counterclockwise past the second combination number once, then stop on this number the second time.
3. Turn the dial clockwise and stop on the last combination number.
4. Turn the handwheel clockwise and pull the door open.



Model H5674 Large Gun Safe.

To lock your safe:

1. Close the door and turn the handwheel counterclockwise to engage the lock.
2. Rotate the combination dial at least two full revolutions in either direction to release the locking tumblers and prevent the handwheel unlocking the door.

NOTICE

Keep these instructions with the included combination in a separate secure location from the safe. Misplacing or forgetting the combination will render the safe unusable. Grizzly cannot replace lost combinations.

Maintenance

Clean the surfaces of the safe with a slightly damp cloth. If the hinges should develop a squeak, apply one or two drops of light machine oil to the hinge contact points.

COPYRIGHT © SEPTEMBER, 2003 BY GRIZZLY INDUSTRIAL, INC., REVISED MAY, 2013 (TR)

WARNING: NO PORTION OF THIS MANUAL MAY BE REPRODUCED IN ANY SHAPE OR FORM WITHOUT THE WRITTEN APPROVAL OF GRIZZLY INDUSTRIAL, INC.

#JT5654 PRINTED IN CHINA

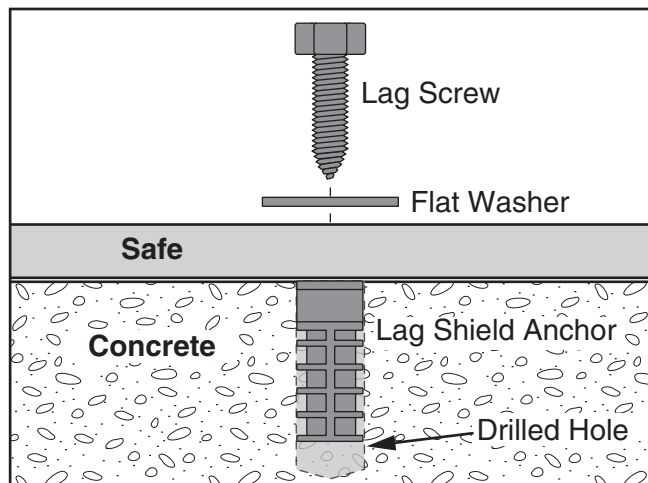
Anchoring Your Safe

Anchoring the safe to the floor reduces the risk of tipping and makes theft of the entire safe extremely difficult. The safe can be anchored to any surface, but wood and concrete are the most common.

Before anchoring the safe, all shelves and wall boards must be removed to expose the anchoring holes in the bottom of the safe. Holes can generally be drilled with the safe in-place, depending on the size and shape of the drill used.

Anchoring to Concrete Floors

Lag shield anchors are generally recommended because they mount flush with the floor and allow the safe to be bolted down with a lag screw and flat washer.



Installation of lag shield anchors requires you to drill holes into the concrete. Drilling into concrete properly requires a hammer drill with an appropriate sized concrete drill bit.

To ensure strong and successful anchoring to concrete:

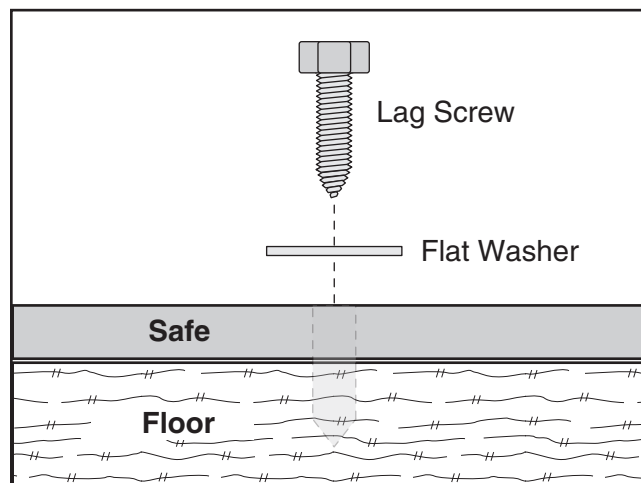
- Drill holes in one pass and avoid raising the bit up and down to clear the dust, which may cause the holes to be come slightly oversized.
- Drill holes $\frac{1}{2}$ "-1" deeper than the length of the lag shield to allow room for the bottom of the screw and any remaining dust.
- Vacuum dust from holes before installing lag shields.

!WARNING

Verify that floor area to be drilled is free of electrical wires, gas lines, water lines, sewer lines, etc. Drilling into these items unintentionally can cause electric shock, fire, or property damage.

Bolting to Wood Floors

Lag screws and flat washers are typically used to bolt safes to wood floors (or floors with a wood sub-floor).



Installation of lag screws works best if holes are pre-drilled to accommodate the lag screws. A standard handheld power drill with the appropriate-sized wood drill bit is required to complete the job.

To ensure strong and successful anchoring to wood:

- Pre-drill holes at the correct size for the lag screws. The correct pre-drill size is always smaller than the lag screw size. (For example, a $\frac{7}{32}$ " bit is used to pre-drill holes for a $\frac{3}{8}$ " lag screw.)
- Use at least a 2" long lag screw.
- For additional strength, fasten at least two of the screws into floor joists.

