

High Performance Marine Satellite Antenna Systems

Intellian® i2

**Simplicity of Design
equals
Reliability.**



Featuring

- Travel further north or south with extended elevation range 10° to 80°
- Stay locked on in rough seas, 60° per second turning rate
- Compatible with leading satellite TV service providers
- Smaller size with bigger performance
- Simplicity of design, no fragile compass and no rate sensors
- Switch channels as fast as you do at home
- Built-in HD module for Ku-band
- Compatible with Intellian MIM for automatic satellite switching of all DISH Network and Bell TV channels



Intellian®

Experience the innovation.



Intellian Technologies USA, Inc. • Irvine, CA • 949-727-4498 • intelliantech.com

© 2010 Intellian Technologies, Inc. All rights reserved. Intellian and i2 are trademarks of Intellian Technologies, Inc. All other trademarks are the property of their respective owners.

Intellian® i2

Simplicity of Design equals Reliability.

Intellian® i2 delivers nationwide satellite reception, Ku-band HD TV capabilities, 10° to 80° elevation range, and stable performance.

Fully Automated System

Automatic satellite search and identification
2-axis step motors for manipulating the pedestal

Enhanced Antenna

High efficiency parabolic antenna RHCP / LHCP for US & Canada
Vertical / Horizontal polarization for Sky Mexico and Europe

Compact Size

13 inch antenna dish diameter and an antenna weighs less than 10 pounds

Fastest Search Algorithm

Wide Range Search(WRS) algorithm

Superior Dynamic Tracking

Dynamic Beam Tilting (DBT) by rotating sub-reflector

DVB Signal Identification

High speed identification applying DVB Decoder with CPLD
QPSK Demodulator Lock for DSS Signal

New Type Antenna Control Unit

Easy satellite information change and update
Easy antenna status check and automatic diagnosis
Easy antenna control using PC interface with USB cable
Built-in HD module for Ku-band HD reception

Maximum 6 Receivers USB Interface

Up to six receivers can be connected to ACU directly which simplifies the installation
Every receiver connected to ACU can be a master receiver which can change the satellite freely by TV remote control

Master Receiver Selection

Only the master receivers which are activated through ACU can change the target satellite

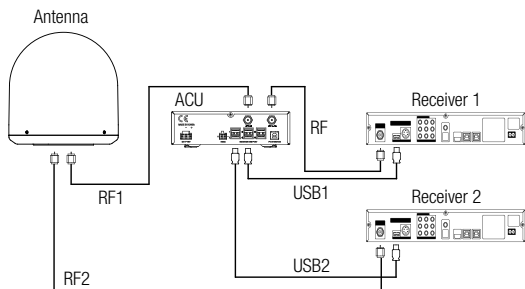
Built-in NMEA 0183 GPS Interface

Easy Interface allowing a boat owner to have a separate GPS system can provide even higher performance

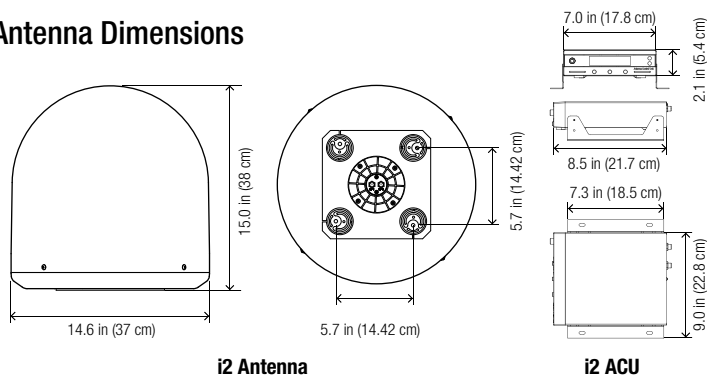
Technical Specifications

Part #	Specifications
B2-206S	Intellian i2 Satellite TV Antenna System (US)
B2-206U	Intellian i2 Satellite TV Antenna System (Europe)
Physical	
Radome Height	15.0 in (38 cm)
Radome Diameter	14.6 in (37 cm)
Antenna Dish Diameter	13.0 in (33 cm)
Weight	9.5 lbs (4.5 kg)
Environmental	
Operating Temp. Range	-5° F ~ 130° F (-15° C ~ 55° C)
Storage Temp. Range	-13° F ~ 158° F (-25° C ~ 70° C)
Water Ingress	IPX6
Approvals	CE / FCC
Warranty	3 Years Parts and 1 Year Labor
Performance	
Reception Frequency	Ku-band (10.7~ 12.75 GHz)
Polarization	RHCP / LHCP, Vertical / Horizontal
Minimum EIRP	51 dBW
Azimuth Range	680°
Elevation Range	10° to 80°
Ship's Motion	Roll ±25°, Pitch ±15°
Roll & Pitch Response Rate	60° / Second
Turn Rate	60° / Second
RF Output	Dual Output
Antenna Control Unit	
Dimensions (W x D x H)	7.0 in x 8.5 in x 2.1 in (17.8 cm x 21.7 cm x 5.4 cm)
Weight	2.6 lbs (1.2 kg)
Display	2 Line 20 Character VFD Module
Control Key	5 Integrated Push Buttons
Power Input	9 ~ 30 VDC (Typ. 30 W, Max. 50 W)
Receiver Interface	6 USB Ports (USB A Type)

System Diagram



Antenna Dimensions



Intellian®

Americas
Intellian Technologies USA, Inc.
9004 Research Drive
Irvine, CA 92618, USA

Tel +1-949-727-4498
Toll Free +1-888-201-9223
Fax +1-949-271-4183
Email info@intelliantech.com

Europe
Intellian B.V.
Bristolstraat 1, 3047AB
Rotterdam, Netherlands

Tel +31-1-0820-8655
Fax +31-1-0820-8656
Email info@intelliantech.com

MEA & APAC
Intellian Technologies, Inc.
2F Dongik Bldg., 98, Nonhyun-dong,
Kangnam-gu, Seoul 135-010, Korea

Tel +82-2-511-2244
Fax +82-2-511-2235
Email info@intelliantech.com

ISO 9001 Certified
For more info, visit intelliantech.com