



Once you've set up your iBook, followed the onscreen guide to set up an Internet account and e-mail address, and connected for the first time, what's next? In this booklet you will find more information to help you get the most out of your iBook:

- 2 Features of your iBook
- 4 Basics
- 6 Internet and e-mail
- 12 Software
- 16 Expanding your iBook
- 20 Learning more and solving problems
- 24 Ergonomic and safety information



What can my iBook do?

Your computer has these built-in features:

Optional wireless Internet and networking

Using the optional AirPort Card, you can connect to the Internet, send and receive e-mail, share files, play network games, and more.

Sound and brightness controls

Adjust sound volume and screen brightness directly using your keyboard.

Integrated handle

Fold out this handle when you want to take your computer on the go.



Hot function keys

Set the keyboard function keys to automatically open your Web browser, e-mail application, or other favorite application.

Battery charging indicator

When the power adapter is plugged in, the light glows amber while the battery is charging and green when it is fully charged.

CD-ROM drive

Install software, use applications, and listen to music CDs.



 **Modem**

Connect to the Internet, browse the World Wide Web, and send and receive electronic mail.

 **Ethernet**

Share files with another computer or access a computer network.

 **USB**

Connect printers, Zip and other disk drives, digital cameras, joysticks, and more.

 **Power button**

Turn your computer on and put it to sleep.

Keyboard release tabs

Slide the tabs toward you, then lift up the keyboard and flip it over to access the memory and AirPort Card slots.

 **Headphone port**

Connect headphones or external powered speakers.

What are the basics?

The Macintosh desktop is the starting place for all the things you do with your computer.

Apple menu
To see the menu, click the apple (🍏) in the menu bar.

Application menu
Look here to see what application you are using or switch between open applications.

Browse the Internet
Double-click this icon to open your World Wide Web browser.

Mail
Double-click this icon to open your e-mail application.

Remote Access
Use the Control Strip to quickly connect and disconnect from the Internet.

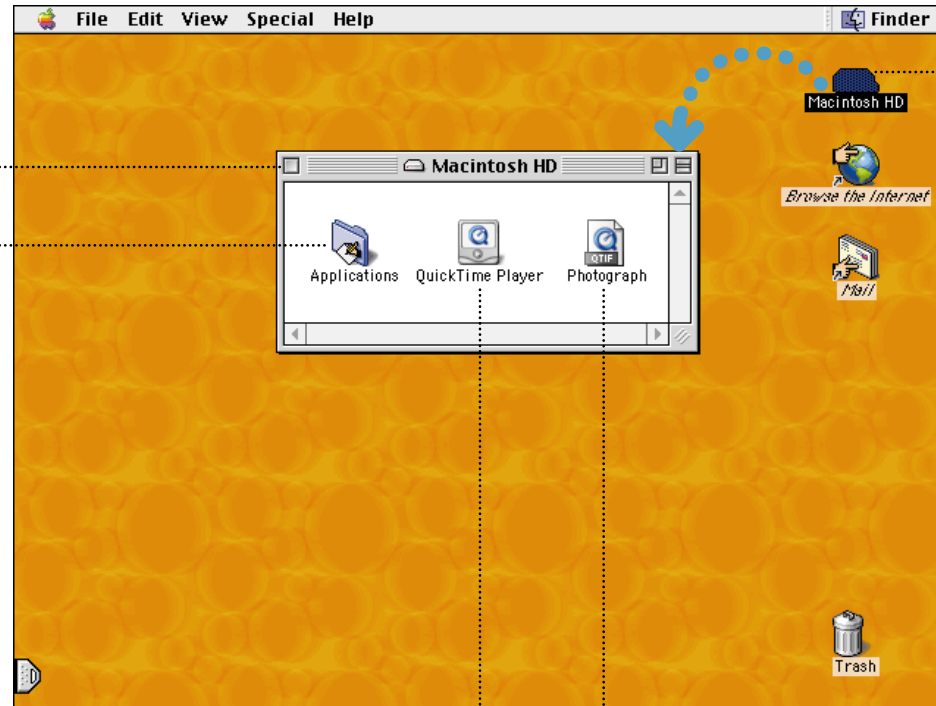
The screenshot shows a classic Mac OS desktop with a yellow background. The menu bar at the top contains 'File', 'Edit', 'View', 'Special', and 'Help'. The 'Apple menu' is open, displaying a list of system utilities and folders. The desktop features icons for 'Macintosh HD', 'Browse the Internet', 'Mail', and 'Trash'. A 'Remote Access' control strip is visible in the bottom right corner of the desktop area.

Window close box

Click this to close the window.

Folder

Folders help organize your files and programs. Double-click (click two times quickly) the folder to open it.



Hard disk

All of your files and applications are kept here. Double-click the icon to open it.

Application

Software programs (such as a word processor) that you use with your computer. Double-click the icon to open the application.

Document

Files that you create with an application (such as a letter you created with your word processor). Double-click the icon to open the file and the application used to create it.

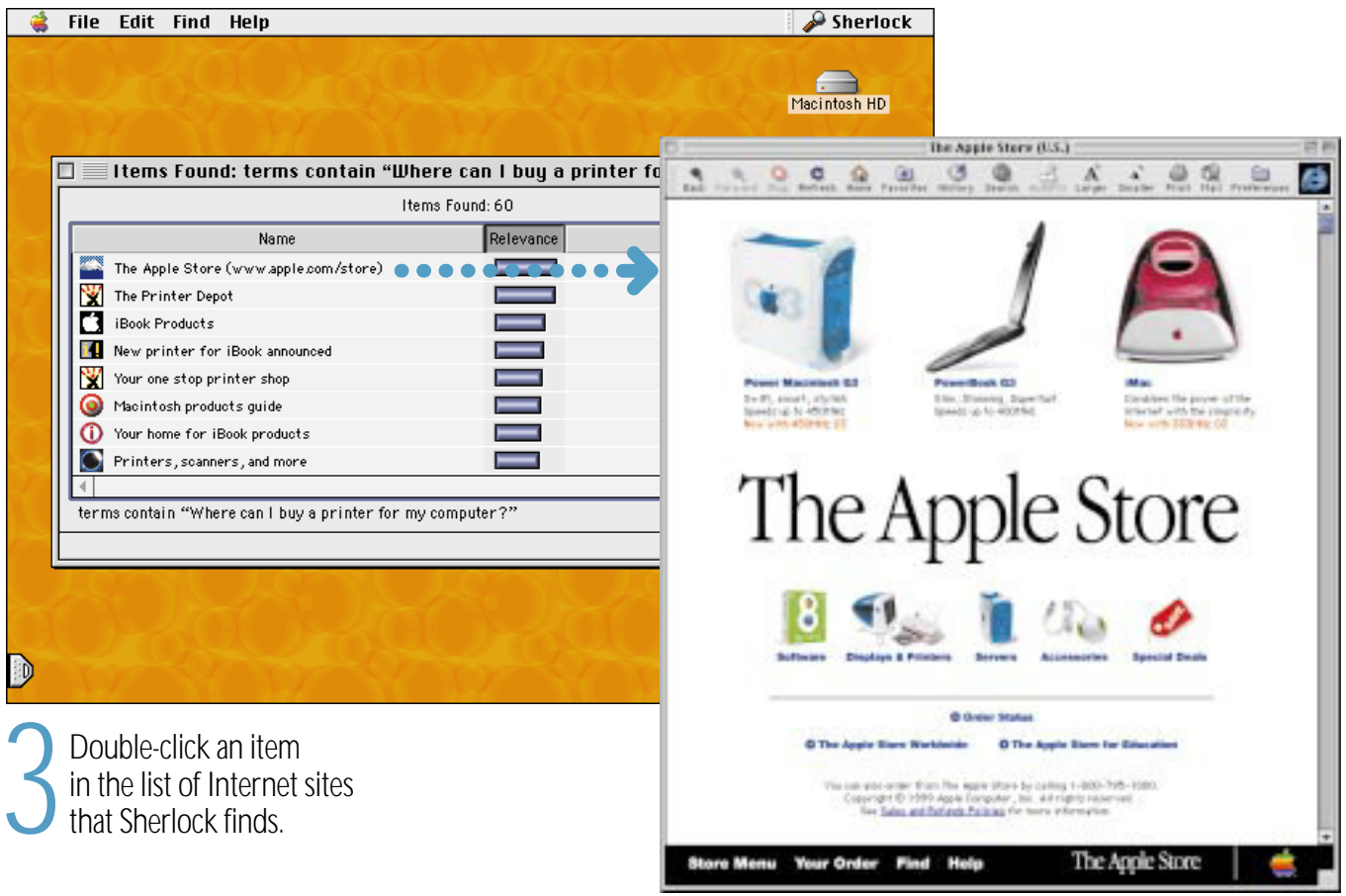
How do I find something on the Internet?

Use Sherlock to quickly search the Internet.

The image shows a Mac OS X desktop environment. The Finder window is open, displaying the 'About This Computer' sidebar on the left. The 'Sherlock' application is highlighted in the sidebar. A blue arrow points from the 'Sherlock' icon in the sidebar to the top Sherlock window. The top Sherlock window has the 'Search Internet' tab selected, and a blue arrow points from the 'Search Internet' tab to the bottom Sherlock window. The bottom Sherlock window shows the search query 'Where can I buy a printer for my computer?' and a list of search sites with checkboxes next to them.

2 Type what you want to find and click Search.

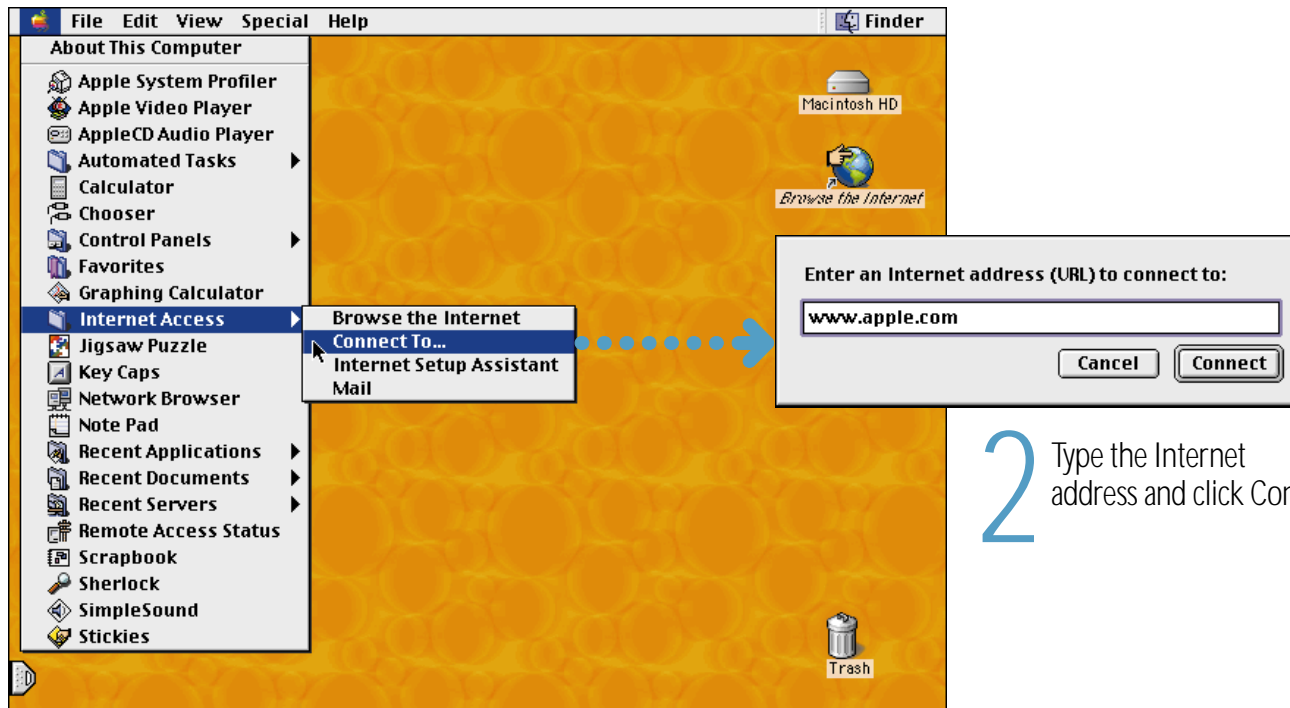
1 Open the Apple (🍏) menu and choose Sherlock. Then click the Search Internet tab.



3 Double-click an item in the list of Internet sites that Sherlock finds.

How do I go to a place on the Internet?

All you need to know is the Internet address.



2 Type the Internet address and click Connect.

1 Open the Apple (🍏) menu and choose Internet Access, then choose Connect To.

Information on these Apple Web sites will help you get the most out of your computer.

► From these Web sites you can quickly link to other Apple Web sites around the world.



www.apple.com/ibook
News and information specifically for iBook users.



www.apple.com/guide
Find out about over 12,000 hardware and software products available for the Macintosh.



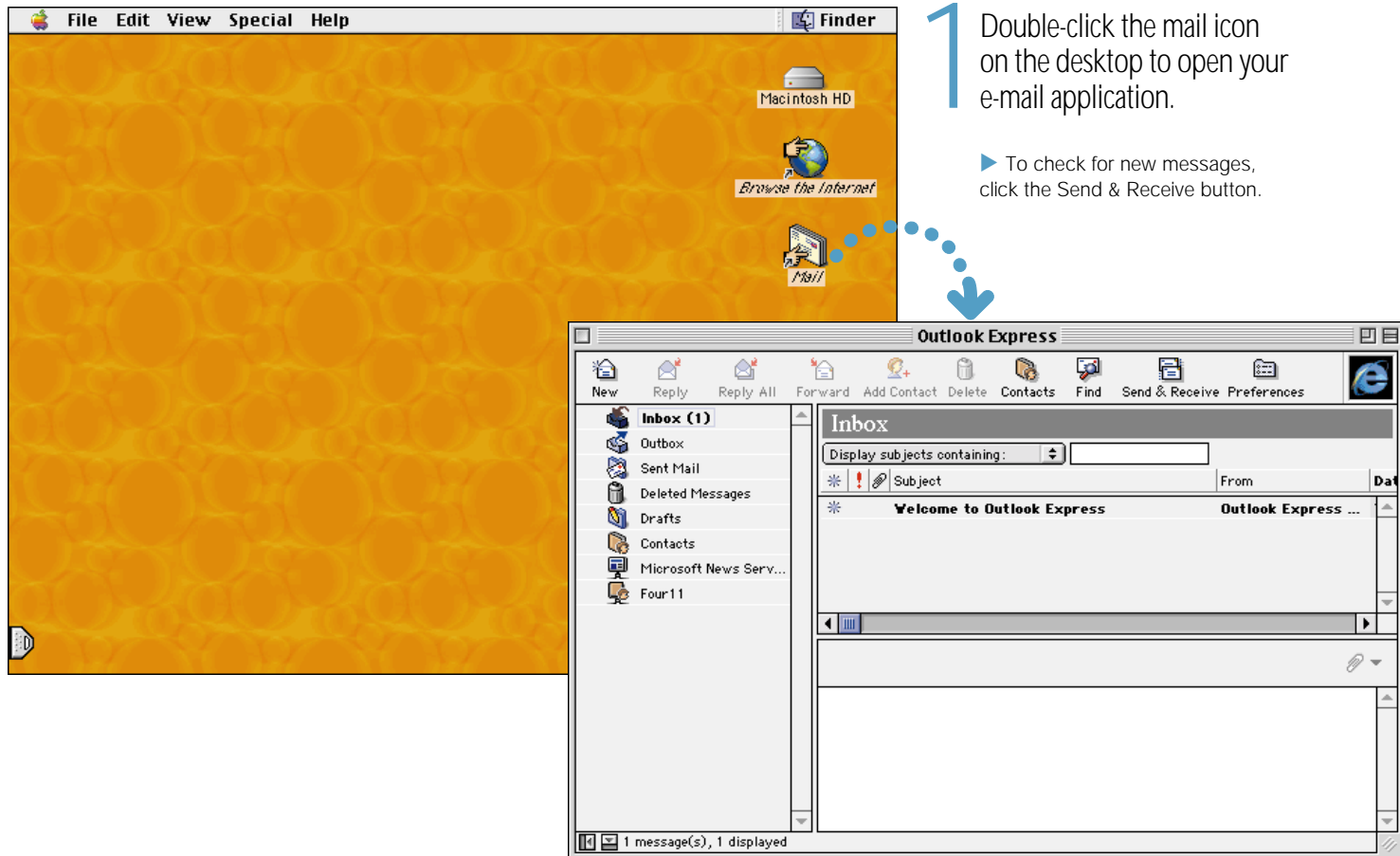
www.apple.com/store
The latest Apple hardware, software, and accessories.



www.apple.com/support
Visit here for product support, software updates, and technical information.

How do I use e-mail?

Follow these steps to create and send a message:

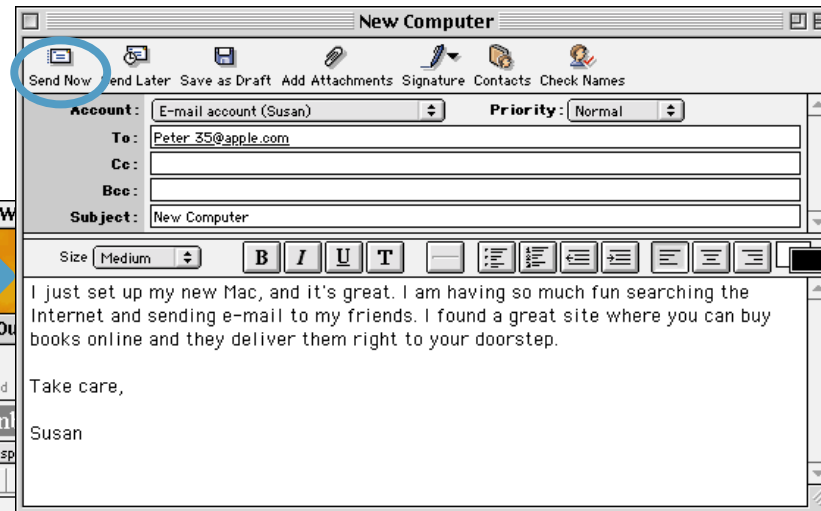
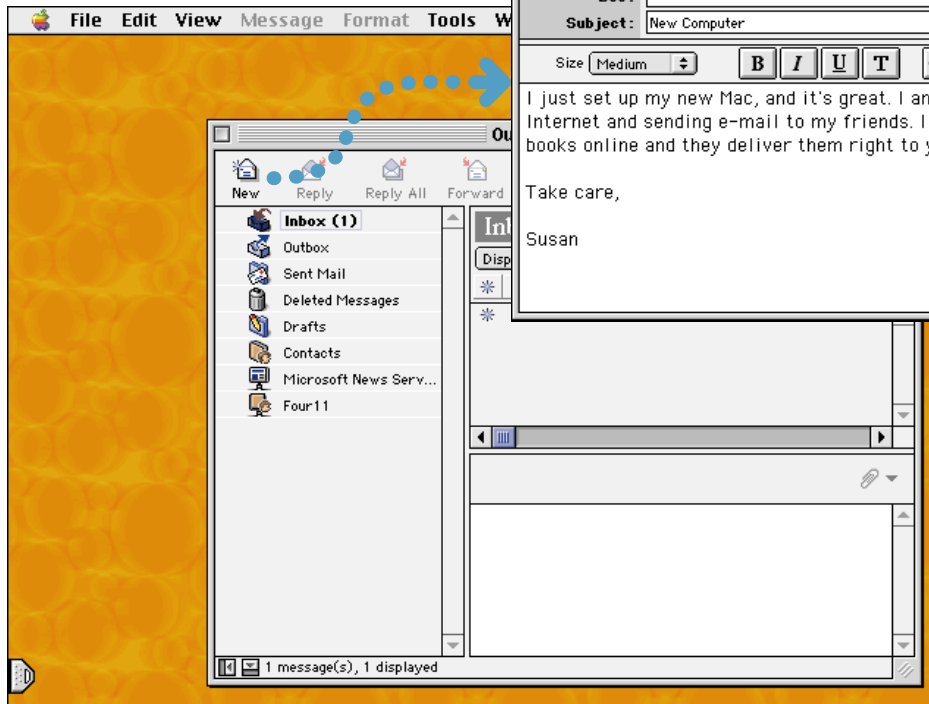


1 Double-click the mail icon on the desktop to open your e-mail application.

▶ To check for new messages, click the Send & Receive button.

The image shows a Mac OS desktop with a yellow textured background. A Finder window is open, displaying icons for 'Macintosh HD', 'Browse the Internet', and 'Mail'. A blue arrow points from the 'Mail' icon to the Outlook Express window. The Outlook Express window shows the 'Inbox' with a message titled 'Welcome to Outlook Express'.

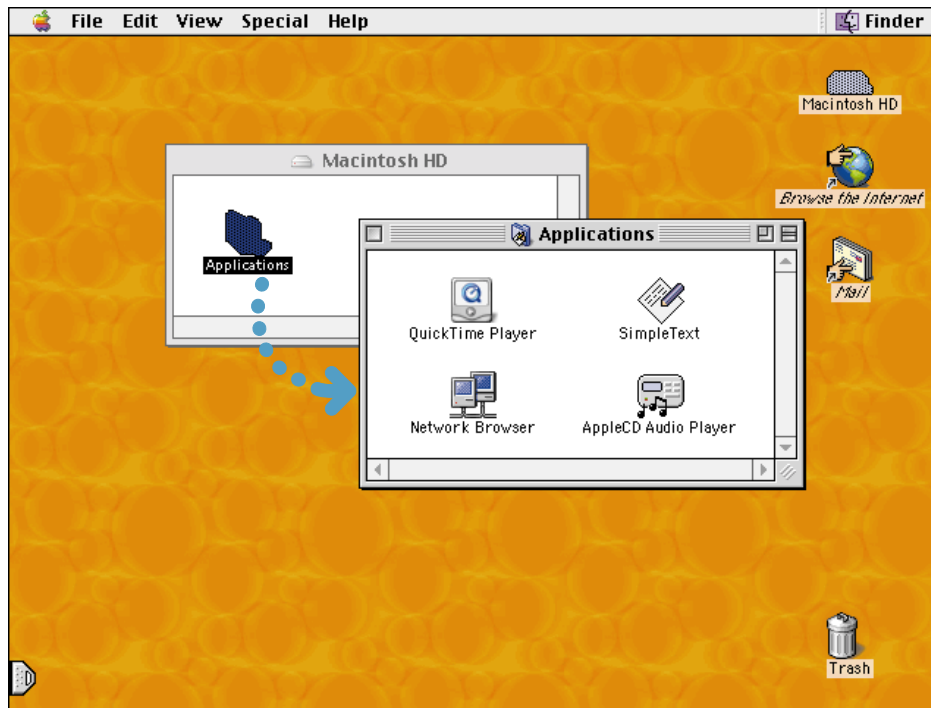
2 To start a new e-mail message, click the New button.



3 Type the e-mail address and message, then click Send Now.

What about software?

Your computer comes with some software already installed, including AppleWorks.



1 Open the Applications folder on your hard disk.

2 Double-click the application you want to open.

- ▶ The CDs that came with your computer contain additional software that you may need to install separately.
- ▶ Some applications may require that you insert the CD in order to use them.

You can use AppleWorks for writing, drawing, painting and much more.

Sophisticated layout capabilities

Add photos, tables, charts, and sidebars. Link text frames, layer graphics, and wrap text like a pro.

Extensive clip art libraries

Easily add compelling graphics and photos to your document.

State-of-the-art word processing

Enjoy everything from a built-in thesaurus to automatic hyphenation.

Hypertext linking

Create hypertext links within or between documents, and even link to the Web.

Butterfly Society News

Butterflies return to Monterey

Culus adventus ipso atque nomine, uosque vos tamen illi ad maritimum bellum uenerit, tamen magis impetus hostium repressos esse intellegunt ac retardatos. His ille vos, quoniam libere loqui non licet, tacite rogant, ut se neque quoque, sicut ceterarum provinciarum socios, dignos ille existimetis, quorum salutem tali viro commendatis: atque hoc etiam magis, quod ceteros in provinciam eius modi

Culus adventus ipso atque nomine, tamen illi ad maritimum bellum uenerit, tamen impetus hostium repressos esse intellegunt ac retardatos. His vos, quoniam libere loqui non licet, tacite rogant, ut se quoque, sicut ceterarum provinciarum socios, dignos existimetis, quorum salutem tali viro commendatis: atque hoc etiam magis, quod ceteros in provinciam eius modi homines cum imperio mittimus, ut etiam veste diluet si ab hoste defendant, tamen ipsorum adventus in sociorum non multum ab hostili expugnatione diffe.

Nam in ceteris rebus cum venit calamitas, tum adventus dot detrimentum accipitur: at in vestigalibus non solum ut adventus mali, sed etiam melius ipse adfert venit calamitatem. Nam cum hostium coplace non longe absunt, etiam si inrupto nulla facta est, tamen

Culus adventus ipso atque nomine, tamen illi ad maritimum bellum uenerit, tamen impetus hostium repressos esse intellegunt ac retardatos. His vos, quoniam libere loqui non licet, tacite rogant, ut se quoque, sicut ceterarum provinciarum socios, dignos existimetis, quorum salutem tali viro commendatis: atque hoc etiam magis, quod ceteros in provinciam eius modi homines cum imperio mittimus, ut etiam veste diluet si ab hoste defendant, tamen ipsorum adventus in sociorum non multum ab hostili expugnatione diffe.

Nam in ceteris rebus cum venit calamitas, tum adventus dot detrimentum accipitur: at in vestigalibus non solum ut adventus mali, sed etiam melius ipse adfert venit calamitatem. Nam cum hostium coplace non longe absunt, etiam si inrupto nulla facta est, tamen

Vident et sentiant hoc idem quod vos, — unum virum esse, in quo summa sint omnia, et eum propter esse, quo etiam carent aegrius: culus adventus ipso atque nomine, tamen illi ad maritimum bellum uenerit, tamen impetus hostium repressos esse intellegunt ac retardatos. His vos, quoniam libere loqui non licet, tacite rogant, ut se quoque, sicut ceterarum provinciarum socios, dignos existimetis, quorum salutem tali viro commendatis: atque hoc etiam magis, quod ceteros in provinciam eius modi homines cum imperio mittimus, ut conservantis non solum (ut ante dixi) calamitate, sed etiam calamitatis

	Monarch	Viceroy	Satyr
March	304	178	254
April	78	39	75
May	140	315	266
June	148	253	316
July	234	208	310
August	261	291	336
Sub-total	1265	1284	1557
Total			4106

Butterfly Counts

100 Page 1

Customizable templates

Choose from a wide range of pre-designed document types and modify them as needed.

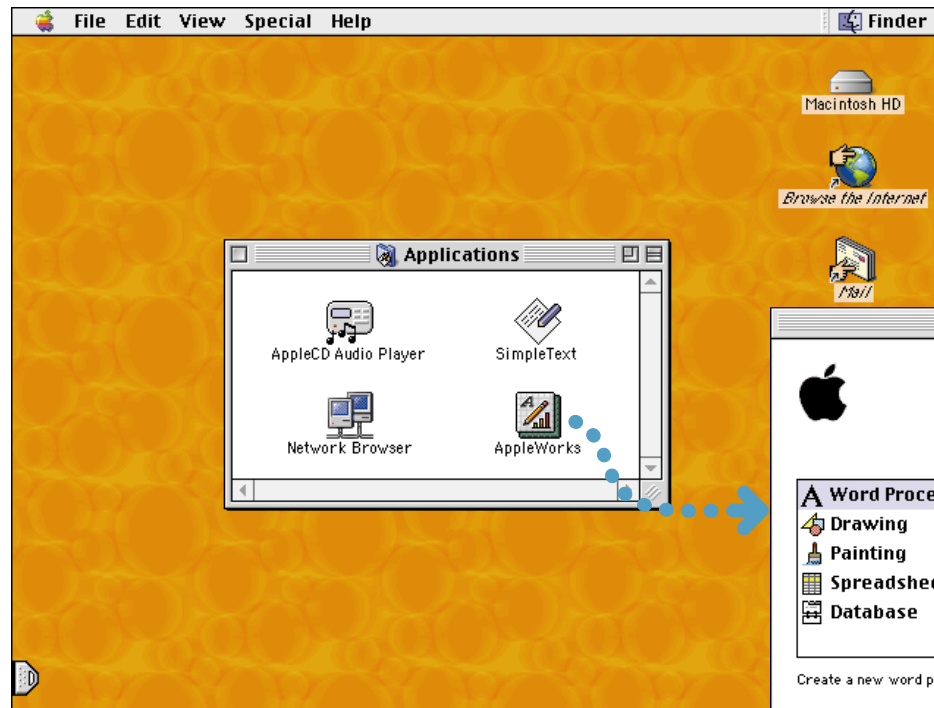
Powerful spreadsheet functionality

Compute data easily using over 100 built-in functions, then use advanced formatting options to make your data really stand out.

Professional charts and graphs

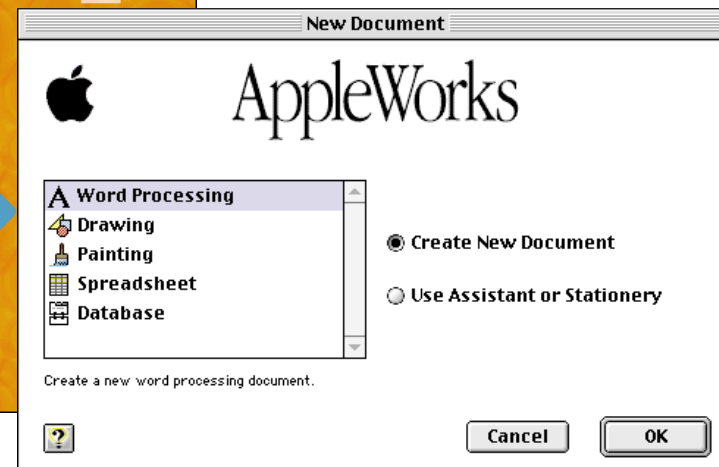
Create great-looking line, bar, and pie charts with ease.

To get started using AppleWorks:



1 Double-click the AppleWorks icon to open the application.

▶ If asked for an AppleWorks serial number, enter your computer's serial number, located on the label on the bottom of your computer.

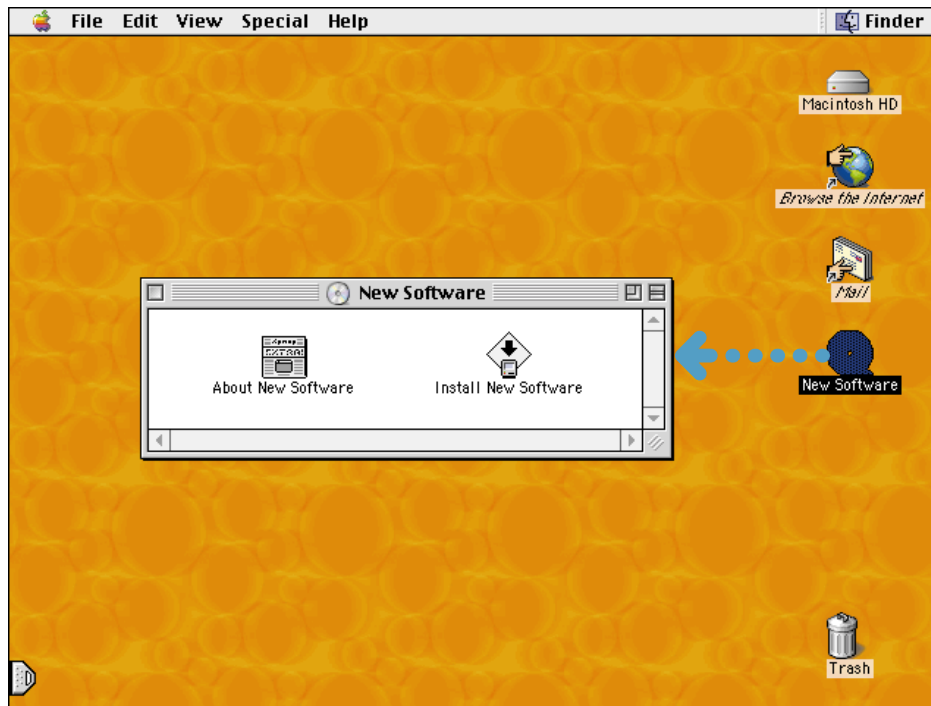


2 Select the type of document you want to create.

To learn more about AppleWorks, look

- at the AppleWorks electronic manual (on your hard disk in the AppleWorks folder)
- at the AppleWorks information in the Help menu
- on the AppleWorks Web site (www.apple.com/appleworks)

To add new software, use the CD-ROM drive.



1 With the computer turned on, press the drive button, pull the tray open, insert the disc, and close the tray.

► Place the disc on the tray and then align the hole in the disc directly over the round clip in the center of the drive. Press down until you feel the disc snap into place.

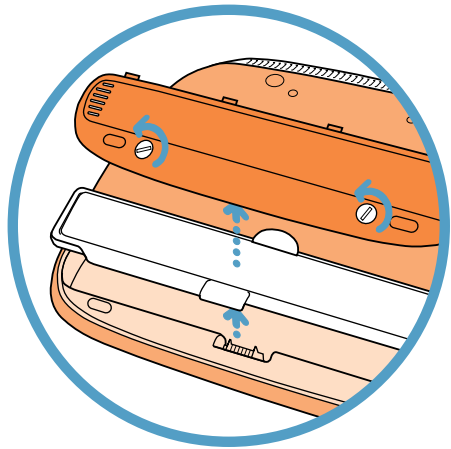
2 Double-click the installation application to copy the new software to your computer.

3 When you want to eject the CD, drag the disc icon to the Trash.

How do I expand my iBook?

Install an AirPort Card for wireless Internet and network access.

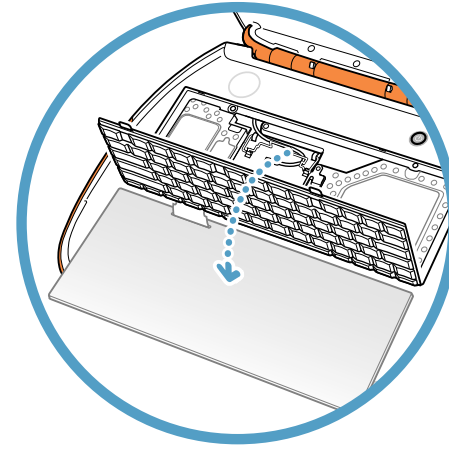
► For instructions on using the AirPort software, look in Mac Help, available in the Help menu.



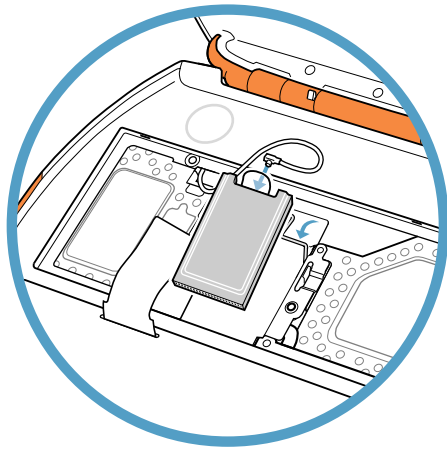
1 Shut down your computer, then disconnect the power adapter and phone cord. Turn the computer over and remove the battery.



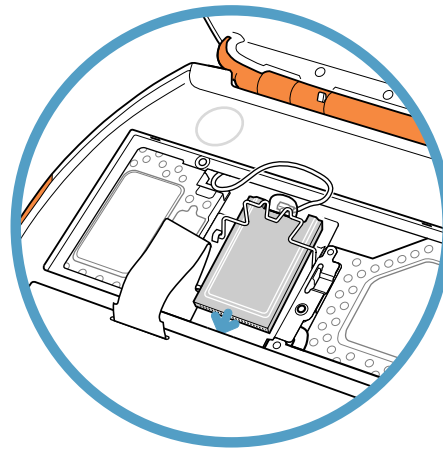
2 Release the keyboard by sliding the two plastic tabs away from the display.



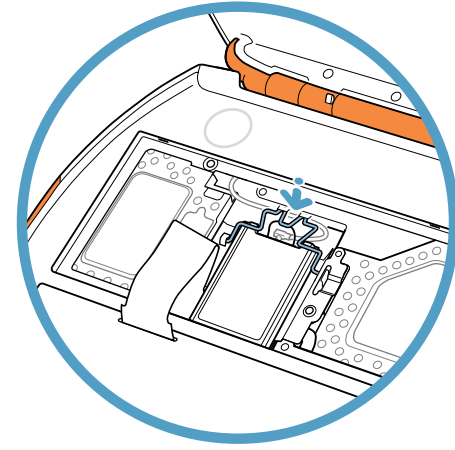
3 Lift up the keyboard, flip it over, and lay it on the palm rests and trackpad. Touch a metal surface inside the computer.



4 Flip up the wire bracket and connect the end of the antenna to the AirPort Card.



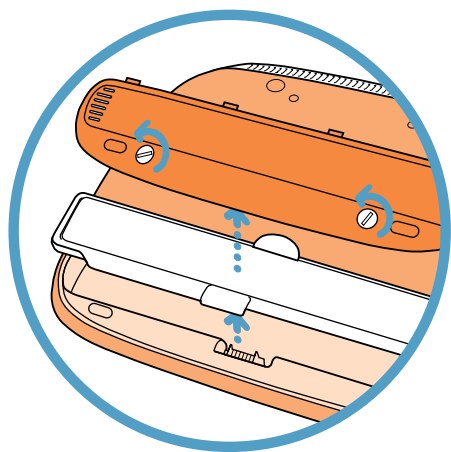
5 Slide the AirPort Card (with the AirPort ID number facing up) between the guides, under the wire bracket, and into the slot under the top edge of the trackpad.



6 Press the wire bracket down to secure the card, then replace the keyboard and battery.

Add an additional 32, 64, or 128 MB of memory.

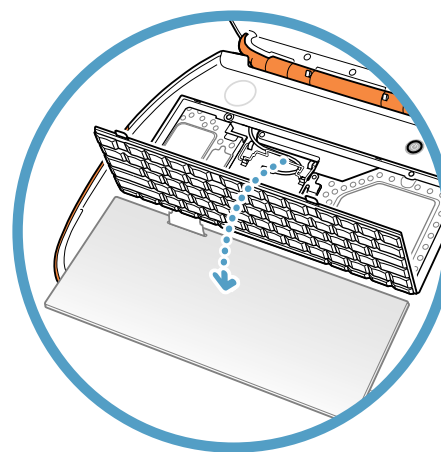
► Your iBook has one expansion slot that accepts a 1.25-inch (or shorter), 144-pin, SO-DIMM RAM. For more information on installing memory, look in Mac Help, available in the Help menu.



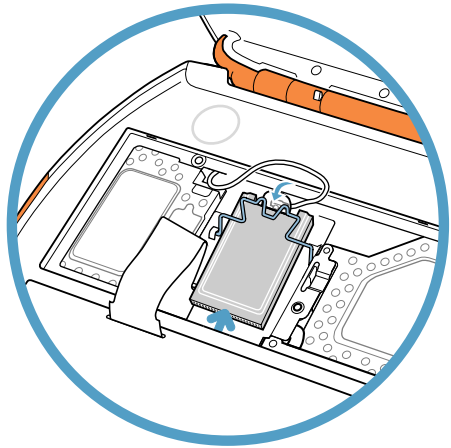
1 Shut down your computer, then disconnect the power adapter and phone cord. Turn the computer over and remove the battery.



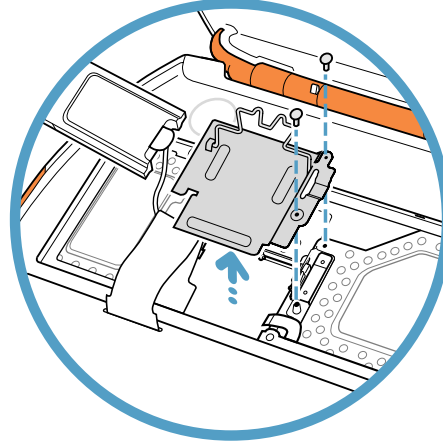
2 Release the keyboard by sliding the two plastic tabs away from the display.



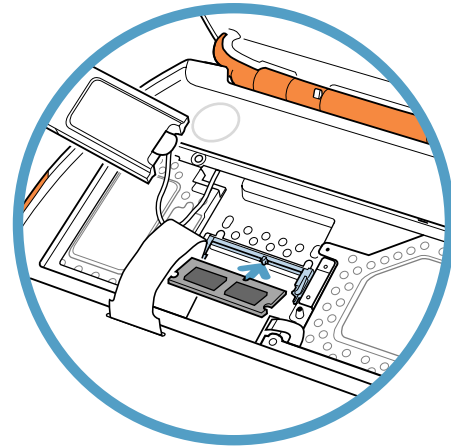
3 Lift up the keyboard, flip it over, and lay it on the palm rests and trackpad. Touch a metal surface inside the computer.



4 If necessary, flip up the wire bracket and remove the AirPort Card.



5 Remove the two screws that secure the RAM shield, then carefully lift it out.

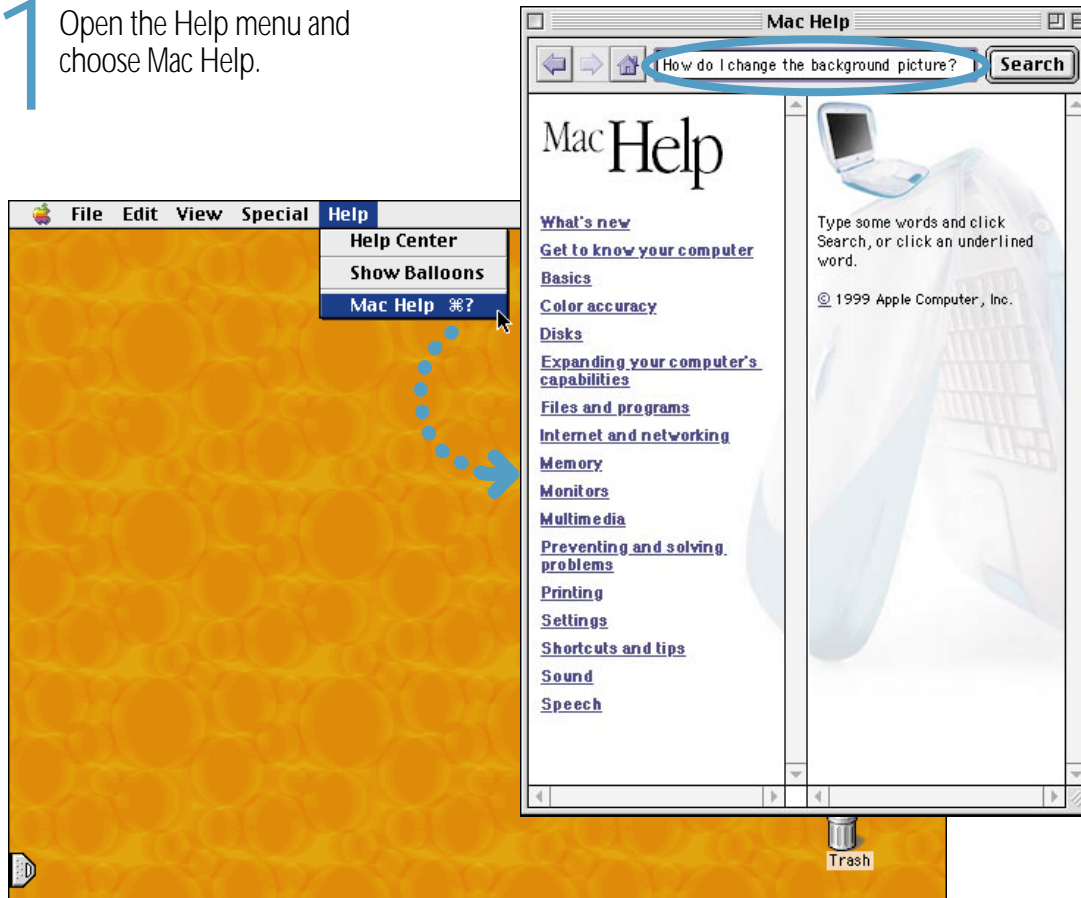


6 Insert the RAM into the slot at an angle and press down to lock it in place. Replace the RAM shield, AirPort Card (if necessary), keyboard, and battery.

Where do I go to learn more?

Look in Mac Help for more information on using your computer.

- 1 Open the Help menu and choose Mac Help.

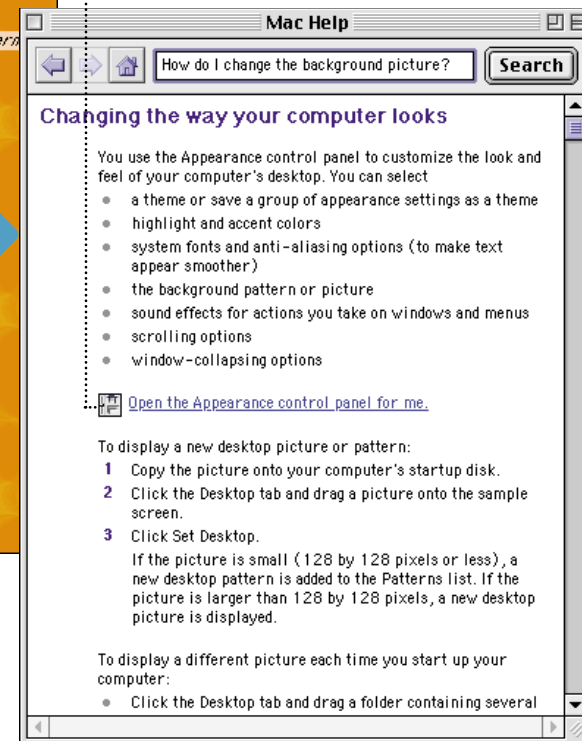


- 2 Type what you want to do and click Search.

- ▶ You can also browse through information about your computer by clicking one of the blue underlined items in the window.
- ▶ If you want to look at all of the Help available for your computer, choose Help Center from the Help menu.



▶ Underlined items are links. When you click a link, it will go to another Help topic, automatically do something for you, or take you to more information on the Internet.



3 Click an item in the list of available Help topics.

▶ If you didn't find what you were looking for, reword your question.

What if I have a problem?

If the computer won't respond or the pointer won't move:

Try to cancel what the computer is doing.

- Press the Command (⌘) and period (.) keys at the same time.
- If that doesn't work, hold down the Option and Command (⌘) keys and then press the Esc key.

If the computer still doesn't respond, restart it.

- Press and hold the Power button for several seconds.
- If that doesn't work, hold down the Control and Command (⌘) keys and then press the Power button.
- If that doesn't work, press the internal reset button (marked with the ◀ icon) by inserting the end of a paper clip into the small hole above the Power button, wait a few seconds, and then press the Power button.

Then do this:

If the problem occurs when you use a certain application:

- Check with the application's manufacturer to see if it is compatible with your computer.

If the problem occurs frequently:

- Open the Help menu and choose Mac Help. Look at the section on how to prevent and solve problems. You may need to check for extension conflicts or reinstall your computer's system software.

If the computer "freezes" during startup or you see a flashing question mark:

Turn off system extensions.

- Start up your computer while holding down the Shift key.

If that does not work, start up using the system software CD.

- Insert your system software CD and start up while holding down the C key. (Make sure the Caps Lock key is not engaged.)

Then do this:

After the computer starts up, see the troubleshooting information in the onscreen help.

- Open the Help menu and choose Mac Help. Look at the section on how to prevent and solve problems. You may need to check for extension conflicts or reinstall your computer's system software.

If you notice that the background picture is different:

- You started your computer using the system software on your CD instead of your hard disk. If this is the only way that you can get your computer started, then you probably need to reinstall the system software on your hard disk. Look for instructions in Mac Help or look for the system software installation program on your CD.

If the computer won't turn on or start up:

Make sure the power adapter is plugged into the computer and into a functioning power outlet.

- Your battery may need to be recharged. You should see an amber light around the power adapter connector when it is plugged in and the battery is charging.

If that does not work, reset the computer's memory.

- Start up the computer and immediately hold down the Command (⌘), Option, P, and R keys until you hear the startup sound a second time.

If that does not work or if you hear a strange sound during startup:

- If you recently installed additional memory, make sure that it is correctly installed. Try removing the memory; if the computer starts up normally, the memory is not compatible with your computer.
- If that doesn't work, press the internal reset button (marked with the ◀ icon) by inserting the end of a paper clip into the small hole above the Power button, wait a few seconds, and then press the Power button.
- Contact an Apple-authorized service provider.

Other problems:

If you have a problem with your Internet connection:

- Make sure the telephone line is connected and the line is functioning properly.
- Open the Help menu and choose Mac Help. There you can find how to locate your Internet settings and the contact information for your Internet service provider.

If you have a problem connecting other devices:

- Make sure that the device is properly connected. Try unplugging and plugging in the device again.
- Check to see if the device requires any software that needs to be installed.
- If that doesn't work, contact the device manufacturer.
- If you have an older device you want to connect, see Mac Help for information on connecting older devices to your computer.

If you have a problem with an application:

- For problems with software, contact the individual software manufacturer.

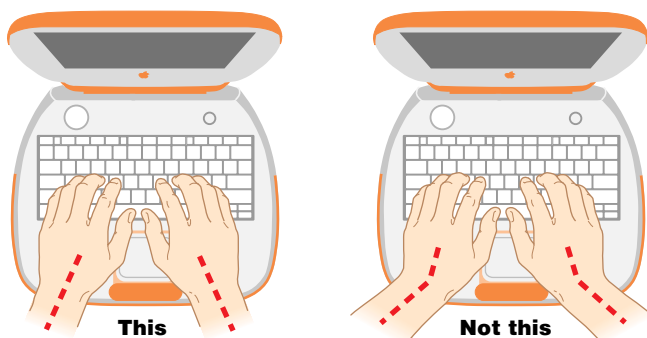
If you have a problem using your computer:

- Look at the information in Mac Help for instructions and troubleshooting information.
- Go to the Apple Support Web site on the Internet (www.apple.com/support) for the latest troubleshooting information and software updates.

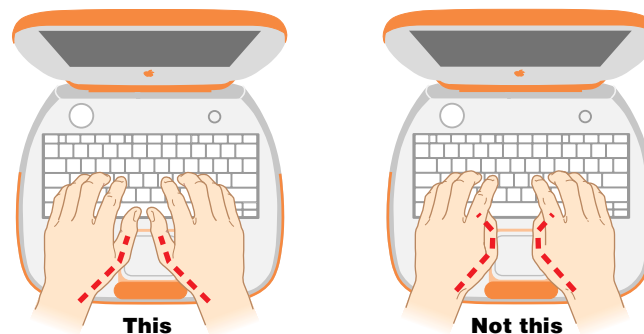
How do I work comfortably?

Keyboard and trackpad

When you use the keyboard and trackpad, your shoulders should be relaxed. Your upper arm and forearm should form an angle that is slightly greater than a right angle, with your wrist and hand in roughly a straight line.



Use a light touch when typing or using the trackpad and keep your hands and fingers relaxed. Avoid rolling your thumbs under your palms.



Change hand positions often to avoid fatigue. Some computer users may develop discomfort in their hands, wrists, or arms after intensive work without breaks. If you begin to develop chronic pain or discomfort in your hands, wrists, or arms, consult a qualified health specialist.

Chair

An adjustable chair that provides firm, comfortable support is best. Adjust the height of the chair so your thighs are horizontal and your feet flat on the floor. The back of the chair should support your lower back (lumbar region). Follow the manufacturer's instructions for adjusting the backrest to fit your body properly.

You may have to raise your chair so your forearms and hands are at the proper angle to the keyboard. If this makes it impossible to rest your feet flat on the floor, you can use a footrest with adjustable height and tilt to make up for any gap between the floor and your feet. Or you may lower the desktop to eliminate the need for a footrest. Another option is to use a desk with a keyboard tray that's lower than the regular work surface.

External mouse

If you use an external mouse, position the mouse at the same height as your keyboard and within a comfortable reach.

Built-in display

Adjust the angle of the display to minimize glare and reflections from overhead lights and windows.

You can adjust the brightness of the screen when you take the computer from one work location to another, if the lighting in your work area changes.

Is there anything else I need to know?

Follow these instructions for using your computer safely and wisely:

When setting up and using your computer, remember the following:

- Read all the installation instructions carefully before you plug your computer into a wall socket.
 - Keep these instructions handy for reference by you and others.
 - Follow all instructions and warnings dealing with your system.
 - Use only the power adapter that came with your computer. Adapters for other electronic devices may look similar, but they may damage your computer.
 - If your power adapter came equipped with a three-wire grounding plug (a plug that has a third grounding pin), then this plug will fit only a grounded AC outlet. If you are unable to insert the plug into the outlet because the outlet is not grounded, contact a licensed electrician to replace the outlet with a properly grounded outlet. Do not defeat the purpose of the grounding plug!
 - Always leave space around your power adapter. Do not use this equipment in a location where airflow around the power adapter is confined, such as a bookcase.
- Always disconnect the power adapter and disconnect the phone line before opening the computer to perform procedures such as installing memory.
 - Never turn on your computer unless all of its internal and external parts are in place. Operating the computer with missing parts can be dangerous and damage your computer.
 - Do not connect a digital telephone line to the modem, because the wrong type of line could damage the modem.
 - When using your computer or when charging the battery, it is normal for the bottom of the case to get warm. The bottom of the computer case functions as a cooling surface that transfers heat from inside the computer to the cooler air outside. The bottom of the case is raised slightly to allow airflow that keeps the unit within normal operating temperatures.
 - Keep your computer away from sources of liquids, such as drinks, washbasins, bathtubs, shower stalls, and so on.
 - Protect your computer from dampness or wet weather, such as rain, snow, and so on.

Warning Electrical equipment may be hazardous if misused. Operation of this product, or similar products, must always be supervised by an adult. Do not allow children access to the interior of any electrical product and do not permit them to handle any cables.

Never push objects of any kind into this product through the openings in the case. Doing so may result in fire or a dangerous electric shock.

For your own safety and that of your equipment, always disconnect the power plug (by pulling the plug, not the cord) and remove the battery if any of the following conditions exists:

- you want to remove any parts (leave the cord disconnected as long as the keyboard is open)
- the power cord or plug becomes frayed or otherwise damaged
- you spill something into the case
- your computer is exposed to rain or any other excess moisture
- your computer has been dropped or the case has been otherwise damaged
- you suspect that your computer needs service or repair
- you want to clean the case (use only the recommended procedure)

Important The only way to disconnect power completely is to unplug the power cord and remove the battery. Make sure at least one end of the power cord is within easy reach so that you can unplug the computer when you need to.

Warning To avoid damage to your computer, Apple recommends that only an Apple-certified technician install additional RAM. Consult the service and support information that came with your computer for instructions on how to contact an Apple-authorized service provider or Apple for service. If you attempt to install additional RAM yourself, any damage you may cause to your equipment will not be covered by the limited warranty on your computer. See an Apple-authorized dealer or service provider for additional information about this or any other warranty question.

To clean the case, do the following:

- 1 Disconnect the power plug and remove the battery. (Pull the plug, not the cord.)
- 2 Wipe the surfaces lightly with a clean, soft cloth dampened with water.

Warning Do not use any substance containing isopropyl alcohol. It can damage the case.

Where's the fine print?

Communications regulation information

FCC declaration of conformity

This device complies with part 15 of the FCC rules. Operation is subject to the following two conditions: (1) This device may not cause harmful interference, and (2) this device must accept any interference received, including interference that may cause undesired operation. See instructions if interference to radio or television reception is suspected.

Radio and television interference

The equipment described in this manual generates, uses, and can radiate radio-frequency energy. If it is not installed and used properly—that is, in strict accordance with Apple's instructions—it may cause interference with radio and television reception.

This equipment has been tested and found to comply with the limits for a Class B digital device in accordance with the specifications in Part 15 of FCC rules. These specifications are designed to provide reasonable protection against such interference in a residential installation. However, there is no guarantee that interference will not occur in a particular installation.

You can determine whether your computer system is causing interference by turning it off. If the interference stops, it was probably caused by the computer or one of the peripheral devices.

If your computer system does cause interference to radio or television reception, try to correct the interference by using one or more of the following measures:

- Turn the television or radio antenna until the interference stops.
- Move the computer to one side or the other of the television or radio.
- Move the computer farther away from the television or radio.
- Plug the computer into an outlet that is on a different circuit from the television or radio. (That is, make certain the computer and the television or radio are on circuits controlled by different circuit breakers or fuses.)

If necessary, consult an Apple-authorized service provider or Apple. See the service and support information that came with your Apple product. Or, consult an experienced radio/television technician for additional suggestions.

Changes or modifications to this product not authorized by Apple Computer, Inc., could void the FCC Certification and negate your authority to operate the product.

Important This product was tested for FCC compliance under conditions that included the use of Apple peripheral devices and Apple shielded cables and connectors between system components. It is important that you use Apple peripheral devices and shielded cables and connectors between system components to reduce the possibility of causing interference to radios, television sets, and other electronic devices. You can obtain Apple peripheral devices and the proper shielded cables and connectors through an Apple-authorized dealer. For non-Apple peripheral devices, contact the manufacturer or dealer for assistance.

Responsible party (contact for FCC matters only): Apple Computer, Inc., Product Compliance, 1 Infinite Loop, M/S 26-A, Cupertino, CA 95014-2084, 408-974-2000.

Exposure to radio frequency energy

The radiated output power of the optional AirPort Card is far below the FCC radio frequency exposure limits. Nevertheless, it is advised to use the wireless equipment in such a manner that the potential for human contact during normal operation is minimized.

Industry Canada statement

This Class B device meets all requirements of the Canadian interference-causing equipment regulations.

Cet appareil numérique de la Class B respecte toutes les exigences du Règlement sur le matériel brouilleur du Canada.

Europe—EU Declaration of Conformity

This device complies with the specifications ETS 300 328 and ETS 300 826, following the provisions of the EMC Directive 89/336/EEC.

VCCI Class 2 statement

情報処理装置等電波障害自主規制について

この装置は、情報処理装置等電波障害自主規制協議会（VCCI）の基準に基づくクラス B 情報技術装置です。この装置は、家庭環境で使用することを目的としていますが、この装置がラジオやテレビジョン受信機に近接して使用されると、受信障害を引き起こすことがあります。

取扱説明書に従って正しい取り扱いをして下さい。

Notify your telephone company

Some telephone companies require that you notify the local business office when you hook up a modem to their lines.

Information you need in the United States

The optional internal modem complies with Part 68 of the FCC rules. On the back of this equipment is a label that contains, among other information, the FCC registration number and ringer equivalence number (REN). If requested, provide this information to your telephone company.

- *Ringer equivalence number (REN)*: 0.8–0.9 The REN is useful to determine the quantity of devices you may connect to your telephone lines and still have all those devices ring when your telephone number is called. In most, but not all areas, the sum of the RENs of all devices connected to one line should not exceed five (5.0). To be certain of the number of devices you may connect to your line, as determined by the REN, you should contact your local telephone company to determine the maximum REN for your calling area.
- *Telephone jack type*: USOC, RJ-11 An FCC-compliant telephone cord and modular plug are provided with this equipment. This equipment is designed to be connected to the telephone network or premises wiring using a compatible modular jack that complies with Part 68 rules. See the installation instructions for details.

Telephone line problems

If your telephone doesn't work, there may be a problem with your telephone line. Disconnect the modem to see if the problem goes away. If it doesn't, report the problem either to your local telephone company or to your company's telecommunications people.

If disconnecting the modem eliminates the problem, the modem itself may need service. See the service and support information that came with your Apple product for instructions on how to contact Apple or an Apple-authorized service provider for assistance.

If you do not disconnect your modem when it is adversely affecting the telephone line, the telephone company has the right to disconnect your service temporarily until you correct the problem. The telephone company will notify you as soon as possible. Also, you will be informed of your right to file a complaint with the FCC.

The telephone company may make changes in its facilities, equipment, operations, or procedures that could affect the operation of your equipment. If this happens, the telephone company will provide advance notice in order for you to make the necessary modifications to maintain uninterrupted service.

The optional internal modem will not work with party lines, cannot be connected to a coin-operated telephone, and may not work with a private branch exchange (PBX).

Telephone Consumer Protection Act

The Telephone Consumer Protection Act of 1991 makes it unlawful for any person to use a computer or other electronic device to send any message via a telephone fax machine unless such message clearly contains in a margin at the top or bottom of each transmitted page or on the first page of the transmission, the date and time it was sent and an identification of the business or other entity, or individual sending the message and the telephone number of the sending machine of such business, entity, or individual.

Information you need in Canada

The Industry Canada (IC) label identifies certified equipment. This certification means that the equipment meets certain telecommunications network protective, operational, and safety requirements. The Department does not guarantee the equipment will operate to a user's satisfaction.

Before installing this equipment, make sure that you are permitted to connect to the facilities of the local telecommunications company. Be sure you use an acceptable method of connection to install the equipment. In some cases, you may extend the company's internal wiring for single-line individual service by means of a certified telephone extension cord. Be aware, however, that compliance with these conditions may not prevent degradation of service in some situations.

Repairs to certified equipment should be made by an authorized Canadian maintenance facility designated by the supplier. Any equipment malfunctions or repairs or alterations that you make to this equipment may cause the telecommunications company to request that you disconnect the equipment.

In Canada, contact Apple at: 7495 Birchmount Road, Markham, Ontario, L3R 5G2, 800-263-3394.

Users should ensure for their own protection that the electrical ground connections of the power utility, telephone lines, and internal metallic water pipe system, if present, are connected together. This precaution may be particularly important in rural areas.

Warning Users should not attempt to make such connections themselves, but should contact the appropriate electric inspection authority or electrician.

- **Load number:** 0.3 The load number (LN) assigned to each terminal device denotes the percentage of the total load to be connected to the telephone loop that is used by the device, to prevent overloading. The termination of a loop may consist of any combination of devices, subject only to the requirement that the sum of the load numbers of all devices does not exceed 100.
- **Telephone jack type:** CA-11

Informations destinés aux utilisateurs Canadiens

L'étiquette d'Industrie Canada identifie un matériel homologué. Cette étiquette certifie que le matériel est conforme à certaines normes de protection, d'exploitation et de sécurité des réseaux de télécommunications. Le Ministère n'assure toutefois pas que le matériel fonctionnera à la satisfaction de l'utilisateur.

Avant d'installer ce matériel, l'utilisateur doit s'assurer qu'il est permis de le raccorder au réseau de l'entreprise locale de télécommunication. Le matériel doit également être installé en suivant une méthode acceptée de raccordement. Dans certains cas, le câblage appartenant à l'entreprise utilisé pour un service individuel à ligne unique peut être prolongé au moyen d'un dispositif homologué de raccordement (cordon prolongateur téléphonique).

L'abonné ne doit pas oublier qu'il est possible que la conformité aux conditions énoncées ci-dessus n'empêchent pas la dégradation du service dans certaines situations. De fait, les entreprises de télécommunication ne permettent pas que l'on raccorde un matériel aux prises d'abonné, sauf dans les cas précis prévus par les tarifs particuliers de ces entreprises.

Les réparations de matériel homologué doivent être effectuées par un centre d'entretien canadien autorisé désigné par le fournisseur. La compagnie de télécommunications peut demander à l'utilisateur de débrancher un appareil suite à des réparations ou des modifications effectuées par l'utilisateur ou à cause de mauvais fonctionnement.

Veillez contacter le fournisseur suivant pour des informations supplémentaires :

Apple Canada, Inc.
7495 Birchmount Road
Markham, Ontario
Canada L3R 5G2
Apple Canada Customer Assistance Line: 800-263-3394

Pour sa propre protection, l'utilisateur doit s'assurer que tous les fils de mise à la terre du secteur, des lignes téléphoniques et les canalisations d'eau métalliques, s'il y en a, soient raccordés ensemble. Cette précaution est particulièrement importante dans les régions rurales.

Avertissement L'utilisateur ne doit pas tenter de faire ces raccordements lui-même; il doit avoir recours à un service d'inspection des installations électriques ou à un électricien, selon le cas.

- **Numéro de charge :** 0.3 L'indice de charge (IC) assigné à chaque dispositif terminal indique, pour éviter toute surcharge, le pourcentage de la charge totale qui sera raccordée à un circuit téléphonique bouclé utilisé par ce dispositif. La terminaison du circuit bouclé peut être constituée de n'importe quelle combinaison de dispositifs pourvu que la somme des indices de charge de l'ensemble des dispositifs ne dépasse pas 100.
- **Type de prise téléphonique :** CA-11

Information you need in the United Kingdom

This terminal equipment is intended for direct connection to the analogue Public Switched Telecommunications Network and is approved for use within the United Kingdom with the following features:

- Modem facility
- Autocalling facility
- Autoanswer facility
- DTMF signaling
- Operation in the absence of proceed indication or upon detection of proceed indication

This product is in conformity with relevant regulatory standards following the provisions of European Council Directives 73/23/EEC (Low Voltage Directive) and 89/336/EEC amended by 92/31/EEC (EMC Directive).

Information you need in Germany

Diese Modem-Karte ist als Endeinrichtung vorgesehen und muss an ein TAE mit F-Kodierung angeschlossen werden.

Diese Endeinrichtung ist in Konformität gemäss Niederspannungsrichtlinie 73 / 23 / EWG sowie EMC-Richtlinien

89 / 336 / EWG und 92 / 31 / EWG.

Information you need in France

Ce matériel est conforme aux normes applicables de sécurité électrique d'après la directive 73 / 23 / CEE et aux normes applicables de comptabilité électromagnétique d'après la directive 89 / 336 / CEE, modifié par la directive 92 / 31 / CEE.

Information you need in Australia

All telecommunications devices are required to be labelled as complying to the Australian telecommunications standards, ensuring the health and safety of the operator and the integrity of the Australian telecommunications network. To provide compliance with the Australian Communications Authority's technical standards, please ensure that the following AT commands are maintained:

- ATB0 (ITU/CCITT operation)
- AT&G0 (no guard tone)
- AT&P1 (33/66 pulse dial make/break ratio)
- ATS0 = 0 or ATS0 = 1 (no answer or answer greater than one ring)
- ATS6 = 95 (DTMF period between 70–255 ms)
- ATS11 = 95 (DTMF period between 70–255 ms)

For calls that are automatically generated, a total of three call attempts are allowed to a telephone number, with a minimum period between calls of 2 seconds. If the call does not connect after three attempts, 30 minutes must expire before automatic redialing may be initiated. Failure to set the modem (and any associated communications software) to the above settings may result in the modem being non-compliant with Australian telecommunications standards. Under these circumstances a user could be subject to significant penalties under the Telecommunications Act 1997.

This card must be properly secured in order for you to use it. Telecommunications network voltages exist inside the computer and the telecommunications line connection must be removed before opening the computer.

Information you need in New Zealand

This modem is fully approved to operate on the New Zealand telecommunications network under Telepermit number PTC 211/98/119. All telecommunications devices are required to hold a Telepermit and be labelled accordingly with the approved Telepermit number to comply with the New Zealand telecommunications standards, ensuring the health and safety of the operator and the integrity of the New Zealand telecommunications network.

Customers in New Zealand who are prompted to choose a country for their modem should choose the "Australia" country code setting.

To ensure compliance, all calls that are automatically generated should not make more than 10 call attempts to the same number within any 30 minute period with a minimum period between calls of 30 seconds. Failure to adhere to these standards may result in the modem being non-compliant with New Zealand Telecom standards. Under these circumstances a user could be subject to significant penalties.

If pulse dialing is required for any reason, the communications software must be set up to record numbers according to the following translation list.

- Number to be dialed: 0; number to be entered into computer: 0
- Number to be dialed: 1; number to be entered into computer: 9
- Number to be dialed: 2; number to be entered into computer: 8
- Number to be dialed: 3; number to be entered into computer: 7
- Number to be dialed: 4; number to be entered into computer: 6
- Number to be dialed: 5; number to be entered into computer: 5
- Number to be dialed: 6; number to be entered into computer: 4
- Number to be dialed: 7; number to be entered into computer: 3
- Number to be dialed: 8; number to be entered into computer: 2
- Number to be dialed: 9; number to be entered into computer: 1
- Number to be dialed: 0; number to be entered into computer: 0

The preferred method of dialing is to use DTMF tones as this is faster than pulse (decadic) dialing and is readily available on almost all New Zealand telephone exchanges.

Laser information

Warning Making adjustments or performing procedures other than those specified in your equipment's manual may result in hazardous radiation exposure.

Do not attempt to disassemble the cabinet containing the laser. The laser beam used in this product is harmful to the eyes. The use of optical instruments, such as magnifying lenses, with this product increases the potential hazard to your eyes. For your safety, have this equipment serviced only by an Apple-authorized service provider.

Your computer is a Class 1 laser product. The Class 1 label, located in a user-accessible area, indicates that the drive meets minimum safety requirements. A service warning label is located in a service-accessible area. The labels on your product may differ slightly from the ones shown here.



Class 1 label

Service warning label

High-risk activities warning

This computer system is not intended for use in the operation of nuclear facilities, aircraft navigation or communications systems, or air traffic control machines, or for any other uses where the failure of the computer system could lead to death, personal injury or severe environmental damage.



iBook

User's Guide ユーザーズガイド Manuel de l'utilisateur Benutzerhandbuch
Manuale Utente Manual del usuario Handbok Gebruikershandleiding Brukerhåndbok
Brugerhåndbog Käsimkirja 使用手冊 使用手冊 사용 안내서

www.apple.com

© 1999 Apple Computer, Inc. All rights reserved. Apple, the Apple logo, AppleWorks, Mac, and Macintosh are trademarks of Apple Computer, Inc., registered in the U.S.A. and other countries. AirPort, iBook, and Sherlock are trademarks of Apple Computer, Inc.
034-0890-A Printed in Taiwan