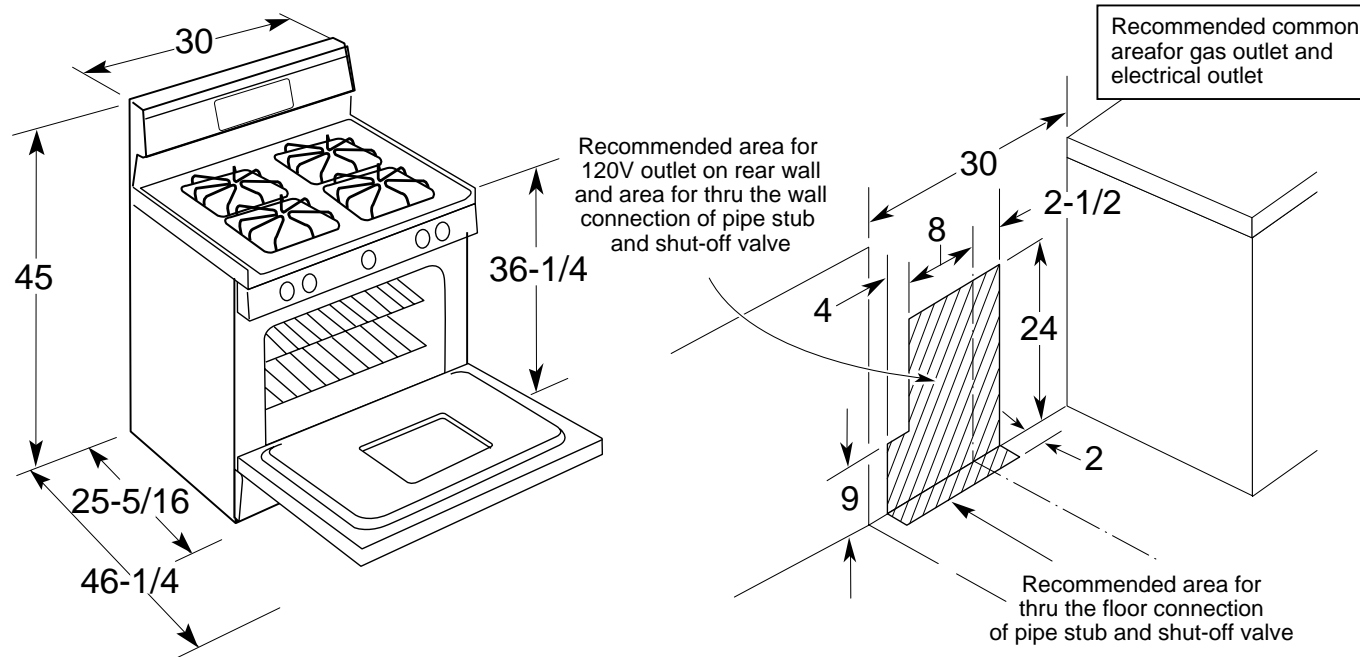




GE Appliances

JGBS10BEF/CEF/WEF – GE 30" Free-Standing Gas Range

Dimensions (in inches) and Installation Information



Factory Set for Natural Gas. A set of LP orifices is included with each range for LP conversion.

Electrical Rating: 120V, 60Hz, 5A

Installation Information: Before installing, consult installation instructions packed with product for current dimensional data.



All GE ranges are equipped with an Anti-Tip device. The installation of this device is an important, required step in the installation of the range.



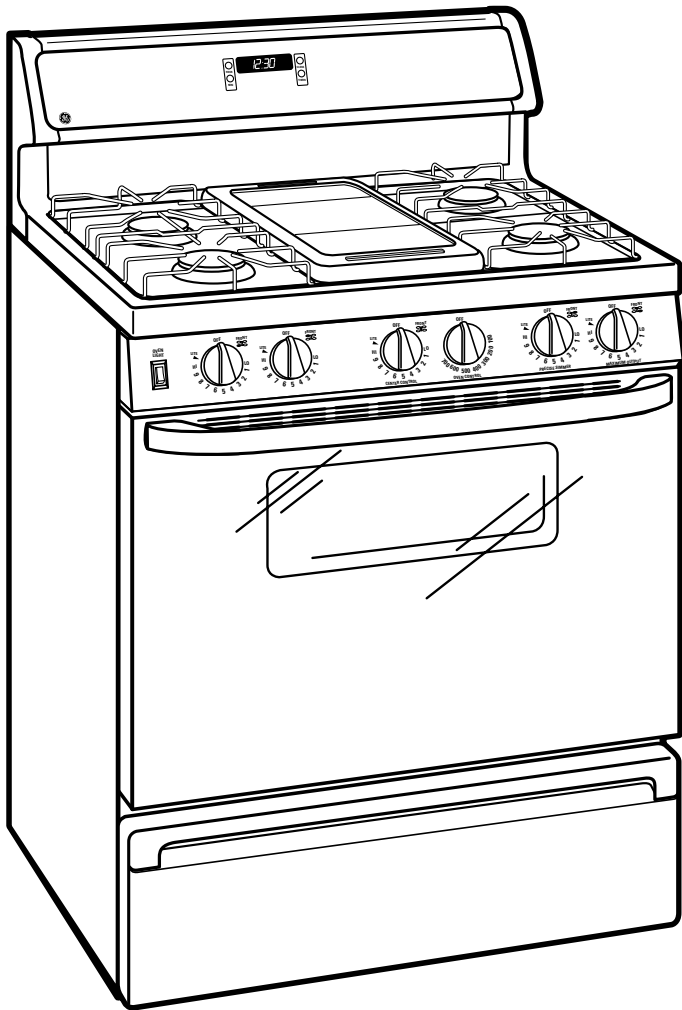
Specification Revised 7/02

For answers to your Monogram[®], GE Profile[™] or GE appliance questions, visit our website at GEAppliance.com or call GE Answer Center[®] service, 800.626.2000.



GE Appliances

JGBS10BEF/CEF/WEF – GE 30" Free-Standing Gas Range



Features and Benefits

- All-Purpose Burners and (1) Center Oval Non-Stick Griddle Burner
- Sealed Cooktop Burners
- Extra-Large Standard Clean Oven
- Electronic Clock
- 2 Oven Racks with 6 Embossed Rack Positions
- Interior Oven Light
- Black Removable Grates
- Model JGBS10WEFVV – White on white
- Model JGBS10CEFCC – Bisque on bisque
- Model JGBS10BEFBB – Black on black

Specification Revised 7/02