



KENT

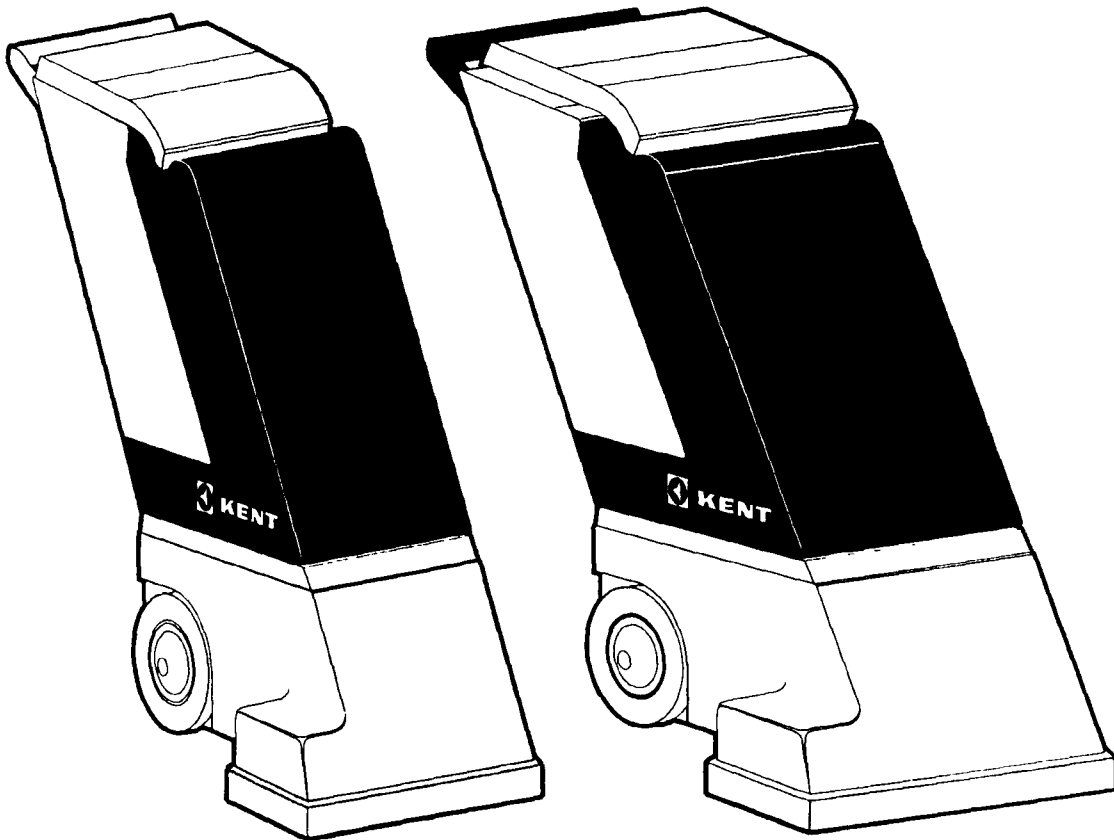
OWNER'S MANUAL

OPERATION • CARE • SERVICE

CARPET EXTRACTORS

KX-12SCA, KX-180SC
SELF-CONTAINED

115 & 230 VOLT



THE KENT COMPANY • P O BOX 1665 • 2310 INDUSTRIAL PARKWAY • ELKHART, IN 46515, U S A
TEL (219)293-8661 • (800)334-1083 • FAX (219)295-8610 • TELEX 25-8331 KENT CO EKR

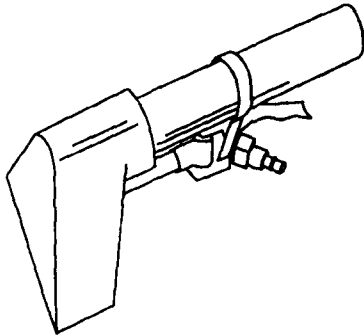
TABLE OF CONTENTS

Machine Specifications	1
Optional Accessories	2
Service Information	2
Important Safety Instructions	2
Grounding Instructions	3
Unpacking And Set Up	3
Operation	3
Adjustments	3
Features	4
Controls	4
Cord Storage	4
Solution	4
Carpet Extraction	4
Clean Up And Storage	5
Maintenance	5
Recommended Spare Parts	5
KX-12SCA Assembly	6
KX-12SCA Parts List	7
KX-180SC Assembly	8
KX-180SC Parts List	9
Wiring Diagram	10
Hydraulic Diagram	10
Water Pump Assembly	11
Trouble Shooting	12

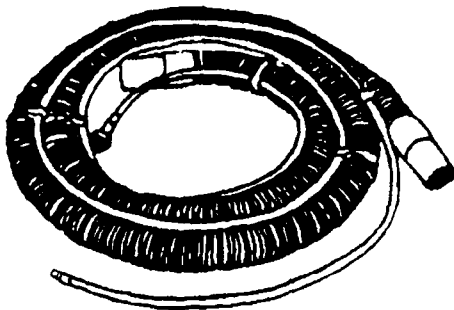
MACHINE SPECIFICATIONS

Model Number	KX-12SCA / 115v	KX-12SCA / 230v	KX-180SC / 115v	KX-180SC / 230v
Operating Voltage	115/1/60	230/1/50	115/1/60	230/1/50
Brush Motor	1/3 hp @ 1725 rpm	1/3 hp @ 1425 rpm	1/3 hp @ 1725 rpm	1/3 hp @ 1425 rpm
Vacuum Motor	1.8 php, 2-stage, bp	1.8 php, 2-stage, bp	2.8 php, 3-stage, bp	1.8 php, 2-stage, bp
Lift H2O (in/cm)	87" sealed/221 cm	94.1" sealed/239 cm	117" sealed/297 cm	94.1" sealed/239 cm
Brush Drive	multi-v6 belt	multi-v6 belt	multi-v6 belt	multi-v6 belt
Brush Dia. (in/cm)	2.25"/5.72 cm	2.25"/5.72 cm	2.25"/5.72 cm	2.25"/5.72 cm
Brush Rpm	1380 rpm	1140 rpm	1380 rpm	1140 rpm
Brush Length (in/cm)	10.93"/27.8 cm	10.93"/27.8 cm	16.83"/42.7 cm	16.83"/42.7 cm
Pickup Nozzle Opening	12.0"/30.5 cm	12.0"/30.5 cm	18.0"/45.7 cm	18.0"/45.7 cm
Pump Pressure (psi/bar)	60 psi/4.1 bar	60 psi/4.1 bar	100 psi/6.9 bar	100 psi/6.9 bar
Pump Flow Rate (gpm/lpm)	.87 gpm/3.29 lpm	.92 gpm/3.48 lpm	.96 gpm/3.63 lpm	.74 gpm/2.80 lpm
Spray Nozzles	three(3), 110°	three(3), 110°	five(5), 110°	five(5), 110°
Pump Design	self-priming, demand	self-priming, demand	self-priming, demand	self-priming, demand
Solution Tank Cap. (gal/l)	5.0 gal./18.9 l	5.0 gal./18.9 l	10.0 gal./37.8 l	10.0 gal./37.8 l
Recovery Tank Cap. (gal/l)	5.5 gal./20.8 l	5.5 gal./20.8 l	10.0 gal./37.8 l	10.0 gal./37.8 l
Wheels (in/cm)	two 8" od/20.3 cm	two 8" od/20.3 cm	two 8" od/20.3 cm	two 8" od/20.3 cm
Power Cord (ft/m)	50 ft, 14-3 SJT (15.2 m)	50 ft, 14-3 SJT (15.2 m)	50 ft, 14-3 SJT (15.2 m)	50 ft, 14-3 SJT (15.2 m)
Length (in/cm)	37"/94 cm	37"/94 cm	39.1"/99.3 cm	39.1"/99.3 cm
Width @ Offset (in/cm)	14.4"/36.6 cm	14.4"/36.6 cm	19.62"/49.8 cm	19.62"/49.8 cm
Height (in/cm)	38.0"/96.5 cm	38.0"/96.5 cm	38.0"/96.5 cm	38.0"/96.5 cm
Machine Weight (lbs./kg)	91 lbs./41.3 kg	91 lbs./41.3 kg	112 lbs./51 kg	112 lbs./51 kg

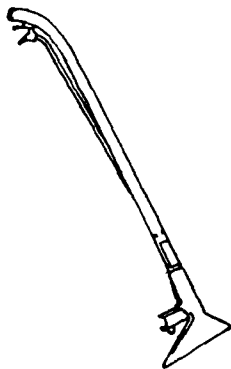
OPTIONAL ACCESSORIES



Hand Tool. P\N: 34911



Vacuum Hose & Solution Line. P\N: 33389-10ft,
33224-15ft.



12" Manual Wand. P\N: 33391

SERVICE INFORMATION

To obtain consistent performance over the life of your Kent equipment, read through these instructions and save them for future reference. If you require service, contact the dealer from which the machine was purchased or an authorized service station. Always refer to your limited warranty for complete service information.

THE KENT CO.
ELKHART, INDIANA U S A

SERIAL NO.		MODEL	
VOLTS		PHASE	Hz
MOTOR 1	AMP	H P	
MOTOR 2	AMP	H P	

The model, type, and serial number are indicated on the data plate on the control panel of the carpet extractor. For prompt and complete service, refer to these numbers when inquiring about service

Write the model and serial number of your unit in the space provided. Refer to the rating plate on unit.

MODEL #

SERIAL #

Retain this owner's manual for future reference.

IMPORTANT SAFETY INSTRUCTIONS

When using an electrical appliance, basic precautions should always be followed, including the following:

READ ALL INSTRUCTIONS BEFORE USING THIS CARPET EXTRACTOR.

WARNING

To reduce the risk of fire, electric shock, or injury:

- Do not leave the carpet extractor when plugged in. Turn off all switches and unplug the electrical cord when not in use and before servicing.
- Do not allow to be used as a toy. Close attention is necessary when used by or near children.
- Use only as described in this manual. Use only manufacturer's recommended attachments.
- Do not use with damaged cord or plug. If carpet extractor is not working as it should, has been dropped, damaged, or left outdoors, return it to a service center before using.
- Do not close a door on cord or pull cord around sharp edges or corners. Do not run carpet extractor over cord. Keep cord away from heated surfaces.
- Connect to a properly grounded outlet only (refer to **GROUNDING INSTRUCTIONS**)
- Do not use extension cords or outlets with inadequate current carrying capacity

- Turn off all controls before unplugging.
- Do not unplug by pulling on cord. To unplug, grasp the plug, not the cord.
- Do not handle plug or carpet extractor with wet hands.
- Hold plug when rewinding cord onto cord reel. Do not allow plug to whip when rewinding.
- Wind cord no tighter than necessary to retain it.
- Do not put any object into openings. Do not use with any opening blocked; keep free of dust, lint, hair, and anything that may reduce airflow.
- This carpet extractor creates suction and contains a revolving brush roll. Keep hair, loose clothing, fingers, and all other parts of body away from openings and moving parts.
- Do not pick up anything that is burning or smoking, such as cigarettes, matches, or hot ashes.
- Belt pulleys can become hot during normal use. To prevent burns, avoid touching the belt pulley when servicing the drive belt.
- Use extra care when cleaning on stairs.
- Do not use to pick up flammable or combustible liquids such as gasoline, or use in areas where they may be present.
- Do not use in areas where flammable and/or explosive vapor or dust is present to avoid possibility of fire or explosion. Some cleaning fluids can produce such vapors.
- Store your carpet extractor indoors in a cool, dry area. Do not expose carpet extractor to freezing temperatures.
- Keep your work area well lit.

SAVE THESE INSTRUCTIONS

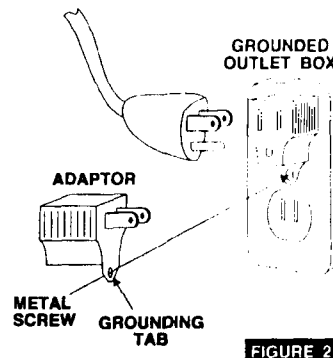
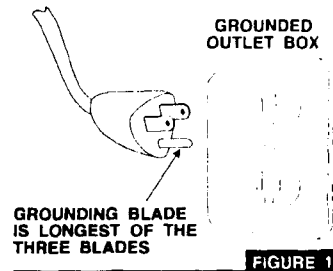
GROUNDING INSTRUCTIONS

DO NOT USE IN CANADA!

To reduce the risk of electric shock, this appliance must be grounded. If it should malfunction or break down, grounding provides a path of least resistance for electric current. This appliance is equipped with a cord having an equipment grounding conductor and grounding plug. The plug must be plugged into an appropriate outlet that is properly installed and grounded in accordance with all local codes and ordinances.

DANGER

Improper connection of an equipment grounding conductor can result in risk of electric shock. Check with qualified electrician or service person if you are in doubt as to whether the outlet is properly grounded. Do not modify the plug provided with the appliance. If it will not fit the outlet, have proper outlet installed by a qualified technician. This appliance is for use on a nominal 120 volt circuit and has a grounding plug that looks like the plug illustrated in Figure 1. A temporary adapter which looks like the adapter illustrated in Figure 2 may be used to connect this plug to a two pole receptacle, as shown, if a properly grounded outlet is not available. The temporary adapter should be used only until a properly grounded outlet, Figure 1, can be installed by a qualified electrician. The green colored rigid ear, lug, or the like extending from the adapter must be connected to a permanent ground such as a properly grounded outlet box cover. Whenever the adapter is used, it must be held in place by a metal screw.



UNPACKING AND SET UP

Carefully inspect all components to insure that there is no concealed freight damage. If such damage is discovered, file a Damage Report immediately with the delivering carrier.

OPERATION

ADJUSTMENTS

BELT ADJUSTMENT: If belt adjustment is necessary, remove cover and tighten the Belt Adjustment Screw clockwise until tight (Figure 3).

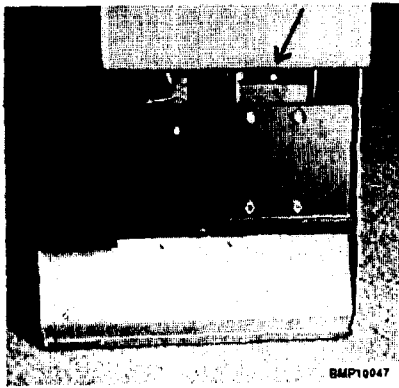


Figure 3

FEATURES

Your carpet extractor features recovery and solution drain valves, located in the rear of the machine, and an in-line solution tank filter. Your carpet extractor is also equipped with an accessory inlet for the optional accessories: Carpet Wand, Hand Tool, and Vacuum Hose & Solution Line. For information on ordering any of these accessories, refer to OPTIONAL ACCESSORIES.

CONTROLS

VACUUM SWITCH- This switch turns the vacuum motor on (Figure 4). The recovery tank will instantly operate under vacuum and the floor nozzle will be ready for pick-up (extraction). For operation, the recovery tank's drain valve must be closed (Figure 5) and its tank lid in position over the sealing gasket (Figure 6).

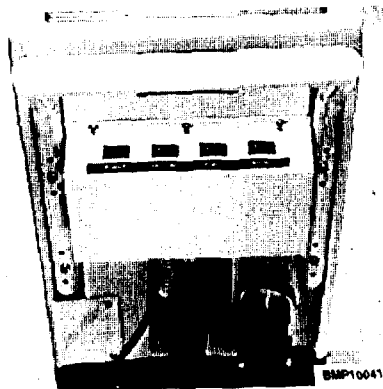


Figure 4

PUMP SWITCHES- These switches turn the solution pump on. For the operator's convenience, there are two pump switches. One switch is located on the control panel (Figure 4) and the other is located on the handle (Figure 6). Once the control panel switch is switched to ON, the pump will stay on until you switch it back to the OFF position. The switch in the handle will only activate the pump while the switch is depressed. The pump will immediately shut off when the switch is released. The pump will draw filtered solution, from the solution tank, to the nozzles located beneath the frame. The nozzles

distribute the solution evenly over the carpet. Water temperature in the solution tank must not exceed 130°F.

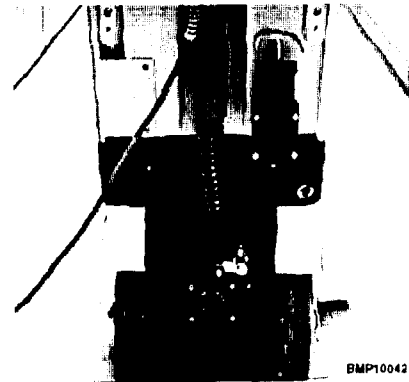


Figure 5

BRUSH SWITCH- This switch turns the brush on (Figure 4). The rotation of the brush may propel the machine, reducing the effort needed for operation. The self propelling feature may change with different carpets.

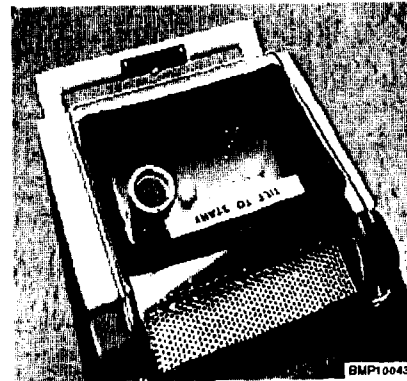


Figure 6

CORD STORAGE

The cord can be either wound in a circle or wound around the handle of the machine. Be sure to wind the cord no tighter than necessary to retain it.

SOLUTION

The solution tank is the front blue tank. The solution tank opening, where solution is added, can be found under the clear lid on top of the machine. Remove the clear lid and carefully pour the cleaning solution in. Water temperature must not exceed 130°F.

CAUTION NOTE: USE NON-FOAMING CHEMICALS ONLY. If a malfunction such as an overflow of the recovery tank should occur, immediately shut off the vacuum motor and pull the power cord plug from the wall. The solution water should never be allowed to enter the vacuum tube leading to the vacuum motor.

CARPET EXTRACTION

Plug the power cord into a 115V outlet. Once the

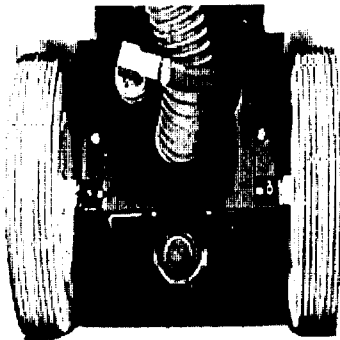
machine has power, the indicator light (Figure 4) will glow. Fill the solution tank where the solution level can be seen. Turn all switches on, using which ever pump switch is more comfortable, and begin cleaning. Overlap cleaning paths moving at a slow steady pace. Once the recovery water/foam level appears to be at the bottom of the metal bracket, viewing into the recovery tank through the clear lid, turn the solution pump and brush motor off and empty the recovery tank into a suitable water waste drain. To empty the recovery tank, simply pull the "T" handle on the drain valve (Figure 5).

CLEAN UP AND STORAGE

Unplug carpet extractor from outlet when not in use. Wipe exterior with a damp cloth after each use. Store in a cool dry place. Do not expose to freezing temperatures.

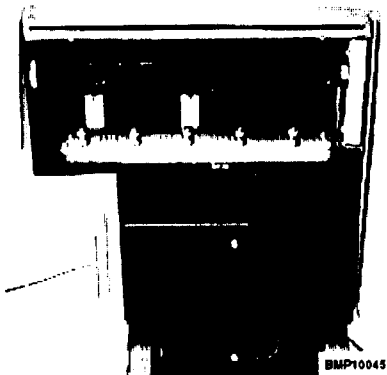
MAINTENANCE

Clean the water filter (Figure 7) from carpet fibers and dirt after each use and/or when needed. Before and after each use, check the vacuum opening, brush, nozzles, and vacuum exhaust for lodged debris (Figure 8). Keep the vacuum tube (Figure 6) clear from obstruction before, after, and during use.



BMP10044

Figure 7



BMP10045

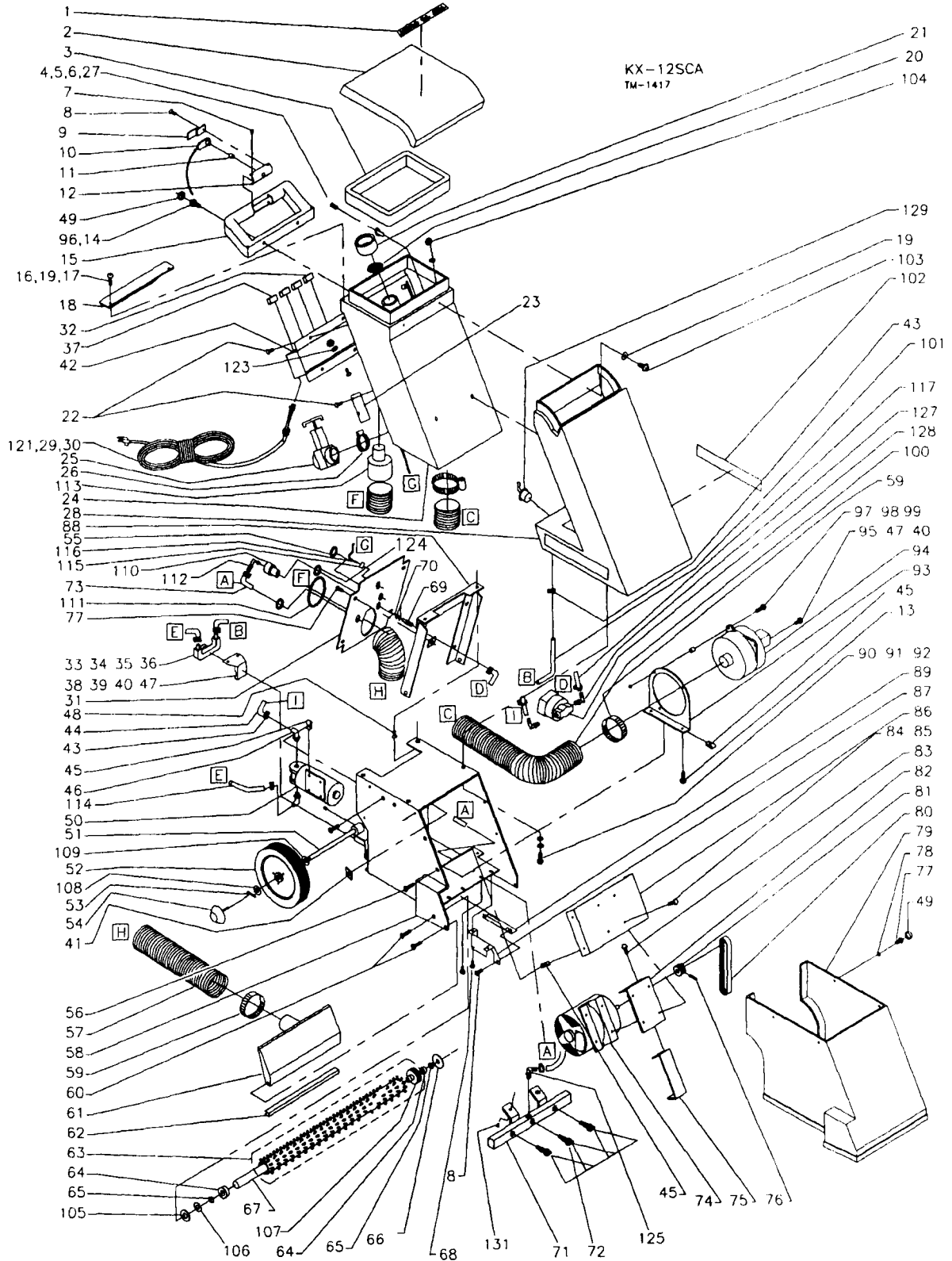
Figure 8

RECOMMENDED SPARE PARTS

Recommended spare parts should be ordered and stocked to avoid possible down time in case of failure, breakage, or normal wear.

PART #	DESCRIPTIONS	QTY.
1 038982	Screen-filter	1
2 056099	Nozzle,spray tip (KX-12SCA)	3
2 056099	Nozzle,spray tip (KX-180SC)	5
3 024333	Water Pump-115v (60psi)	1
3 024346	Water Pump-230v (60psi)	1
3 033938	Water Pump-115v (100psi)	1
3 034339	Water Pump-230v (100psi)	1
4 034651	Brush,asm. (KX-12SCA)	1
4 034729	Brush,asm. (KX-180SC)	1
5 027034	Rkr Switch-115v Or 230v	3
6 055114	Belt (KX-12SCA)	1
6 055245	Belt (KX-180SC)	1
7 027021	Switch,handle	1

KX-12SCA ASSEMBLY

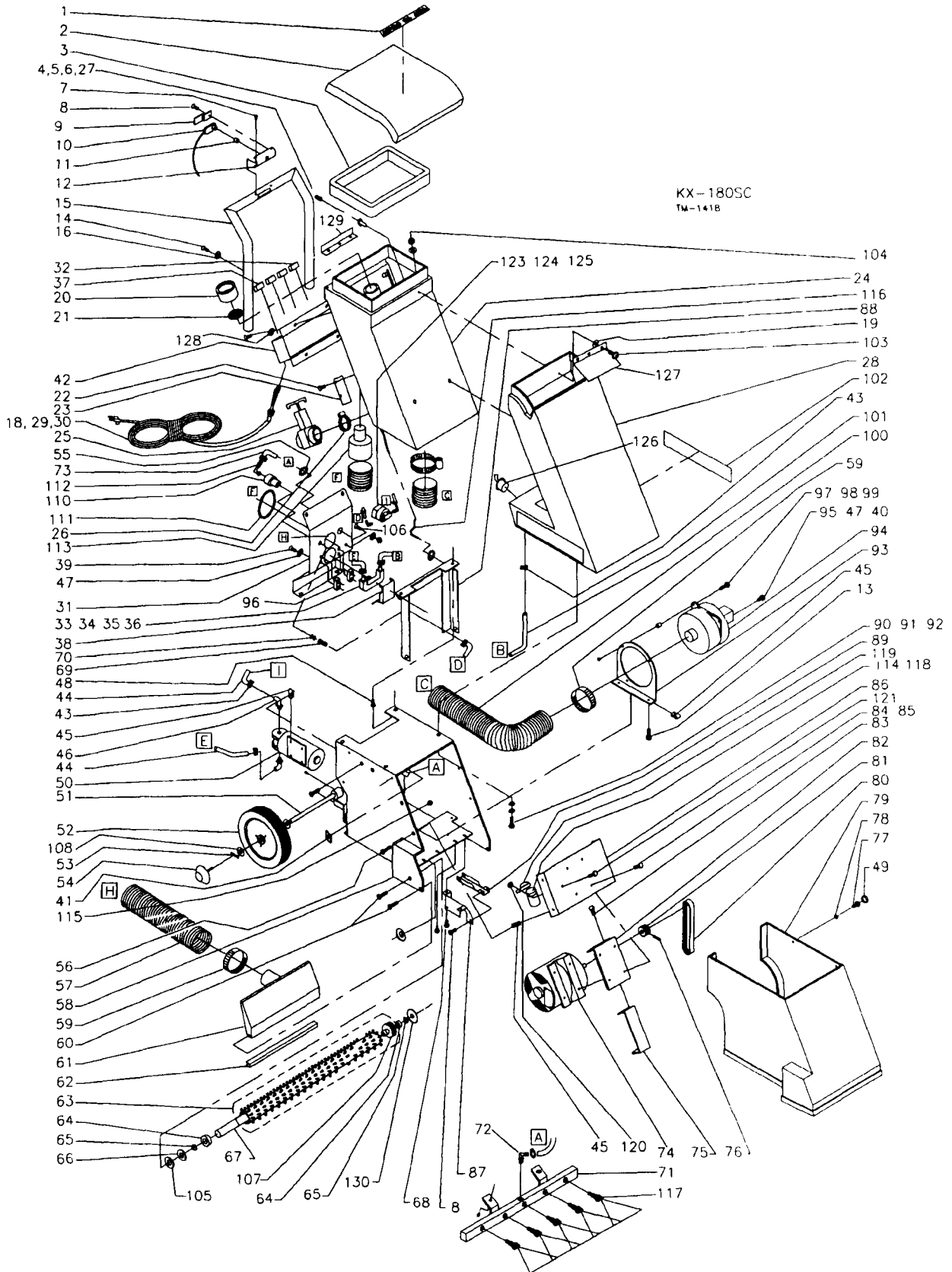


KX-12SCA PARTS LIST

DET	PART NO.	DESCRIPTION	QUANT
1	054726	LABEL,INSTR--TILT/START 1X6.6"	1
2	055106	COVER,TANK--TRANSPARENT MOLD	1
3	055092	GASKET,FOAM--RECOVERY/EXTR	1
4	004509	WSHR FLT .344ID1.00OD.109T,BRS	2
5	004207	WSHR FLT .281ID.562OD.063T BRS	2
6	S50062	SCR CAP HEX HD .250-20X.750L	2
7	055105	CLIP,ARROW NYLON,.540L	4
8	005316	SCR TPG F PAN HD 10-24X.375L	6
9	055104	PLATE,STL--11GA FORMED	1
10	027021	SWITCH,PUSH--WATERPROOF/MODIF	1
11	055103	BUTTON,PLSTC--PUMP SW,EXTR	1
12	034645	WDMT,COVER--EXTR HANDLE	1
13	002248	SCR MACH RD HD .250-20X.750L	2
14	055399	WSHR FLT--1/4"SCR,RHIOCAPLUG	2
15	055099	HANDLE--EXTRACTOR,MACH	1
16	001461	SCR MACH RD HD 10-32X.625L	2
17	222259	NUT,HEX--10-32,SS	2
18	055282	PLATE,SUPPORT--HANDLE,12"EXTR	1
19	224074	WSHR SEAL .203ID SS	6
20	055090	COUPLING,PIPE--MACH,1.25 SCH40	1
21	055089	SCREEN,MESH--1.625 DIA.	1
22	223046	SCR MACH RD HD 10-32X.375L	6
23	055391	PLATE,STL--16GAX1.50X10.930	1
24	055401	TANK,RECOVERY--MACH	1
25	055070	VALVE,SLIDE--SHUTOFF,1.5PIPE,T	1
26	049999	CLAMP,HOSE--2.25 MAX DIA,WORM	1
27	111384	BUSHING 1 7/32X3/16	2
28	055093	TANK,SOLUTION--MACH	1
29	053094	BSHG,STRAIN RLF--.31-.37 ACCOM	1
30	025892	CORD,POWER--14-3,50FT,TERM RNG	1
31	055382	COVER,REAR--.125ALUM,12"EXTR	1
32	027035	LIGHT,INDICATOR--125V,RED,HORZ	1
33	027036	LIGHT,INDICATOR--250V,RED,HORZ	1
32	053133	FILTER,WATER--IN-LINE STRAINER	1
34	055071	ELBOW,STREET--1/2MPT X 1/2FPT	2
35	051082	ADPTR,PP-HS--1/2 IPTX3/8HS,PLS	2
36	098394	TEFLON TAPE-PIPE THD SEALNUT	1
37	027034	SWITCH,RKR--SPST,16A,125/250V	3
38	055095	BRACKET--FILTER	1
39	001283	SCR MACH RD HD 10-24X.375L	2
40	003279	NUT,HEX--10-24,ZN PLT	11
41	003453	NUT,SELF-RETAINING--10-24	8
42	034777	WDMT,PANEL--12"EXTR	1
43	051581	CLAMP,HOSE--.625 MAX DIA,WORM	9
44	055756	TUBE,VINYL--.375X.625,3.50L,R	1
45	003429	NUT,SPEED,U--.250-20,.58X1.125	6
46	006117	ELBOW,PP-HS--3/8 MPTX3/8HS,NYL	2
47	004253	WSHR LK .204ID.410OD.025T EXT	7
48	002253	SCR CAP HEX HD .250-20X.750L	2
49	055389	CAPLUGS,PLSTC--WHITE	6
50	024333	ASM,PUMP--WATER,115V,W/TERMS	1
50	024346	ASM,PUMP--WATER,230V,W/TERMS	1
51	055064	RD,STL--.500 DIA.X10.869L	1
52	052894	WHEEL--MACH,8.0"O.D.	2
53	005200	PIN,COTTER--.125X1.000 LONG	2
54	052204	CAP,HUB--PLASTIC,3.68OD,3.25BC	2
55	052338	GROMMET,RUBBER--.87X1.12X.44TH	2
56	002252	SCR MACH FLAT HD .250-20X.750L	6
57	055415	HOSE,VAC--1.5 DIA,40IN L,BLUE	1
58	034658	WDMT,FRAME--HOUSING,ALUM,12IN	1
59	046688	CLAMP,HOSE--1.75 MAX DIA,WORM	4
60	001288	SCR MACH FLAT HD 10-24X.500L	4
61	034657	ASM,VAC CHAMBER--12"EXTRACTOR	1
62	055228	NOSE PIECE--KX-12SC,SS	1
63	034651	ASM,BRUSH--CYL 2.25ODX12.115	1
63	055055	BRUSH,CYL--2.25OD X 12.115L	1

DET	PART NO.	DESCRIPTION	QUANT
64	027197	BRG,BALL--.375ID,.875OD,.281W	2
65	051846	RING,RTNG--EXT,.375 SHAFT,STL	2
66	054730	SEAL,GREASE--.875 OD X.375 ID	1
67	055056	AXLE,BRUSH--.374OD X 12.429	1
68	001289	SCR MACH RD HD 10-24X.500L	1
69	006126	ADPTR,PP-HS--1/4 IPTX3/8HS,BRS	2
70	004499	WSHR FLT .594ID1.12OD.063T STL	4
71	034886	WDMT,TUBE--SOL.1.0X1.0X7.787	1
72	056098	NOZZLE,SPRAY--110DEG,TIP REMOV	3
73	055723	TUBE,VINYL--.375X.625,27.00L,R	1
74	025873	MTR,AC--115/60,.33HP,MODIF	1
74	025900	MTR,AC--220/240.50,.33HP,MODIF	1
75	034648	WDMT,PLATE W/NUT	1
76	002408	PIN,ROLL--.125 DIA,.750L	1
77	002206	SCR MACH RD HD 10-24X1.00L	8
78	055390	WSHR FLT--#10 SCREW,RHIOCAPLUG	4
79	055108	BASE,MACH--KX-12SC	1
80	055114	BELT,V--6V'S,19.00 PITCH LG	1
81	054011	PULLEY,GRVD--6 GRV,1.00PD	1
82	034649	WDMT,TAKEUP--MOTOR BASE	1
83	003249	SCR CAP HEX HD .312-18X1.25L	1
84	003378	NUT,HEX LOCK--.312-18,ZN PLT	4
85	003246	SCR CAP HEX HD .312-18X1.00L	4
86	055110	PANEL,FRONT--11GA,STL,12"EXTR	1
87	055075	BRACKET,STL--2.31X2.15X5.75	1
88	034736	WDMT,BRACE--CHASSIS,12"EXTR	1
89	055862	CAP,BOTTOM--SPLASH GUARD,EXTR	1
90	002278	WSHR LK .262ID.489OD.062TSPLT	4
91	005373	WSHR FLT .281ID.625OD.062T STL	4
92	002243	SCR CAP HEX HD .250-20X.625L	2
93	055109	BRKT,VAC MTR--ALUM	1
94	024214	MTR,VAC--115V,BYP,2 STG,DD	1
94	024341	MTR,VAC--240V,BYP,2STG,TD W/TB	1
95	002208	SCR MACH RD HD 10-24X1.25L	1
96	002467	SCR MACH PAN HD .250-20X1.25L	2
97	002454	SCR CAP HEX HD .250-20X1.50L	3
98	046309	SPACER,PHEN--.250X.500,.500L	3
99	005479	NUT,HEX LOCK--.250-20,NYLOC,ZN	3
100	055066	HOSE,VAC--1.5 DIA,.14 IN.,BLUE	1
101	055619	TUBE,VINYL--.375X.625,13.0L,R	1
102	054812	LABEL,IDENT--KENT,DIE-CUT,WHT	2
103	003416	SCR TPG F WSH HD 10-24X.875L	2
104	003406	NUT,HEX--10-24,SS	2
105	111625	WSHR FLT .500ID1.50OD.062T NYL	1
106	055578	GUARD,THREAD--2.25 BRUSH	1
107	054799	PULLEY--BRUSH DRIVE,1.25OD,6GR	1
108	004238	WSHR FLT .531ID1.00OD.071T STL	2
109	005449	WSHR SPR TNSN .531ID.880OD.030	2
110	050815	COUPLING,QUICK DISCONNECT--BRS	1
111	053901	GROM--1.93 ID,2.75 MHD,.125 PA	1
112	034776	ASM,COUPLER & ADAPTER--EXTR	1
113	706704	CUFF-HOSE SAME AS 16425	1
114	055601	TUBE,VINYL--.375X.625,8.50L,R	1
115	050826	BSHG,STRAIN RLF--HEYCO SR-7W-2	1
116	025909	ASM,WIRE--5CNDCT,41,COMB	1
117	054577	TUBE,VINYL--.375X.625,14.62L,R	1
121	006108	NUT,SPECIAL--.500 PIPE,HEX LOC	1
123	004443	WSHR LK .200ID.375OD.022T INT	5
124	004524	WSHR LK .675ID.777OD.031T,INT	1
125	052016	ELBOW,PP-HS--1/4 MPTX3/8HS,BRS	1
127	054571	ELBOW,PP-HS--1/8MPTX3/8HS,BRS	2
128	025967	VALVE,SOLENOID--220/50,240/60	1
128	025965	VALVE,SOLENOID--115V,.156 ORI.	1
129	054583	PLUG,EXPANSION--.75DIA,SNAPTIE	1
131	002371	SCR TPG F PAN HD 10-24X.625L	2

KX-180SC ASSEMBLY

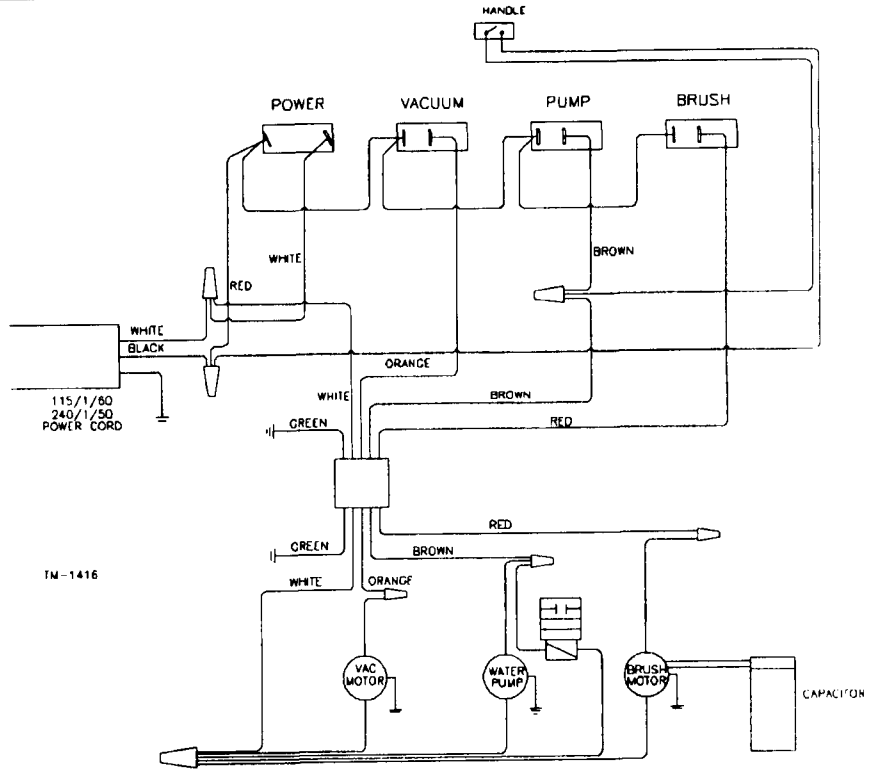


KX-180SC PARTS LIST

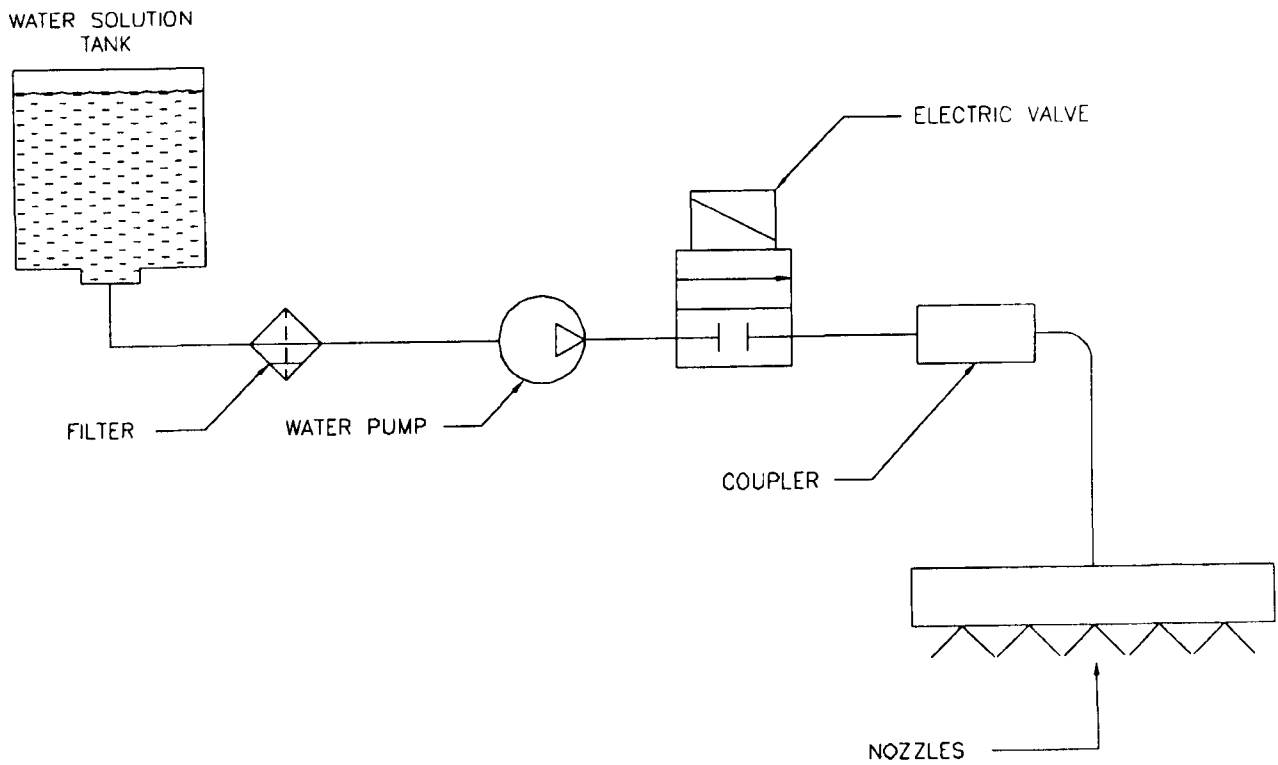
DET	PART NO.	DESCRIPTION	QUANT
1	054726	LABEL,INSTR--TILT/START 1X6 6"	1
2	055106	COVER,TANK--TRANSPARENT MOLD	1
3	055092	GASKET,FOAM--RECOVERY/EXTR	1
4	004509	WSHR FLT 344ID1 00OD 109T,BRS	2
5	004207	WSHR FLT 281ID 562OD 063T BRS	2
6	S50062	SCR CAP HEX HD 250-20X 750L	2
7	055105	CLIP,ARROW NYLON, 540L	4
8	005316	SCR TPG F PAN HD 10-24X 375L	6
9	055104	PLATE,STL--11GA FORMED	1
10	027021	SWITCH,PUSH--WATERPROOF/MODIF	1
11	055103	BUTTON,PLSTC--PUMP SW,EXTR	1
12	034728	WDMT,COVER--EXTR HANDLE,18"	1
13	002248	SCR MACH RD HD 250-20X 750L	2
14	002271	SCR,MACH-RD HD-- 250-20X1 75L	4
15	055255	HANDLE EXTRACTOR,18" COATED	1
16	050208	WSHR LK 262ID 470OD 026T INT	4
18	006108	NUT,SPECIAL-- 500 PIPE,HEX LOC	1
19	224074	WSHR SEAL 203ID SS	3
20	055265	COUPLING,PIPE--MACH,1 50 SCH40	1
21	055724	SCREEN,ALUM--SOL INTAKE,18EXTR	1
22	223046	SCR MACH RD HD 10-32X 375L	10
23	055256	PLATE,STL--16GA,BACKCOVER,18"	1
24	055251	TANK,RECOVERY--MACH,18" EXTR	1
25	055070	VALVE,SLIDE--SHUTOFF,1 5PIPE,T	1
26	049999	CLAMP,HOSE--2 25 MAX DIA,WORM	1
27	111384	BUSHING 1 7/32X3/16	2
28	055250	TANK,SOLUTION--MACH,18" EXTR	1
29	053094	BSHG,STRAIN RLF-- 31- 37 ACCOM	1
30	025892	COR,POWER--14-3,50FT,TERM RNG	1
31	055271	COVER,REAR--PLATE ALUM,18"EXT	1
32	027035	LIGHT,INDICATOR--125V,RED,HORZ	1
32	027036	LIGHT,INDICATOR--250V,RED,HORZ	1
33	053133	FILTER,WATER--IN-LINE STRAINER	1
34	055071	ELBOW,STREET--1/2MPT X 1/2FPT	2
35	051082	ADPTR,PP-HS--1/2 IPTX3/8HS,PLS	2
36	098394	TEFLON TAPE-PIPE THD SEALNUT	1
37	027034	SWITCH,RKR--SPST,16A,125/250V	3
38	034903	ASM,BRACKET & NUTS--18"EXTR	1
39	005457	SCR MACH PAN HD 10-24X1 00L	4
40	003279	NUT,HEX-- 10-24,ZN PLT	6
41	003453	NUT,SELF-RETAINING--10-24	4
42	034775	WDMT,PANEL--EXTR,18"	1
43	051581	CLAMP,HOSE-- 625 MAX DIA,WORM	14
45	003429	NUT,SPEED,U-- 250-20, 58X1 125	6
46	006117	ELBOW,PP-HS--3/8 MPTX3/8HS,NYL	2
47	004253	WSHR LK 204ID 410OD 025T EXT	11
48	002253	SCR CAP HEX HD 250-20X 750L	2
49	055389	CAPLUGS,PLSTC--WHITE	4
50	033938	ASM,PUMP--WATER,115V,W/TERM	1
50	034339	ASM,PUMP--WATER,230V,W/TERM	1
51	055252	RD,STL-- 500 DIA,13 728L	1
52	052894	WHEEL--MACH,8 0" O D	2
53	005200	PIN,COTTER-- 125X1 000 LONG	2
54	052204	CAP,HUB--PLASTIC,3 68OD,3 25BC	2
55	055434	GROM--1 0ID,1 5MHD, 125 GROOVE	1
56	002252	SCR MACH FLAT HD 250-20X 750L	6
57	055415	HOSE,VAC--1 5 DIA,40IN L,BLUE	1
58	034735	WDMT,FRAME--HOUSING,ALUM,18"	1
59	046688	CLAMP,HOSE--1 75 MAX DIA,WORM	4
60	001288	SCR MACH FLAT HD 10-24X 500L	4
61	034773	ASM,CASTING--18"EXTRACTOR	1
62	055261	NOSE,PIECE--KX-180SC,SS	1
63	034729	ASM,BRUSH--CYL,2 25OD X 18 429	1
63	055259	BRUSH,CYL--2 25OD X 18 015L	1
64	027197	BRG,BALL-- 375ID, 875OD, 281W	2
65	051846	RING,RTNG--EXT, 375 SHAFT,STL	2
66	055578	GUARD,THREAD--2 25 BRUSH	1

DET	PART NO.	DESCRIPTION	QUANT
67	055258	AXLE,BRUSH-- 374OD X 18 429	1
68	001289	SCR MACH RD HD 10-24X 500L	1
69	006126	ADPTR,PP-HS--1/4 IPTX3/8HS,BRS	3
70	004499	WSHR FLT 594ID1 12OD 063T STL	6
71	053896	TUBE,SOLUTION--1 0X1 0X15 00L	1
72	052016	ELBOW,PP-HS--1/4 MPTX3/8HS,BRS	1
73	055723	TUBE,VINYL-- 375X 625,27 00L,R	1
74	025873	MTR,AC--115/60, 33HP,MODIF	1
74	025900	MTR,AC--220/240,50, 33HP,MODIF	1
75	034648	WDMT,PLATE W/NUT	1
76	002408	PIN,ROLL-- 125 DIA, 750L	1
77	002206	SCR MACH RD HD 10-24X1 00L	4
78	055390	WSHR FLT--#10 SCREW,RHIOCAPLUG	4
79	055249	BASE,MACH--18",EXTR	1
80	055245	BELT,V--6V'S,17 00 PITCH LG	1
81	054011	PULLEY,GRVD-- 6 GRV,1 00PD	1
82	034649	WDMT,TAKEUP--MOTOR BASE	1
83	003249	SCR CAP HEX HD 312-18X1 25L	1
84	003378	NUT,HEX LOCK-- 312-18,ZN PLT	4
85	003246	SCR CAP HEX HD 312-18X1 00L	4
86	055244	PANEL,FRONT--11GASTL,18"EXTR	1
87	055075	BRACKET,STL--2 31X2 15X5 75	1
88	034734	WDMT,BRACE--CHASSIS,18"EXTR	1
89	055862	CAP,BOTTOM--SPLASH GUARD,EXTR	1
90	002278	WSHR LK 262ID 489OD 062TSPLT	4
91	005373	WSHR FLT 281ID 625OD 062T STL	4
92	002243	SCR CAP HEX HD 250-20X 625L	2
93	055109	BRKT,VAC MTR--ALUM	1
94	024331	MTR,VAC--115V,BYP,3 STG,TD	1
94	024341	MTR,VAC--240V,BYP,2STG,TD W/TB	1
95	002208	SCR MACH RD HD 10-24X1 25L	1
96	055663	SPACER,RBR-- 500X 625X2 500L	2
97	002454	SCR CAP HEX HD 250-20X1 50L	3
98	046309	SPACER,PHEN-- 250X 500, 500L	3
99	005479	NUT,HEX LOCK-- 250-20,NYLOC,ZN	3
100	055066	HOSE,VAC--1 5 DIA, 14 IN ,BLUE	1
101	054577	TUBE,VINYL-- 375X 625,14 62L,R	3
102	054812	LABEL,IDENT--KENT,DIE-CUT,WHT	2
103	003416	SCR TPG F WSH HD 10-24X 875L	3
104	003406	NUT,HEX-- 10-24,SS	3
105	111625	WSHR FLT 500ID1 50OD 062T NYL	1
106	001289	SCR MACH RD HD 10-24X 500L	1
107	054799	PULLEY--BRUSH DRIVE,1 25OD,6GR	1
108	004238	WSHR FLT 531ID1 00OD 071T STL	4
110	050815	COUPLING,QUICK DISCONNECT--BRS	1
111	053901	GROM--1 93 ID,2 75 MHD, 125 PA	1
112	034776	ASM,COUPLER & ADAPTER--EXTR	1
113	706704	CUFF-HOSE SAME AS 16425	1
114	024375	CAPACITOR--270-324MFD,220-250V	1
114	028798	CAPACITOR	1
115	052338	GROMMET,RUBBER-- 87X1 12X 44TH	1
116	025909	ASM,WIRE--5CNDCT,41,COMB	1
117	056098	NOZZLE,SPRAY--110DEG,TIP REMOV	5
118	025859	CAP,CAPACITOR--2 06D,PLSTC	1
118	051714	CAP,ELEC--CAPACITOR,MACHINED	1
119	054707	CLAMP,CAPACITOR--2 06D,GALV S	1
120	005480	NUT,HEX LOCK-- 10-24,NYLOC	1
121	002371	SCR TPG F PAN HD 10-24X 625L	3
123	054577	TUBE,VINYL-- 375X 625,14 62L,R	1
124	054571	ELBOW,PP-HS--1/8MPTX3/8HS,BRS	2
125	025965	VALVE,SOLENOID--115V, 156 ORI	1
125	025967	VALVE,SOLENOID--220/50,240/60	1
126	054583	PLUG,EXPANSION-- 75DIA,SNAPTIE	1
127	055724	SCREEN,ALUM--SOL INTAKE,18EXTR	1
128	224012	WSHR FLT 219ID 500OD 065T STL	5
129	055811	EXTRUSION,VINYL--GASKET,18EXTR	1
130	054730	SEAL,GREASE-- 875 OD X 375 ID	1

WIRING DIAGRAM



HYDRAULIC DIAGRAM

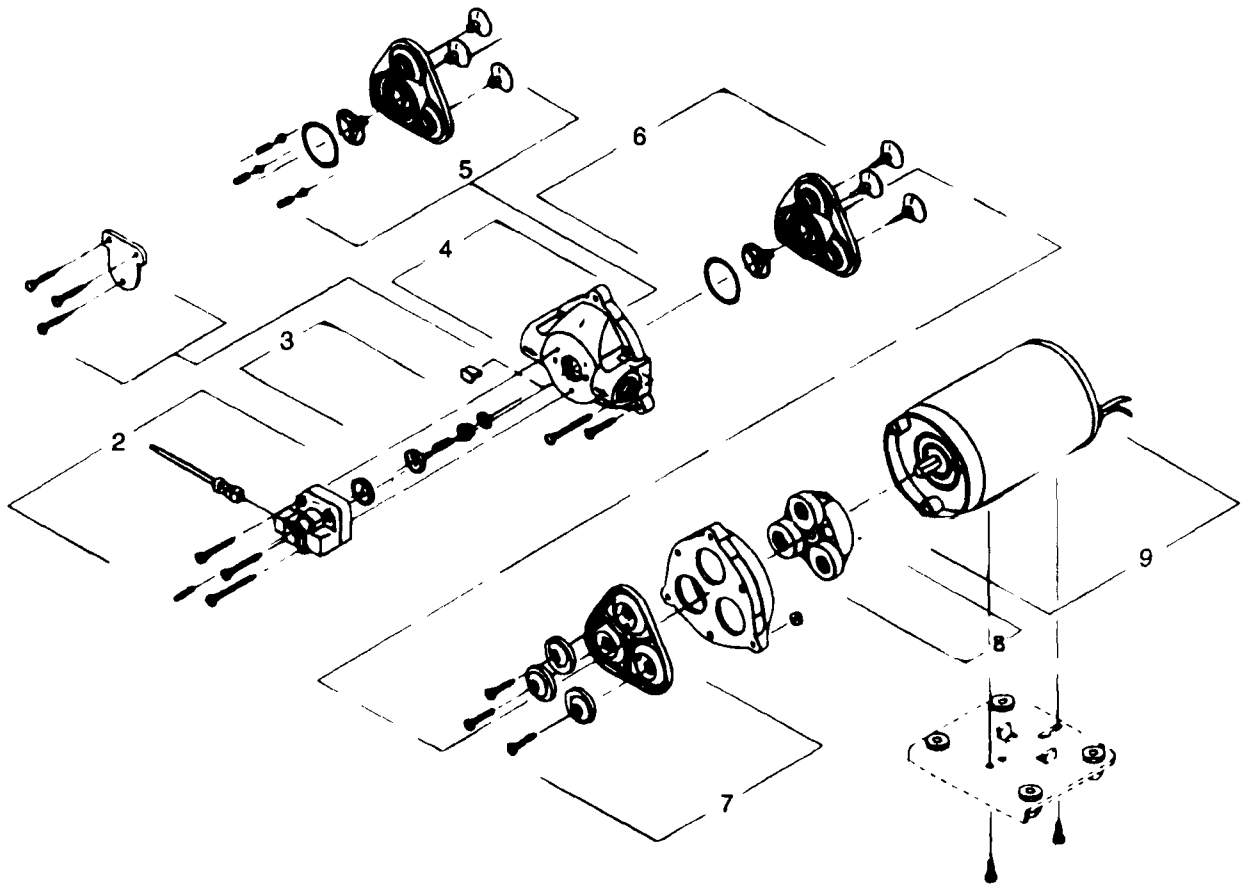


WATER PUMP DIAGRAM

Part Number*	1	24333	24346	33938	34339
Shurflo Part No.		8000-232-236	8000-791-946	8000-713-938	8000-701-238
Psi		60	60	100	100
Voltage		115	230	115	230
Pressure Switch	2	39502	39502	39503	39503
Check Valves	3	39348	39348	39348	39348
Housing	4	39358	39358	39359	39359
Valves	5,6	39504	39504	39504	39504
Diaphragm	7	39343	39343	39343	39343
Drive Asm.	8	39360	39361	39362	39361
Motors W/rectifiers	9	39347	39363	39349	39363

*- NO. 1 is the complete pump assembly.

**- Replacement rectifiers are only for motors with an external rectifier.
The later designed motors have an internal rectifier, these rectifiers are not replaceable.



TROUBLE SHOOTING

PROBLEM	CAUSE	SOLUTION
Belt squeaks.	<ol style="list-style-type: none"> 1. New machine. 2. Brush drive belt may be loose 	<ol style="list-style-type: none"> 1 Tip machine slightly back to start for the first minute or two of use 2 Remove cover and turn the Belt Adjustment Screw clockwise until tight
Solution leaks through nozzles while the machine is off.	<ol style="list-style-type: none"> 1. Check valve may be clogged. 	<ol style="list-style-type: none"> 1 The check valve needs to be cleaned or replaced
No solution through nozzles when the pump switch is depressed.	<ol style="list-style-type: none"> 1. Hose, filter, check valve, or nozzles may be clogged 2. Water pump may not be operating. 3. Water pump may have failed. 4. Solution tank may be empty. 	<ol style="list-style-type: none"> 1 Clean hose, filter, check valve, or nozzles 2 Check switch and wiring for failures 3 Replace pump 4. Fill tank with solution
Uneven solution spray pattern.	<ol style="list-style-type: none"> 1. Nozzle, nozzle tip, or filter may have lime or soap build up 	<ol style="list-style-type: none"> 1. Unscrew the nozzles and clean with vinegar. Do not use an object that may scratch or punch through the nozzle opening. Enlarging the opening may waste water
Machine isn't removing old rug stains.	<ol style="list-style-type: none"> 1. Nozzle tips may be worn. 2. Stain may need to be pretreated with cleaning chemicals. 	<ol style="list-style-type: none"> 1 Replace nozzle tips making sure alignment allows spray to form a straight line 2. Carefully pretreat all stains using recommended chemicals and methods before extracting
Machine doesn't extract enough water from solution soaked carpet.	<ol style="list-style-type: none"> 1 Vacuum motor may have failed 2 Gasket may be leaking 3. Hose may have loose connection or the suction nozzle may be obstructed 4. Vacuum tube (Figure 6) may be obstructed. 5. Drain valve may be open or leaking. 6. Hose may be damaged. 	<ol style="list-style-type: none"> 1. Repair or replace vacuum motor 2 Locate torn or missing gasket and replace 3. Connect loose hose or remove obstruction 4. Clear vacuum tube screen of obstruction 5 Close or replace valve 6. Repair or replace hose
Solution or foam is entering vacuum port.	<ol style="list-style-type: none"> 1. Recovery tank may be overflowing into the vacuum tube. 2. Tube connections may be leaking. 	<ol style="list-style-type: none"> 1. Use non-foaming chemicals and do not let recovery tank capacity surpass the recommended level (see CARPET EXTRACTION) 2. Reseal tube connections
Indicator light not lit.	<ol style="list-style-type: none"> 1. Power cord may not be plugged in. 2 Power source may not have power. 3. Indicator light may have failed. 	<ol style="list-style-type: none"> 1. Plug cord into appropriate outlet 2 Check outlet for power Note. This machine is not equipped with a breaker/fuse 3. Replace indicator light
Leaking drain valve.	<ol style="list-style-type: none"> 1. Valve seal may be obstructed with debris. 2. Valve seal may be worn. 	<ol style="list-style-type: none"> 1. Clear valve seal from dirt and debris 2. Replace valve
Brush motor runs but brush doesn't spin.	<ol style="list-style-type: none"> 1. Brush drive belt may be loose. 2. Brush drive belt may be broken. 3. The roll pin located inside the motor pulley may be broken. 	<ol style="list-style-type: none"> 1. Remove cover and turn the Belt Adjustment Screw clockwise until tight 2. Replace belt 3. Replace roll pin (detail 76 in illustration)

THE KENT LIMITED WARRANTY

Your Kent equipment which has been manufactured, tested, and inspected in accordance with carefully specified engineering requirements, is warranted to be free from defects in material and workmanship. This warranty is, however, subject to the following qualifications, conditions and limitations which are set forth to provide you and all users of the equipment with information concerning the duration, extent, availability and applicability of the Kent limited warranty, the procedure to be taken to obtain its performance and other information concerning the Kent warranty policy.

The Kent Limited Warranty is Extended to the Original End User as Follows:

All Kent cord electric machines with the exception of upright and two motor upright vacuums have a three year warranty on parts and one year labor coverage. Upright and two motor upright vacuums have a one year parts and labor warranty. Motor and gear unit assemblies on 175 RPM floor machines carry a warranty of five years.

Poly components carry a ten year replacement warranty with one year service labor. This warranty will not cover damage attributable to the following:

- Improper, unreasonable or negligent use or abuse of the equipment
- Use of the equipment with hot water (over 130 deg F, 54 deg C)
- "Warpage", "Creepage", or "Distortion" of the part so long as the same does not interfere with normal operation
- Abrasions or punctures of the equipment

The start date of the warranty coverage shall be the date the machine was shipped from the factory, or with proof of purchase, the purchase date of the original end user. The start date of the warranty shall not exceed one year from the ship date from the factory.

Parts of Kent Equipment Not Covered by the Kent Limited Warranty

Certain parts of Kent Equipment require replacement in the ordinary course of use due to normal wear by reason of their characteristics. These are normal wear items such as cords, squeegee blades, belts, gaskets, bumpers, carbon brushes, filters, hoses, bags, etc.

Exceptions and Exclusions from Warranty

This equipment is required to be used on electric current as indicated on the dataplate. Otherwise damage, defects, malfunctions or other failures of the equipment arising from the use on electric current not as indicated are excepted and excluded from this warranty. Defects, malfunctions, failure, or damage of the equipment caused by improper, unreasonable or negligent use or abuse of the equipment are likewise excluded from this warranty. If repair is done to the equipment by anyone other than those designated as authorized to perform such work without having obtained factory authorization in writing, the Kent Company at its sole option, may determine that this warranty will not apply and that reimbursement for such repair will not be made because of the failure to comply with such factory instructions.

Procedure to Be Taken to Obtain Performance of Warranty Repair

To secure repair of the equipment or any warranted parts under this warranty, the following procedure must be taken. The inoperative equipment or warranted parts together with satisfactory evidence of the purchase date, must be delivered, with shipping and delivery charges prepaid, to one of the following:

- The dealer from whom purchased
- Any Kent distributor's service department in the United States
- Any Kent authorized service station in the United States

If you are unable to locate any of the above, you may write or otherwise communicate with The Kent Company for instructions before repair service is performed by anyone else. In such event, The Kent Company will provide either the location of a closely available Kent service department or other factory instructions. In the event that no closely available service department is available, Kent at its discretion will repair or replace the part or equipment at the factory, the products will be returned to the owner freight prepaid. No warranty will be honored without proof of purchase, the model number and serial number if applicable.

Replacement

In the event of a defect, malfunction or failure of your Kent equipment or any warranted part to conform with this warranty, The Kent Company may, at its sole option and own expense, replace the equipment or any warranted part with another new identical or reasonably equivalent model or part in lieu of repairing the defect.

No Refund of Purchase Price

The Kent Company will not, as a matter of its warranty policy, refund the customer's purchase price.

Warranty Registration

Your Kent Company distributor from whom you purchased your equipment is responsible for the registration of your warranty with the factory. We ask that you cooperate with your distributor in supplying the necessary information on the warranty card so that we may better serve you. Any information or questions that you may have concerning your Kent equipment or this warranty may likewise be obtained from the factory. This warranty gives you specific legal rights and you may also have other rights which vary from state to state.