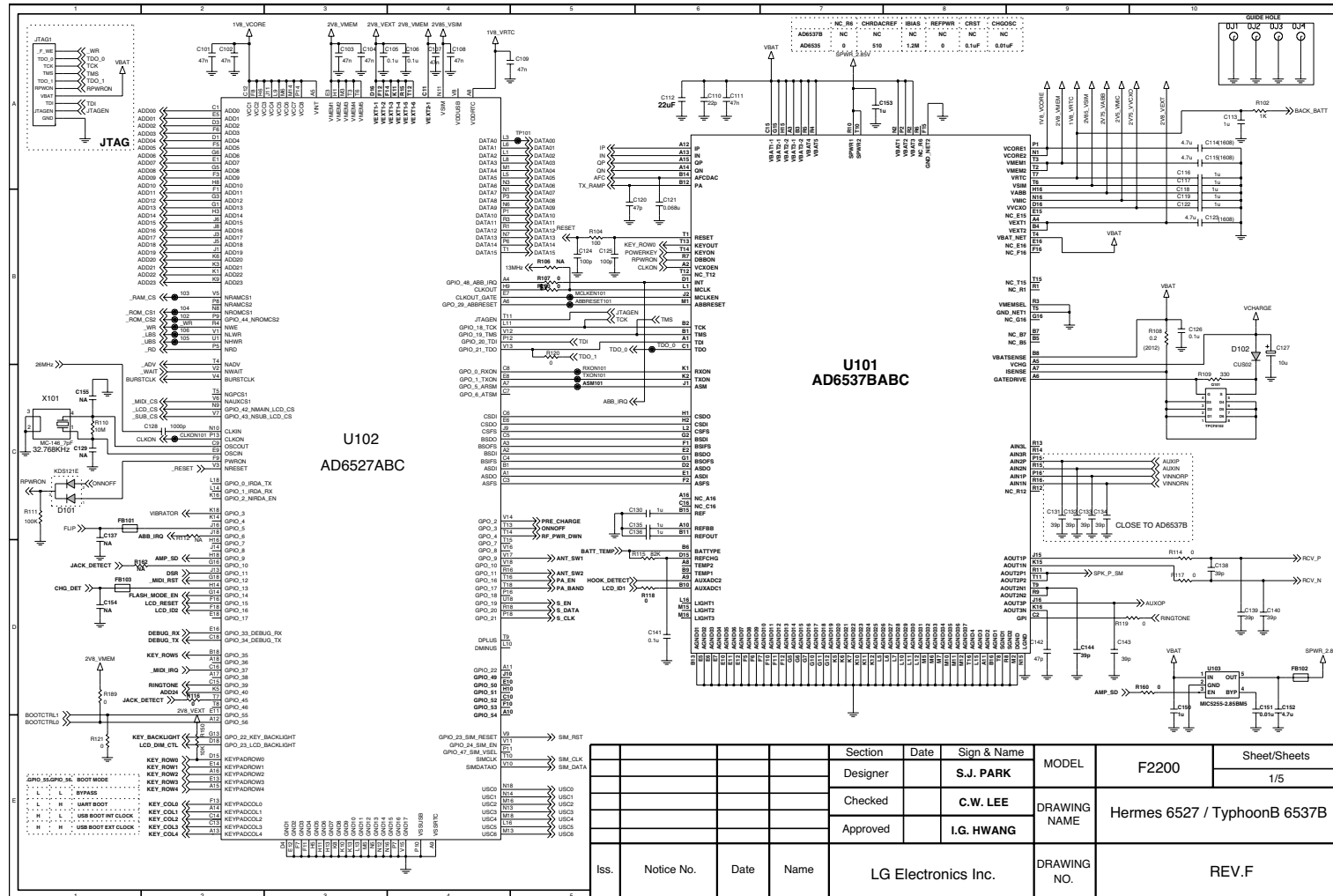


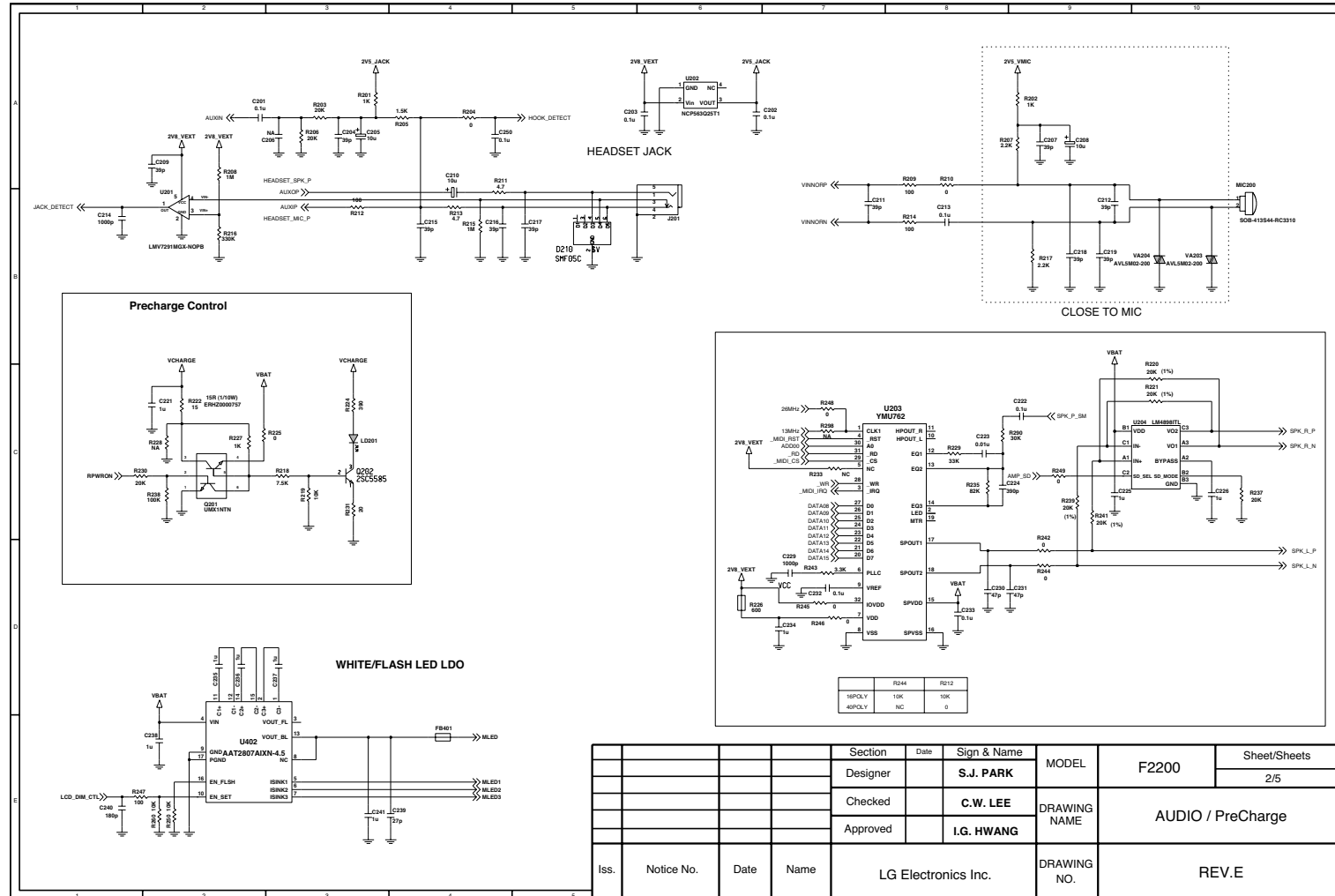
7. Принципиальная схема



LGIC(42)-A-5505-10-01

LG Electronics Inc.

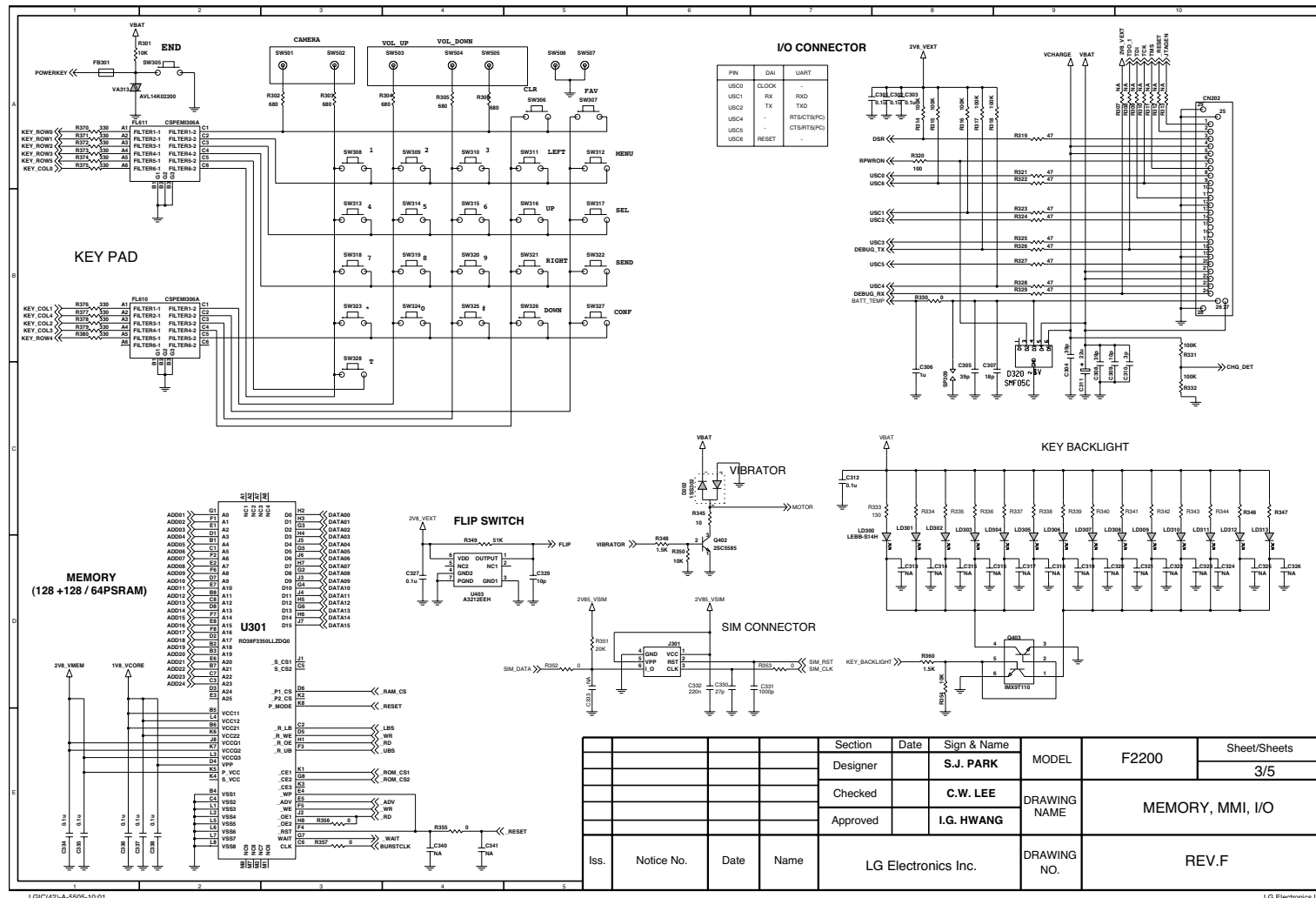
7. Принципиальная схема



LGIC(42)-A-5505-10.01

LG Electronics Inc.

7. Принципиальная схема

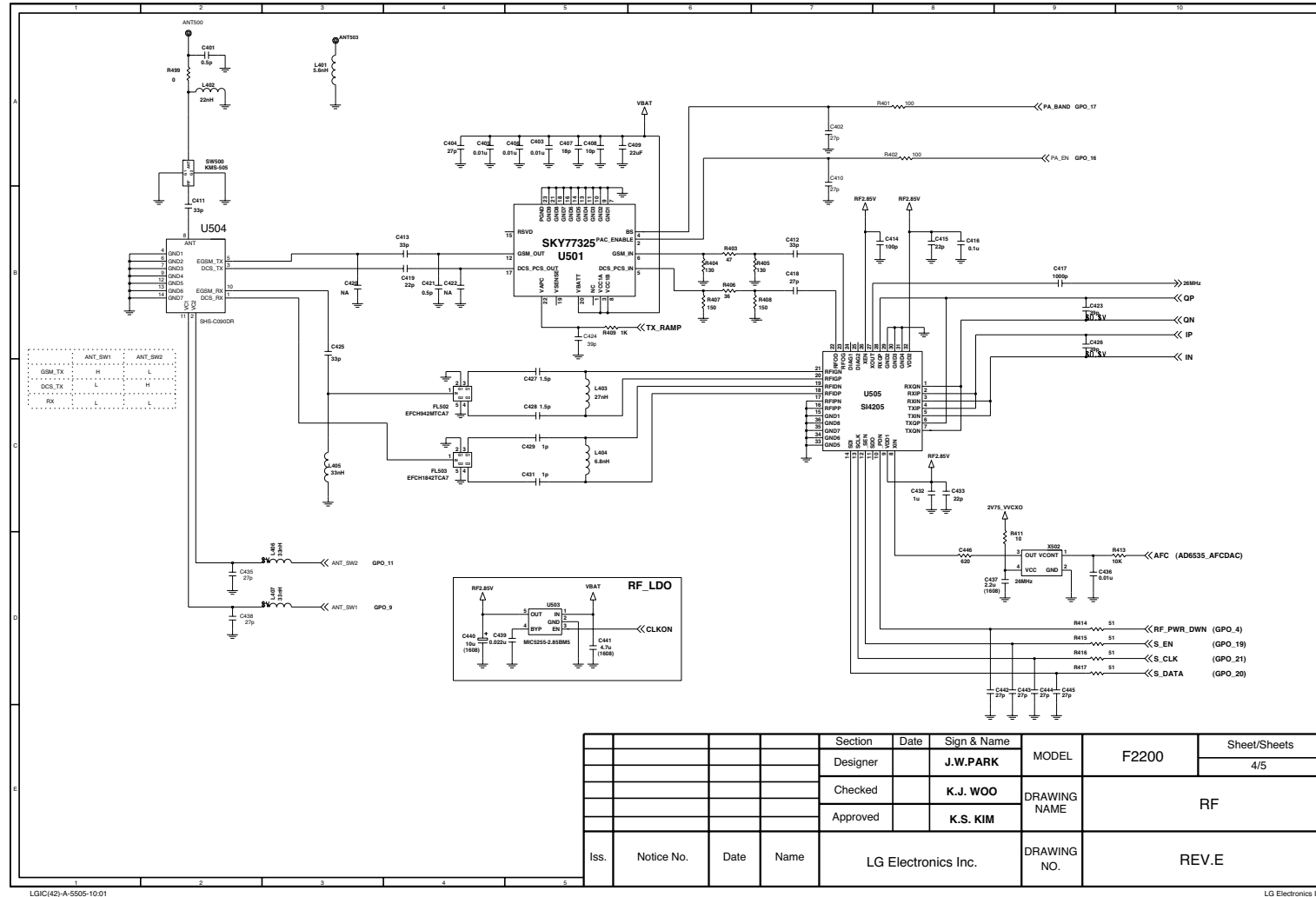


Section	Date	Sign & Name	MODEL	F2200	Sheet/Sheets	
Designer		S.J. PARK	DRAWING NAME	MEMORY, MMI, I/O	3/5	
Checked		C.W. LEE				
Approved		I.G. HWANG				
ISS.	Notice No.	Date	Name	LG Electronics Inc.	DRAWING NO.	REV.F

LGIC(42)-A-5505-10.01

LG Electronics Inc.

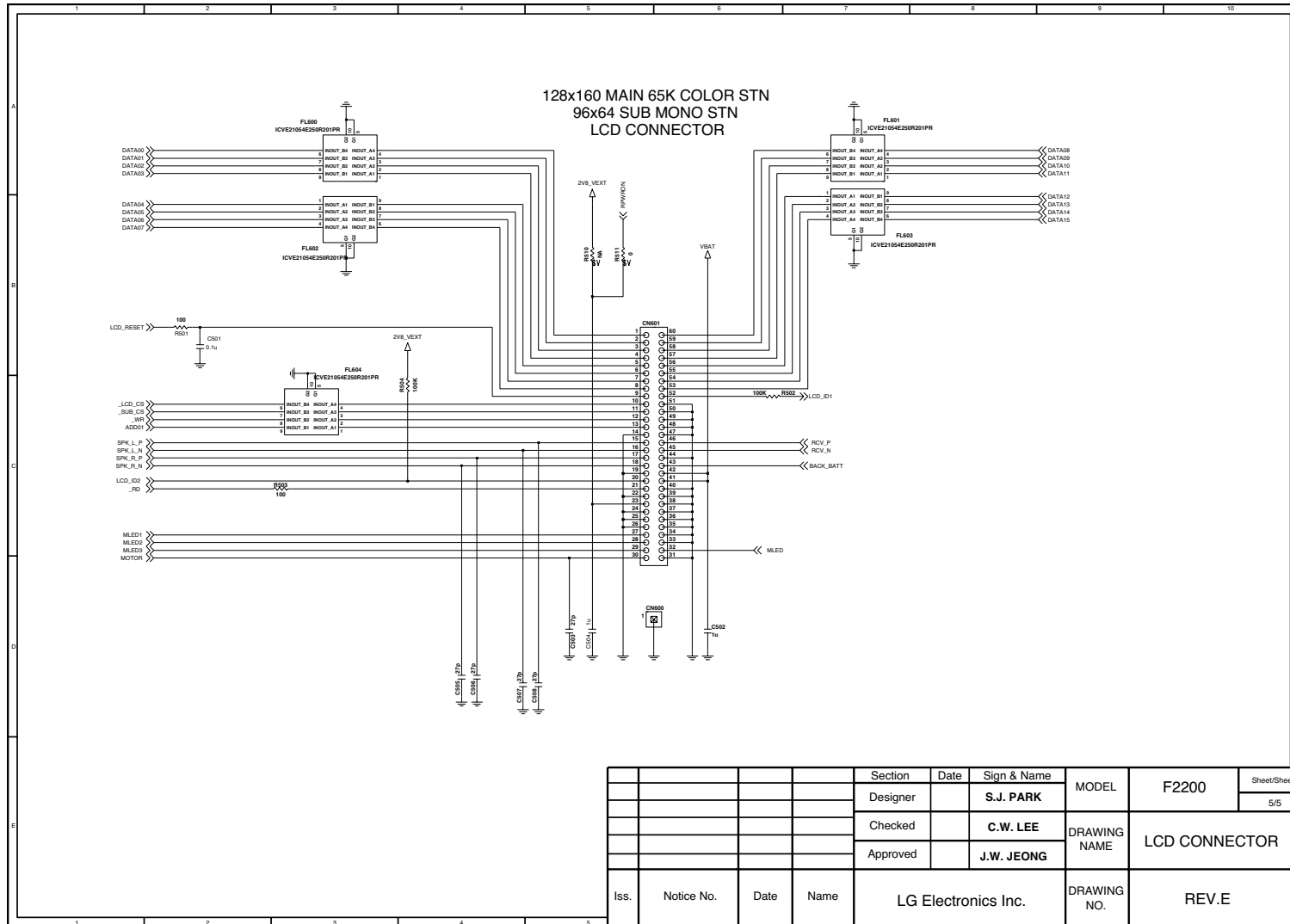
7. Принципиальная схема



LGI(42)-A-5505-10.01

LG Electronics Inc.

7. Принципиальная схема



					Section	Date	Sign & Name	MODEL	F2200	Sheet/Sheet
					Designer		S.J. PARK			5/5
					Checked		C.W. LEE	DRAWING NAME	LCD CONNECTOR	
					Approved		J.W. JEONG			
Iss.	Notice No.	Date	Name	LG Electronics Inc.			DRAWING NO.	REV.E		

LGIC(42)-A-5505-10/01

LG Electronics Inc.

www.s-manuals.com