

7. BLOCK DIAGRAM

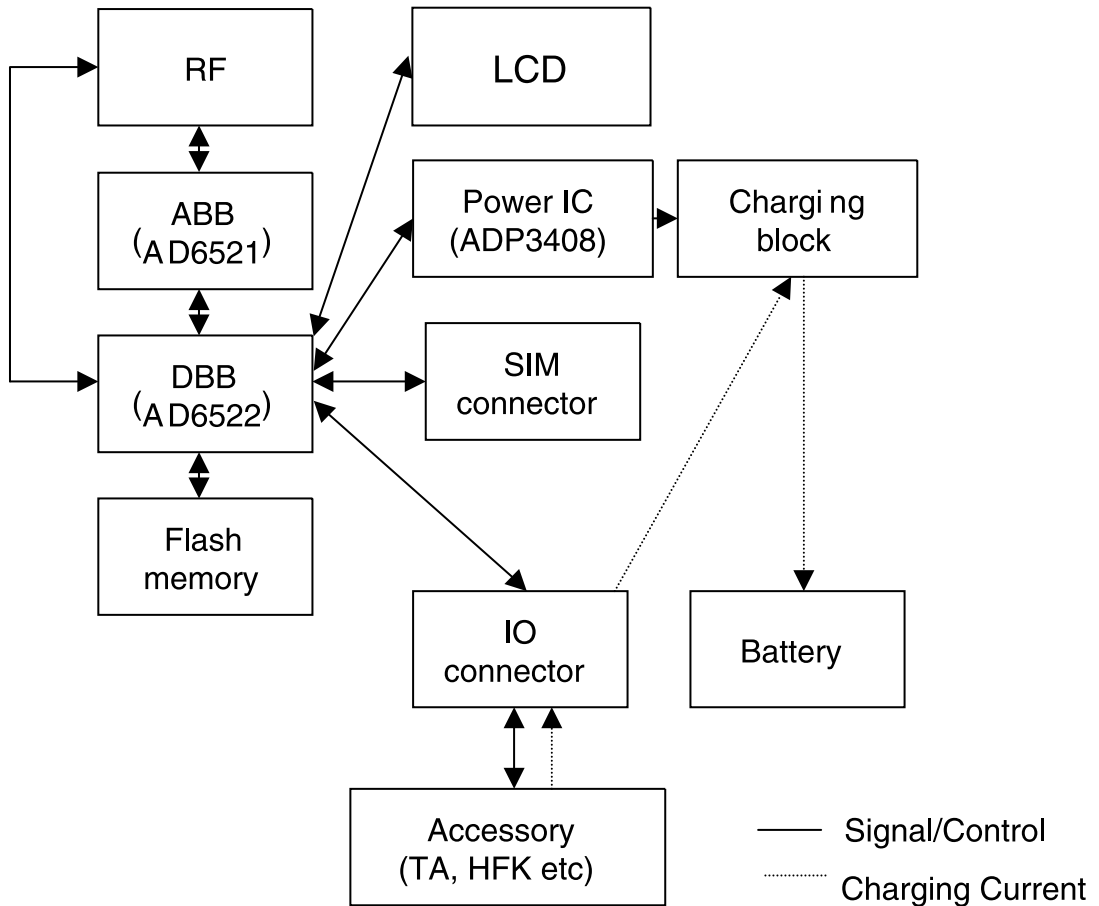
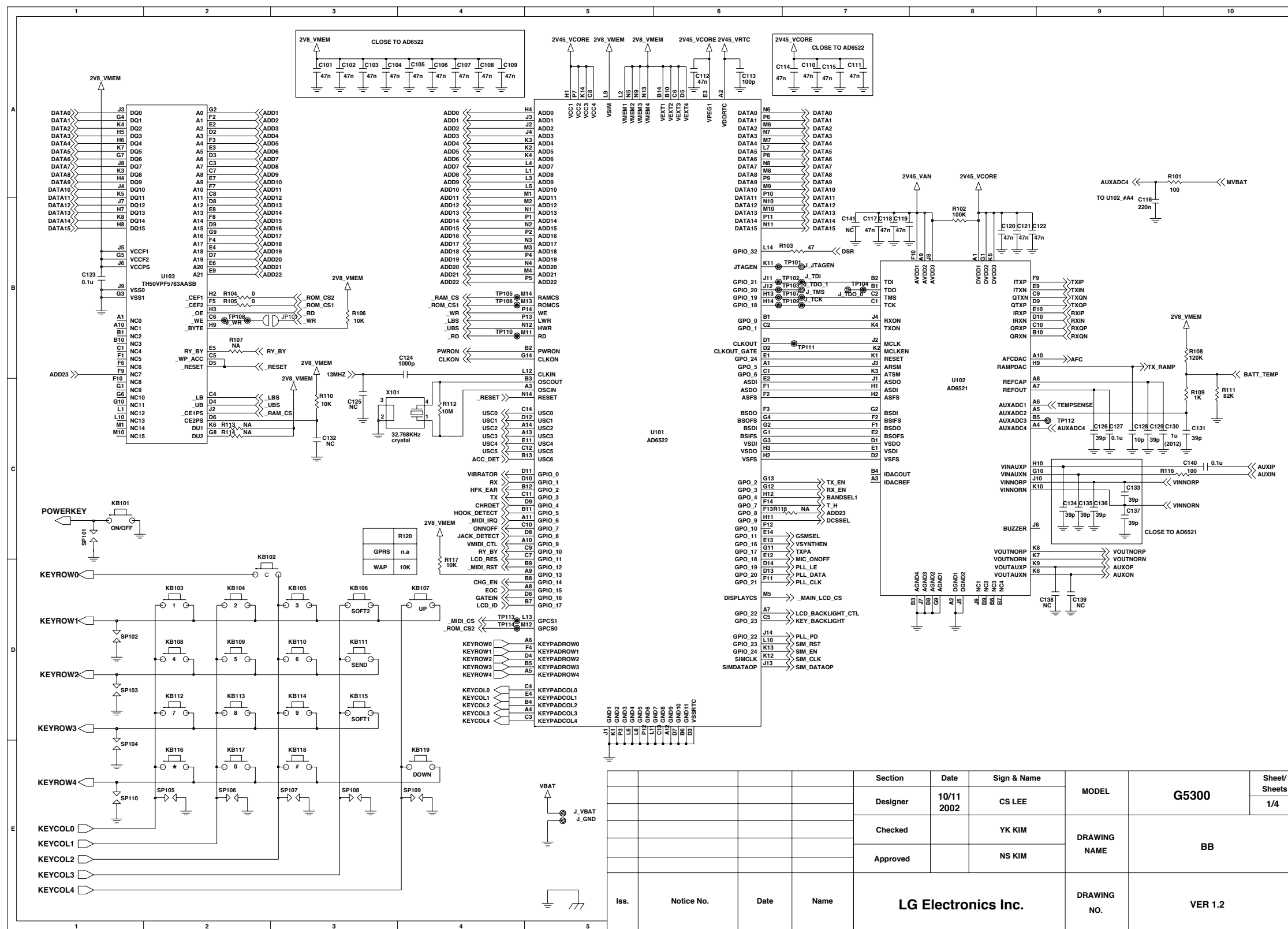


Figure 7-1. block diagram

8. CIRCUIT DIAGRAM

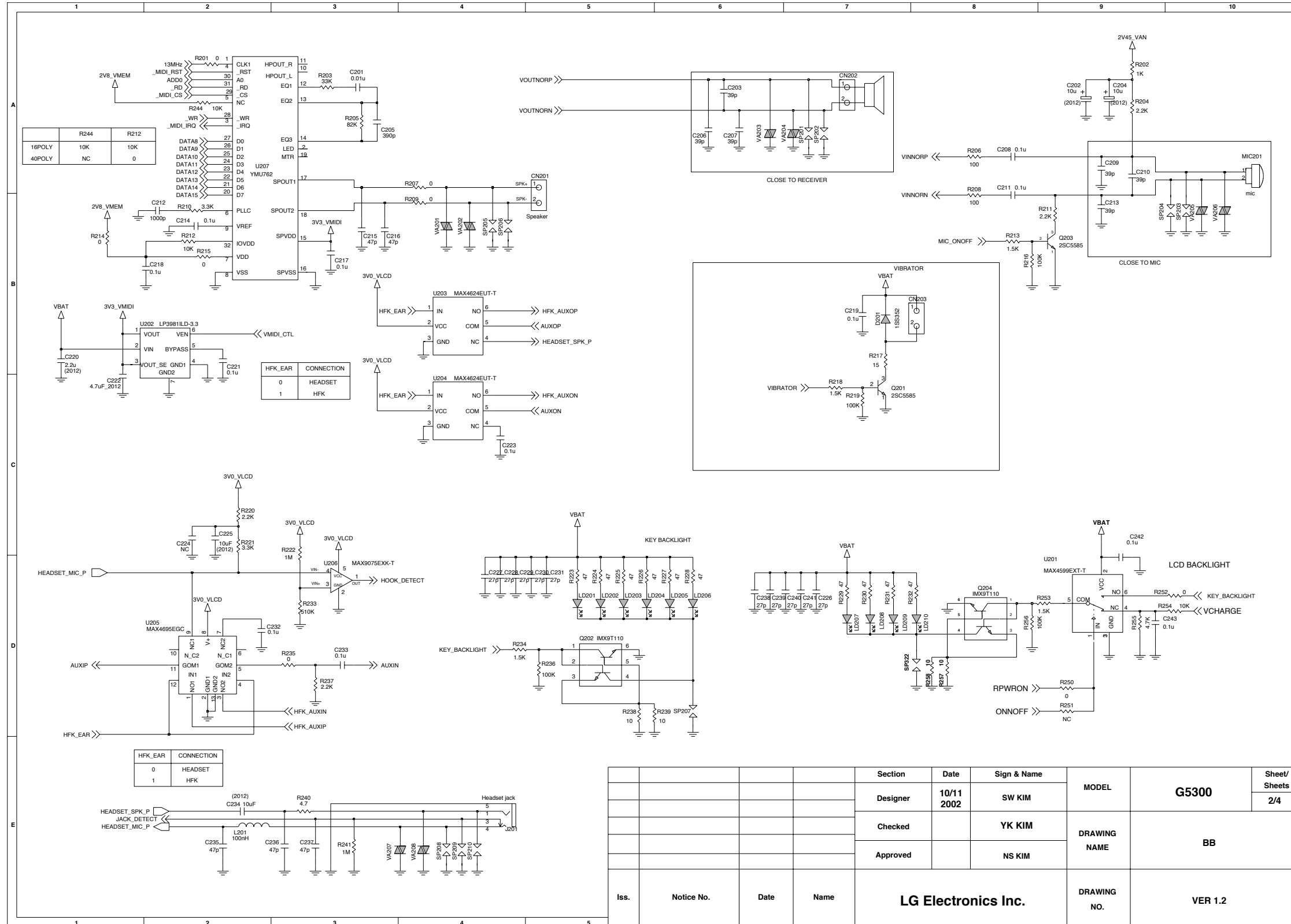
8.1 MAIN



Section	Date	Sign & Name	MODEL	G5300	Sheet/ Sheets
Designer	10/11 2002	CS LEE			1/4
Checked		YK KIM	DRAWING NAME	BB	
Approved		NS KIM			
Iss.	Notice No.	Date	Name	DRAWING NO.	VER 1.2
LG Electronics Inc.					

8. CIRCUIT DIAGRAM

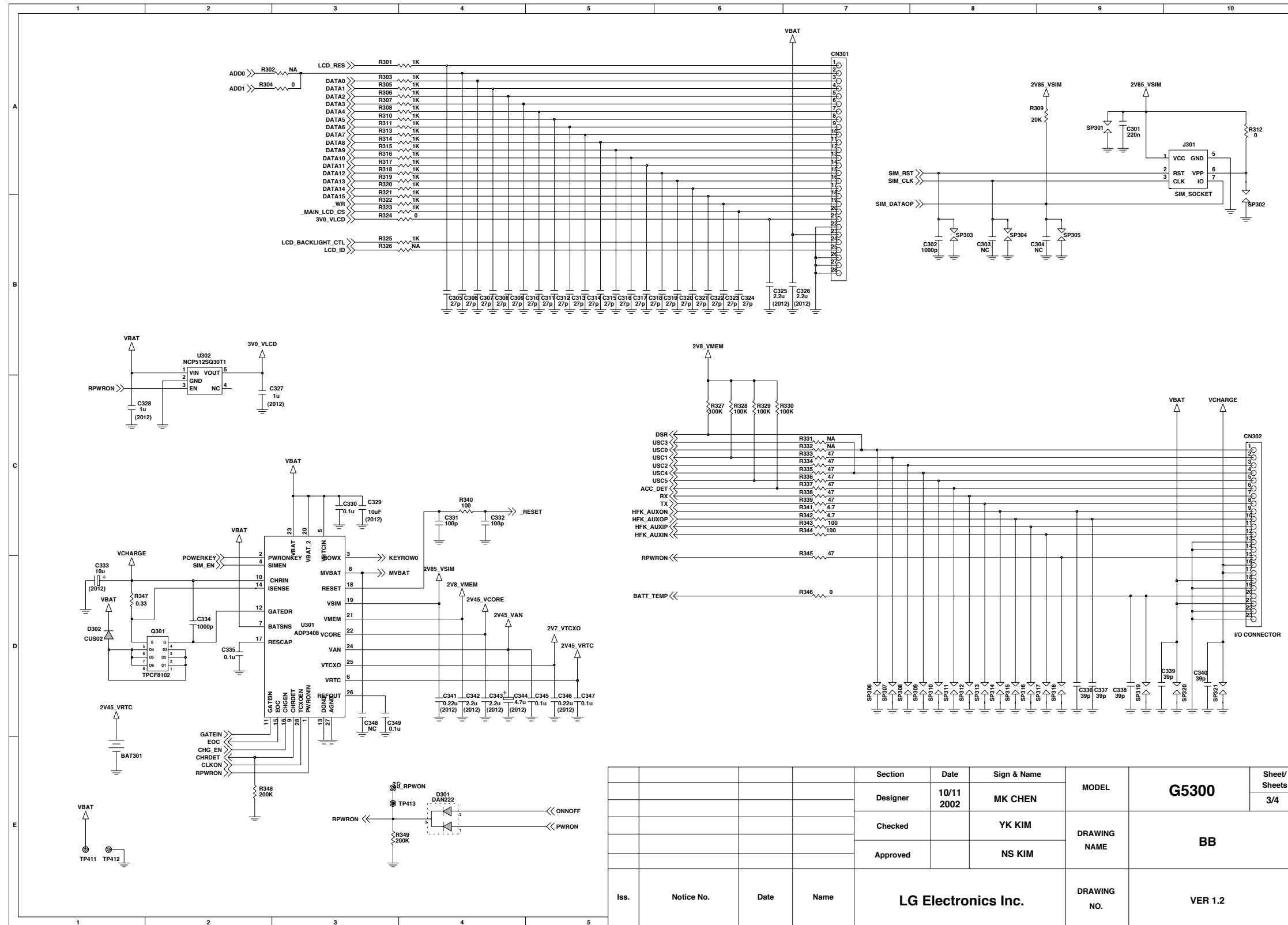
8.2 MEMORY & MMI



LGIC(42)-A-5505-10:01

LG Electronics Inc.

8.3 MIDI



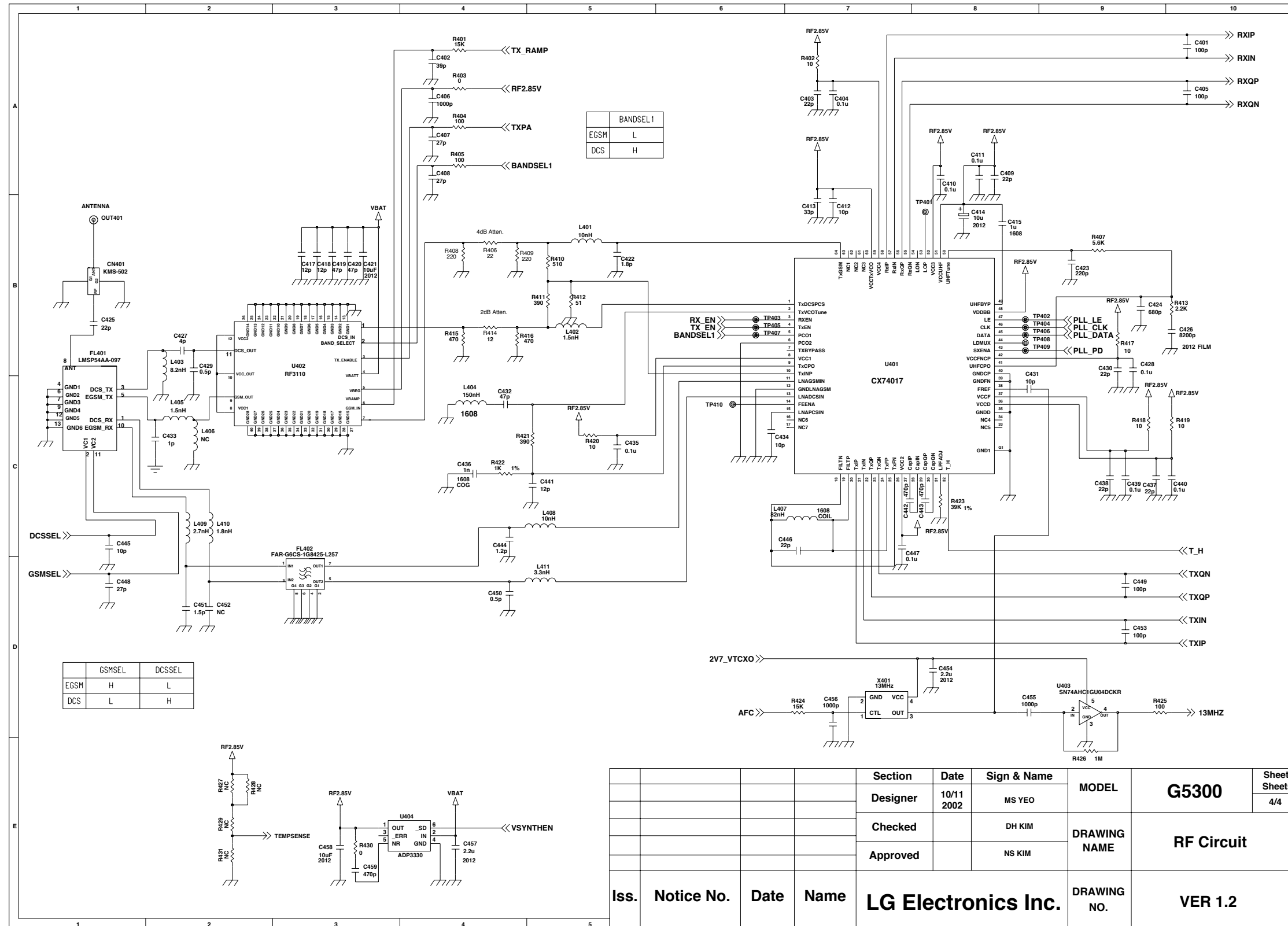
Section	Date	Sign & Name	MODEL	G5300	Sheet/ Sheets
Designer	10/11 2002	MK CHEN			3/4
Checked		YK KIM	DRAWING NAME	BB	
Approved		NS KIM			
Iss.	Notice No.	Date	Name	DRAWING NO.	VER 1.2

LGIC(42)-A-5505-10:01

LG Electronics Inc.

8. CIRCUIT DIAGRAM

8.4 RF CIRCUIT



	GSMSEL	DCSSEL
EGSM	H	L
DCS	L	H

	BANDSEL1
EGSM	L
DCS	H

				Section	Date	Sign & Name	MODEL	G5300	Sheet/
				Designer	10/11	MS YEO			4/4
				Checked		DH KIM	DRAWING	RF Circuit	
				Approved		NS KIM	NAME		
Iss.	Notice No.	Date	Name	LG Electronics Inc.			DRAWING	VER 1.2	
							NO.		

LGIC(42)-A-5505-10-01

LG Electronics Inc.

www.s-manuals.com