

**PNC**

966523901

**ML**

00

**Model**

M 40-450 C

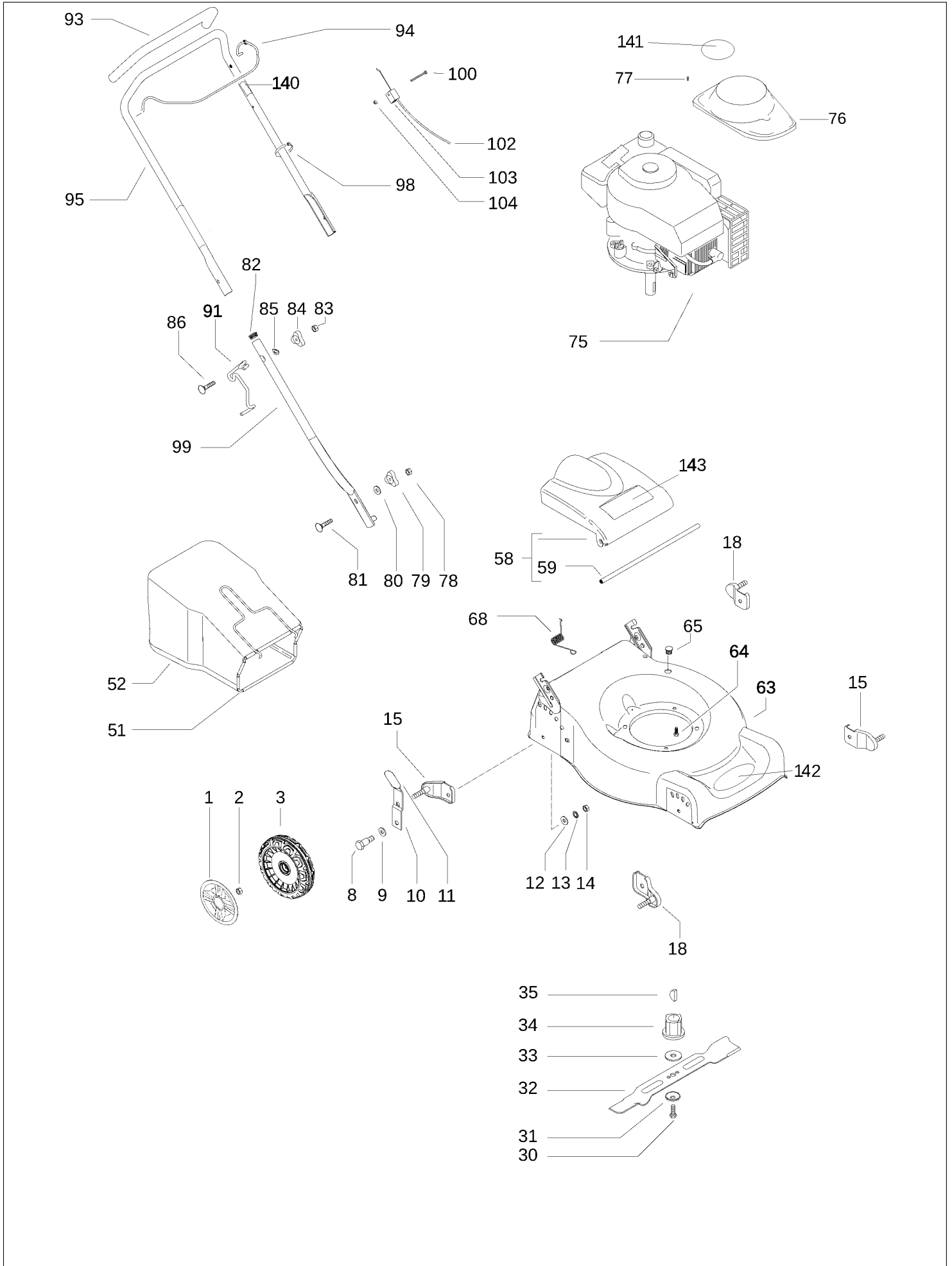
**Brand**

McCulloch

**Number of Pages 1 of 3**

<b>Factory:</b> IIQ - Valmadrera	<b>Product Group:</b> OP 93
<b>Publication Number:</b> MIPL2010_V070000020	<b>Petrol Portable</b>
<b>Publication Date:</b> 18/02/10	<b>Sub Group</b> 1071

HUSQVARNA OUTDOOR PRODUCTS ITALIA SPA



## HUSQVARNA OUTDOOR PRODUCTS ITALIA SPA

Item	PN	Description	Qty	Item	PN	Description	Qty
1	504 54 17-04	wheel cover Ø170	4	99	531 20 60-71	handle, lower half	2
2	504 85 78-01	nut	4	100	531 20 63-46	screw M5x40	1
3	505 43 58-01	wheel Ø170	4	102	531 21 35-22	brake cable	1
4	505 22 74-01	washer	4	103	531 20 80-43	cable support	1
8	531 20 49-12	screw M10x26.4	4	104	531 20 52-13	nut M5	1
9	531 20 66-43	washer	4	140	576 28 32-01	label, brake handle	1
10	531 21 24-57	wheel regulator lever	4	141	576 28 38-01	label, cover engine	1
11	531 20 79-86	sheating	4	142	576 28 53-01	label, front cover	1
12	531 20 79-89	washer	4	143	531 20 98-16	label, safety flap	1
13	531 20 89-74	washer	4				
14	531 20 79-78	nut M10x26.4	4				
15	504 85 16-01	wheel's support	2				
18	504 85 15-01	wheel's support	2				
30	531 20 80-08	screw, 3/8"	1				
31	531 20 72-37	spring washer	1				
32	531 21 16-53	blade	1				
33	531 20 72-43	washer	1				
34	531 20 72-42	blade support	1				
35	505 29 09-01	key	1				
52	531 21 34-67	sack frame	1				
53	531 21 14-37	sack	1				
58	531 21 26-46	safety flap	1				
59	531 20 50-60	bar, safety flap	1				
63	531 21 39-80	deck	1				
64	531 21 28-51	screw 3/8" + split washer	3				
65	531 20 53-18	cap	1				
68	531 20 59-99	spring	1				
75	———	engine, Briggs & Stratton, model number 09T5020134B1	1				
76	———	cover engine	1				
77	531 21 27-10	screw cover engine	2				
78	531 20 79-82	nut M8	2				
79	531 20 49-23	knob	2				
80	531 20 49-22	washer	2				
81	531 20 49-21	screw M8x25	2				
82	531 20 89-50	cap	2				
83	531 20 79-82	nut M8	2				
84	531 20 49-23	knob	2				
85	531 20 70-90	washer	2				
86	531 20 70-89	screw M8x50	2				
91	504 70 86-01	starter cable guide	1				
93	531 20 59-89	handle sheat	1				
94	504 70 83-04	brake lever	1				
95	504 70 80-01	handle, upper half	1				
98	531 20 55-81	binder	2				