

# MASTER®



SPAREPARTS  
PRICELIST

### **Searching method in this pricelist:**

- Find correct exploded view of the heater for which you need parts.
- Find key number, partnumber and description on side page of each exploded view.
- Find part in alphabetical order for direct fired heaters in frontpages.
- Find part in key number ranking for all other heaters in pages near exploded view.
- Order parts with Desa Europe codenumber.

### **New Order Policies for 2002/2003 Seasons**

#### 1. Minimum value orders:

All orders will have a minimum value of 100 Euro's  
(after all dealer discounts are applied)  
To cover administration fees

#### 2. Orders will be shipped Via UPS Delivery (unless otherwise specified by the customer)

Various types of service will be available including:  
Express next day service  
Express saver next day service  
Standard Two day service  
Expedite service for shipments Outside the EC.  
Shipping Costs will be added to your final invoice as in the past.

#### 3. Package Tracking Ability

All packages sent by UPS Express, Express saver, and Standard will receive a tracking number which will be sent to you as soon as your order has been shipped. This will allow you to track your packages from the moment they have been shipped to you.  
Please give your E-mail address when placing your order with DESA Italia.

**Master parts can be found and ordered by authorised dealers on the  
Desa Europe  
Internet website from September 1, 2002.**

**Please visit our website:**

**[www.desaeurope.com](http://www.desaeurope.com)**

**Welcome to Desa Europe on the Web !**

Alle Preise sind in Euros exkl. Mwst.  
Lieferung ab Werk - Verona - Italy

All prices are in Euros excl. V.A.T.  
Delivery ex Warehouse - Verona - Italy

We reserve the right to amend these specifications  
at any time without notice.

# *INDEX*

<b>MASTER OIL HEATERS</b> .....	<b>1</b>
<b>DEHUMIDIFIERS</b> .....	<b>2</b>
<b>VAL 6</b> .....	<b>3</b>
<b>MASTER ELECTRIC</b> .....	<b>4</b>
<b>MASTER PROPANE GASHEATERS</b> .....	<b>5</b>
<b>MASTER VENTED HEATERS</b> .....	<b>6</b>
<b>MASTER ACCESSOIRES</b> .....	<b>7</b>
<b>PRICELIST</b> .....	<b>8</b>



# MASTER OIL HEATERS



1



# DIRECT FIRED FORCED AIR HEATERS

## *Illustrated Parts Lists*



**Heater Sizes: 35,000 70,000 100,000 150,000 Btu/Hr**

### **Models**

**35CEA, 70CEA, 100CEA, 150CEA**

**35CEB, 70CEB, 100CEB, 150CEB**

**35CED, 70CED, 100CED, 150CED**

**35CEH, 70CEH, 100CEH, 150CEH**

**35CEL, 70CEL, 100CEL, 150CEL**



## DESA International Master Number Reference Index

Master NR	Description	Art. Code	Master NR	Description	Art. Code
078918-01	TAB CAP	4108.547	097752-01	CONTR. BOX	4101.111
079673 07	CORD POWER	4110.038	097785 01	GASKET VINYL FOAM	4110.075
079685-01	CONNECTOR MALE	4101.155	097785 04	GASKET VINYL FOAM	4110.041
079721-01	NUT FLARED	4105.219	098068-01	HEAT SHIELD	4109.884
079721-01	ZIE 4105.219	4105.201	098083-01	IGNITOR DECAL	4101.202
079722-01	ZIE 4109.849	4106.198	098102-01	FUEL FILTER HP-MOD.	4105.829
079724-04	FUEL FILTER BV125E	4109.849	098103-01	FILTER ELEMENT	4105.088
079725-02	FUEL FILTER	4109.807	098136-05	RELAY	4103.919
079725-03	FUEL FILTER	4105.086	098165-02 (098136-02)	RELAY	4106.143
079725-04	FUEL FILTER	4105.094	098165-02 =098136-02 =4106.143		4103.917
079883-01	SWITCH	4106.188	098165-04 RELAY (= 4106.152)		4104.089
079885 01	DEACL SERIAL NUMBER	4110.039	098165-04 (098136-04)RELAY		4106.152
079919-01	COVER SWITCH	4104.336	098511-02 SHELL LOWER		4104.154
079965-01	PUMP BODY FINISHED	4101.891	098511-02 ZIE 4104.154		4103.845
079973-01	FUEL LINE	4105.508	098511-101 SHELL LOWER		4105.078
079975-02 (M 8645)	PUMP BODY	4101.317	098511-12 SHELL LOWER B35/70		4105.195
079975-03	PUMP BODY	4101.532	098511-138 (098511-61 OR 66) SHELL		4104.006
079975-03 = 4101.532 (M8645-2)		4101.171	098511-191 SHELL LOW. B100/150		4108.126
079975-04	PUMP BODY	4101.895	098511-235 SHELL LOWER B35/70		4100.636
079980-01	ADAPTER NOZZLE	4109.542	098511-236 SHELL LOWER B100/15		4100.637
097061-01	RELAY SOLENOID	4101.208	098511-26 SHELL LOWER		4105.060
097124-01	ZIE 4103.648	4106.158	098511-28 SHELL KIT		4104.159
097125-01	ZIE 4103.648	4109.559	098511-39 SHELL UPPER		4102.851
097197-02	WHEEL SUPPORT	4101.114	098511-54 SHELL UPPER		4103.842
097198-02	HANDLE REAR	4101.115	098511-58 SHELL UPPER		4105.102
097213-01	ADAPTER NOZZLE KIT	4103.648	098511-77 SHELL UPPER		4108.940
097293-01	FAN	4104.055	098512-01 COMBUSTION CHAMBER		4108.932
097307-01	ZIE 4108.555	4109.369	098512-03 COMBUSTION CHAMBER		4100.566
097308-03	MOTOR	4101.224	098512-07 COMBUSTION CHAMBER		4104.022
097308-04	MOTOR KIT NOT AV.	4108.555	098512-10 ZIE 4105.037		4104.024
097461-01AA	COVER SIDE	4104.175	098512-10 (15) COMB. CHAMBER		4105.037
097462-01	SWITCH	4106.179	098512-12 COMB.CHAMBER-NOT AVAILABLE		4101.182
097467-01	PLUG BUTTON	4106.120	098512-18 (02) COMB. CHAMBER		4105.045
097467-02	PLUG BUTTON	4106.121	098512-19 COMBUSTION CHAMBER		4109.328
097468-01	EDGE LINER	4103.850	098512-20 COMBUSTION CHAMBER		4103.719
097475-01	WIRE HARNESS+CELL	4101.117	098512-21 COMB. CHAM. B100EGC		4101.157
097475-02	WIRE HARNESS+CELL	4101.118	098512-23 COMBUSTION CHAMBER		4103.727
097514-01	FUEL LINE TUBE	4101.154	098512-25 COMB. CHAM. B150EGC		4101.159
097545-01	POWER CORD	4105.115	098512-27 COMB. CHAMB. B70EGC		4101.150
097630-02	FLAME CONTROL	4104.196	098512-31 COMB.CHAMB. B100CEA		4101.180
097650 01	DECAL TRADENAME	4110.040	098512-36 COMB CHAMBER		4104.088
097661-02AB	SIDE COVER PAINTED	4101.250	098512-43 COMB. CHAMBER		4104.060
097702-01	CAP FUEL	4103.891	098512-44 COMB. CHAMB. B70CEA		4104.090
097740-01	FITTING	4101.153	098512-55 COMB. CHAMBER R15E		4104.091
097741-01	BLOCK TERMINAL	4106.044	098512-63 COMB. CHAMBER B35CEH		4100.638
097742-02 (01)	CONTROL BOX	4106.053	098512-64 COMB.CHAMBER B70CEH		4100.639
097744-01	FUSE HOLDER	4106.134	098512-65 COMB.CHAMBER B100CEH		4100.640
097746-01	FUSE	4106.123	098512-66 COMB.CHAMBER B150CEH		4100.641
097748-01	ZIE 4106.170	4101.162	098513-04 ZIE 4105.250		4101.175
097748-02 (01)	SAFETY CONTROL	4106.170	098513-04 (03) FUEL TANK		4105.250

## DESA International Master Number Reference Index

Master NR	Description	Art. Code	Master NR	Description	Art. Code
0098513-05	FUEL TANK B 350	4101.143	1000576	GROMMET	4103.224
098513-08 (09)	FUEL TANK	4105.276	100212-01	PUMP KIT	4101.206
098513-08	ZIE 4105.276 F. TANK	4101.217	100311-01	FUEL TUBE BLP300	4104.151
098513-101	FUEL TANK B35CEH	4100.642	100647-01	M 15823-27(26) SCREW	4108.502
098513-102	FUEL TANK B70CEH	4100.643	100679-01	FASTENER	4101.141
098513-11	FUEL TANK B 150 EGC	4104.191	100680-01	CLIP MNTG.	4106.541
098513-21 = 4105.298	TANK	4104.188	100681-01	RING DRIP PROOF	4101.139
098513-23 (01)	FUEL TANK	4103.750	100682-01	FUSE HOLDER ASSY	4101.138
098513-24 (02)	FUEL TANK	4103.776	100735-05 = M 23103	NOZZLE	4108.593
098513-24	FUEL TANK	4101.177	100735-05	NOZZLE ZIE 4108.593	4101.236
098513-33	FUEL TANK B 100 EGC	4104.190	100735-11	NOZZLE B150 CEA	4103.898
098513-34	FUEL TANK B 70 EGC	4104.189	100735-14	NOZZLE	4103.486
098513-36	FUEL TANK	4105.285	100735-15	NOZZLE ASSY B100CEA	4103.559
098513-70	FUEL TANK	4105.289	100735-16	NOZZLE R15E	4103.852
098513-73	FUEL TANK B35 CEA	4105.293	100735-23	NOZZLE ASS. B100CEH	4100.645
098513-74	FUEL TANK B70 CEA	4105.295	100735-24	NOZZLE ASS. B150CEH	4100.646
098513-75 = 4105.298	TANK	4105.297	100735-25	NOZZLE ASS. B70CEH	4100.647
098513-76	FUEL TANK B150 CE	4105.290	100735-26	NOZZLE ASS. B35CEH	4100.648
098513-89	FUEL TANK B 35 CEB	4105.294	100735-27	NOZZLE REM12	4100.650
098513-90	FUEL TANK B 70 CEB	4105.296	101205-02	BRACKET MOTOR	4109.560
098513-97	FUELTANK D30/EHGB100	4104.192	101206-01	BRACKET MOTOR REPLACE 4110.186	4101.240
098557-07	ZIE 4106.089	4106.091	101695-01	PLUG BUTTON B100/150	4100.649
098557-07 (05)	SEE 4106.095	4106.089	102001-03 (102040-01)	MOTOR	4108.550
098641-07	IGNITOR	4101.179	102001-06	MOTOR KIT	4101.260
098784-02	MOTOR B150 =4105.227	4106.125	102001-09 (M 23107-6)	MOTOR	4108.742
098872 03	POWER CORD	4103.881	102001-10	097464-01 MOT.70EGC	4106.109
098892-01	BRACKET	4103.856	102001-11 (097464-02)	MOTOR-INACTIVE	4106.118
098894-01	RELAY POWER-NOT AVAILABLE	4104.567	102001-15 (098642-01)	MOTOR SEE 4110.042	4106.098
098918-01	MOTOR B 30	4103.818	102001-16 (098782-02)	MOTOR	4106.107
098918-02 (078894-04)	MOTOR	4103.800	102001-17 (098783-02)	MOTOR	4106.116
098918-02	ZIE 4103.800 MOTOR	4101.230	102001-18	MOTOR NOT AVAILABLE	4106.128
098918-04	MOTOR	4103.905	102001-19 (102803-01)	MOTOR	4109.780
098918-05	MOTOR	4104.071	102001-23	MOTOR B70CEH	4100.651
098918-06	MOTOR-NOT AVAILABLE	4103.995	102001-24	MOTOR 100/150 REPLACE 4110.080	4100.652
099125-01	BOARD TERM	4101.216	102042-01	FAN	4105.062
099125-02	BOARD TERMINAL	4103.884	102243 01AA	FAN GUARD B350CEA	4103.880
099125-13	BOARD TERMINAL	4106.110	102336-01	BRCKT NOZZLE ADP CEH/CEL	4100.653
099177-01	NUT HEX	4109.592	102349-01	PC-BOARD SUPPORT	4100.654
099213-01	PLUG BUTTON	4106.122	102431-01	zie 4109.590 SCREW	4109.594
099229-01	BR.PH.CELL	4101.214	102482-01	IGNITION DEVICE KIT	4101.222
099509-03	WIRE HARNESS	4106.584	102482-02	IGNITOR	4106.095
099566-03	THERMOSTAT B350	4103.882	102482-03 (098641-07)	IGNITOR	4106.090
099617-01	FILTER EMC	4108.972	102548-05	IGNITOR KIT HSI	4100.655
099646-01	COVER SPARK PLUG	4104.144	102762-03 (M 51359-02)	MOTOR - INACTIVE	4105.229
099652-02	ZIE HA 2205	4103.647	102801-01	POWER LINE RFI FILT.	4105.287
099673-01 =4105.004	TRANSFORMER	4105.003	102861-01	LOCKNUT NYLON CEH	4100.656
099674-01	MOTOR B350	4101.127	103154-03	BRACK. PH.CELL 35/70	4100.657
099679-02	ZIE 4150.175	4105.175	103154-05	BRCKT PHOTOCELL B150	4100.659
099743-01	see 107961-01 - 4100.630	4100.644	103229-01	CAPACITOR	4101.937
099895-01	THERMOSTAT	4102.307	103259-01	RFI FILTER B350CEA	4105.288

## DESA International Master Number Reference Index

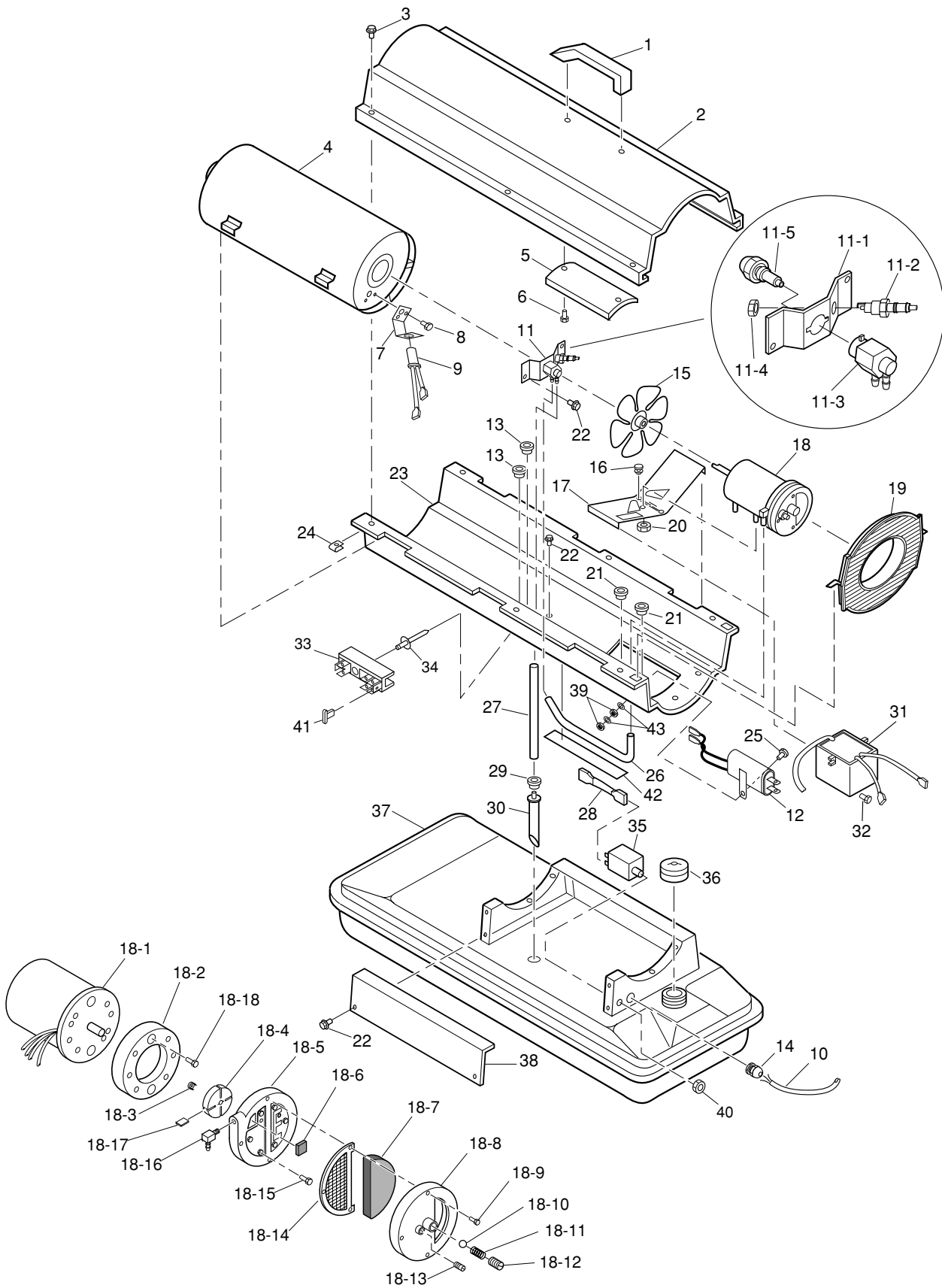
Master NR	Description	Art. Code	Master NR	Description	Art. Code
103347-01	WASHER BELLEV. CEH	4100.660	HA 3019	PHOTOCELL	4103.552
103409-01	WAVE SPRING WASHER	4100.526	HA 3020	PUMP ADJ KT	4103.568
103676-01	ELBOW 90DGR NYLON	4100.661	M 10659-1	WASHER	4100.525
103684-01	FAN	4100.662	M 10809-1	SPRING NZL SEAL	4100.533
103971-01	BRCKT PHOTOCELL B100	4100.658	M 10816-20	ELECTRODE	4102.166
104007-01	CAPACITOR B70 CEB	4101.851	M 10908-1	SCREW	4103.511
104054-01	ADAPTER NOZZLE	4100.663	M 10908-2	SCREW	4103.529
104056-01	ADAPTER NOZZLE	4100.664	M 10908-75	SCRW #6-32x7/8" CEH	4100.669
104068-04	REV K PC-BOARD HSI	4100.676	M 10990-3	BUSHING	4100.541
104183-01	(M 29835) SPARK PLUG	4109.526	M 10993-1	SPRING	4102.141
104184-01	(M10962-2)SPARK PLUG	4101.846	M 11054-1	NOZZLE SIPHON	4101.184
105780-01	CAP PLASTIC B35/70	4100.666	M 11084 2	SCREW REPLACE 4110.192	4110.028
105793-01	ON/OFF SWITCH CEH	4100.667	M 11084-26	SCREW	4101.133
107426 01	KIT WHEEL	4103.289	M 11084-27	SCREW	4101.132
107645 01	DECAL IGNITOR WARNING	4110.054	M 11084-29	SCREW	4108.510
107961-01	FUEL FILTER	4100.630	M 11084-37	SCREW	4101.136
108088-04	FUEL TANK 098513-91	4105.298	M 11143-1	STR REL BUSHING	4101.254
108088-05	FUEL TANK B150CEB/H	4105.299	M 11271-8	CLIP NUT	4104.170
108436-02	(M50060-02AB)SHELL B350 UPPER	4110.089	M 11637	FILTER LINT	4101.333
57413	ELBOW STREET B350	4106.335	M 11952	BRACKET RELAY OLD	4108.361
69246	NIPPLE B350EAI	4106.334	M 12179	FILTER INTAKE	4101.358
FHPF3 2C	SCREW	4101.131	M 12244-1	FILTER OUTPUT	4101.341
FHPF3 4C	SCREW	4105.235	M 12303	THERMAL LIM	4102.455
FHPF3 5C	SCREW	4108.588	M 12342-3	WHEEL SUPPORT FRAME	4109.906
FHPF3 6C	SCREW	4108.590	M 12345-33	SCREW	4108.619
FHPF3 7C	SCREW	4108.577	M 12345-34	SCREW ZIE 4108.619	4108.544
HA 1170	TESTER SAFETY CONTROL	4106.058	M 12461 51	SCREW HX SLT WSR 10-24X1/2	4110.029
HA 1180	PRESSURE GAGE LD	4109.427	M 12461-13	SCREW	4108.530
HA 1202	WHEEL KIT HD B35/70CEB	4103.925	M 12461-14	SCREW	4108.540
HA 1206	WHEEL KIT LD B35/70CEB	4103.930	M 12461-25	SCREW	4108.783
HA 2203	HANDLE B100	4109.864	M 12461-31	SCREW	4108.528
HA 2204	HANDLE STRAIGHT SH.	4109.872	M 12461-32	SCREW	4108.536
HA 2205	HANDLE ROUND SH.-INACTIVE-	4109.875	M 12461-34	SCREW	4105.300
HA 2210 = M 18053	(4105.292)	4105.291	M 12462-11	RELAY	4101.499
HA 3004	ROTOR KIT	4103.554	M 12462-13	RELAY	4103.839
HA 3005	ROTOR KIT	4103.553	M 12462-17	RELAY	4101.238
HA 3006	NOZZLE B35 CEA	4101.854	M 12462-3	RELAY	4101.515
HA 3007	(M50597) NOZZLE	4103.584	M 12462-5	RELAY	4101.507
HA 3008 = 4103.834	NOZZLE KIT	4103.600	M 12576	BODY VALVE	4102.703
HA 3008 = M 50880-01	NOZZLE	4103.834	M 12577	GASKET	4109.855
HA 3009	NOZZLE KIT	4103.558	M 12650-1	CAPACITOR	4101.218
HA 3011 = M 18022	NOZZLE	4105.169	M 12650-12	CAPACITOR	4101.242
HA 3011	NOZZLE = 4105.169	4103.560	M 12650-13	CAPACITOR	4101.140
HA 3012 = 4101.846		4103.555	M 12650-3	CAPACITOR START	4101.929
HA 3013	ZIE 4109.526	4101.226	M 12749-2	SCREW	4101.134
HA 3014	FILTER KIT	4103.561	M 12831-3	WHEEL SUPPORT FRAME	4109.914
HA 3017	FILTER KIT	4103.556	M 12951	ELECTRODE LH	4101.978
HA 3018	FILTER KIT	4103.557			

## DESA International Master Number Reference Index

Master NR	Description	Art. Code	Master NR	Description	Art. Code
M 12952	ELECTRODE RH	4101.986	M 25291	WHEEL B 66	4109.278
M 13942-5	WIRE CONNE	4101.234	M 25296-1	BRACKET RELAY NEW	4103.578
M 14293	NOZZLE	4101.879	M 26203-3	HANDLE FR.	4109.898
M 15770-3	COMB. CHAM	4103.404	M 26204-3	HANDLE RR	4109.880
M 15823-26	SCREW ZIE 4108.502	4108.551	M 26207A	SHELL UPPER	4100.624
M 15823-27	SCREW ZIE 4108.502	4104.014	M 26287-3	HANDLE F&R	4109.856
M 15823-39	SCREW	4101.135	M 26316	NOZZLE B66	4109.344
M 15823-39	SCREW ZIE 4101.135	4104.019	M 26317	FAN	4109.161
M 16535	ADAPTER NOZZLE	4105.193	M 26589	A SHELL UPP.	4109.146
M 16545	END COVER	4108.643	M 27299	BAG POLYETHYLENE	4110.030
M 16656-18	PHOTOCELL B350	4103.448	M 27324-3AA	BOX M. B 150 EGC	4101.160
M 16656-24(23)	PHOTOCELL CEH	4103.590	M 27417	PLUG DRAIN	4100.632
M 16660	BRACKET PHOTO CELL	4103.537	M 27585-1	INTERRUPTER BV 60	4109.294
M 16661-1	CLAMP MOTOR	4102.737	M 27669-01	FUEL FILTER	4106.080
M 16741-18	RING RETAINING	4105.177	M 27694	SCREW PRESSURE	4102.133
M 16790-12	FUEL LINE TUBE	4104.099	M 27828	NOZZLE	4108.874
M 16790-18	FUEL TUBE	4109.570	M 28526	NUT CAP	4108.429
M 16790-8	FUEL LINE TUBE	4101.158	M 29608	END PUMP COVER	4109.724
M 16801-2	AXLE B 150	4105.284	M 29609	END COVER	4109.674
M 16803-5	BURNER HD	4105.029	M 29612-01	FILTER OUTPUT	4109.708
M 16841-57	WIRE ASSEMBLY	4109.122	M 29616	BRACKET MOTOR	4100.608
M 16841-58	WIRE ASSY	4101.120	M 29632	FILTER LINT	4109.716
M 16886-1	PUMP KIT+	4105.031	M 29633	FILTER INTAKE	4109.690
M 17016-1S	FUEL TANK N/A	4102.646	M 29652-01	ZIE 4109.633	4102.752
M 17058	FAN	4102.648	M 29652-04	AIRLINE TUBE	4109.633
M 17316	END PLATE	4102.828	M 29652-05	FUEL LINE TUBE	4109.567
M 17499-2	PIPE NIPPLE	4105.840	M 29681	NOZZLE SIPHON B30	4101.192
M 17920	FAN	4105.052	M 29824	NUT SPECIAL	4109.518
M 18048	NOZZLE	4105.151	M 30724	S SHELL UPP.	4109.492
M 18053 =	HA2210 SCREEN	4105.292	M 30726AA	BRCK ENDC	4102.729
M 18303	NOZZLE	4109.062	M 30865-02	BUSHING OPEN	4101.151
M 18436	SPRING	4100.806	M 30884	FAN B30/70 EDI-EGC-CEB	4103.651
M 18774	AXLE	4108.759	M 30900-01	MOTOR B 30 ES	4109.799
M 18775	BRACKET NOZZLE	4106.035	M 3107	NOZZLE	4105.172
M 18971	PUMP KIT	4102.687	M 31301	FAN SWITCH KIT	4102.683
M 19630	FUEL FILTER	4103.878	M 31316	MOTOR	4103.900
M 20137	PIPE BUSHING	4105.180	M 3301-1	ZIE M 51102-01	4102.143
M 22009	INSERT	4108.635	M 3334-12	FUEL LINE	4106.153
M 22456-1	ROTOR	4108.627	M 3981	ELECTRODE L=R	4101.101
M 22456-2	ROTOR	4103.441	M 4574	Alt PRESSURE GAGE HD	4109.435
M 22456-3	ROTOR	4101.911	M 50016	ELBOW 90 GR	4101.156
M 22626	NOZZLE	4108.668	M 50050	IGNITION BOOT	4108.574
M 22873	COUPLING	4108.718	M 50062	HANDLE REAR B350	4109.885
M 22997	PLUG	4102.125	M 50062-03	HANDLE FRONT B350	4108.956
M 23090	BODY BURNER HEAD	4109.377	M 50064-07	MOTOR B 350	4104.678
M 23148	FAN B 100 E	4108.585	M 50065-02	PUMP B350	4103.610
M 23753	AIRLINE	4108.957	M 50077-02	VALVE SOLENOID	4102.535
M 24717	CLAMP TUBE	4105.198	M 50104-01	BUSHING SHORT	4101.232
M 25061-2	RELAY	4100.574	M 50104-02	BUSHING SHORT	4101.152
M 25061-5	RELAY	4101.256	M 50104-03	BUSHING SHORT	4101.112

## DESA International Master Number Reference Index

Master NR	Description	Art. Code	Master NR	Description	Art. Code
M 50113-02	STRAIGHT FITTING	4105.842	M 51104-01	HANDLE B30-70	4103.784
M 50114-02	MALE ELBOW	4105.239	M 51105-01	FAN GUARD	4103.685
M 50115-01	FUEL LINE B 350	4106.181	M 51107-01	FAN	4100.631
M 50121-02	FAN	4103.462	M 51108-01	HEAT SHIELD B35/70	4100.671
M 50140	FAN GUARD B 150	4103.611	M 51114-01	FAN GUARD	4103.695
M 50295	FUEL LINE	4105.238	M 51151-01	FUEL LINE	4104.121
M 50296	WHEEL SPACER	4105.240	M 51151-02	FUELLINE TUBE	4101.262
M 50297	ELBOW B 350	4106.333	M 51159-05	MOTOR B 150 ES	4105.227
M 50298	NUT B 155	4108.488	M 51160-01	SWITCH COVER	4101.246
M 50299	SLEEVE B155	4101.623	M 51170-01	PLUG BODYBURN. B350	4102.398
M 50314-01	INTERRUPTER BV125	4108.973	M 51226-01	CAPACITOR CAP	4101.243
M 50387-01	AIRLINE B 100 ES	4105.136	M 51336-02	FAN SWITCH	4100.582
M 50387-02	AIRLINE B 150 ES	4105.144	M 51345 04	TUBING RUBBER	4110.032
M 50387-04	AIRLINE B 66 N.A.	4109.179	M 51345-01	FUEL LINE TUBE	4104.097
M 50389	WHEEL B 300	4103.271	M 51345-06	FUEL LINE B100/150	4100.672
M 50420-06	RELAY	4106.161	M 51357-02	CAPACITOR RUN	4103.896
M 50429	GASKET SPARKPLUG	4105.841	M 51369-01	POWER CORD	4101.113
M 50542-01	COMBUSTION CHAMBER	4104.040	M 5788	SLEEVE	4103.370
M 50545	END PUMP COVER	4101.325	M 5976	CONNECTOR MALE	4101.747
M 50657 01	TAG TESTED	4110.031	M 6777	TIE PLASTIC	4110.033
M 50660-05	NUT FLARED	4104.197	M 8434-3	TRANSFORMER B 300	4101.119
M 50814-03	AIRLINE TUBE	4104.156	M 8643	BLADE	4101.200
M 50814-06	AIRLINE TUBE	4104.147	M 8643-2	BLADE	4101.666
M 50814-07	TUBING RUBBER.	4101.215	M 8643-3	BLADE	4101.887
M 50820-01	FITTING BARB	4106.071	M 8882	SLEEVE	4101.622
M 50820-02	FITTING BARB	4104.118	M 8940	BALL 1/4" CHROME STEEL AISI52100	4108.379
M 50876-01	FILTER BUSHING	4103.894	M 8941	SPRING	4108.350
M 50876-04	FUEL FILTER B 30	4109.575	M 8989	ELECTRODE LH	4101.085
M 50876-05	FUEL FILTER	4103.875	M 8990	ELECTRODE RH	4101.077
M 50899-03AA	SIDE COVER BLACK	4101.252	M 9900-192	WIRE ASSY	4109.121
M 50899-03AB	SIDE COVER	4101.248	M51077-09AA	COVER SIDE 100/150	4100.670
M 50924-01	BODY BURNER HEAD	4105.185	NPF-3B	NUT #10-32 CEH REPLACE 4110.188	4100.673
M 50924-02	BODY BURNER HD B350	4109.350	NTC 3C	NUT REPLACE 4110.189	4108.494
M 50924-03	BODY BURNER	4109.352	NTC 4C	NUT	4108.486
M 50924-08	BODY BURNER	4105.187	RF3 4B	SCREW 10-32 REPLACE 4110.188	4110.034
M 50924-09	BURNER HD	4109.353	RF3 6B	ROUND HD SCREW	4109.580
M 51015-01	AXLE B 100	4103.222	RF3-5B	SCRW #10-32x5/8" CEH	4100.674
M 51015-04	AXLE PLATED	4101.116	RPC4-18C	SCREW	4102.745
M 51027-01	CAP B30 E	4109.658	ST2 2AC	SCREW	4109.591
M 51027-06	CAP BLACK B30-70EA	4103.743	WLE 3	LOCKWASHER CEH	4100.527
M 51028-03	THERMAL SWITCH	4106.197			
M 51028-04	SWITCH TH. LIMIT	4102.802			
M 51043-01	SCREW	4108.569			
M 51049-03	WIRE HARNESS+CELL	4101.129			
M 51070-02	NOZZLE B 350	4104.162			
M 51077-01AA	COVER SIDE	4104.183			
M 51090	FUEL TANK	4109.666			
M 51098-01	BODY BURNER HEAD	4108.924			
M 51098-02	BODY BURNER HEAD	4109.351			
M 51102-01	FILTER ELEMENT	4103.586			



Motor and Pump Assembly

**Spareparts MASTER HEATERS**

**MODEL 35 CEA** 35,000 Btu/Hr Model

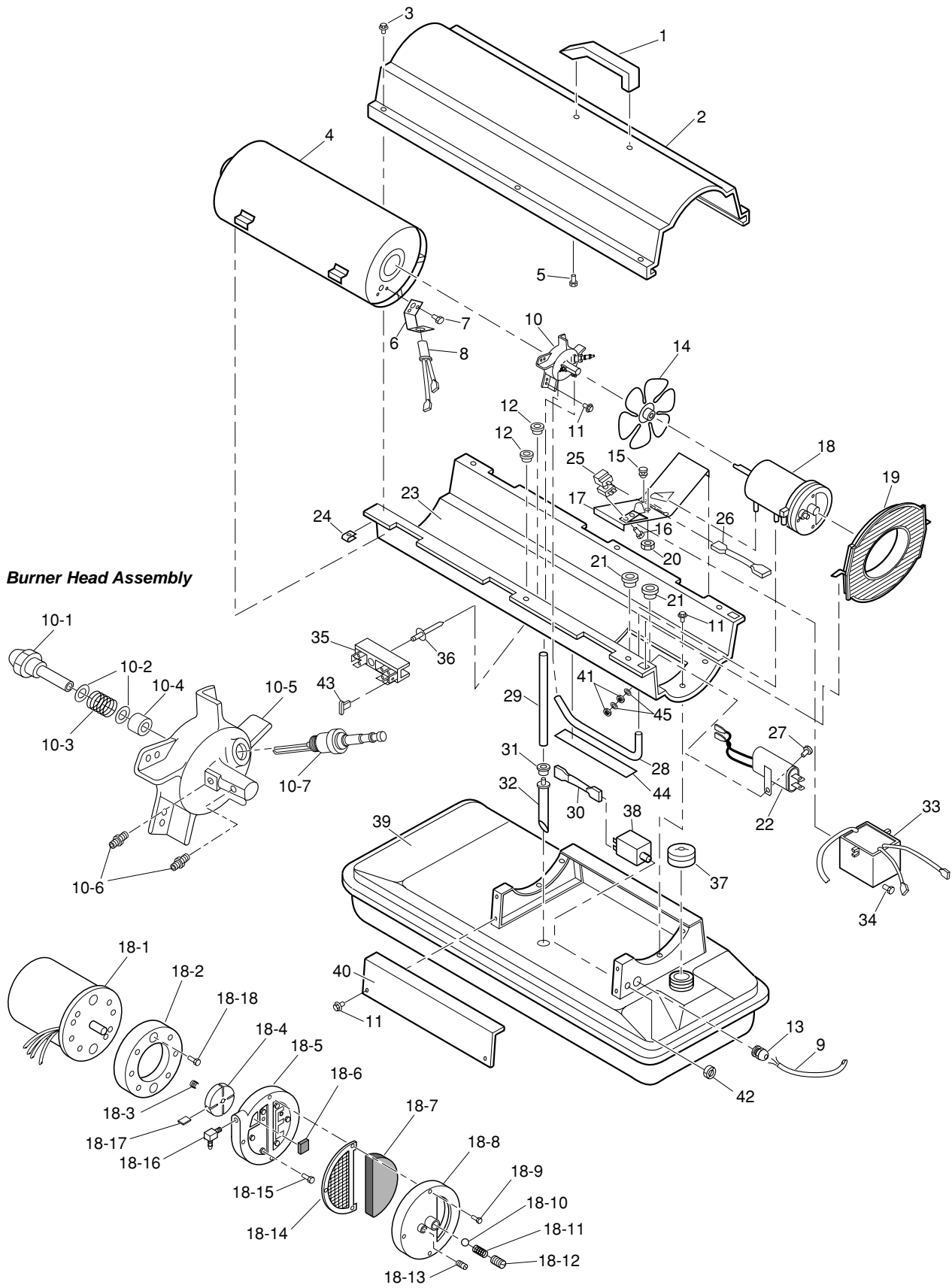
**PARTS LIST**

<i>Key No.</i>	<i>Part Number</i>	<i>Description</i>	<i>Qty.</i>	<i>Key No.</i>	<i>Part Number</i>	<i>Description</i>	<i>Qty.</i>
1	4103.784	Handle	1	18-17	4101.666	Blade	4
2	4103.842	Upper Shell	1	18-18	4108.590	Screw, #10-32 x 3/4"	2
3	4109.590	Screw/Lockwasher, 1/2"	6	19	4103.685	Fan Guard	1
4	4104.060	Combustion Chamber	1	20	4108.486	Hex locknut	2
5	4100.671	Heat Shield	1	21	4101.152	Bushing (wires)	2
6	4108.510	Screw, #10-16 x 3/4"	2	22	4110.124	Screw/Lockwasher, 1/2"	11
7	4103.537	Photocell Bracket	1	23	4105.195	Lower Shell	1
8	4103.529	Screw, #6-32 x 3/8"	2	24	4104.170	Clip Nut	6
9	4103.552	Photocell Assembly	1	25	4109.580	Screw, #10-32 x 3/4"	1
10	S/R	Power Cord	1	26	4109.633	Rubber Airline	1
11	**	Burner Strap Assembly	1	27	4109.567	Fuel Line	1
11-1	4103.648	Bracket	1	28	S/R	Wire Assembly (red)	1
11-2	4109.526	Spark Plug	1	29	4100.541	Rubber Bushing	1
11-3	4109.542	Nozzle Adapter	1	30	4109.575	Fuel Filter Assembly	1
11-4	4109.518	Nut, 14mm	1	31	4106.095	Electronic Ignitor	1
11-5	4101.854	Nozzle	1	32	4108.510	Screw, #10-16 x 3/4"	2
12	4105.287	Power Line RFI Filter	1	33	4103.884	Terminal Board	1
13	4101.151	Bushing	1	34	N/A	Rivet	1
14	4150.528	Strain Relief Bushing	1	35	4104.196	Flame-Out Control	1
15	4103.651	Fan	1	36	4103.891	Fuel Tank Cap	1
16	4150.553	Rubber Bumper	2	37	4105.294	Fuel Tank	1
17	4109.560	Motor Bracket	1	38	4104.175	Side Cover	1
18	**	Motor and Pump Assembly	1	39	4100.673	Nut, #10-32	3
18-1	4106.098	Motor (230V/50Hz)	1	40	4109.592	Hex Nut	1
18-2	4101.532	Pump Body	1	41	N/A	Terminal Board Tab Cap	2
18-3	4108.635	Insert	1	42	S/R	Vinyl Foam Gasket	1
18-4	4103.441	Rotor	1	43	4100.527	Lock Washer, #10	2
18-5	4109.724	End Pump Cover	1	<b>PARTS AVAILABLE - NOT SHOWN</b>			
18-6	4109.716	Lint Filter	1				
18-7	4109.690	Intake Filter	1				
18-8	4109.674	End Filter Cover	1				
18-9	4108.528	Screw, #10-32 x 1"	3				
18-10	4108.379	Steel Ball (1/4" Dia.)	1				
18-11	4102.141	Pressure Relief Spring	1				
18-12	4102.133	Adjusting Screw	1		4105.292	Filler Neck Screen	1
18-13	4102.125	Plug	1		4110.138	Tradename Decal	2
18-14	4109.708	Output Filter	1		S/R	Combustion Chamber	
18-15	4108.536	Screw, #10-32 x 1 1/8"	6			Ground Wire	1
18-16	4101.156	Elbow, 90° (Barb Fitting)	1		4110.150	Decal Package	1

S/R = Parts Available by Special Request Only

N/A = Parts Not Available

*This list contains replaceable parts used in your heater. When ordering parts, be sure to provide the correct model and serial numbers (from the model plate), then the part number and description of the desired part.*



Motor and Pump Assembly

**Spareparts MASTER HEATERS**

**MODEL 70 CEA 70,000 Btu/Hr Model**

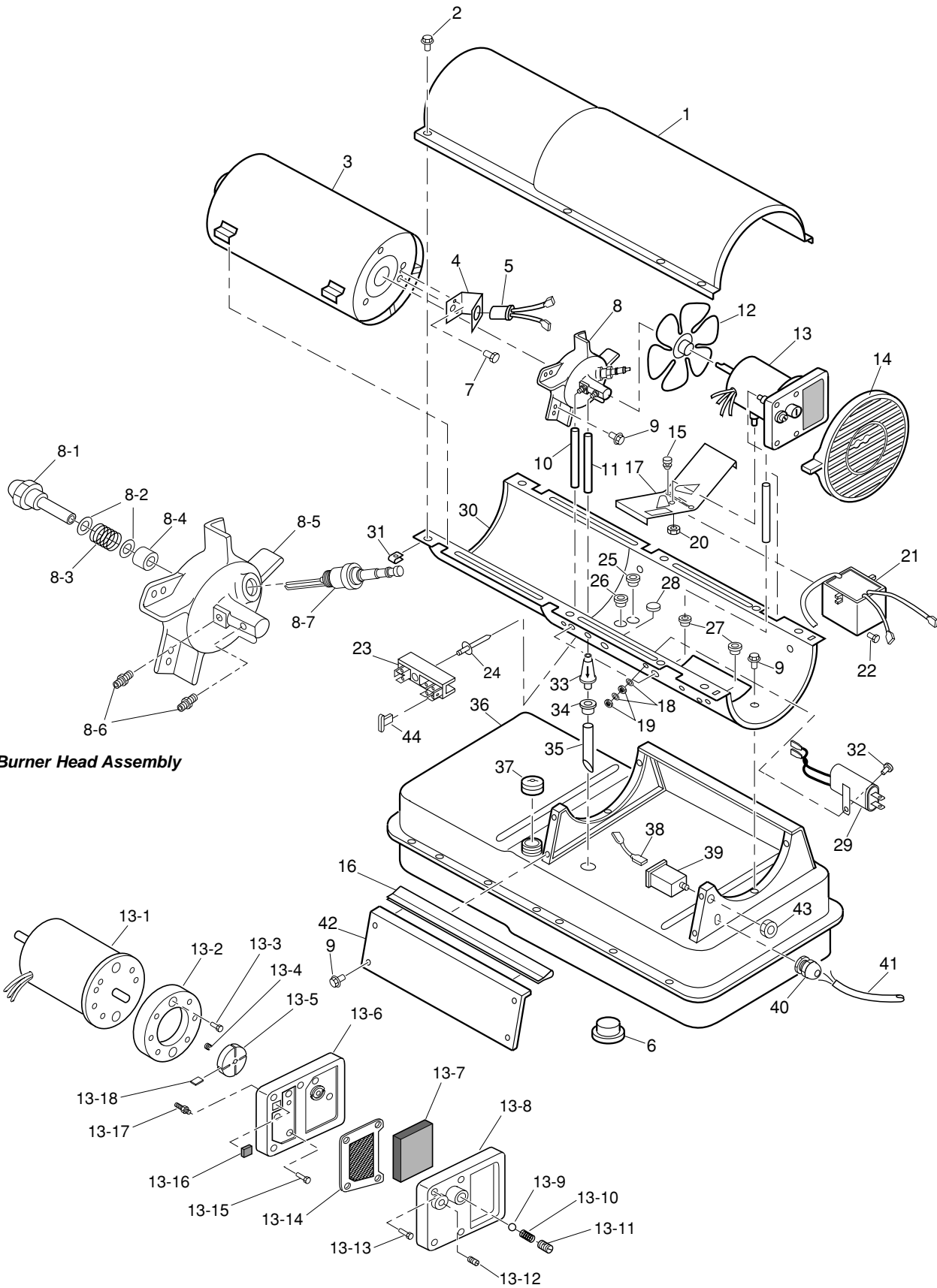
**PARTS LIST**

<i>Key No.</i>	<i>Part Number</i>	<i>Description</i>	<i>Qty.</i>	<i>Key No.</i>	<i>Part Number</i>	<i>Description</i>	<i>Qty.</i>
1	4103.784	Handle	1	18-16	4101.156	Elbow, 90° (Barb Fitting)	1
2	4103.842	Upper Shell	1	18-17	4101.200	Blade	4
3	4109.590	Screw/Lockwasher, 1/2"	6	18-18	4108.588	Screw, #10-32 x 5/8"	2
4	4104.090	Combustion Chamber	1	18-19	4101.851	Capacitor	1
5	4108.510	Screw, #10-16 x 3/4"	2	19	4103.685	Fan Guard	1
6	4103.537	Photocell Bracket	1	20	4108.486	Hex locknut	2
7	4103.529	Screw, #6-32 x 3/8"	2	21	4101.152	Bushing (wires)	2
8	4103.552	Photocell Assembly	1	22	4105.287	Power Line RFI Filter	1
9	S/R	Power Cord	1	23	4105.195	Lower Shell	1
10	**	Burner Head Assembly	1	24	4104.170	Clip Nut	6
10-1	4103.486	Nozzle	1	25	4106.179	Relay, (motor start)	1
10-2	4100.525	Nozzle Seal Washer	2	26	S/R	Wire Assembly (red)	1
10-3	4100.533	Nozzle Seal Spring	1	27	4109.580	Screw, #10-32 x 3/4"	1
10-4	4101.622	Nozzle Seal Sleeve	1	28	4109.633	Rubber Airline	1
10-5	4109.351	Burner Head Body	1	29	4105.508	Fuel Line	1
10-6	4106.071	Barb Fitting	2	30	N/A	Wire Assembly (red)	1
10-7	4101.846	Spark Plug	1	31	4100.541	Rubber Bushing	1
11	4110.124	Screw/Lockwasher, 1/2"	12	32	4103.875	Fuel Filter Assembly	1
12	4101.151	Bushing	1	33	4106.095	Electronic Ignitor	1
13	4150.528	Strain Relief Bushing	1	34	4108.510	Screw, #10-16 x 3/4"	2
14	4103.651	Fan	1	35	4106.110	Terminal Board	1
15	4150.553	Rubber Bumper	2	36	N/A	Rivet	1
16	4108.530	Screw, #8-32 x 1/4"	2	37	4103.891	Fuel Tank Cap	1
17	4109.560	Motor Bracket	1	38	4104.196	Flame-Out Control	1
18	**	Motor and Pump Assembly	1	39	4100.643	Fuel Tank	1
18-1	4109.780	Motor with capacitor	1	40	4104.183	Side Cover	1
18-2	4101.317	Pump Body	1	41	4100.673	Nut, #10-32	3
18-3	4108.635	Insert	1	42	4109.592	Hex Nut	1
18-4	4108.627	Rotor	1	43	N/A	Terminal Board Tab Cap	2
18-5	4109.724	End Pump Cover	1	44	S/R	Vinyl Foam Gasket	1
18-6	4109.736	Lint Filter	1	45	4100.527	Lock Washer, #10	2
18-7	4109.690	Intake Filter	1	46	S/R	Bushing	1
18-8	4109.674	End Filter Cover	1	<b>PARTS AVAILABLE - NOT SHOWN</b>			
18-9	4108.528	Screw, #10-32 x 1"	3		4105.292	Filler Neck Screen	1
18-10	4108.379	Steel Ball (1/4" Dia.)	1		4110.138	Tradename Decal	2
18-11	4102.141	Pressure Relief Spring	1		S/R	Combustion Chamber	
18-12	4102.133	Adjusting Screw	1			Ground Wire	1
18-13	4102.125	Plug	1			Decal Package	1
18-14	4109.708	Output Filter	1				
18-15	4108.528	Screw, #10-32 x 1"	6				

S/R = Parts Available by Special Request Only

N/A = Parts Not Available

*This list contains replaceable parts used in your heater. When ordering parts, be sure to provide the correct model and serial numbers (from the model plate), then the part number and description of the desired part.*



**Burner Head Assembly**

**Motor and Pump Assembly**

**Spareparts MASTER HEATERS**

**MODEL 100 CEA 100,000 Btu/Hr Model**

**PARTS LIST**

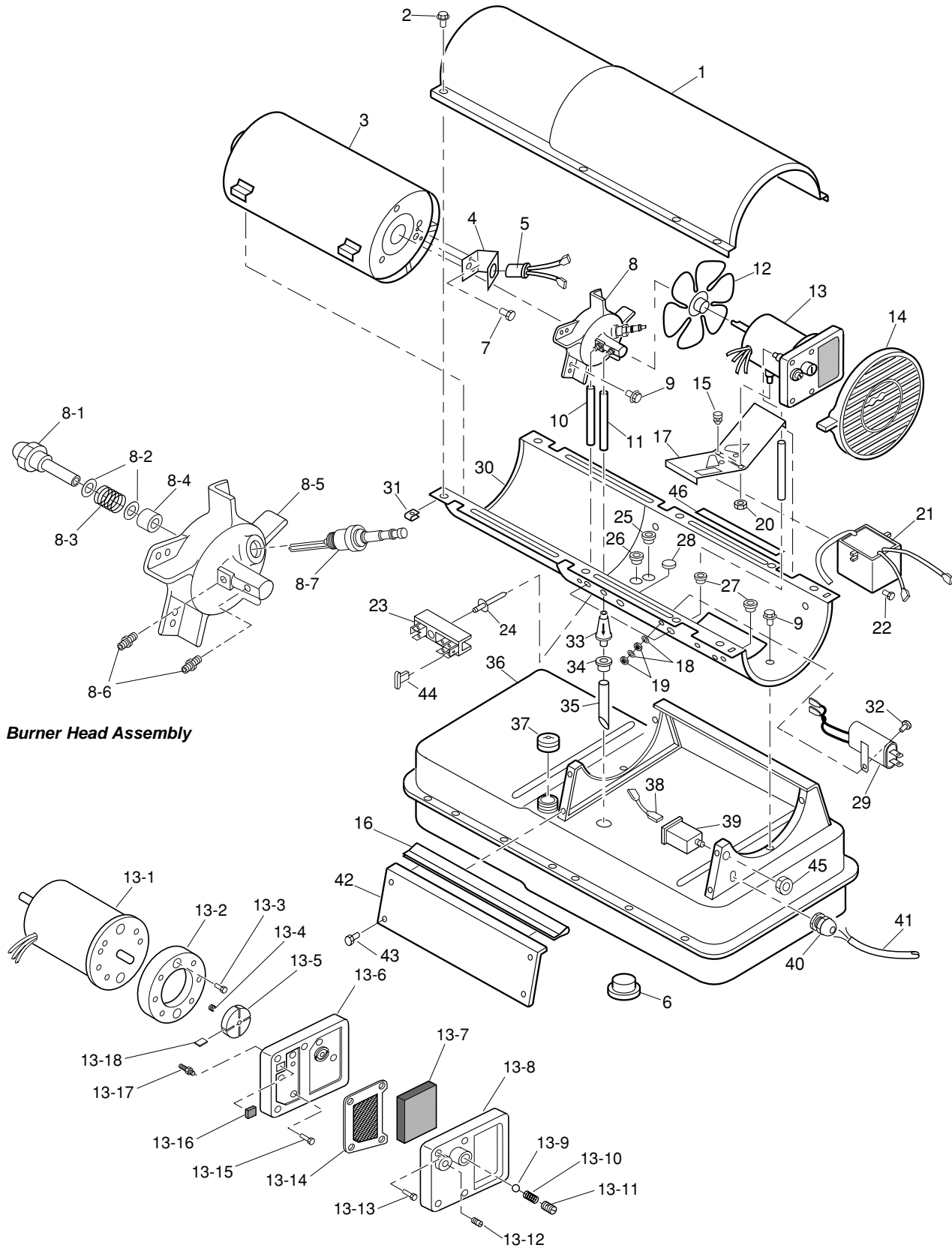
<i>Key No.</i>	<i>Part Number</i>	<i>Description</i>	<i>Qty.</i>	<i>Key No.</i>	<i>Part Number</i>	<i>Description</i>	<i>Qty.</i>
1	4104.006	Upper Shell	1	16	4103.850	Edge Liner	1
2	4109.590	Screw/Lockwasher, 1/2"	8	17	4101.240	Motor Bracket	1
3	4101.180	Combustion Chamber	1	18	4100.527	Lock Washer, #10	2
4	4103.537	Photocell Bracket	1	19	4100.673	Nut, #10-32	3
5	4103.552	Photocell Assembly	1	20	4108.486	Hex locknut	2
6	4100.632	Drain Plug	1	21	4106.095	Electronic Ignitor	1
7	4103.529	Screw, #6-32 x 3/8"	2	22	4108.510	Screw, #10-16 x 3/4"	2
8	**	Burner Head Assembly	1	23	4103.884	Terminal Board	1
8-1	4103.559	Nozzle	1	24	N/A	Rivet	1
8-2	4100.525	Nozzle Seal Washer	2	25	4101.112	Bushing	1
8-3	4100.533	Nozzle Seal Spring	1	26	4101.112	Bushing	1
8-4	4101.622	Nozzle Seal Sleeve	1	27	4101.232	Bushing	2
8-5	4109.352	Burner Head Body	1	28	4110.070	Button Plug	1
8-6	4104.118	Barb Fitting	2	29	4105.287	Power Line RFI Filter	1
8-7	4101.846	Spark Plug	1	30	4108.126	Lower Shell	1
9	4110.124	Screw/Lockwasher, 1/2"	13	31	4104.170	Clip Nut	8
10	4104.147	Air Line	1	32	4109.580	Screw, #10-32 x 3/4"	1
11	4104.097	Fuel Line	1	33	4100.630	Fuel filter	1
12	4105.062	Fan	1	34	4100.541	Rubber Bushing	1
13	**	Motor and Pump Assembly	1	35	4104.121	Fuel Line	1
13-1	4108.550	Motor with capacitor	1	36	4105.298	Fuel Tank	1
13-2	4101.317	Pump Body	1	37	4103.891	Fuel Tank Cap	1
13-3	4108.588	Screw, #10-32 x 5/8"	2	38	N/A	Wire Assembly (red)	1
13-4	4108.635	Insert	1	39	4104.196	Flame-Out Control	1
13-5	4108.627	Rotor	1	40	4150.528	Strain Relief Bushing	1
13-6	4101.325	End Pump Cover	1	41	S/R	Power Cord	1
13-7	4101.358	Intake Filter	1	42	4104.183	Side Cover	1
13-8	4108.643	End Filter Cover	1	43	4109.592	Hex Nut	1
13-9	4108.379	Steel Ball (1/4" Dia.)	1	44	N/A	Terminal Board Tab Cap	2
13-10	4102.141	Pressure Relief Spring	1				
13-11	4102.133	Adjusting Screw	1				
13-12	4102.125	Plug	1				
13-13	4108.528	Screw, #10-32 x 1"	4				
13-14	4101.341	Output Filter	1				
13-15	4108.528	Screw, #10-32 x 1"	6				
13-16	4101.333	Lint Filter	1				
13-17	4104.118	Barb Fitting	1		4105.292	Filler Neck Screen	1
13-18	4101.200	Blade	4		4110.138	Tradename Decal	2
14	4103.695	Fan Guard	1		S/R	Combustion Chamber	
15	4150.553	Rubber Bumper	2		S/R	Ground Wire	1
						Decal Package	1

**PARTS AVAILABLE - NOT SHOWN**

S/R = Parts Available by Special Request Only

N/A = Parts Not Available

*This list contains replaceable parts used in your heater. When ordering parts, be sure to provide the correct model and serial numbers (from the model plate), then the part number and description of the desired part.*



**Burner Head Assembly**

**Motor and Pump Assembly**

## Spareparts MASTER HEATERS

MODEL 150 CEA 150,000 Btu/Hr Model

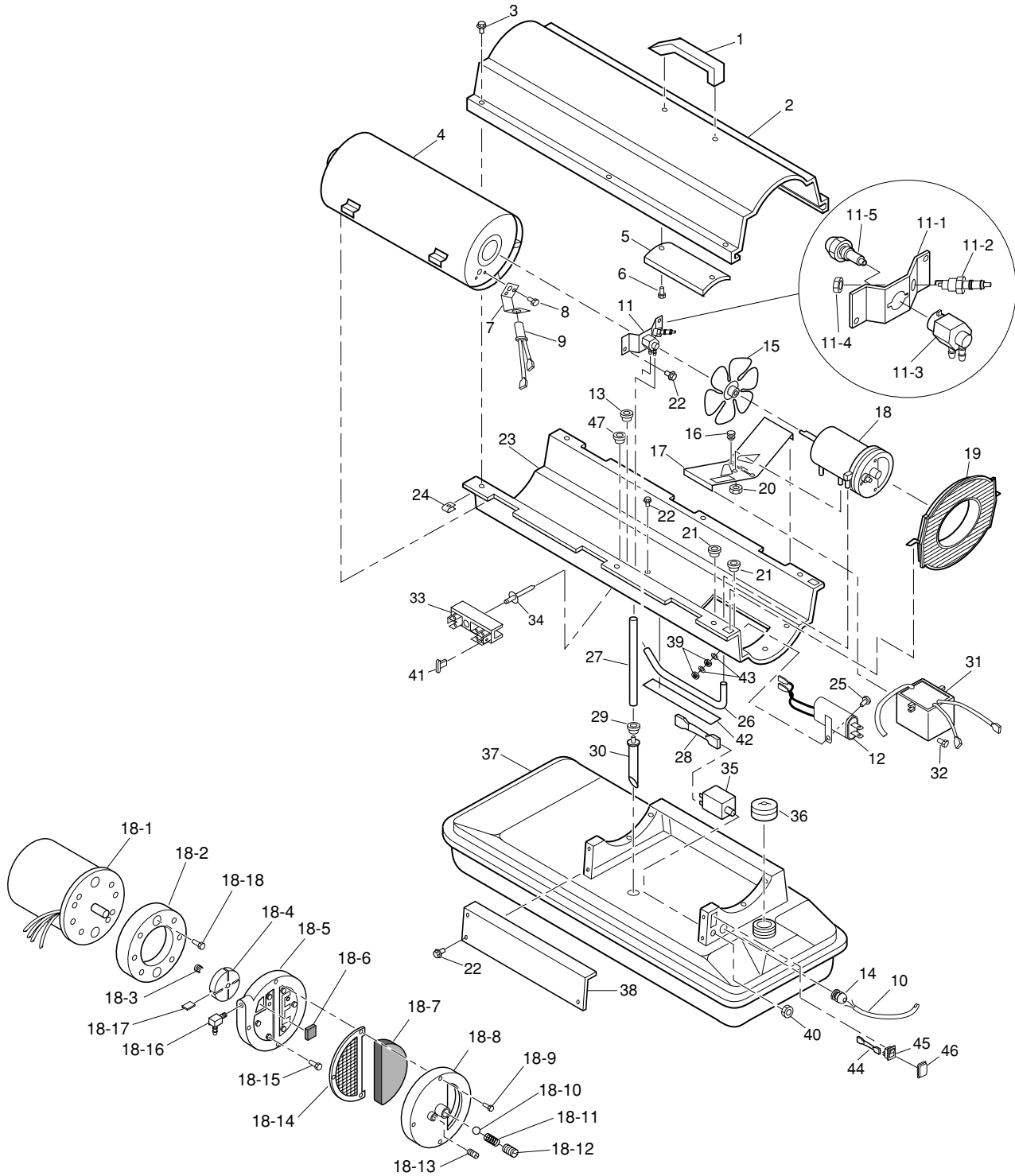
## PARTS LIST

Key No.	Part Number	Description	Qty.	Key No.	Part Number	Description	Qty.
1	4104.006	Upper Shell	1	15	4150.553	Rubber Bumper	2
2	4109.590	Screw/Lockwasher, 1/2"	8	16	4103.850	Edge Liner	1
3	4104.088	Combustion Chamber	1	17	4101.240	Motor Bracket	1
4	4103.537	Photocell Bracket	1	18	4100.527	Lock Washer, #10	2
5	4103.552	Photocell Assembly	1	19	4100.673	Nut, #10-32	3
6	4100.632	Drain Plug	1	20	4108.486	Hex locknut	2
7	4103.529	Screw, #6-32 x 3/8"	2	21	4106.095	Electronic Ignitor	1
8	**	Burner Head Assembly	1	22	4108.510	Screw, #10-16 x 3/4"	2
8-1	4103.898	Nozzle	1	23	4103.884	Terminal Board	1
8-2	4100.525	Nozzle Seal Washer	2	24	N/A	Rivet	1
8-3	4100.533	Nozzle Seal Spring	1	25	4101.112	Bushing	1
8-4	4101.622	Nozzle Seal Sleeve	1	26	4101.112	Bushing	1
8-5	4105.187	Burner Head Body	1	27	4101.232	Bushing	2
8-6	4104.118	Barb Fitting	2	28	4110.070	Button Plug	1
8-7	4101.846	Spark Plug	1	29	4105.287	Power Line RFI Filter	1
9	4110.124	Screw/Lockwasher, 1/2"	13	30	4108.126	Lower Shell	1
10	4104.156	Air Line	1	31	4104.170	Clip Nut	8
11	4104.097	Fuel Line	1	32	4109.580	Screw, #10-32 x 3/4"	1
12	4105.062	Fan	1	33	4100.630	Fuel filter	1
13	**	Motor and Pump Assembly	1	34	4100.541	Rubber Bushing	1
13-1	4108.550	Motor with capacitor	1	35	4101.262	Fuel Line	1
13-2	4101.532	Pump Body	1	36	4105.299	Fuel Tank	1
13-3	4108.588	Screw, #10-32 x 5/8"	2	37	4103.891	Fuel Tank Cap	1
13-4	4108.635	Insert	1	38	N/A	Wire Assembly (red)	1
13-5	4103.441	Rotor	1	39	4104.196	Flame-Out Control	1
13-6	4101.325	End Pump Cover	1	40	4150.528	Strain Relief Bushing	1
13-7	4101.358	Intake Filter	1	41	S/R	Power Cord	1
13-8	4108.643	End Filter Cover	1	42	4104.183	Side Cover	1
13-9	4108.379	Steel Ball (1/4" Dia.)	1	43	4110.124	Screw Hex Head	4
13-10	4102.141	Pressure Relief Spring	1	44	N/A	Terminal Board Tab Cap	2
13-11	4102.133	Adjusting Screw	1	45	4109.592	Hex Nut	1
13-12	4102.125	Plug	1	<b>PARTS AVAILABLE - NOT SHOWN</b>			
13-13	4108.528	Screw, #10-32 x 1"	4				
13-14	4101.341	Output Filter	1				
13-15	4108.536	Screw, #10-32 x 1 1/8"	6		4105.292	Filler Neck Screen	1
13-16	4101.333	Lint Filter	1		4110.138	Tradenname Decal	2
13-17	4104.118	Barb Fitting	1		S/R	Combustion Chamber	
13-18	4101.200	Blade	4			Ground Wire	1
14	4103.695	Fan Guard	1		S/R	Decal Package	1

S/R = Parts Available by Special Request Only

N/A = Parts Not Available

*This list contains replaceable parts used in your heater. When ordering parts, be sure to provide the correct model and serial numbers (from the model plate), then the part number and description of the desired part.*



Motor and Pump Assembly

## Spareparts MASTER HEATERS

MODEL 35 CEB 35,000 Btu/Hr Model

## PARTS LIST

Key No.	Part Number	Description	Qty.	Key No.	Part Number	Description	Qty.
1	4103.784	Handle	1	18-17	4101.666	Blade	4
2	4103.842	Upper Shell	1	18-18	4108.590	Screw, #10-32 x 3/4"	2
3	4109.590	Screw/Lockwasher, 1/2"	6	19	4103.685	Fan Guard	1
4	4104.060	Combustion Chamber	1	20	4108.486	Hex locknut	2
5	4100.671	Heat Shield	1	21	4101.152	Bushing (wires)	2
6	4108.510	Screw, #10-16 x 3/4"	2	22	4110.124	Screw/Lockwasher, 1/2"	11
7	4103.537	Photocell Bracket	1	23	4105.195	Lower Shell	1
8	4103.529	Screw, #6-32 x 3/8"	2	24	4104.170	Clip Nut	6
9	4103.552	Photocell Assembly	1	25	4109.580	Screw, #10-32 x 3/4"	1
10	S/R	Power Cord	1	26	4109.633	Rubber Airline	1
11	**	Burner Strap Assembly	1	27	4109.567	Fuel Line	1
11-1	4110.092	Bracket	1	28	S/R	Wire Assembly (red)	1
11-2	4109.526	Spark Plug	1	29	4100.541	Rubber Bushing	1
11-3	4109.542	Nozzle Adapter	1	30	4109.575	Fuel Filter Assembly	1
11-4	4109.518	Nut, 14mm	1	31	4106.095	Electronic Ignitor	1
11-5	4101.854	Nozzle	1	32	4108.510	Screw, #10-16 x 3/4"	2
12	4105.287	Power Line RFI Filter	1	33	4106.110	Terminal Board	1
13	4101.151	Bushing	1	34	N/A	Rivet	1
14	4150.528	Strain Relief Bushing	1	35	4104.196	Flame-Out Control	1
15	4103.651	Fan	1	36	4103.891	Fuel Tank Cap	1
16	4150.553	Rubber Bumper	2	37	4105.294	Fuel Tank	1
17	4109.560	Motor Bracket	1	38	4104.175	Side Cover	1
18	**	Motor and Pump Assembly	1	39	4100.673	Nut, #10-32	3
18-1	4106.098	Motor (230V/50Hz)	1	40	4109.592	Hex Nut	1
18-2	4101.532	Pump Body	1	41	N/A	Terminal Board Tab Cap	2
18-3	4108.635	Insert	1	42	S/R	Vinyl Foam Gasket	1
18-4	4103.441	Rotor	1	43	4100.527	Lock Washer, #10	2
18-5	4109.724	End Pump Cover	1	44	S/R	Wire Assembly (black)	2
18-6	4109.716	Lint Filter	1	45	4106.179	ON/OFF Switch	1
18-7	4109.690	Intake Filter	1	46	4104.336	Switch Cover	1
18-8	4109.674	End Filter Cover	1	47	N/A	Bushing	1
18-9	4108.528	Screw, #10-32 x 1"	3	<b>PARTS AVAILABLE - NOT SHOWN</b>			
18-10	4108.379	Steel Ball (1/4" Dia.)	1				
18-11	4102.141	Pressure Relief Spring	1		4105.292	Filler Neck Screen	1
18-12	4102.133	Adjusting Screw	1		4110.138	Tradename Decal	2
18-13	4102.125	Plug	1		S/R	Combustion Chamber	
18-14	4109.708	Output Filter	1			Ground Wire	1
18-15	4108.536	Screw, #10-32 x 1 1/8"	6		4110.150	Decal Package	1
18-16	4101.156	Elbow, 90° (Barb Fitting)	1				

S/R = Parts Available by Special Request Only

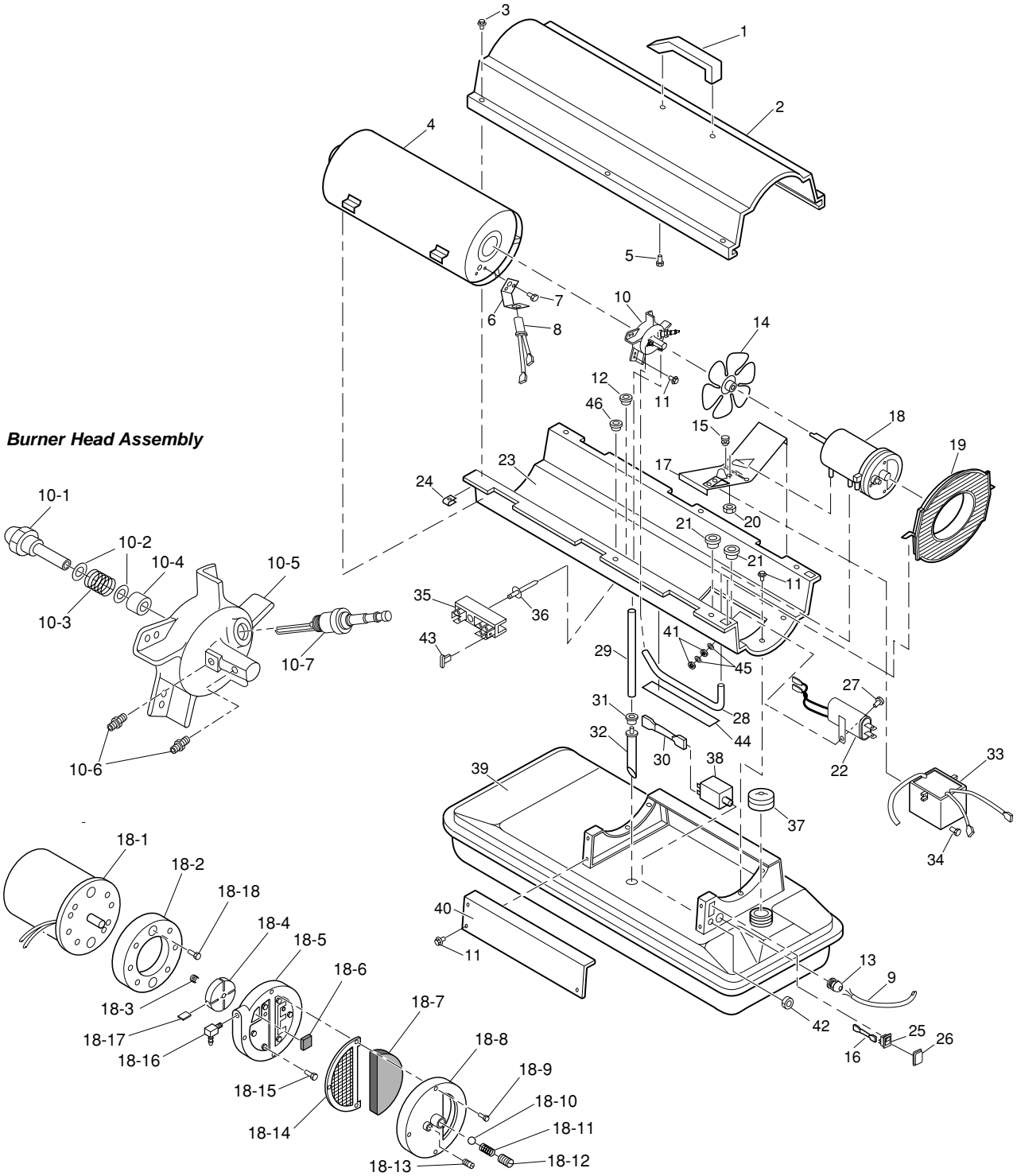
N/A = Parts Not Available

*This list contains replaceable parts used in your heater. When ordering parts, be sure to provide the correct model and serial numbers (from the model plate), then the part number and description of the desired part.*

# Spareparts MASTER HEATERS

MODEL 70 CEB 70,000 Btu/Hr Model

ILLUSTRATED PARTS BREAKDOWN



## Spareparts MASTER HEATERS

MODEL 70 CEB 70,000 Btu/Hr Model

PARTS LIST

Key No.	Part Number	Description	Qty.	Key No.	Part Number	Description	Qty.
1	4103.784	Handle	1	18-15	4108.528	Screw, #10-32 x 1"	6
2	4103.842	Upper Shell	1	18-16	4101.156	Elbow, 90° (Barb Fitting)	1
3	4109.590	Screw/Lockwasher, 1/2"	6	18-17	4101.200	Blade	4
4	4104.090	Combustion Chamber	1	18-18	4108.588	Screw, #10-32 x 5/8"	2
5	4108.510	Screw, #10-16 x 3/4"	2	18-19	4101.851	Capacitor	1
6	4103.537	Photocell Bracket	1	19	4103.685	Fan Guard	1
7	4103.529	Screw, #6-32 x 3/8"	2	20	4108.486	Hex locknut	2
8	4103.552	Photocell Assembly	1	21	4101.152	Bushing (wires)	2
9	S/R	Power Cord	1	22	4105.287	Power Line RFI Filter	1
10	**	Burner Head Assembly	1	23	4105.195	Lower Shell	1
10-1	4103.486	Nozzle	1	24	4104.170	Clip Nut	6
10-2	4100.525	Nozzle Seal Washer	2	25	4106.179	ON/OFF Switch	1
10-3	4100.533	Nozzle Seal Spring	1	26	4104.336	Switch Cover	1
10-4	4101.622	Nozzle Seal Sleeve	1	27	4109.580	Screw, #10-32 x 3/4"	1
10-5	4109.351	Burner Head Body	1	28	4109.633	Rubber Airline	1
10-6	4106.071	Barb Fitting	2	29	4105.508	Fuel Line	1
10-7	4101.846	Spark Plug	1	30	N/A	Wire Assembly (red)	1
11	4110.124	Screw/Lockwasher, 1/2"	12	31	4100.541	Rubber Bushing	1
12	4101.151	Bushing	1	32	4103.875	Fuel Filter Assembly	1
13	4150.528	Strain Relief Bushing	1	33	4106.095	Electronic Ignitor	1
14	4103.651	Fan	1	34	4108.510	Screw, #10-16 x 3/4"	2
15	4150.553	Rubber Bumper	2	35	4106.110	Terminal Board	1
16	S/R	Wire Assembly (black)	2	36	N/A	Rivet	1
17	4109.560	Motor Bracket	1	37	4103.891	Fuel Tank Cap	1
18	**	Motor and Pump Assembly	1	38	4104.196	Flame-Out Control	1
18-1	4109.780	Motor with capacitor	1	39	4100.643	Fuel Tank	1
18-2	4101.317	Pump Body	1	40	4104.183	Side Cover	1
18-3	4108.635	Insert	1	41	4100.673	Nut, #10-32	3
18-4	4108.627	Rotor	1	42	4109.592	Hex Nut	1
18-5	4109.724	End Pump Cover	1	43	N/A	Terminal Board Tab Cap	2
18-6	4109.736	Lint Filter	1	44	S/R	Vinyl Foam Gasket	1
18-7	4109.690	Intake Filter	1	45	4100.527	Lock Washer, #10	2
18-8	4109.674	End Filter Cover	1	46	S/R	Bushing	1
18-9	4108.528	Screw, #10-32 x 1"	3	<b>PARTS AVAILABLE - NOT SHOWN</b>			
18-10	4108.379	Steel Ball (1/4" Dia.)	1		4105.292	Filler Neck Screen	1
18-11	4102.141	Pressure Relief Spring	1		4110.138	Tradename Decal	2
18-12	4102.133	Adjusting Screw	1		S/R	Combustion Chamber	
18-13	4102.125	Plug	1			Ground Wire	1
18-14	4109.708	Output Filter	1		S/R	Decal Package	1

S/R = Parts Available by Special Request Only

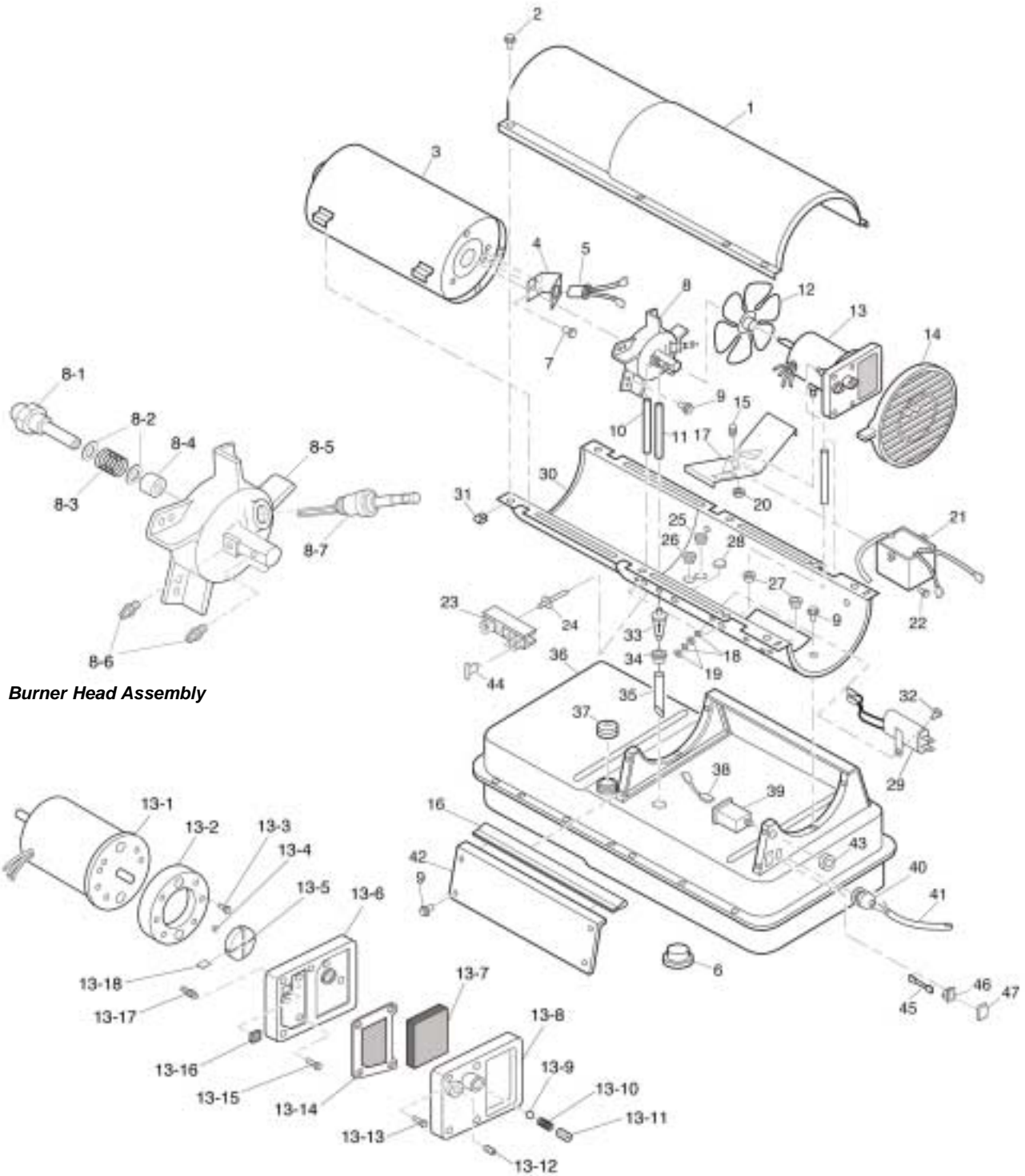
N/A = Parts Not Available

*This list contains replaceable parts used in your heater. When ordering parts, be sure to provide the correct model and serial numbers (from the model plate), then the part number and description of the desired part.*

# Spareparts MASTER HEATERS

MODEL 100 CEB 100,000 Btu/Hr Model

ILLUSTRATED PARTS BREAKDOWN



## Spareparts MASTER HEATERS

MODEL 100 CEB 100,000 Btu/Hr Model

## PARTS LIST

Key No.	Part Number	Description	Qty.	Key No.	Part Number	Description	Qty.
1	4104.006	Upper Shell	1	15	4150.553	Rubber Bumper	2
2	4109.590	Screw/Lockwasher, 1/2"	8	16	4103.850	Edge Liner	1
3	4101.180	Combustion Chamber	1	17	4101.240	Motor Bracket	1
4	4103.537	Photocell Bracket	1	18	4100.527	Lock Washer, #10	2
5	4103.552	Photocell Assembly	1	19	4100.673	Nut, #10-32	3
6	4100.632	Drain Plug	1	20	4108.486	Hex locknut	2
7	4103.529	Screw, #6-32 x 3/8"	2	21	4106.095	Electronic Ignitor	1
8	**	Burner Head Assembly	1	22	4108.510	Screw, #10-16 x 3/4"	2
8-1	4103.559	Nozzle	1	23	4106.110	Terminal Board	1
8-2	4100.525	Nozzle Seal Washer	2	24	N/A	Rivet	1
8-3	4100.533	Nozzle Seal Spring	1	25	4101.112	Bushing	1
8-4	4101.622	Nozzle Seal Sleeve	1	26	4101.112	Bushing	1
8-5	4109.352	Burner Head Body	1	27	4101.232	Bushing	2
8-6	4104.118	Barb Fitting	2	28	4110.070	Button Plug	1
8-7	4101.846	Spark Plug	1	29	4105.287	Power Line RFI Filter	1
9	4110.124	Screw/Lockwasher, 1/2"	13	30	4108.126	Lower Shell	1
10	4104.147	Air Line	1	31	4104.170	Clip Nut	8
11	4104.097	Fuel Line	1	32	4109.580	Screw, #10-32 x 3/4"	1
12	4105.062	Fan	1	33	4100.630	Fuel filter	1
13	**	Motor and Pump Assembly	1	34	4100.541	Rubber Bushing	1
13-1	4108.550	Motor with capacitor	1	35	4104.121	Fuel Line	1
13-2	4101.317	Pump Body	1	36	4105.298	Fuel Tank	1
13-3	4108.588	Screw, #10-32 x 5/8"	2	37	4103.891	Fuel Tank Cap	1
13-4	4108.635	Insert	1	38	N/A	Wire Assembly (red)	1
13-5	4108.627	Rotor	1	39	4104.196	Flame-Out Control	1
13-6	4101.325	End Pump Cover	1	40	4150.528	Strain Relief Bushing	1
13-7	4101.358	Intake Filter	1	41	S/R	Power Cord	1
13-8	4108.643	End Filter Cover	1	42	4104.183	Side Cover	1
13-9	4108.379	Steel Ball (1/4" Dia.)	1	43	4109.592	Hex Nut	1
13-10	4102.141	Pressure Relief Spring	1	44	N/A	Terminal Board Tab Cap	2
13-11	4102.133	Adjusting Screw	1	45	S/R	Wire Assembly (black)	2
13-12	4102.125	Plug	1	46	4106.179	ON/OFF Switch	1
13-13	4108.528	Screw, #10-32 x 1"	4	47	4104.336	Switch Cover	1
13-14	4101.341	Output Filter	1	<b>PARTS AVAILABLE - NOT SHOWN</b>			
13-15	4108.528	Screw, #10-32 x 1"	6				
13-16	4101.333	Lint Filter	1		4105.292	Filler Neck Screen	1
13-17	4104.118	Barb Fitting	1		4110.138	Tradename Decal	2
13-18	4101.200	Blade	4		S/R	Combustion Chamber	
13-19	4101.937	Capacitor	1			Ground Wire	1
14	4103.695	Fan Guard	1		S/R	Decal Package	1

S/R = Parts Available by Special Request Only

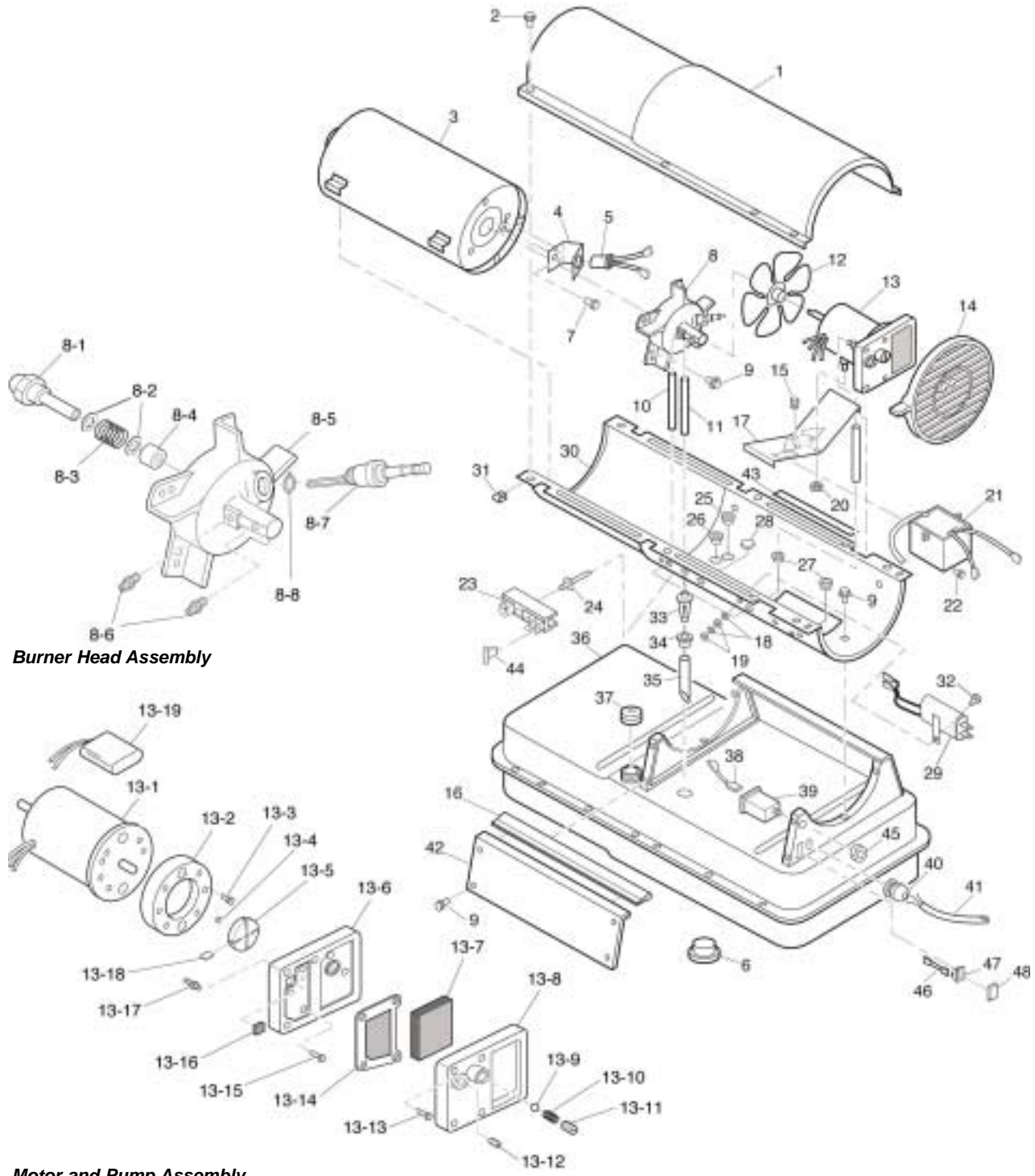
N/A = Parts Not Available

*This list contains replaceable parts used in your heater. When ordering parts, be sure to provide the correct model and serial numbers (from the model plate), then the part number and description of the desired part.*

# Spareparts MASTER HEATERS

MODEL 150 CEB 150,000 Btu/Hr Model

ILLUSTRATED PARTS BREAKDOWN



**Spareparts MASTER HEATERS**

**MODEL 150 CEB** 150,000 Btu/Hr Model

**PARTS LIST**

<i>Key No.</i>	<i>Part Number</i>	<i>Description</i>	<i>Qty.</i>	<i>Key No.</i>	<i>Part Number</i>	<i>Description</i>	<i>Qty.</i>
1	4104.006	Upper Shell	1	15	4108.536	Scew, #10-32 x 1 1/8"	6
2	4109.590	Screw/Lockwasher, 1/2"	8	16	4103.850	Edge Liner	1
3	4104.088	Combustion Chamber	1	17	4110.186	Motor Bracket	1
4	4103.537	Photocell Bracket	1	18	4100.527	Lock Washer, #10	2
5	4103.552	Photocell Assembly	1	19	4100.673	Nut, #10-32	3
6	4100.632	Drain Plug	1	20	4108.486	Hex locknut	2
7	4103.529	Screw, #6-32 x 3/8"	2	21	4106.095	Electronic Ignitor	1
8	**	Burner Head Assembly	1	22	4108.510	Screw, #10-16 x 3/4"	2
8-1	4103.898	Nozzle	1	23	4106.110	Terminal Board	1
8-2	4100.525	Nozzle Seal Washer	2	24	NA	Rivet	1
8-3	4100.533	Nozzle Seal Spring	1	25	4101.112	Bushing	1
8-4	4101.622	Nozzle Seal Sleeve	1	26	4101.112	Bushing	1
8-5	4105.187	Burner Head Body	1	27	4101.232	Bushing	2
8-6	4104.118	Barb Fitting	2	28	4110.070	Button Plug	1
8-7	4101.846	Spark Plug	1	29	4105.287	Power Line RFI Filter	1
8-8	4100.526	Wave Spring Washer	1	30	4108.126	Lower Shell	1
9	4110.124	Screw/Lockwasher, 1/2"	13	31	4104.170	Clip Nut	8
10	4104.156	Air Line	1	32	4109.590	Screw, #10-32 x 3/4"	1
11	4104.097	Fuel Line	1	33	4100.630	Fuel filter	1
12	4105.062	Fan	1	34	4100.541	Rubber Bushing	1
13	**	Motor and Pump Assembly	1	35	4101.262	Fuel Line	1
13-1	4108.550	Motor	1	36	4105.299	Fuel Tank	1
13-2	4101.532	Pump Body	1	37	4103.891	Fuel Tank Cap	1
13-3	4108.590	Screw, #10-32 x 3/4"	2	38	S/R	Wire Assembly (red)	1
13-4	4108.635	Insert	1	39	4104.196	Flame-Out Control	1
13-5	4103.441	Rotor	1	40	4150.528	Strain Relief Bushing	1
13-6	4101.325	End Pump Cover	1	41	S/R	Power Cord	1
13-7	4101.358	Intake Filter	1	42	4104.183	Side Cover	1
13-8	4108.643	End Filter Cover	1	43	4110.041	Vinyl Foam Gasket	2
13-9	4108.379	Steel Ball (1/4" Dia.)	1	44	N/A	Terminal Board Tab Cap	2
13-10	4102.141	Pressure Relief Spring	1	45	4109.592	Hex Nut	1
13-11	4102.133	Adjusting Screw	1	46	S/R	Wire Assembly (black)	2
13-12	4102.125	Plug	1	47	4106.179	ON/OFF Switch	1
13-13	4108.528	Screw, #10-32 x 1"	4	48	4104.336	Switch Cover	1
13-14	4101.341	Output Filter	1	<b>PARTS AVAILABLE - NOT SHOWN</b>			
13-15	4108.536	Screw, #10-32 x 1 1/8"	6				
13-16	4101.333	Lint Filter	1		4105.292	Filler Neck Screen	1
13-17	4104.118	Barb Fitting	1		S/R	Tradename Decal	2
13-18	4101.666	Blade	4		S/R	Combustion Chamber	
13-19	4101.937	Capacitor	1			Ground Wire	1
14	4103.659	Fan Guard	1		S/R	Decal Package	1

S/R = Parts Available by Special Request Only

N/A = Parts Not Available

*This list contains replaceable parts used in your heater. When ordering parts, be sure to provide the correct model and serial numbers (from the model plate), then the part number and description of the desired part.*



## Spareparts MASTER HEATERS

MODEL 35 CED 35,000 Btu/Hr Model

## PARTS LIST

Key No.	Part Number	Description	Qty.	Key No.	Part Number	Description	Qty.
1	4110.130	Handle	1	18-17	4101.666	Blade	4
2	4103.842	Upper Shell 1		18-18	4108.590	Screw, #10-32 x 3/4"	2
3	4109.590	Screw/Lockwasher, 1/2"	6	19	4103.685	Fan Guard	1
4	4100.638	Combustion Chamber	1	20	4108.486	Hex locknut	2
5	4100.671	Heat Shield	1	21	4101.152	Bushing (wires)	2
6	4160.602	Screw, #10-16 x 3/4"	2	22	4110.124	Screw/Lockwasher, 1/2"	11
7	4100.658	Photocell Bracket	1	23	4105.195	Lower Shell	1
8	4103.529	Screw, #6-32 x 3/8"	2	24	4104.170	Clip Nut	6
9	4103.552	Photocell Assembly	1	25	4110.133	Screw, #10-32 x 3/4"	1
10	4110.563	Power Cord	1	26	4104.147	Rubber Airline	1
11	**	Burner Strap Assembly	1	27	4109.567	Fuel Line	1
11-1	4110.092	Bracket	1	28	4110.195	Wire Assembly (red)	1
11-2	4109.526	Spark Plug	1	29	4100.541	Rubber Bushing	1
11-3	4100.664	Nozzle Adapter	1	30	4110.135	Fuel Filter Assembly	1
11-4	4109.518	Nut, 14mm	1	31	4110.609	Electronic Ignitor	1
11-5	4101.854	Nozzle	1	32	4108.510	Screw, #10-16 x 3/4"	2
12	4105.287	Power Line RFI Filter	1	33	4106.110	Terminal Board	1
13	4101.151	Bushing	1	34	4110.571	Rivet	1
14	4150.528	Strain Relief Bushing	1	35	4104.196	Flame-Out Control	1
15	4103.651	Fan	1	36	4103.891	Fuel Tank Cap	1
16	4150.553	Rubber Bumper	2	37	4105.294	Fuel Tank	1
17	4109.560	Motor Bracket	1	38	4104.175	Side Cover	1
18	**	Motor and Pump Assembly	1	39	4110.134	Nut, #10-32	3
18-1	4106.098	Motor (230V/50Hz)	1	40	4109.592	Hex Nut	1
18-2	4101.532	Pump Body	1	41	4101.151	Bushing	1
18-3	4108.635	Insert	1	42	4110.610	Vinyl Foam Gasket	1
18-4	4103.441	Rotor	1	43	4100.527	Lock Washer, #10	2
18-5	4109.724	End Pump Cover	1	44	4110.165	Wire Assembly (black)	2
18-6	4109.716	Lint Filter	1	45	4106.179	ON/OFF Switch	1
18-7	4109.690	Intake Filter	1	46	4104.336	Switch Cover	1
18-8	4109.674	End Filter Cover	1				
18-9	4108.528	Screw, #10-32 x 1"	3				
18-10	4108.379	Steel Ball (1/4" Dia.)	1	<b>PARTS AVAILABLE - NOT SHOWN</b>			
18-11	4102.141	Pressure Relief Spring	1				
18-12	4102.133	Adjusting Screw	1		4105.292	Filler Neck Screen	1
18-13	4102.125	Plug	1		4110.138	Tradename Decal	2
18-14	4109.708	Output Filter	1		4110.196	Combustion Chamber	
18-15	4108.536	Screw, #10-32 x 1 1/8"	6			Ground Wire	1
18-16	4100.661	Elbow, 90° (Barb Fitting)	1		4110.611	Decal Package	1

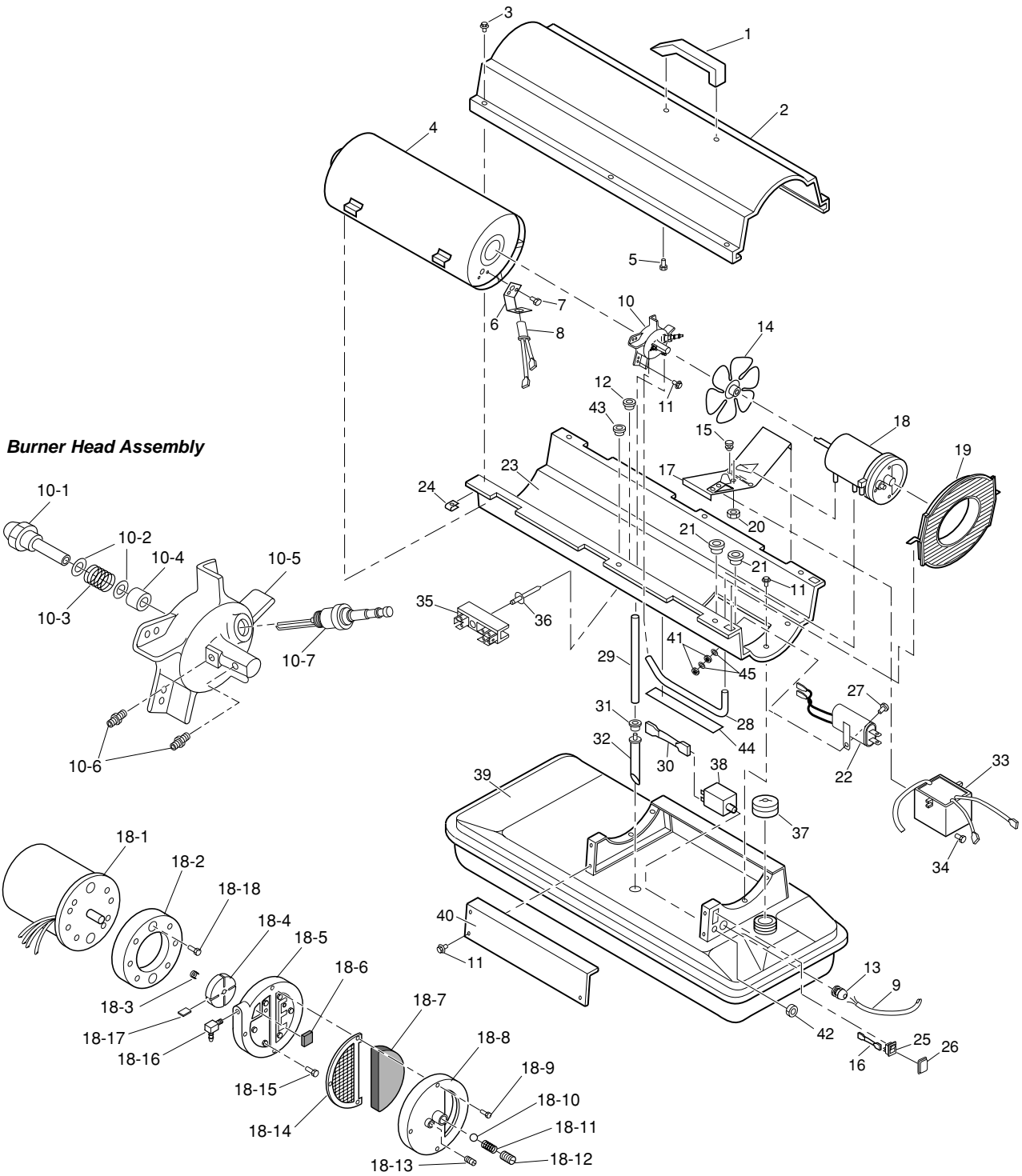
\*\*Not available as an assembly, order parts separately.

*This list contains replaceable parts used in your heater. When ordering parts, be sure to provide the correct model and serial numbers (from the model plate), then the part number and description of the desired part.*

# Spareparts MASTER HEATERS

MODEL 70 CED 70,000 Btu/Hr Model

## ILLUSTRATED PARTS BREAKDOWN



## Spareparts MASTER HEATERS

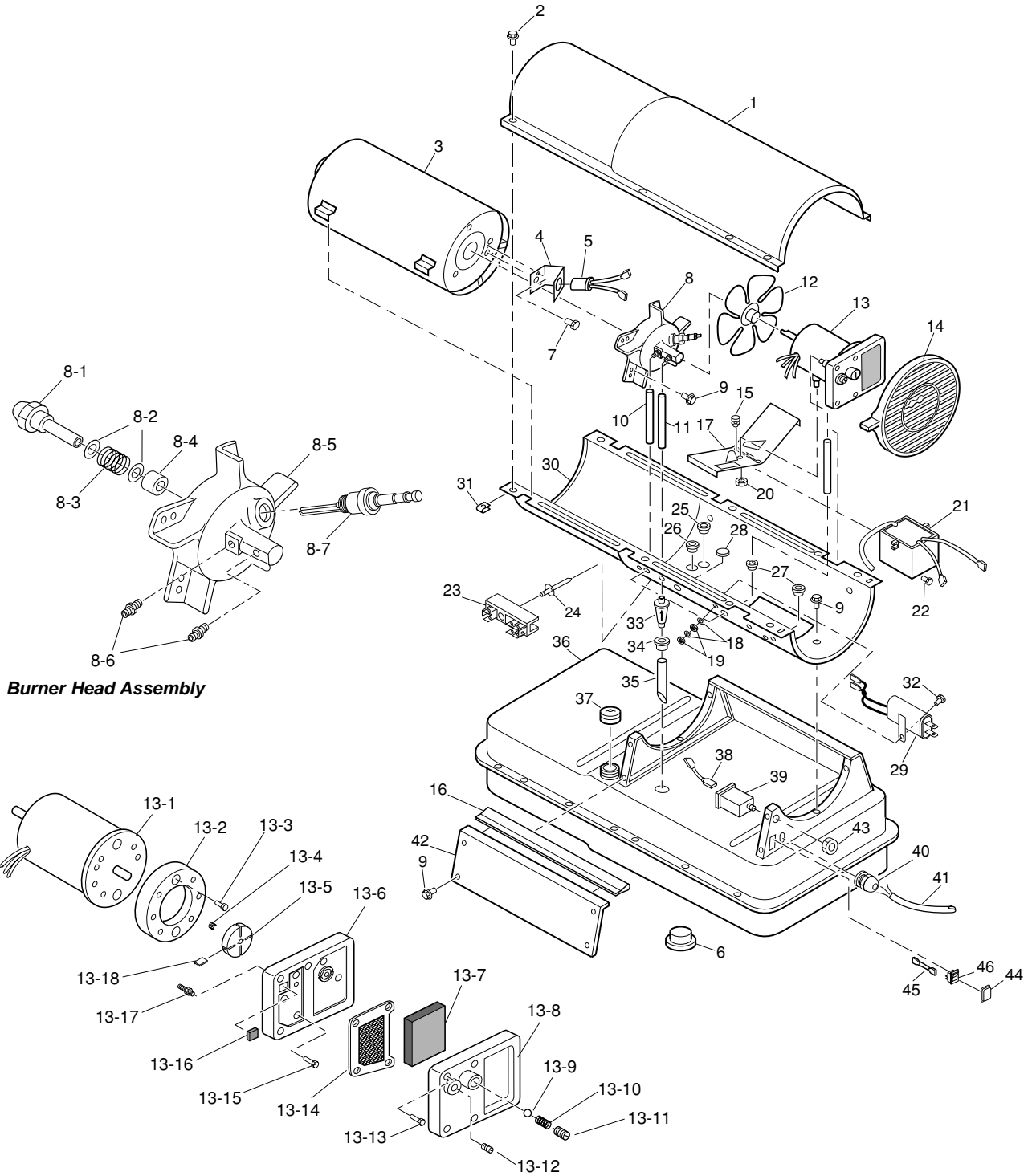
MODEL 70 CED 70,000 Btu/Hr Model

PARTS LIST

Key No.	Part Number	Description	Qty.	Key No.	Part Number	Description	Qty.
1	4110.130	Handle	1	18-16	4101.156	Elbow, 90° (Barb Fitting)	1
2	4103.842	Upper Shell	1	18-17	4101.200	Blade	4
3	4109.590	Screw/Lockwasher, 1/2"	6	18-18	4108.588	Screw, #10-32 x 5/8"	2
4	4104.090	Combustion Chamber	1	19	4103.685	Fan Guard	1
5	4160.602	Screw, #10-16 x 3/4"	2	20	4108.486	Hex locknut	2
6	4103.537	Photocell Bracket	1	21	4101.152	Bushing (wires)	2
7	4103.529	Screw, #6-32 x 3/8"	2	22	4105.287	Power Line RFI Filter	1
8	4110.564	Photocell Assembly	1	23	4105.195	Lower Shell	1
9	4110.536	Power Cord	1	24	4104.170	Clip Nut	6
10	**	Burner Head Assembly	1	25	4106.179	ON/OFF Switch	1
10-1	4103.486	Nozzle	1	26	4104.336	Switch Cover	1
10-2	4100.525	Nozzle Seal Washer	2	27	4110.133	Screw, #10-32 x 3/4"	1
10-3	4100.533	Nozzle Seal Spring	1	28	4109.633	Rubber Airline	1
10-4	4101.622	Nozzle Seal Sleeve	1	29	4105.508	Fuel Line	1
10-5	4109.351	Burner Head Body	1	30	4110.195	Wire Assembly (red)	1
10-6	4106.071	Barb Fitting	2	31	4100.541	Rubber Bushing	1
10-7	4101.846	Spark Plug	1	32	4103.875	Fuel Filter Assembly	1
11	4110.124	Screw/Lockwasher, 1/2"	12	33	4110.609	Electronic Ignitor	1
12	4101.151	Bushing	1	34	4108.510	Screw, #10-16 x 3/4"	2
13	4150.528	Strain Relief Bushing	1	35	4106.110	Terminal Board	1
14	4103.651	Fan	1	36	4110.571	Rivet	1
15	4150.553	Rubber Bumper	2	37	4103.891	Fuel Tank Cap	1
16	4110.165	Wire Assembly (black)	2	38	4104.196	Flame-Out Control	1
17	4109.560	Motor Bracket	1	39	4100.643	Fuel Tank	1
18	**	Motor and Pump Assembly	1	40	4104.183	Side Cover	1
18-1	4100.561	Motor with capacitor	1	41	4110.134	Nut, #10-32	3
18-2	4101.317	Pump Body	1	42	4109.592	Hex Nut	1
18-3	4108.635	Insert	1	43	4101.151	Bushing	1
18-4	4108.627	Rotor	1	44	4110.610	Vinyl Foam Gasket	1
18-5	4109.724	End Pump Cover	1	45	4100.527	Lock Washer, #10	2
18-6	4109.736	Lint Filter	1				
18-7	4109.690	Intake Filter	1				
18-8	4109.674	End Filter Cover	1				
18-9	4108.528	Screw, #10-32 x 1"	3	<b>PARTS AVAILABLE - NOT SHOWN</b>			
18-10	4108.379	Steel Ball (1/4" Dia.)	1				
18-11	4102.141	Pressure Relief Spring	1		4105.292	Filler Neck Screen	1
18-12	4102.133	Adjusting Screw	1		4110.138	Tradename Decal	2
18-13	4102.125	Plug	1		4110.196	Combustion Chamber	
18-14	4109.708	Output Filter	1			Ground Wire	1
18-15	4108.528	Screw, #10-32 x 1"	6		4110.604	Decal Package	1

\*\*Not available as an assembly, order parts separately.

*This list contains replaceable parts used in your heater. When ordering parts, be sure to provide the correct model and serial numbers (from the model plate), then the part number and description of the desired part.*



**Spareparts MASTER HEATERS**

**MODEL 100 CED** 100,000 Btu/Hr Model

**PARTS LIST**

<i>Key No.</i>	<i>Part Number</i>	<i>Description</i>	<i>Qty.</i>	<i>Key No.</i>	<i>Part Number</i>	<i>Description</i>	<i>Qty.</i>
1	4104.006	Upper Shell	1	16	4103.850	Edge Liner	1
2	4109.590	Screw/Lockwasher, 1/2"	8	17	4101.240	Motor Bracket	1
3	4101.180	Combustion Chamber	1	18	4100.527	Lock Washer, #10	2
4	4103.537	Photocell Bracket	1	19	4110.134	Nut, #10-32	3
5	4110.564	Photocell Assembly	1	20	4108.486	Hex locknut	2
6	4100.632	Drain Plug	1	21	4110.609	Electronic Ignitor	1
7	4103.529	Screw, #6-32 x 3/8"	2	22	4108.510	Screw, #10-16 x 3/4"	2
8	**	Burner Head Assembly	1	23	4106.110	Terminal Board	1
8-1	4103.559	Nozzle	1	24	4110.571	Rivet	1
8-2	4100.525	Nozzle Seal Washer	2	25	4101.112	Bushing	1
8-3	4100.533	Nozzle Seal Spring	1	26	4101.112	Bushing	1
8-4	4101.622	Nozzle Seal Sleeve	1	27	4101.232	Bushing	2
8-5	4109.352	Burner Head Body	1	28	4110.070	Button Plug	1
8-6	4104.118	Barb Fitting	2	29	4105.287	Power Line RFI Filter	1
8-7	4101.846	Spark Plug	1	30	4108.126	Lower Shell	1
9	4110.124	Screw/Lockwasher, 1/2"	13	31	4104.170	Clip Nut	8
10	4104.147	Air Line	1	32	4110.133	Screw, #10-32 x 3/4"	1
11	4104.097	Fuel Line	1	33	4100.630	Fuel filter	1
12	4105.062	Fan	1	34	4100.541	Rubber Bushing	1
13	**	Motor and Pump Assembly	1	35	4104.121	Fuel Line	1
13-1	4100.652	Motor with capacitor	1	36	4110.149	Fuel Tank	1
13-2	4101.317	Pump Body	1	37	4103.891	Fuel Tank Cap	1
13-3	4108.588	Screw, #10-32 x 5/8"	2	38	4110.195	Wire Assembly (red)	1
13-4	4108.635	Insert	1	39	4104-196	Flame-Out Control	1
13-5	4108.627	Rotor	1	40	4150.528	Strain Relief Bushing	1
13-6	4101.325	End Pump Cover	1	41	4110.563	Power Cord	1
13-7	4101.358	Intake Filter	1	42	4104.183	Side Cover	1
13-8	4108.643	End Filter Cover	1	43	4109.592	Hex Nut	1
13-9	4108.379	Steel Ball (1/4" Dia.)	1	44	4104.336	Switch Cover	1
13-10	4102.141	Pressure Relief Spring	1	45	4110.164	Wire Assembly (black)	2
13-11	4102.133	Adjusting Screw	1	46	4106.179	ON/OFF Switch	1
13-12	4102.125	Plug	1				
13-13	4108.528	Screw, #10-32 x 1"	4				
13-14	4101.341	Output Filter	1				
13-15	4108.528	Screw, #10-32 x 1"	6				
13-16	4101.333	Lint Filter	1		4105.292	Filler Neck Screen	1
13-17	4104.118	Barb Fitting	1		4110.138	Tradename Decal	2
13-18	4101.22	Blade	4		4110.196	Combustion Chamber	
14	4103.695	Fan Guard	1			Ground Wire	1
15	4150.553	Rubber Bumper	2		4110.605	Decal Package	1

**PARTS AVAILABLE - NOT SHOWN**

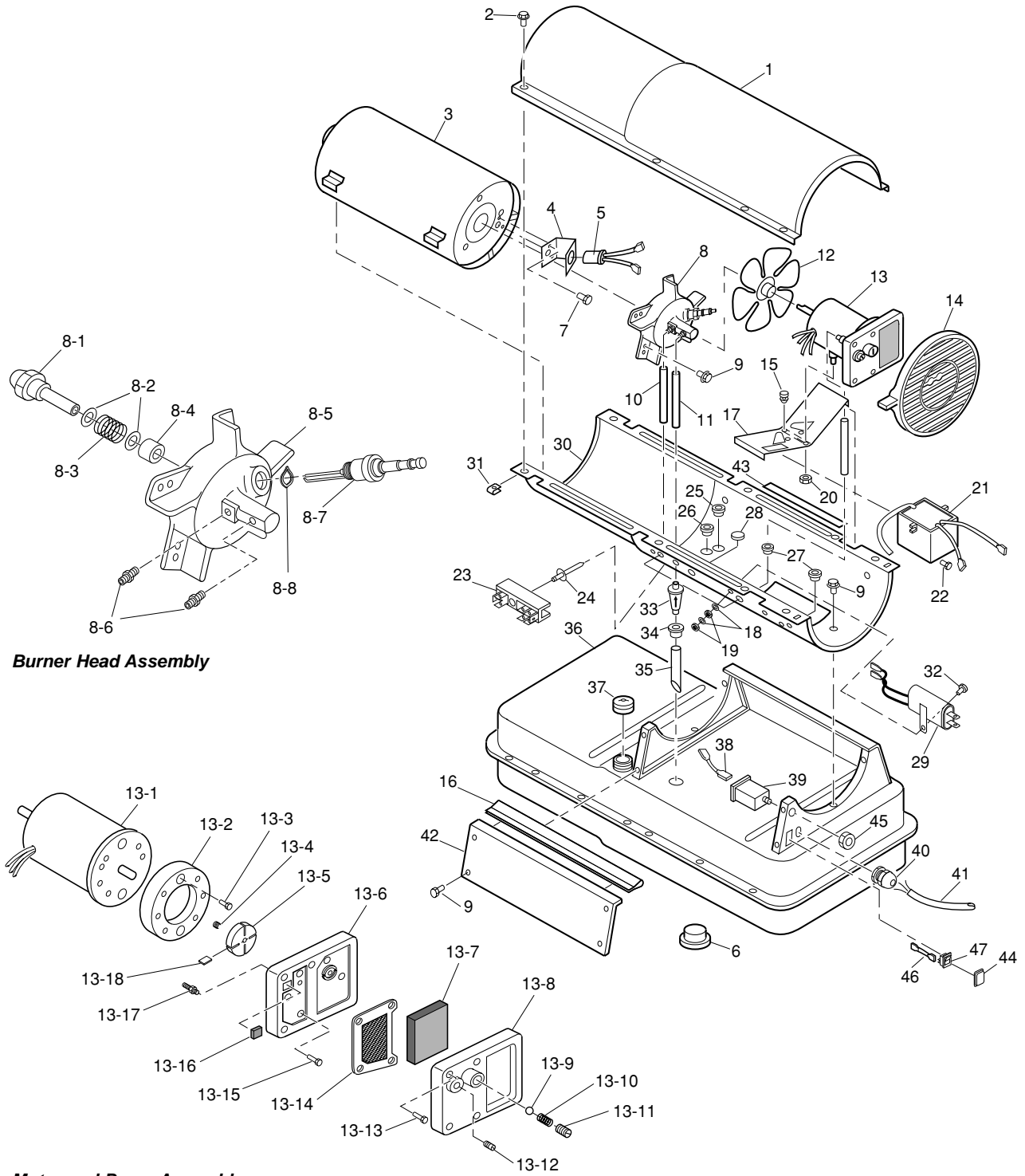
\*\*Not available as an assembly, order parts separately.

*This list contains replaceable parts used in your heater. When ordering parts, be sure to provide the correct model and serial numbers (from the model plate), then the part number and description of the desired part.*

# Spareparts MASTER HEATERS

MODEL 150 CED 150,000 Btu/Hr Model

ILLUSTRATED PARTS BREAKDOWN



**Spareparts MASTER HEATERS**

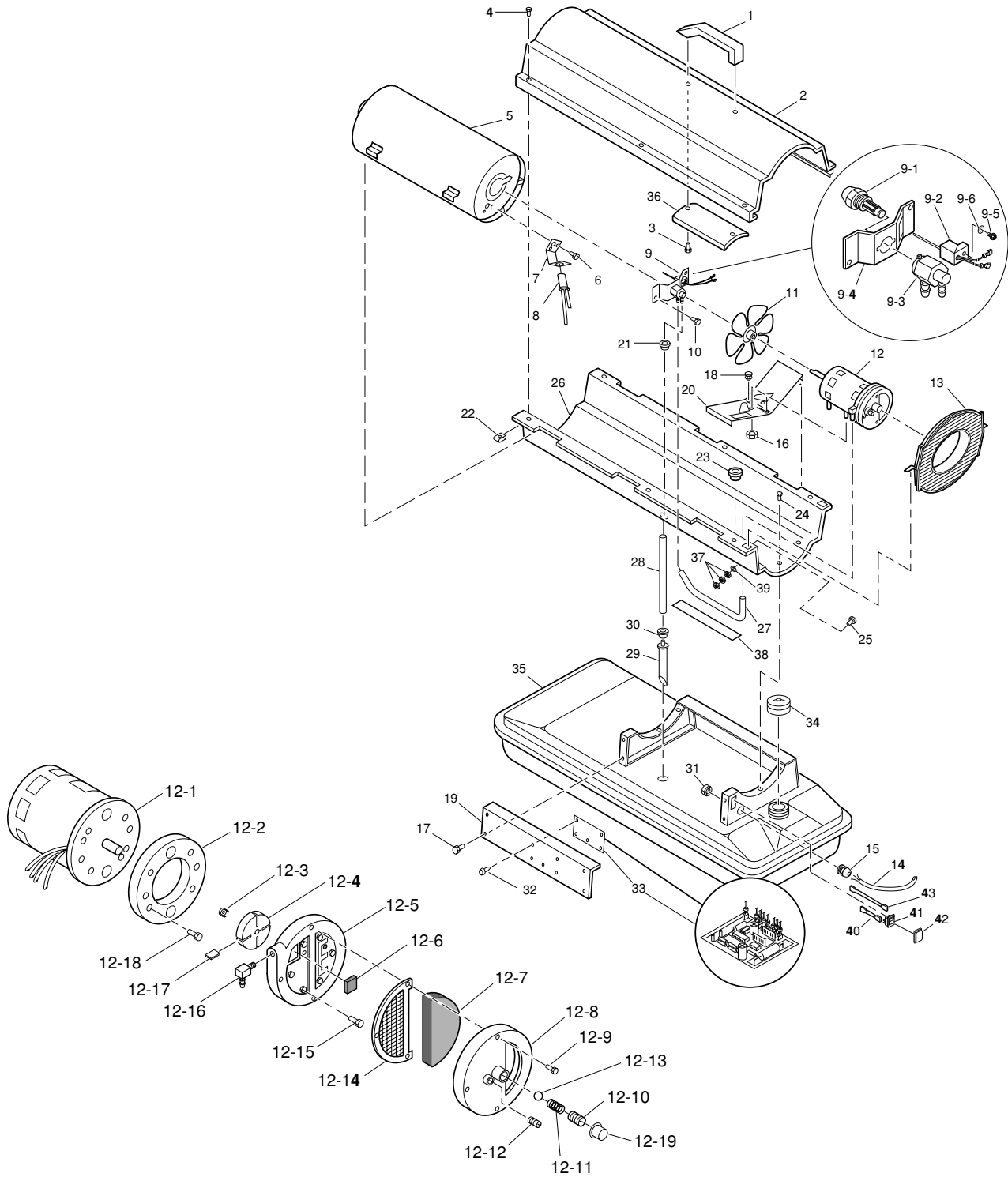
**MODEL 150 CED** 150,000 Btu/Hr Model

**PARTS LIST**

<i>Key No.</i>	<i>Part Number</i>	<i>Description</i>	<i>Qty.</i>	<i>Key No.</i>	<i>Part Number</i>	<i>Description</i>	<i>Qty.</i>
1	4104.006	Upper Shell	1	15	4150.533	Rubber Bumper	2
2	4109.590	Screw/Lockwasher, 1/2"	8	16	4103.850	Edge Liner	1
3	4100.641	Combustion Chamber	1	17	4110.186	Motor Bracket	1
4	4103.537	Photocell Bracket	1	18	4100.527	Lock Washer, #10	2
5	4103.552	Photocell Assembly	1	19	4110.134	Nut, #10-32	3
6	4100.632	Drain Plug	1	20	4108.486	Hex locknut	2
7	4103.529	Screw, #6-32 x 3/8"	2	21	4110.609	Electronic Ignitor	1
8	**	Burner Head Assembly	1	22	4108.510	Screw, #10-16 x 3/4"	2
8-1	4103.898	Nozzle	1	23	4106.110	Terminal Board	1
8-2	4100.525	Nozzle Seal Washer	2	24	4110.571	Rivet	1
8-3	4100.533	Nozzle Seal Spring	1	25	4101.112	Bushing	1
8-4	4101.622	Nozzle Seal Sleeve	1	26	4101.112	Bushing	1
8-5	4105.187	Burner Head Body	1	27	4101.232	Bushing	2
8-6	4104.118	Barb Fitting	2	28	4110.070	Button Plug	1
8-7	4101.846	Spark Plug	1	29	4105.287	Power Line RFI Filter	1
8-8	4100.526	Wave Spring Washer	1	30	4108.126	Lower Shell	1
9	4110.124	Screw/Lockwasher, 1/2"	13	31	4104.170	Clip Nut	8
10	4104.156	Air Line	1	32	4110.133	Screw, #10-32 x 3/4"	1
11	4110.032	Fuel Line	1	33	4100.630	Fuel filter	1
12	4105.062	Fan	1	34	4100.541	Rubber Bushing	1
13	**	Motor and Pump Assembly	1	35	4104.121	Fuel Line	1
13-1	4100.562	Motor with capacitor	1	36	4110.149	Fuel Tank	1
13-2	4101.532	Pump Body	1	37	4103.891	Fuel Tank Cap	1
13-3	4108.590	Screw, #10-32 x 3/4"	2	38	4110.195	Wire Assembly (red)	1
13-4	4108.635	Insert	1	39	4104.196	Flame-Out Control	1
13-5	4103.441	Rotor	1	40	4150.528	Strain Relief Bushing	1
13-6	4101.325	End Pump Cover	1	41	4110.563	Power Cord	1
13-7	4101.358	Intake Filter	1	42	4104.183	Side Cover	1
13-8	4108.643	End Filter Cover	1	43	4110.041	Vinyl Foam Gasket	2
13-9	4108.379	Steel Ball (1/4" Dia.)	1	44	4104.336	Switch Cover	1
13-10	4102.141	Pressure Relief Spring	1	45	4109.592	Hex Nut	1
13-11	4102.133	Adjusting Screw	1	46	4110.164	Wire Assembly (black)	2
13-12	4102.125	Plug	1	47	4106.179	ON/OFF Switch	1
13-13	4108.528	Screw, #10-32 x 1"	4	<b>PARTS AVAILABLE - NOT SHOWN</b>			
13-14	4101.341	Output Filter	1				
13-15	4108.536	Screw, #10-32 x 1 1/8"	6		4105.292	Filler Neck Screen	1
13-16	4101.333	Lint Filter	1		4110.138	Tradenname Decal	2
13-17	4104.118	Barb Fitting	1		4110.196	Combustion Chamber	
13-18	4101.666	Blade	4			Ground Wire	1
14	4103.659	Fan Guard	1		4110.606	Decal Package	1

\*\*Not available as an assembly, order parts separately.

*This list contains replaceable parts used in your heater. When ordering parts, be sure to provide the correct model and serial numbers (from the model plate), then the part number and description of the desired part.*



Motor and Pump Assembly

**Spareparts MASTER HEATERS**

**MODEL 35 CEH** 35,000 Btu/Hr Model

**PARTS LIST**

<b>Key No.</b>	<b>Part Number</b>	<b>Description</b>	<b>Qty.</b>	<b>Key No.</b>	<b>Part Number</b>	<b>Description</b>	<b>Qty.</b>
1	4103.784	Handle	1	16	4108.486	Hex Lock Nut, 1/4-20	2
2	4103.842	Upper Shell	1	17	4110.124	Screw/Lockwasher, 1/2"	4
3	4108.510	Screw	2	18	4150.553	Rubber Bumper	2
4	4109.590	Screw/Lockwasher	6	19	4100.635	Side Cover	1
5	4100.638	Combustion Chamber	1	20	4110.187	Motor Bracket	1
6	4103.529	Screw, #6-32 x 3/8"	2	21	4101.151	Bushing	1
7	4100.657	Photocell Bracket	1	22	4104.170	Clip Nut	6
8	4103.590	Photocell Assembly	1	23	4101.152	Bushing	1
9	**	Burner Strap Assembly	1	24	4110.124	Screw/Lockwasher, 1/2"	6
9-1	4100.648	Nozzle Assembly	1	25	4100.674	Screw	1
9-2	4110.516	Ignitor Kit w/ Ignition Control	1	26	4100.636	Lower Shell	1
				27	4104.147	Rubber Airline	1
9-3	4100.664	Nozzle Adapter	1	28	4109.567	Fuel Line	1
9-4	4100.653	Nozzle Adapter Bracket	1	29	4109.575	Fuel Filter	1
9-5	4100.669	Screw, #6-32 x 7/8"	1	30	4100.541	Rubber Bushing	1
9-6	4100.660	Belleville Washer	1	31	4100.656	Nylon Locknut	1
10	4110.124	Screw/Lockwasherr	2	32	4100.654	PCB Support	5
11	4100.662	Fan	1	33	4110.516	Ignition Control w/ Ignitor	1
12	**	Motor and Pump Assembly	1	34	4103.891	Fuel Cap (Includes Gasket)	1
12-1	4106.098	Motor	1	35	4100.642	Fuel Tank	1
12-2	4101.532	Pump Body	1	36	4100.671	Shell Heat-Shield	1
12-3	4108.635	Insert	1	37	4100.673	Nut	3
12-4	4103.441	Rotor	1	38	4110.075	Vinyl Foam Gasket	1
12-5	4109.724	Pump End Cover	1	39	4100.527	Lockwasher	1
12-6	4109.736	Lint Filter	1	40	S/R	Wire Assembly (Brown)	1
12-7	4109.690	Intake Filter	1	41	4100.667	ON/OFF Switch	1
12-8	4109.674	Filter End Cover	1	42	4104.336	Switch Cover	1
12-9	4108.528	Screw, #10-32 x 1"	3	43	S/R	Wire Assembly (White)	1
12-10	4102.133	Adjusting Screw	1				
12-11	4102.141	Pressure Relief Spring	1				
12-12	4102.125	Plug	1				
12-13	4108.379	Steel Ball, 1/4" Diameter	1				
12-14	4109.708	Output Filter	1				
12-15	4108.536	Screw #10-32 x 1 1/8"	6				
12-16	4101.666	Blade	4				
12-18	4108.590	Screw, #10-32 x 3/4"	2				
12-19	4100.666	Plastic Cap	1				
13	4103.685	Fan Guard	1		4105.292	Filler Neck Screen	1
14	S/R	Power Cord	1		S/R	Wire Tie	1
15	4150.528	Strain Relief Bushing	1		4110.138	Tradename Decal	2
					S/R	Decal Package	1

**PARTS AVAILABLE - NOT SHOWN**

S/R = Parts Available by Special Request Only

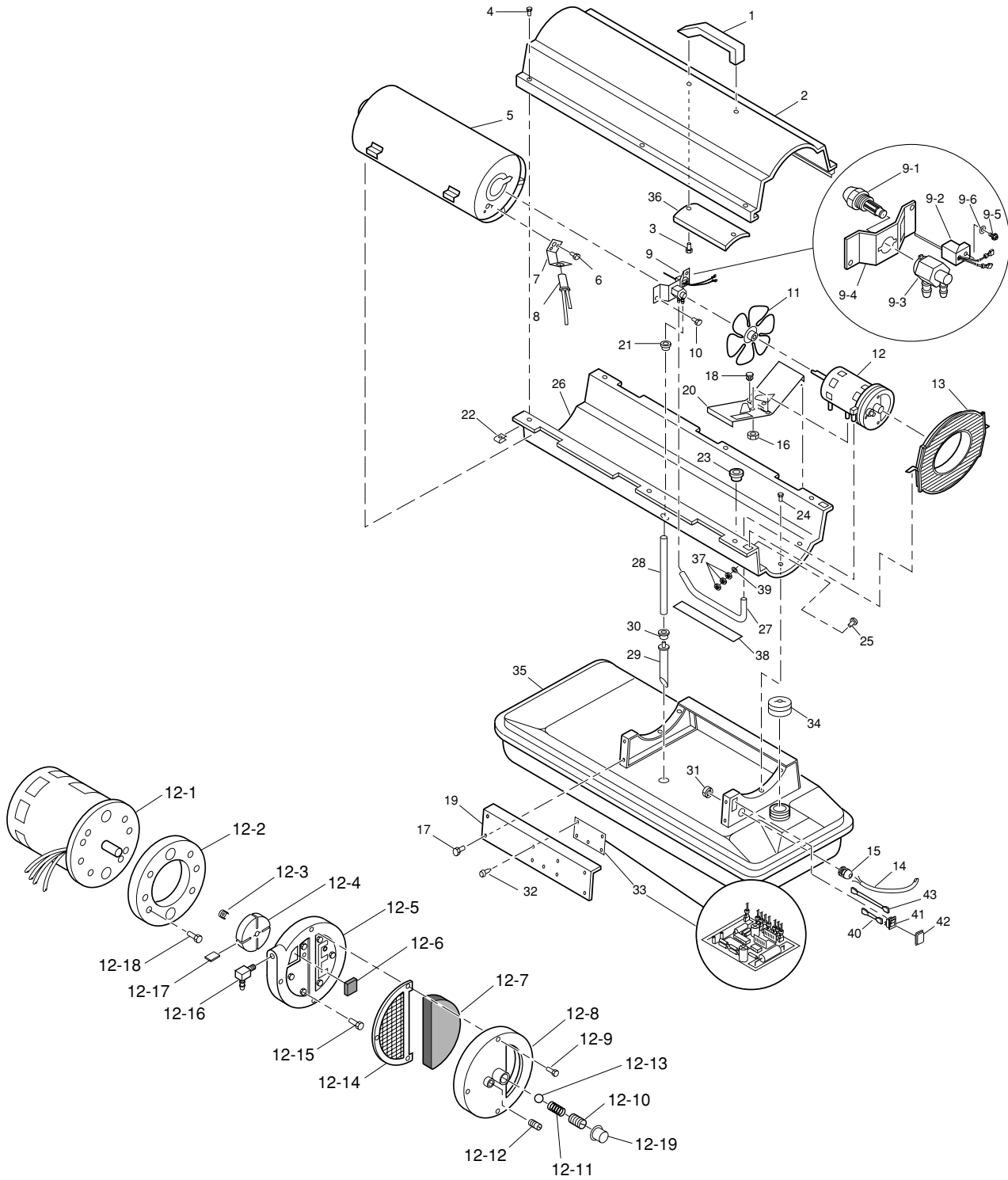
N/A = Parts Not Available

*This list contains replaceable parts used in your heater. When ordering parts, be sure to provide the correct model and serial numbers (from the model plate), then the part number and description of the desired part.*

# Spareparts MASTER HEATERS

MODEL 70 CEH 70,000 Btu/Hr Model

## ILLUSTRATED PARTS BREAKDOWN



**Motor and Pump Assembly**

**Spareparts MASTER HEATERS**

**MODEL 70 CEH 70,000 Btu/Hr Model**

**PARTS LIST**

<b>Key No.</b>	<b>Part Number</b>	<b>Description</b>	<b>Qty.</b>	<b>Key No.</b>	<b>Part Number</b>	<b>Description</b>	<b>Qty.</b>
1	4103.784	Handle	1	16	4108.486	Hex Lock Nut, 1/4-20	2
2	4103.842	Upper Shell	1	17	4110.124	Screw/Lockwasher, 1/2"	4
3	4108.510	Screw	2	18	4150.553	Rubber Bumper	2
4	4109.590	Screw/Lockwasher	6	19	4100.635	Side Cover	1
5	4100.639	Combustion Chamber	1	20	4110.187	Motor Bracket	1
6	4103.529	Screw, #6-32 x 3/8"	2	21	4101.151	Bushing	1
7	4100.657	Photocell Bracket	1	22	4104.170	Clip Nut	6
8	4103.590	Photocell Assembly	1	23	4101.152	Bushing	1
9	**	Burner Strap Assembly	1	24	4110.124	Screw/Lockwasher, 1/2"	6
9-1	4100.647	Nozzle Assembly	1	25	4100.674	Screw	1
9-2	4110.516	Ignitor Kit w/ Ignition Control	1	26	4100.636	Lower Shell	1
9-3	4100.664	Nozzle Adapter	1	27	4104.147	Rubber Airline	1
9-4	4100.653	Nozzle Adapter Bracket	1	28	4109.567	Fuel Line	1
9-5	4100.669	Screw, #6-32 x 7/8"	1	29	4103.875	Fuel Filter	1
9-6	4100.660	Belleville Washer	1	30	4100.541	Rubber Bushing	1
10	4110.124	Screw/Lockwasherr	2	31	4100.656	Nylon Locknut	1
11	4100.662	Fan	1	32	4100.654	PCB Support	5
12	**	Motor and Pump Assembly	1	33	4110.516	Ignition Control w/ Ignitor	1
12-1	4100.651	Motor	1	34	4103.891	Fuel Cap (Includes Gasket)	1
12-2	4101.317	Pump Body	1	35	4100.643	Fuel Tank	1
12-3	4108.635	Insert	1	36	4100.671	Shell Heat-Shield	1
12-4	4108.627	Rotor	1	37	4100.673	Nut	3
12-5	4109.724	Pump End Cover	1	38	S/R	Vinyl Foam Gasket	1
12-6	4109.736	Lint Filter	1	39	4100.527	Lockwasher	1
12-7	4109.690	Intake Filter	1	40	S/R	Wire Assembly (Brown)	1
12-8	4109.674	Filter End Cover	1	41	4100.667	ON/OFF Switch	1
12-9	4108.528	Screw, #10-32 x 1"	3	42	4104.336	Switch Cover	1
12-10	4102.133	Adjusting Screw	1	43	S/R	Wire Assembly (White)	1
12-11	4102.141	Pressure Relief Spring	1				
12-12	4102.125	Plug	1				
12-13	4108.379	Steel Ball, 1/4" Diameter	1				
12-14	4109.708	Output Filter	1				
12-15	4108.528	Screw #10-32 x 1"	6				
12-16	4100.661	Nylon Elbow, 90	1				
12-17	4101.200	Blade	4				
12-18	4108.588	Screw, #10-32 x 5/8"	2				
12-19	4100.666	Plastic Cap	1				
13	4103.685	Fan Guard	1		4105.292	Filler Neck Screen 1	
14	S/R	Power Cord	1		4110.049	Wire Tie 1	
15	4150.528	Strain Relief Bushing	1		4110.138	Tradename Decal 2	
					S/R	Decal Package 1	

**PARTS AVAILABLE - NOT SHOWN**

S/R = Parts Available by Special Request Only

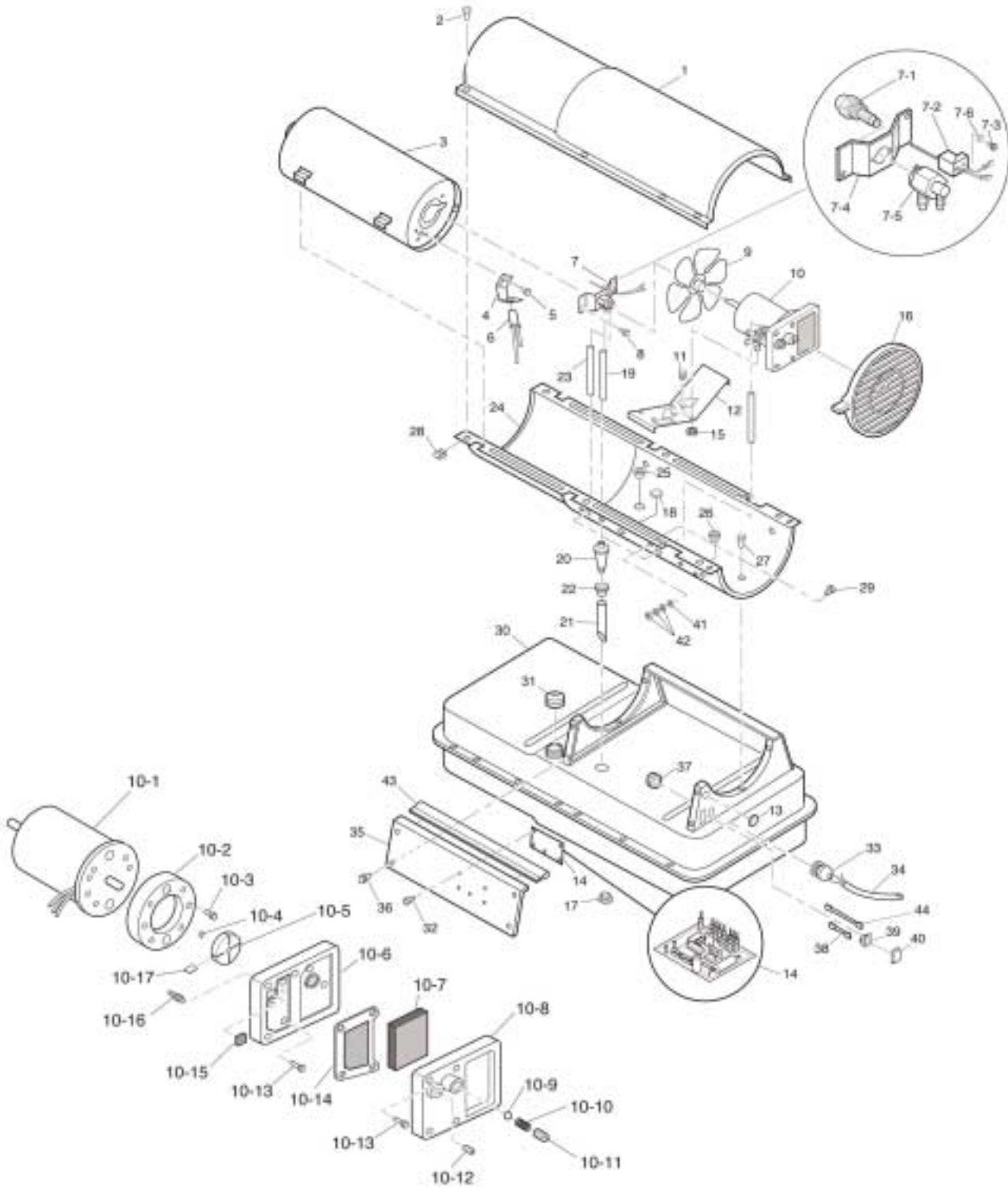
N/A = Parts Not Available

*This list contains replaceable parts used in your heater. When ordering parts, be sure to provide the correct model and serial numbers (from the model plate), then the part number and description of the desired part.*

# Spareparts MASTER HEATERS

MODEL 100 CEH 100,000 Btu/Hr Model

ILLUSTRATED PARTS BREAKDOWN



Motor and Pump Assembly

**Spareparts MASTER HEATERS**

**MODEL 100 CEH 100,000 Btu/Hr Model**

**PARTS LIST**

<b>Key No.</b>	<b>Part Number</b>	<b>Description</b>	<b>Qty.</b>	<b>Key No.</b>	<b>Part Number</b>	<b>Description</b>	<b>Qty.</b>
1	4104.006	Upper Shell	1	18	4110.070	Button Plug	1
2	4109.590	Screw/Lockwasher, 1/2"	8	19	4100.672	Fuel Line	1
3	4100.640	Combustion Chamber	1	20	4100.630	Fuel Filter	1
4	4100.658	Photocell Bracket	1	21	4104.121	Fuel Line Tube	1
5	4103.529	Screw	2	22	4100.541	Rubber Bushing	1
6	4103.590	Photocell Assembly	1	23	4104.156	Airline	1
7	**	Burner Strap Assembly	1	24	4100.637	Lower Shell	1
7-1	4100.645	Nozzle Assembly	1	25	4101.112	Bushing	1
7-2	4110.516	Ignitor Kit w/Ignition Control	1	26	4101.232	Bushing	1
7-3	4100.669	Screw, #6-32 x 7/8"	1	27	4110.124	Screw/Lockwasher, 1/2"	6
7-4	4100.653	Nozzle Adapter Bracket	1	28	4104.170	Clip Nut	8
7-5	4100.663	Nozzle Adapter	1	29	4100.674	Screw,	1
7-6	4100.660	Belleville Washer	1	30	4105.298	Fuel Tank	1
8	4110.124	Screw/Lockwasher, 1/2"	2	31	4103.891	Fuel Cap (Includes Gasket)	1
9	4105.062	Fan	1	32	4100.654	P.C. Board Support	5
10	**	Motor and Pump Assembly	1	33	4150.528	Strain Relief Bushing	1
10-1	4100.652	Motor	1	34	S/R	Power Cord	1
10-2	4101.317	Pump Body	1	35	4100.670	Side Cover	1
10-3	4108.588	Screw, #10-32 x 5/8"	2	36	4110.124	Screw/Lockwasher, 1/2"	4
10-4	4108.635	Rotor Insert	1	37	4100.656	Nylon Locknut	1
10-5	4108.627	Pump Rotor	1	38	S/R	Wire Assembly (Brown)	1
10-6	4101.325	Pump End Cover	1	39	4100.667	ON/OFF Switch	1
10-7	4101.358	Intake Filter	1	40	4104.336	Switch Cover	1
10-8	4108.643	Filter End Cover	1	41	4100.527	Lockwasher, #10	1
10-9	4108.379	Steel Ball, 1/4" Diameter	1	42	4100.673	Nut	3
10-10	4102.141	Relief Spring	1	43	4103.850	Edge Liner	1
10-11	4102.133	Adjusting Screw	1	44	S/R	Wire Assembly (White)	1
10-12	4102.125	Plug	1				
10-13	4108.528	Screw, #10-32 x 1"	10				
10-14	4101.341	Output Filter	1				
10-15	4101.333	Lint Filter	1				
10-16	4104.118	Barb Fitting	1				
10-17	4101.200	Blade	4				
11	4150.553	Rubber Bumper	2				
12	4110.186	Motor Mounting Bracket	1	<b>PARTS AVAILABLE - NOT SHOWN</b>			
12	4100.649	Button Plug	1				
14	4110.516	Ignitor Control w/Ignitor	1		4105.292	Filler Neck Screen	1
15	4108.486	Hex Lock Nut, 1/4-20	2		4110.049	Wire Tie	1
16	4103.659	Fan Guard	1		4110.138	Tradename Decal	2
17	4100.632	Drain Plug (Includes "o" Ring)	1		S/R	Decal Package	1

S/R = Parts Available by Special Request Only

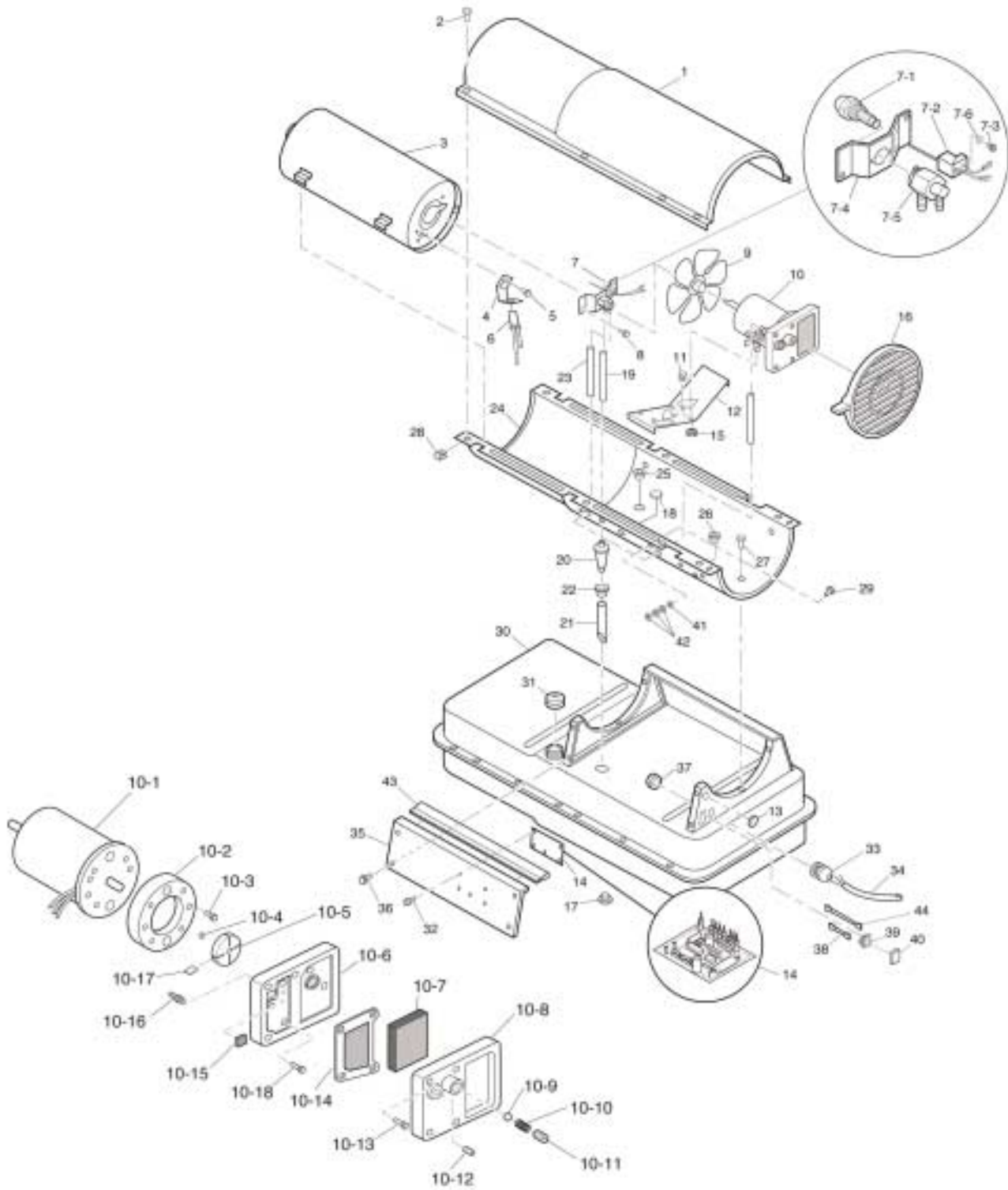
N/A = Parts Not Available

*This list contains replaceable parts used in your heater. When ordering parts, be sure to provide the correct model and serial numbers (from the model plate), then the part number and description of the desired part.*

# Spareparts MASTER HEATERS

MODEL 150 CEH 150,000 Btu/Hr Model

ILLUSTRATED PARTS BREAKDOWN



Motor and Pump Assembly

**Spareparts MASTER HEATERS**

**MODEL 150 CEH 150,000 Btu/Hr Model**

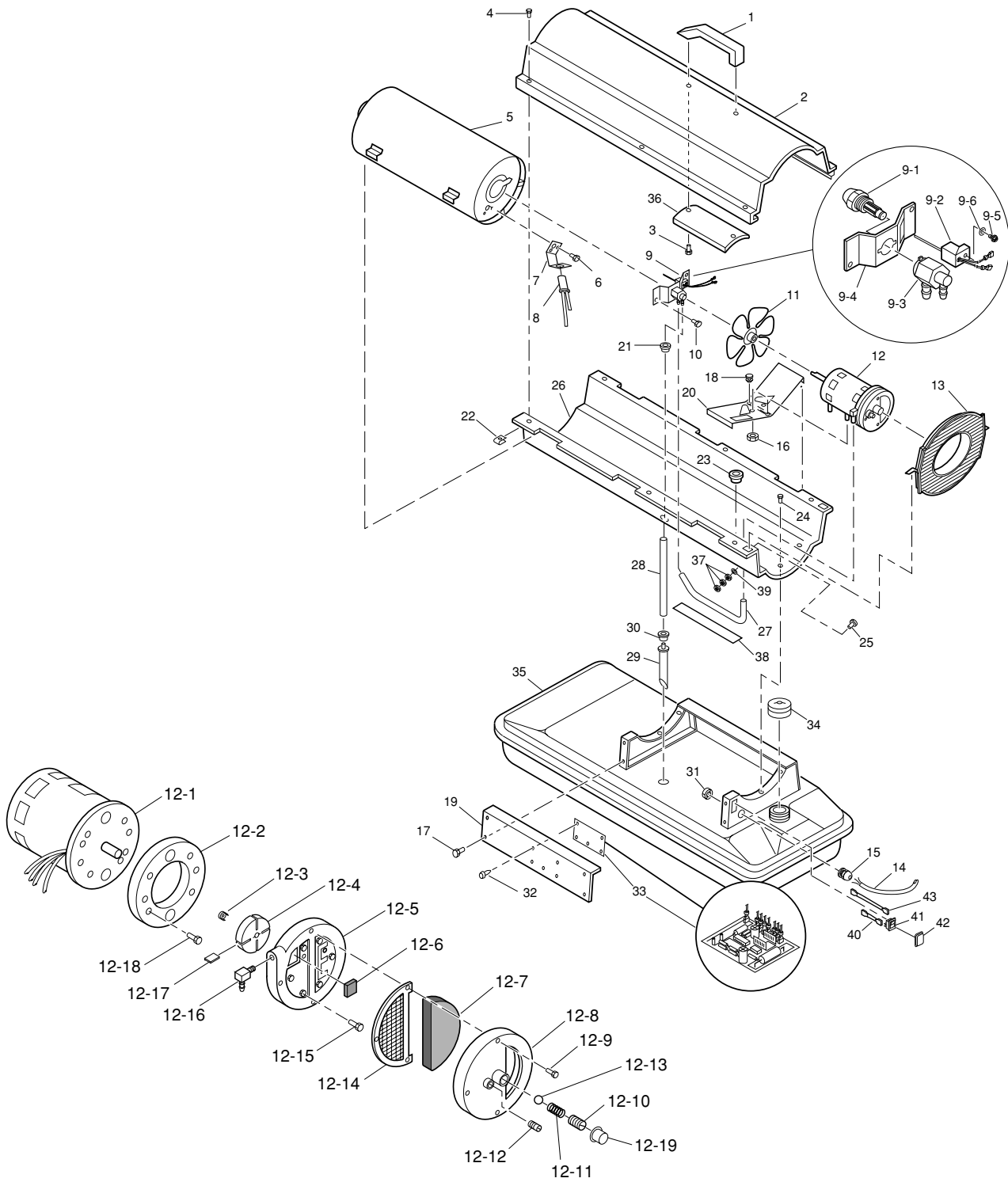
**PARTS LIST**

<i>Key No.</i>	<i>Part Number</i>	<i>Description</i>	<i>Qty.</i>	<i>Key No.</i>	<i>Part Number</i>	<i>Description</i>	<i>Qty.</i>
1	4104.006	Upper Shell	1	16	4103.659	Fan Guard	1
2	4109.590	Screw/Lockwasher, 1/2"	8	17	4100.632	Drain Plug (Includes "o" Ring)	1
3	4100.641	Combustion Chamber	1				
4	4100.659	Photocell Bracket	1	18	4110.070	Button Plug	1
5	4103.529	Screw	2	19	4100.672	Fuel Line	1
6	4103.590	Photocell Assembly	1	20	4100.630	Fuel Filter	1
7	**	Burner Strap Assembly	1	21	4101.262	Fuel Line Tube	1
7-1	4100.646	Nozzle Assembly	1	22	4100.541	Rubber Bushing	1
7-2	4110.516	Ignitor Kit w/Ignition Control	1	23	4104.156	Airline	1
			1	24	4100.637	Lower Shell	1
7-3	4100.669	Screw, #6-32 x 7/8"	1	25	4101.112	Bushing	1
7-4	4100.653	Nozzle Adapter Bracket	1	26	4101.232	Bushing	1
7-5	4100.663	Nozzle Adapter	1	27	4110.124	Screw/Lockwasher, 1/2"	6
7-6	4100.660	Belleville Washer	1	28	4104.170	Clip Nut	8
8	4110.124	Screw/Lockwasher, 1/2"	2	29	4100.674	Screw,	1
9	4105.062	Fan	1	30	4105.299	Fuel Tank	1
10	**	Motor and Pump Assembly	1	31	4103.891	Fuel Cap (Includes Gasket)	1
10-1	4100.652	Motor	1	32	4100.654	P.C. Board Support	5
10-2	4101.532	Pump Body	1	33	4150.528	Strain Relief Bushing	1
10-3	4108.590	Screw, #10-32 x 3/4"	2	34	S/R	Power Cord	1
10-4	4108.635	Rotor Insert	1	35	4100.670	Side Cover	1
10-5	4103.441	Pump Rotor	1	36	4110.124	Screw/Lockwasher, 1/2"	4
10-6	4101.325	Pump End Cover	1	37	4100.656	Nylon Locknut	1
10-7	4101.358	Intake Filter	1	38	S/R	Wire Assembly (Brown)	1
10-8	4108.643	Filter End Cover	1	39	4100.667	ON/OFF Switch	1
10-9	4108.379	Steel Ball, 1/4" Diameter	1	40	4104.336	Switch Cover	1
10-10	4102.141	Relief Spring	1	41	4100.527	Lockwasher, #10	1
10-11	4102.133	Adjusting Screw	1	42	4100.673	Nut	3
10-12	4102.125	Plug	1	43	4103.850	Edge Liner	1
10-13	4108.528	Screw, #10-32 x 1"	4	44	S/R	Wire Assembly (White)	1
10-14	4101.341	Output Filter	1				
10-15	4101.333	Lint Filter	1				
10-16	4104.118	Barb Fitting	1				
10-17	4101.666	Blade	4				
10-18	4108.536	Screw, #10-32 x 1 1/8"	6	<b>PARTS AVAILABLE - NOT SHOWN</b>			
11	4150.553	Rubber Bumper	2				
12	4110.186	Motor Mounting Bracket	1		4105.292	Filler Neck Screen	1
13	4100.649	Button Plug	1		S/R	Wire Tie	1
14	4110.516	Ignition Control w/Ignitor	1		4110.138	Tradename Decal	2
15	4108.486	Hex Lock Nut, 1/4-20	2		S/R	Decal Package	1.

S/R = Parts Available by Special Request Only

N/A = Parts Not Available

*This list contains replaceable parts used in your heater. When ordering parts, be sure to provide the correct model and serial numbers (from the model plate), then the part number and description of the desired part.*



Motor and Pump Assembly

## Spareparts MASTER HEATERS

MODEL 35 CEL 35,000 Btu/Hr Model

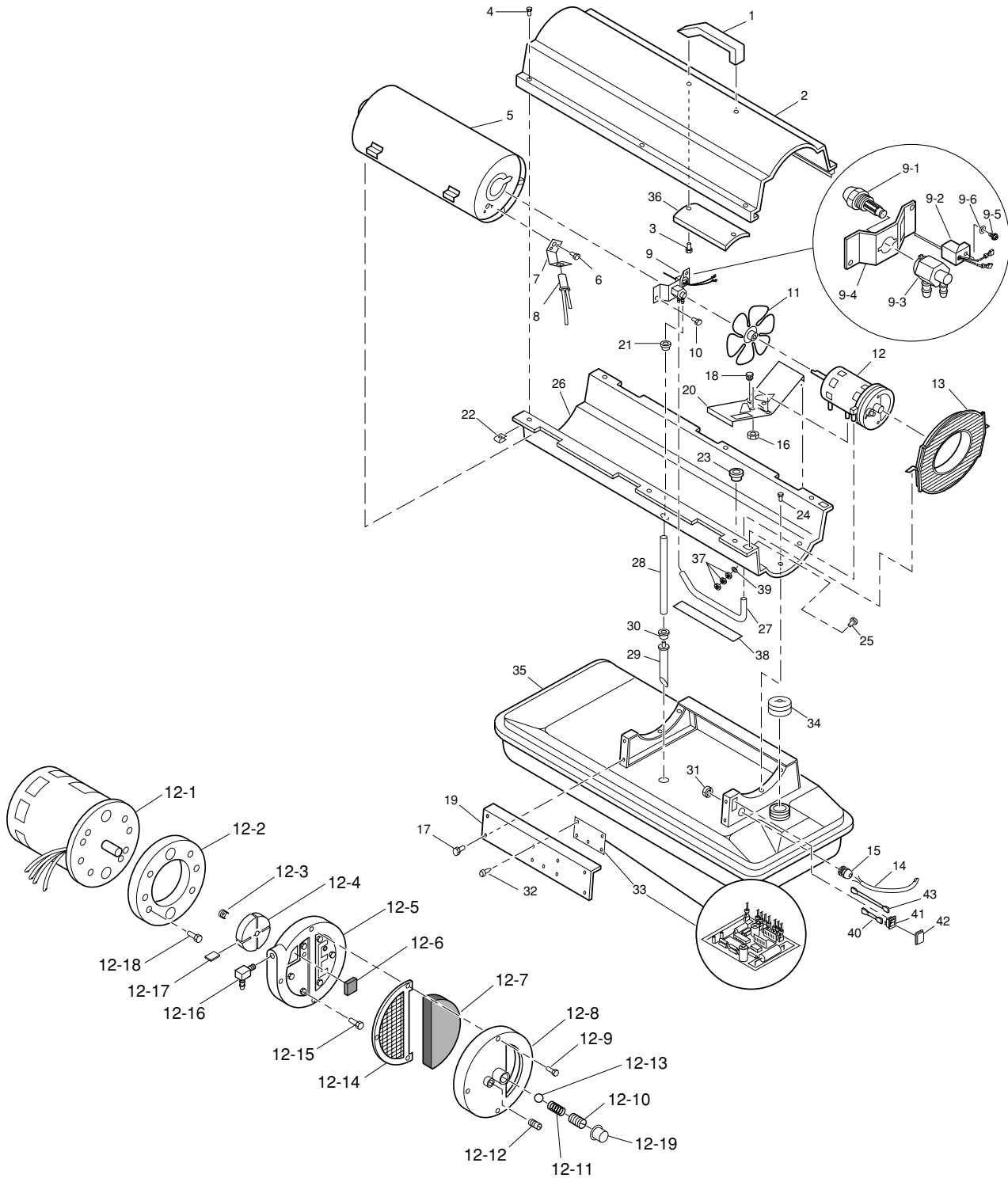
## PARTS LIST

Key No.	Part Number	Description	Qty.	Key No.	Part Number	Description	Qty.
1	4110.130	Handle	1	16	4108.486	Hex Lock Nut, 1/4-20	2
2	4103.842	Upper Shell	1	17	4110.124	Screw/Lockwasher, 1/2"	4
3	4160.602	Screw	2	18	4150.553	Rubber Bumper	2
4	4109.590	Screw/Lockwasher	6	19	4100.635	Side Cover	1
5	4100.638	Combustion Chamber	1	20	4110.187	Motor Bracket	1
6	4103.529	Screw, #6-32 x 3/8"	2	21	4101.151	Bushing	1
7	4100.657	Photocell Bracket	1	22	4104.170	Clip Nut	6
8	4103.590	Photocell Assembly	1	23	4101.152	Bushing	1
9	**	Burner Strap Assembly	1	24	4110.124	Screw/Lockwasher, 1/2"	6
9-1	4100.648	Nozzle Assembly	1	25	4110.133	Screw	1
9-2	4110.132	Ignitor Kit	1	26	4100.636	Lower Shell	1
9-3	4100.664	Nozzle Adapter	1	27	4104.147	Rubber Airline	1
9-4	4100.653	Nozzle Adapter Bracket	1	28	4109.567	Fuel Line	1
9-5	4100.669	Screw, #6-32 x 7/8"	1	29	4110.135	Fuel Filter	1
9-6	4100.660	Belleville Washer	1	30	4100.541	Rubber Bushing	1
10	4110.124	Screw/Lockwasherr	2	31	4100.656	Nylon Locknut	1
11	4100.662	Fan	1	32	4100.654	PCB Support	5
12	**	Motor and Pump Assembly	1	33	4110.142	Ignition Control Assembly	1
12-1	4106.098	Motor	1	34	4103.891	Fuel Cap (Includes Gasket)	1
12-2	4101.532	Pump Body	1	35	4110.136	Fuel Tank	1
12-3	4108.635	Insert	1	36	4100.671	Shell Heat-Shield	1
12-4	4103.441	Rotor	1	37	4110.134	Nut	3
12-5	4109.724	Pump End Cover	1	38	4110.075	Vinyl Foam Gasket	1
12-6	4109.736	Lint Filter	1	39	4100.527	Lockwasher	1
12-7	4109.690	Intake Filter	1	40	S/R	Wire Assembly (Brown)	1
12-8	4109.674	Filter End Cover	1	41	4100.667	ON/OFF Switch	1
12-9	4108.528	Screw, #10-32 x 1"	3	42	4104.336	Switch Cover	1
12-10	4102.133	Adjusting Screw	1	43	S/R	Wire Assembly (White)	1
12-11	4102.141	Pressure Relief Spring	1				
12-12	4102.125	Plug	1				
12-13	4108.379	Steel Ball, 1/4" Diameter	1				
12-14	4109.708	Output Filter	1				
12-15	4108.536	Screw #10-32 x 1 1/8"	6				
12-16	4100.661	Nylon Elbow, 90	1				
12-17	4101.666	Blade	4				
12-18	4108.590	Screw, #10-32 x 3/4"	2				
12-19	4100.666	Plastic Cap	1				
13	4103.685	Fan Guard	1				
14	S/R	Power Cord	1				
15	4150.528	Strain Relief Bushing	1				
				<b>PARTS AVAILABLE - NOT SHOWN</b>			
					4105.292	Filler Neck Screen	1
					4110.049	Wire Tie	1
					4110.138	Tradename Decal	2
					S/R	Decal Package	1
					4110.137	Ignition Control Assembly Fuse	1

S/R = Parts Available by Special Request Only

N/A = Parts Not Available

*This list contains replaceable parts used in your heater. When ordering parts, be sure to provide the correct model and serial numbers (from the model plate), then the part number and description of the desired part.*



Motor and Pump Assembly

**Spareparts MASTER HEATERS**

**MODEL 70 CEL** 70,000 Btu/Hr Model

**PARTS LIST**

<i>Key No.</i>	<i>Part Number</i>	<i>Description</i>	<i>Qty.</i>	<i>Key No.</i>	<i>Part Number</i>	<i>Description</i>	<i>Qty.</i>
1	4110.130	Handle	1	16	4108.486	Hex Lock Nut, 1/4-20	2
2	4103.842	Upper Shell	1	17	4110.124	Screw/Lockwasher, 1/2"	4
3	4160.602	Screw	2	18	4150.553	Rubber Bumper	2
4	4109.590	Screw/Lockwasher	6	19	4100.635	Side Cover	1
5	4100.639	Combustion Chamber	1	20	4110.187	Motor Bracket	1
6	4103.529	Screw, #6-32 x 3/8"	2	21	4101.151	Bushing	1
7	4100.657	Photocell Bracket	1	22	4104.170	Clip Nut	6
8	4103.590	Photocell Assembly	1	23	4101.152	Bushing	1
9	**	Burner Strap Assembly	1	24	4110.124	Screw/Lockwasher, 1/2"	6
9-1	4100.647	Nozzle Assembly	1	25	4110.133	Screw	1
9-2	4110.132	Ignitor Kit	1	26	4100.636	Lower Shell	1
9-3	4100.664	Nozzle Adapter	1	27	4104.147	Rubber Airline	1
9-4	4100.653	Nozzle Adapter Bracket	1	28	4109.567	Fuel Line	1
9-5	4100.669	Screw, #6-32 x 7/8"	1	29	4103.875	Fuel Filter	1
9-6	4100.660	Belleville Washer	1	30	4100.541	Rubber Bushing	1
10	4110.124	Screw/Lockwasherr	2	31	4100.656	Nylon Locknut	1
11	4100.662	Fan	1	32	4100.654	PCB Support	5
12	**	Motor and Pump Assembly	1	33	4110.142	Ignition Control Assembly	1
12-1	4100.651	Motor	1	34	4103.891	Fuel Cap	
12-2	4101.317	Pump Body	1			(Includes Gasket)	1
12-3	4108.635	Insert	1	35	4110.140	Fuel Tank	1
12-4	4108.627	Rotor	1	36	4100.671	Shell Heat-Shield	1
12-5	4109.724	Pump End Cover	1	37	4110.134	Nut	3
12-6	4109.736	Lint Filter	1	38	4110.075	Vinyl Foam Gasket	1
12-7	4109.690	Intake Filter	1	39	4100.527	Lockwasher	1
12-8	4109.674	Filter End Cover	1	40	S/R	Wire Assembly (Brown)	1
12-9	4108.528	Screw, #10-32 x 1"	3	41	4100.667	ON/OFF Switch	1
12-10	4102.133	Adjusting Screw	1	42	4104.336	Switch Cover	1
12-11	4102.141	Pressure Relief Spring	1	43	S/R	Wire Assembly (White)	1
12-12	4102.125	Plug	1				
12-13	4108.379	Steel Ball, 1/4" Diameter	1				
12-14	4109.708	Output Filter	1				
12-15	4108.528	Screw #10-32 x 1"	6	<b>PARTS AVAILABLE - NOT SHOWN</b>			
12-16	4100.661	Nylon Elbow, 90	1				
12-17	4101.200	Blade	4		4105.292	Filler Neck Screen	1
12-18	4108.588	Screw, #10-32 x 5/8"	2		4110.049	Wire Tie	1
12-19	4100.666	Plastic Cap	1		4110.138	Tradename Decal	2
13	4103.685	Fan Guard	1		S/R	Decal Package	1
14	S/R	Power Cord	1		4110.137	Ignition Control	
15	4150.528	Strain Relief Bushing	1			Assembly Fuse	1

S/R = Parts Available by Special Request Only

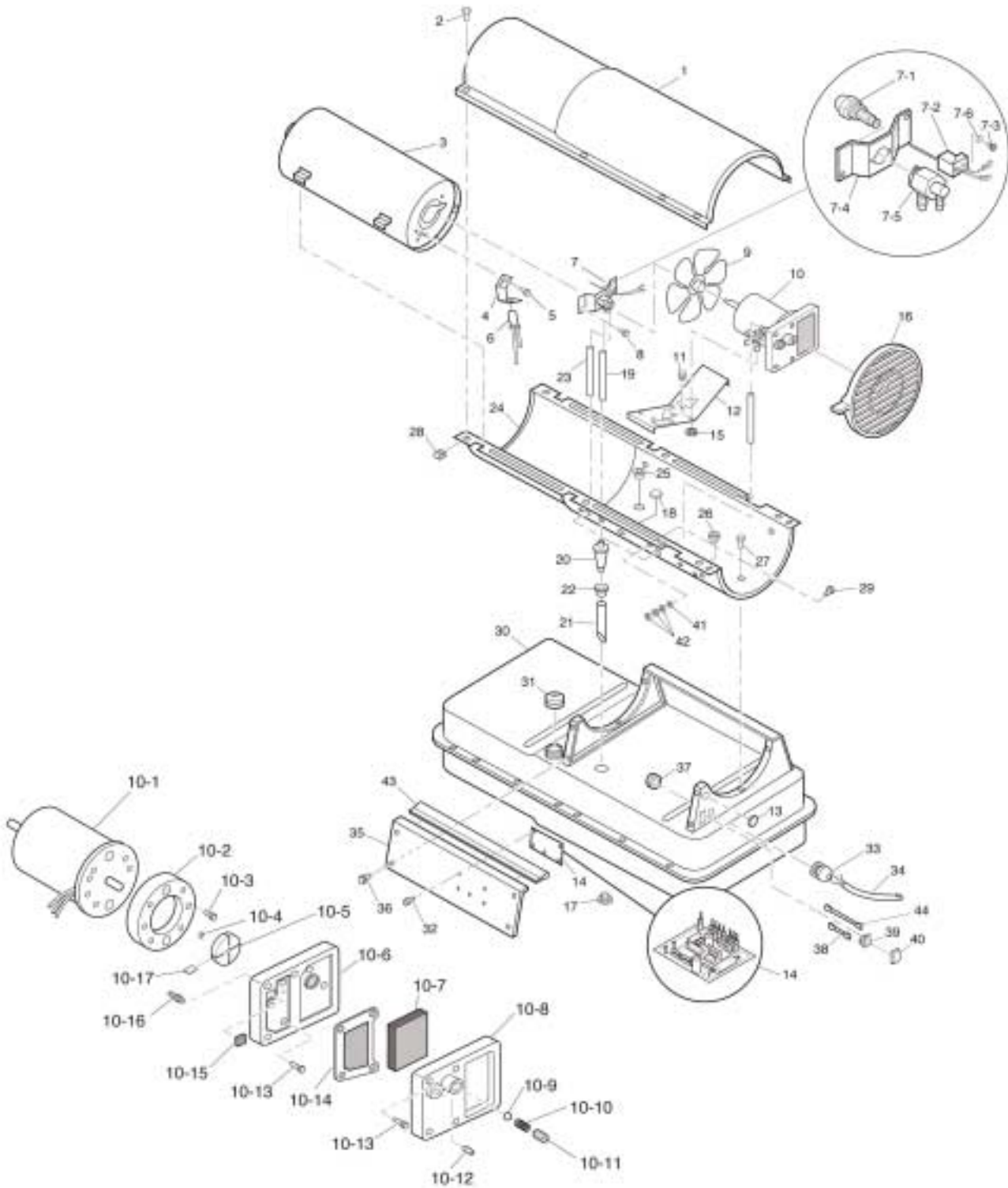
N/A = Parts Not Available

*This list contains replaceable parts used in your heater. When ordering parts, be sure to provide the correct model and serial numbers (from the model plate), then the part number and description of the desired part.*

# Spareparts MASTER HEATERS

MODEL 100 CEL 100,000 Btu/Hr Model

ILLUSTRATED PARTS BREAKDOWN



*Motor and Pump Assembly*

## Spareparts MASTER HEATERS

MODEL 100 CEL 100,000 Btu/Hr Model

## PARTS LIST

Key No.	Part Number	Description	Qty.	Key No.	Part Number	Description	Qty.
1	4104.006	Upper Shell	1	17	4100.632	Drain Plug	
2	4109.590	Screw/Lockwasher, 1/2"	8			(Includes "o" Ring)	1
3	4100.640	Combustion Chamber	1	18	4110.070	Button Plug	1
4	4100.658	Photocell Bracket	1	19	4110.032	Fuel Line	1
5	4103.529	Screw	2	20	4100.630	Fuel Filter	1
6	4103.590	Photocell Assembly	1	21	4110.147	Fuel Line Tube	1
7	**	Burner Strap Assembly	1	22	4100.541	Rubber Bushing	1
7-1	4100.645	Nozzle Assembly	1	23	4104.156	Airline	1
7-2	4110.132	Ignitor Kit	1	24	4100.637	Lower Shell	1
7-3	4100.669	Screw, #6-32 x 7/8"	1	25	4101.112	Bushing	1
7-4	4100.653	Nozzle Adapter Bracket	1	26	4101.232	Bushing	1
7-5	4100.663	Nozzle Adapter	1	27	4110.124	Screw/Lockwasher, 1/2"	6
7-6	4100.660	Belleville Washer	1	28	4104.170	Clip Nut	8
8	4110.124	Screw/Lockwasher, 1/2"	2	29	4110.133	Screw,	1
9	4105.062	Fan	1	30	4110.149	Fuel Tank	1
10	**	Motor and Pump Assembly	1	31	4103.891	Fuel Cap (Includes Gasket)	1
10-1	4100.652	Motor	1	32	4100.654	P.C. Board Support	5
10-2	4101.317	Pump Body	1	33	4150.528	Strain Relief Bushing	1
10-3	4108.588	Screw, #10-32 x 5/8"	2	34	S/R	Power Cord	1
10-4	4108.635	Rotor Insert	1	35	4100.670	Side Cover	1
10-5	4108.627	Pump Rotor	1	36	4110.124	Screw/Lockwasher, 1/2"	4
10-6	4101.325	Pump End Cover	1	37	4100.656	Nylon Locknut	1
10-7	4101.358	Intake Filter	1	38	S/R	Wire Assembly (Brown)	1
10-8	4108.643	Filter End Cover	1	39	4100.667	ON/OFF Switch	1
10-9	4108.379	Steel Ball, 1/4" Diameter	1	40	4104.336	Switch Cover	1
10-10	4102.141	Relief Spring	1	41	4100.527	Lockwasher, #10	1
10-11	4102.133	Adjusting Screw	1	42	4110.134	Nut	3
10-12	4102.125	Plug	1	43	4103.850	Edge Liner	1
10-13	4108.528	Screw, #10-32 x 1"	10	44	S/R	Wire Assembly (White)	1
10-14	4101.341	Output Filter	1	<b>PARTS AVAILABLE - NOT SHOWN</b>			
10-15	4101.333	Lint Filter	1				
10-16	4104.118	Barb Fitting	1				
10-17	4101.200	Blade	4				
11	4150.553	Rubber Bumper	2		4105.292	Filler Neck Screen	1
12	4110.186	Motor Mounting Bracket	1		4110.049	Wire Tie	1
12	4100.649	Button Plug	1		4110.138	Tradename Decal	2
14	4110.142	Igniton Control Assymbly	1		S/R	Decal Package	1
15	4108.486	Hex Lock Nut, 1/4-20	2		4110.137	Ignition Control	
16	4103.659	Fan Guard	1			Assembly Fuse	1

S/R = Parts Available by Special Request Only

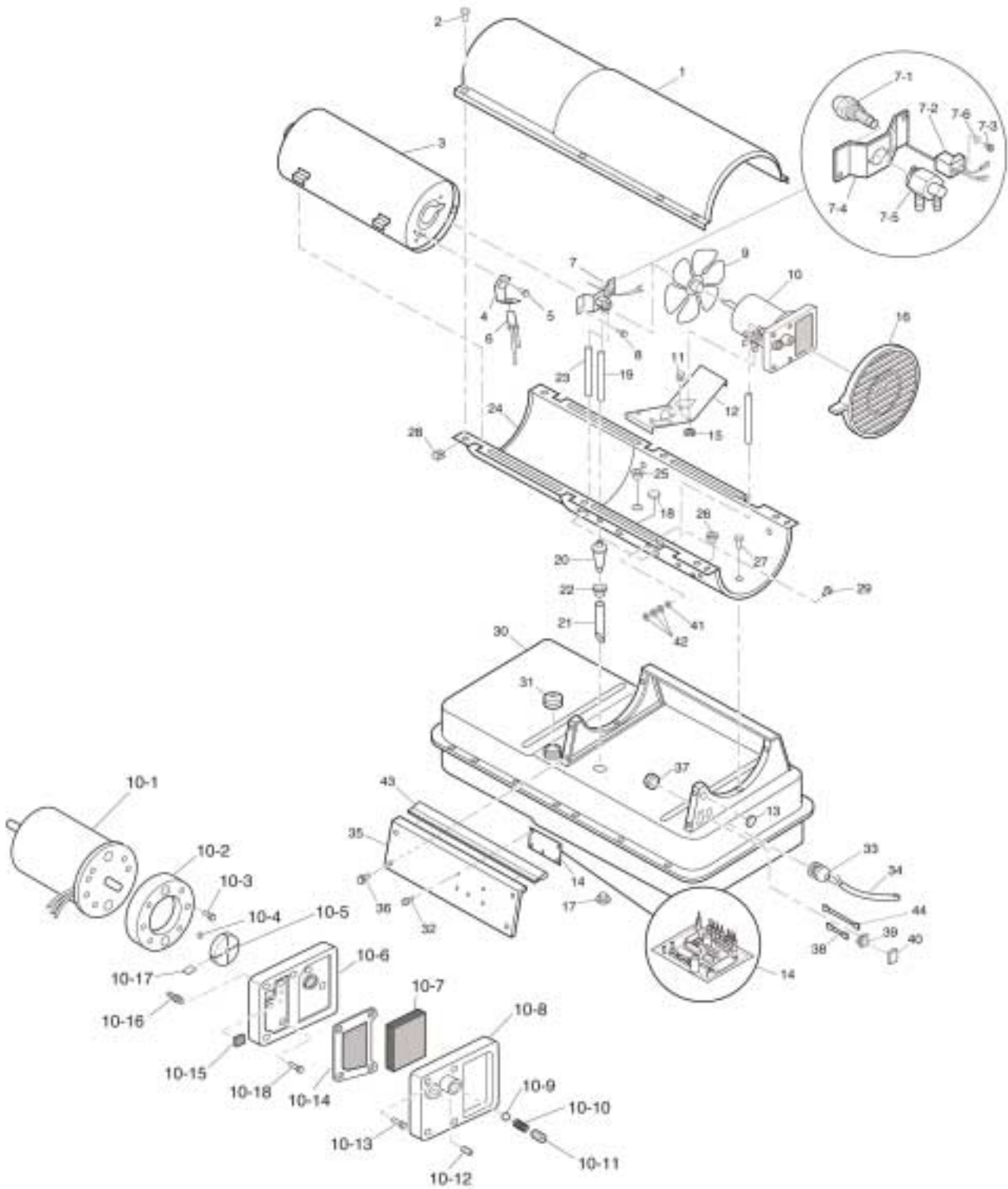
N/A = Parts Not Available

*This list contains replaceable parts used in your heater. When ordering parts, be sure to provide the correct model and serial numbers (from the model plate), then the part number and description of the desired part.*

# Spareparts MASTER HEATERS

MODEL 150 CEL 150,000 Btu/Hr Model

ILLUSTRATED PARTS BREAKDOWN



Motor and Pump Assembly

## Spareparts MASTER HEATERS

MODEL 150 CEL 150,000 Btu/Hr Model

## PARTS LIST

Key No.	Part Number	Description	Qty.	Key No.	Part Number	Description	Qty.
1	4104.006	Upper Shell	1	17	4100.632	Drain Plug	
2	4109.590	Screw/Lockwasher, 1/2"	8			(Includes "o" Ring)	1
3	4100.641	Combustion Chamber	1	18	4110.070	Button Plug	1
4	4100.659	Photocell Bracket	1	19	4110.032	Fuel Line	1
5	4103.529	Screw	2	20	4100.630	Fuel Filter	1
6	4103.590	Photocell Assembly	1	21	4110.147	Fuel Line Tube	1
7	**	Burner Strap Assembly	1	22	4100.541	Rubber Bushing	1
7-1	4100.646	Nozzle Assembly	1	23	4104.156	Airline	1
7-2	4110.132	Ignitor Kit	1	24	4100.637	Lower Shell	1
7-3	4100.669	Screw, #6-32 x 7/8"	1	25	4101.112	Bushing	1
7-4	4100.653	Nozzle Adapter Bracket	1	26	4101.232	Bushing	1
7-5	4100.663	Nozzle Adapter	1	27	4110.124	Screw/Lockwasher, 1/2"	6
7-6	4100.660	Belleville Washer	1	28	4104.170	Clip Nut	8
8	4110.124	Screw/Lockwasher, 1/2"	2	29	4110.133	Screw,	1
9	4105.062	Fan	1	30	4110.149	Fuel Tank	1
10	**	Motor and Pump Assembly	1	31	4103.891	Fuel Cap	
10-1	4100.652	Motor	1			(Includes Gasket)	1
10-2	4101.532	Pump Body	1	32	4100.654	P.C. Board Support	5
10-3	4108.590	Screw, #10-32 x 3/4"	2	33	4150.528	Strain Relief Bushing	1
10-4	4108.635	Rotor Insert	1	34	S/R	Power Cord	1
10-5	4103.441	Pump Rotor	1	35	4100.670	Side Cover	1
10-6	4101.325	Pump End Cover	1	36	4110.124	Screw/Lockwasher, 1/2"	4
10-7	4101.358	Intake Filter	1	37	4100.656	Nylon Locknut	1
10-8	4108.643	Filter End Cover	1	38	S/R	Wire Assembly (Brown)	1
10-9	4108.379	Steel Ball, 1/4" Diameter	1	39	4100.667	ON/OFF Switch	1
10-10	4102.141	Relief Spring	1	40	4104.336	Switch Cover	1
10-11	4102.133	Adjusting Screw	1	41	4100.527	Lockwasher, #10	1
10-12	4102.125	Plug	1	42	4110.134	Nut	3
10-13	4108.528	Screw, #10-32 x 1"	4	43	4103.850	Edge Liner	1
10-14	4101.341	Output Filter	1	44	S/R	Wire Assembly (White)	1
10-15	4101.333	Lint Filter	1				
10-16	4104.118	Barb Fitting	1				
10-17	4101.666	Blade	4				
10-18	4108.536	Screw, #10-32 x 1 1/8"	6				
11	4150.553	Rubber Bumper	2		4105.292	Filler Neck Screen	1
12	4110.186	Motor Mounting Bracket	1		4110.049	Wire Tie	1
13	4100.649	Button Plug	1		4110.138	Tradename Decal	2
14	4110.142	Ignition Control Assembly	1		S/R	Decal Package	1
15	4108.486	Hex Lock Nut, 1/4-20	2		4110.137	Ignition Control	
16	4103.659	Fan Guard	1			Assembly Fuse	1

S/R = Parts Available by Special Request Only

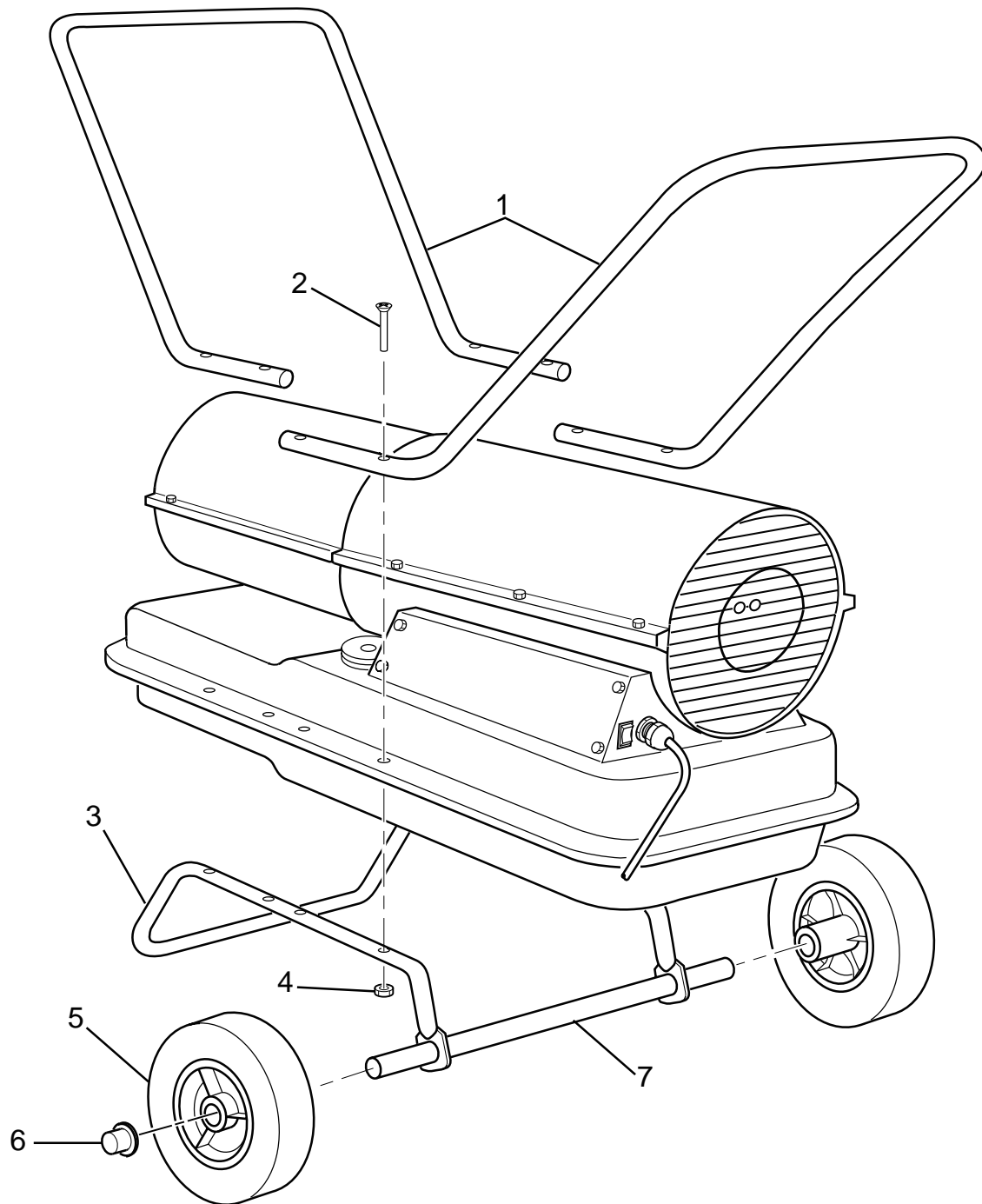
N/A = Parts Not Available

*This list contains replaceable parts used in your heater. When ordering parts, be sure to provide the correct model and serial numbers (from the model plate), then the part number and description of the desired part.*

# Spareparts MASTER HEATERS - WHEELS AND HANDLES

MODELS 100/150 CEL and 100/150 CED

ILLUSTRATED PARTS BREAKDOWN



## Spareparts MASTER HEATERS - WHEELS AND HANDLES

MODELS 100/150 CEL and 100/150 CED

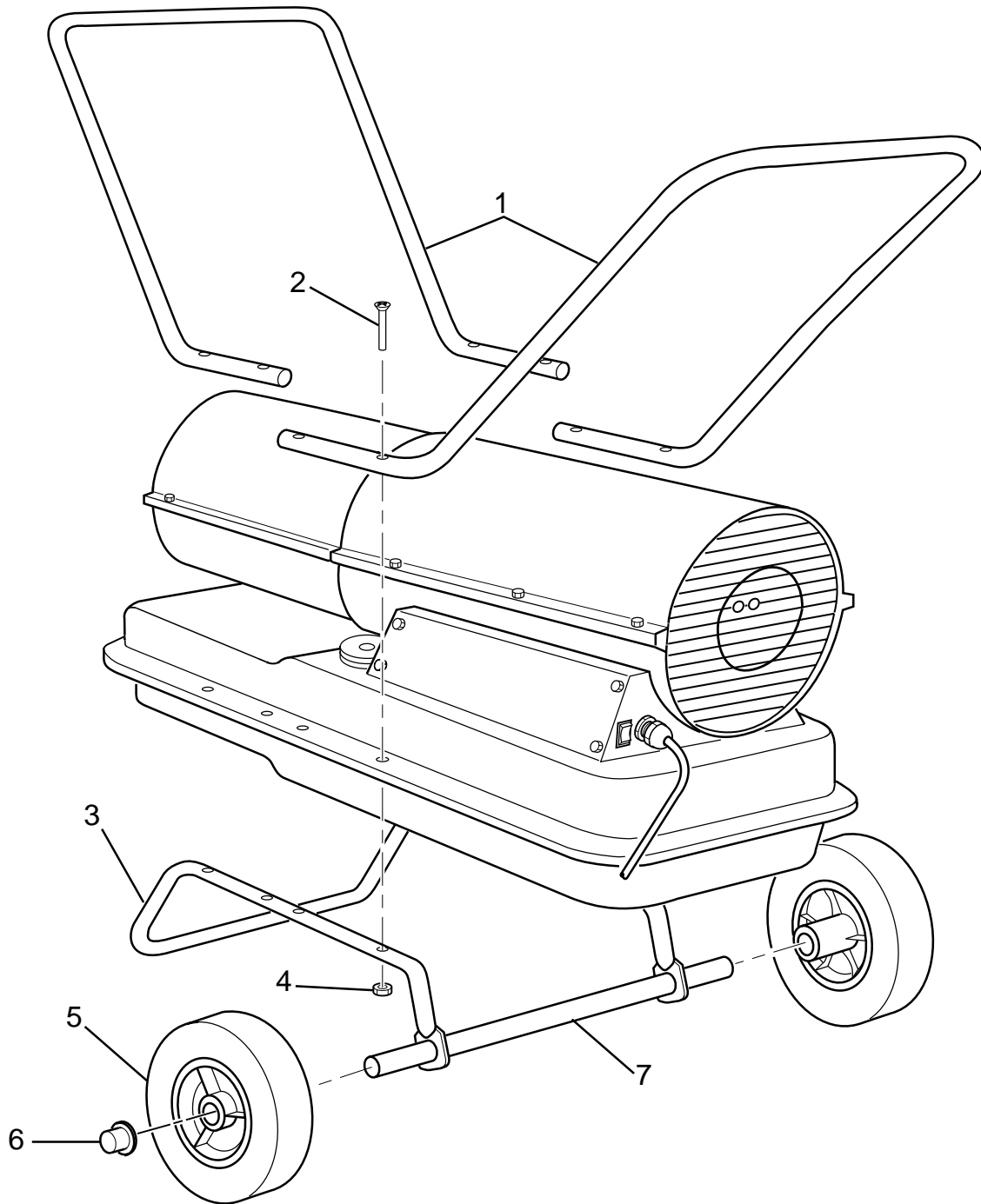
PARTS LIST

<i>Key No.</i>	<i>Part Number</i>	<i>Description</i>	<i>Qty.</i>
1	4110.077	Handles	2
2	4110.144	Screw	8
3	4110.078	Wheel Support Frame	1
4	4110.143	Hex Nut,	8
5	4110.084	Wheel (2)	1
6	4110.085	Cap Nut	2
7	4110.109	Axle	1

Spareparts MASTER HEATERS - WHEELS AND HANDLES

MODELS 100 CEH and 150 CEH

ILLUSTRATED PARTS BREAKDOWN

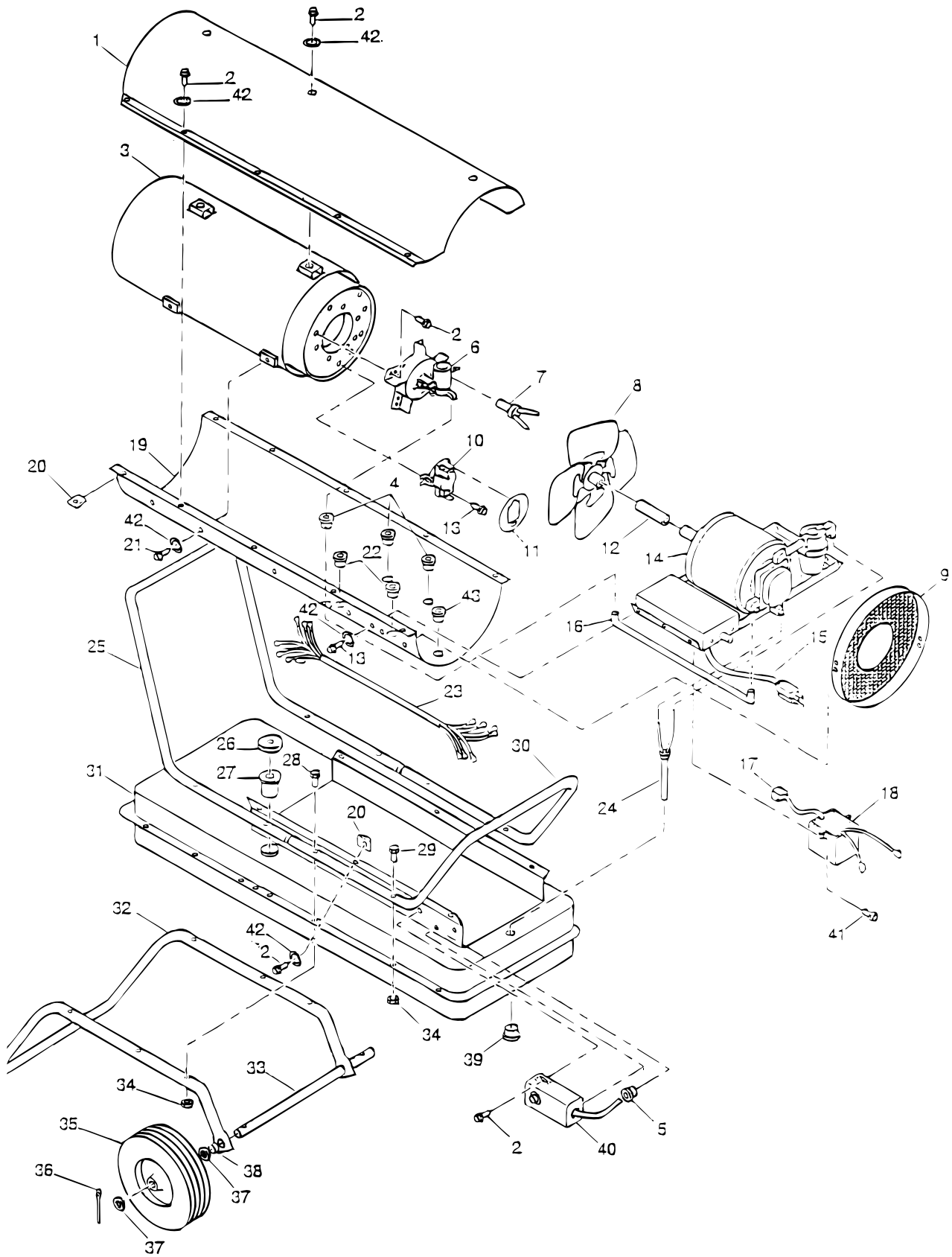


**Spareparts MASTER HEATERS - WHEELS AND HANDLES**

**MODELS 100 CEH and 150 CEH**

**PARTS LIST**

<i><b>Key No.</b></i>	<i><b>Part Number</b></i>	<i><b>Description</b></i>	<i><b>B100 CEH Qty.</b></i>	<i><b>B150 CEH Qty.</b></i>
1	4109.864	Handles	2	-
	4109.872	Handles	-	2
2	4108.619	Screw, #10-24 x 1 3/4"	8	8
3	4109.906	Wheel Support Frame	1	-
	4109.914	Wheel Support Frame	-	1
4	4108.494	Hex Nut, #10-24	8	8
5	4103.289	Wheel (2)	1	1
6	4108.429	Cap Nut	2	2
7	4103.222	Axle	1	-
	4105.284	Axle	-	1



Motor and Pump Assembly

## Spareparts MASTER HEATERS

### MODEL 350 CEA

### PARTS LIST

Key No.	Part Number	Description	Qty.	Key No.	Part Number	Description	Qty.
1	4110.089	Upper shell	1	39	4100.632	Drain plug	1
2	4101.132	Screw, #10-16 x 1/2"	25	40	4103.882	Thermostat	1
3	4104.040	Combustion chamber & shield	1	41	4108.510	Srew, #10-16 x 3/4"	2
4	4101.151	Bushing	3	42	4100.527	Lockwasher, #10	29
5	4103.224	Grommet	1	43	4101.112	Bushing	1
6	*	Burner head assembly	1				
7	4103.448	Photocell assembly	1				
8	4103.462	Fan	1				
9	4103.880	Fan guard	1				
10	4100.582	Fan switch	1				
11	4101.246	Fan switch cover	1				
12	S/R	Sleeve	1				
13	4101.133	Screw, #10-16 x 3/8"	13				
14	*	Motor and pump assembly	1				
15	S/R	Power cord	1				
16	4105.238	Fuel line	1				
17	4108.574	Ignition boot	1				
18	4106.090	Electronic ignitor	1				
19	S/R	Lower shell	1				
20	4104.170	Clip nut	14				
21	S/R	Screw, #12-14 x 1/2"	4				
22	4101.152	Bushing	2				
23	4106.584	Wire harness	1				
24	4106.181	Fuel line assembly	1				
25	4108.956	Front handle	1				
26	4103.891	Fuel cap	1				
27	4105.292	Filler neck screen	1				
28	S/R	Screw, 1/4-20 x 2 1/4"	6				
29	4108.569	Screw, 1/4-20 x 1 1/2"	2				
30	4109.885	Rear handle	1				
31	4101.143	Fuel tank	1				
32	S/R	Wheel support frame	1				
33	4108.759	Axle	1				
34	4108.486	Hex lock nut, 1/4-20	8				
35	4103.271	Wheel	2				
36	S/R	Cotter pin, 5/32 x 1 1/4"	2				
37	S/R	Flatwasher, 5/8"	4				
38	4105.240	Wheel spacer	2				
39	4100.632	Drain plug	1				

S/R = Parts Available by Special Request Only

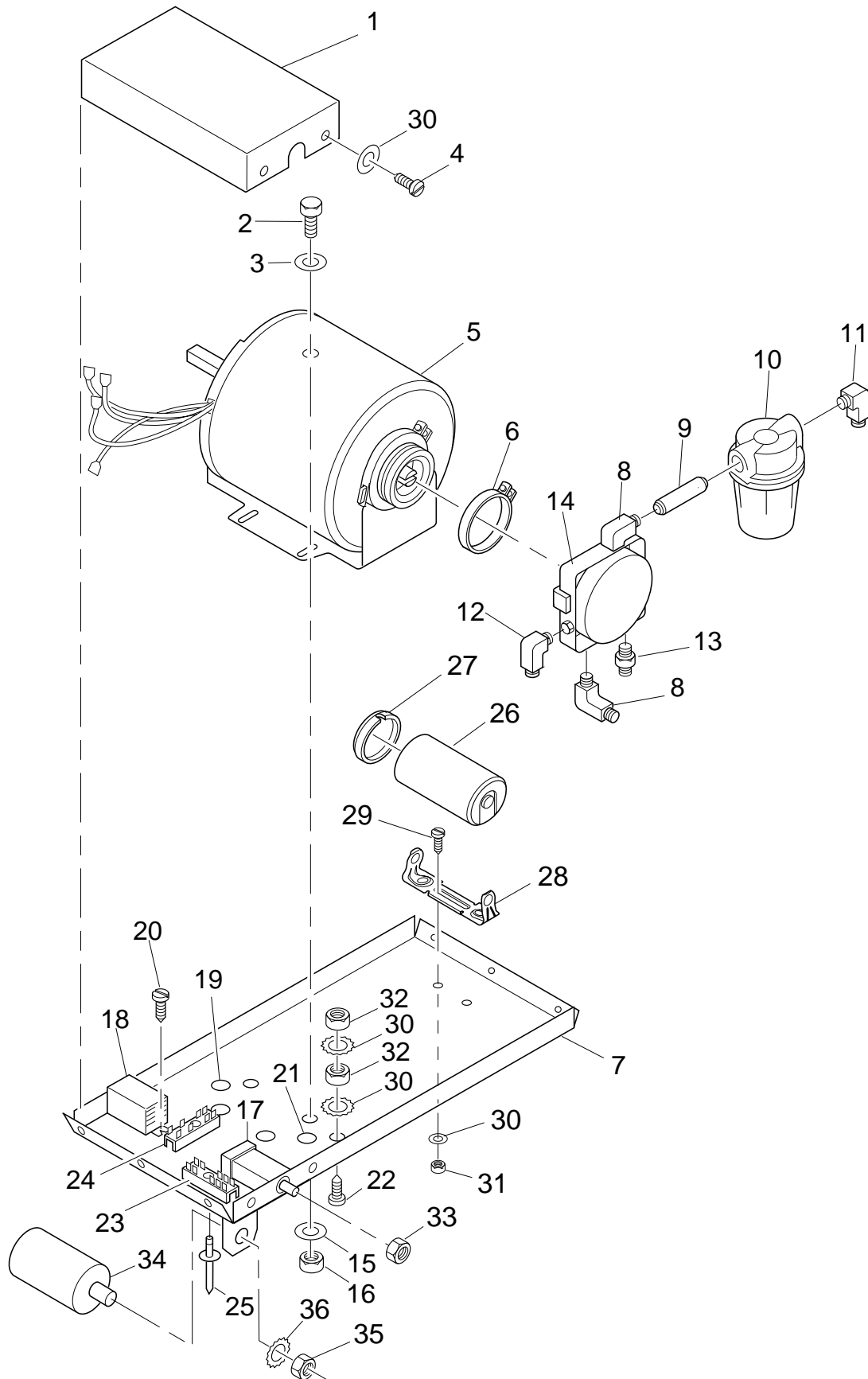
N/A = Parts Not Available

*This list contains replaceable parts used in your heater. When ordering parts, be sure to provide the correct model and serial numbers (from the model plate), then the part number and description of the desired part.*

# Spareparts MASTER HEATERS - MOTOR AND PUMP ASSEMBLY

MODEL 350 CEA

ILLUSTRATED PARTS BREAKDOWN



## Spareparts MASTER HEATERS - MOTOR AND PUMP ASSEMBLY

MODEL 350 CEA

PARTS LIST

<b>Key No.</b>	<b>Part Number</b>	<b>Description</b>	<b>Qty.</b>
1	S/R	Wiring cover	1
2	S/R	Screw, 5/16-24 x 5/16"	4
3	S/R	Lockwasher, 5/16"	4
4	4110.133	Screw, #10-16 x 3/8"	3
5	4104.678	Motor	1
6	S/R	Flange clamp (holds pump to motor)	1
7	S/R	Motor support	1
8	4106.335	Street elbow	2
9	4105.840	Pipe nipple	1
10	4105.829	Fuel filter assembly	1
	4105.088	Filter element (inside fuel filter assembly, includes rubber gaskets)	1
11	4105.239	90° Male elbow	1
12	4106.333	Compression elbow	1
13	4105.842	Straight fitting	1
14	4103.610	Fuel pump	1
15	S/R	Lockwasher, 5/16"	4
16	S/R	Hex nut, 5/16-24"	4
17	4104.196	Flame-out control	1
18	4104.567	Power relay	1
19	4101.152	Shorty bushing	3
20	4103.511	Screw, #6-32 x 1/4"	2
21	4150.528	Strain relief bushing	1
22	4109.580	Screw, #10-32 x 1/2"	1
23	S/R	Terminal board	1
24	S/R	Terminal board	1
25	N/A	Rivet	2
26	4101.242	Capacitor	1
27	4101.243	Capacitor cap	1
28	S/R	Capacitor bracket	1
29	4105.235	Screw, #10-32 x 1/2"	2
30	4100.527	Lockwasher, #10	7
31	4100.673	Nut, #10-32	2
32	4100.673	Nut, #10-32	2
33	4109.592	Hex nut	1
34	4105.288	Power Line Filter	1
35	N/A	Nut, 8 mm	1
36	S/R	Lockwasher, 5/16"	1

S/R = Parts Available by Special Request Only

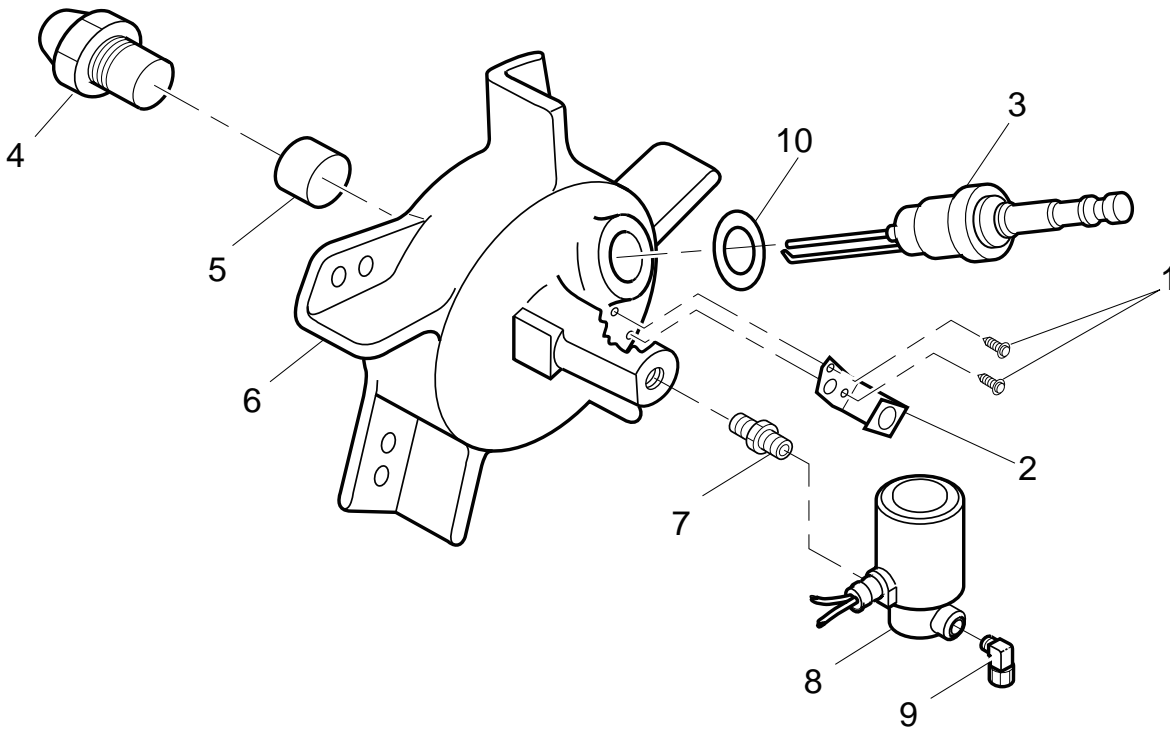
N/A = Parts Not Available

*This list contains replaceable parts used in your heater. When ordering parts, be sure to provide the correct model and serial numbers (from the model plate), then the part number and description of the desired part.*

Spareparts MASTER HEATERS - BURNER HEAD ASSEMBLY

MODEL 350 CEA

ILLUSTRATED PARTS BREAKDOWN



MODEL 350 CEA

PARTS LIST

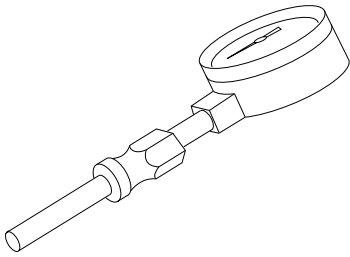
Key No.	Part Number	Description	Qty.
1	4103.529	Screw, #6-32 x 3/8"	2
2	4101.214	Photocell bracket	1
3	4101.846	Spark plug	1
4	4104.162	Nozzle	1
5	S/R	Plug	1
6	4109.350	Burner head body	1
7	4106.334	Straight nipple	1
8	4102.535	Solenoid valve	1
9	4106.333	Compression elbow	1
10	4105.841	Spark plug gasket	1

## Spareparts MASTER HEATERS

---

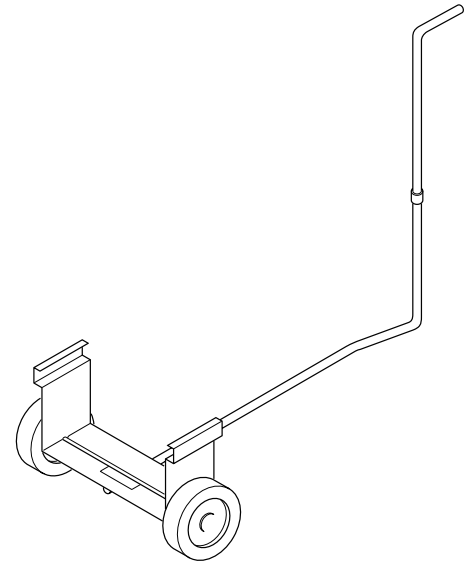
### ACCESSORIES

---



#### **AIR GAUGE KIT - 4109.427**

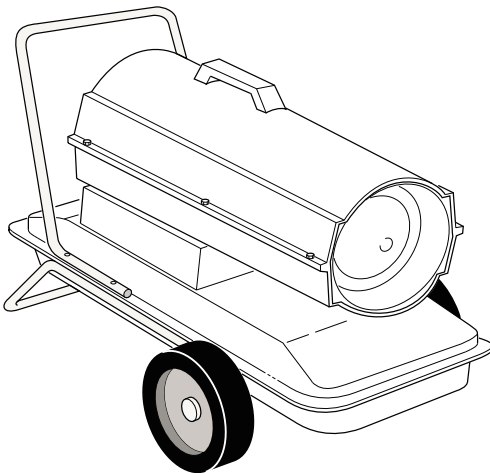
For all models. Special tool to check pump pressure.



#### **STANDARD WHEELS AND HANDLE KIT - 4103.930**

Makes heater even more portable and convenient.

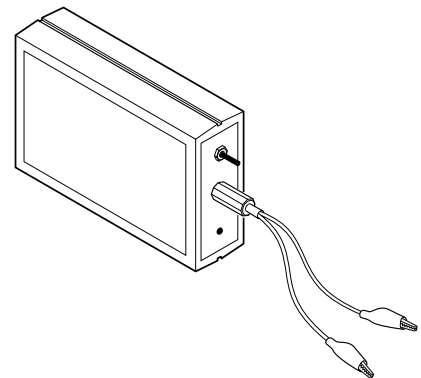
Easy to assemble. For all 35 and 70 models.



#### **HEAVY DUTY WHEELS AND HANDLE KIT - 4103.925**

For heavy duty applications. Makes your heater even more portable and convenient.

For all 35 and 70 models.



#### **IGNITION CONTROL ASSEMBLY/PHOTOCELL TESTER - 4106.058**

Special tool used to test the ignition control assembly and photocell, for all model CEH/CEL.



# DIRECT FIRED FORCED AIR HEATERS

## *Illustrated Parts Lists*



**Heater Sizes: 220,000 and 354,000 Btu/Hr**

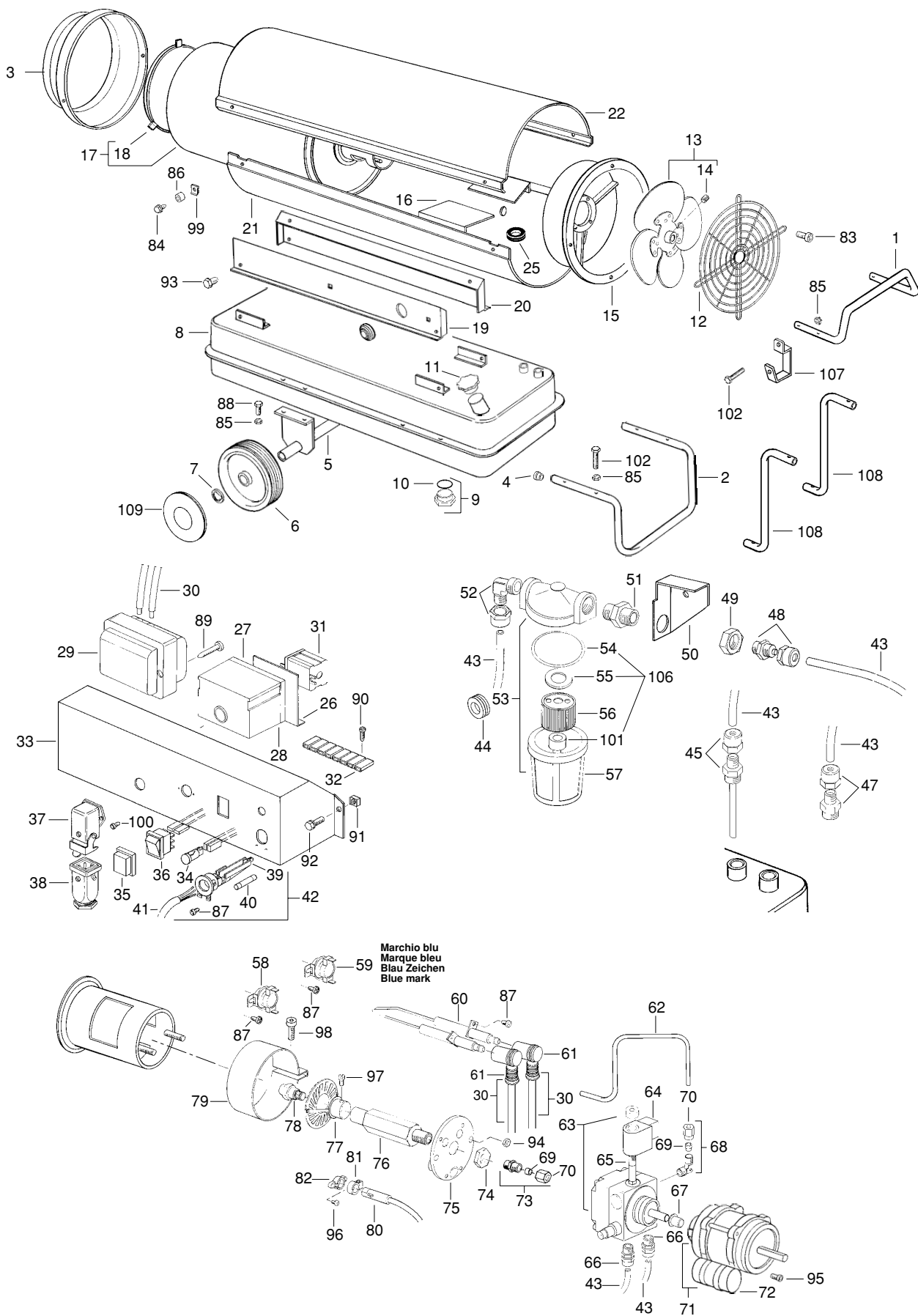
**Models**

**220CEA, 354CEA**

# Spareparts MASTER HEATERS

## MODELS 220 CEA and 354 CEA

## ILLUSTRATED PARTS BREAKDOWN



## Spareparts MASTER HEATERS

### MODELS 220 CEA and 354 CEA

### PARTS LIST

Key No.	Description	Part Number		Key No.	Description	Part Number	
		220 CEA	354 CEA			220 CEA	354 CEA
	<b>MAIN BODY</b>				<b>MAIN BODY</b>		
1	FRAME HANDLE	S/R	S/R	109.1	YELLOW PLUG WHEEL		
2	FRAME BEARING	S/R	S/R		DIAM. 200mm	S/R	-
3	OUTLET CONE	4031.278	S/R	109.2	YELLOW PLUG WHEEL		
4	PLUG	S/R	S/R		DIAM. 250MM	-	S/R
5	AXLE	S/R	S/R				
6	WHEEL 200 MM	4031.133	-		<b>CONTROL BOARD</b>		
6.1	WHEEL 250 MM	-	4031.134	26	CONTROL BOX SUPPORT	S/R	S/R
7	WHEEL HOLDER 20 mm	4031.175	-	27	CONTROL BOX BASE		
7.1	WHEEL HOLDER 25 mm	-	4031.177		LANDIS & GYR	4031.010	4031.010
8	FUEL TANK	4031.004	-	28	CONTROL BOX LANDIS		
8.1	FUEL TANK	-	4031.006		& GYR	4031.005	4031.005
9	DRAIN PLUG	4031.013	4031.013	29	TRANSFORMER H.T. 220 V	4031.035	4031.035
10	DRAIN PLUG OR	S/R	S/R	30	H.T CABLE	4031.097	4031.097
11	TANK PLUG	4031.145	4031.145	31	RELAY 65.31	4031.040	4031.040
12	REAR INLET GRILL	S/R	-	32	TERMINAL BOARD	S/R	S/R
12.1	REAR INLET GRILL	-	4031.137	33	ELECTR. COMP. DRAWER	S/R	S/R
13	FAN 300MM 27 DGR	4031.271	-	34	PILOT LAMP	4031.169	4031.169
13.1	FAN 500MM 33 DGR	-	4031.272	35	SWITCH COVER	S/R	S/R
14	GRUB SCREW	S/R	S/R	36	SWITCH MAN - AUT.	4031.170	4031.170
15	MOTOR SUPPORT	4031.138	4031.139	37	SOCKET 4 PIN 90 DGR.	4031.088	4031.088
16	AIR FLAB	S/R	S/R	38	PLUG 4 PIN CONNECTED (2&3)	4031.089	4031.089
17	COMBUSTION CHAMBER	S/R	-	39	CABLE FASTENER	S/R	S/R
17.1	COMBUSTION CHAMBER	-	S/R	40	FUSE 6 A (6 X 30)	4031.080	-
18	FLAME GUARD SHIELD	S/R	S/R	40.1	FUSE 10 A ( 6 X 30)	-	4031.085
19	BASE SX	S/R	4031.363	41	EL. WIRE WITH PLUG	S/R	S/R
20	BASE DX	S/R	4031.364	42	EL. WIRE WITH PLUG &		
21	LOWER BODY	S/R	S/R		CABLE FASTENER	S/R	S/R
22	UPPER BODY	S/R	S/R	89	SCREW TC 8 X 1" 1/2"	S/R	S/R
25	CABLE PROTECTION	S/R	S/R	90	SCREW TC 4 X 1/2"	S/R	S/R
83	SCREW TC M5x16	S/R	S/R	91	NUT CLAMP M6	4031.215	4031.215
84	SCREW TE 10x1/2" FR	S/R	S/R	92	SCREW TE M6 X 16	S/R	S/R
85	NUT M6	S/R	S/R	100	SCREW TC 4X 3/8"	S/R	S/R
86	SLEEVE	S/R	S/R				
88	SCREW TE M6x16	S/R	S/R				
93	SCREW TE 14x1/2" FR	S/R	S/R				
99	ELASTIC PLATE	S/R	S/R				
102	SCREW TE M6x30	S/R	S/R				
107	POWER CORD HOOK	S/R	S/R				
108	SUPPORT BAR B354	S/R	S/R				

S/R = Parts Available by Special Request Only

N/A = Parts Not Available

*This list contains replaceable parts used in your heater. When ordering parts, be sure to provide the correct model and serial numbers (from the model plate), then the part number and description of the desired part.*

**Spareparts MASTER HEATERS**

<b>MODELS 220 CEA and 354 CEA</b>				<b>PARTS LIST</b>			
<b>Key No.</b>	<b>Description</b>	<b>Part Number</b>		<b>Key No.</b>	<b>Description</b>	<b>Part Number</b>	
		<b>220 CEA</b>	<b>354 CEA</b>			<b>220 CEA</b>	<b>354 CEA</b>
	<b>FILTER CONNECTION</b>				<b>MOTOR &amp; BURNER PARTS</b>		
43	FLEX FUEL PIPE DIAM 6mm	4031.140	4031.140	71	MOTOR 200 W	4031.131	-
44	CABLE PROTECTION	S/R	S/R	71.1	MOTOR 750 W	-	4031.125
45	FUEL PICK UP TUBE	4031.148	4031.148	72	CAPACITOR 6.3 UF	4031.165	-
47	CONNECTION STRAIGHT 1/4"MX6	4031.160	4031.160	72.1	CAPACITOR 16 UF	-	4031.166
48	CONNECTION STRAIGHT 1/8" MX6	S/R	S/R	73	CONNECTION STRAIGHT 1/8" MX6	S/R	S/R
49	NUT 3/8" X 5	4031.800	4031.800	74	NUT M14	S/R	S/R
50	FILTER SUPPORT	4031.011	4031.011	75	BURNER FLANGE	S/R	S/R
51	DOUBLE SCREW	4031.802	4031.802	76	NOZZLE SUPPORT	4031.012	4031.012
52	CONNECTION 90 DGR 3/8" MX6	4031.803		77	DIFFUSOR	4031.066	4031.066
52.1	CONNECTION STRAIGHT 3/8" MX6		4031.804	78	NOZZLE 1.25 GPH 80 DGR	4031.027	-
53	FILTER COMPLETE 3/8"	4031.070	4031.070	78.1	NOZZLE 2.00 GPH 80 DGR	-	4031.031
54	FILTER O RING	4031.150	4031.150	79	AIR REGULATION FLAP	S/R	-
55	TOP SEAL OIL FILTER	4031.075	4031.075	79.1	AIR REGULATION FLAP	-	4031.007
56	FILTER ELEMENT	4031.015	4031.015	80	PHOTO CELL	4031.090	4031.090
57	FILTER HOUSING	4031.180	4031.180	81	PHOTOCELL CLAMP	4031.009	4031.009
101	LOWER OIL FILTER SEAL	4031.191	4031.191	82	PHOTOCELL FLANGE	4031.008	4031.008
	<b>MOTOR &amp; BURNER PARTS</b>			87	SCREW TC 8X3/8"	S/R	S/R
30	H.T CABLE	4031.097	4031.097	94	NUT M5	S/R	S/R
58	COOL OFF THERMOSTAT (FAN)	4031.047	4031.047	95	SCREW	S/R	S/R
59	OVERHEAT THERMOSTAT	4031.045	4031.045	96	SCREW TC 6X1/2"	S/R	S/R
60	ELECTRODE	4031.095	4031.095	97	SCREW TC M4X8	S/R	S/R
61	CABLE CONNECTION 90 DGR	S/R	S/R	98	SCREW TCEI M6X25	S/R	S/R
62	OIL SUPPLY PIPE (DIAM 4 MM)	4031.106	4031.106				
63	DANFOSS PUMP	4031.197	4031.197				
64	SPOOL DANFOSS	4031.019	4031.019				
65	VALVE DANFOSS	4031.195	4031.195				
66	CONNECTION STRAIGH 1/4"MX6	S/R	S/R				
67	COUPLING K1	4031.060	-				
68	CONNECTION 90 DGR 1/8" MX4	4031.096	4031.096				
69	BICONE 4 MM	4031.115	4031.115				
70	NUT FOR BICONE	4031.110	4031.110				

S/R = Parts Available by Special Request Only

N/A = Parts Not Available

*This list contains replaceable parts used in your heater. When ordering parts, be sure to provide the correct model and serial numbers (from the model plate), then the part number and description of the desired part.*

# DEHUMIDIFIERS

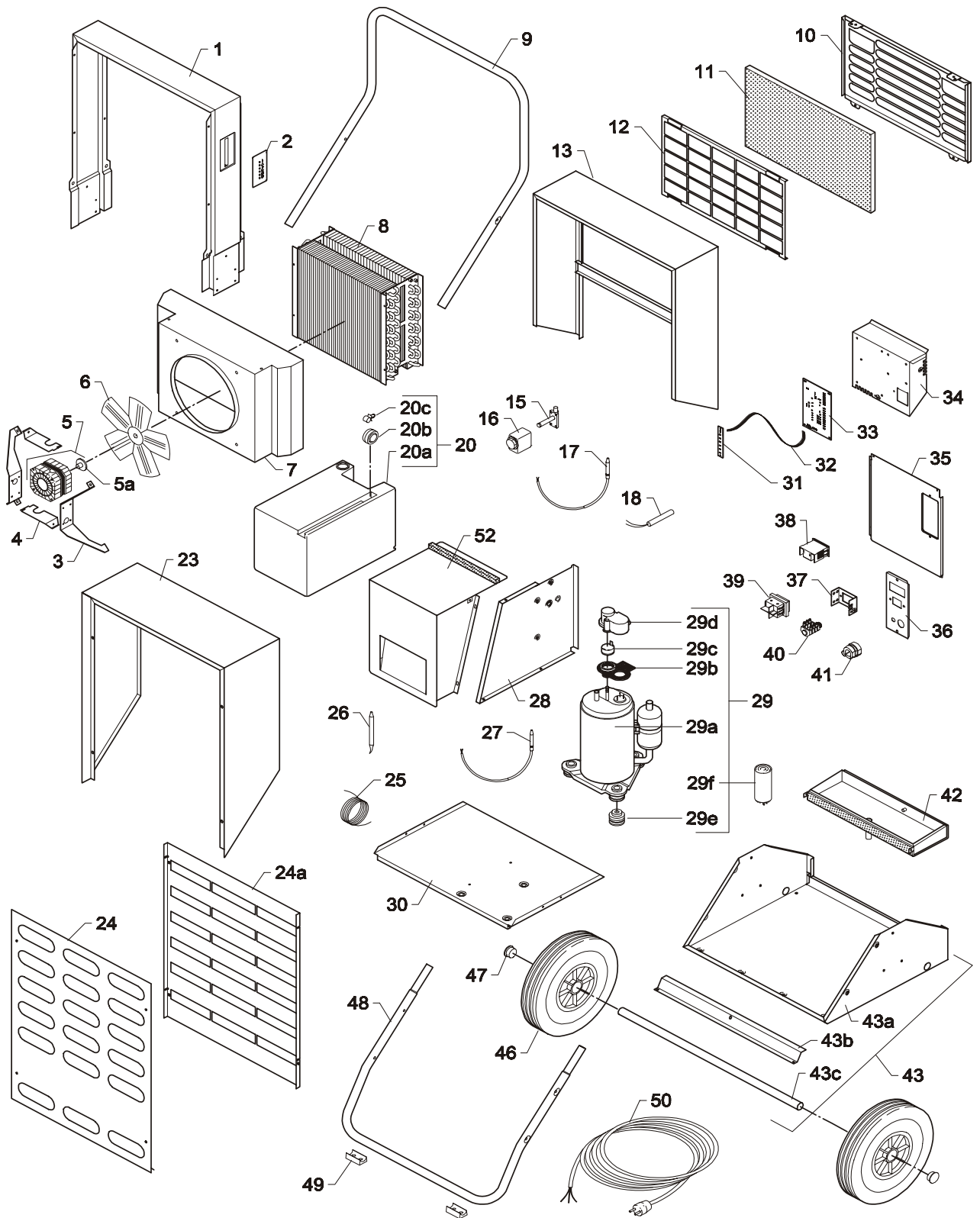


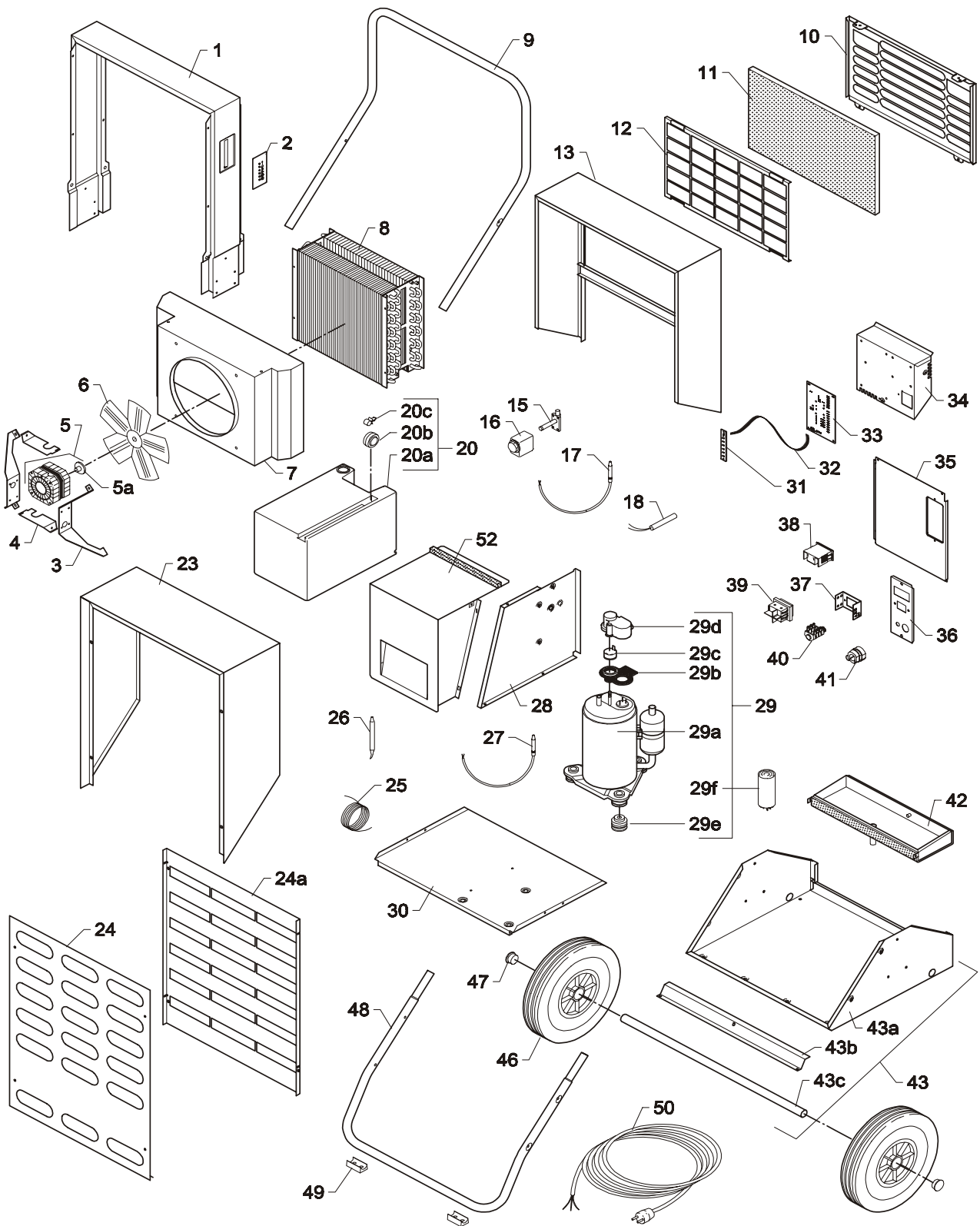


# Spareparts DEHUMIDIFIERS

## MODEL DH3818

## ILLUSTRATED PARTS BREAKDOWN





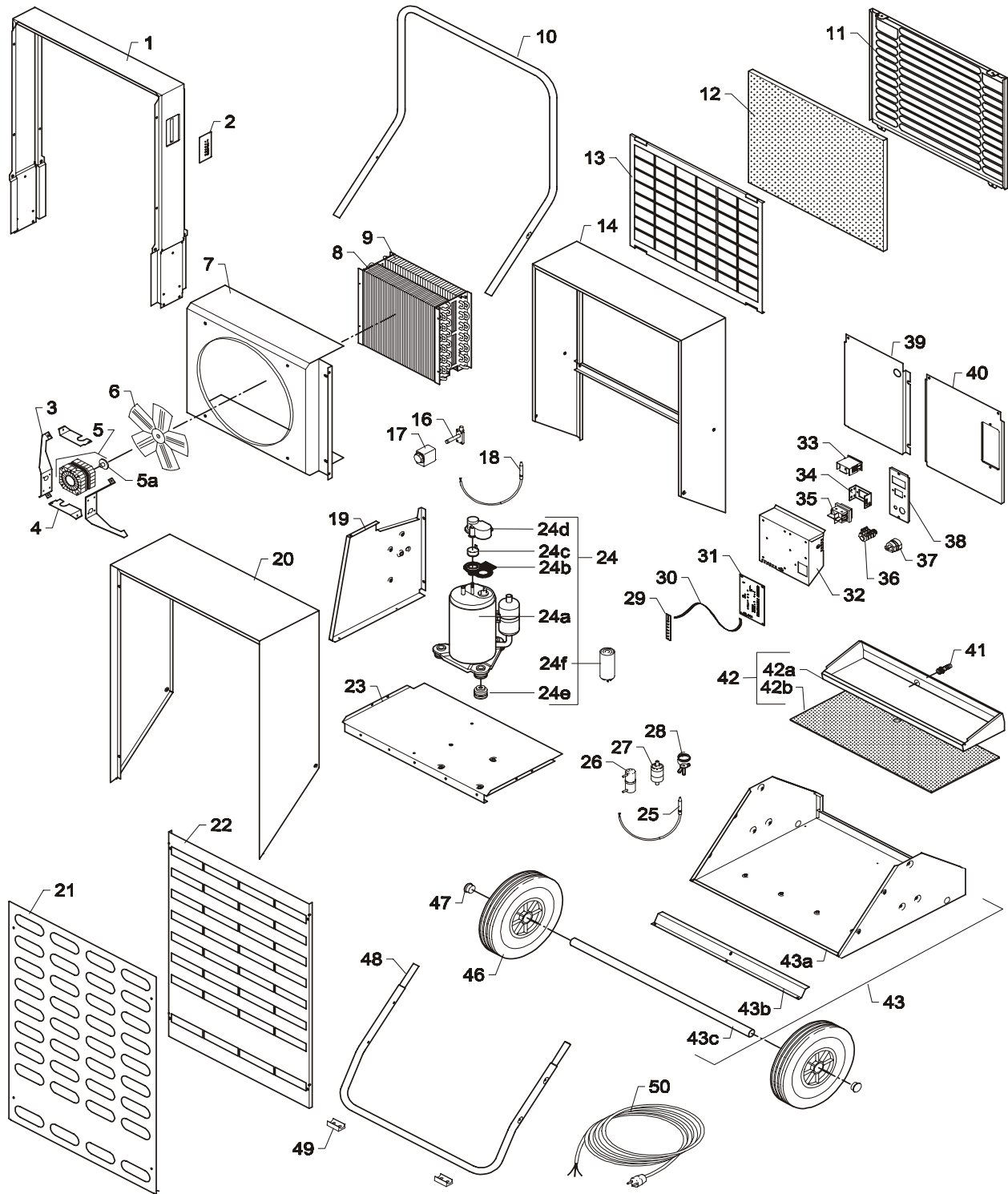
## Spareparts DEHUMIDIFIERS

### MODEL DH3818 - DH 5128

### PARTS LIST

Position	Description	DH 3818 Master NR	DH 5128 Master NR
1	Frame for cooling plant	S/R	S/R
2	Label f. operating signals	4140.402	4140.402
3	Fan bracket	S/R	S/R
4	Support for fan bracket	S/R	S/R
5	Fan motor 11 W 230 V	4140.409	-
5a	Fan motor 11 W 230 V	-	4140.406
6	Fan blade	4140.411	4140.412
7	Fan housing	S/R	S/R
8	Condensor and evaporator coil	S/R	S/R
9	Handle, upper part	S/R	S/R
10	Filter frame	S/R	S/R
11	Filter	4140.414	4140.415
12	Grille for filter frame	S/R	S/R
13	Rear jacket with profiled bracket		S/R S/R
15	Solenoid valve	S/R	S/R
16	Coil for solenoid valve	S/R	S/R
17	Evaporator sensor, BLUE	4140.417	4140.417
18	Water stop sensor	4140.419	4140.419
19	Brush	S/R	S/R
20	Water container complete	4140.420	4140.420
23	Front jacket	4140.404	S/R
24	Front output grill	S/R	S/R
24a	Blind for front output grille	S/R	S/R
25	Capillary tube	S/R	S/R
26	Liquid line drier	S/R	S/R
27	Condensor sensor, RED	4140.421	4140.421
28	Partition wall	S/R	S/R
29	Compressor complete	S/R	S/R
30	Compressor bracket	S/R	S/R
31	LEDs for operating signals	S/R	S/R
32	Flat cable for LEDs	S/R	S/R
33	PC board control	4140.403	4140.403
34	PCB screen	S/R	S/R
35	Back plate	S/R	S/R
36	Control panel	S/R	S/R
37	Bracket for main switch	S/R	S/R
38	Running hour meter BAUSER type	4140.407	4140.407
39	On/Off switch, 2-poled, green	4140.422	4140.422
40	Jack socket	S/R	S/R
41	Cable relief	S/R	S/R
42	Drip tray complete	4140.423	4140.423
42B	Unloading sleeve	4140.400	4140.400
42C	Distance bush	4140.401	4140.401
43	Bottom plate, complete	S/R	S/R
46	Wheel	4140.425	4140.425
47	Lock washer	S/R	S/R
48	Handle, lower part	S/R	S/R
49	Shoes	S/R	S/R
50	Electric cable	S/R	S/R

S/R = Parts Available by Special Request Only



## Spareparts DEHUMIDIFIERS

MODEL DH 7937

PARTS LIST

Position	Description	DH 7937 Master NR
1	Frame for cooling plant	S/R
2	Label for operating signals	S/R
3	Fan bracket	S/R
4	Support for fan bracket	S/R
5	Fan motor 34W	4140.410
6	Fan blade	4140.413
7	Fan housing	S/R
8	Condensor	S/R
9	Evaporator	S/R
10	Handle, upper part	S/R
11	Filter frame	S/R
12	Filter	4140.416
13	Grille for filter frame	S/R
14	Rear jacket with profiled bracket	S/R
16	Solenoid valve EVR 6, 032F1212	S/R
17	Coil solenoid valve	S/R
18	Evaporator sensor, blue, L 115	4140.418
19	Partition wall	S/R
20	Front jacket	S/R
21	Front output grille	S/R
22	Blind for front output grille	S/R
23	Compressor bracket	S/R
24	Compressor 9739 Complete	S/R
25	Condensor sensor all models, RED	4140.421
26	Receiver 77 x 220 mm, 0,88 ltr	S/R
27	Liquid line dryer DN 53S 3/8	S/R
28	Thermostatic valve TUB, 68U2061	S/R
29	LEDs for operating signals	S/R
30	Flat cable for LEDs	S/R
31	PC-Board control all models	4140.403
32	PCB screen	S/R
33	Running hour meter	4140.407
34	Bracket for main switch	S/R
35	On/Off switch, 2-poled, green	4140.422
36	Jack socket	S/R
37	Cable relief	S/R
38	Control panel	S/R
39	Back plate, right hand side	S/R
40	Back plate, left hand side	S/R
41	Plastic hose	S/R
42	Drip tray complete	4140.424
43	Bottom plate, complete	S/R
46	Wheel	4140.425
47	Lock washer	S/R
48	Handle, lower part	S/R
49	Shoes	S/R
50	Electric cable	S/R

S/R = Parts Available by Special Request Only



VAL 6



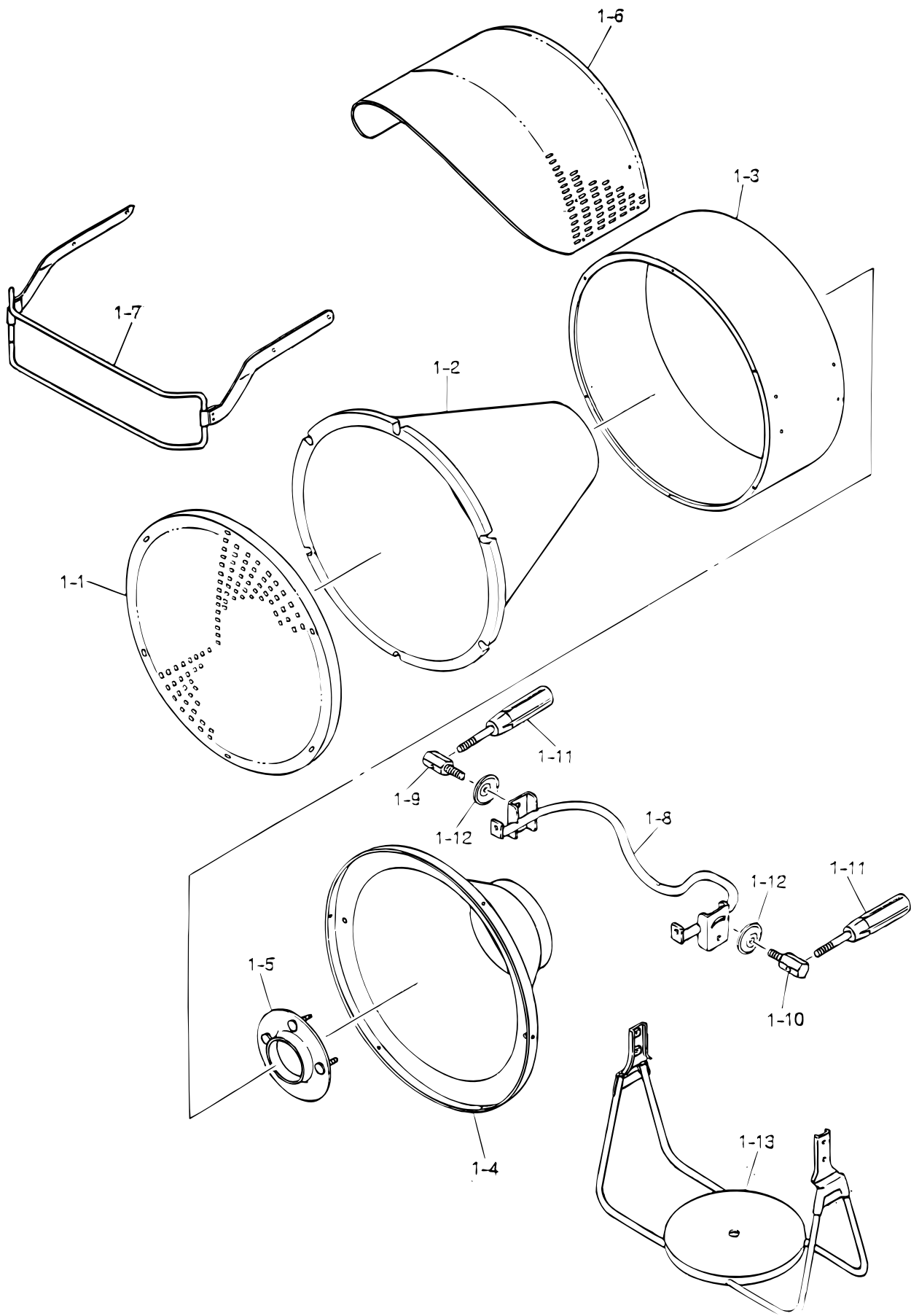


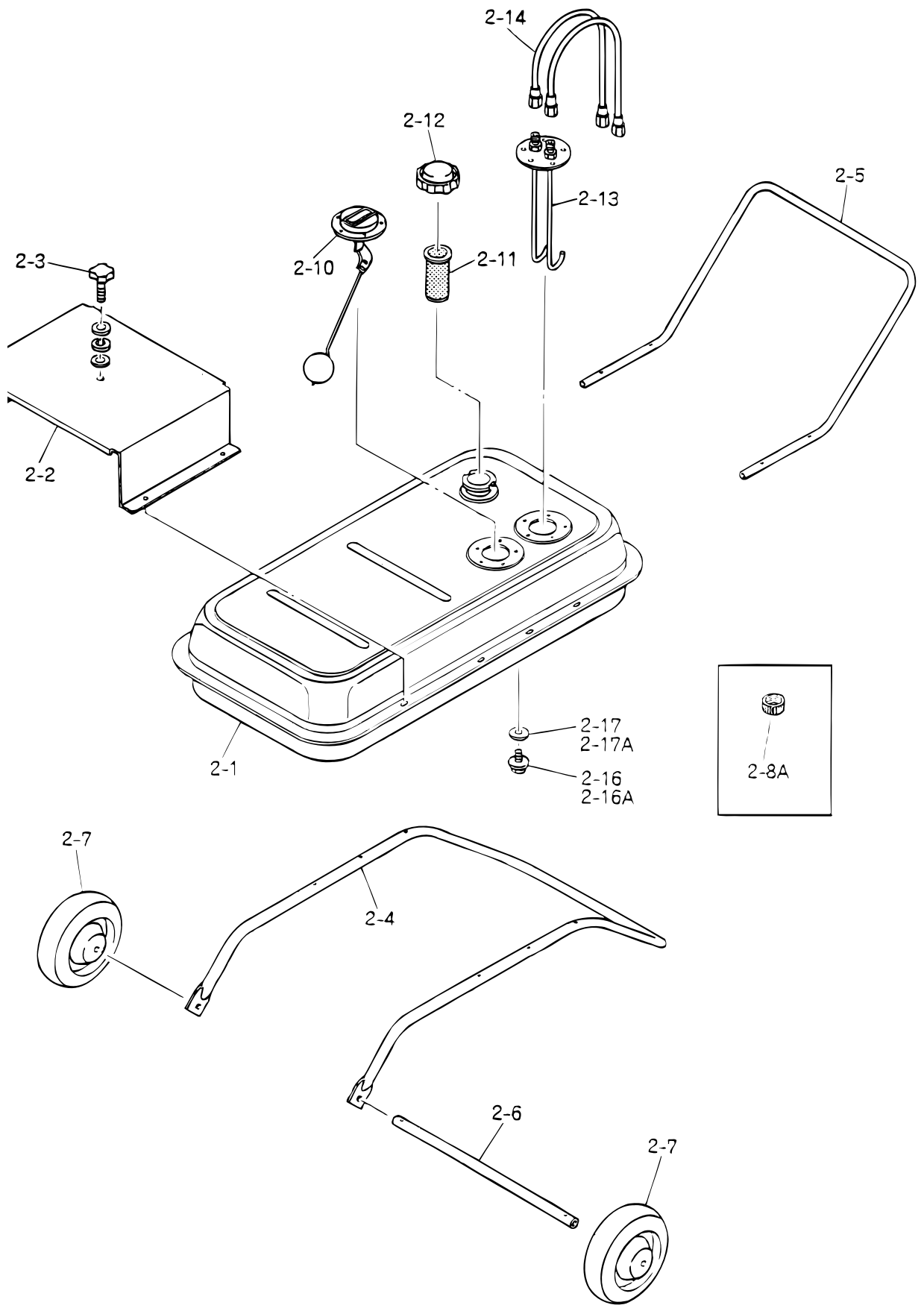
**Spareparts VAL 6 before 2001 (PACKING NO. 1: MAIN UNIT)**

<b>Fabr. NR</b>	<b>Description</b>	<b>Code NR</b>
1	MAIN UNIT=PACKING 1	4116.216
1-1	RADIATION DISK	4115.473
1-2	CONICAL INSULATOR	4115.481
1-3	DRUM	4115.499
1-4	CONICAL HOUSING	4115.507
1-5	BURNER FITTING PIECE	4115.515
1-6	VISOR	4116.224
1-7	GUARD RAIL	4116.232
1-9	CLAMP BOLT (RH)	4115.549
1-10	CLAMP BOLT (LH)	4115.556
1-11	CLAMP LEVER * Screw for guard rail	4115.564 4116.231

**VAL 6 before 2001 (PACKING NO. 2: FUEL TANK)**

<b>Fabr. NR</b>	<b>Description</b>	<b>Code NR</b>
2	FUEL TANK=PACKING 2	4116.158
2-1	FUEL TANK	4115.382
2-2	SWIVEL BASE	4116.167
2-3	SWIVEL BOLT	4116.174
2-4	TANK LEG	4116.182
2-5	GRIP	4116.190
2-7	WHEEL	4115.390
2-8A	DRAIN CAP	4115.407
2-10	FUEL GAUGE KB	4115.424
2-11	TANK INLET FILTER	4115.432
2-12	FILTER CAP	4115.440
2-13	SUCTION PIPE SINGLE	4115.457
2-13A	SUCTION PIPE DOUBLE	4115.458
2-14	FUEL INTAKE LINE FLEX.	4115.465
2-16	DRAIN BOLT TILL 90/91	4115.408
2-16A	DRAIN BOLT FROM 91/92	4115.409



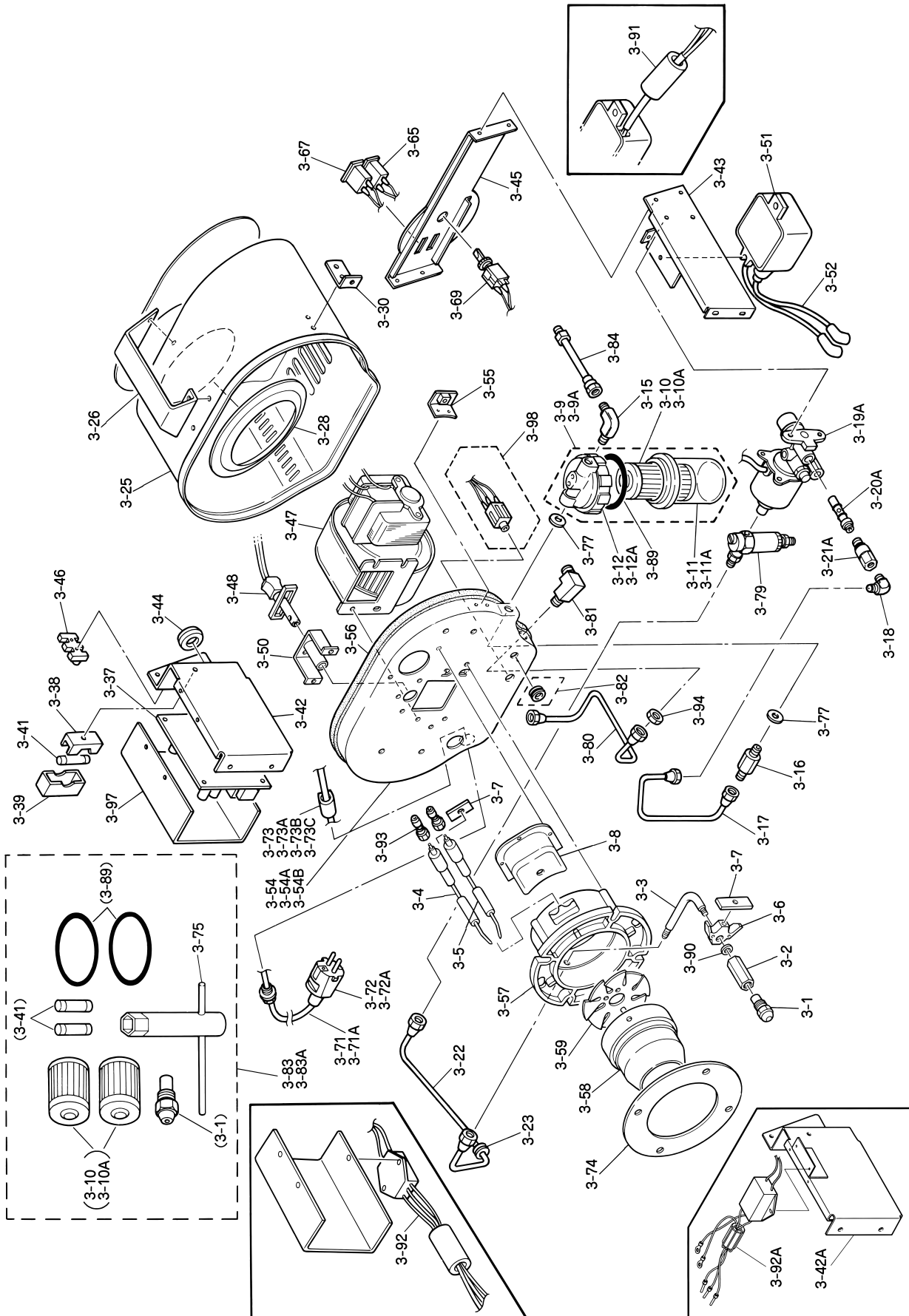


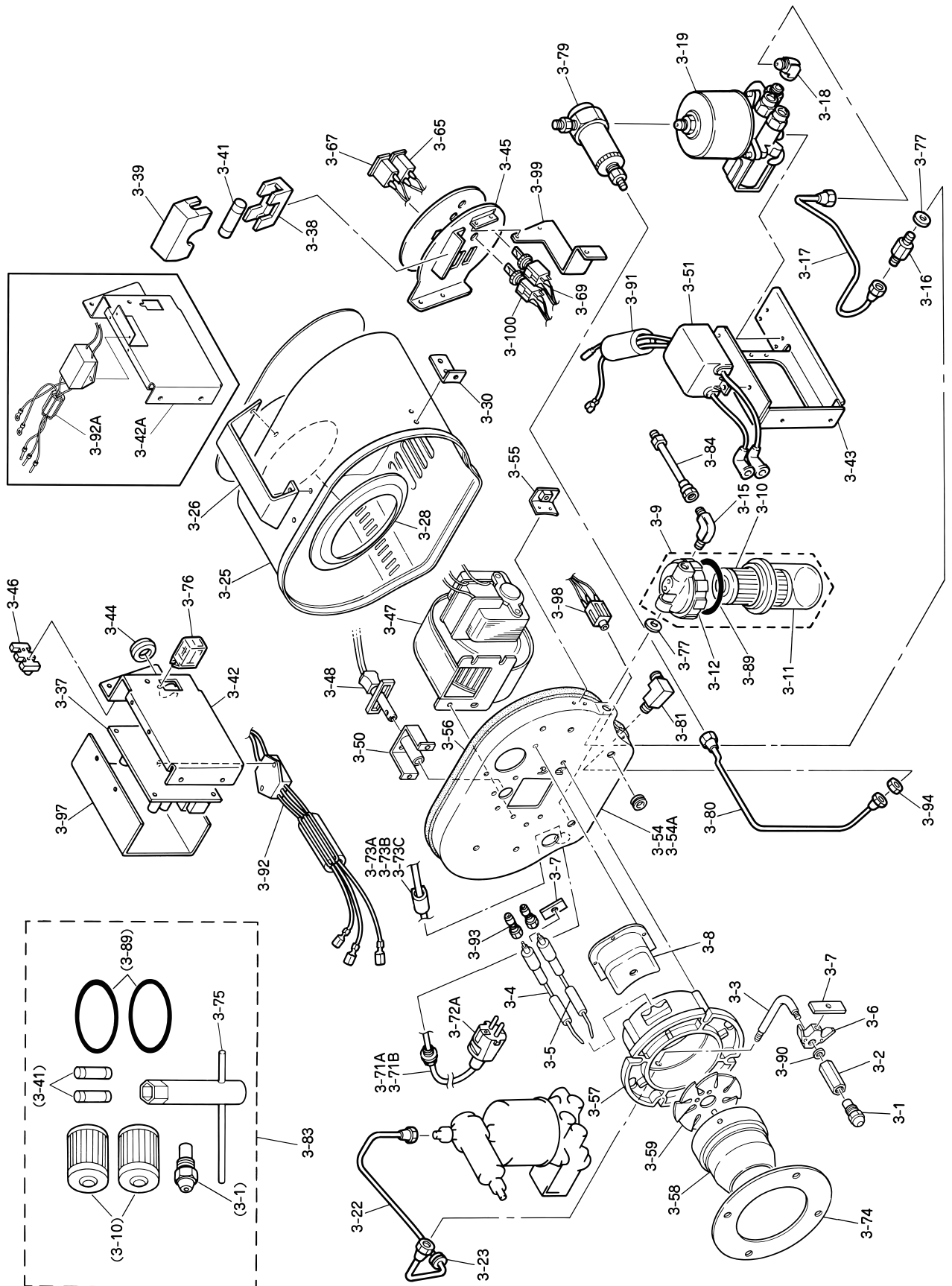
**Spareparts VAL 6 before 2001 (PACKING NO. 3: BURNER)**

<b>Fabr. NR</b>	<b>Description</b>	<b>Code NR</b>
3	BURNER=PACKING 3	4116.273
3-1	NOZZLE 1 -STEP	4115.614
3-1	NOZZLE 2-STEP	4115.615
3-2	NOZZLE HOLDER	4115.623
3-3	NOZZLE PIPE	4115.624
3-4	ELECTRODE (L)	4115.200
3-5	ELECTRODE (R)	4115.218
3-6	ELECTRODE STAY	4115.648
3-7	ELECTRODE FITTING	4116.609
3-8	ELECTRODE COVER	4115.663
3-9	FILTER COMPLETE	4115.226
3-10	FILTER ELEMENT	4115.234
3-11	FILTER BOWL	4115.671
3-15	ELBOW NIPPLE	4115.242
3-16	FILTER NIPPLE	4115.259
3-17	FUEL INTAKE LINE	4115.697
3-17	FUEL INTAKE LINE 2-STEP	4116.613
3-18	PUMP ELBOW 1 -STEP	4115.267
3-18A	PUMP ELBOW 2-STEP	4115.268
3-19	FUEL PUMP 1-STEP	4115.275
3-19	FUEL PUMP 2-STEP	4116.610
3-20	REVERSE CHECK VALVE 92<	4115.283
3-20A	REVERSE CHECK VALVE 92>	4115.285
3-21	PUMP NIPPLE 92<	4115.291
3-21A	PUMP NIPPLE 92>	4115.292
3-22	FUEL INTAKE LINE	4115.309
3-25	HOUSING	4115.739
3-26	HOUSING GRIP	4115.747
3-29	SEAL	4115.770
3-30	HOUSING FITTING PIECE A	4115.788
3-37	BURNER CONTROL	4115.317
3-38	FUSE HOLDER	4115.853
3-41	FUSE	4115.887
3-44	CHASSIS GROMMET	4115.928
3-45	FACE PLATE	4115.929
3-47	FAN MOTOR 1-STEP	4115.325
3-47	FAN MOTOR 2-STEP	4116.612
3-48	FLAME MONITOR	4115.333
3-50	FLAME MONITOR BRACKET	4115.952
3-51	TRANSFORMER	4115.960
3-51	TRANSFORMER 2-STEP	4116.615
3-52	HIGH TENSION CORD	4115.341

**Spareparts VAL 6 before 2001 (PACKING NO. 3: BURNER)**

<b>Fabr. NR</b>	<b>Description</b>	<b>Code NR</b>
3-53	HIGH TENSION CORD CAP	4115.358
3-55	HOUSING FITTING PIECE B	4115.789
3-56	HOUSING SEAL	4115.994
3-57	BURNER BOSS	4116.000
3-58	BURNER CONE	4116.018
3-59	WHIRL VANE	4116.026
3-65	MISFIRE LAMP	4116.067
3-67	OPERATION LAMP	4116.281
3-69	SWITCH	4115.345
3-70	SWITCH LEAD	4116.091
3-74	BURNER PACKING	4115.374
3-76	RELAY 2-ST	4116.620
3-79	AIR VENT VALVE	4116.166
3-80	RETURN LINE 1 STEP	4116.161
3-80	RETURN LINE 2-STEP	4116.616
3-81	RETURN LINE NIPPLE	4116.172
3-84	PHD NIPPLE	4115.271
3-88	DIODE	4116.356
3-89	O-RING	4116.141
3-92	NOISE FILTER RFI <97	4116.203
3-92	NOISE FILTER WITH FUSE	4116.204
3-93	ELECTRODE NIPPLE	4116.380
3-94	NIPPLE FITTING NUT REPAIR BURNER CONTROL	4116.205 4115.321
3-98	JACK	4115.305
3-100	SWITCH HIGH LOW	4115.366







**Spareparts VAL 6-KB 2001-2002 (PACKING NO. 1: MAIN UNIT)**

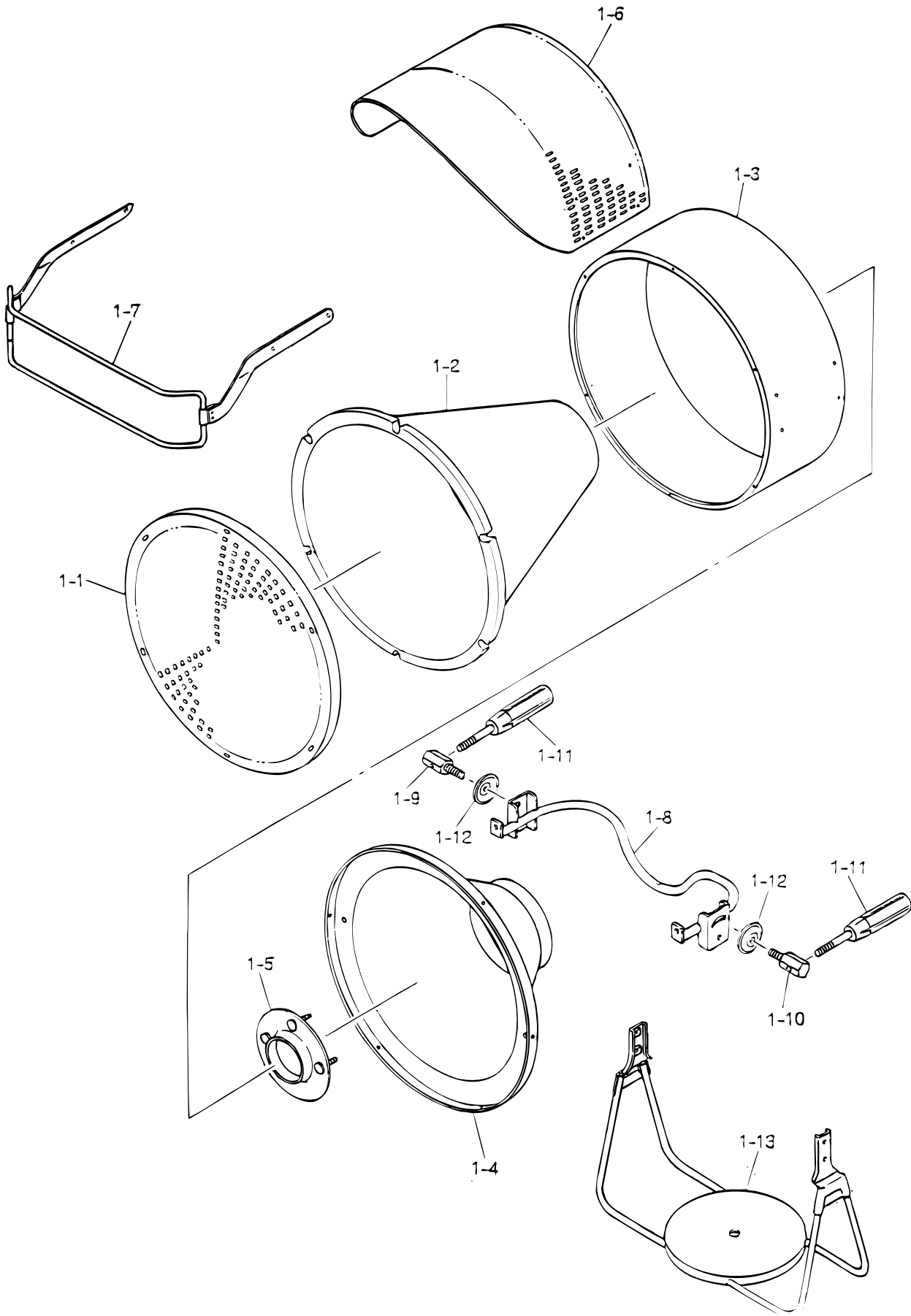
<b>Pos.</b>	<b>Description</b>	<b>Code NR</b>
1-1	RADIATION DISK	4115.473
1-2	CONICAL INSULATOR	4115.481
1-3	DRUM	4115.499
1-4	CONICAL HOUSING	4115.507
1-5	BURNER FITTING PIECE	4115.515
1-6	VISOR	4116.224
1-7	GUARD RAIL	4116.232
1-8	BURNER STAY	S/R
1-9	ANGLE ADJUSTMENT BOLT	S/R

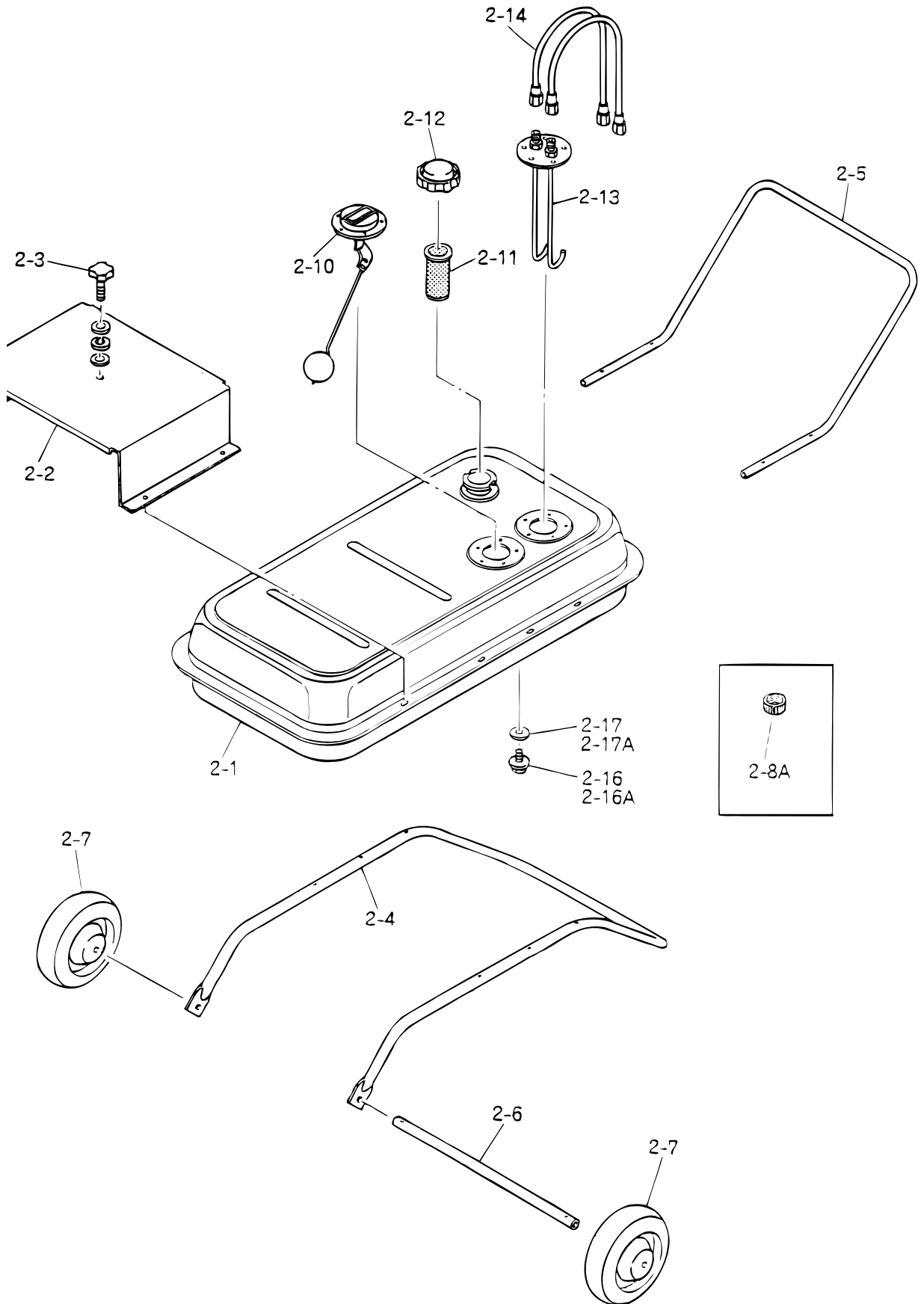
S/R = Parts Available by Special Request Only

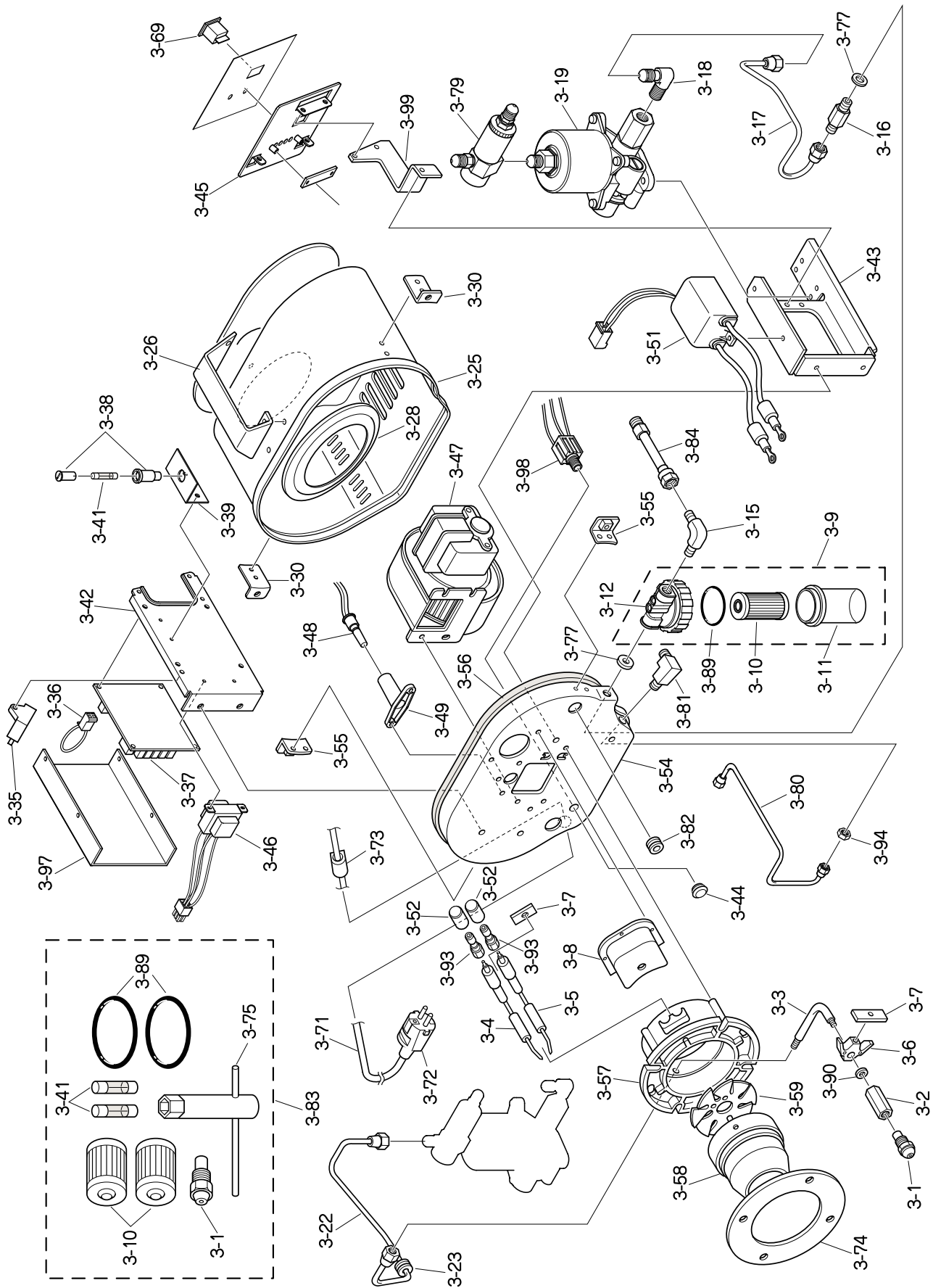
**Spareparts VAL 6-KB 2001-2002 (PACKING NO. 2: FUEL TANK)**

<b>Pos.</b>	<b>Description</b>	<b>Code NR</b>
2-1	FUEL TANK	4115.383
2-2	WHEEL HOLDER	S/R
2-3	WHEEL SHAFT	S/R
2-4	WHEEL	S/R
2-5	FUEL GAUGE	4115.425
2-6	TANK INLET FILTER	4115.432
2-7	TANK CAP	S/R
2-8	SUCTION PIPE	S/R
2-9	RETURN NIPPLE	S/R
2-10	SUCTION PACKING	S/R
2-11	DRAIN BOLT	S/R
2-12	DRAIN PACKING	S/R
2-13	FRAME (R)	S/R
2-14	FRAME (L)	S/R
2-15	HOLDER PIPE	S/R
2-16	REINFORCEMENT	S/R
2-17	HANDLE STAY BRACKET (R)	S/R
2-18	HANDLE STAY BRACKET (L)	S/R
2-19	FIXING PIN	S/R
2-20	FUEL HOSE	4115.465
2-21	HANDLE	S/R

S/R = Parts Available by Special Request Only



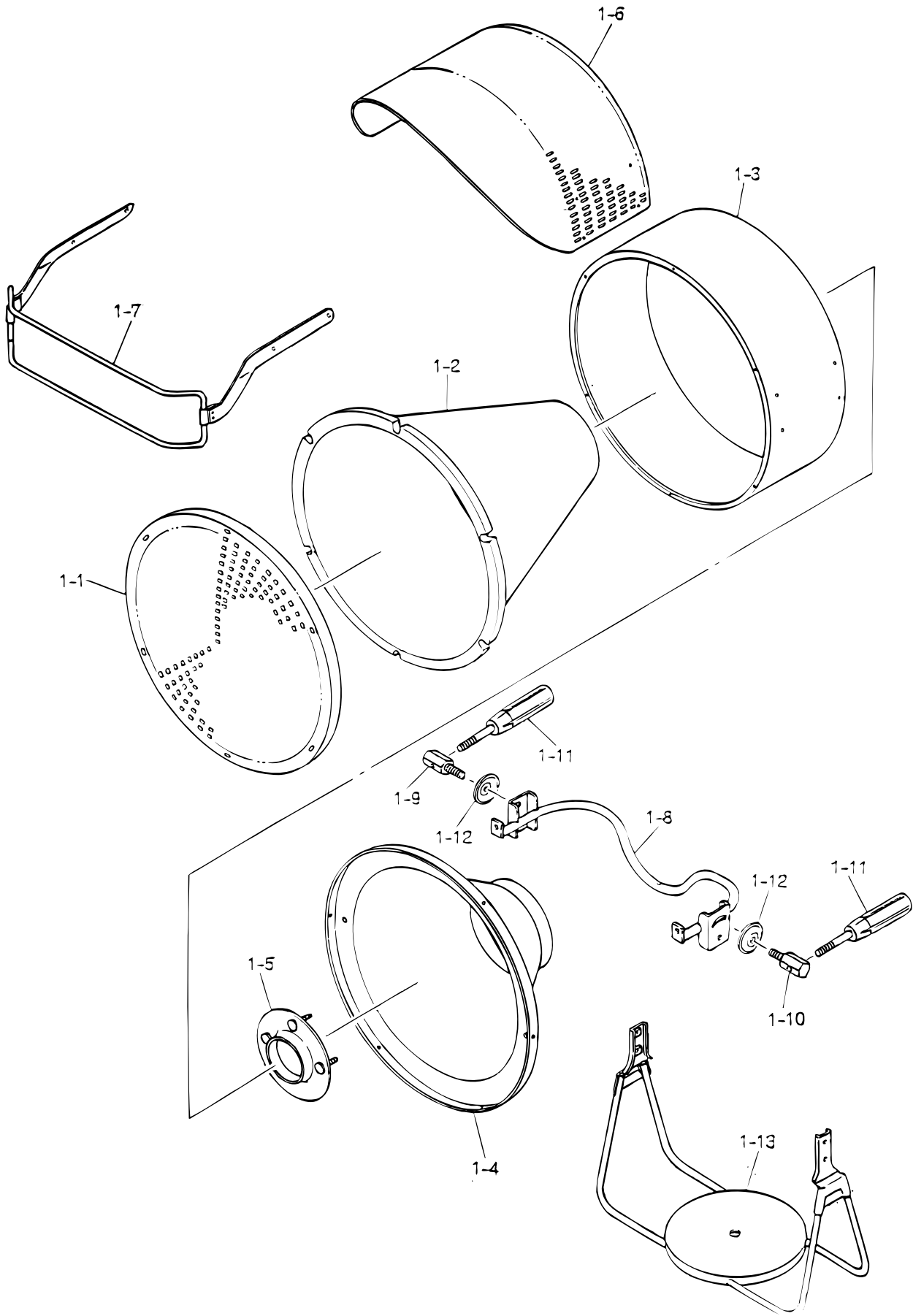


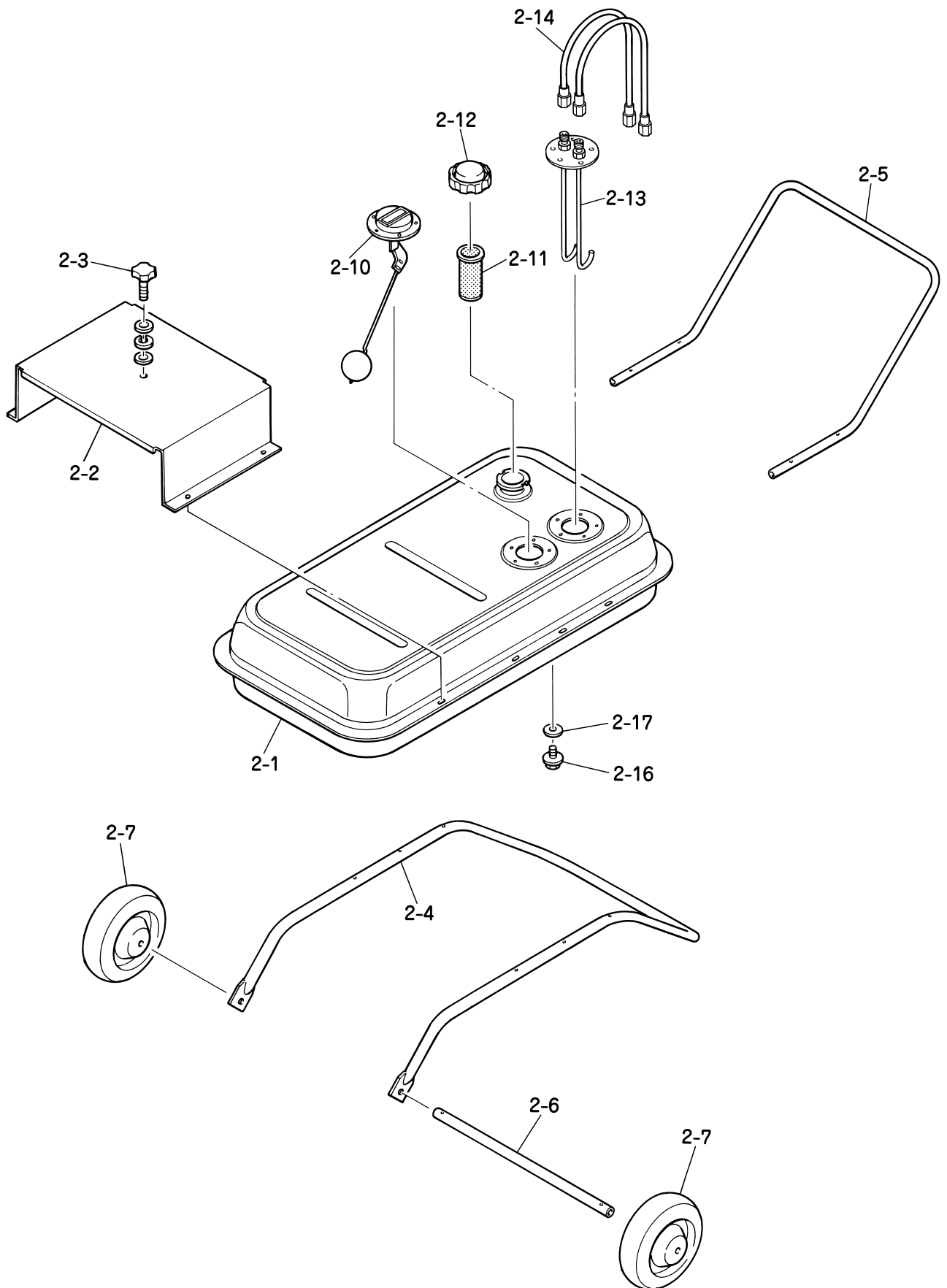


## Spareparts VAL 6-KBE 2001-2002 (PACKING NO. 3: BURNER)

Pos.	Description	Code NR
3-1	NOZZLE	4115.614
3-2	NOZZLE HOLDER	4115.623
3-3	NOZZLE PIPE	4115.624
3-4	ELECTRODE (RH)	4115.218
3-5	ELECTRODE (LH)	4115.200
3-6	ELECTRODE STAY	4115.648
3-7	ELECTRODE FITTING PIECE	4115.609
3-8	ELECTRODE COVER	4115.663
3-9	FUEL FILTER COMPLETE	4115.226
3-10	FILTER ELEMENT	4115.234
3-11	FILTER BOWL	4115.671
3-12	FILTER BODY	S/R
3-15	ELBOW NIPPLE	4115.242
3-16	FILTER NIPPLE	4115.259
3-17	FUEL INTAKE LINE	4116.613
3-18	PUMP ELBOW	4115.267
3-19	FUEL PUMP	4116.630
3-22	FUEL OUTLET LINE	4115.309
3-23	PUMP NOZZLE GROMMIT	S/R
3-25	HOUSING	4115.739
3-26	HOUSING GRIP	4115.747
3-28	HOUSING SEAL (A)	4115.770
3-30	HOUSING FITTING PIECE (A)	4115.788
3-35	CONDENSOR	S/R
3-36	SHORT CIRCUIT CORD	S/R
3-37	BURNER CONTROL	4116.631
3-38	FUSE HOLDER	4116.765
3-39	FUSE HOLDER BRACKET	S/R
3-41	FUSE (1.6 A)	4116.764
3-42	CONTROL CHASSIS	S/R
3-43	PUMP TRANSFORMER BRACKET	S/R
3-44	GROMMET	S/R
3-45	FACE PLATE	S/R
3-46	STEP DOWN TRANSFORMER	4116.631
3-47	FAN MOTOR	4116.632
3-48	FLAME MONITOR	4116.640
3-49	FLAME MONITOR HOLDER	4116.641
3-51	IGNITION TRANSFORMER	4116.636
3-52	INSULATING CAP	S/R
3-54	HOUSING END	S/R
3-55	HOUSING FITTING PIECE (B)	4115.789
3-56	HOUSING SEAL (B)	4115.994
3-57	BURNER BOSS	4116.000
3-58	BURNER CONE	4116.018
3-59	WHIRL VANE	4116.026
3-69	SWITCH	4116.637
3-71	POWER CABLE	S/R
3-72A	PLUG	S/R
3-73A	CABLE STOPPER	S/R
3-74	BURNER PACKING	4115.374
3-75	NOZZLE SPANNER	S/R
3-77	WASHER	S/R
3-79	AIR VENT VALVE	4116.166
3-80	RETURN LINE	4116.161
3-81	RETURN LINE NIPPLE	4116.172
3-82	RUBBER CAP	S/R
3-84	PHD NIPPLE	4115.271
3-89	O-RING	4116.141
3-90	WASHER	S/R
3-93	ELECTRODE NIPPLE	4116.380
3-94	NIPPLE FITTING NUT	4116.205
3-97	BURNER CONTROL COVER	S/R
3-98	JACK	S/R
3-99	FACE PLATE BRACKET	S/R

S/R = Parts Available by Special Request Only







**Spareparts VAL 6-1 STEP 2001-2002 (PACKING NO. 1: MAIN UNIT)**

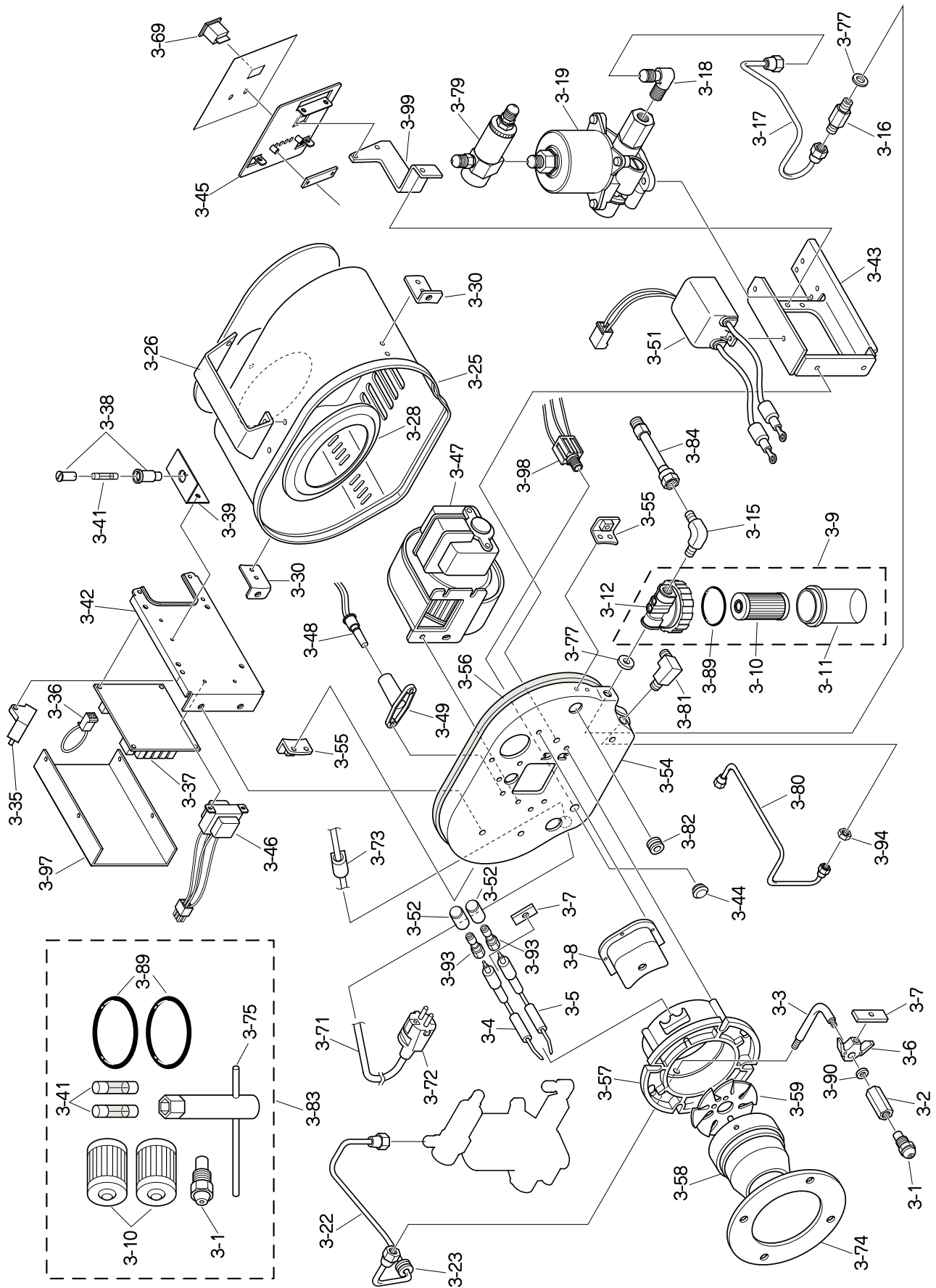
<b>Pos.</b>	<b>Description</b>	<b>Code NR</b>
1	MAIN UNIT (PACKING NO.1)	4116.216
1-1	RADIATION DISK	4115.473
1-2	CONICAL INSULATOR	4115.481
1-3	DRUM	4115.499
1-4	CONICAL HOUSING	4115.507
1-5	BURNER FITTING PIECE	4115.515
1-6	VISOR	4116.224
1-7	GUARD RAIL	4116.232
1-8	BURNER STAY	S/R
1-9	CLAMP BOLT (RH)	4115.549
1-10	CLAMP BOLT (LH)	4115.556
1-11	CLAMP LEVER	4115.564
1-12	WASHER	S/R
1-13	BURNER LEG	S/R
	** Screw for guard rail	4116.231

S/R = Parts Available by Special Request Only

**Spareparts VAL 6-1 STEP 2001-2002 (PACKING NO. 2: FUEL TANK)**

<b>Pos.</b>	<b>Description</b>	<b>Code NR</b>
2	FUEL TANK (PACKING NO.2)	4116.158
2-1	FUEL TANK	4115.382
2-2	SWIVEL BASE	4116.167
2-3	SWIVEL BOLT	4116.174
2-4	TANK LEG	4116.182
2-5	GRIP	4116.190
2-6	WHEEL SHAFT	S/R
2-7	WHEEL	4115.390
2-8A	DRAIN CAP ( OLD MODELS)	4115.407
2-10	FUEL GAUGE	4115.424
2-11	TANK INLET FILTER	4115.432
2-12	FILLER CAP	4115.400
2-13	SUCTION PIPE SINGLE	4115.457
2-13A	SUCTION PIPE DOUBLE	4115.458
2-14	FUEL LINE FLEXIBLE	4115.465
2-16	DRAIN BOLT TILL 90/91	4115.408
2-16A	DRAIN BOLT FROM 91/92	4115.409
2-17	PACKING	S/R

S/R = Parts Available by Special Request Only



**Spareparts VAL 6-1 STEP 2001-2002 (PACKING NO. 3: BURNER)**

<b>Pos.</b>	<b>Description</b>	<b>Code NR</b>	
3-1	NOZZLE	4115.614	
3-2	NOZZLE HOLDER	4115.623	
3-3	NOZZLE PIPE	4115.624	
3-4	ELECTRODE (RH)	4115.218	
3-5	ELECTRODE (LH)	4115.200	
3-6	ELECTRODE STAY	4115.648	
3-7	ELECTRODE FITTING PIECE	4115.609	
3-8	ELECTRODE COVER	4115.663	
3-9	FUEL FILTER COMPLETE	4115.226	
3-10	FILTER ELEMENT	4115.234	
3-11	FILTER BOWL	4115.671	
3-12	FILTER BODY	S/R	
3-15	ELBOW NIPPLE	4115.242	
3-16	FILTER NIPPLE	4115.259	
3-17	FUEL INTAKE LINE	4116.613	
3-18	PUMP ELBOW	4115.267	
3-19	FUEL PUMP	4116.630	
3-22	FUEL OUTLET LINE	4115.309	
3-23	PUMP NOZZLE GROMMIT	S/R	
3-25	HOUSING	4115.739	
3-26	HOUSING GRIP	4115.747	
3-28	HOUSING SEAL (A)	4115.770	
3-30	HOUSING FITTING PIECE (A)	4115.788	
3-35	CONDENSOR	S/R	
3-36	SHORT CIRCUIT CORD	S/R	
3-37	BURNER CONTROL	4116.631	
3-38	FUSE HOLDER	4116.765	
3-39	FUSE HOLDER BRACKET	S/R	
3-41	FUSE (1.6 A)	4116.764	
3-42	CONTROL CHASSIS	S/R	
3-43	PUMP TRANSFORMER BRACKET	S/R	
3-44	GROMMET	S/R	
3-45	FACE PLATE	S/R	
3-46	STEP DOWN TRANSFORMER	4116.633	
3-47	FAN MOTOR	4116.632	
3-48	FLAME MONITOR	4116.640	NEW
3-49	FLAME MONITOR HOLDER	4116.641	NEW
3-51	IGNITION TRANSFORMER	4116.636	
3-52	INSULATING CAP	S/R	
3-54	HOUSING END	S/R	
3-55	HOUSING FITTING PIECE (B)	4115.789	
3-56	HOUSING SEAL (B)	4115.994	
3-57	BURNER BOSS	4116.000	
3-58	BURNER CONE	4116.018	
3-59	WHIRL VANE	4116.026	
3-69	SWITCH	4116.637	
3-71	POWER CABLE	S/R	
3-72A	PLUG	S/R	
3-73A	CABLE STOPPER	S/R	
3-74	BURNER PACKING	4115.374	
3-75	NOZZLE SPANNER	S/R	
3-77	WASHER	S/R	
3-79	AIR VENT VALVE	4116.166	
3-80	RETURN LINE	4116.161	
3-81	RETURN LINE NIPPLE	4116.172	
3-82	RUBBER CAP	S/R	
3-84	PHD NIPPLE	4115.271	
3-89	O-RING	4116.141	
3-90	WASHER S/R		
3-93	ELECTRODE NIPPLE	4116.380	
3-94	NIPPLE FITTING NUT	4116.205	
3-97	BURNER CONTROL COVER	S/R	
3-98	JACK	S/R	
3-99	FACE PLATE BRACKET	S/R	

S/R = Parts Available by Special Request Only



**Spareparts VAL 6-2 STEP 2001-2002 (PACKING NO. 1: MAIN UNIT)**

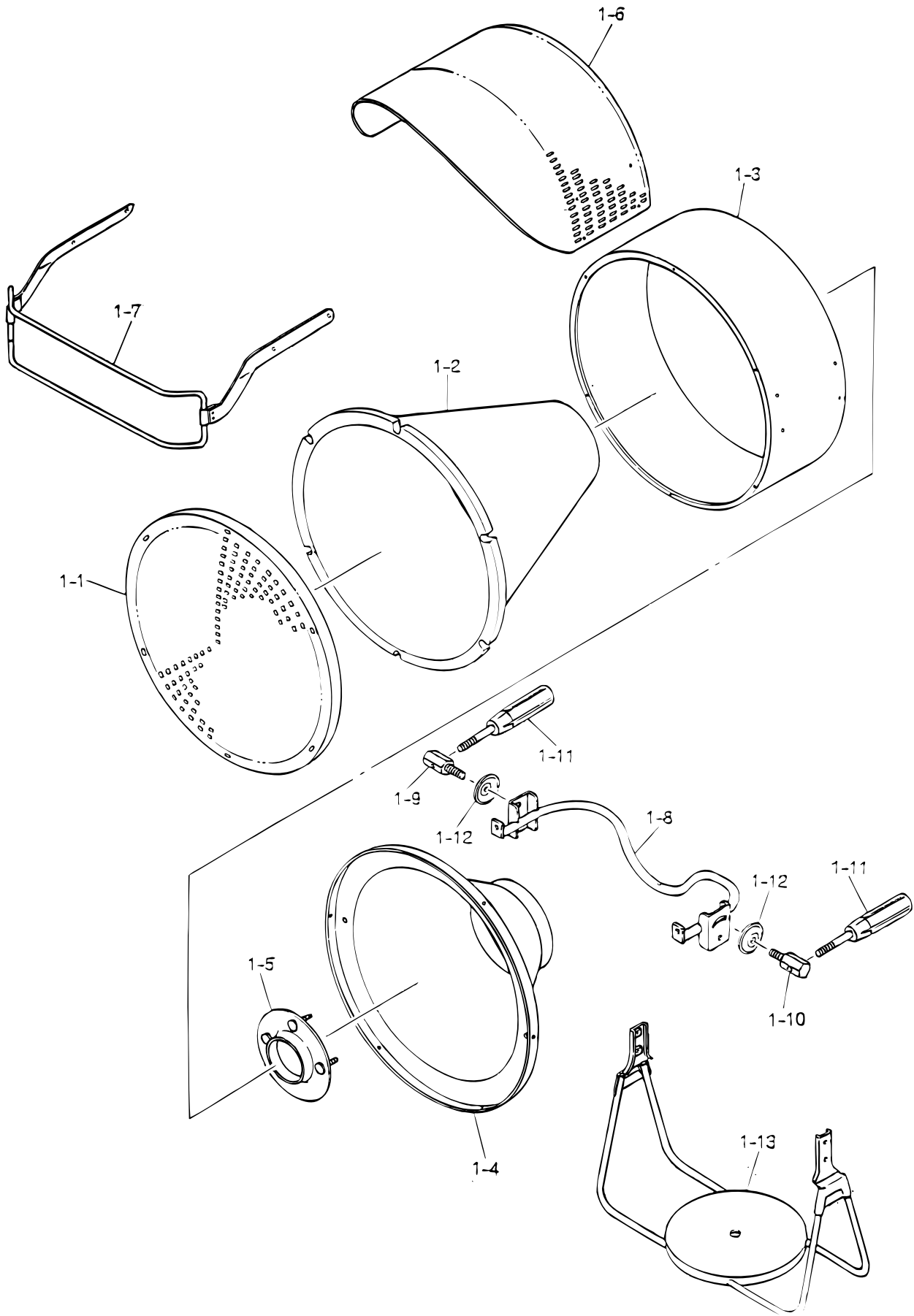
<b>Pos.</b>	<b>Description</b>	<b>Code NR</b>
1	MAIN UNIT (PACKING NO.1)	4116.216 ON S/R
1-1	RADIATION DISK	4115.473
1-2	CONICAL INSULATOR	4115.481
1-3	DRUM	4115.499
1-4	CONICAL HOUSING	4115.507
1-5	BURNER FITTING PIECE	4115.515
1-6	VISOR	4116.224
1-7	GUARD RAIL	4116.232
1-8	BURNER STAY	S/R
1-9	CLAMP BOLT (RH)	4115.549
1-10	CLAMP BOLT (LH)	4115.556
1-11	CLAMP LEVER	4115.564
1-12	WASHER	S/R
1-13	BURNER LEG S/R	
	** Screw for guard rail	4116.231

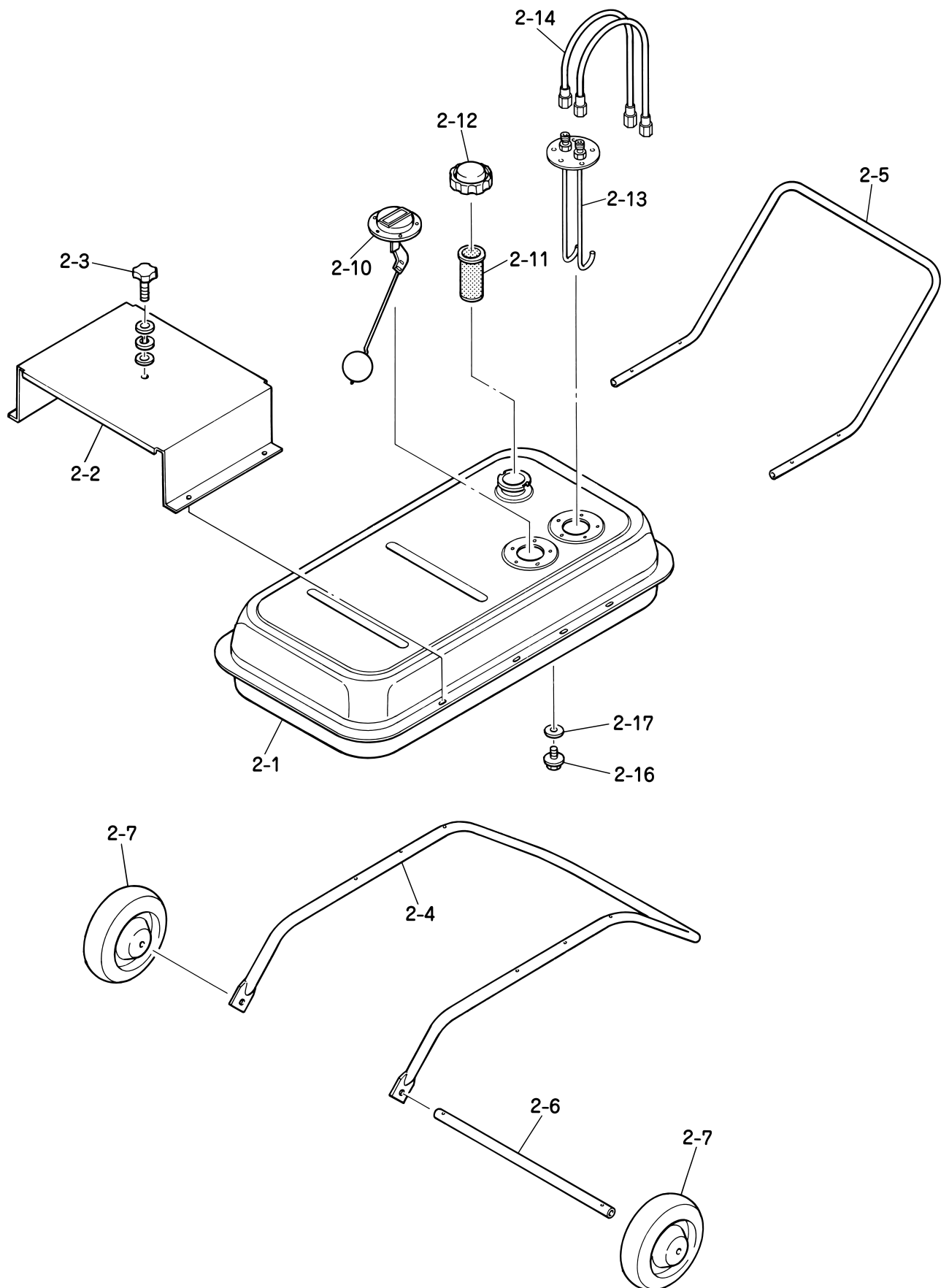
S/R = Parts Available by Special Request Only

**Spareparts VAL 6-2 STEP 2001-2002 (PACKING NO. 2: FUEL TANK)**

<b>Pos.</b>	<b>Description</b>	<b>Code NR</b>
2	FUEL TANK (PACKING NO.2)	4116.158 ON S/R
2-1	FUEL TANK	4115.382
2-2	SWIVEL BASE	4116.167
2-3	SWIVEL BOLT	4116.174
2-4	TANK LEG	4116.182
2-5	GRIP	4116.190
2-6	WHEEL SHAFT	S/R
2-7	WHEEL	4115.390
2-10	FUEL GAUGE	4115.424
2-11	TANK INLET FILTER	4115.432
2-12	FILLER CAP	4115.400
2-13	SUCTION PIPE DOUBLE	4115.458
2-14	FUEL LINE FLEXIBLE	4115.465
2-16	DRAIN BOLT FROM 91/92	4115.409
2-17	PACKING	S/R

S/R = Parts Available by Special Request Only





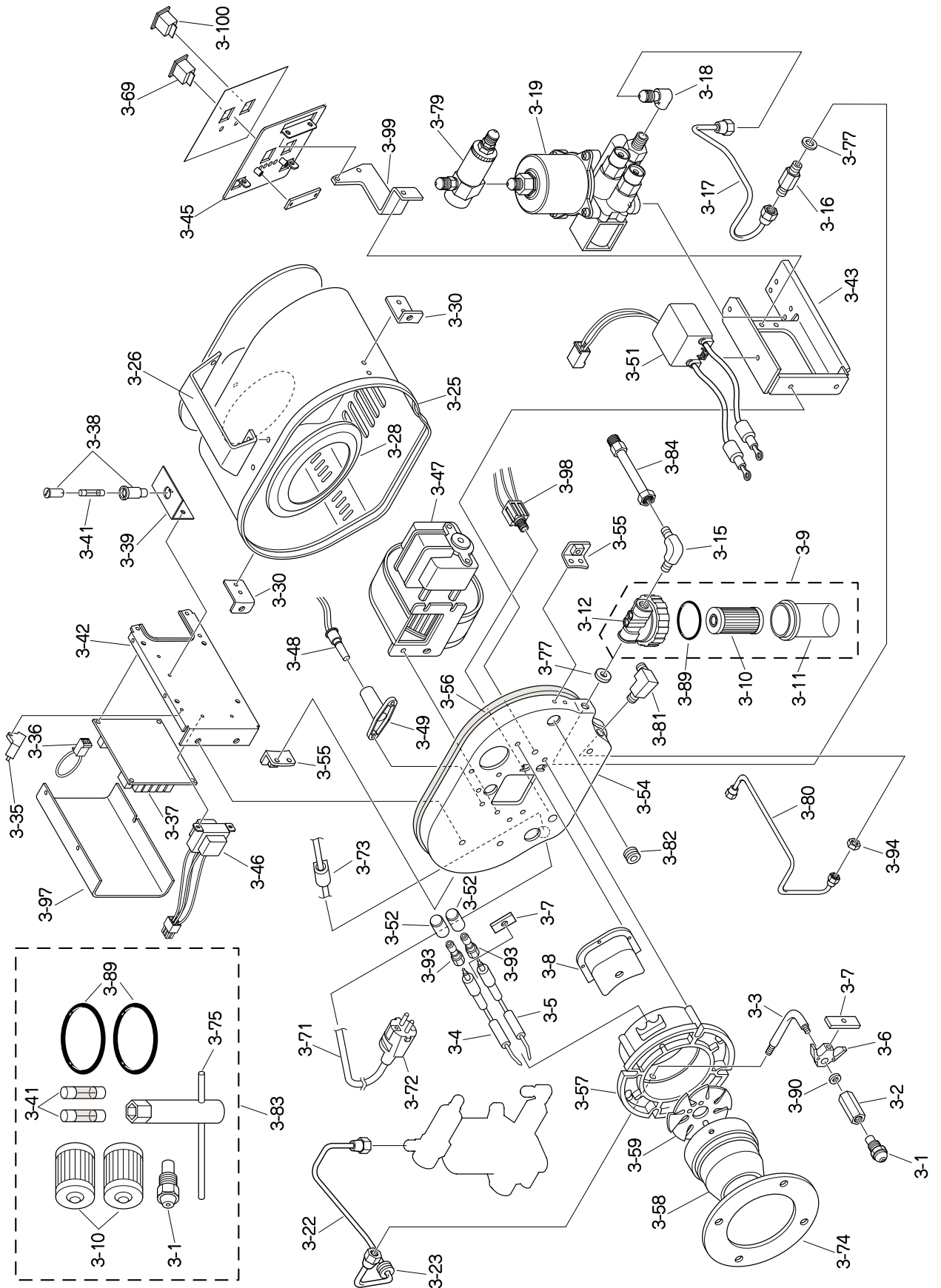


## Spareparts VAL 6-2 STEP 2001-2002 (PACKING NO. 3: BURNER)

Pos.	Description	Code NR
3	BURNER (PACKING NO.3)	S/R
3-1	NOZZLE	4115.615
3-2	NOZZLE HOLDER	4115.623
3-3	NOZZLE PIPE	4115.624
3-4	ELECTRODE (RH)	4115.218
3-5	ELECTRODE (LH)	4115.200
3-6	ELECTRODE STAY	4115.648
3-7	ELECTRODE FITTING PIECE	4115.609
3-8	ELECTRODE COVER	4115.663
3-9	FUEL FILTER COMPLETE	4115.226
3-10	FILTER ELEMENT	4115.234
3-11	FILTER BOWL	4115.671
3-12	FILTER BODY	S/R
3-15	ELBOW NIPPLE	4115.242
3-16	FILTER NIPPLE	4115.259
3-17	FUEL INTAKE LINE	4116.613
3-18	PUMP ELBOW	4115.268
3-19	FUEL PUMP	4116.638
3-22	FUEL OUTLET LINE	4115.309
3-23	PUMP NOZZLE GROMMIT	S/R
3-25	HOUSING	4115.739
3-26	HOUSING GRIP	4115.747
3-28	HOUSING SEAL (A)	4115.770
3-30	HOUSING FITTING PIECE (A)	4115.788
3-35	CONDENSOR	S/R
3-36	SHORT CIRCUIT CORD	S/R
3-37	BURNER CONTROL	4116.631
3-38	FUSE HOLDER	4116.765
3-39	FUSE HOLDER BRACKET	S/R
3-41	FUSE (1.6A)	4116.764
3-42	CONTROL CHASSIS	S/R
3-43	PUMP TRANSFORMER BRACKET	S/R
3-45	FACE PLATE	S/R
3-46	STEP DOWN TRANSFORMER	4116.633
3-47	FAN MOTOR	4116.639
3-48	FLAME MONITOR`	4116.640
3-49	FLAME MONITOR HOLDER	4116.641
3-51	IGNITION TRANSFORMER	4116.636
3-52	INSULATING CAP	S/R
3-54	HOUSING END	S/R
3-55	HOUSING FITTING PIECE (B)	4115.789
3-56	HOUSING SEAL (B)	4115.994
3-57	BURNER BOSS	4116.000
3-58	BURNER CONE	4116.018
3-59	WHIRL VANE	4116.026
3-69	SWITCH	4116.637
3-71	POWER CABLE	S/R
3-72	PLUG	S/R
3-73	CABLE STOPPER	S/R
3-74	BURNER PACKING	4115.374
3-75	NOZZLE SPANNER	S/R
3-77	WASHER	S/R
3-79	AIR VENT VALVE	4116.166
3-80	RETURN LINE	S/R
3-81	RETURN LINE NIPPLE	4116.172
3-82	RUBBER CAP	S/R
3-84	PHD NIPPLE	4115.271
3-89	O-RING	4116.141
3-90	WASHER	S/R
3-93	ELECTRODE NIPPLE	4116.380
3-94	NIPPLE FITTING NUT	4116.205
3-97	BURNER CONTROL COVER	S/R
3-98	JACK	S/R
3-99	FACE PLATE BRACKET	S/R
3-100	SWITCH HIGH-LOW	4116.635

S/R = Parts Available by Special Request Only





**Spareparts VAL 6 KBE1S Small Unit (PACKING NO. 1: MAIN UNIT)**

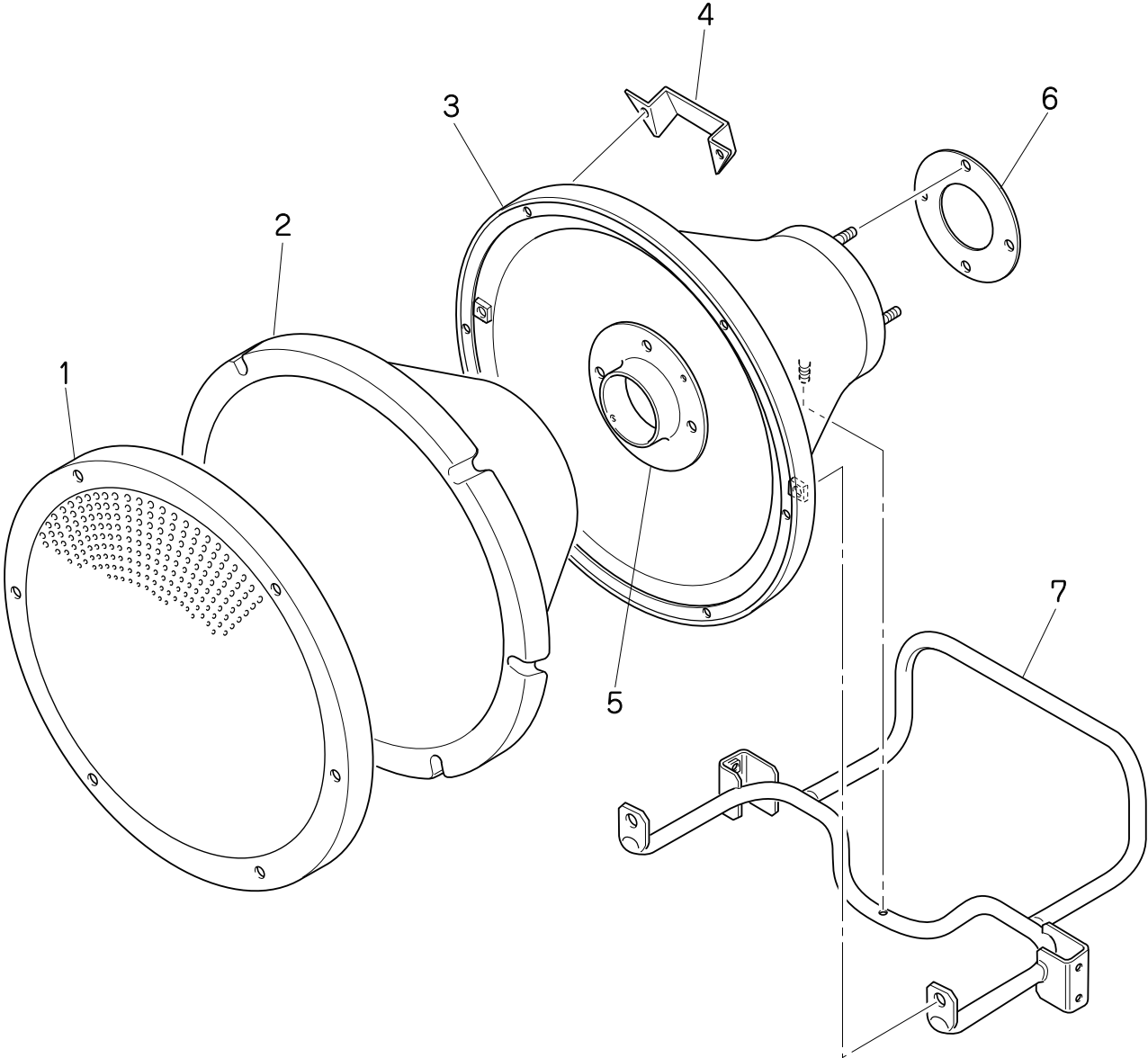
<b>Pos.</b>	<b>Description</b>	<b>Code NR</b>
1-1	RADIATION DISK	4115.473
1-2	CONICAL INSULATOR	4116.750
1-3	CONICAL HOUSING	4116.751
1-4	CAUTION LABEL PLATE	S/R
1-5	BURNER FITTING PIECE	4115.515
1-6	BURNER PACKING	4116.752
1-7	BURNER SUPPORT	S/R

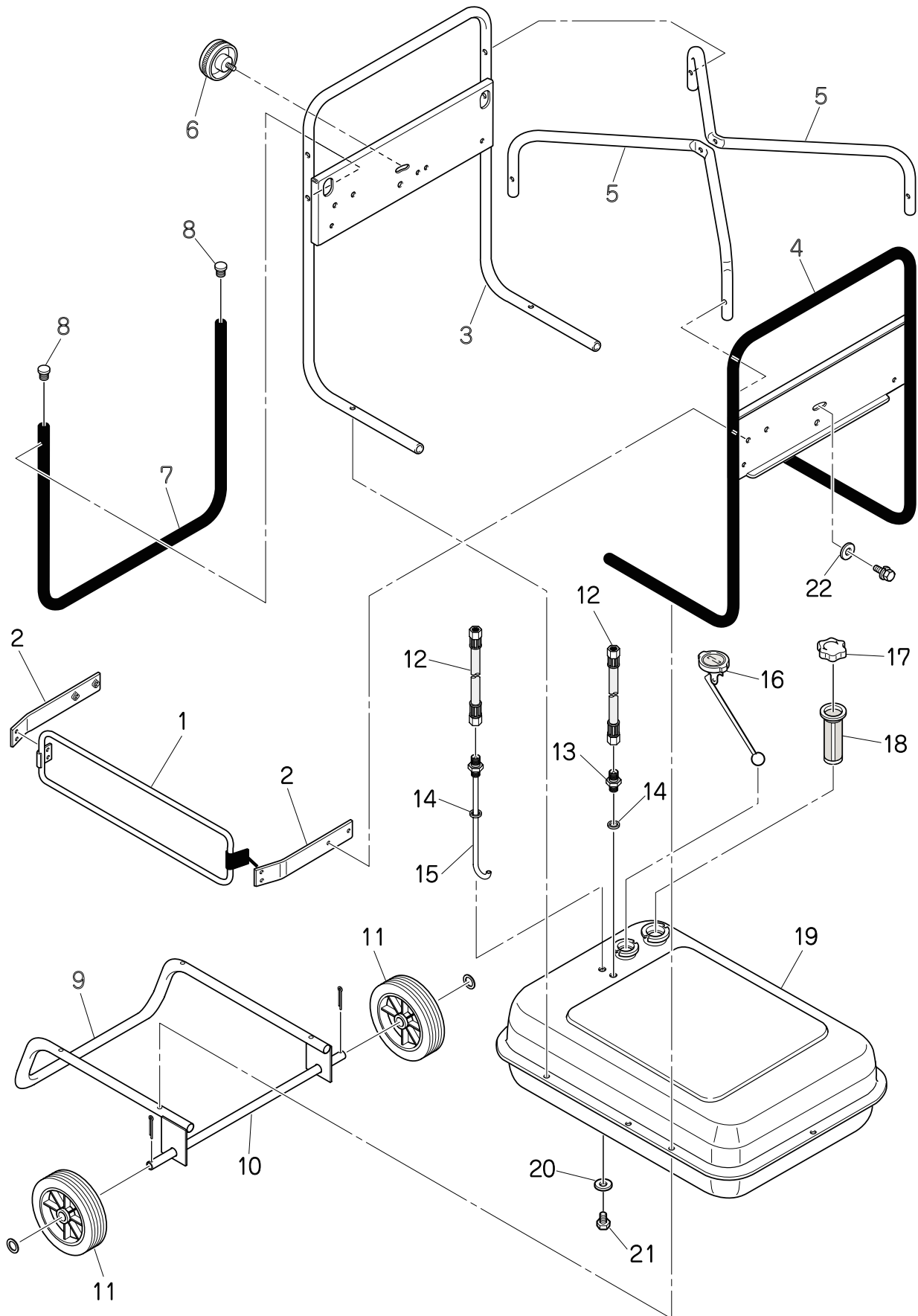
S/R = Parts Available by Special Request Only

**Spareparts VAL 6 KBE1S Small Unit (PACKING NO. 2: FUEL TANK)**

<b>Pos.</b>	<b>Description</b>	<b>Code NR</b>
2-1	PROTECTOR	4116.753
2-2	PROTECTOR BRACKETT	4116.754
2-3	FRAME (R)	S/R
2-4	FRAME (L)	S/R
2-5	FRAME CONNECTIO PIPE	S/R
2-6	KNOB BOLT	S/R
2-7	HANDLE	S/R
2-8	PIPE END CAP	S/R
2-9	TANK LEG	S/R
2-10	WHEEL SHAFT	S/R
2-11	WHEEL	4115.390
2-12	FUEL HOSE	4116.755
2-13	RETURN NIPPLE	S/R
2-14	SUCTION PACKING	S/R
2-15	SUCTION PIPE ASSEMBLY	4116.756
2-16	FUEL GAUGE	S/R
2-17	TANK CAP	4114.626
2-18	TANK INLET FILTER	4115.432
2-19	FUEL TANK	4116.757
2-20	DRAIN PACKING	S/R
2-21	DRAIN BOLT	4115.409
2-22	GASKET	S/R

S/R = Parts Available by Special Request Only

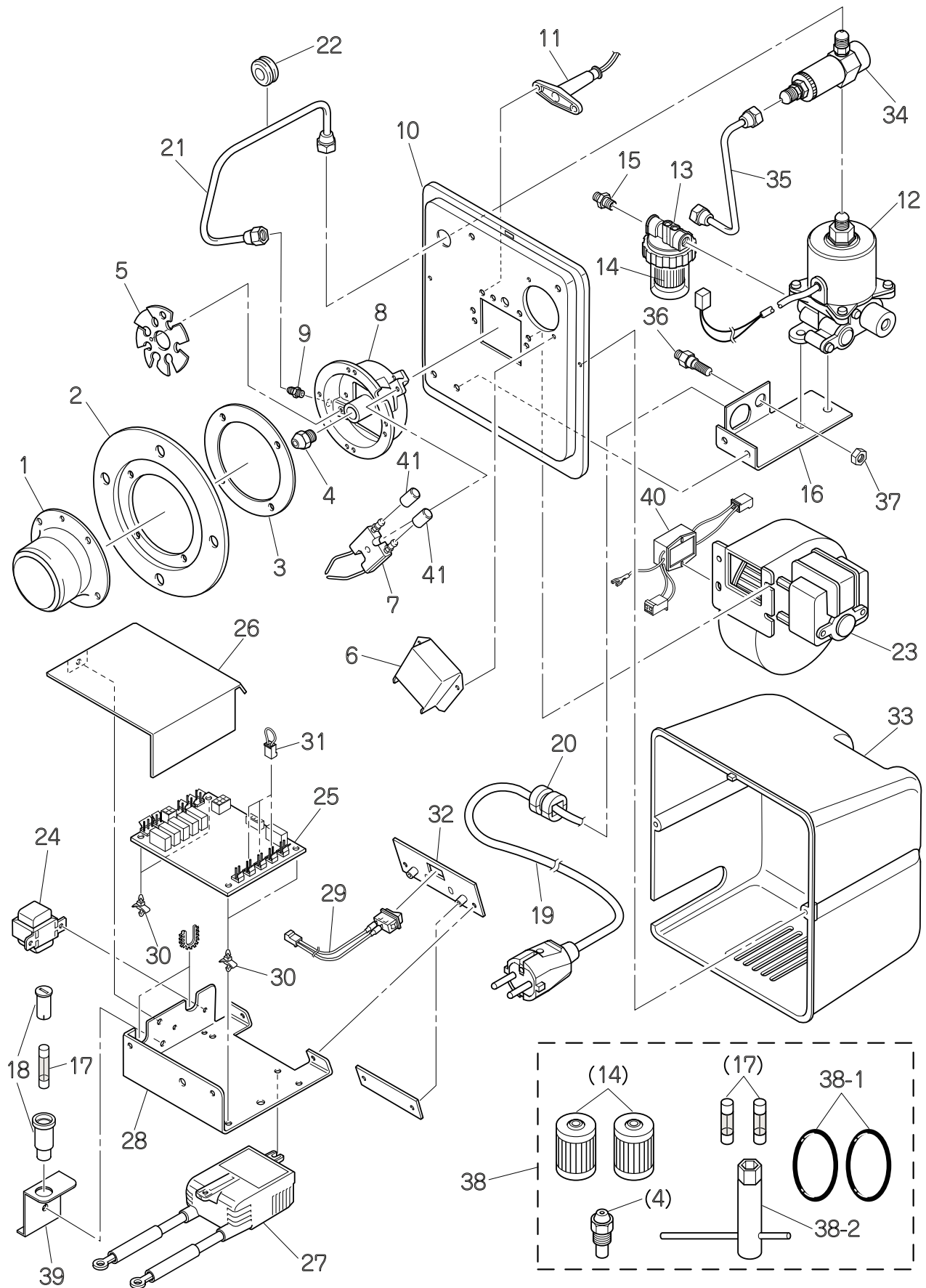




**Spareparts VAL 6 KBE1S Small Unit (PACKING NO. 3: BURNER)**

<b>Pos.</b>	<b>Description</b>	<b>Code NR</b>
3-1	BURNER CONE	4116.758
2	BURNER FLANGE	S/R
3	DIFFUSER PACKING	S/R
4	NOZZLE	4116.759
5	WHIRL VANE	S/R
6	ELECTRODE COVER	S/R
7	ELECTRODE	4116.760
8	DIFFUSER	4116.761
9	NOZZLE NIPPLE	S/R
10	BURNER BASE	S/R
11	FLAME MONITOR COMPLETE	4116.762
12	FUEL PUMP	4116.763
13	FUEL FILTER COMPLETE	4115.226
14	FILTER ELEMENT	4115.234
15	FILTER NIPPLE	S/R
16	PUMP BRACKET	S/R
17	FUSE (1.6A)	4116.764
18	FUSE HOLDER	4116.765
19	POWER CABLE	S/R
20	CABLE STOPPER	S/R
21	FUEL OUTLET LINE	4116.766
22	PUMP NOZZLE GROMMET	4116.767
23	FAN MOTOR	4116.768
24	STEP DOWN TRANSFORMER	4116.631
25	BURNER CONTROL	S/R
26	BURNER CONTROL COVER	S/R
28	CONTROL CHASSIS	S/R
29	SWITCH ASSEMBLY	4116.769
30	CONTROL SUPPORT	S/R
31	SHORT CIRCUIT CORD	S/R
32	FACE PLATE	S/R
33	BURNER COVER	S/R
34	AIR VENT VALVE	4116.166
35	RETURN LINE	4116.770
36	RETURN LINE NIPPLE	S/R
37	NIPPLE FITTING NUT	S/R
(38-1)	O-RING	4116.141
(38-2)	NOZZLE SPANNER	S/R
39	FUSE HOLDER BRACKET	S/R
40	NOISE FILTER	S/R
41	INSULATING CAP	S/R

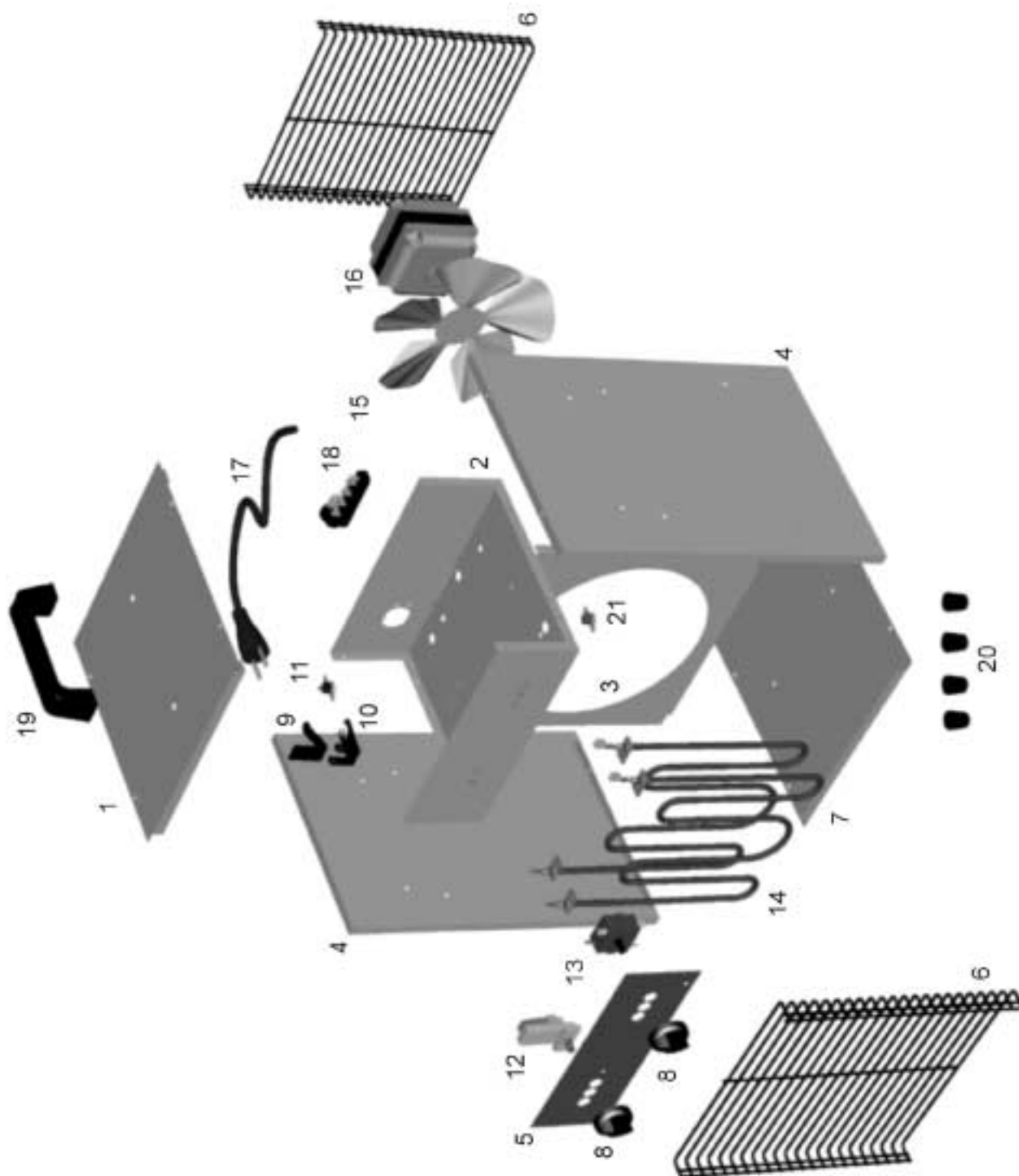
S/R = Parts Available by Special Request Only



**MASTER ELECTRIC**



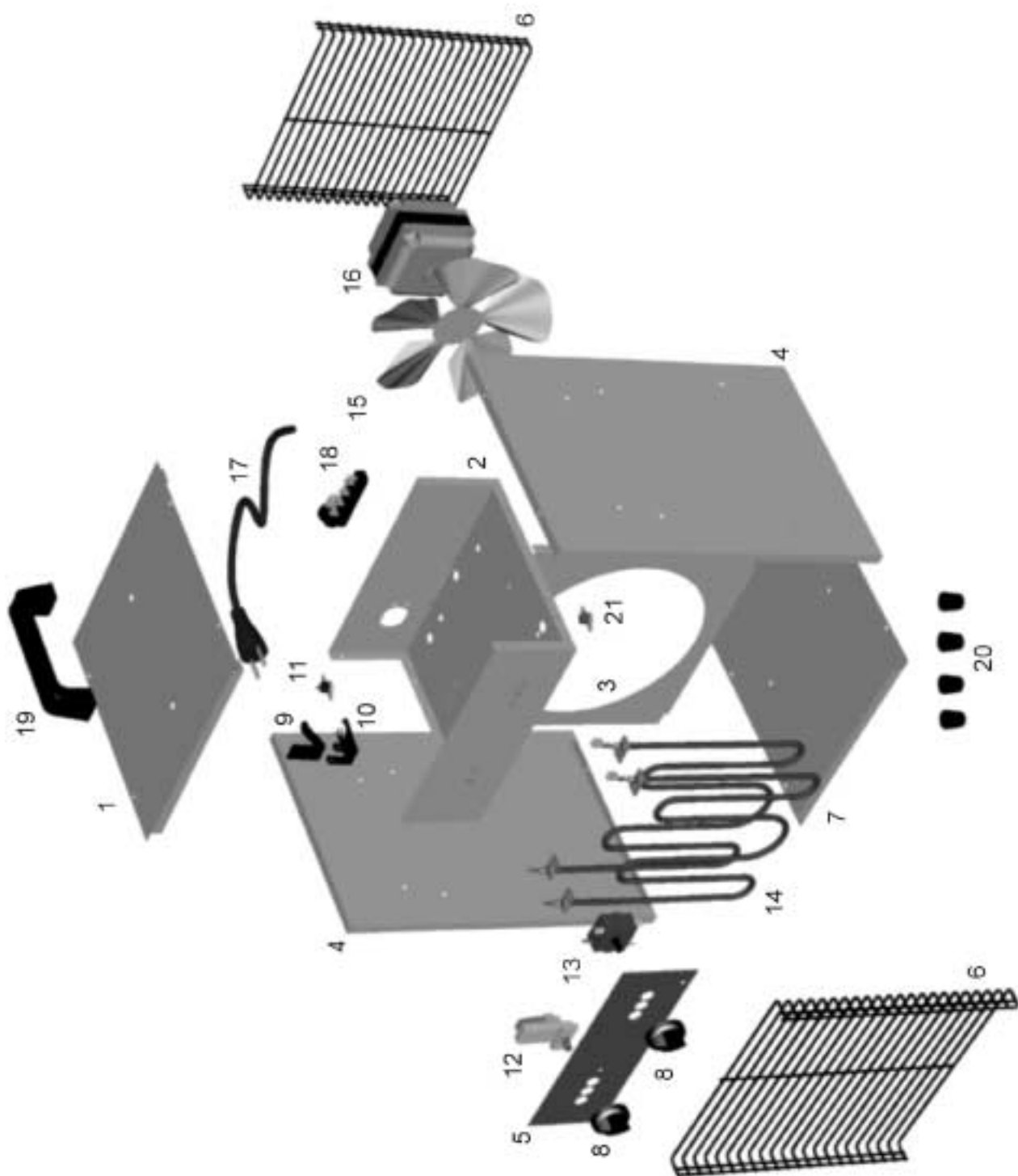




**Spareparts MASTER ELECTRIC HEATERS B 2 IT**

---

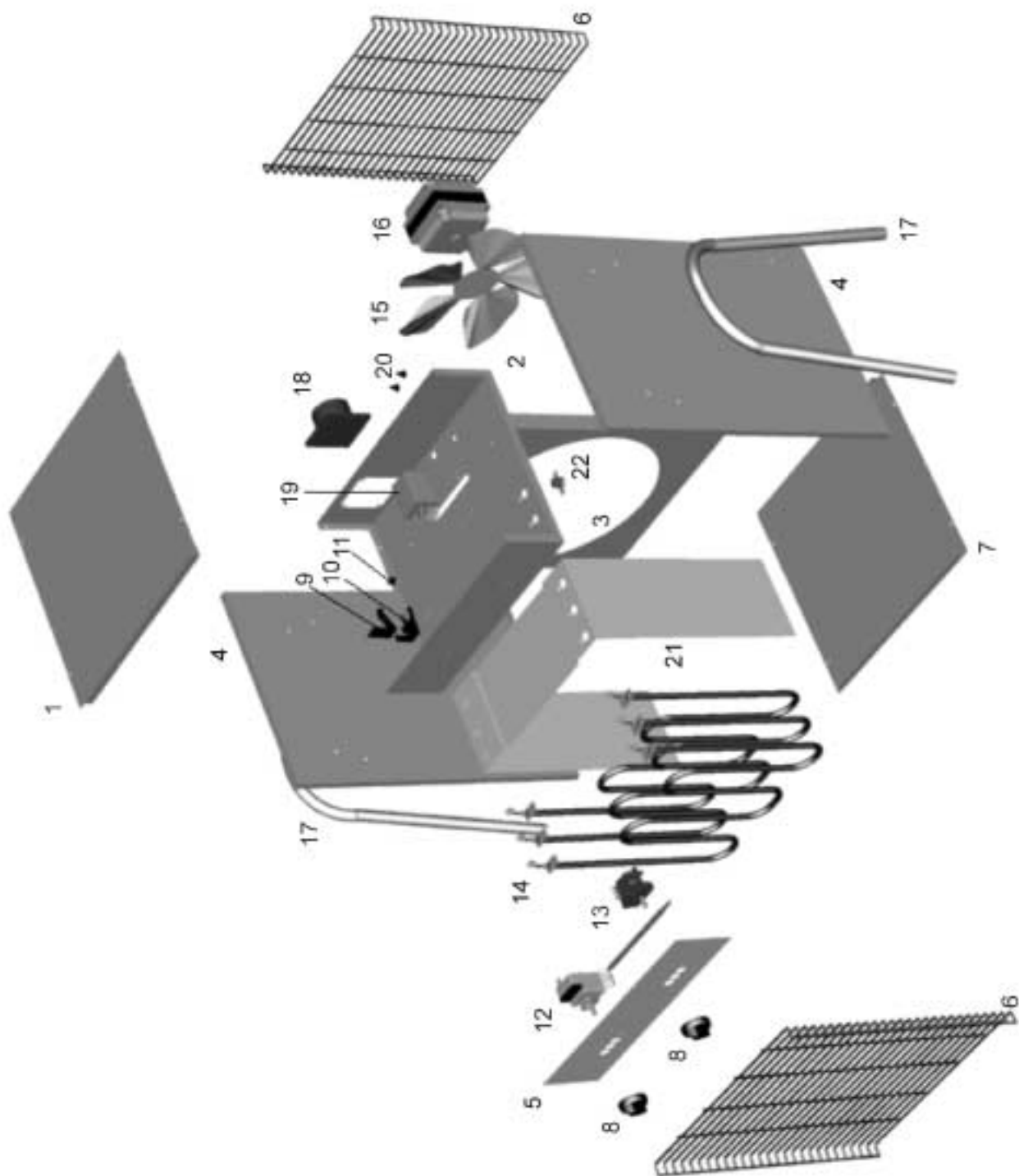
<b>Pos.</b>	<b>Description</b>	<b>Code NR</b>
1	TOP COVER	4165.000
2	CONTROL BASE	4165.001
3	DEFLECTOR	4165.002
4	SIDE PANELS	4165.003
5	FRONT PANEL	4165.004
6	GRILL	4165.005
7	BOTTOM PANEL	4165.006
8	KNOB	4165.007
9	RESET LEVER	4165.008
10	TEMP LIMITER SUPPORT	4165.009
11	TEMP LIMITER	4165.010
12	THERMOSTAT	4165.011
13	SWITCH	4165.012
14	ELEMENT	4165.013
15	FAN	4165.014
16	ELECTRIC MOTOR	4161.331
17	POWER CORD	4165.016
18	CABLE RELIEF	4165.017
19	HANDLE	4160.715
20	SUPPORT	4165.019
21	OVERHEAT SENSOR	4165.020



**Spareparts MASTER ELECTRIC HEATERS B 3 IT**

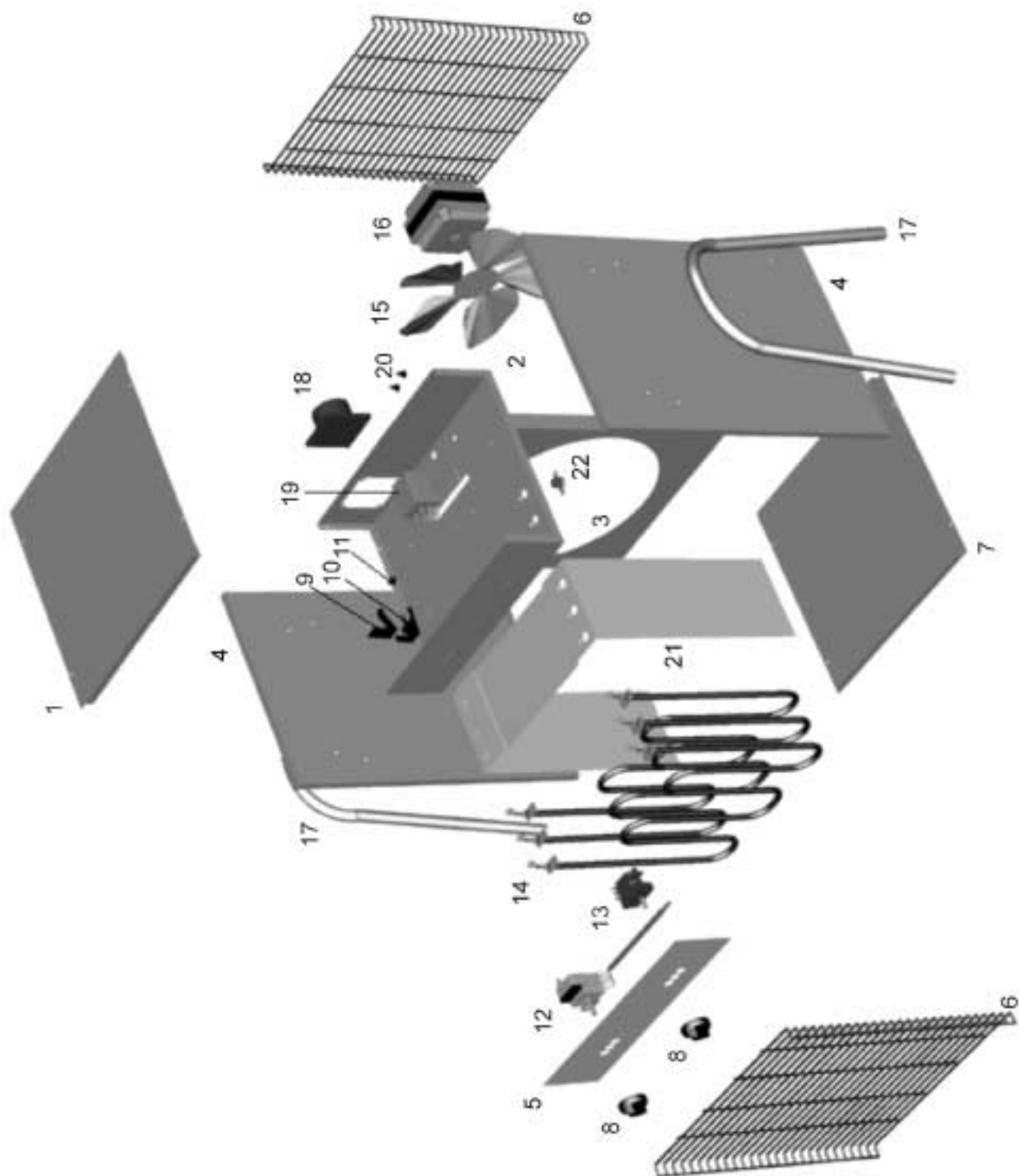
---

<b>Pos.</b>	<b>Description</b>	<b>Code NR</b>
1	COVER	4165.000
2	CONTROL BASE	4165.001
3	DEFLECTOR	4165.002
4	SIDE PANELS	4165.003
5	FRONT PANEL	4165.021
6	GRILL	4165.005
7	BOTTOM PANEL	4165.006
8	KNOB	4165.007
9	RESET LEVER	4165.008
10	TEMP LIMITER SUPPORT	4165.009
11	TEMP LIMITER	4165.022
12	THERMOSTAT	4165.011
13	SWITCH	4165.012
14	ELEMENT	4165.023
15	FAN	4165.014
16	ELECTRIC MOTOR	4161.331
17	POWER CORD	4165.024
18	CABLE RELIEF	4165.017
19	HANDLE	4160.715
20	SUPPORT	4165.019
21	OVERHEAT SENSOR	4165.020



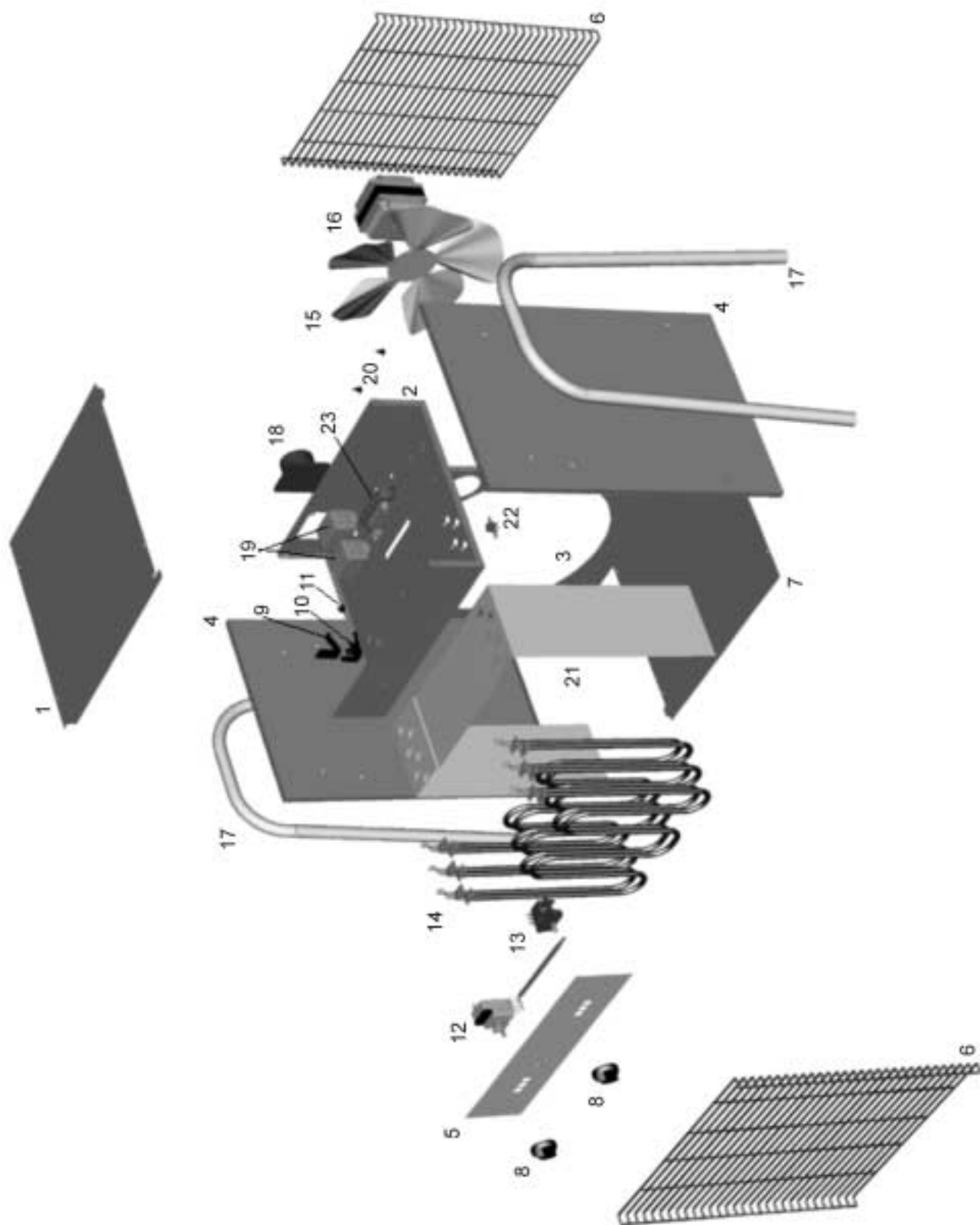
## Spareparts MASTER ELECTRIC HEATERS B 5 IT

<b>Pos.</b>	<b>Description</b>	<b>Code NR</b>
1	TOP COVER	4165.025
2	CONTROL BASE	4165.026
3	DEFLECTOR	4165.002
4	SIDE PANELS	4165.027
5	FRONT PANEL	4165.028
6	GRILL	4165.005
7	BOTTOM PANEL	4165.006
8	KNOB	4165.007
9	RESET LEVER	4165.008
10	TEMP LIMITER SUPPORT	4165.009
11	TEMP LIMITER	4165.010
12	THERMOSTAT	4165.029
13	SWITCH	4165.030
14	ELEMENT	4165.031
15	FAN	4165.014
16	ELECTRIC MOTOR	4165.032
17	HANDLE	4165.033
18	PLUG	4160.102
19	RELAY	4165.035
20	RUBBER SUPPORT	4165.036
21	SEPARATOR	4165.037
22	OVERHEAT SENSOR	4165.020



## Spareparts MASTER ELECTRIC HEATERS B 9 IT

<b>Pos.</b>	<b>Description</b>	<b>Code NR</b>
1	TOP COVER	4165.038
2	CONTROL BASE	4165.039
3	DEFLECTOR	4165.040
4	SIDE PANELS	4165.041
5	FRONT PANEL	4165.042
6	GRILL	4165.043
7	BOTTOM PANEL	4165.044
8	KNOB	4165.007
9	RESET LEVER	4165.008
10	TEMP LIMITER SUPPORT	4165.009
11	TEMP LIMITER	4165.010
12	THERMOSTAT	4165.029
13	SWITCH	4165.030
14	ELEMENT	4165.045
15	FAN	4165.046
16	ELECTRIC MOTOR	4165.047
17	HANDLE	4165.048
18	PLUG	4160.102
19	RELAY	4165.035
20	RUBBER SUPPORT	4165.036
21	SEPARATOR	4165.049
22	OVERHEAT SENSOR	4165.020



## Spareparts MASTER ELECTRIC HEATERS B 15 IT

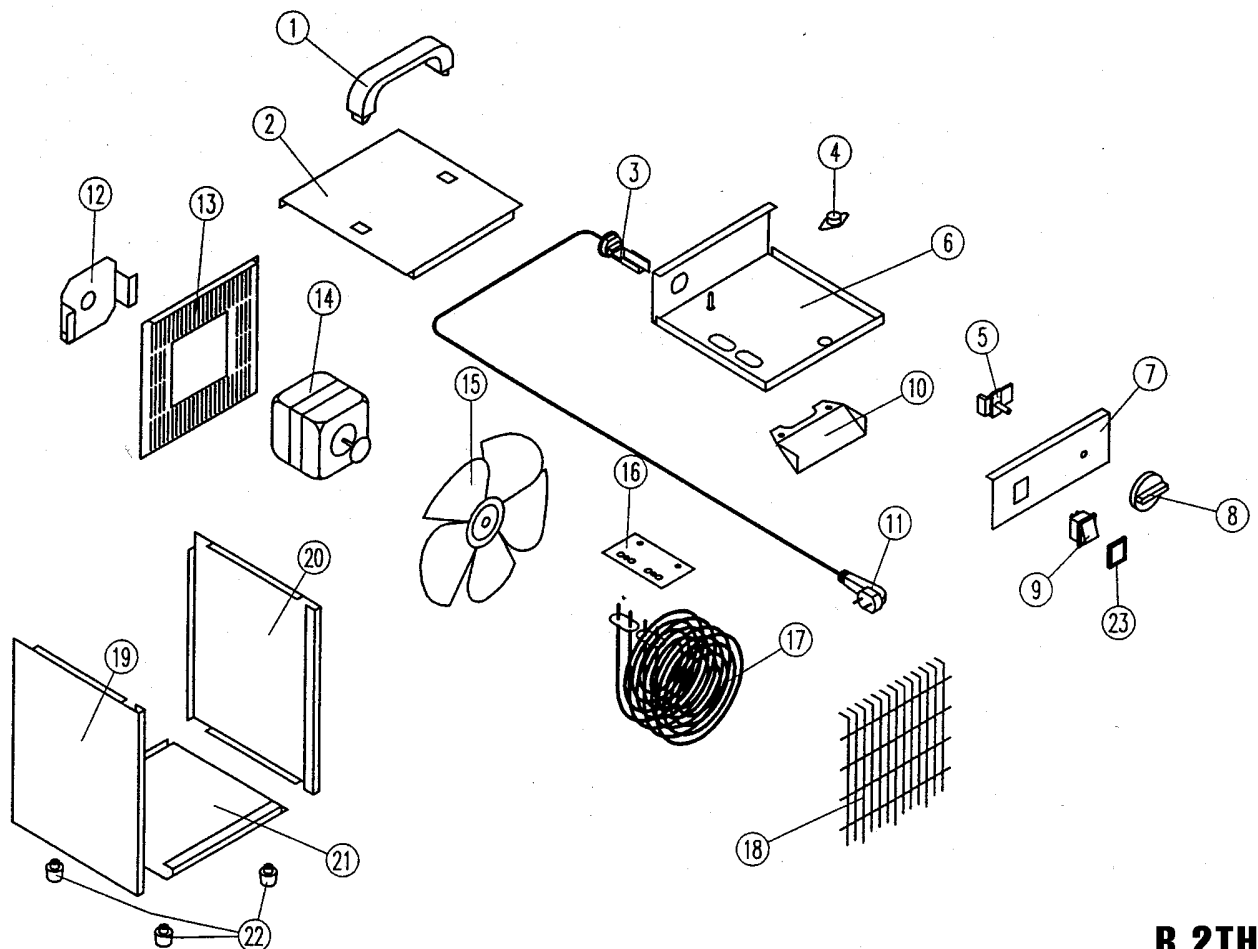
<b>Pos.</b>	<b>Description</b>	<b>Code NR</b>
1	TOP COVER	4165.050
2	CONTROL BASE	4165.051
3	DEFLECTOR	4165.052
4	SIDE PANELS	4165.053
5	FRONT PANEL	4165.054
6	GRILL	4165.055
7	BOTTOM PANEL	4165.056
8	KNOB	4165.007
9	RESET LEVER	4165.008
10	TEMP LIMITER SUPPORT	4165.009
11	TEMP LIMITER	4165.010
12	THERMOSTAT	4165.029
13	SWITCH	4165.030
14	ELEMENT	4165.057
15	FAN	4165.058
16	ELECTRIC MOTOR	4165.059
17	HANDLE	4165.060
18	PLUG	4160.103
19	RELAY	4165.035
20	RUBBER SUPPORT	4165.036
21	SEPARATOR	4165.061
22	OVERHEAT SENSOR	4165.020
23	TERMINAL BOARD	4165.062

## Spareparts MASTER ELECTRIC HEATERS

NR Vat	Description	Appropriate	Code NR
2	TOP COVER	B 2 TH	4160.209
3	MAINS-LEAD	B 2 TH	4160.208
4	TEMP. LIMIT	B 2 TH	4160.207
5	THERMOSTAT	B 2 TH	4160.198
8	KNOB	B 2 TH	4160.200
9	ELECTRIC SWITCH	B 2 TH	4160.193
14	MOTOR	B 2 TH	4160.201
15	FAN	B 2 TH	4160.220
16	INSULAT. PLATE	B 2 TH	4160.221
17	ELEMENT	B 2 TH	4160.222

### MODEL B 2 TH

### ILLUSTRATED PARTS BREAKDOWN



**B 2TH**



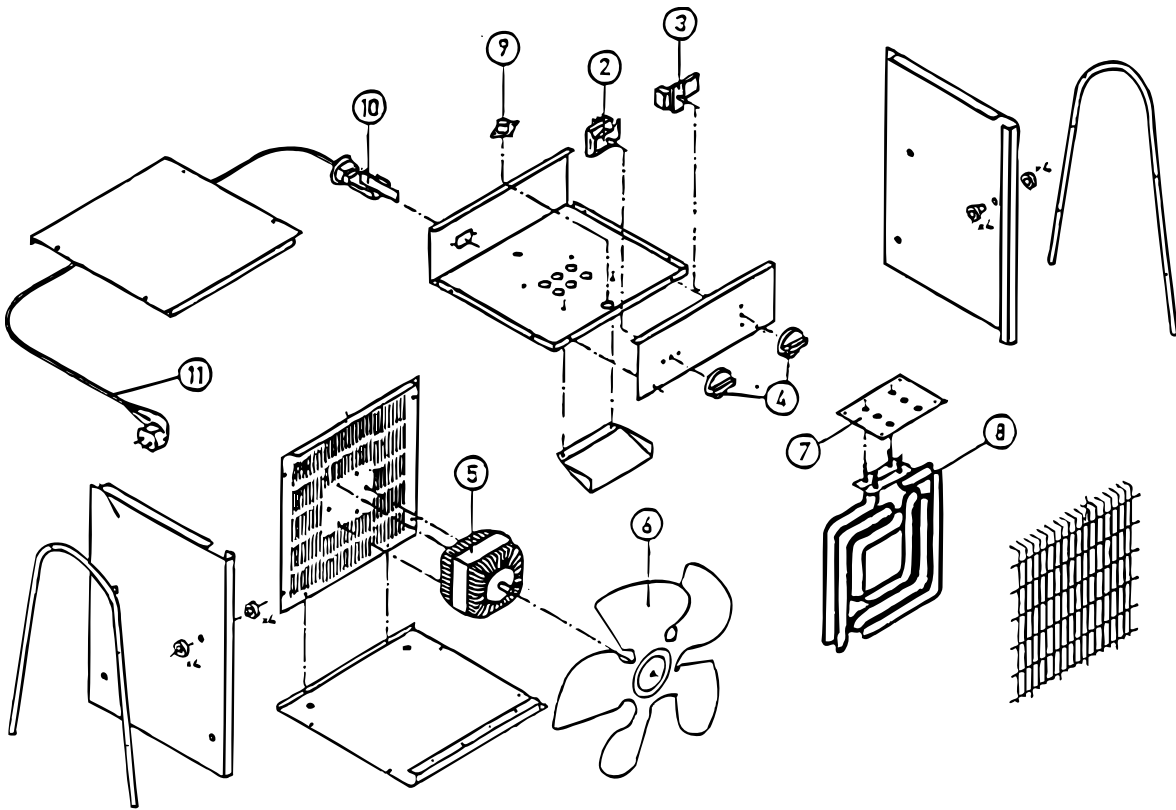
## Spareparts MASTER ELECTRIC HEATERS

Description	Appropriate	Master NR	Code NR
1 PLUG	B 5 + B 9 TH	5 P-MALE, 16A	4160.102
1 PLUG	B 15 TH	4 P-MALE, 32A	4160.101
1 PLUG	B 15 TH	5 P-MALE, 32A	4160.103
1 PLUG	B 5+B 9 TH	4 P-MALE, 16A	4160.105
2 SWITCH	B 3-5 TH		4160.196
2 SWITCH	B 9-15 TH		4160.197
3 THERMOSTAT	B 3 TH		4160.198
3 THERMOSTAT	B 5-15 TH		4160.199
3 THERMOSTAT KIT	B 15 TH		4160.218
4 KNOB	B 3-15 TH		4160.200
5 MOTOR	B 3 TH		4160.201
5 MOTOR	B 5 TH		4160.202
5 MOTOR	B 9-15 TH		4160.203
6 FAN	B 3-5 TH		4160.064
6 FAN	B 9 TH		4160.066
6 FAN	B 15 TH		4160.067
7 INSULAT. PLATE	B 3 TH		4160.217
7 INSULAT. PLATE	B 5TH		4160.216
7 INSULAT. PLATE	B 9 TH		4160.215
7 INSULAT. PLATE	B 15 TH		4160.214
8 ELEMENT	B 3-5 TH		4160.204
8 ELEMENT	B 9 TH		4160.205
8 ELEMENT	B 15TH		4160.206
9 TEMP.LIMIT	B 2 TH/B 3 TH		4160.207
10 CABLE RELIEF	B 3 TH		4160.208
12 TOP COVER	B 3-5 TH		4160.210
12 TOP COVER	B 9 TH		4160.211
12 TOP COVER	B 15 TH		4160.212
CONNECTION FAN	B 3-15 TH		4150.717
HANDLE	B 9 TH		4160.235
FUSE 4 AMP.	B 15 TH		4160.213
FRONT GRILL	B 3-5 TH		4160.232
FRONT GRILL	B 9 TH		4160.233
FRONT GRILL	B 15 TH		4160.234
<b>TS-3 SPAREPARTS:</b>			
2 ROCKER SWITCH	TS-3		4160.301
3 NEON INDICATOR	TS-3		4160.302
5 STRAIN RELIEF			
BUSH	TS-3		4160.303
11 CERAMIC	TS-3		4160.300
EMITTER			
<b>HAL 3000/3000E SPAREPARTS:</b>			
LAMP 1.5 KW	HAL 3000/3000E		4160.350
CONNECTOR	HAL 3000/3000E		4160.351
FUSE HOLDER	HAL 3000/3000E		4160.352
FUSE	HAL 3000/3000E		4160.353

Spareparts MASTER ELECTRIC HEATERS

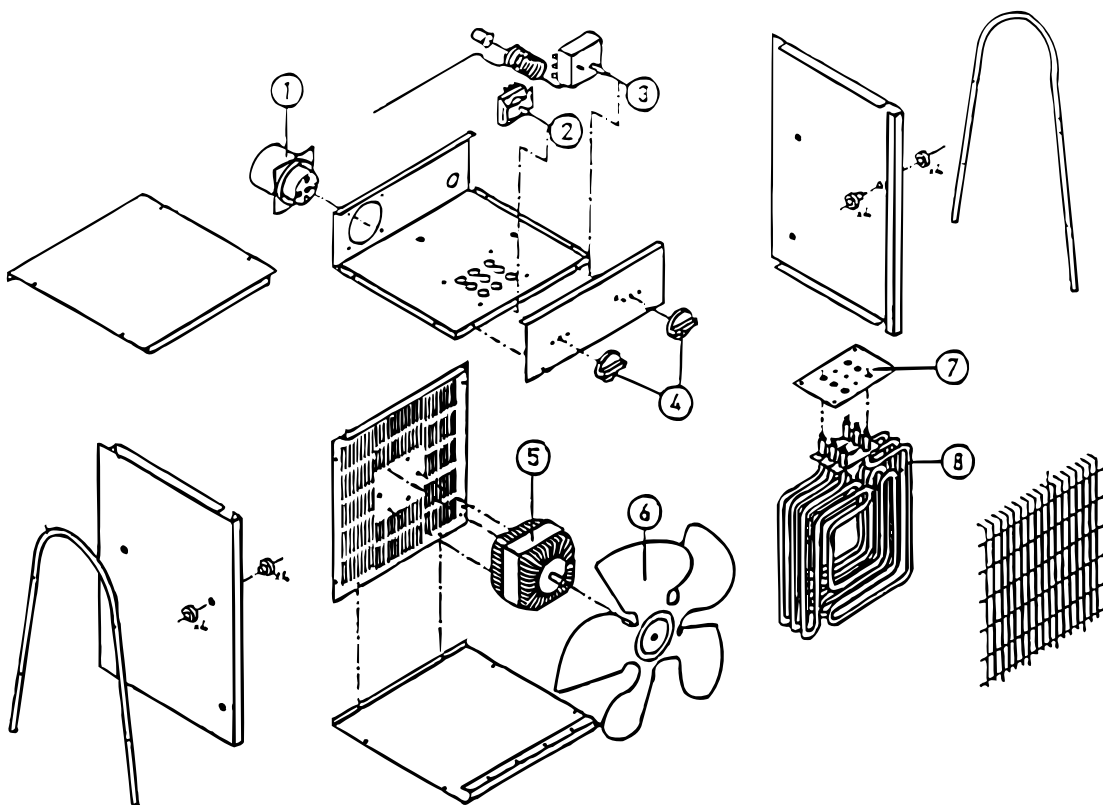
MODEL B 3 TH

ILLUSTRATED PARTS BREAKDOWN



MODEL B 5 TH

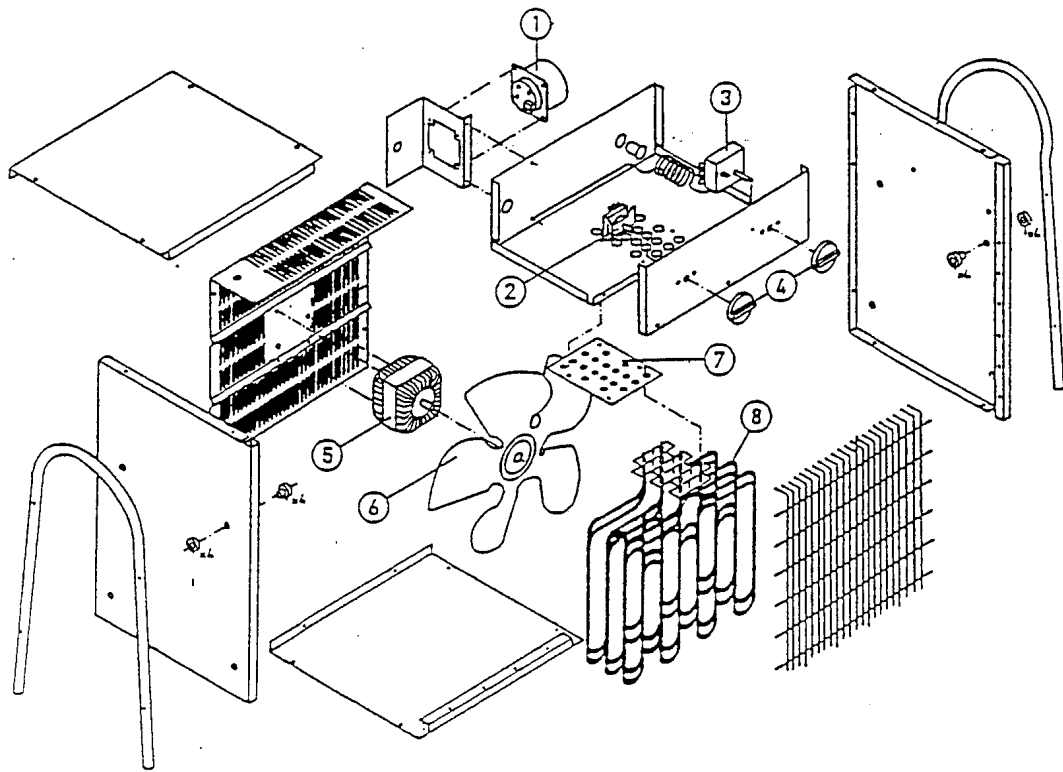
ILLUSTRATED PARTS BREAKDOWN



# Spareparts MASTER ELECTRIC HEATERS

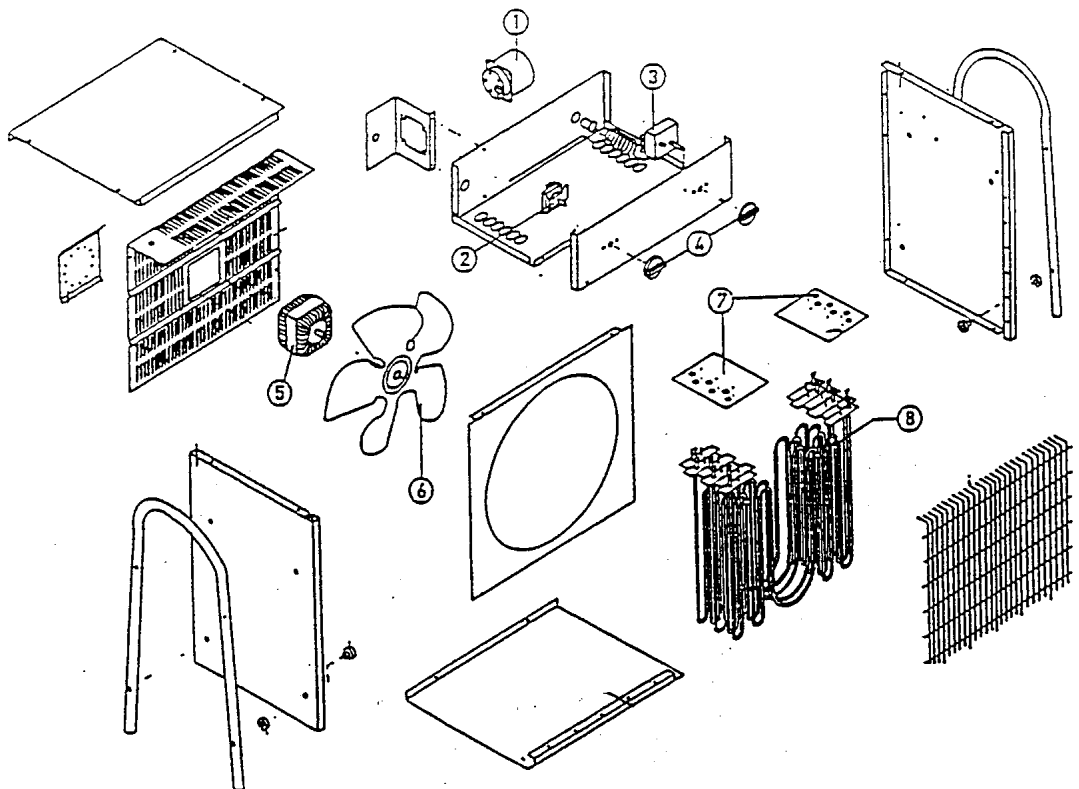
## MODEL B 9 TH

## ILLUSTRATED PARTS BREAKDOWN



## MODEL B 15 TH

## ILLUSTRATED PARTS BREAKDOWN



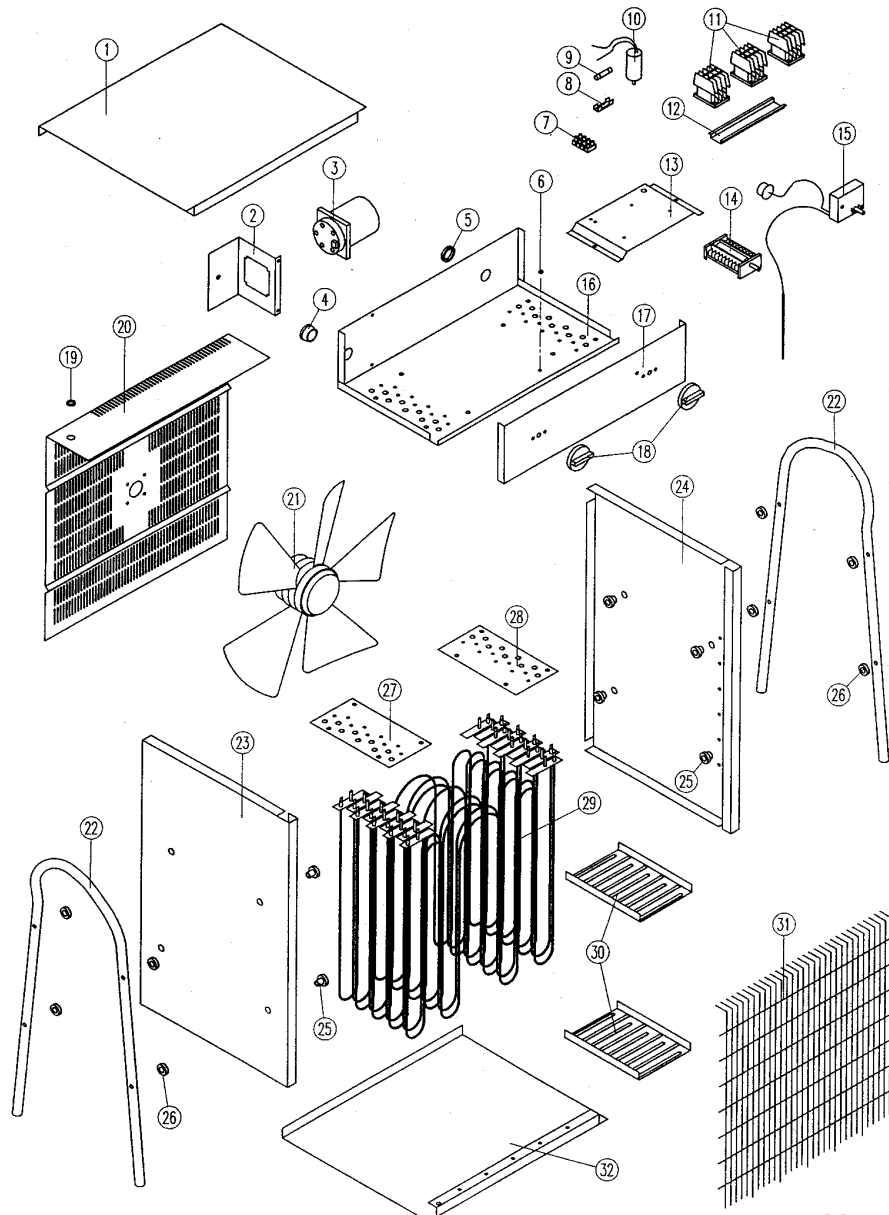


## Spareparts MASTER ELECTRIC HEATERS

NR Vat	Description	Appropriate	Code NR
3	PLUG	B 22 TH	4160.103
9	FUSE	B 22 TH	4160.213
10	CAPACITOR	B 22 TH	4160.236
11	CONTACTOR	B 22 TH	4160.407
14	SWITCH	B 22 TH	4160.223
15	THERMOSTAT	B 22 TH	4160.199
18	KNOB	B 22 TH	4160.200
20	REAR GRILL		4160.230
21	MOTOR+FAN	B 22 TH	4160.225
22	HANDLE	B 22 TH	
27	INSULAT. PLATE L.	B 22 TH	4160.228
28	INSULAT. PLATE R.	B 22 TH	4160.231
29	ELEMENT	B 22 TH	4160.227
32	BASE	B 22 TH	4160.229

### MODEL B 22 TH

### ILLUSTRATED PARTS BREAKDOWN



1:10

**B 22TH**

**MASTER ELECTRIC HEATERS BS 10 E / BS 15 E**

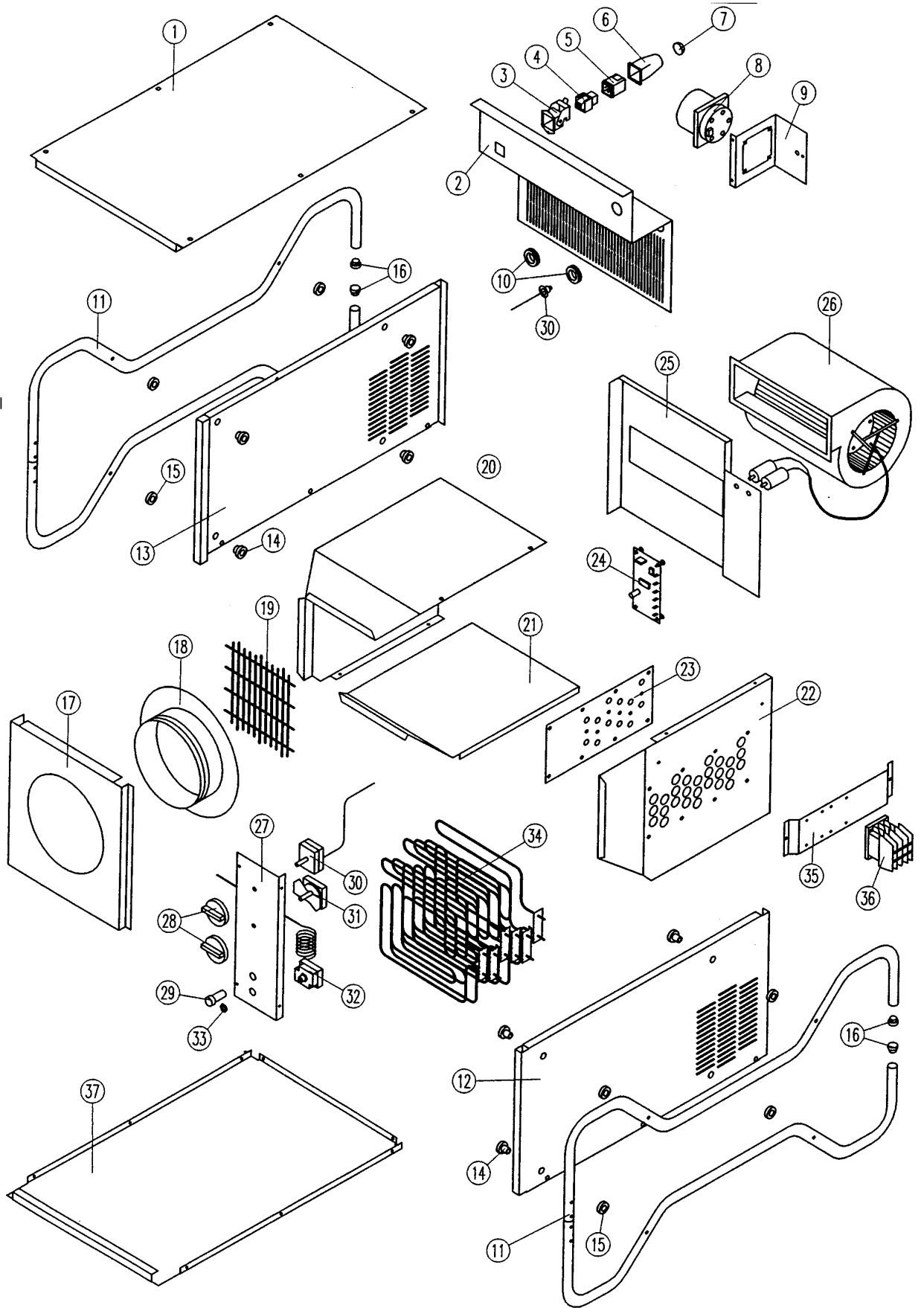
---

<b>Fabr. NR.</b>	<b>Description</b>	<b>Appropriate</b>	<b>Code NR</b>
03	PLUG FEMALE TH.	BS 10 E/ BS 15 E	4160.400
04	CHASSIS FEMALE	BS 10 E/ BS 15 E	4160.401
05	PLUG MALE	BS 10 E/ BS 15 E	4031.087
08	PLUG 16A-5POL	BS 10 E	4160.102
08A	PLUG 32A-5POL	BS 15 E	4160.103
24	PC-BOARD	BS 10 E/ BS 15 E	4160.402
26	FAN MOTOR	BS 10/ BS 15 E	4160.403
28	KNOB	BS 10 E/ BS 15 E	4160.200
29	LAMP	BS 10 E/ BS 15 E	4160.404
30	THERMOSTAT	BS 10 E/ BS 15 E	4160.405
31	SWITCH	BS 10 E/ BS 15 E	4160.197
32	SAFETY THERM.	BS 10 E/ BS 15 E	4160.406
34	ELEMENT	BS 10/15 E	4160.204
36	CONTACTOR	BS 10/15 E	4160.407

MASTER ELECTRIC HEATERS BS 10E / BS 15E

MODEL BS 10/15 E

ILLUSTRATED PARTS BREAKDOWN



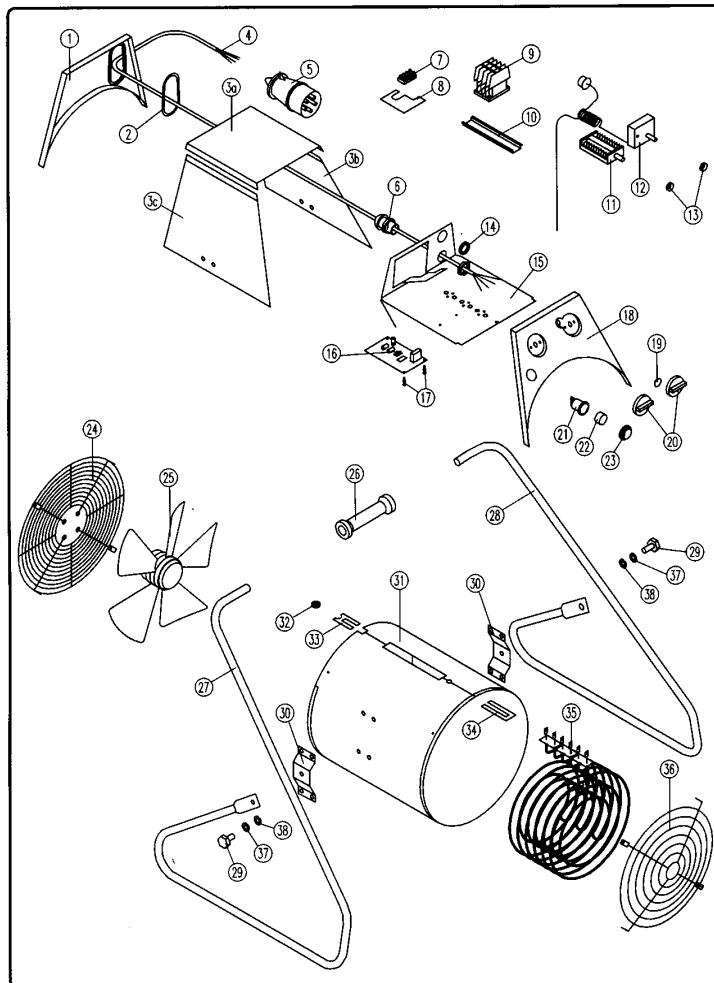
## Spareparts MASTER ELECTRIC HEATERS

Description	Appropriate	Master NR	Code NR
BACKGRILL	B 9 TH B		4160.097
BRACKET ASS.	B 12 E		4160.094
ELEMENT 2 KW	B 2 E	2KW-220 V.	4160.002
ELEMENT 2 KW	B 6 E	2KW-220 V.	4160.017
ELEMENT 2 KW	B 12 E	2KW-220 V.	4160.018
ELEMENT 3 KW	B 18 E	3KW-220 V.	4160.019
ELEMENT 3 KW	B 3 TH B*	2 X 1500 W	4160.058
ELEMENT 9 KW	B 9 TH B*	6 X 1500 W	4160.061
ELEMENT 15 KW	B 15 TH B*	6 X 2500 W	4160.062
FAN	B 2 E		4160.003
FAN	B 12 E	17802930	4160.066
FRONT GRILL	B 9 TH B		4160.096
KNOB	B 9 TH B	18508004	4160.098
MOTOR	B 2 E		4160.001
MOTOR	B 3 E	AA 2M 5848K	4160.005
MOTOR	B 6 E	AA 2M 5849K	4160.009
MOTOR ROUND	B 12 E	AA 2R 5683K	4160.011 / 4160.203
MOTOR ROUND	B 18 E	CA 2J 5770K	4160.014
MOTOR	B 3 TH B*	82D-1305/06	4160.078
MOTOR	B2-TH	17801006	
MOTOR BRACKET	B 9 TH B		4160.104
PLUG	B 18 E	34 AMP/4 PIN	4160.036
PLUG-CONTRA	B 15 TH	5 P-FEMALE, 32A	4160.099
PLUG-CONTRA	B 5/9 TH	5 P-FEMALE, 16A	4160.100
SWITCH	B 2 E	16 A/250 V.	4160.008
STAND	B 9 TH B		4160.108
SWITCH	B 6E RA68-LLL	F1 05/417.0200	4160.010
SWITCH	B 12 E	F1 05/407.0200	4160.013
SWITCH	B 18 E	F1 56/407.0400	4160.016
SWITCH	B 3 E		4160.024
SWITCH	B 3 TH B*	3031/4A	4160.075
SWITCH	B 2 TH	17110022	4160.193
THERMAL SWITCH	B 5 + 9 TH B*	55.32522.22	4160.069
THERMOSTAT	B 6E/BL2E	TH-4A	4160.025
THERMOSTAT	B 18 E	TH-4B	4160.030
THERMOSTAT	B 3+B 15 TH B*	55.13001.060	4160.072
THERMOSTAT	B 5+B 9 TH B*	55.34001.110	4160.073
WIRINGSET ASS.	B 12 E		4160.035
WIRINGSET	B 9 TH B		4160.106
* TH-B* =	KNOPPEN OP ACHTERPANEEL KNOBS ON BACKSIDE-PANEL KNOPFEN AM HINTEN-PANEL GEEN TEKENINGEN BESCHIKBAAR NO EXPLODED VIEWS AVAILABLE KEINE EXPLOSIONS ZEICHNUNGEN ZUR VERFUGUNG		

## Spareparts MASTER ELECTRIC HEATERS B 6 IT and B 10 IT

Item	Description	Appropriate	Master NR
5	POWERPLUG 16A 5P	B 6/10 IT	4160.102
6	CABLE RELIEF	B 6/10 IT	4160.453
7	SOCKET	B 6/10 IT	4160.454
9	CONTACTOR	B 6/10 IT	4160.407
11	SWITCH	B 6/10 IT	4160.223
12	SAFETY THERMOSTAT	B 6/10 IT	4160.199
16	PC-BOARD	B 6/10 IT	4160.455
17	SUPPORT PC-BOARD	B 6/10 IT	4160.456
20	KNOB	B 6/10 IT	4160.200
21	PRESS BUTTON	B 6/10 IT	4160.457
25	MOTOR WITH FAN	B 6/10 IT	4160.458
26	HANDLE	B 6/10 IT	4160.451
27	LEFT PIPE HANDLE	B 6/10 IT	4160.459
28	RIGHT PIPE HANDLE	B 6/10 IT	4160.460
33	SHORT LOCK CLIP	B 6/10 IT	4160.461
34	LONG LOCK CLIP	B 6/10 IT	4160.462
35	HEAT ELEMENT	B 6 IT 3X	4160.463
35	HEAT ELEMENT	B 10 IT 4X	4160.464
36	HEAT ELEMENT	B 10 IT LX	4160.465
36/37	FRONT GRILL	B 6/10 IT	4160.466
	WALL BRACKET	B 6/10 IT	4160.450

## MASTER ELECTRIC HEATERS B 6 IT and B 10 IT ILLUSTRATED PARTS BREAKDOWN

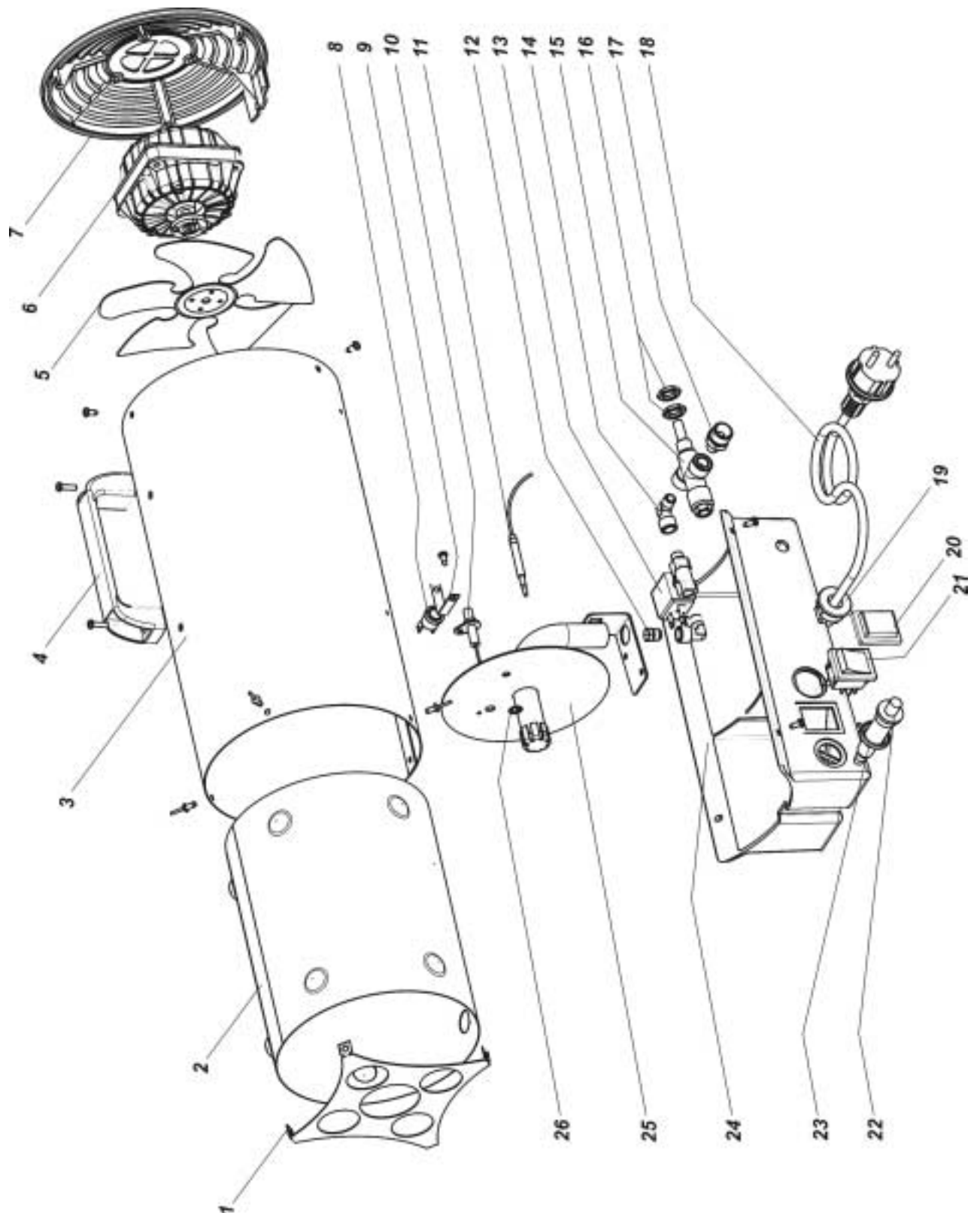




# MASTER PROPANE GASHEATERS

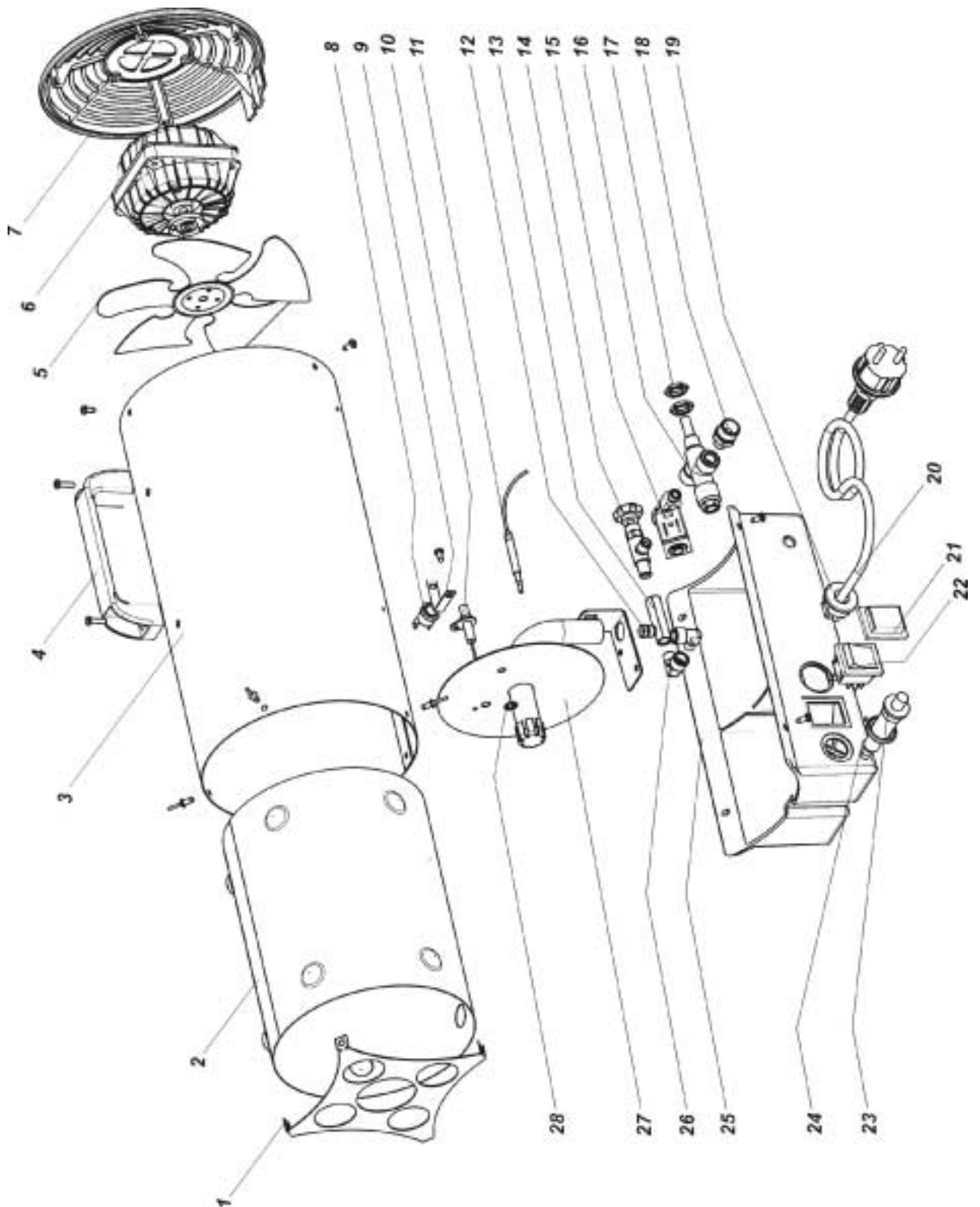






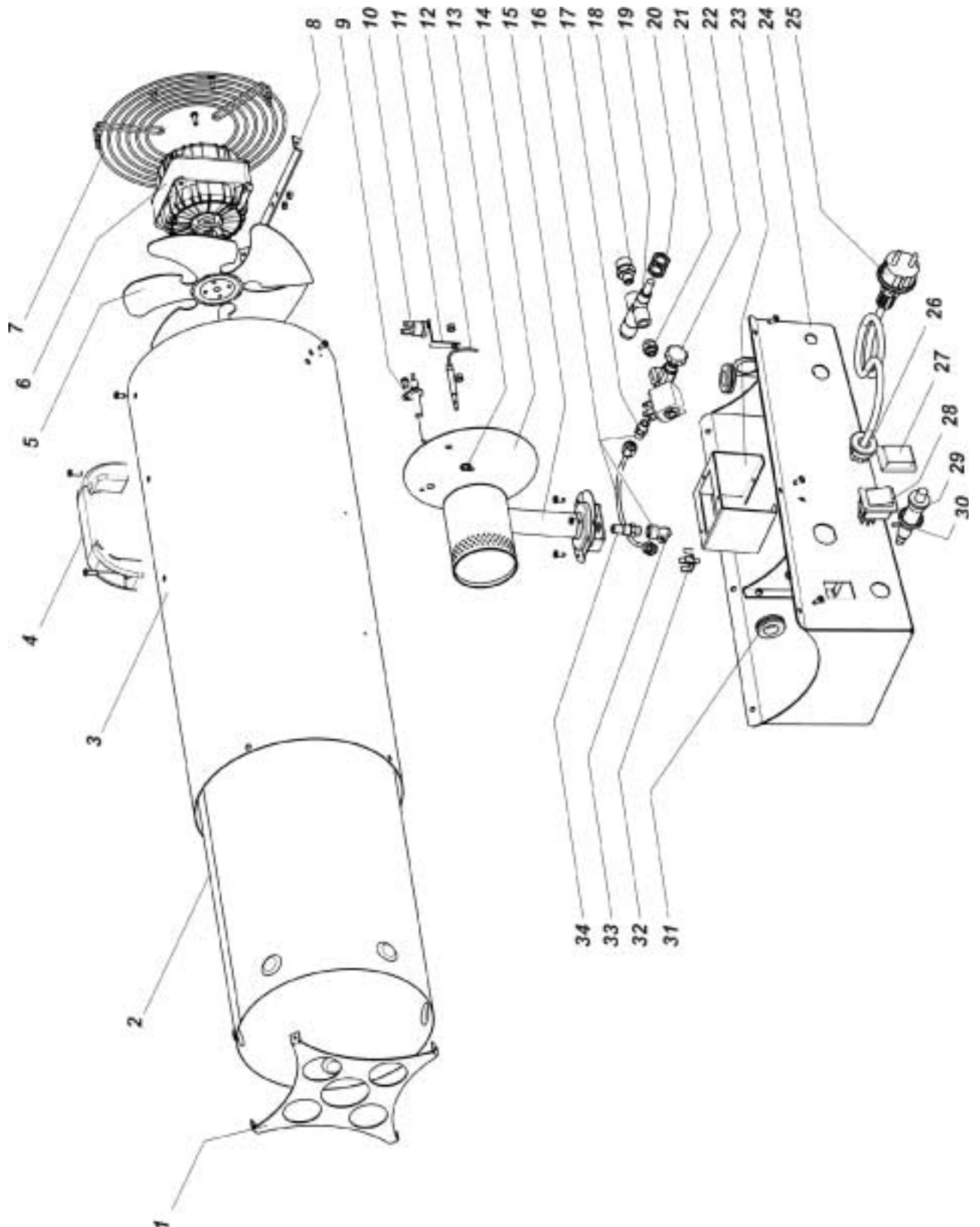
## Spareparts MASTER MANUAL GAS HEATERS 10 kW

Pos.	Code NR	Description
1	4160.714	OUTLET GRID
2	4161.336	COMBUSTION CHAMBER
3	4160.918	YELLOW COVER RAL 1006
4	4160.715	PLASTIC HANDLE
5	4160.689	FAN Ø172 19°
6	4160.628	ELECTRIC MOTOR 29 W 230/50-60HZ IP44
7	4160.713	PLASTIC GRID
8	4160.636	SAFETY THERMOSTAT
9	4160.708	SUPPORT FOR THERMOSTAT
10	4160.707	IGNITION ELETTRICAL FOLDER
11	4160.654	INTERRUPTED THERMOCOUPLE
12	4160.746	GAS NOZZLE
13	4160.655	ELECTRO VALVE
14	4160.620	90° DEGREE ELBOW 1/8°
15	4160.653	SAFETY GAS VALVE
16	4160.701	RING NUT M12X0,75
17	4160.700	GAS INLET 3/8 M - 1/8 M
18	4160.733	ELECTRIC CABLE
19	4160.635	KEEPER WIRE DEVICE
20	4160.638	COVER SWITCH
21	4160.637	SWITCH
22	4160.641	PIEZO IGNITOR
23	4160.640	ADAPTER FOR PIEZO IGNITOR
24	4160.699	PLASTIC BASE
25	4160.702	GAS BURNER
26	4160.627	ELASTIC WASHER



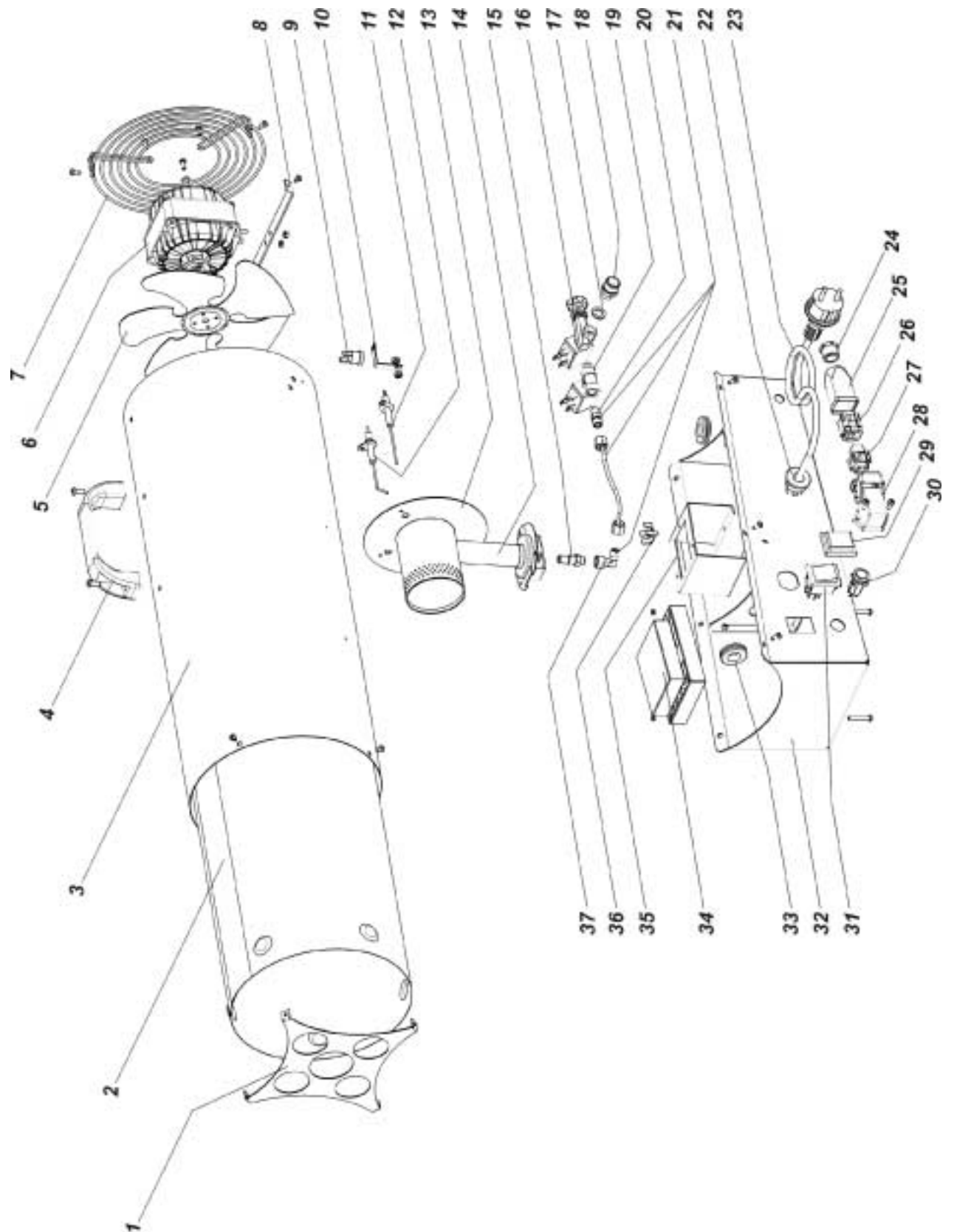
## Spareparts MASTER MANUAL GAS HEATERS 15 kW Reg.

Pos.	Code NR	Description
1	4160.714	OUTLET GRID
2	4161.372	COMBUSTION CHAMBER
3	4160.921	YELLOW COVER RAL 1006
4	4160.715	PLASTIC HANDLE
5	4160.689	FAN Ø172 19°
6	4160.628	ELECTRIC MOTOR 29 W 230/50-60HZ IP44
7	4160.713	PLASTIC GRID
8	4160.636	SAFETY THERMOSTAT 90°
9	4160.708	SUPPORT FOR THERMOSTAT
10	4160.707	IGNITION ELETTRICAL FOLDER
11	4160.654	INTERRUPTED THERMOCOUPLE
12	4160.746	GAS NOZZLE
13	4160.742	EXTENSION
14	4160.675	COCK
15	4160.655	ELECTRO VALVE
16	4160.653	SAFETY GAS VALVE
17	4160.701	RING NUT M12X0,75ER
18	4160.700	GAS INLET NOZZLE 3/8 M - 1/8 M
19	4160.635	KEEPER WIRE DEVICE
20	4160.733	ELECTRIC CABLE
21	4160.638	COVER SWITCH
22	4160.637	SWITCH
23	4160.641	PIEZO IGNITOR
24	4160.640	ADAPTER FOR PIEZO IGNITOR
25	4160.760	PLASTIC BASE
26	4160.620	90° DEGREE ELBOW 1/8"
27	4160.702	GAS BURNER
28	4160.627	ELASTIC WASHER



## Spareparts MASTER MANUAL GAS HEATERS 30 kW

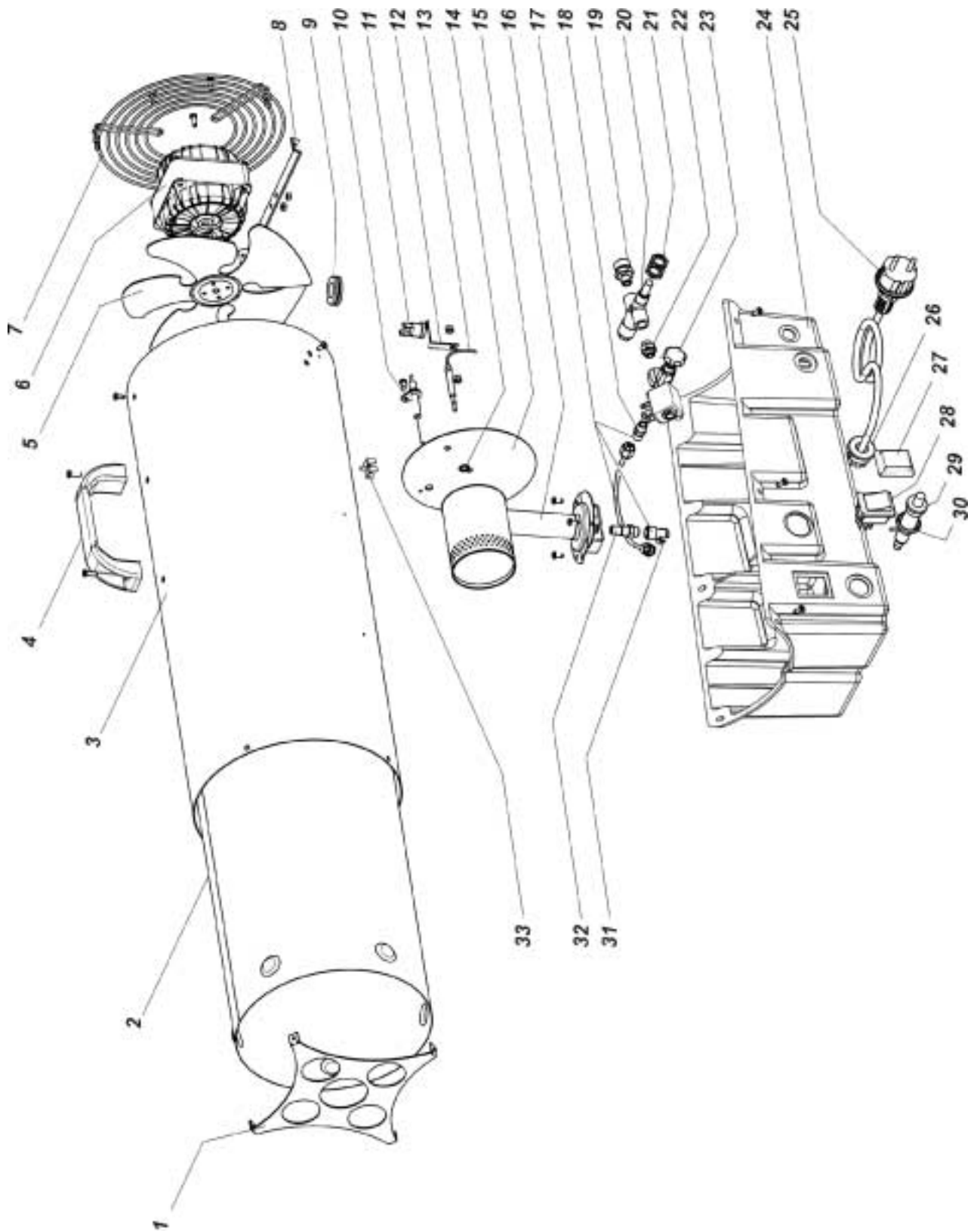
Pos.	Code NR	Description
1	4160.764	OUTLET GRID
2	4161.373	COMBUSTION CHAMBER
3	4161.027	YELLOW COVER RAL 1006
4	4160.715	PLASTIC HANDLE
5	4160.690	FAN Ø200 19°
6	4160.629	ELECTRIC MOTOR 80 W 230-240/50HZ IP44
7	4160.784	INLET
8	4161.010	SUPPORT ELECTRIC MOTOR
9	4160.731	IGNITION ELETTRICAL FOLDER
10	4160.636	SAFETY THERMOSTAT 90°
11	4160.708	SUPPORT FOR THERMOSTAT
12	4160.654	INTERRUPTED THERMOCOUPLE
13	4160.627	ELASTIC WASHER
14	4160.726	PLATE BURNER
15	4160.687	GAS BURNER
16	4160.724	COPPER EXTENDIN
17	4160.623	NOZZLE 1/8"
18	4160.700	GAS INLET NOZZLE 3/8 M - 1/8 M
19	4160.653	SAFETY GAS VALVE
20	4160.701	RING NUT M12X0,75
21	4160.968	NOZZLE 1/8"
22	4160.660	GAS COCK WITH ELECTRO-VALVE
23	4160.782	SUPPORT BURNER
24	4160.778	BASE
25	4160.733	ELECTRIC CABLE
26	4160.635	KEEPER WIRE DEVICE
27	4160.638	COVER SWITCH
28	4160.637	SWITCH
29	4160.641	PIEZO IGNITOR
30	4160.640	ADAPTER FOR PIEZO IGNITOR
31	4160.646	GROMMET 16-30-22
32	4160.639	RIVET POP
33	4160.621	OGIVA 90°
34	4160.722	GAS NOZZLE Ø1,15



Cod. 4161.134

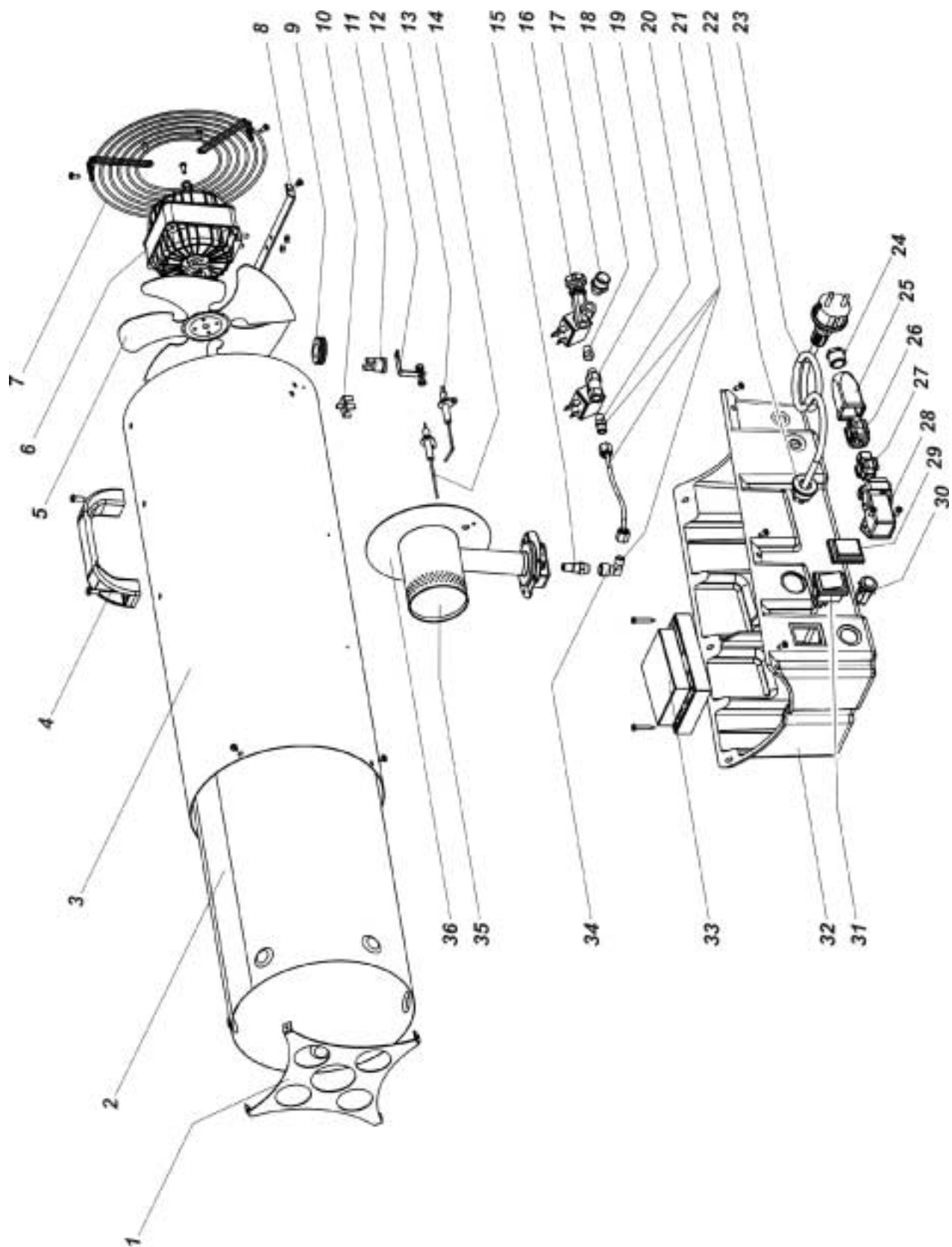
## Spareparts MASTER MANUAL GAS HEATERS 30 kW E

Pos.	Code NR	Description
1	4160.764	OUTLET
2	4161.373	COMBUSTION
3	4161.027	YELLOW COVER RAL 1006
4	4160.715	PLASTIC HANDLE
5	4160.690	FAN Ø200 19°
6	4160.629	ELECTRIC MOTOR 80 W 230-240/50HZ IP44
7	4160.784	INLET GRID
8	4161.010	SUPPORT ELECTRIC MOTOR
9	4160.636	SAFETY THERMOSTAT
10	4160.708	SUPPORT FOR THERMOSTAT
11	4160.632	FLAME PROBE
12	4161.248	IGNITION ELETTRICAL FOLDER
13	4160.752	PLATE BURNER
14	4160.687	GAS BURNER
15	4160.722	GAS NOZZLE Ø1,15
16	4160.660	GAS COCK WITH ELECTRO-VALVE
17	4160.614	PLAIN WASHER M10
18	4160.700	GAS INLET NOZZLE 3/8 M - 1/8 M
19	4160.655	ELECTROVALVE
20	4160.623	NOZZLE 1/8"
21	4160.724	COPPER EXTENDIN VALVOLE-NOZZLE
22	4160.635	KEEPER WIRE DEVICE PA 107
23	4160.733	ELECTRIC CABLE
24	4160.651	KEEPER WIRE DEVICE
25	4160.648	COMPLETE PLUG IN
26	4160.650	CONNEXION PLUG 5 PIN
26	4161.401	CONNEXION PLUG 4 PIN
27	4160.649	CONNEXION SOCKET 5 PIN
27	4161.400	CONNEXION SOCKET 4 PIN
28	4160.647	ANGULAR FIX CASE
29	4160.638	COVER SWITCH
30	4161.058	LIGHT SWITCH
31	4161.057	SWITCH
32	4161.075	BASE
33	4160.646	GROMMET 16-30-22
34	4161.004	ELECTRONIC PC BOARD FOR GAS
35	4160.782	SUPPORT BURNER
36	4160.639	RIVET POP
37	4160.621	90° DEGREE ELBOW 1/8"



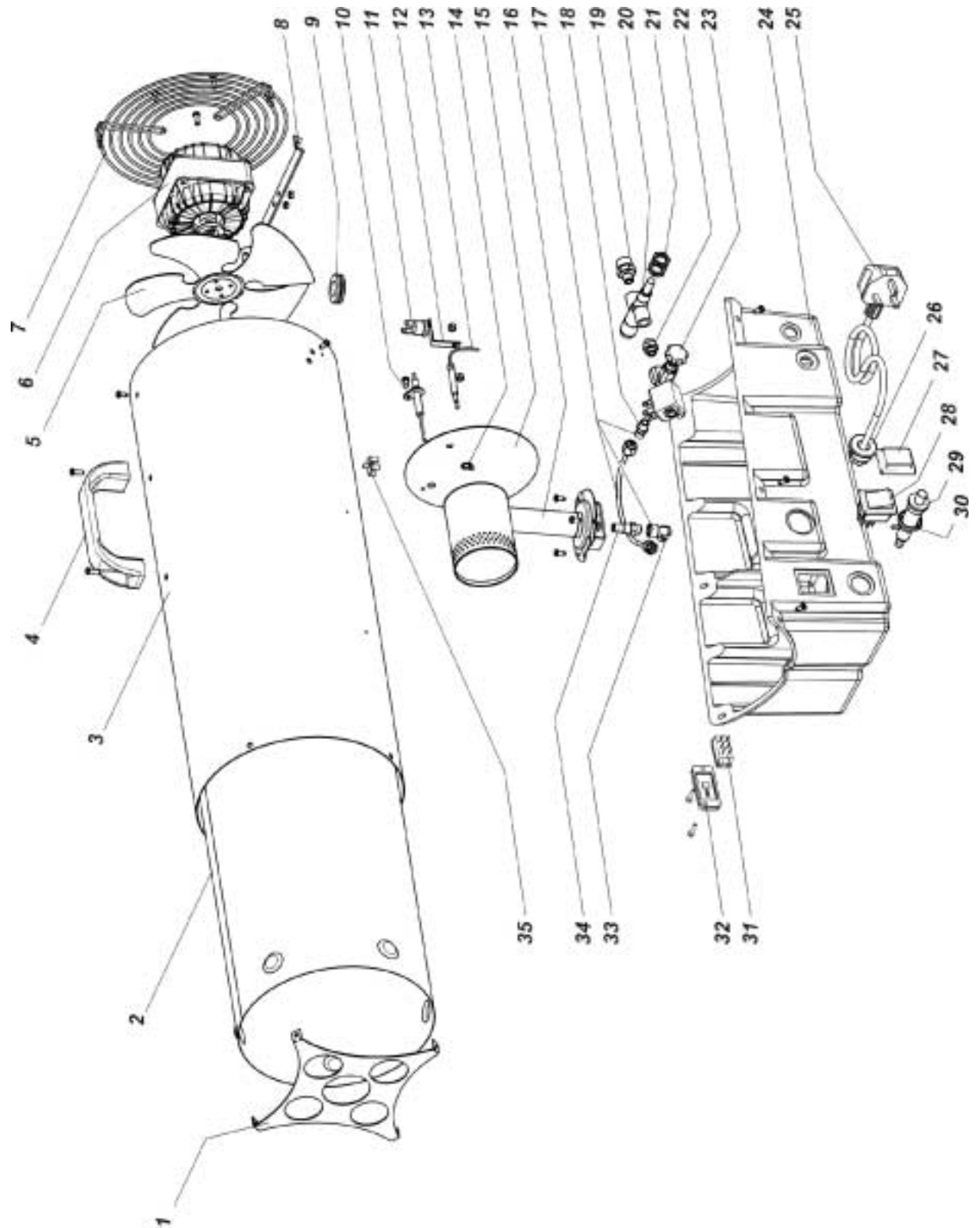
## Spareparts MASTER MANUAL GAS HEATERS 30 kW PB

Pos.	Code NR	Description
1	4160.764	OUTLET GRID
2	4161.373	COMBUSTION CHAMBER
3	4161.468	YELLOW COVER RAL 1006
4	4160.715	PLASTIC HANDLE
5	4160.690	FAN Ø200 19°
6	4160.629	ELECTRIC MOTOR 80 W 230-240/50HZ IP44
7	4160.784	INLET GRID
8	4161.010	SUPPORT ELECTRIC MOTOR
9	4160.646	GROMMET 16-30-22
10	4160.731	IGNITION ELETTRICAL FOLDER
11	4160.636	SAFETY THERMOSTAT 90°
12	4160.708	SUPPORT FOR THERMOSTAT
13	4160.654	INTERRUPTED THERMOCOUPLE
14	4160.627	ELASTIC WASHER
15	4160.726	PLATE BURNER
16	4160.687	GAS BURNER
17	4160.724	COPPER EXTENDIN VALVOLE-NOZZLE
18	4160.623	NOZZLE 1/8"
19	4160.700	GAS INLET NOZZLE 3/8 M - 1/8 M
20	4160.653	SAFETY GAS VALVE
21	4160.701	RING NUT M12X0,75
22	4160.968	NOZZLE 1/8"
23	4160.660	GAS COCK WITH ELECTRO-VALVE
24	4160.721	PLASTIC BASE
25	4160.733	ELECTRIC CABLE
26	4160.635	KEEPER WIRE DEVICE PA 107
27	4160.638	COVER SWITCH
28	4160.637	SWITCH
29	4160.641	PIEZO IGNITOR
30	4160.640	ADAPTER FOR PIEZO IGNITOR
31	4160.621	90° DEGREE ELBOW 1/8"
32	4160.722	GAS NOZZLE Ø1,15
33	4160.639	RIVET POP



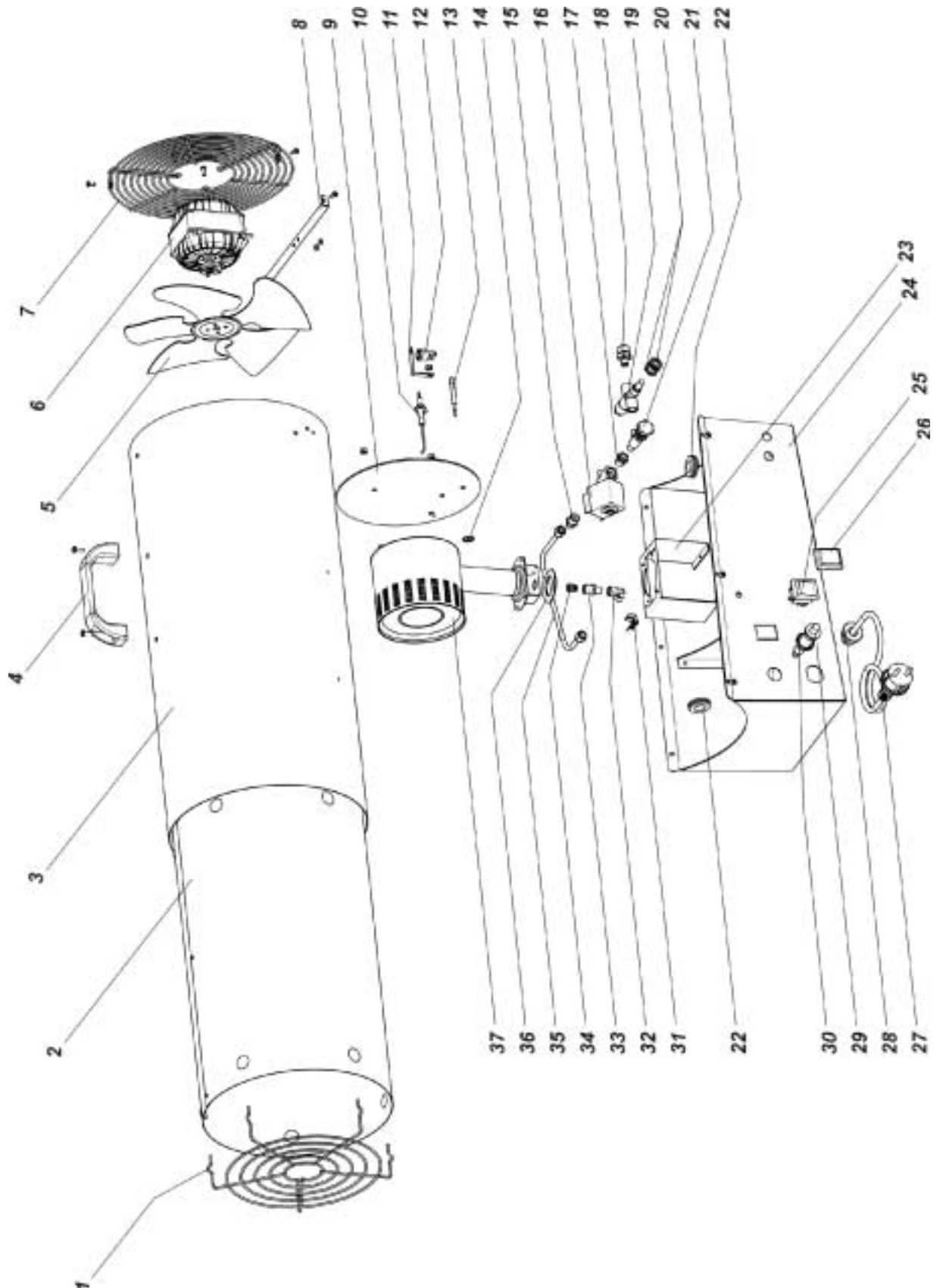
## Spareparts MASTER MANUAL GAS HEATERS 30 kW E PB

Pos.	Code NR	Description
1	4160.764	OUTLET GRID
2	4161.373	COMBUSTION CHAMBER
3	4161.468	YELLOW COVER RAL 1006
4	4160.715	PLASTIC HANDLE
5	4160.690	FAN Ø200 19°
6	4160.629	ELECTRIC MOTOR
7	4160.784	INLET GRID
8	4161.010	SUPPORT ELECTRIC MOTOR
9	4160.646	GROMMET 16-30-22
10	4160.639	RIVET POP
11	4160.636	SAFETY THERMOSTAT 90°
12	4160.708	SUPPORT FOR THERMOSTAT
13	4161.248	IGNITION ELETTRICAL FOLDER
14	4160.632	FLAME PROBE
15	4160.722	GAS NOZZLE Ø1,15
16	4160.660	GAS COCK WITH ELECTRO-VALVE
17	4160.700	GAS INLET NOZZLE 3/8 M - 1/8 M
18	4161.501	NIPPLE 1/8"M.F.
19	4160.655	ELECTROVALVE
20	4160.623	NOZZLE 1/8"
21	4160.724	COPPER EXTENDIN VALVOLE-NOZZLE
22	4160.635	KEEPER WIRE DEVICE PA 107
23	4160.733	ELECTRIC CABLE
24	4160.651	KEEPER WIRE DEVICE
25	4160.648	COMPLETE PLUG IN
26	4160.650	CONNEXION PLUG 5 PIN
26	4161.401	ONNEXION PLUG 4 PIN
27	4160.649	CONNEXION SOCKET 5 PIN
27	4161.400	CONNEXION SOCKET 4 PIN
28	4160.647	ANGULAR FIX CASE
29	4160.638	COVER SWITCH
30	4161.058	LIGHT SWITCH
31	4161.057	SWITCH
32	4161.281	PLASTIC BASE
33	4161.004	ELECTRONIC PC BOARD FOR GAS
34	4160.621	90° DEGREE ELBOW 1/8"
35	4160.687	GAS BURNER
36	4160.752	PLATE BURNER



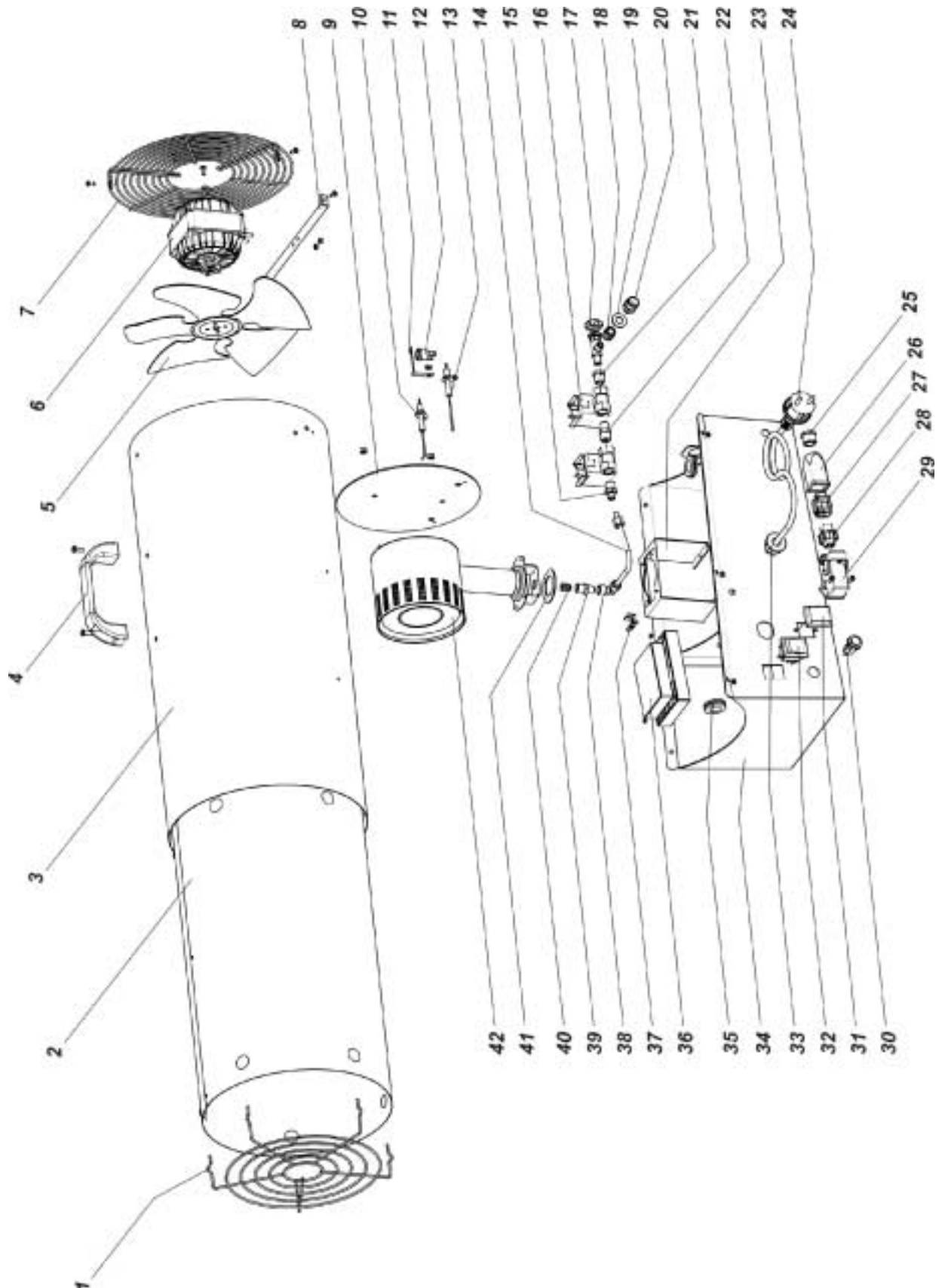
## Spareparts MASTER MANUAL GAS HEATERS 30 kW D.V. PB

Pos.	Code NR	Description
1	4160.764	OUTLET GRID
2	4161.373	COMBUSTION CHAMBER
3	4161.468	YELLOW COVER RAL 1006
4	4160.715	PLASTIC HANDLE
5	4160.690	FAN Ø200 19°
6	4161.165	ELECTRIC MOTOR 80 W 230-240/50HZ IP44
7	4160.784	INLET GRID
8	4161.010	SUPPORT ELECTRIC MOTOR
9	4160.646	GROMMET 16-30-22
10	4160.731	IGNITION ELETTRICAL FOLDER
11	4160.636	SAFETY THERMOSTAT90°
12	4160.708	SUPPORT FOR THERMOSTAT
13	4160.654	INTERRUPTED THERMOCOUPLE
14	4160.627	ELASTIC WASHER
15	4160.726	PLATE BURNER
16	4160.687	GAS BURNER
17	4160.724	COPPER EXTENDIN VALVOLE-NOZZLE
18	4160.623	NOZZLE 1/8"
19	4160.700	GAS INLET NOZZLE 3/8 M - 1/8 M
20	4160.653	SAFETY GAS VALVE
21	4160.701	RING NUT M12X0,75
22	4160.968	NOZZLE 1/8"
23	4161.267	GAS COCK WITH ELECTRO-VALVE
24	4161.282	PLASTIC BASE
25	4160.743	ELECTRIC CABLE
26	4160.635	KEEPER WIRE DEVICE PA 107
27	4160.638	COVER SWITCH
28	4160.637	SWITCH
29	4160.641	PIEZO IGNITOR
30	4160.640	ADAPTER FOR PIEZO IGNITOR
31	4161.292	SWITCH DUAL VOLTAGE
32	4161.284	COVER SWITCH DUAL VOLTAGE
33	4160.621	90° DEGREE ELBOW 1/8"
34	4160.722	GAS NOZZLE Ø1,15
35	4160.639	RIVET POP



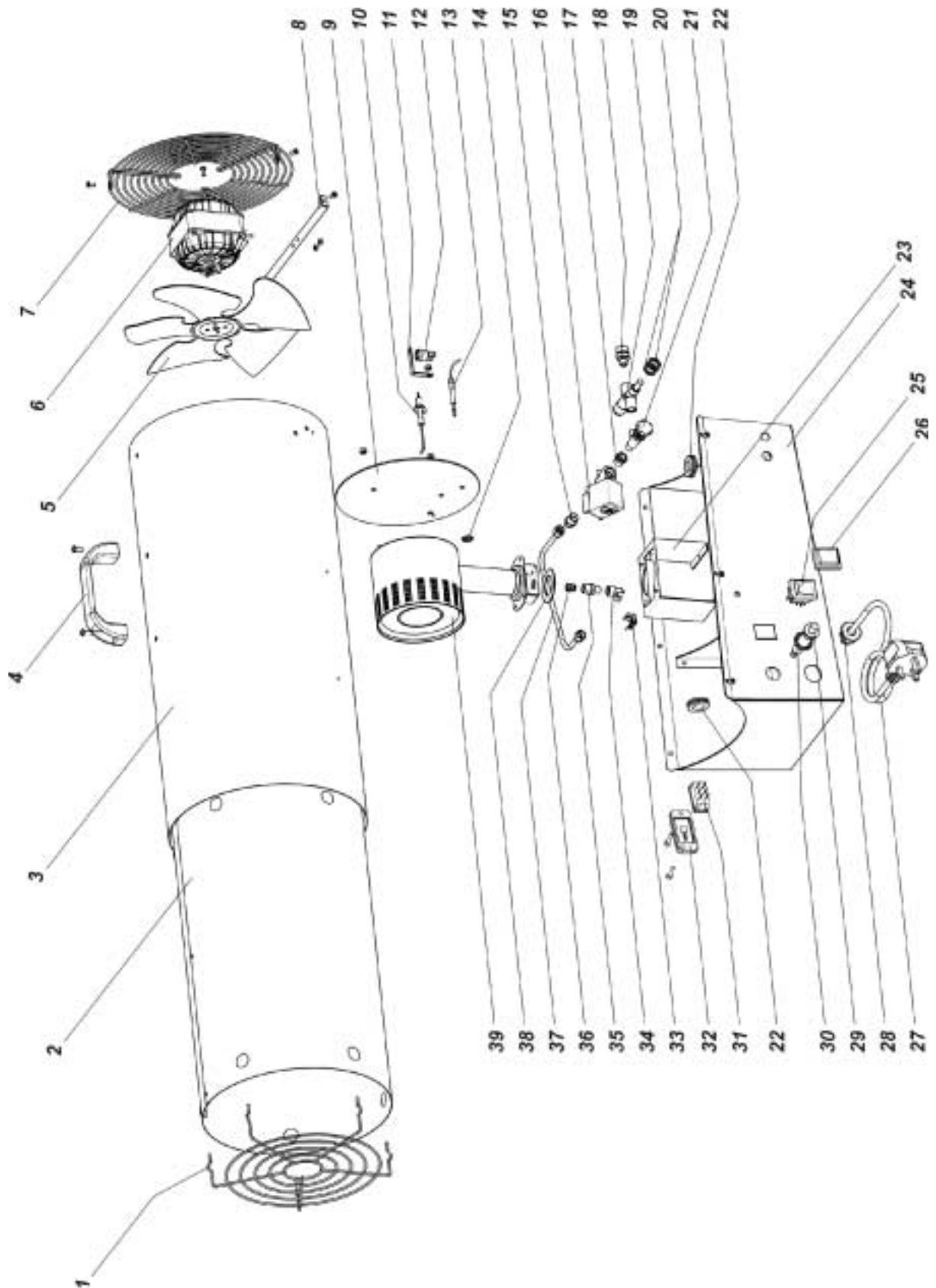
## Spareparts MASTER MANUAL GAS HEATERS 50 kW

Pos.	Code NR	Description
1	4160.740	OUTLET GRID
2	4161.083	COMBUSTION CHAMBER
3	4161.028	YELLOW COVER RAL 1006
4	4160.715	PLASTIC HANDLE
5	4160.691	FAN
6	4160.630	ELECTRIC MOTOR
7	4160.739	INLET GRID
8	4161.013	SUPPORT ELECTRIC MOTOR
9	4160.744	PLATE BURNER
10	4160.731	IGNITION ELETTRICAL FOLDER
11	4160.708	SUPPORT FOR THERMOSTAT
12	4160.636	SAFETY THERMOSTAT 90°
13	4160.953	INTERRUPTED THERMOCOUPLE
14	4160.627	ELASTIC WASHER
15	4160.962	NOZZLE 1/4" - 1/8"
16	4160.963	ELECTROVALVE
17	4160.964	NIPPLES REDUCER
18	4160.700	GAS INLET NOZZLE 3/8 M - 1/8 M
19	4160.688	SAFETY GAS VALVE
20	4160.701	RING NUT M12X0,75
21	4160.683	GAS COCK
22	4160.646	GROMMET 16-30-22
23	4161.018	SUPPORT BURNER
24	4161.015	BASE
25	4160.637	SWITCH
26	4160.638	COVER SWITCH
27	4160.631	ELECTRIC CABLE
28	4160.635	KEEPER WIRE DEVICE PA 107
29	4160.641	PIEZO IGNITOR
30	4160.640	ADAPTER FOR PIEZO IGNITOR
31	4160.639	RIVET POP
32	4160.967	90° DEGREE ELBOW 1/8"
33	4160.768	SUPPORT GAS NOZZLE
34	4160.766	GAS NOZZLE
35	4161.019	COPPER EXTENDIN VALVOLE-NOZZLE
36	4160.769	NECK PLATE
37	4160.676	GAS BURNER



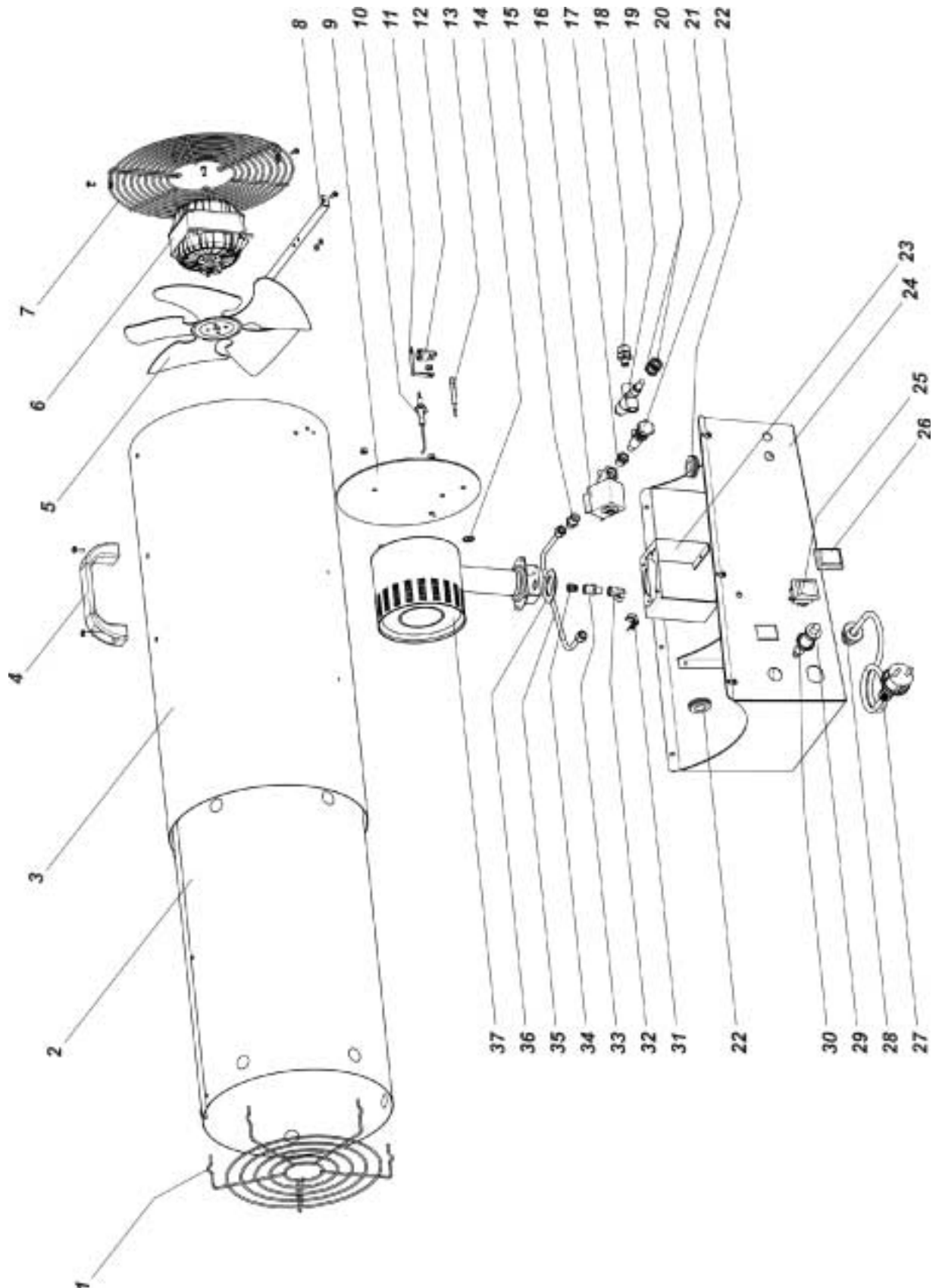
## Spareparts MASTER MANUAL GAS HEATERS 50 kW E

Pos.	Code NR	Description
1	4160.740	OUTLET GRID
2	4161.083	COMBUSTION CHAMBER
3	4161.028	YELLOW COVER RAL 1006
4	4160.715	PLASTIC HANDLE
5	4160.691	FAN
6	4160.630	ELECTRIC MOTOR
7	4160.739	INLET GRID
8	4161.013	SUPPORT ELECTRIC MOTOR
9	4161.041	PLATE BURNER
10	4161.248	IGNITION ELETTRICAL FOLDER
11	4160.708	SUPPORT FOR THERMOSTAT
12	4160.636	SAFETY THERMOSTAT 90°
13	4160.632	FLAME PROBE
14	4161.039	COPPER EXTENDIN VALVOLE-NOZZLE
15	4160.962	NOZZLE 1/4" - 1/8"
16	4160.963	ELECTROVALVE
17	4160.683	GAS COCK
18	4161.094	VERBINDUNGSMUFFE
19	4160.614	PLAIN WASHER M10
20	4160.700	GAS INLET NOZZLE 3/8 M - 1/8 M
21	4160.964	NIPPLES REDUCER
22	4161.095	NOZZLE 1/4"
23	4161.018	SUPPORT BURNER
24	4160.631	ELECTRIC CABLE
25	4160.651	KEEPER WIRE DEVICE PG11
26	4160.648	COMPLETE PLUG IN
27	4160.650	CONNEXION PLUG 5 PIN
27	4161.401	CONNEXION PLUG 4 PIN
28	4160.649	CONNEXION SOCKET 5 PIN
28	4161.400	CONNEXION SOCKET 4 PIN
29	4160.647	ANGULAR FIX CASE
30	4161.058	LIGHT SWITCH
31	4160.638	COVER SWITCH
32	4161.057	SWITCH
33	4160.635	KEEPER WIRE DEVICE PA 107
34	4161.092	BASE
35	4160.646	GROMMET 16-30-22
36	4161.004	ELECTRONIC PC BOARD FOR GAS
37	4160.639	RIVET POP
38	4160.967	90° DEGREE ELBOW 1/8"
39	4160.768	SUPPORT GAS NOZZLE
40	4160.766	GAS NOZZLE
41	4160.769	NECK PLATE
42	4160.676	GAS BURNER



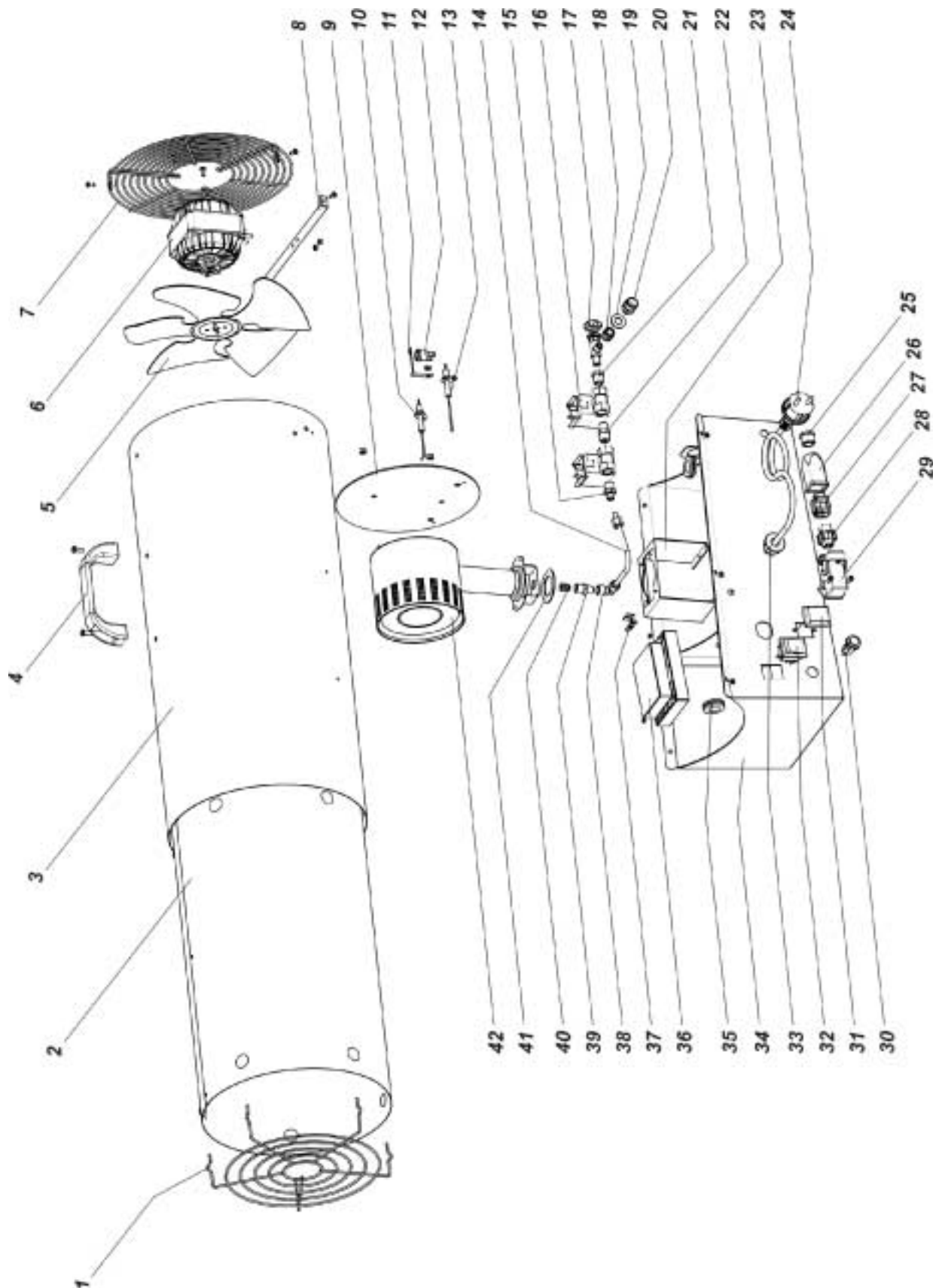
## Spareparts MASTER MANUAL GAS HEATERS 50 kW D.V.

Pos.	Code NR	Description
1	4160.740	OUTLET GRID
2	4161.083	COMBUSTION CHAMBER
3	4161.028	YELLOW COVER RAL 1006
4	4160.715	PLASTIC HANDLE
5	4160.691	FAN
6	4161.166	ELECTRIC MOTOR
7	4160.739	INLET GRID
8	4161.013	SUPPORT ELECTRIC MOTOR
9	4160.744	PLATE BURNER
10	4160.731	IGNITION ELETTRICAL FOLDER
11	4160.708	SUPPORT FOR THERMOSTAT
12	4160.636	SAFETY THERMOSTAT 90°
13	4160.953	INTERRUPTED THERMOCOUPLE
14	4160.627	ELASTIC WASHER
15	4160.962	NOZZLE 1/4" - 1/8"
16	4161.268	ELECTROVALVE
17	4160.964	NIPPLES REDUCER
18	4160.700	GAS INLET NOZZLE 3/8 M - 1/8 M
19	4160.688	SAFETY GAS VALVE
20	4160.701	RING NUT M12X0,75
21	4160.683	GAS COCK
22	4160.646	GROMMET 16-30-22
23	4161.018	SUPPORT BURNER
24	4161.472	BASE
25	4160.637	SWITCH
26	4160.638	COVER SWITCH
27	4161.471	ELECTRIC CABLE
28	4160.635	KEEPER WIRE DEVICE PA 107
29	4160.641	PIEZO IGNITOR
30	4160.640	ADAPTER FOR PIEZO IGNITOR
31	4161.292	SWITCH DUAL VOLTAGE
32	4161.284	COVER SWITCH DUAL VOLTAGE
33	4160.639	RIVET POP
34	4160.967	90° DEGREE ELBOW 1/8"
35	4160.768	SUPPORT GAS NOZZLE
36	4160.766	GAS NOZZLE
37	4161.019	COPPER EXTENDIN VALVOLE-NOZZLE
38	4160.769	NECK PLATE
39	4160.676	GAS BURNER



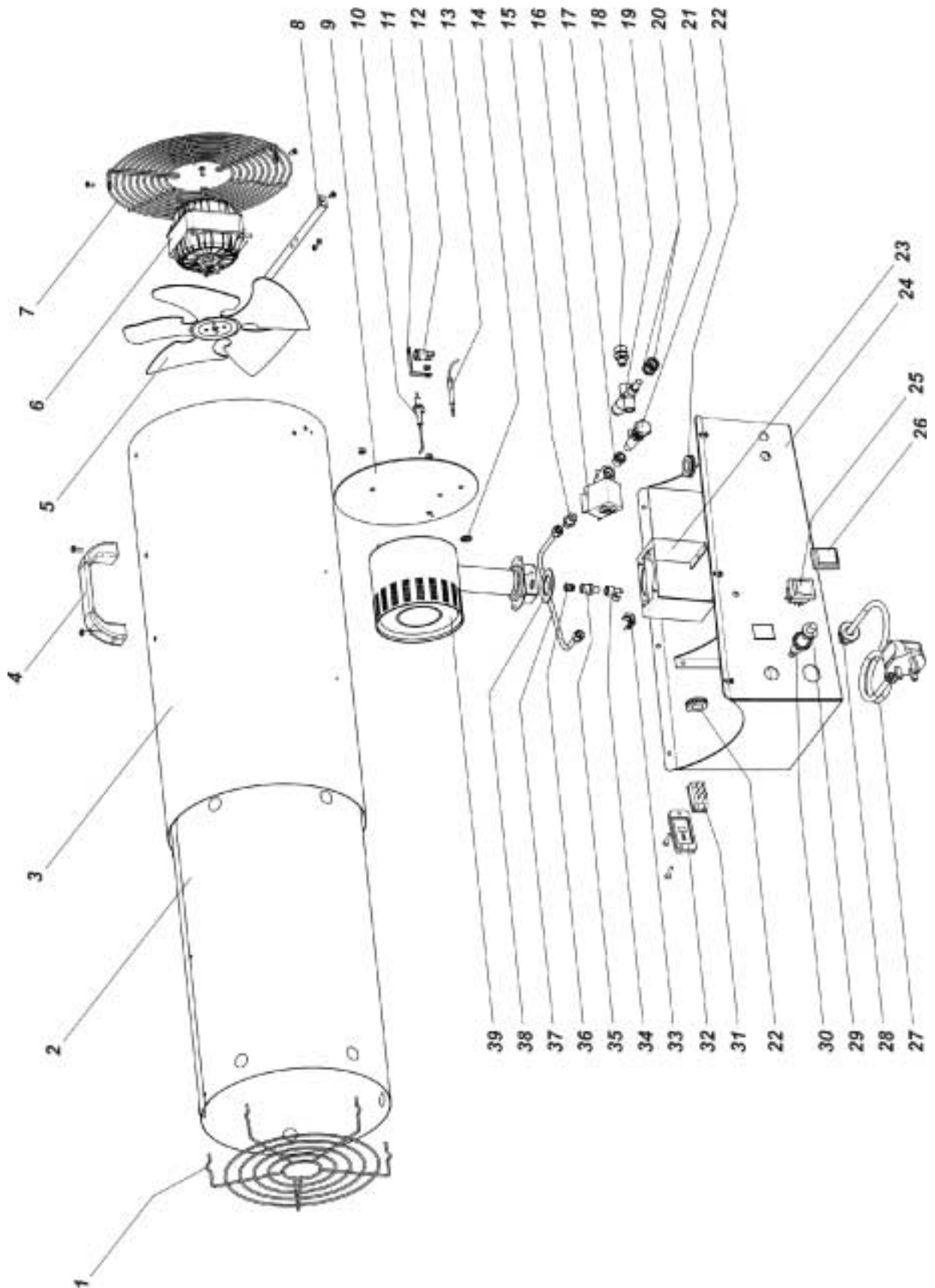
## Spareparts MASTER MANUAL GAS HEATERS 70 kW

Pos.	Code NR	Description
1	4160.759	OUTLET GRID
2	4160.957	COMBUSTION CHAMBER
3	4161.030	YELLOW COVER RAL 1006
4	4160.715	PLASTIC HANDLE
5	4160.959	FAN
6	4160.958	ELECTRIC MOTOR
7	4160.758	INLET GRID
8	4161.012	SUPPORT ELECTRIC MOTOR
9	4160.744	PLATE BURNER
10	4160.731	IGNITION ELETTRICAL FOLDER
11	4160.708	SUPPORT FOR THERMOSTAT
12	4160.636	SAFETY THERMOSTAT 90°
13	4160.953	INTERRUPTED THERMOCOUPLE
14	4160.627	ELASTIC WASHER
15	4160.962	NOZZLE 1/4" - 1/8"
16	4160.963	ELECTROVALVE
17	4160.964	NIPPLES REDUCER
18	4160.700	GAS INLET NOZZLE 3/8 M - 1/8 M
19	4160.688	SAFETY GAS VALVE
20	4160.701	RING NUT M12X0,75
21	4160.684	GAS COCK
22	4160.646	GROMMET 16-30-22
23	4160.951	SUPPORT BURNER
24	4160.950	BASE
25	4160.637	SWITCH
26	4160.638	COVER SWITCH
27	4160.631	ELECTRIC CABLE
28	4160.635	KEEPER WIRE DEVICE PA 107
29	4160.641	PIEZO IGNITOR
30	4160.640	ADAPTER FOR PIEZO IGNITOR
31	4160.639	RIVET POP
32	4160.967	90° DEGREE ELBOW 1/8"
33	4160.768	SUPPORT GAS NOZZLE
34	4160.770	GAS NOZZLE
35	4160.767	COPPER EXTENDIN VALVOLE-NOZZLE
37	4160.676	GAS BURNER



## Spareparts MASTER MANUAL GAS HEATERS 70 kW E

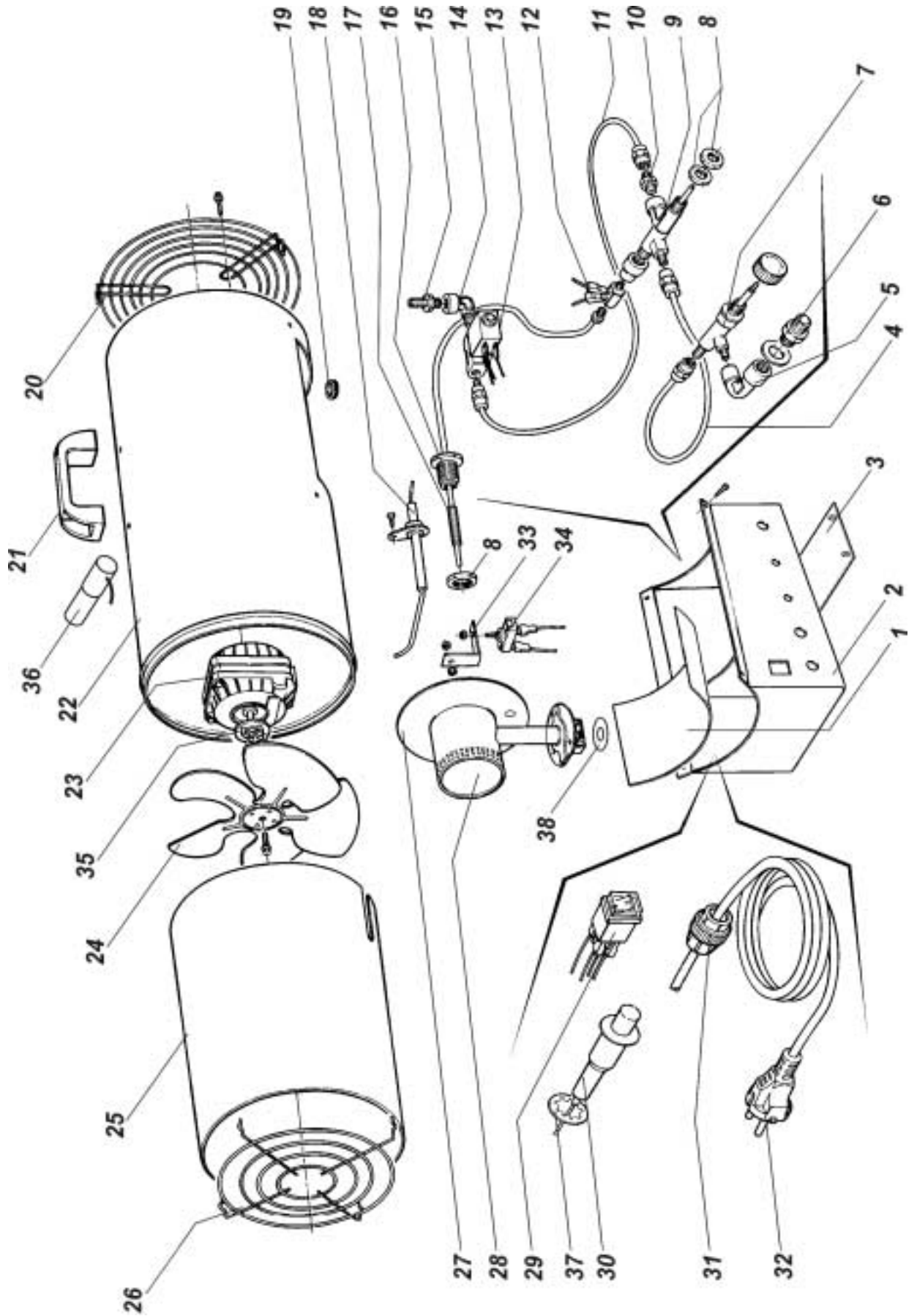
Pos.	Code NR	Description
1	4160.759	OUTLET GRID
2	4160.957	COMBUSTION CHAMBER
3	4161.030	YELLOW COVER RAL 1006
4	4160.715	PLASTIC HANDLE
5	4160.959	FAN
6	4160.958	ELECTRIC MOTOR
7	4160.758	INLET GRID
8	4161.012	SUPPORT ELECTRIC MOTOR
9	4161.041	PLATE BURNER
10	4161.248	IGNITION ELETTRICAL FOLDER
11	4160.708	SUPPORT FOR THERMOSTAT
12	4160.636	SAFETY THERMOSTAT 90°
13	4160.632	FLAME PROBE
14	4161.039	COPPER EXTENDIN VALVOLE-NOZZLE
15	4160.962	NOZZLE 1/4" - 1/8"
16	4160.963	ELECTROVALVE
17	4160.684	GAS COCK
18	4161.094	VERBINDUNGSMUFFE
19	4160.614	PLAIN WASHER M10
20	4160.700	GAS INLET NOZZLE 3/8 M - 1/8 M
21	4160.964	NIPPLES REDUCER
22	4161.095	NOZZLE 1/4"
23	4160.951	SUPPORT BURNER
24	4160.631	ELECTRIC CABLE
25	4160.651	KEEPER WIRE DEVICE PG11
26	4160.648	COMPLETE PLUG IN
27	4160.650	CONNEXION PLUG 5 PIN
27	4161.401	CONNEXION PLUG 4 PIN
28	4160.649	CONNEXION SOCKET 5 PIN
28	4161.400	CONNEXION SOCKET 4 PIN
29	4160.647	ANGULAR FIX CASE
30	4161.058	LIGHT SWITCH
31	4160.638	COVER SWITCH
32	4161.057	SWITCH
33	4160.635	KEEPER WIRE DEVICE PA 107
34	4161.086	BASE
35	4160.646	PASSACAVO 16-30-22 GROMMET
36	4161.004	ELECTRONIC PC BOARD FOR GAS
37	4160.639	RIVET POP
38	4160.967	90° DEGREE ELBOW 1/8"
39	4160.768	SUPPORT GAS NOZZLE
40	4160.770	GAS NOZZLE
42	4160.676	GAS BURNER



Cod. 4161.470

## Spareparts MASTER MANUAL GAS HEATERS 70 kW D.V.

Pos.	Code NR	Description
1	4160.759	OUTLET GRID
2	4160.957	COMBUSTION CHAMBER
3	4161.030	YELLOW COVER RAL 1006
4	4160.715	PLASTIC HANDLE
5	4160.959	FAN
6	4161.167	ELECTRIC MOTOR
7	4160.758	INLET GRID
8	4161.012	SUPPORT ELECTRIC MOTOR
9	4160.744	PLATE BURNER
10	4160.731	IGNITION ELETTRICAL FOLDER
11	4160.708	SUPPORT FOR THERMOSTAT
12	4160.636	SAFETY THERMOSTAT 90°
13	4160.953	INTERRUPTED THERMOCOUPLE
14	4160.627	ELASTIC WASHER
15	4160.962	NOZZLE 1/4" - 1/8"
16	4161.268	ELECTROVALVE
17	4160.964	NIPPLES REDUCER
18	4160.700	GAS INLET NOZZLE 3/8 M - 1/8 M
19	4160.688	SAFETY GAS VALVE
20	4160.701	RING NUT M12X0,75
21	4160.684	GAS COCK
22	4160.646	GROMMET 16-30-22
23	4160.951	SUPPORT BURNER
24	4161.473	BASE
25	4160.637	SWITCH
26	4160.638	COVER SWITCH
27	4161.471	ELECTRIC CABLE
28	4160.635	KEEPER WIRE DEVICE PA 107
29	4160.641	PIEZO IGNITOR
30	4160.640	ADAPTER FOR PIEZO IGNITOR
31	4161.292	SWITCH DUAL VOLTAGE
32	4161.284	COVER SWITCH DUAL VOLTAGE
33	4160.639	RIVET POP
34	4160.967	90° DEGREE ELBOW 1/8"
35	4160.768	SUPPORT GAS NOZZLE
36	4160.770	GAS NOZZLE
37	4160.767	COPPER EXTENDIN VALVOLE-NOZZLE
39	4160.676	GAS BURNER

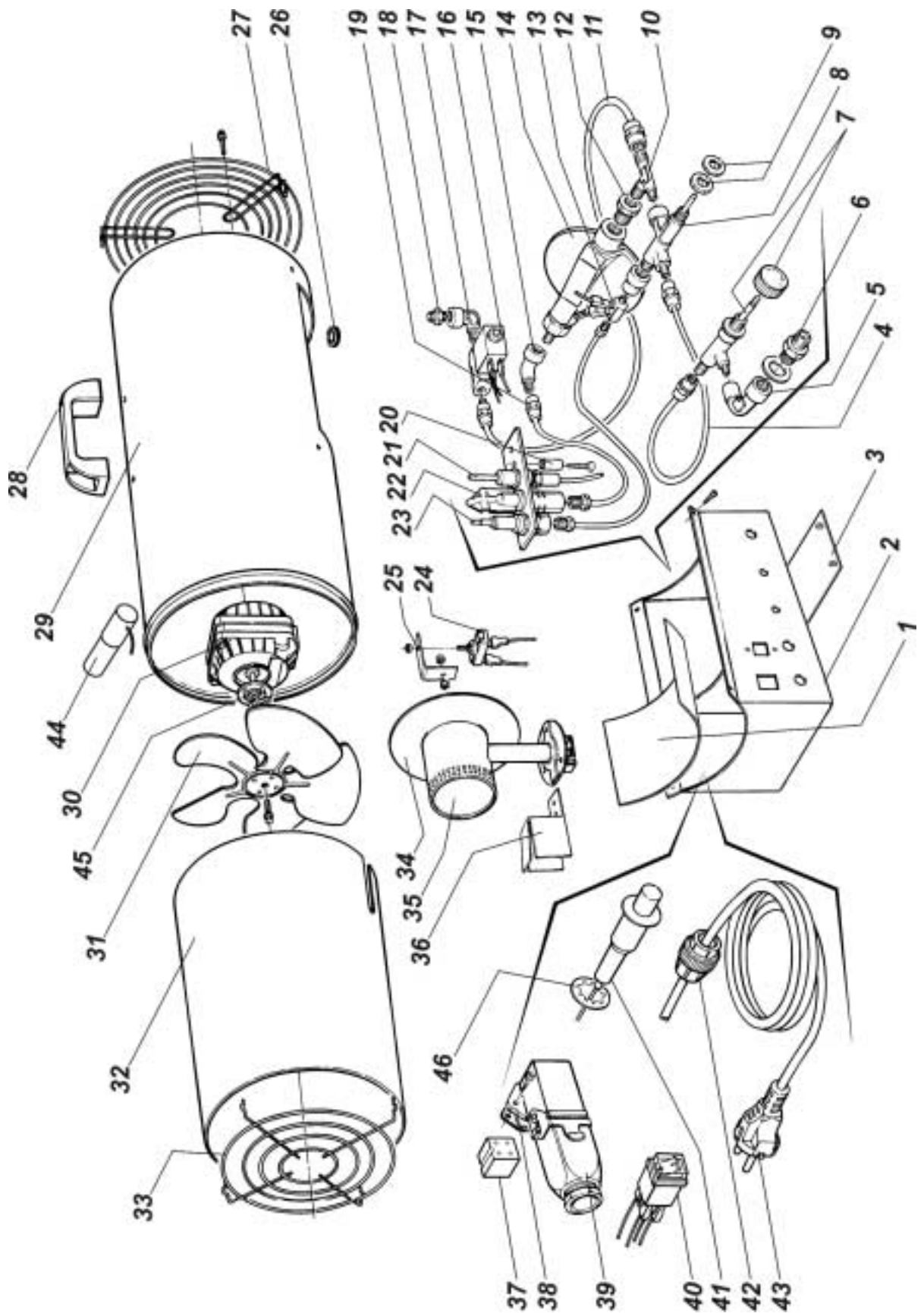


## Spareparts MASTER MANUAL GAS HEATERS (TYPE - 14/29 M Plastic Base since 99')

Fabr. NR	Description	Appropriate Code NR	
		BLP 14M	BLP 29M
1	BEARING SADDLE	N/A	N/A
2	PLASTIC BASE	N/A	N/A
3	TUCK OPENING	N/A	N/A
4	PIPE	4150.653	4150.653
5	* 90 DEGREE ELBOW THREAD 1/4"-M8	4150.645	4150.645
5.1	* 90 DEGREE ELBOW THREAD 1/4"-1/8"	4150.646	4150.646
6	* GAS INLET SOCKET	4160.636	4160.636
7	GAS SUPPLY TAP INLET THREAD M8	4150.649	4150.650
7.1	GAS SUPPLY TAP INLET THREAD 1/8"	4161.072	4160.675
8	RING NUT	4160.701	4160.701
9	GAS VALVE	4150.643	4150.643
10	NIPPLE	4150.915	4150.915
11	PIPE	4150.658	4150.658
12	END FITTING	4161.139	4161.139
13	ELECTRO-VALVE	4160.655	4160.655
14	90 DEGREE ELBOW	4150.641	4150.641
15	GAS NOZZLE	4161.103	4160.722
16	FERRULE FOR THERM.	4150.682	4150.682
17	THERMOCOUPLE	4150.673	4150.673
18	IGNITION ELECTRODE	4150.761	4150.761
19	FAIRLEAD	4150.683	4150.683
20	ENTRY GRILL	4160.784	4160.784
21	HANDLE	4150.615	4150.615
22	YELLOW COVER N/A N/A		
23	ELECTRIC MOTOR	4160.628	4160.629
24	FAN	4161.049	4160.690
25	CHAMBER	N/A	N/A
26	OUTLET GRILL	4150.611	4150.611
27	DEFLECTOR DISC	N/A	N/A
28	GAS BURNER	4160.687	4160.687
29	SWITCH	4150.635	4150.635
30	PIEZO IGNITOR	4160.641	4160.641
31	WIRE NUT	4150.625	4150.625
32	ELECTRIC CABLE	4160.631	4160.631
33	* THERMOSTAT SUPPORT	4150.924	4150.924
34	SAFETY THERMOSTAT	4160.636	4160.636
35	CONNECTION FAN	4150.717	4150.717
36	CONDENSER		4150.912
37	ADAPTER FOR PIEZO IGNITOR	4160.640	4160.640
38	THROTTLING DISC	4161.124	
	GAS HOSE	4160.661	4160.661

\* Discontinued limited Qty. Available

N/A = Parts Not Available

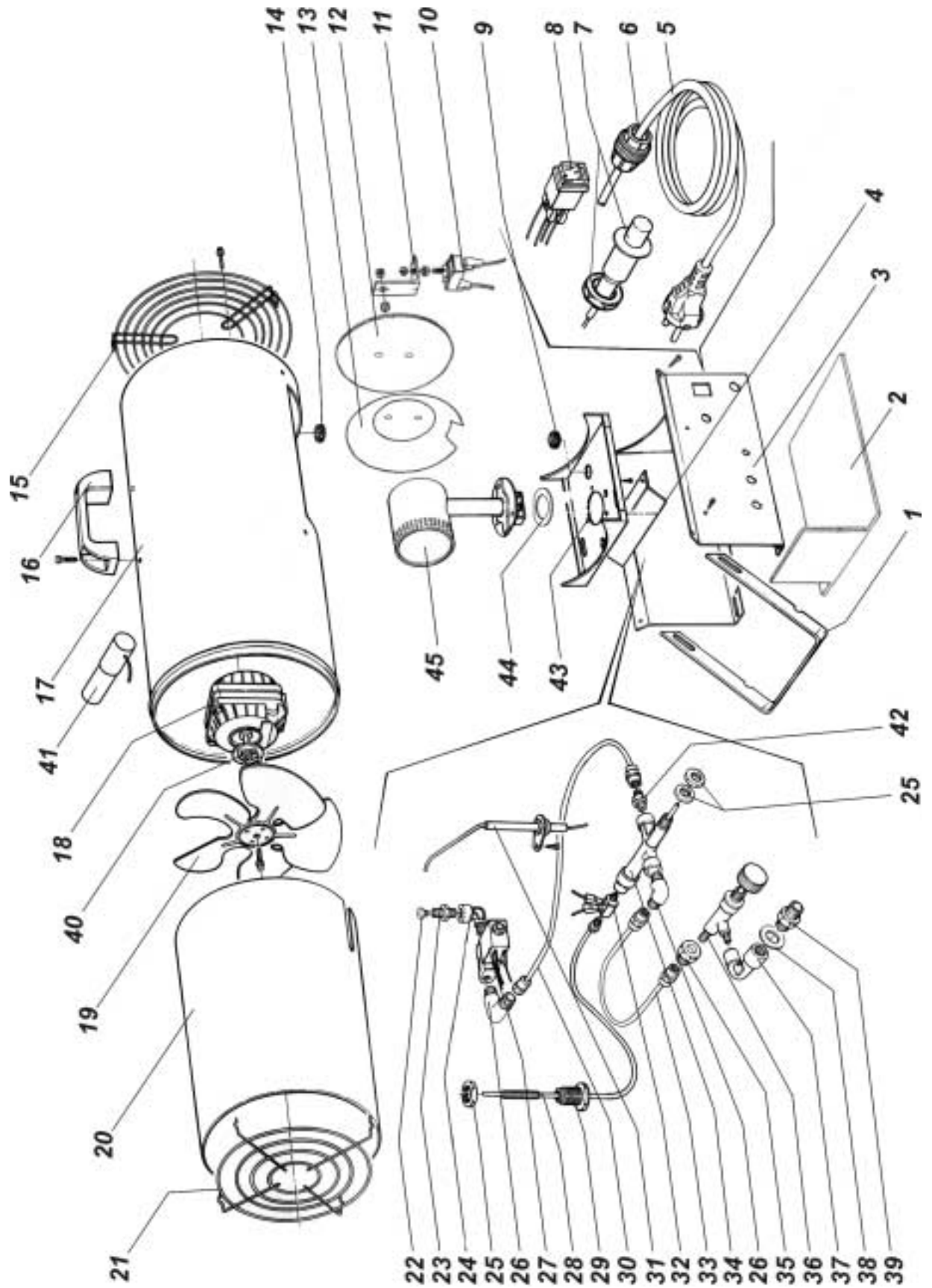


## Spareparts MASTER MANUAL GAS HEATERS (TYPE - 29 A Plastic Base since 99')

Fabr. NR	Description	Appropriate Code NR BLP 29A
1	BEARING SADDLE	N/A
2	SWITCH BOARD	N/A
3	TUCK OPENING	N/A
4	PIPE	4150.653
5	* 90 DEGREE ELBOW THREAD 1/4"-M8	4150.645
5.	1 * 90 DEGREE ELBOW THREAD 1/4"-1/8"	4150.646
6	* GAS INLET SOCKET	4160.636
7	GAS SUPPLY TAP INLET THREAD M8	4150.650
7.1	GAS SUPPLY TAP INLET THREAD 1/8"	4160.675
8	GAS VALVE	4150.643
9	RING NUT	4160.701
10	T-PIECE	4150.904
11	COPPER PIPE	4150.658
12	REDUCING CONNECTOR	4160.964
13	END FITTING	4161.139
14	PRESSURE REGULATOR	4161.035
15	90 DEGREE ELBOW	N/A
16	ELECTRO-VALVE	4160.655
17	90 DEGREE ELBOW	150.641
18	GAS NOZZLE	4160.722
19	PIPE	4150.661
20	SPACER	4161.047
21	IGNITION ELECTRODE	4161.046
22	PILOT BURNER	4161.102
23	THERMOCOUPLE	4161.138
24	SAFETY THERMOSTAT	4160.636
25	* THERMOSTAT SUPPORT	4150.924
26	FAIRLEAD	150.683
27	ENTRY GRILL	4160.784
28	HANDLE	4150.615
29	YELLOW COVER	N/A
30	ELECTRIC MOTOR	4160.629
31	FAN	4160.690
32	CHAMBER	N/A
33	OUTLET GRILL	4150.611
34	DEFLECTOR DISC	N/A
35	GAS BURNER	4160.687
36	PILOT BURNER SHIELD	4161.048
37	SOCKET ELEMENT	4161.400
38	FIXED CASE	4160.647
39	COMPLETE PLUG	4150.696
40	SWITCH	4150.635
41	PIEZO IGNITOR	4160.641
42	WIRE NUT	4150.625
43	ELECTRIC CABLE	4160.631
44	CONDENSER	4150.912
45	FAN CONNECTION	4150.717
46	ADAPTER FOR PIEZO IGNITOR	4160.640
	GAS HOSE	4160.661

\* Discontinued limited Qty. Available

N/A = Parts Not Available

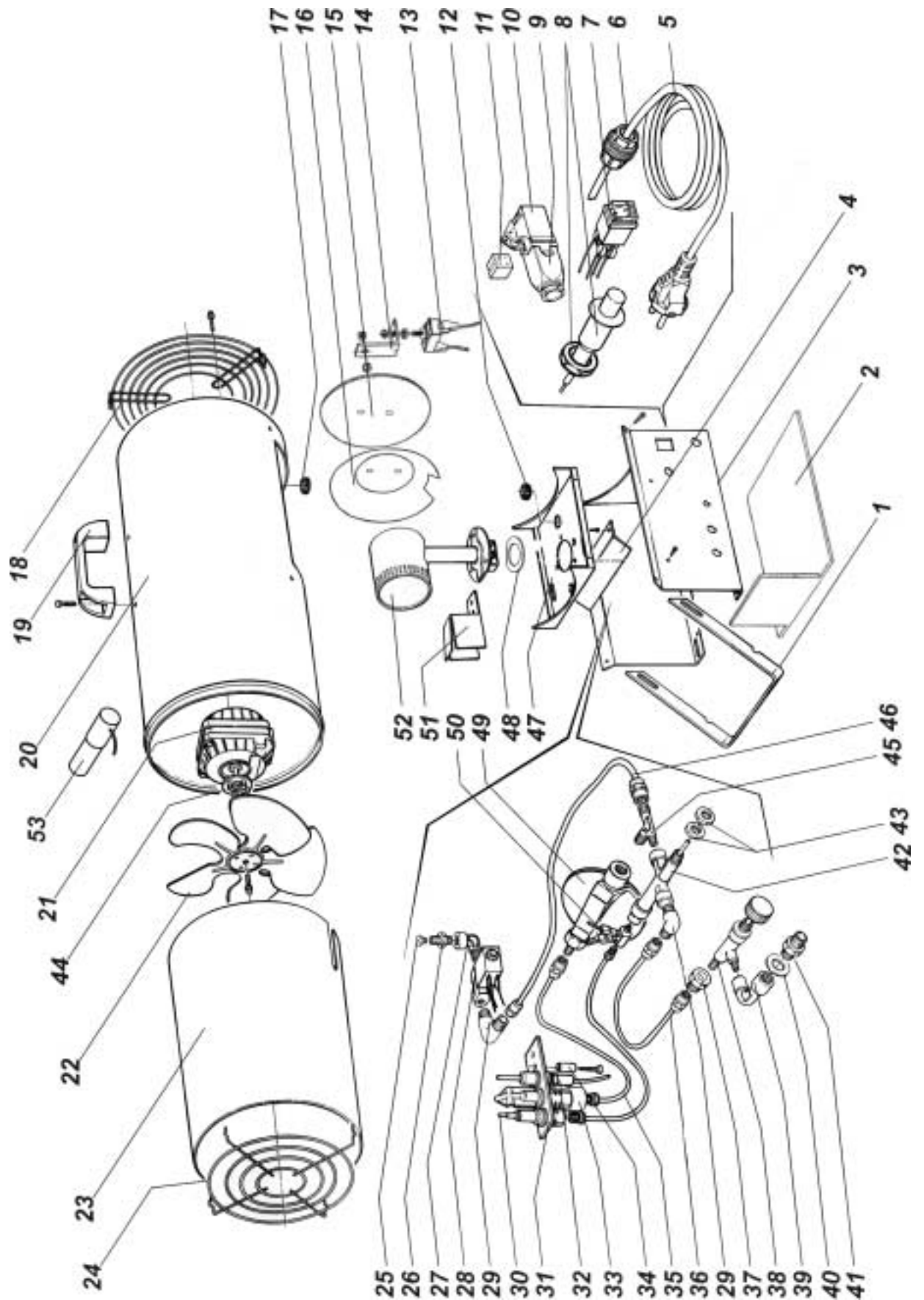


**Spareparts MASTER MANUAL GAS HEATERS (TYPE - 46/69 M since 99' - Motor on back grill)**

Fabr. NR	Description	Appropriate Code NR	
		BLP 46M	BLP 69M
1	*PIN	4150.665	4150.666
2	* LOWER COVER	4150.639	4150.640
3	* CONTROL PANEL	4150.686	4150.687
4	* PROTECTION	4150.693	4150.694
5	ELECTRIC CABLE	4150.631	4150.631
6	WIRE NUT	4150.625	4150.625
7	PIEZO IGNITOR	4150.634	4150.634
8	SWITCH	4150.635	4150.635
9	FAIRLEAD	4150.683	4150.683
10	SAFETY THERMOSTAT	4160.636	4160.636
11	* THERMOSTAT SUPPORT	4150.924	4150.924
12	DEFLECTOR DISC	N/A	N/A
13	DEFLECTOR DISH	N/A	N/A
14	FAIRLEAD	N/A	N/A
15	ENTRY GRILL	N/A	4160.758
16	HANDLE	4150.615	4150.615
17	* YELLOW COVER	4150.602	4150.603
18	ELECTRIC MOTOR	4160.630	4160.958
19	FAN	4160.691	4160.959
20	* CHAMBER	4150.606	4150.607
21	OUTLET GRILL	4150.613	4150.614
22	GAS NOZZLE	4150.669	4150.670
23	NOZZLE HOLDER	N/A	N/A
24	90 DEGREE ELBOW	4150.642	4150.642
25	NUT	4160.701	4160.701
26	90 DEGREE ELBOW	4150.906	4150.906
27	ELECTRO-VALVE	4160.963	4160.963
28	THERMOCOUPLE	4150.673	4150.673
29	FERRULE FOR THERM.	4150.682	4150.682
30	COPPER PIPE	4150.659	4150.700
31	IGNITION ELECTRODE	4150.671	4150.671
32	END FITTING	4161.139	4161.139
33	COPPER PIPE	4150.654	4150.654
34	GAS VALVE	4150.644	4150.644
35	REDUCTION	4160.964	4160.964
36	GAS SUPPLY TAP INLET THREAD M8	4150.651	4150.652
36.1	GAS SUPPLY TAP INLET THREAD 1/8"	4160.683	4160.684
37	*90 DEGREE ELBOW THREAD 1/4"-M8	4150.645	4150.645
37.1	*90 DEGREE ELBOW THREAD 1/4"-1/8"	4150.646	4150.646
38	FLAT WASHER	4160.614	4160.614
39	* GAS INLET SOCKET	4150.636	4150.636
40	CONNECTION FAN	4150.717	4150.717
41	CONDENSER	4150.912	4150.914
42	NIPPLE	4150.911	4150.911
43	* SUPPORT BURNER	4150.629	4150.630
44	THROTTLING	4160.769	
45	GAS BURNER	4150.676	4150.676
	GAS HOSE	4160.661	4160.661

\* Discontinued limited Qty.Available

N/A = Parts Not Available



**Spareparts MASTER MANUAL GAS HEATERS (TYPE - 46/69 A since 99' - Motor on back grill)**

Fabr. NR	Description	Appropriate Code NR	
		BLP 46A	BLP 69A
1	*PIN	4150.665	4150.666
2	* LOWER COVER	4150.639	4150.640
3	CONTROL PANEL	N/A	N/A
4	* PROTECTION	4150.693	4150.694
5	ELECTRIC CABLE	4150.631	4150.631
6	WIRE NUT	4150.625	4150.625
7	SWITCH	4150.635	4150.635
8	PIEZO IGNITOR	4150.634	4150.634
9	COMPLETE PLUG	4150.696	4150.696
10	FIXED CASE	4160.647	4160.647
11	SOCKET ELEMENT	4161.400	4161.400
12	FAIRLEAD	4150.683	4150.683
13	SAFETY THERMOSTAT	4160.636	4160.636
14	* THERMOSTAT SOPPORT	4150.924	4150.924
15	DEFLECTOR DISC	N/A	N/A
16	DEFLECTOR DISH	N/A	N/A
17	FAIRLEAD	N/A	N/A
18	ENTRY GRILL	N/A	4160.758
19	HANDLE	4150.615	4150.615
20	* YELLOW COVER	4150.602	4150.603
21	ELECTRIC MOTOR	4160.630	4160.958
22	FAN	4160.691	4160.959
23	CHAMBER	N/A	N/A
24	OUTLET GRILL	4150.613	4150.614
25	GAS NOZZLE	4150.669	4150.670
26	NOZZLE HOLDER	N/A	N/A
27	90 DEGREE ELBOW	4150.642	4150.642
28	ELECTRO-VALVE	4160.963	4160.963
29	90 DEGREE ELBOW	4150.906	4150.906
30	THERMOCOUPLE	4161.138	4161.138
31	PILOT BURNER	4161.102	4161.102
32	IGNITION ELECTRODE	4161.046	4161.046
33	PILOT BURNER SHIELD	N/A	N/A
34	SPACER	4161.047	4161.047
35	PIPE	4150.661	4150.661
36	COPPER PIPE	4150.654	4150.654
37	REDUCTION	4160.964	4160.964
38	GAS SUPPLY TAP INLET THREAD M8	4150.651	4150.652
38.1	GAS SUPPLY TAP INLET THREAD 1/8"	4160.683	4160.684
39	* 90 DEGREE ELBOW THREAD 1/4"-M8	4150.645	4150.645
39.	1 * 90 DEGREE ELBOW THREAD 1/4"-1/8"	4150.646	4150.646
40	FLAT WASHER	4160.614	4160.614
41	* GAS INLET SOCKET	4150.636	4150.636
42	GAS VALVE	4150.644	4150.644
43	RING NUT	4160.701	4160.701
44	CONNECTION FAN	4150.717	4150.717
45	T-PIECE	4150.907	4150.907
46	COPPER PIPE	4150.659	4150.660
47	* SUPPORT BURNER	N/A	N/A
48	THROTTLING	4160.769	
49	PRESSURE REGULATOR	4161.035	4161.035
50	END FITTING	4161.139	4161.139
51	PILOT BURNER SHIELD	4161.048	4161.048
52	GAS BURNER	4160.676	4160.676
53	CONDENSER	4150.912	4150.914
	GAS HOSE	4160.661	4160.661

\* Discontinued limited Qty.Available

N/A = Parts Not Available

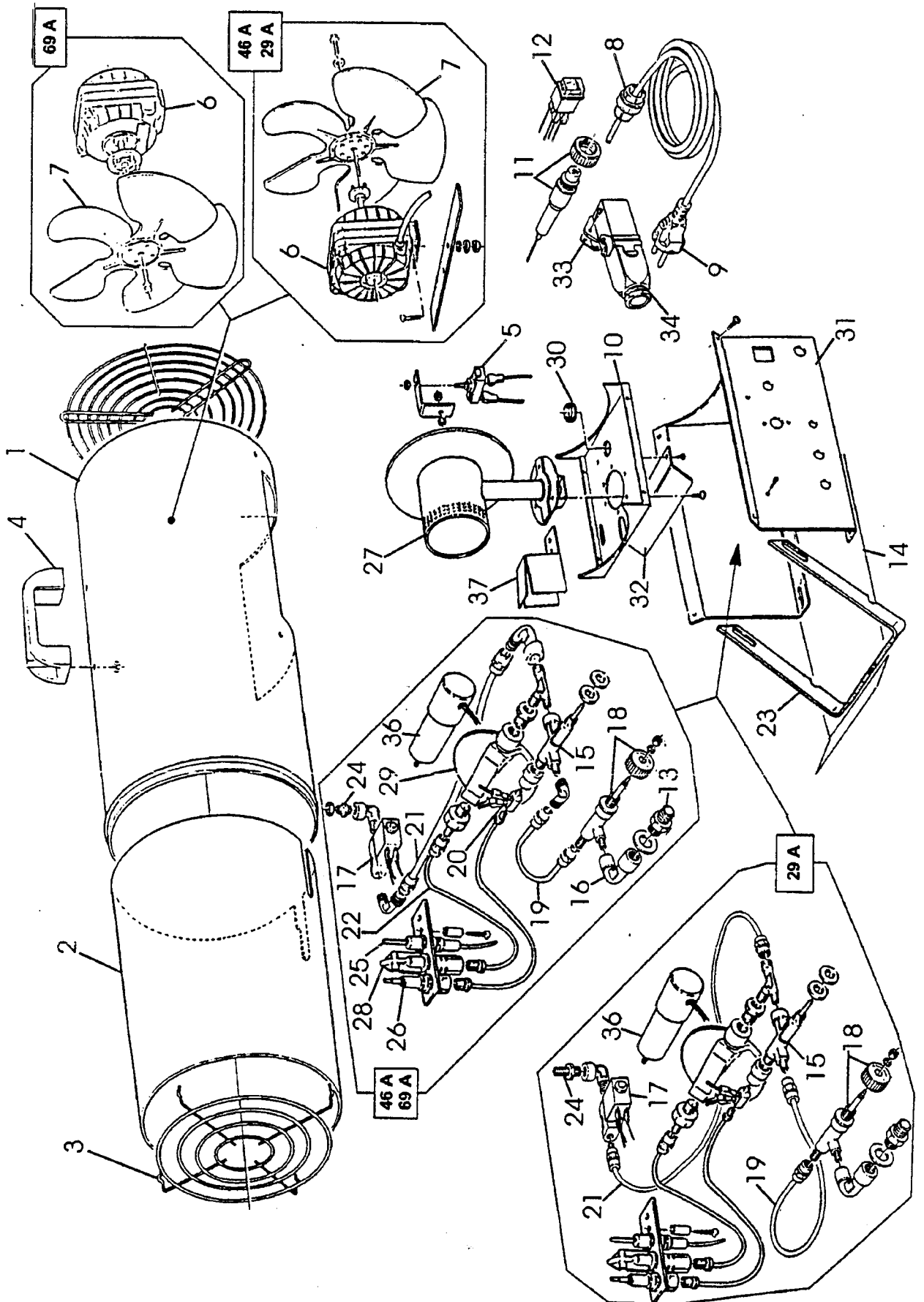


**Spareparts MASTER MANUAL GAS HEATERS (TYPE - M till 98')**

Fabr. NR	Description	Appropriate Code NR			
		BLP 14M	BLP 29M	BLP 46M	BLP 69M
1	* COVER	4150.600	4150.601	4150.602	4150.603
2	* CHAMBER	4150.604	4150.605	4150.606	4150.607
3	OUTLET GRILL	4150.611	4150.612	4150.613	4150.614
4	HANDLE	4150.615	4150.615	4150.615	4150.615
5	SAFETY THERMOSTAT	4160.636	4160.636	4160.636	4160.636
6	ELECTRIC MOTOR	4160.628	4160.629	4160.630	4160.958
7	FAN	4161.049	4150.622	4150.623	4160.959
8	WIRE NUT	4150.625	4150.625	4150.625	4150.625
9	ELECTIC CABLE	4160.631	4160.631	4160.631	4160.631
10	* SUPPORT BURNER	4150.627	4150.628	4150.629	4150.630
11	PIEZO IGNITOR	4150.634	4150.634	4150.634	4150.634
12	SWITCH	4150.635	4150.635	4150.635	4150.635
13	* GAS INLET SOCKET	4150.636	4150.636	4150.636	4150.636
14	* LOWER PROTECTIVE COVER	4150.637	4150.638	4150.639	4150.640
15	90 DEGREE ELBOW	4150.641	4150.641	4150.642	4150.642
16	GAS VALVE	4150.643	4150.643	4150.644	4150.644
17	* INLET ELBOW	4150.645	4150.645	4150.645	4150.645
18	ELECTRO- VALVE	4160.655	4160.655	4160.963	4160.963
19	GAS TAP	4150.649	4150.650	4150.651	4150.652
20	EXTENDING NOZZLE FITTING	4150.653	4150.653	4150.654	4150.654
21	END FITTING	4161.139	4161.139	4161.139	4161.139
22	EXTENDING NOZZLE FITTING	4150.658	4150.658	4150.659	4150.700
23	* PIN	4150.663	4150.664	4150.665	4150.666
24	GAS NOZZLE	4161.103	4160.722	4150.669	4150.670
25	IGNITION ELECTRODE	4150.671	4150.671	4150.671	4150.671
26	THERMOCOUPLE	4150.673	4150.673	4150.673	4150.673
27	GAS BURNER	4160.687	4160.687	4160.676	4160.676
28	RING NUT	4160.701	4160.701	4160.701	4160.701
29	FERRULE FOR THERMOCOUPLE	4150.682	4150.682	4150.682	4150.682
30	FAIRLEAD	4150.683	4150.683	4150.683	4150.683
31	* BASE	4150.684	4150.685	4150.686	4150.687
32	* PROTECTION	4150.691	4150.692	4150.693	4150.694
33	GAS CONNECTION	4150.915	4150.915	4150.911	4150.911
34	CONDENSER		4150.912	4150.912	4150.914
35	90° ELBOW			4150.906	4150.906
36	CONNECTION FAN	4150.717	4150.717	4150.717	4150.717
37	* THERMOSTAT SUPPORT	4150.924	4150.924	4150.924	4150.924
38	PLATE BURNER	N/A	N/A	N/A	N/A
39	THROTTLING DISC	4161.124		4160.769	
	GAS HOSE	4160.661	4160.661	4160.661	4160.661

\* Discontinued limited Qty. Available

N/A = Parts Not Available



**Spareparts MASTER MANUAL GAS HEATERS (TYPE - A till 98')**

Fabr. NR	Description	Appropriate Code NR		
		BLP 29A	BLP 46A	BLP 46A
1	* COVER	4150.601	4150.602	4150.603
2	* CHAMBER	4150.608	4150.609	4150.610
3	OUTLET GRILL	4150.612	4150.613	4150.614
4	HANDLE	4150.615	4150.615	4150.615
5	SAFETY THERMOSTAT	4160.636	4160.636	4160.636
6	ELECTRIC MOTOR	4160.629	4160.630	4160.958
7	FAN	4150.622	4150.623	4160.959
8	WIRE NUT	4150.625	4150.625	4150.625
9	ELECTIC CABLE	4160.631	4160.631	4160.631
10	* SUPPORT BURNER	4150.628	4150.628	4150.629
11	PIEZO IGNITOR	4150.634	4150.634	4150.634
12	SWITCH	4150.635	4150.635	4150.635
13	* GAS INLET SOCKET	4150.636	4150.636	4150.636
14	* LOWER PROTECTIVE COVER	4150.638	4150.639	4150.640
15	GAS VALVE	4150.643	4150.644	4150.644
16	* 90 DEGREE ELBOW	4150.645	4150.645	4150.645
17	ELECTRO- VALVE	4160.655	4160.963	4160.963
18	GAS TAP	4150.650	4150.651	4150.652
19	EXTENDING NOZZLE FITTING	4150.653	4150.654	4150.654
20	END FITTING	4161.139	4161.139	4161.139
21	EXTENDING NOZZLE FITTING	4150.658	4150.659	4150.660
22	EXTENDING PILOT FITTING	4150.661	4150.661	4150.661
23	* PIN	4150.664	4150.665	4150.666
24	GAS NOZZLE	4160.722	4150.669	4150.670
25	IGNITION ELECTRODE	4161.046	4161.046	4161.046
26	THERMOCOUPLE	4161.138	4161.138	4161.138
27	GAS BURNER	4160.687	4160.676	4160.676
28	PILOT FLAME	4161.102	4161.102	4161.102
29	REGULATOR	4161.035	4161.035	4161.035
30	FAIRLEAD	4150.683	4150.683	4150.683
31	BASE	N/A	N/A	N/A
32	* PROTECTION	4150.692	4150.69	4150.694
33	FIX CASE	4031.088	4031.088	4031.088
34	PLUG-IN	4150.696	4150.696	4150.696
35	CONNECTION FAN	4150.717	4150.717	4150.717
36	CONDENSER	4150.912	4150.912	4150.914
37	PILOT FLAME COVER	4161.048	4161.048	4161.048
38	* THERMOSTAT SUPPORT	4150.924	4150.924	4150.924
39	90 DEGREE ELBOW	4150.641	4150.642	4150.642
40	T-PIECE	4150.904	4150.907	4150.907
41	90° ELBOW	4150.906	4150.906	
42	THROTTLING DISC		4160.769	
43	PLATE BURNER	N/A	N/A	N/A
44	RING NUT	4160.701	4160.701	4160.701
	GAS HOSE	4160.661	4160.661	4160.661

\* Discontinued limited Qty. Available

N/A = Parts Not Available

## Spareparts MASTER GAS HEATERS

Description	Appropriate	Master NR	Code NR
BURNER ASS.	BLP 300	097849-01	4150.560
BURNER ASS.	BLP 150	097849-02	4150.513
BURNER ASS.	BLP 35	099727-01	4150.508
BUSHING INTERVAL	BLP 35/150	097776-01	4150.503
BUMPER RUBBER	BLIP 150	M 50631	4150.553
CLIP	BLP 150	098428-01	4150.514
COUPLING KIT	FOR GAS-BOTTLES	DUTCH	4150.250
COUPLING KIT	FOR GAS BOTTLES	EUROPEAN	4150.260
D.S.I. CONTROL	BLP 150/300	M 51605-04	4150.526
ELECTR.-IGNITOR	BLP 35	099539-01	4150.506
FAN	BLP 300	097811-01	4150.535
FAN	BLP 35	099537-02	4150.505
FAN	BLP 150	M 51153-01	4150.522
FAN GUARD	BLP 35	099540-01	4150.500
FAN GUARD	BLIP 150	097964-03AA	4150.520
FAN GUARD	BLP 300	097964-01AA	4150.536
FUEL TUBE	BLP 1 50	097905-02	4150.597
FUEL TUBE	BLP300	100311-01	4104.151
HOSE & REGULATOR	BLP 35	100399-01	4150.510
HOSE & REGULATOR	BLP 150/300	097953-02	4150.512
IGNITOR	BLP 35	097159-02	4150.507
IGNITOR	BLP 150/300	097805-01	4150.511
IGNITOR CABLE	BLP 150/300	097806-02	4150.516
LAMP	BLIP 150/300	100371-01	4150.518
MALE FITTING	BLP 300	097809-01	4150.884
MALE COMPR. ELBOW	BLP 300	098825-01	4150.885
MOTOR	BLP 300	100144-01	4150.525
MOTOR	BLIP 150	100298-01	4150.521
MOTOR	BLP 35	100398-01	4150.530
NOZZLE	BLP 150	098425-01	4150.595
NOZZLE	BLP 300	099679-02	4150.175
NUT	BLP 150/300	NPC 00C	4150.548
ORIFICE-VALVE	BLP 35	099541-01	4150.504
REAR PLATE	BLP 150	100299-01	4150.519
SLEEVE REGULATOR	ALL BLP TYPES	-	4150.254
SCREW	ALL BLP TYPES	M12461-14	4108.540
SCREW	BLP 35	099230-01	4150.509
SPACER	BLP 150	098431-01	4150.515
STRAIN RELIEF BUSHING		M 50400	4150.528
TERMINAL BOARD	BLP 150/300	099125-06	4150.517
THERMAL SWITCH	BLP 35	097952-04	4150.551
THERMAL SWITCH	BLP 300	097952-06	4150.550
THERM.SWITCH ASS	BLP 150	097952-07	4150.501
THERMOCOUPLE	BLP 35	099538-01	4150.502
THERMOSTAT TH-2	BLP 150/300		4100.426
VALVE SOLENOID	BLP 150/300	097803-01 (098201-01)	4150.524



# MASTER VENTED HEATERS

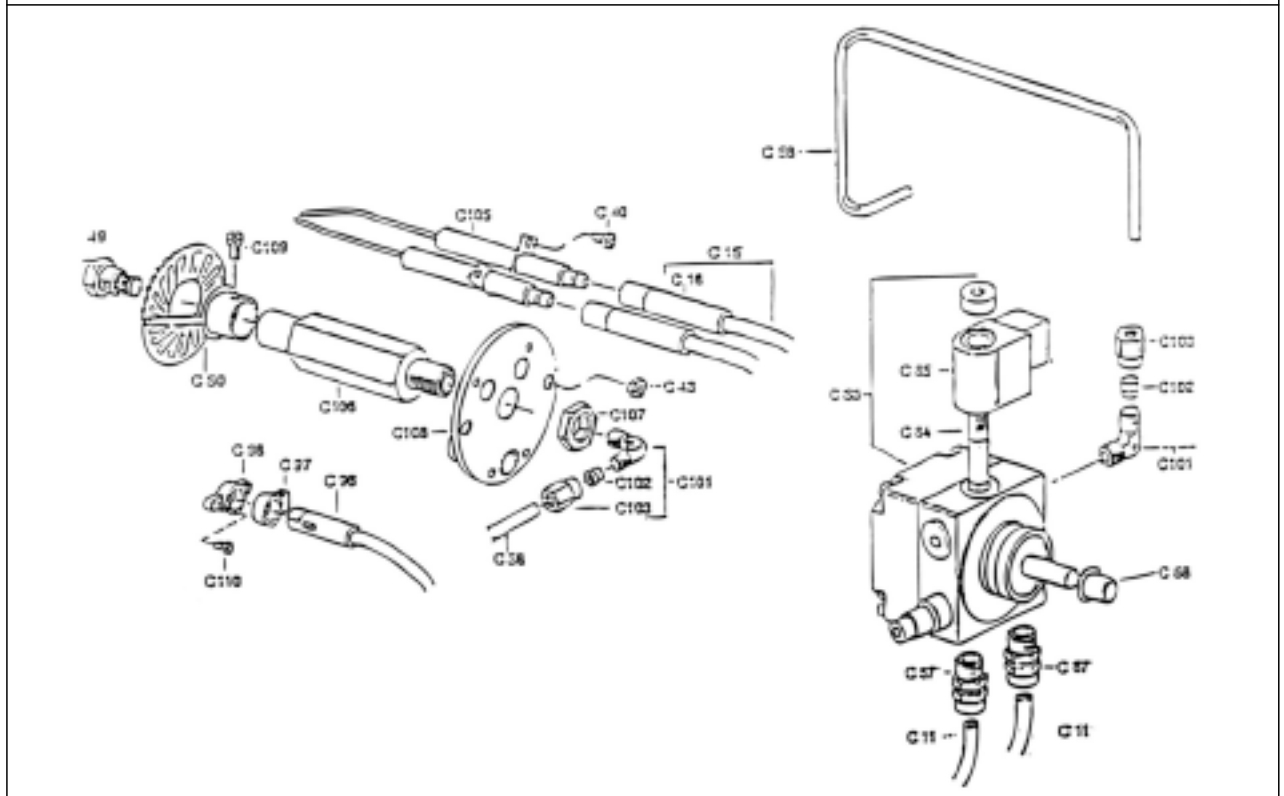
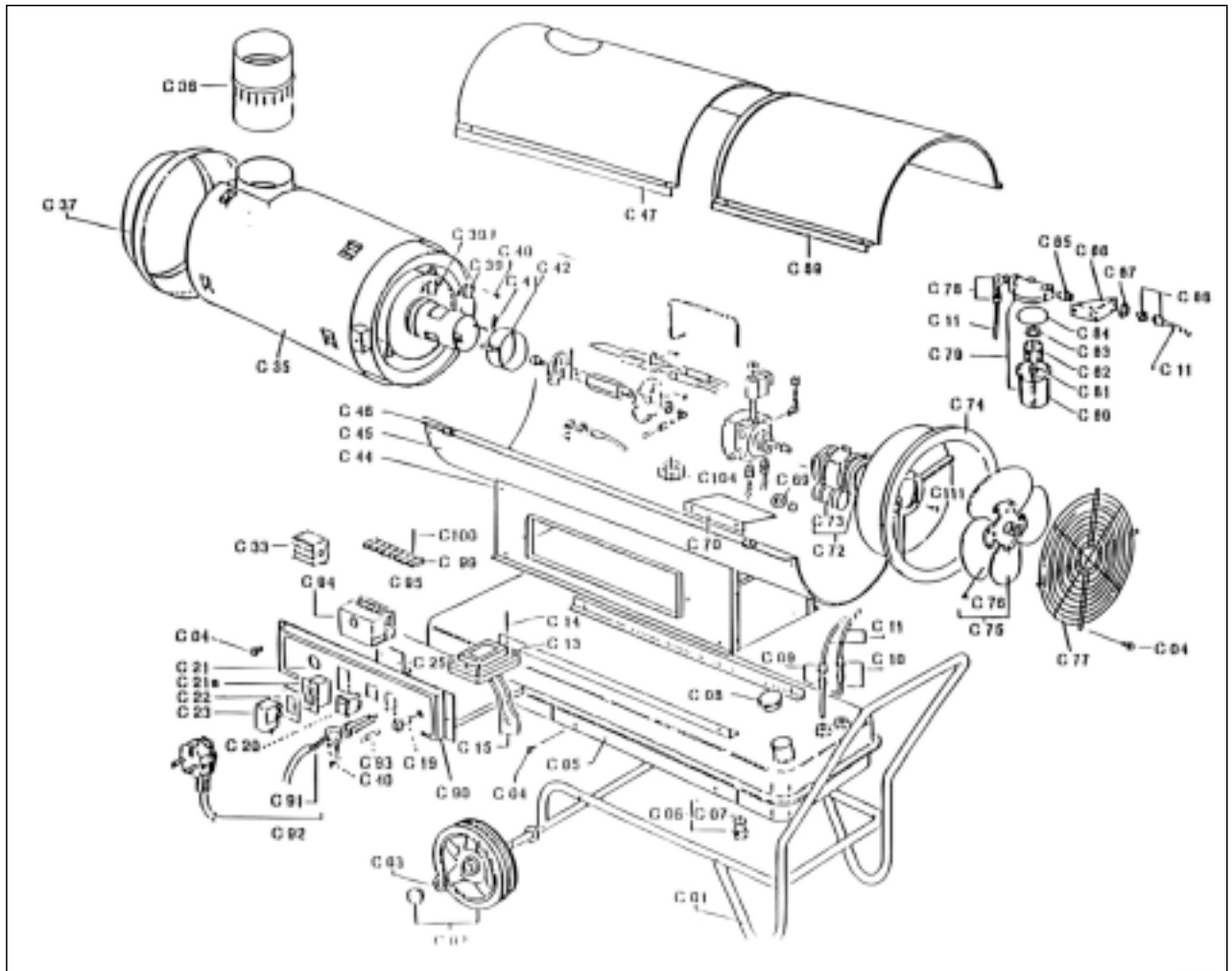




# Spareparts VENTED HEATERS

MODEL BV 100 E - BV 160 E - BV 280 E before 2002

ILLUSTRATED PARTS BREAKDOWN



## Spareparts VENTED HEATERS before 2002

Pos.	Description	BV 100	BV 160	BV 280
C01	FRAME	S/R	S/R	S/R
C02	WHEEL	4031.133	4031.133	4031.134
C03	WHEEL-HOLDER	4031.175	4031.175	4031.177
C04	SCREW	S/R	S/R	S/R
C05	FUEL TANK	4031.004	4031.004	4031.006
C06	DRAIN PLUG	4031.013	4031.013	4031.013
C07	DRAIN PLUG OR	S/R	S/R	S/R
C08	TANK PLUG	4031.145	4031.145	4031.145
C09	PIPE CONNECTION 1/4"MX6	S/R	S/R	S/R
C10	PIPE CONNECTION / CONNECTION STRAIGH 1/4"MX6	S/R	S/R	S/R
C11	FUEL PIPE 6 MM	4031.140	4031.140	4031.140
C13	TRANSF.HT 220V	4031.035	4031.035	4031.035
C14	SCREW TC 8X1"1/2"	S/R	S/R	S/R
C15	H.T. CABLE	4031.097	4031.097	4031.097
C16	CONNECTING PLUG H.T.	S/R	S/R	S/R
C19	PILOT LAMP 220 V	S/R	S/R	S/R
C20	SWITCH MAN-AUT	4031.170	4031.170	4031.170
C21	THERMOSTAT SOCKET	S/R	S/R	S/R
C21A	PLATE SUPPORT	S/R	S/R	S/R
C22	PLATE PLUG	S/R	S/R	S/R
C23	PLUG 3 P+G	4031.089	4031.089	4031.089
C25	CONTROL BOX SUPPORT	S/R	S/R	S/R
C33	RELAY 65,31	4031.040	4031.040	4031.040
C35	COMB.CHAMBER	4031.273	4031.274	4031.276
C36	FLAME GUARD SHIELD	S/R	S/R	S/R
C37	OUTLET CONE	4031.278	4031.278	S/R
C38	CHIMNEY	4031.152	4031.152	4031.277
C39	OVERHEAT THERM.	4031.047	4031.047	4031.047
C39,1	COOL-OFF THERM	4031.045	4031.045	4031.045
C40	SCREW TC 8X3/8"	S/R	S/R	S/R
C41	SCREW TCCE M6X25	S/R	S/R	S/R
C42	AIR REGULAT. FL.	4031.196	4031.196	4031.007
C43	NUT M6	S/R	S/R	S/R
C44	BASE	S/R	S/R	S/R
C45	LOWER BODY	S/R	S/R	S/R
C46	ELASTIC PLATE	S/R	S/R	S/R
C47	UPPER BODY	S/R	S/R	S/R
C48	SCREW TE 10X1/2"	S/R	S/R	S/R
C49.1	NOZZLE 0,65 GPH 80	4031.02	S/R	S/R
C49.2	NOZZLE 1 GPH 80	S/R	4031.025	S/R
C49.3	NOZZLE 1,50 GPH 80	S/R	S/R	4031.03
C50	DIFFUSOR	4031.066	4031.066	4031.066
C58	OIL PUPPLY PIPE <1997>	4031.105	4031.105	4031.105
C63.1	PUMP SUNTEC AS 47	4031.050	4031.050	4031.050
C63.2	PUMP DANFOSS	4031.197	4031.197	4031.197
C64.1	VALVE SOLENOID SUNTEC	4031.055	4031.055	4031.055
C64.2	VALVE SOLENOID DANFOSS	4031.195	4031.195	S/R
C65.1	SPOOL SOLEN DANFOSS	4031.019	4031.019	4031.019
C65.2	SPOOL SOLEN SUNTEC	4031.300	4031.300	4031.300
C67	CONNECTOR	4031.160	4031.160	4031.160
C68.1	COUPLING K1	4031.060	4031.060	S/R

S/R = Parts Available by Special Request Only

## Spareparts VENTED HEATERS before 2002

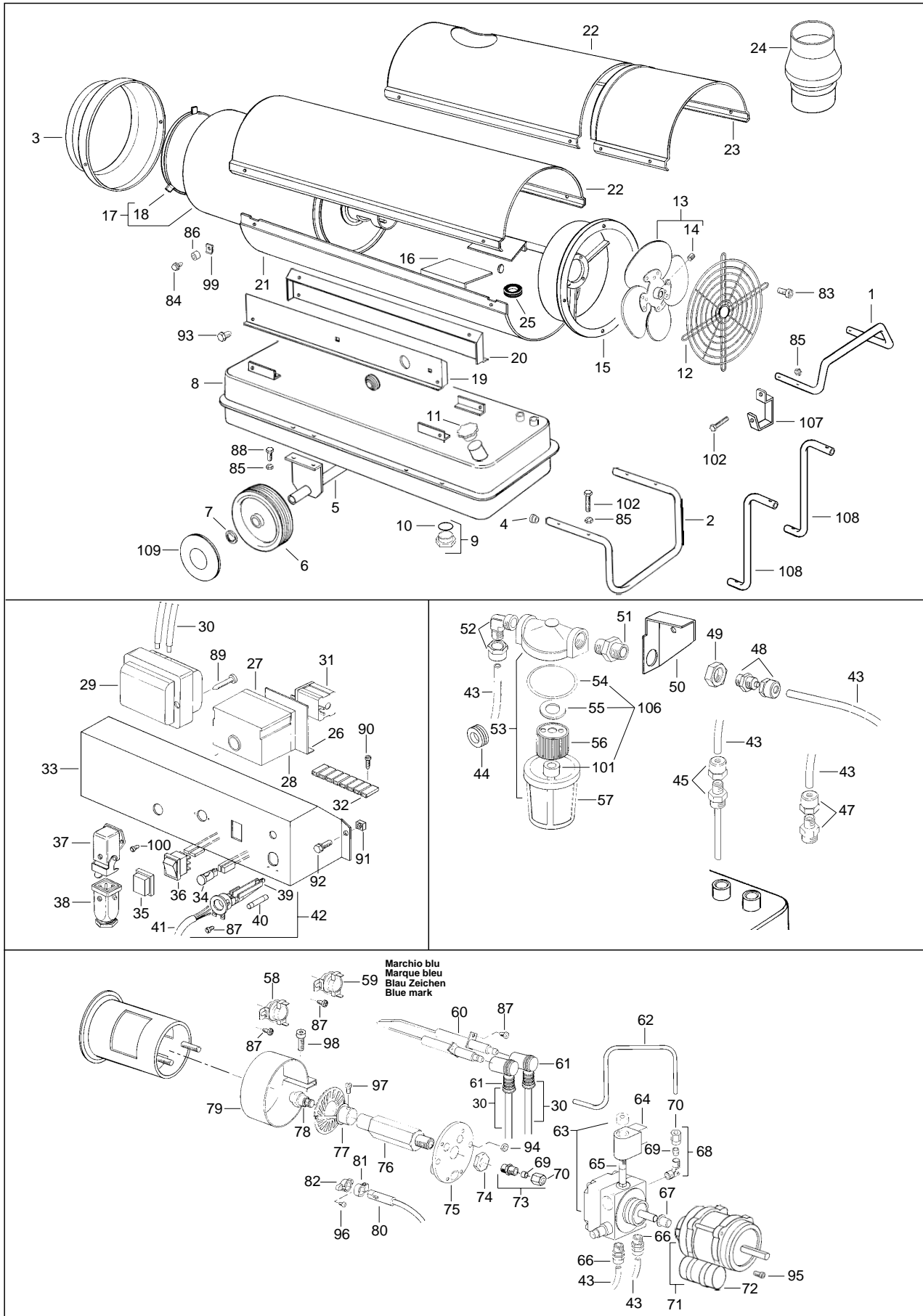
Pos.	Description	BV 100	BV 160	BV 280
C68.2	COUPLING K2	S/R	S/R	4031.065
C69	PROTECTION CABLE 0 18	S/R	S/R	S/R
C70	AIR FLAP	S/R	S/R	S/R
C72	MOTOR 130W	4031.130	4031.131	4031.125
C73	CAPACITOR / 5UF	4031.165	4031.165	4031.166
C74	MOTOR FLANGE	S/R	S/R	S/R
C75.1	FAN 300MM 18	4031.270	S/R	S/R
C75.2	FAN 300MM 27	S/R	4031.271	S/R
C75.3	FAN 500MM 33	S/R	S/R	4031.272
C76	GRUB SCREW M8X8	S/R	S/R	S/R
C77	REAR INLET GRILL	S/R	S/R	4031.137
C78	CONNECTION 90 3/8" MX6 / STRAIGHT 3/8" MX6	S/R	S/R	S/R
C79	FILTER 3/8" KIT	4031.070	4031.070	4031.070
C80	FILTER HOUSING	4031.180	4031.180	4031.180
C81	FILTER SEAL	4031.191	4031.191	4031.191
C82	FILTER ELEMENT	4031.015	4031.015	4031.015
C83	TOPSEAL OILFILTER	4031.075	4031.075	4031.075
C84	FILTER O-RING	4031.150	4031.150	4031.150
C85	DOUBLE SCREW	S/R	S/R	S/R
C86	FILTER SUPPORT	4031.011	4031.011	4031.011
C87	NUT 3/8"X5	S/R	S/R	S/R
C88	CONNECT. STRAIGHT 1/8" MX6	S/R	S/R	S/R
C89	UPPER BODY	S/R	S/R	S/R
C90	ELECT. COMPONENTS DRAWER	S/R	S/R	S/R
C91	CABLE FASTENER	S/R	S/R	S/R
C92	EL. WIRE WITH PLUG (PVC)	S/R	S/R	S/R
C93.1	FUSE 6 A 6X30 4	031.080	4031.080	S/R
C93.2	FUSE 10 A 6X30	S/R	S/R	4031.085
C94	CONTROL BOX LANDIS & GYR	4031.005	4031.005	4031.005
C95	CONRTOL BOX BASE LANDIS & GYR	4031.010	4031.010	4031.010
C96	PHOTOCELL LANDIS & GYR	4031.090	4031.090	4031.090
C97	PHOTOCELL CLAMP	4031.009	4031.009	4031.009
C98	PHOTOCELL FLANGE	4031.008	4031.008	4031.008
C99	TERMINAL BOARD	S/R	S/R	S/R
C100	CREW TC 4X1/2"	S/R	S/R	S/R
C101	CONNECTION 1/8"M4	4031.096	4031.096	4031.096
C102	BICONE 4 MM	4031.115	4031.115	4031.115
C103	NUT FOR BICONE	4031.110	4031.110	4031.110
C104	PROTECTION CABLE 0 35	S/R	S/R	S/R
C105	ELECTRODE	4031.095	4031.095	4031.095
C106	NOZZLE SUPPORT	4031.012	4031.012	4031.012
	OIL PREHEATER	4031.120	4031.120	4031.120
	CLIP NUT M6	4031.215	4031.215	4031.215
	RM THERMOSTAT LS/1	4031.264	4031.264	4031.264
	CARTR. FILTER DANFOSS	S/R	S/R	S/R

S/R = Parts Available by Special Request Only

# Spareparts VENTED HEATERS

MODEL BV 100 E - BV 160 E - BV 280 E from 2002

ILLUSTRATED PARTS BREAKDOWN



## Spareparts VENTED HEATERS from 2002

Pos.	Description	BV 100	BV 160	BV 280
<b>MAIN BODY</b>				
1	FRAME HANDLE	S/R	S/R	S/R
2	FRAME BEARING	S/R	S/R	S/R
3	OUTLET CONE	4031.278	4031.278	S/R
4	PLUG	S/R	S/R	S/R
5	AXLE	S/R	S/R	S/R
6	WHEEL 200 MM	4031.133	4031.133 -	
6.1	WHEEL 250 MM	-	-	4031.134
7	WHEEL HOLDER 20 MM	4031.175	4031.175	-
7.1	WHEEL HOLDER 25 MM	-	-	4031.177
8	FUEL TANK	4031.004	4031.004	-
8.1	FUEL TANK	-	-	4031.006
9	DRAIN PLUG	4031.013	4031.013	4031.013
10	DRAIN PLUG OR	S/R	S/R	S/R
11	TANK PLUG	4031.145	4031.145	4031.145
12	REAR INLET GRILL	S/R	S/R	-
12.1	REAR INLET GRILL	-	-	4031.137
13.1	FAN 300MM 18 DGR	4031.270	-	-
13.2	FAN 300MM 27 DGR	-	4031.271	-
13.3	FAN 500MM 33 DGR	-	-	4031.272
14	GRUB SCREW	S/R	S/R	S/R
15	MOTOR SUPPORT	4031.139	4031.139	4031.138
16	AIR FLAB S/R S/R S/R			
17.1	COMBUSTION CHAMBER	4031.273	-	-
17.2	COMBUSTION CHAMBER	-	4031.274	-
17.3	COMBUSTION CHAMBER	-	-	4031.276
18 F	LAME GUARD SHIELD	S/R	S/R	S/R
19	BASE SX	S/R	S/R	4031.363
20	BASE DX	S/R	S/R	4031.364
21	LOWER BODY	S/R	S/R	S/R
22	UPPER BODY	S/R	S/R	S/R
23	UPPER BODY (REAR)	S/R	S/R	S/R
24	CHIMNEY DIAM. 150 MM	4031.277	4031.277	4031.277
25	CABLE PROTECTION	S/R	S/R	S/R
83	SCREW TC M5X16	S/R	S/R	S/R
84	SCREW TE 10X1/2" FR	S/R	S/R	S/R
85	NUT M6	S/R	S/R	S/R
86	SLEEVE	S/R	S/R	S/R
88	SCREW TE M6X16	S/R	S/R	S/R
93	SCREW TE 14X1/2" FR	S/R	S/R	S/R
99	ELASTIC PLATE U42-032	S/R	S/R	S/R
102	SCREW TE M6X30	S/R	S/R	S/R
107	POWER CORD HOOK	S/R	S/R	S/R
108	SUPPORT BAR	-	-	S/R
109.1	YELLOW PLUG WHEEL DIAM.200MM	S/R	S/R	-
109.2	YELLOW PLUG WHEEL DIAM. 250MM	-	-	S/R

S/R = Parts Available by Special Request Only

## Spareparts VENTED HEATERS

Pos.	Description	BV 100	BV 160	BV 280
<b>CONTROL BOARD</b>				
26	CONTROL BOX SUPPORT	S/R	S/R	S/R
27	CONTROL BOX BASE LANDIS & GYR	4031.010	4031.010	4031.010
28	CONTROL BOX LANDIS & GYR	4031.005	4031.005	4031.005
29	TRANSFORMER H.T. 220 V	4031.035	4031.035	4031.035
30	H.T CABLE	4031.097	4031.097	4031.097
31	RELAY 65.31	4031.040	4031.040	4031.040
32	TERMINAL BOARD	S/R	S/R	S/R
33	ELECTR. COMP. DRAWER	S/R	S/R	S/R
34	PILOT LAMP	4031.169	4031.169	4031.169
35	SWITCH COVER	S/R	S/R	S/R
36	SWITCH MAN - AUT.	4031.170	4031.170	4031.170
37	SOCKET 4 PIN 90 DGR.	4031.088	4031.088	4031.088
38	PLUG 4 PIN CONNECTED ( 2&3 )	4150.696	4150.696	4150.696
39	CABLE FASTENER	S/R	S/R	S/R
40	FUSE 6 A ( 6 X 30)	4031.080	4031.080	-
40.1	FUSE 10 A ( 6 X 30)	-	-	4031.085
41	EL. WIRE WITH PLUG	S/R	S/R	S/R
42	EL. WIRE WITH PLUG & CABLE FASTENER	S/R	S/R	S/R
89	SCREW TC 8 X 1" 1/2"	S/R	S/R	S/R
90	SCREW TC 4 X 1/2"	S/R	S/R	S/R
91	NUT CLAMP M6	4031.215	4031.215	4031.215
92	SCREW TE M6 X 16	S/R	S/R	S/R
100	SCREW TC 4X 3/8"	S/R	S/R	S/R
<b>FILTER CONNECTION</b>				
43	FLEX FUEL PIPE DIAM 6MM	4031.140	4031.140	4031.140
44	CABLE PROTECTION	S/R	S/R	S/R
45	FUEL PICK UP TUBE	4031.148	4031.148	4031.148
47	CONNECTION STRAIGHT 1/4 " MX6	4031.160	4031.160	4031.160
48	CONNECTION STRAIGHT 1/8" MX6	S/R	S/R	S/R
49	NUT 3/8" X 5	4031.800	4031.800	4031.800
50	FILTER SUPPORT	4031.011	4031.011	4031.011
51	DOUBLE SCREW	4031.802	4031.802	4031.802
52	CONNECTION 90 DGR 3/8" MX6	4031.803	4031.803	-
52.1	CONNECTION STRAIGHT 3/8" MX6	-	-	4031.804
53	FILTER COMPLETE 3/8"	4031.070	4031.070	4031.070
54	FILTER O RING	4031.150	4031.150	4031.150
55	TOP SEAL OIL FILTER	4031.075	4031.075	4031.075
56	FILTER ELEMENT	4031.015	4031.015	4031.015
57	FILTER HOUSING	4031.180	4031.180	4031.180
101	LOWER OIL FILTER SEAL	4031.191	4031.191	4031.191
<b>MOTOR &amp; BURNER PARTS</b>				
30	H.T CABLE	4031.097	4031.097	4031.097
58	COOL OFF THERMOSTAT (FAN)	4031.047	4031.047	4031.047

S/R = Parts Available by Special Request Only

## Spareparts VENTED HEATERS

Pos.	Description	BV 100	BV 160	BV 280
59	OVERHEAT THERMOSTAT (BLUE DOT)	4031.045	4031.045	4031.045
60	ELECTRODE	4031.095	4031.095	4031.095
61	CABLE CONNECTION 90 DGR	S/R	S/R	S/R
62	OIL SUPPLY PIPE ( DIAM 4 MM)	4031.106	4031.106	4031.106
62.1	OIL SUPPLY PIPE ( DIAM 4 MM) < 97	4031.105	4031.105	4031.105
63	DANFOSS PUMP	4031.197	4031.197	4031.197
63.1	SUNTEC PUMP < 95	4031.050	4031.050	4031.050
64	SPOOL DANFOSS	4031.019	4031.019	4031.019
64.1	SPOOL SUNTEC < 95	4031.300	4031.300	4031.300
65	VALVE DANFOSS	4031.195	4031.195	4031.195
65.1	VALVE SUNTEC < 95	4031.055	4031.055	4031.055
66	CONNECTION STRAIGH 1/4" MX6	S/R	S/R	S/R
67	COUPLING K1	4031.060	4031.060	-
67.1	COUPLING K2	-	-	4031.065
68	CONNECTION 90 DGR 1/8" MX4	4031.096	4031.096	4031.96
69	BICONE 4 MM	4031.115	4031.115	4031.115
70	NUT FOR BICONE	4031.110	4031.110	4031.110
71.1	MOTOR 130 W	4031.130	-	-
71.2	MOTOR 200 W	-	4031.131	-
71.3	MOTOR 750 W	-	-	4031.125
72.1	CAPACITOR 5 UF	4031.165	-	-
72.2	CAPACITOR 6.3 UF	-	4031.304	-
72.3	CAPACITOR 16 UF	-	-	4031.166
73	CONNECTION STRAIGHT 1/8" MX6	S/R	S/R	S/R
74	NUT M14	S/R	S/R	S/R
75	BURNER FLANGE	S/R	S/R	S/R
76	NOZZLE SUPPORT	4031.012	4031.012	4031.012
77	DIFFUSOR	4031.066	4031.066	4031.066
78.1	NOZZLE 0.65 GPH 80 DGR	4031.020	-	-
78.2	NOZZLE 1 GPH 80 DGR	-	4031.025	-
78.3	NOZZLE 1.50 GPH 80 DGR	-	-	4031.030
79	AIR REGULATION FLAP	4031.196	4031.196	-
79.1	AIR REGULATION FLAP	-	-	4031.007
80	PHOTO CELL	4031.090	4031.090	4031.090
81	PHOTOCELL CLAMP	4031.009	4031.009	4031.009
82	PHOTOCELL FLANGE	4031.008	4031.008	4031.008
87	SCREW TC 8X3/8"	S/R	S/R	S/R
94	NUT M5	S/R	S/R	S/R
95	SCREW	S/R	S/R	S/R
96	SCREW TC 6X1/2"	S/R	S/R	S/R
97	SCREW TC M4X8	S/R	S/R	S/R
98	SCREW TCEI M6X25	S/R	S/R	S/R

S/R = Parts Available by Special Request Only

## Spareparts VENTED HEATERS

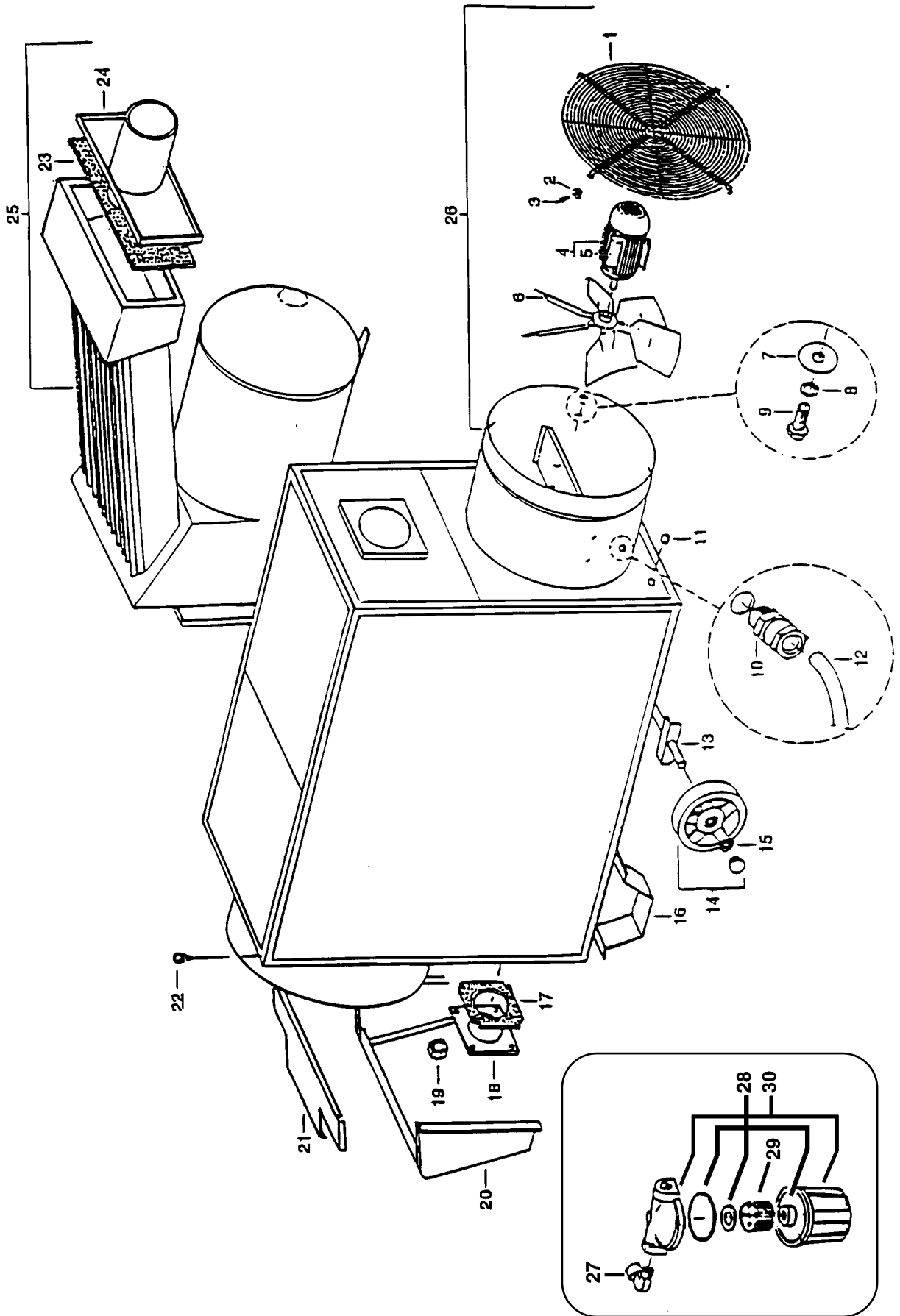
Pos.	Description	BV 440 <97
1	INLET GRILLE	4031.189
2	ELASTIC PLATE M5	4031.182
3	SCREW TC M5X16	S/R
4	1.5 HP 3-MOTOR	4031.253
5	45 UF CONDENSER	4031.212
6	FAN Ø 550 MM 36	4031.263
7	WASHER 6X24X2	S/R
8	ELASTIC GROVER WASHER Ø 6	S/R
9	SCREW TE M6X16	S/R
10	CABLE FASTENER PG 11	S/R
11	CABLE PROTECTION Ø 18	S/R
12	KABEL 4X1 (MT)	S/R
13	AXLE	4031.157
14	WHEEL Ø 250X50	4031.134
15	WHEEL HOLDER Ø 25	4031.177
16	BEARING	4031.183
17	GASKET	4031.201
18	BURNER SUPPORT	S/R
19	1" IRON PLUG	S/R
20	BURNER COVER	4031.185
21	TOP COVER BURNER	4031.190
22	SUSPENDING RING SCREW M10	4031.332
23	THERMAL ISULATION	4031.203
24	CHIMNEY INSPECTION DOOR	S/R
25	COMBUSTION CHAMBER	S/R
26	1,5 HP FAN 3-	S/R
27	CONNECTION 90" 1/4 MF	4031.222
28	FILTER HEAD	S/R
29	FILTER OR	S/R
30	UPPER SEAL	4031.181
31	FILTER CARTRIDGE	S/R
32	LOWER SEAL	S/R
33	FILTER HOUSING	S/R
34	FILTER 1/4	S/R
35	BITHERMOSTAT TTCA	4031.194
36	EL. COMPONENTS BOX	4031.261
37	TERMINAL BOARD 6MM 2	S/R
38	CONTROL KNOB 1-0-2	4031.268
39	FUSE HOLDER	4031.206
40	6,3 A FUSE (5X20)	4031.102
41	10 A FUSE (5X20)	4031.101
42	RED PILOT LAMP Ø 10	4031.260
43	4P + G SOCKET	4031.086
44	4P + G PLUG	4031.087
45	3P + G SOCKET	4031.088
46	3P + G PLUG	4031.089
47	EL. WIRE 5X1.5 (MT)	S/R
48	EL. COMPONENTS DRAWER	4031.198
49	FUSE HOLDER UN. (5X20)	4031.188

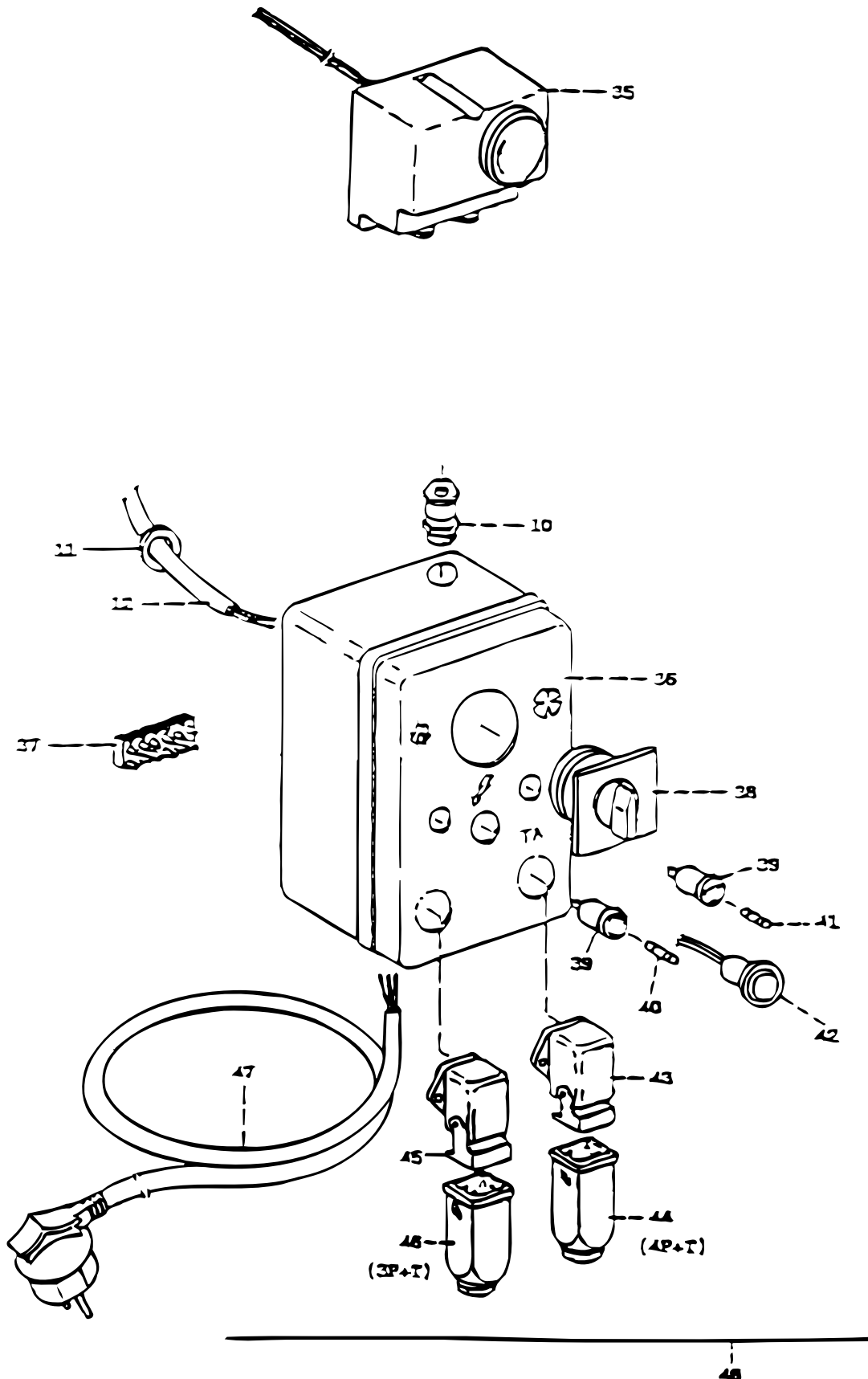
S/R = Parts Available by Special Request Only

Spareparts VENTED HEATERS

MODEL BV 440 <97

ILLUSTRATED PARTS BREAKDOWN

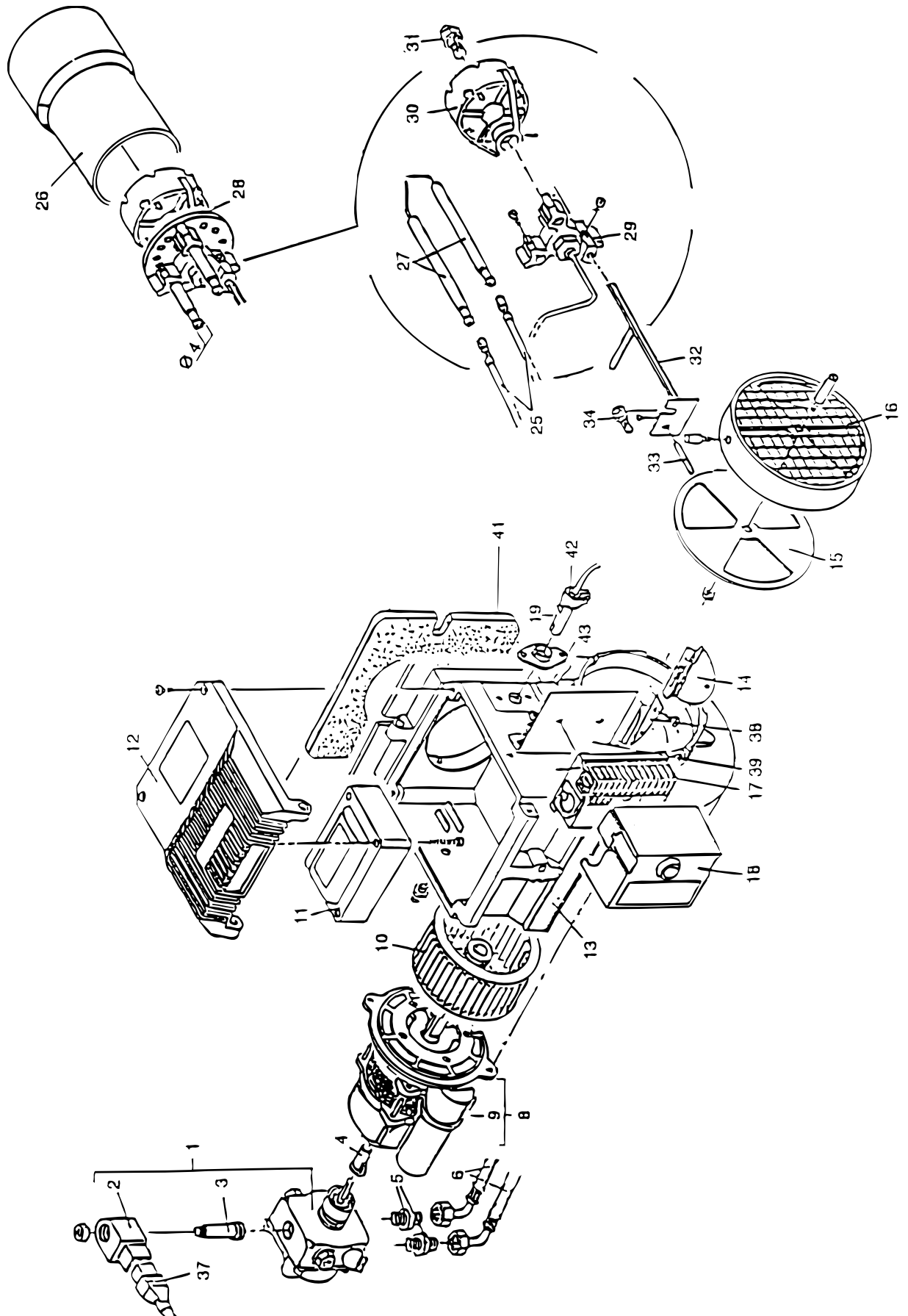




# Spareparts VENTED HEATERS

MODEL BV 440 <97

ILLUSTRATED PARTS BREAKDOWN



## Spareparts VENTED HEATERS (BURNER MINOR 12 <1997)

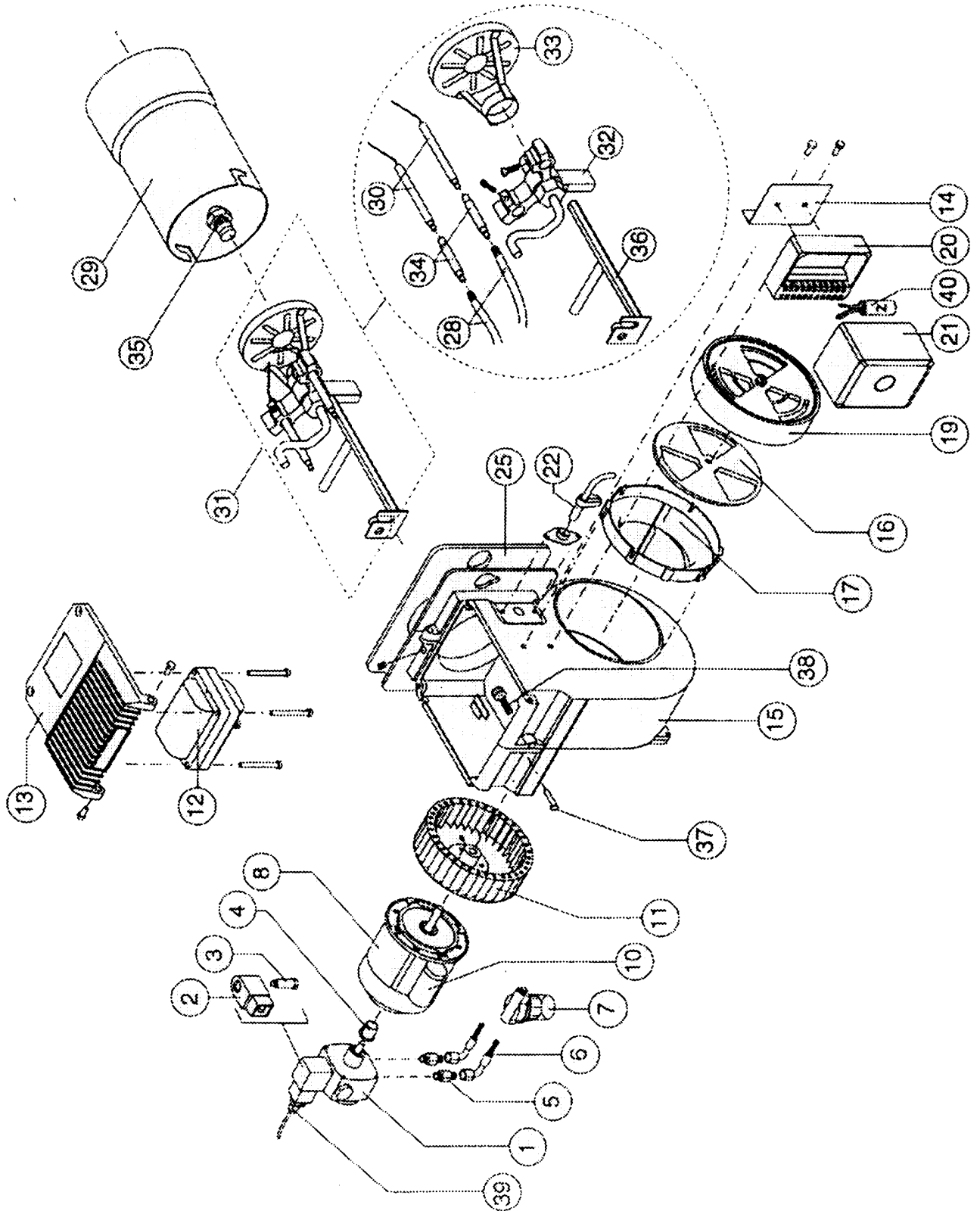
Pos.	Description	BV 440 E <1997
1	DANFOSS PUMP	4031.197
1.1	SUNTEC PUMP AS 47	4031.050
2	DANFOSS SPOOL	4031.019
2.1	SUNTEC SPOOL	4031.300
3	DANFOSS VALVE	4031.195
3.1	SUNTEC VALVE	4031.055
4	COUPLING K1	4031.060
5	NIPPLE FE 1/4" FF90	4031.234
6	PIPE FLEX L=400 MM	4031.257
7	OIL PREHEATER	4031.121
8	MOTOR 130 W	4031.254
9	CAPACITOR 6.3UF	4031.165
10	FAN 124 X 60	4031.209
11	H.T TRANSFORMER 8/20	4031.098
12	ALLUMINIUM COVER	S/R
13	BURNER BODY	4031.280
14	AIR FLAP	S/R
15	AIR DAMPER	4031.252
16	PLASTIC AIR INLET	4031.258
17	CONTR. BOX BASE LANDIS & GYR	4031.010
18	CONTR. BOX LANDIS & GYR LOA 21	4031.005
19	PHOTOCELL LANDIS & GYR	4031.090
25	HT CABLES	4031.200
26	BLAST TUBE	4031.247
27	ELECTRODE SET (2 PIECES)	4031.338
28	FIRING HEAD COMPLETE	4031.251
29	NOZZLE HOLDER	4031.256
30	DIFFUSER	4031.237
31	NOZZLE 2.5 GPH 60 DGR	4031.100
32	ROD L.200	4031.259
33	INDEX	S/R
34	HEAD SETTING SCREW	4031.211
37	CABLE	S/R
39	CONTROL BOX BASE	S/R
41	SEAL (170 X 145)	4031.199
42	PHOTOCELL RING	4031.009
43	PHOTOCELL FLANGE	4031.008
*** 27	ELECTRODE RIGHT	4031.204
	ELECTRODE LEFT	4031.208

S/R = Parts Available by Special Request Only

Spareparts VENTED HEATERS

MODEL BV 440 >97

ILLUSTRATED PARTS BREAKDOWN





## Spareparts VENTED HEATERS (BURNER MINOR 12 >1997)

Pos.	Description	BV 440 E >1997
1	DANFOSS PUMP	4031.197
1.1	SUNTEC PUMP AS 47	4031.050
2	DANFOSS SPOOL	4031.019
2.1	SUNTEC SPOOL	4031.300
3	DANFOSS VALVE	4031.195
3.1	SUNTEC VALVE	4031.055
4	COUPLING K1	4031.060
5	NIPPLE FE 1/4" FF90	4031.234
6	PIPE FLEX L=400 MM	4031.257
7	OIL PREHEATER	4031.121
8	MOTOR 130 W	4031.254
9	SUPPORT	S/R
10	CAPACITOR 6.3UF	4031.165
11	FAN 124 X 60	4031.209
12	H.T TRANSFORMER 8/20	4031.098
13	ALLUMINIUM COVER	S/R
13	BURNER BODY	4031.280
14	SUPPORT	S/R
15	FAN HOUSING/BURNER BODY	4031.280
16	AIR DAMPER	4031.252
17	AIR CONVEYOR	S/R
18	AIR DAMPER SCREW	S/R
19	COVER AIR INLET	4031.258
20	CONTR. BOX BASE BRAHMA > 97	4031.016
21	CONTR. BOX BRAHMA >97	4031.014
22	PHOTOCELL BRAHMA	4031.018
23	WIRING TERMINAL BOX	S/R
24	PROTECTION BOX	4031.312
25	SEAL	4031.199
26	FLANGE	S/R
27	O-RING	S/R
28	HT CABLES	4031.200
29	BLAST TUBE	4031.247
30	ELECTRODE SET (2 PIECES)	4031.338
31	FIRING HEAD COMPLETE	4031.251
32	NOZZLE HOLDER	4031.256
33	DIFFUSER	4031.237
34	ANTI DISTURB HEATER	4031.283
35	NOZZLE 2.5 GPH 60 DGR	4031.100
36	ROD L.200	4031.259
37	INDEX	S/R
38	HEAD SETTING SCREW	4031.211
39	CABLE	S/R
40	ANTIDISTURB FILTER	4031.282

S/R = Parts Available by Special Request Only

**Spareparts VENTED HEATERS (BURNER MINOR 12 >1997)**

---

<b>Pos.</b>	<b>Description</b>	<b>BV 440 E &gt;1997</b>
<b>ELECTRIC COMPONENTS BOX.</b>		
10	CABLE FASTENER	S/R
11	CABLE PROTECTION 18 MM	S/R
12	CABLE 3 X 1.5 (MT)	S/R
35	FAN LIMIT CONTROL MANUAL	4031.207
35.1	FAN LIMIT AUTOMATIC	4031.194
35.2	FAN LIMIT CONTROL ALRE > 97	4031.265
36	ELECTRIC COMPONENTS BOX	4031.261
37	TERMINAL BOARD	S/R
38	CONTROL KNOB 1-0-2	4031.268
39	FUSE HOLDER	4031.206
40	FUSE 6.3 A	4031.102
41	FUSE 10 A	4031.101
42	RED PILOT LAMP	4031.260
43	FEMALE PLUG 90 DGR 5-PIN	4031.086
44	MALE PLUG 5 PIN CONNECTED	4031.089
45	FEMALE PLUG 90 DGR 4-PIN	4031.088
46	MALE PLUG 4 PIN CONNECTED	4031.087
47	ELECTRIC WIRE 3X1.5 WITH PLUG	S/R
***48	ELECTRIC COMP. BOX COMPLETE	4031.198

S/R = Parts Available by Special Request Only





## Spareparts VENTED HEATERS

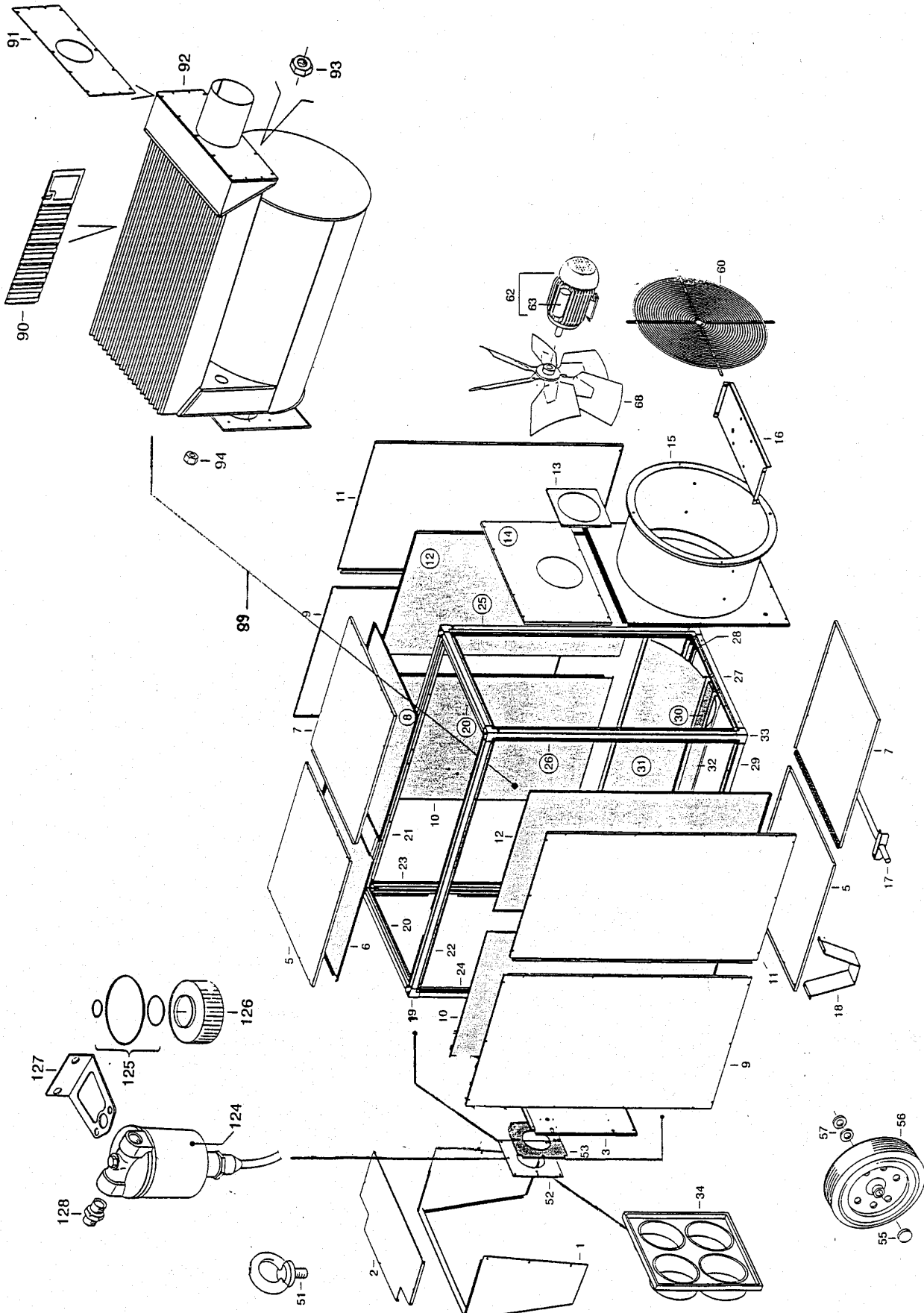
Pos.	Description	BV 440 E	BV 460 E
1	BURNER COVER	4031.185	4031.342
2	TOP BURNER COVER	4031.190	4031.343
3	BURNER PANEL	S/R	S/R
4	4-WAY OUTLET PANEL	4031.234	S/R
5	FRONT UPPER PANEL	S/R	S/R
6	INNER PANEL (FRONT)	S/R	S/R
7	REAR UPPER PANEL	S/R	S/R
8	INNER PANEL (REAR)	S/R	S/R
9	SIDE PANEL	S/R	S/R
10	INNER PANEL	S/R	S/R
11	CHIMNEY FLANGE	S/R	S/R
12	CHIMNEY PANEL	S/R	S/R
13	FAN SUPPORT PANEL	S/R	S/R
14	MOTOR SUPPORT PLATE	S/R	S/R
15	BOTTOM PANEL	S/R	S/R
16	AXLE	4031.157	4031.344
17	FRONT SUPPORT	4031.183	4031.183
18	ALUMINUM JOINT WITH NUT M10	S/R	4031.331
19	UPPER SHORT ANGLE STEEL	S/R	S/R
20	UPPER LONG SX ANGLE STEEL	S/R	S/R
21	UPPER LONG DX ANGLE STEEL	S/R	S/R
22	VERTICAL FRONT SX ANGLE STEEL	S/R	S/R
23	VERTICAL FRONT DX ANGLE STEEL	S/R	S/R
24	VERTICAL BACK SX ANGLE STEEL	S/R	S/R
25	VERTICAL BACK DX ANGLE STEEL	S/R	S/R
26	LOWER SHORT ANGLE STEEL	S/R	S/R
27	LOWER LONG SX ANGLE STEEL	S/R	S/R
28	LOWER LONG DX ANGLE STEEL	S/R	S/R
29	COMB. CHAMBER SUPPORT S/R	S/R	-
30	COMB. CHAMBER SX SUPPORT	S/R	S/R
31	COMB. CHAMBER DX SUPPORT	S/R	S/R
32	ALUMINUM JOINT	S/R	S/R
51	SUSPENDING RING SCREW M10	4031.332	S/R
52	BURNER SUPPORT	4031.118	S/R
53	BURNER PLATE SEAL	4031.201	S/R
56	WHEEL (DIAM 250 MM)	4031.134	4031.134
56.1	WHEEL ( DIAM 340MM)	4031.132	4031.132
57	WASHER	4031.325	4031.125
62	MOTOR HP 1,5	4031.253	4031.345
63	CAPACITOR 45 UF	4031.212	-
63.1	CAPACITOR 32 UF	4031.346	-
68	FAN 550 MM 36 DGR	4031.263	-
68.1	FAN 560 MM	4031.347	-
89	COMBUSTION CHAMBER	S/R	S/R
90	BAFFLE PLATE	S/R	-
91	CHIMNEY SEAL	4031.203	4031.365
92	CHIMNEY INSPEKTION DOOR	S/R	S/R
125	FILTER KIT OIL PREHEATER	4031.181	4031.181
126	FILTER OIL PREHEATER	4031.179	4031.179
127	BRACKET OIL PREHEATER	4031.122	4031.122
128	CONNECTION 3/8"- 1/4"	4031.222	4031.222
130	WHEEL HOLDER DIAM 25MM	4031.232	4031.232
131	PLASTIC PLUG	4031.178	4031.178
133	ELASTIC PLATE M5	4031.182	-
134	INLET GRILLE	4031.189	S/R

S/R = Parts Available by Special Request Only

# Spareparts VENTED HEATERS

## MODEL BV 680 E

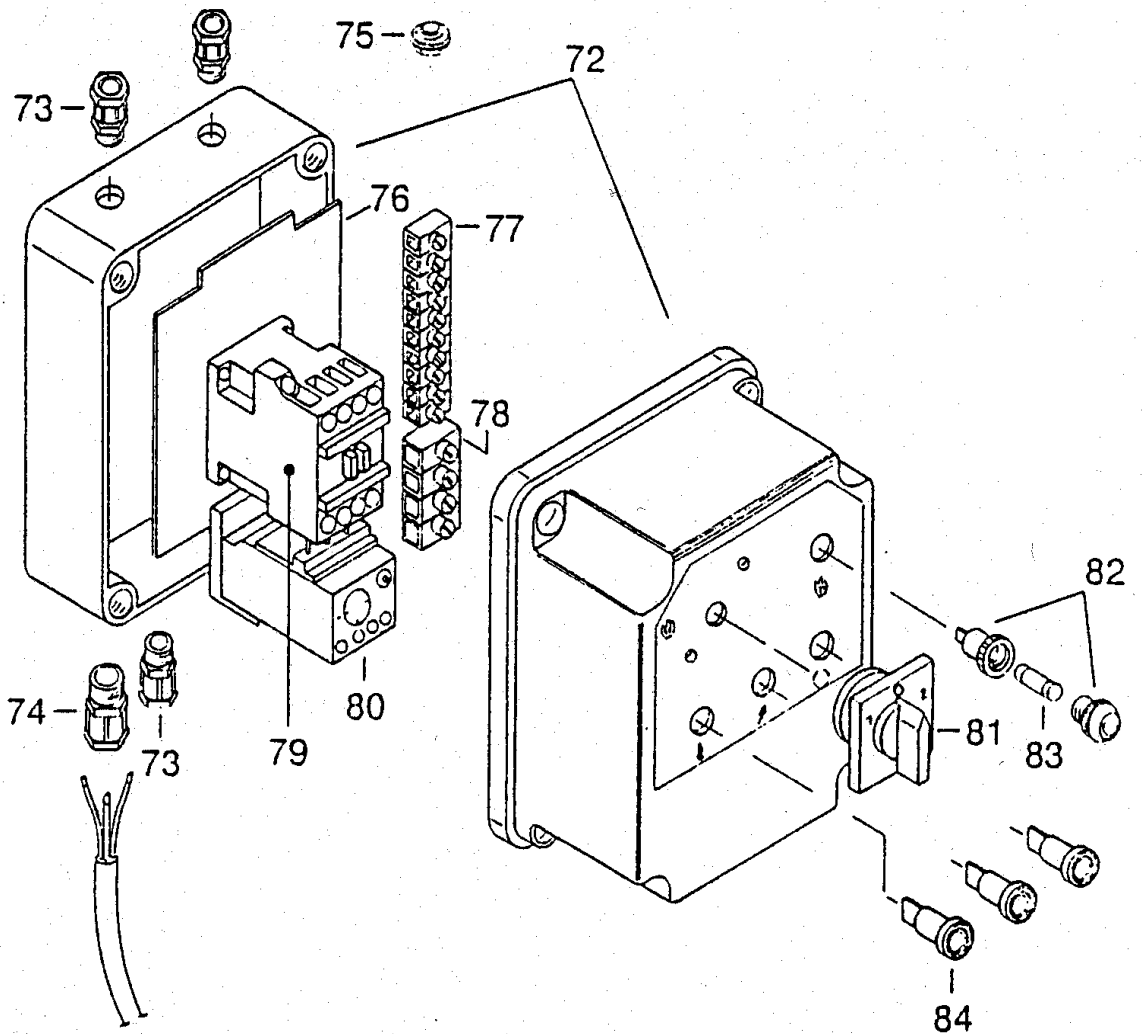
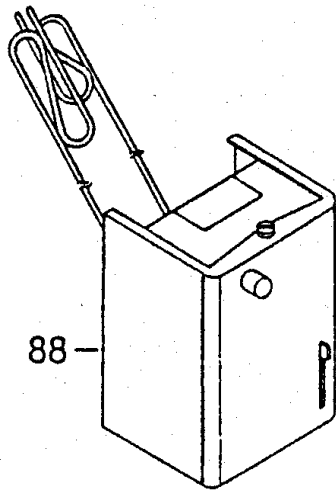
## ILLUSTRATED PARTS BREAKDOWN



# Spareparts VENTED HEATERS

MODEL BV 460 E - BV 680 E

ILLUSTRATED PARTS BREAKDOWN



## Spareparts VENTED HEATERS

Pos.	Description	BV 680 E
1	BURNER COVER	4031.185
2	TOP BURNER COVER	4031.190
3	BURNER PANEL	S/R
5	FRONT UPPER PANEL	S/R
6	INNER PANEL (FRONT)	S/R
7	REAR UPPER PANEL	S/R
8	INNER PANEL (REAR)	S/R
9	SIDE PANEL (FRONT)	S/R
10	INNER SIDE PANEL (FRONT)	S/R
11	SIDE PANEL (REAR)	S/R
12	INNER SIDE PANEL (REAR)	S/R
13	CHIMNEY FLANGE	S/R
14	CHIMNEY PANEL	S/R
15	FAN SUPPORT PANEL	S/R
16	MOTOR SUPPORT PLATE	S/R
17	AXLE	4031.344
18	FRONT SUPPORT	4031.321
19	ALUMINUM JOINT WITH NUT M10	4031.331
20	UPPER SHORT ANGLE STEEL	S/R
21	UPPER LONG SX ANGLE STEEL	S/R
22	UPPER LONG DX ANGLE STEEL	S/R
23	VERTICAL FRONT SX ANGLE STEEL	S/R
24	VERTICAL FRONT DX ANGLE STEEL	S/R
25	VERTICAL BACK SX ANGLE STEEL	S/R
26	VERTICAL BACK DX ANGLE STEEL	S/R
27	LOWER SHORT ANGLE STEEL	S/R
28	LOWER LONG SX ANGLE STEEL	S/R
29	LOWER LONG DX ANGLE STEEL	S/R
30	COMB. CHAMBER SUPPORT	S/R
31	COMB. CHAMBER SX SUPPORT	S/R
32	COMB. CHAMBER DX SUPPORT	S/R
33	ALUMINUM JOINT	S/R
34	4 WAY OUTLET PANEL 300 MM	4013.239
51	SUSPENDING RING SCREW M10	4031.332
52	BURNER SUPPORT	S/R
53	BURNER PLATE SEAL	4031.322
56	WHEEL ( DIAM 385MM)	4031.324
57	WASHER	4031.325
60	INLET GRILLE	S/R
62	MOTOR HP 3	4031.326
63	CAPACITOR 65 UF	4031.327
68	FAN 630 MM	4031.328
72	ELECTRIC COMPONENTS BOX	4031.335
73	CABLE FASTENER PG 9	S/R
74	CABLE FASTENER PG 11	S/R
75	CABLE PROTECTION	S/R
76	ELECT.COMP.SUPPORT PLATE	S/R

S/R = Parts Available by Special Request Only

## Spareparts VENTED HEATERS

Pos.	Description	BV 680 E
77	TERMINAL BOARD 12 EL.MMQ 6	S/R
78	TERMINAL BOARD 12 EL.MMQ 10	S/R
79	WIMEX RELAY	4031.334
80	ISKRA RELAY	4031.336
81	CONTROL KNOB 1-0-2	4031.268
82	FUSE HOLDER	S/R
83	FUSE 6 A (5 X 20)	S/R
84	PILOT LAMP	S/R
88	FAN LIMIT CONTROL ALRE	4031.265
89	COMBUSTION CHAMBER	4031.631
90	BAFFLE PLATE	S/R
91	CHIMNEY SEAL	4031.366
92	CHIMNEY INSPEKTION DOOR	S/R
93	NUT M6 OT	S/R
94	FEMALE PLUG 1"	S/R
125	FILTER KIT OIL PREHEATER	4031.181
126	FILTER OIL PREHEATER	4031.179
127	BRACKET OIL PREHEATER	4031.122
128	CONNECTION 3/8"- 1/4"	4031.222

S/R = Parts Available by Special Request Only

## Spareparts VENTED HEATERS (BURNER MINOR 20)

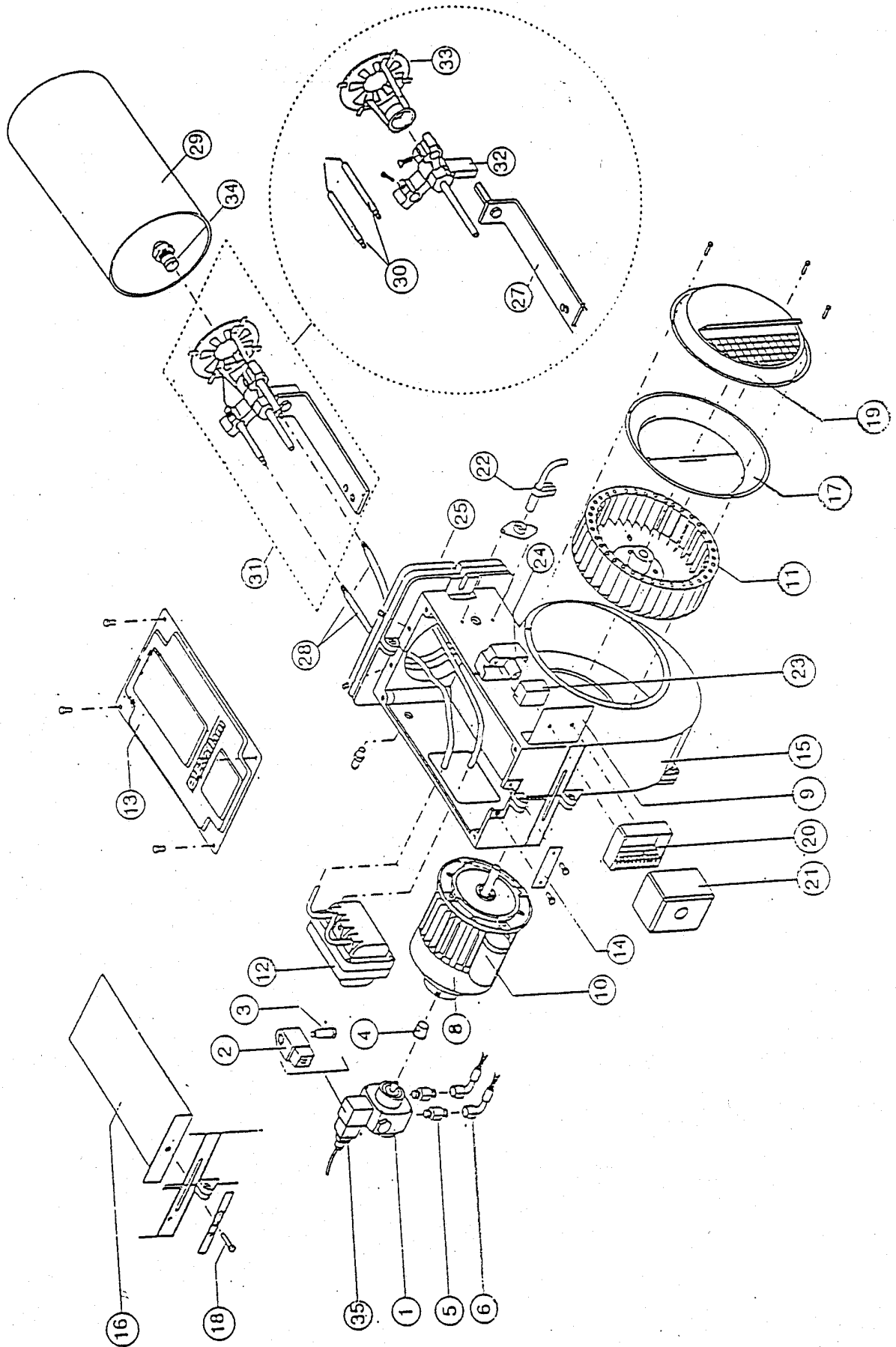
Pos.	Description	BV 460 E	BV 680 E
1	DANFOSS PUMP	4031.197	4031.197
1.1	SUNTEC PUMP AS 47 K	4031.050	4031.050
2	DANFOSS SPOOL	4031.019	4031.019
2.1	SUNTEC SPOOL	4031.300	4031.300
3	DANFOSS VALVE	4031.195	4031.195
3.1	SUNTEC VALVE	4031.055	4031.055
4	COUPLING	4031.329	4031.329
5	NIPPLE	4031.234	4031.234
6	PIPE FLEX L=400 MM	4031.257	4031.257
8	MOTOR 200 W	4031.303	4031.303
10	CAPACITOR 6,3 UF X 200 W	4031.304	4031.304
11	FAN 180 X 40	4031.305	4031.305
12	IGNITION TRANSFORMER	4031.035	4031.035
13	COVER	4031.333	4031.333
14	GLASS	4031.340	4031.340
15	BURNER BODY	4031.330	4031.330
16	AIR DAMPER	4031.307	4031.307
17	AIR CONVEYOR	4031.308	4031.308
18	AIR DAMPER SCREW	4031.309	4031.309
19	COVER AIR INLET	4031.310	4031.310
20	CONTR. BOX BASE BRAHMA	4031.016	4031.016
21	CONTR. BOX BRAHMA	4031.014	4031.014
22	PHOTOCELL BRAHMA	4031.018	4031.018
23	ANTI DISTURB FILTER	4031.311	4031.311
24	PROTECTION BOX	4031.312	4031.312
25	GASKET	4031.313	4031.313
27	FIRING HEAD ADJUSTMENT	4031.341	4031.341
28	HT CABLES	4031.314	4031.314
29	BLAST TUBE	4031.315	4031.315
30	ELECTRODE SET (2 PIECES)	4031.338	4031.316
31	FIRING HEAD	4031.317	4031.317
32	NOZZLE HOLDER	4031.318	4031.318
33	DIFFUSER	4031.319	4031.319
34	NOZZLE	4031.100	4031.335

S/R = Parts Available by Special Request Only

Spareparts VENTED HEATERS

BURNER minor 20 BV 460 E - BV 680 E

ILLUSTRATED PARTS BREAKDOWN



## Spareparts VENTED HEATERS (BF 30 - BF 60 HOUSING)

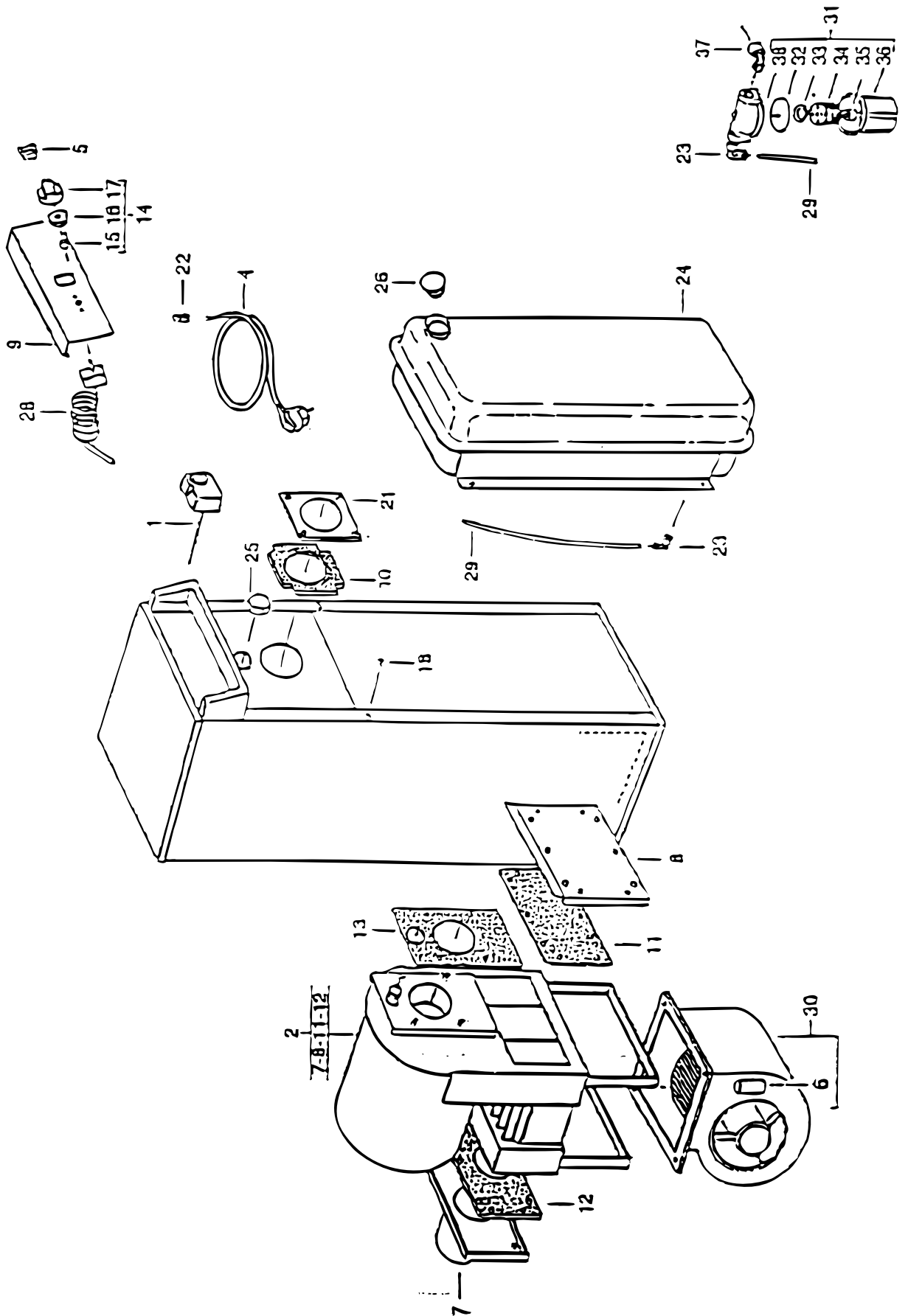
Pos.	Description	MASTER Code	
		BF 30 E	BF 60 E
1	FAN LIMIT CONTROL AUTO	4031.194	S/R
2	COMBUSTION CHAMBER	S/R	S/R
3	BURNER COVER	S/R	S/R
4	POWER CORD (3X1.5)	S/R	S/R
5	CONTROL KNOB	4031.225	S/R
6	CAPACITOR 10UF	4031.219	-
6.1	CAPACITOR 20UF	S/R	4031.221
7	INSPECTION DOOR	S/R	S/R
8	INSPECTION DOOR	S/R	S/R
9	ELECT.COMP.DRAWER	S/R	S/R
10	GASKET	4031.201	4031.201
11	GASKET	4031.255	S/R
12	GASKET	S/R	S/R
13	GASKET	4031.295	4031.295
14	THERMOSTAT KNOB COMPLETE	4031.244	4031.244
15	COUPLING	S/R	S/R
16	INTERMEDIATE SUPPORT	S/R	S/R
17	THERMOSTAT KNOB	S/R	S/R
18	SPRING	4031.241	4031.241
18.1	COVER PIN	4031.224	4031.224
20	SPRING PIN	4031.242	4031.242
21	PLATE	4031.118	4031.118
22	CABLE FASTENER PG 9	S/R	S/R
23	CONNECTION 90DGR 1/4" MX8	4031.223	4031.223
24	FUEL TANK	4031.001	4031.001
25	IRON PLUG 1"	S/R	S/R
26	TANK PLUG	4031.145	4031.145
27	ADJUSTABLE AIR HEAD	4031.146	4031.147
28	THERMOSTAT 0-40 DEGR. C.	4031.243	4031.243
29	RILSAN PIPE DIAM. 8MM	4031.002	4031.002
30	FAN MOTOR COMPLETE	4031.154	4031.156
31	FILTER 1/4"	4031.071	4031.071
32	FILTER O-RING	4031.150	4031.150
33	TOPSEAL OIL FILTER	4031.075	4031.075
34	FILTER ELEMENT	4031.015	4031.015
35	LOWER FILTER SEAL	4031.191	4031.191
36	FILTER HOUSING	4031.180	4031.180
37	CONNECTION 90DGR 1/4" MF	4031.222	4031.222
38	FILTER COVER	S/R	S/R

S/R = Parts Available by Special Request Only

Spareparts VENTED HEATERS

MODEL BF 30 E - BF 60 E

ILLUSTRATED PARTS BREAKDOWN



## Spareparts VENTED HEATERS (BURNER BF 30 - BF 60)

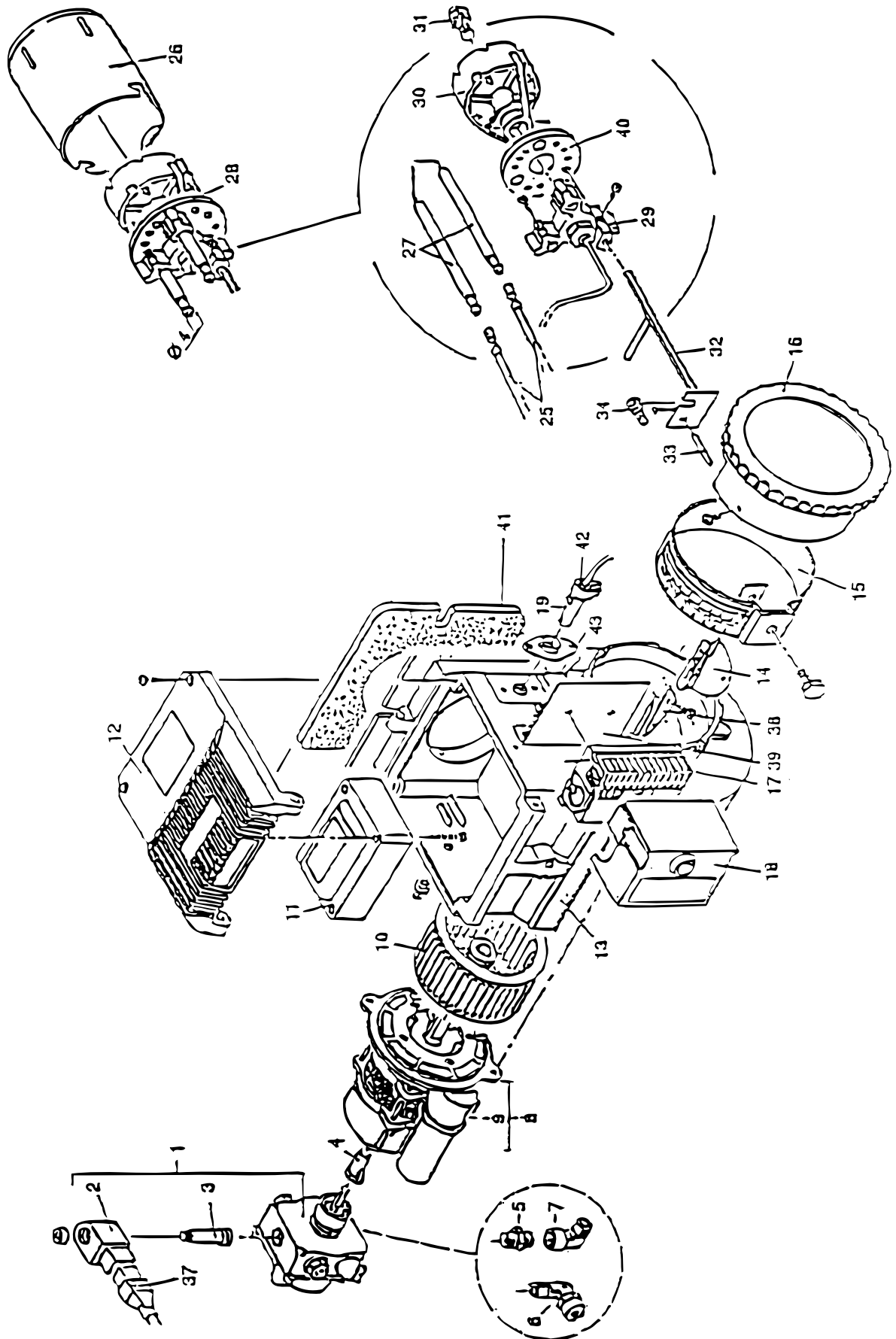
Pos.	Description	MASTER Code	
		MINOR 4	MINOR 8
1	DANFOSS PUMP	4031.197	4031.197
1.1	SUNTEC PUMP AS 47	4031.050	4031.050
2	DANFOSS SPOOL	4031.019	4031.019
2.1	SUNTEC SPOOL	4031.300	4031.300
3	DANFOSS VALVE	4031.195	4031.195
3.1	SUNTEC VALVE	4031.055	4031.055
4	COUPLING K1	4031.060	4031.060
4.1	SIMEL PL COUPLING	4031.003	4031.003
5	NIPPLE FE 1/4" M-M	4031.234	4031.234
6	CONNECTION 90 DGR 1/4" MX8	4031.223	4031.223
7	CONNECTION 90 DGR 1/4" M-F	4031.222	4031.222
8	MOTOR 100W	4031.233	4031.233
9	CAPACITOR 4 UF	4031.218	4031.218
10	FAN ( DIAM 124 X 60)	4031.209	4031.209
11	H.T. TRANSFORMER 8/20	4031.098	4031.098
12	ALLUMINIUM COVER	S/R	S/R
13	BURNER BODY	S/R	S/R
14	AIR DAMPER	4031.213	4031.213
15	MEATL AIR INLET	4031.232	4031.232
16	PLASTIC AIR INLET	S/R	S/R
17	BASE CONTR. BOX L&G	4031.010	4031.010
18	CONTROL BOX L&G	4031.005	4031.005
19	PHOTOCELL L&G	4031.090	4031.090
25	H.T. CABLE (DIAM 4MM)	4031.200	4031.200
26	BLAST TUBE	4031.216	4031.217
27	ELECTRODE	4031.208	4031.208
28	FIRING HEAD COMPLETE	4031.229	4031.231
29	NOZZLE HOLDER	4031.235	4031.236
30	DIFFUSER (DIAM 80MM)	4031.226	-
30.1	DIFFUSER (DIAM 74MM)	4031.227	-
31	NOZZLE	4031.032	-
31.1	NOZZLE	4031.034	-
32	ROD L.176	4031.239	-
32.1	ROD L. 192	4031.240	-
33	INDEX	S/R S/R	-
34	HEAD SETTING SCREW	4031.211	4031.211
37	CABLE WITH CONNECTOR	S/R	S/R
38	AIR FLAP	4031.214	4031.214
39	CONTROL BOX BASE	S/R	S/R
40	REAR DISC	4031.238	-
41	SEAL (170 X 145) DIAM 90MM	4031.199	4031.199
42	PHOTOCELL CLAMP	4031.009	4031.009
43	PHOTOCELL FLANGE	4031.008	4031.008
	BURNER BF 30, MINOR 4 COMPLETE	4031.210	-
	BURNER BF 60, MINOR 8 COMPLETE	4031.220	-

S/R = Parts Available by Special Request Only

# Spareparts VENTED HEATERS

BURNER BF 30 E - BF 60 E minor 4 and minor 8

ILLUSTRATED PARTS BREAKDOWN





# MASTER ACCESSOIRES



## Spareparts ACCESSORIES

Description	Appropriate	Code NR
<b>DIRECT FIRED HEATERS</b>		
PHOTOCELL TESTER (HA 1170)	MASTER OIL LP/LD TYPES	4106.058
PRESSURE GAUGE 0.6 A (HA 1180)	DIRECT OIL LP/LD TYPES	4109.427
PRESSURE GAUGE 16 A (M 4574)	DIRECT OIL HP/HD TYPES	4109.435
ROOM THERMOSTAT TH-2	ALL MODELS	4100.426
WHEEL KIT HEAVY DUTY (HA 1202)	MASTER B 35 & 70 TYPES	4103.925
WHEEL KIT LIGHT DUTY (HA 1206)	MASTER B 35 & 70 TYPES	4103.930
<b>INFRARED VAL-6 HEATERS</b>		
FUEL PREHEATER	ALL MODELS	4116.372
ROOM THERMOSTAT TH-3	ALL MODELS	4115.523
<b>ELECTRIC HEATERS</b>		
HOSE 160MM X 700 CM	MASTER BS10 E	4160.250
HOSE 203MM X 700 CM	MASTER BS15 E	4160.251
ROOM THERMOSTAT TH-2	TS 3A	4100.426
ROOM THERMOSTAT TH-5	MASTER BS10 & 15	4150.105
<b>GASHEATERS</b>		
GAS COUPLING KIT NETHERLANDS	ALL MODELS	4150.250
GAS COUPLING KIT EUROPE	ALL MODELS	4150.260
GASHOSE 1.5 MTR 1/4"	BLP 15 M	4150.889
GASHOSE 1.5MTR 3/8 "	ALL OTHER MODELS	4150.708
ROOM THERMOSTAT TH-5	AUTOMATIC & ELECTRONIC MODELS	4150.105

## Spareparts ACCESSORIES

Description	Appropriate	Code NR
<b>VENTED HEATERS</b>		
FUEL CAP WITH OIL & RETURN LINE (DRUM CONNECTION)	BV360-440-460-680 E	4031.135
FUEL TRANSPORT PUMP	ALL MODELS	4031.475
FLEX.REINF. FUEL LINE 4 MTR DIAM 8 MM	BV360-440-460-680 E	4031.460
HOSE 305MM X 760 CM	BV440-460-680 E	4031.406
HOSE 407MM X 760 CM	BV100-160-280 E	4031.402
HOSE 510MM X 760 CM	BV460 & 680 E	4031.403
HOSE 610MM X 760 CM	BV440 & 680 E	4031.407
HOSE 710MM X 760 CM	BV460 & 680 E	4031.411
HOSE BINDER	ALL MODELS	4031.408
OIL PREHEATER	BV100 -160-280 E	4031.120
OIL PREHEATER	BV360-440-460-680 E	4031.121
OUTLET 1-WAY 580MM	BV460 E	4013.228
OUTLET 2-WAY 450MM	BV440 E	4013.225
OUTLET 2-WAY 500MM	BV680 E	4013.237
OUTLET 4-WAY 300MM	BV440 E	4013.234
OUTLET 4-WAY 300MM	BV680 E	4013.239
ROOM THERMOSTAT TH-5	BV100-160-280 E	4150.105
ROOM THERMOSTAT TH-5A	BV360-440-460-680 E	4150.110
THERMOSTAT 0 - 150 DEGREE		4031.290
WHEEL KIT CASTOR	BV360-460-680 E	4031.409
WHEEL KIT + BURNER COVER	BV680 E	4031.410
WHEEL DIAM 340MM	BV440-460 E	4031.132
<b>DEHUMIDIFIERS</b>		
HYGROSTAT	ALL MODELS	4140.101

# PRICE LIST



## Spareparts PRICELIST

Code NR	Description		Final Customer price list '02-'03 Euro ex works	Code NR	Description	Final Customer price list '02-'03 Euro ex works
4013.225	OUTLET 2-WAY 450MM	BV440	405,95	4031.085	C93.2 FUSE 10A (6X30) BV280	1,95
4013.226	OUTLET 1-WAY 600 MM	BV440	91,89	4031.086	43 FEMALE PLUG 90 DEGREE 5-PIN	14,50
4013.227	OUTLET 4-WAY 300MM	BV460	186,50	4031.087	MALE-PLUG 4-PIN+1 CONNECTED (1-4)	11,30
4013.228	OUTLET 1-WAY 580 MM	BV460	144,50	4031.088	45 FEMALE PLUG 90 DEGREE 4-PIN	12,60
4013.234	OUTLET 4-WAY 300MM	BV440	199,95	4031.089	46 MALE PLUG 4-PIN	13,35
4013.238	OUTLET 2-WAY 500MM	BV680	153,83	4031.090	C96 PHOTOCELL BHO 61-LOA21	31,50
4013.238	OUTLET 1-WAY 680MM	BV680	153,83	4031.091	C105.1 ELECTRODE SEE 4031.095	5,49
4013.239	OUTLET 4-WAY 300MM	BV680	169,95	4031.094	FILTRO POMPA DANFOSS BFP 21R5 KIT	25,81
4031.001	24 FUEL TANK	BF30/60	369,35	4031.095	C105 ELECTRODE BV100/160/280	7,45
4031.002	29 RILSAN PIPE ROND 8	BF30/60	3,35	4031.096	C101 CONNECTION 1/8"M4	3,35
4031.003	04.1 SIMEL PL. COUPL.	BF30/60	3,40	4031.097	C15 H.T. CABLE BV100/280	9,25
4031.004	C.05 FUEL TANK	BV100/160	357,00	4031.098	11 H.T.TRANSF.8/20 440/BF30/60	67,15
4031.005	C94 CONTROL BOX LANDIS & GYR		128,45	4031.100	31 NOZZLE 2.50-60 BV440/460	15,70
4031.006	C.05 FUEL TANK	BV280	399,00	4031.101	40 FUSE 10 AMP (5X20)	1,00
4031.007	C42.1 AIR REGULATION FL.	BV280	14,15	4031.102	41 FUSE 6.3 AMP (5X20)	0,85
4031.008	C98 PHOTOCELL FLANGE BHO		1,85	4031.105	C58 OIL SUPPLY PIPE <1997	7,65
4031.009	C97 PHOTOCELL CLAMP BHO		1,85	4031.106	C58.1 OIL SUPPLY PIPE 1997>	8,50
4031.010	C95 BASE LANDIS & GYR		23,95	4031.110	C103 NUT FOR BICONE 4MM	1,00
4031.011	C86 FILTER SUPPORT	BV100/280	16,75	4031.111	BICONE 4 MM BF30/60/BV440	1,41
4031.012	C106 NOZZLE SUPPORT	BV100/280	18,00	4031.115	C102 BICONE 4MM BV100/160/280	1,50
4031.013	C.06 DRAIN PLUG	BV100/280	7,00	4031.116	NUT FOR BICONE BF30/60 BV440	0,82
4031.014	18.1 CONTROL BOX BRAHMA GF3		150,25	4031.117	ADAPTER 140/150 MM BV-HEATERS	18,65
4031.015	FILTER 44 MICRON		12,95	4031.118	18 PLATE	23,95
4031.016	17.1 CONTROL BOX BASE BRAHMA		12,75	4031.119	ELECTRICAL RESISTANCE FOR FILTER	26,00
4031.017	42.1 PHOTOCELL HOLDER BRAHMA		1,02	4031.120	FILTER WARMER FOR OIL ATT.3/8	224,95
4031.018	19.1 PHOTOCELL BRAHMA FC7		25,95	4031.121	OIL PRE-HEATER BV360/460/680	275,00
4031.019	C65 SPOOL SOLENOID DANFOSS		59,10	4031.122	BRACKET FOR OIL-PREHEATER	5,00
4031.020	C49.1 NOZZLE 0.65-80		15,70	4031.123	33 INDEX	5,22
4031.025	C49.2 NOZZLE 1.00-80		15,70	4031.124	PLASTIC SCREW CONTROL BOX	0,91
4031.030	C49.3 NOZZLE 1.50-80		15,70	4031.125	C72.2 MOTOR 750W BV280	383,00
4031.031	NOZZLE 2.00 80 DGR	B354	15,70	4031.130	C72 MOTOR 130W BV100	165,00
4031.032	31 NOZZLE 0.65-60	BF30	14,25	4031.131	C72.1 MOTOR 200W BV160	165,00
4031.034	31.1 NOZZLE 1.25-60	BF60	15,75	4031.132	14.1 WHEEL 800X34 BV440	43,63
4031.035	C13 TRANSFORMER H.T. 220V		83,35	4031.133	C02 WHEEL 200X20 BV100/160	11,85
4031.040	C33 RELAY 65.31 220V		28,35	4031.134	C02.1 WHEEL 250X25	16,35
4031.041	C33.1 RELAY 4031.040		29,22	4031.135	FUEL-CAP WITH OIL & RETURNLINE	147,93
4031.045	C39.1 COOL-OFF THERMOSTAT		13,40	4031.136	FITTING 3/8" x 1/4"	1,13
4031.046	C39 CAP THERMOSTAT		11,53	4031.137	C77 REAR INLET GRILL BV280	49,15
4031.047	C39 OVERHEAT THERMOSTAT		14,15	4031.138	C74 MOTOR FLANCE BV280	303,58
4031.050	C63 PUMP SUNTEC AS 47 REF.4031.197		153,00	4031.140	C11 FUEL PIPE 6 MM L=1MT	3,00
4031.051	C63.1 PUMP DANF.BFP11 INT.4031.197		142,26	4031.145	C08 TANK PLUG	3,00
4031.055	C64 VALVE SOLENOID SUNTEC AS47		54,90	4031.146	27 ADJUSTABLE AIR HEAD BF30	181,65
4031.060	C68.1 COUPLING K1		1,95	4031.147	27.1 ADJUSTABLE AIR HEAD BF60	181,65
4031.065	C68.2 COUPLING K2	BV280	2,15	4031.148	C09 PIPE CONN. 1/4" MX6	13,78
4031.066	C50 DIFFUSOR	BV100/160/280	24,75	4031.150	GASKET FOR FILTER CAP 70450	1,50
4031.070	OIL FILTER 3/8"		24,00	4031.152	C38 CHIMNEY<'97 BV100/160	36,70
4031.071	34 FILTER ASSY 1/4"		23,95	4031.154	30 FAN MOTOR COMPLETE BF30	676,00
4031.075	TOPGASKET FOR OIL FILTER		0,85	4031.155	C88 CONNECTION 90 DG 1/8" MX6	2,16
4031.080	C93.1 FUSE 6A (6X30) BV100/160		1,95	4031.156	30.1 FAN MOTOR COMPLETE BF60	998,32
4031.084	MALE PLUG 5-PIN SEE 4031.087		12,48	4031.157	13 AXLE BV440	39,75

## Spareparts PRICELIST

Code NR	Description	Final Customer price list '02-'03 Euro ex works	Code NR	Description	Final Customer price list '02-'03 Euro ex works
4031.160	C67 CONNECTOR BV100/160/280	2,45	4031.222	37 CONNECTION 1/4" MF BF30/60	3,85
4031.165	C73 CAPACITOR 5 UF	17,35	4031.223	23 CONNECTION 1/4"Mx8 BF30/60	3,05
4031.166	C73.1 CAPACITOR BV280	32,25	4031.224	18.1 COVER PIN BF30/60	12,75
4031.169	C19 PILOT LAMP BV100/160/280	2,63	4031.225	05 CONTROL KNOB BF30/60	4,45
4031.170	C20 SWITCH MAN-AUT (1-0-2)	3,75	4031.226	30 DIFFUSOR 80 ROND BF30	34,90
4031.175	C03 WHEEL-HOLDER 20 BV100/160	1,00	4031.227	30.1 DIFFUSOR 74 ROND BF60	25,00
4031.177	C03 WHEEL-HOLDER 25	1,20	4031.228	1 BITHERMOST./FAN LIM.4031.194	113,81
4031.178	RETAINING RING BV440	1,45	4031.229	28 FIRING HEAD BF30	136,15
4031.179	FILTER FOR OIL PRE-HEATER	25,40	4031.230	BURNER MINOR 12 SEE 4031.281	1.266,05
4031.180	36 FILTER HOUSING	7,20	4031.231	28.1 FIRING HEAD BF60	136,15
4031.181	SEAL FOR OIL PRE-HEATER	11,25	4031.232	15 METAL AIR INLET BF30/60	24,00
4031.182	02 ELASTIC PLATE M5 BV440	1,45	4031.233	08 MOTOR W100 BF30/60	225,50
4031.183	16 FRONT SUPPORT	29,65	4031.234	05 NIPPLE FE 1/4" M-M	3,40
4031.184	02 TOP BURNER COVER BV680	41,00	4031.235	29 NOZZLE HOLDER BF30	44,95
4031.185	20 BURNER COVER BV440	79,65	4031.236	29.1 NOZZLE HOLDER BF60	44,95
4031.187	01 BURNER HOUSING BV680	83,35	4031.237	30 DIFFUSOR 7 BV440	44,85
4031.188	FRAME BV440	41,00	4031.238	40 REAR DISC BF30/60	25,00
4031.189	01 REAR INLET GRILL BV440	48,95	4031.239	32 ROD L. 176 BF30	22,60
4031.190	21 TOP COVER BURNER BV440	34,45	4031.240	32.1 ROD L.192 BF60	22,60
4031.191	RUBBER BOTTOM GASKET FOR FILTER 70450	1,50	4031.241	18 SPRING BF30/60	0,50
4031.192	CAPACITOR BV440E SEE 4031.212	49,69	4031.242	20 SPRING PIN BF30/60	0,75
4031.193	FAN BV440E SEE 4031.263	99,11	4031.243	28 THERMOSTAT 0-40 GR. BF30/60	34,95
4031.194	35.1 FAN LIMIT CONTROL AUT.	128,25	4031.244	14 THERM. KNOB COMPL. BF30/60	3,85
4031.195	DANFOSS VALVE BFP 071N0050	82,20	4031.247	26 BLAST TUBE 102 BV440	87,35
4031.196	C42 AIR REGULATION FL. 100/160	14,15	4031.249	38 CONTROL KNOB SEE 4031.268	25,41
4031.197	C63.2 PUMP DANFOSS	146,50	4031.250	4.MOTOR+COUPLING = 4031.060	1,50
4031.198	48 ELECTRIC COMPONENT BOX 440	446,25	4031.251	28 FIRING HEAD BV440	132,00
4031.199	41 SEAL BV440	17,85	4031.252	15 METAL AIR INLET BV440	28,90
4031.200	25 H.T. CABLE BV440/BF30/60	9,25	4031.253	04 1.5 HP MOTOR BV440	498,00
4031.201	17 GASKET	9,25	4031.254	08 MOTOR W 130 BV440	259,00
4031.202	WHEEL-KIT BV 440 E 350 MM	170,17	4031.255	11 GASKET BF30	9,85
4031.203	23 THERMAL INSULATION BV440	11,25	4031.256	29 NOZZLE HOLDER BV440	44,85
4031.204	ELECTRODE RIGHT BV440	13,25	4031.257	06 PIPE FLEX L=400 MM	14,95
4031.205	ELECTRODE SEE 4031.338	20,01	4031.258	16 PLAS AIR INLET BV440	48,75
4031.206	39 FUSE HOLDER BV440	4,15	4031.259	32 ROD L.200 BV440	25,00
4031.207	35 FAN LIMIT CONTROL MAN BV440	128,25	4031.260	42 RED PILOT LAMP 10 BV440	5,00
4031.208	ELECTRODE LEFT	13,25	4031.261	36 EL. COMPONENTS BRACK. BV440	50,00
4031.209	10 FAN BV440/BF30/60	51,35	4031.262	21 PLATE SEE 4031.118	17,33
4031.210	BURNER MINOR 4 BF30	1.395,00	4031.263	06 FAN 550MM BV440	134,65
4031.211	34 HEAD SETTING SCREW	6,25	4031.264	RM THERMOSTAT LS/1 1994/1995	40,85
4031.212	05 CAPACITOR 45 UF BV440	60,25	4031.265	35.2 FAN LIMIT CONTROL ALRE	412,75
4031.213	14 AIR DAMPER BF30/60	13,40	4031.268	38 CONTROL KNOB 1-0-2	28,95
4031.214	38 AIR FLAP BF30/60	13,35	4031.270	C75 FAN 300MM 18ø BV100	44,90
4031.215	CLIP NUT M6 BV100/160/280	0,60	4031.271	C75 FAN 300MM 27ø BV160	44,90
4031.216	26 BLAST TUBE BF30	72,00	4031.272	C75 FAN 500MM 33ø BV280	128,25
4031.217	26.1 BLAST TUBE BF60	72,00	4031.273	C35 COMBUSTION CHAMBER BV100	535,00
4031.218	09 CAPACITOR UF4 BF30/60	13,40	4031.274	C35 COMBUSTION CHAMBER BV160	615,00
4031.219	06 CAPACITOR UF10 BF30	23,95	4031.275	75 FAN SUPPORT PANEL BV440	142,26
4031.220	BURNER MINOR 8 BF60	1.395,00	4031.276	C35 COMBUSTION CHAMBER BV280	1.010,00
4031.221	06.1 CAPACITOR UF20 BF60	34,85	4031.277	C38.1 CHIMNEY >'97 BV100/160/280	36,70

## Spareparts PRICELIST

Code NR	Description	Final Customer price list '02-'03 Euro ex works	Code NR	Description	Final Customer price list '02-'03 Euro ex works
4031.278	C37 OUTLET CONE BV100/160	76,95	4031.334	79 RELAY WIMEX BV680	56,50
4031.280	13 BURNER BODY BV440	250,55	4031.335	34 NOZZLE 3.50-60 BV680	15,70
4031.281	BURNER MINOR 12 EN BV440	1.195,00	4031.336	80 RELAY ISKRA BV680	79,60
4031.282	ANTI DISTURB FILTER BV440	16,85	4031.337	FAN D=560MM 26 BV460	171,94
4031.283	ANTI DISTURB HEATER BV440	13,25	4031.338	ELECTRODE SET (L+R) BV440/460	19,80
4031.284	OIL BURNER COMPLETE BV360	980,75	4031.339	FAN D=145x50MM BV460	36,10
4031.285	OILBURNER COMPLETE MINOR 20 SHORT HEAD	1.327,25	4031.340	14 GLASS BV460/680	3,85
4031.286	OILBURNER COMPLETE MINOR 20 LONG HEAD	1.327,25	4031.341	27 FIRING HEAD ADJ. BV460/680	24,95
4031.287	GAS BURNER COMPLETE BV360/460	2.266,15	4031.342	01.1 BURNER HOUSING BV460	74,35
4031.289	GAS BURNER COMPLETE BV680	3.578,45	4031.343	02.1 TOP BURNER COVER BV460	34,80
4031.290	THERMOSTAT 0/150 DEGREE	245,95	4031.344	17.1 AXLE BV460	39,75
4031.295	13 GASKET BF30/60	22,55	4031.345	62.1 MOTOR HP1.5 BV460	536,55
4031.296	99 CHIMNEY SEAL BV360	18,15	4031.346	63.1 CAPACITOR BV460	42,90
4031.297	CARTR. FILTER DANFOSS BFP20/21	24,40	4031.347	68.1 FAN BV460	194,65
4031.298	68 FAN BV360	163,36	4031.350	NOZZLE 2.00-60 BV360	14,27
4031.299	13 FAN SUPPORT PANEL BV360	158,82	4031.355	72 ELECTRIC COMP. BOX 460/680	72,35
4031.300	02 SPOOL SOLENOID SUNTEC	52,90	4031.356	80.1 RELAY ISKRA BV460	79,60
4031.301	03 OIL VALVE SEE 4031.055	51,62	4031.357	15 AIR INLET PANEL BV440	147,48
4031.302	05 NIPPLE BV680	3,97	4031.358	13 CHIMNEY FLANGE BV440	26,09
4031.303	08 MOTOR 200W BV460/680	284,50	4031.359	14 CHIMNEY PANEL BV440	43,11
4031.304	10 CAPACITOR 6.3 UFx200W	15,72	4031.360	25 VERTICAL ANGLE BV440	38,57
4031.305	11 FAN 180x40 BV460/680	60,89	4031.361	NIPPLE CONNECTION	19,95
4031.306	12 IGNITION TRANSFORMER SEE 4031.035	74,53	4031.362	SEAL FOR BURNER	7,50
4031.307	16 AIR DAMPER BV460/680	40,45	4031.363	PANEL LEFT	30,77
4031.308	17 AIR CONVEYER BV460/680	37,95	4031.364	PANEL RIGHT	30,77
4031.309	18 AIR DAMPER SCREW BV460/680	2,45	4031.365	91 THERMAL INSULATION BV 460 E	12,50
4031.310	19 COVER AIR INLET BV460/680	40,45	4031.366	91.1 THERMAL INSULATION BV680E	14,95
4031.311	23 ANTI DISTURB FILTER	37,75	4031.400	HOSE GREY 180 MM X 10 M	250,00
4031.312	24 PROTECTION BOX BV460/680	4,15	4031.402	HOSE 407MM X 750CM YELLOW	329,95
4031.313	25 GASKET BV460/680	24,45	4031.403	HOSE 510 MM X 750 CM YELLOW	515,00
4031.314	28 HT. CABLES BV460/680	13,55	4031.404	HOSE YEL 460 MM X 750 CM	495,53
4031.315	29 BLAST TUBE BV460/680	115,45	4031.406	HOSE 305MM X 760CM YELLOW	239,95
4031.316	30 ELECTRODE (2PIECES) BV680	26,50	4031.407	HOSE 610MM X 750CM YELLOW	408,00
4031.317	31 FIRING HEAD BV460/680	164,75	4031.408	HOSEBINDER 2.6 MTR	8,95
4031.318	32 NOZZLE HOLDER BV460/680	40,45	4031.409	WHEEL KIT BV360/460/680	139,95
4031.319	33 DIFFUSER BV460/680	37,75	4031.410	WHEEL KIT + BURNER COVER BV680	384,95
4031.320	17 AXLE BV680	39,75	4031.411	HOSE 710 MM X 760 CM YELLOW	515,00
4031.321	18 FRONT SUPPORT BV680	31,45	4031.420	HOSE VP-RED 356 MM 1000 CM	195,58
4031.322	53 GASKET BV680	8,15	4031.422	HOSE VP-GREY 406 MM X 10 MTR	223,26
4031.323	55 WHEEL HOLDER BV680	4,75	4031.423	HOSE VP-RED 510 MM X 10 MTR	274,99
4031.324	56 WHEEL 385MM BV680	45,45	4031.425	HOSE VP-RED 315 MM X 10 MTR	166,99
4031.325	57 WASHER BV460/680	0,55	4031.430	DIESELMATE TANK YELLOW 100L	487,81
4031.326	62 MOTOR HP3 BV680	756,22	4031.431	WATERMATE TANK BLEU 110L	487,81
4031.327	63 CAPACITOR BV680	89,75	4031.450	CLAMP 60-425 MM FOR HOSES	6,17
4031.328	68 FAN 630MM BV680	213,65	4031.455	QUICK-CLAMP 60 - 425 MM F HOSE	23,14
4031.329	04 COUPLING BV460/680	4,45	4031.460	FUEL LINE FLEXIBLE 4 MTR REINF	61,95
4031.330	15 BURNER BODY BV460/680	375,35	4031.475	FUEL TRANSPORT POMP	642,95
4031.331	19 ALUMINUM JOINT WITH NUT M10	23,95	4031.700	PUMP RV260	152,02
4031.332	SUSPENDING RING M10 BV680	4,85	4031.701	PUMP RV100/150	115,71
4031.333	13 COVER BV460/680	44,85	4031.702	CONTROL BOX RV100/150/260	152,02

## Spareparts PRICELIST

Code NR	Description	Final Customer price list '02-'03 Euro ex works	Code NR	Description	Final Customer price list '02-'03 Euro ex works
4031.705	RESISTANCE RV100/150/260	43,11	4100.642	098513-101 FUEL TANK B35CEH	107,10
4031.706	SATRONIC SUPPORT RV100/150/260	2,95	4100.643	108088-03 FUEL TANK B70CEH/CEL	111,65
4031.707	ELECTR.VALVE COIL 100/150/260	17,02	4100.644	099743-01 see 107961-01 - 4100.630	2,13
4031.708	SWITCH RV100/150/260	6,13	4100.645	100735-23 NOZZLE ASS. B100CEH/CEL	14,75
4031.711	RELAIS RV100/150/260	31,76	4100.646	100735-24 NOZZLE ASS. B150CEH/CEL	14,75
4031.716	FILTER RV100/150/260	26,09	4100.647	100735-25 NOZZLE ASS. B70CEH/CEL	14,75
4031.720	SAFETY THERMOST. RV100/150/260	11,12	4100.648	100735-26 NOZZLE ASS. B35CEH/CEL	14,75
4031.722	HOSE RV100/150/260	2,95	4100.649	101695-01 PLUG BUTTON B100/150	0,45
4031.735	FUSE 5X20 2,5A RV100	0,88	4100.650	100735-27 NOZZLE REM12	14,75
4031.736	FUSE 5X20 4A RV150	0,88	4100.651	102001-23 MOTOR B70CEH/CEL	118,15
4031.737	FUSE RV260	0,88	4100.652	102001-24 MOTOR 100/150 REPLACE 4110.080	145,20
4031.738	TRANSFORMER RV100/150/260	79,41	4100.653	102336-01 BRCKT NOZZLE ADP CEH/CEL	1,00
4031.739	OVERHEAT TERM. RV100/150/260	5,67	4100.654	102349-01 PC-BOARD SUPPORT	0,45
4031.740	ELECTRODES RV100/150/260	10,21	4100.655	102548-05 IGNITOR KIT HSI	54,95
4031.743	OIL NOZZLE 1,5 45° S D30F4928	15,88	4100.656	102861-01 LOCKNUT NYLON CEH	1,20
4031.744	FAN RV100/150	38,57	4100.657	103154-03 BRACK. PH.CELL 35/70	1,40
4031.745	FAN RV260	122,52	4100.658	103971-01 BRCKT PHOTOCELL B100	1,40
4031.746	CABLE RV100/150/260	6,81	4100.659	103154-05 BRCKT PHOTOCELL B150	1,40
4031.747	COUPLING K2 RV100-150	2,27	4100.660	103347-01 WASHER BELLEV. CEH	0,50
4031.748	COUPLING K1 REF.4031.060	2,27	4100.661	103676-01 ELBOW 90DGR NYLON	0,90
4031.749	COMBUSTION HEAD RV100	204,20	4100.662	103684-01 FAN	6,50
4031.750	COMBUSTION HEAD RV150	204,20	4100.663	104054-01 ADAPTER NOZZLE	5,30
4031.751	COMBUSTION HEAD RV260	204,20	4100.664	104056-01 ADAPTER NOZZLE	5,30
4031.752	THERMOSTAT PLUG RV MODELS	13,61	4100.665	104068-04 PC-BOARD ASSY (REPLACED BY 4100.676)	53,32
4031.800	NUT 3/8"X5 BRASS POS.C87	0,75	4100.666	105780-01 CAP PLASTIC B35/70	0,50
4031.802	DOUBLE SCREW POS.C85	4,00	4100.667	105793-01 ON/OFF SWITCH CEH/CEL	5,30
4031.803	ELBOW 90° 3/8 MX6 POS.C78	3,75	4100.668	FUSE 5X20	1,60
4031.804	STREIGHT FITTING 3/8 MX6 POS.C78	2,50	4100.669	M 10908-75 SCRW #6-32x7/8" CEH/CEL	0,50
4100.426	ROOM THERMOSTAT TH-2	69,00	4100.670	M51077-09AA COVER SIDE 100/150	6,15
4100.509	FILT. ELEM. SEE 4100.510	13,57	4100.671	M 51108-01 HEAT SHIELD B35/70	1,15
4100.510	FUEL FILTER SEE 4105.829	26,77	4100.672	M 51345-06 FUEL LINE B100/150	1,80
4100.525	M 10659-1 WASHER	0,50	4100.673	NPF-3B NUT #10-32 CEH REPLACE 4110.188	0,45
4100.526	103409-01 WAVE SPRING WASHER	0,55	4100.674	RF3-5B SCRW #10-32x5/8"	0,60
4100.527	WLE 3 LOCKWASHER CEH	0,45	4100.675	NL2870 TESTLAMP NEON	3,95
4100.533	M 10809-1 SPRING NZL SEAL	0,95	4100.676	104068-04 REV K PC-BOARD HSI	53,32
4100.541	M 10990-3 BUSHING	1,00	4100.764	PUMP WITHOUT FLENS HP MODELS	135,70
4100.566	098512-03 COMBUSTION CHAMBER	67,00	4100.765	FLENS FOR PUMP HP MODELS	25,15
4100.574	M 25061-2 RELAY B66	14,10	4100.806	M 18436 SPRING	4,20
4100.582	M 51336-02 FAN SWITCH	14,00	4101.077	M 8990 ELECTRODE RH	9,75
4100.630	107961-01 FUEL FILTER	3,75	4101.085	M 8989 ELECTRODE LH	9,75
4100.631	M 51107-01 FAN	8,96	4101.112	M 50104-03 BUSHING SHORT	0,50
4100.632	M 27417 PLUG DRAIN	1,35	4101.113	M 51369-01 POWER CORD	13,10
4100.633	NOZZLE ADAPTER	6,69	4101.114	097197-02 WHEEL SUPPORT	26,70
4100.635	COVER SIDE PC BOARD B35/70 PAINTED	6,00	4101.115	097198-02 HANDLE REAR	25,25
4100.636	098511-235 SHELL LOWER B35/70	49,45	4101.116	M 51015-04 AXLE PLATED	3,15
4100.637	098511-236 SHELL LOWER B100/15	53,10	4101.117	097475-01 WIRE HARNESS+CELL	11,75
4100.638	098512-63 COMB. CHAMBER B35CEH/CEL	55,40	4101.118	097475-02 WIRE HARNESS+CELL	12,35
4100.639	098512-64 COMB.CHAMBER B70CEH/CEL	55,40	4101.119	M 8434-3 TRANSFORMER B 300	167,00
4100.640	098512-65 COMB.CHAMBER B100CEH/CEL	82,45	4101.120	M 16841-58 WIRE ASSY	0,41
4100.641	098512-66 COMB.CHAMBER B150CEH/CEL	99,00	4101.127	099674-01 MOTOR B350	260,00

## Spareparts PRICELIST

Code NR	Description	Final Customer price list '02-'03 Euro ex works	Code NR	Description	Final Customer price list '02-'03 Euro ex works
4101.129	M 51049-03 WIRE HARNESS+CELL	17,50	4101.317	079975-02 (M 8645) PUMP BODY	28,55
4101.130	M 51039-01 FAN B150EGC D40-NOT AVAILABLE	20,25	4101.325	M 50545 END PUMP COVER	21,00
4101.131	FHPF3 2C SCREW	0,50	4101.333	M 11637 FILTER LINT	0,50
4101.132	M 11084-27 SCREW	0,50	4101.341	M 12244-1 FILTER OUTPUT	3,85
4101.133	M 11084-26 SCREW	0,50	4101.358	M 12179 FILTER INTAKE	1,30
4101.134	M 12749-2 SCREW	1,50	4101.499	M 12462-11 RELAY	13,40
4101.135	M 15823-39 SCREW	0,50	4101.507	M 12462-5 RELAY	13,60
4101.136	M 11084-37 SCREW	0,50	4101.515	M 12462-3 RELAY	13,40
4101.137	FUSE HOLDER ASSEMBLY	6,99	4101.532	079975-03 PUMP BODY	24,00
4101.138	100682-01 FUSE HOLDER ASSY	13,75	4101.598	IGPH 80 GR. NOZZLE B155	16,35
4101.139	100681-01 RING DRIP PROOF	8,55	4101.606	NOZZLE 2.25 GPH 90 GR.	12,70
4101.140	M 12650-13 CAPACITOR	24,00	4101.622	M 8882 SLEEVE	1,00
4101.141	100679-01 FASTENER	1,40	4101.623	M 50299 SLEEVE	0,45
4101.143	098513-05 FUEL TANK B 350	400,00	4101.666	M 8643-2 BLADE	2,25
4101.150	098512-27 COMB. CHAMB. B70EGC	60,00	4101.747	M 5976 CONNECTOR MALE	4,00
4101.151	M 30865-02 BUSHING OPEN	0,50	4101.846	104184-01 (M10962-2)SPARK PLUG	15,35
4101.152	M 50104-02 BUSHING SHORT	1,75	4101.851	104007-01 CAPACITOR B70 CEB	12,00
4101.154	097514-01 FUEL LINE TUBE	6,10	4101.854	HA 3006 NOZZLE B35 CEA/CEB/CEH/CEL	15,85
4101.155	079685-01 CONNECTOR MALE	2,45	4101.879	M 14293 NOZZLE	15,10
4101.156	M 50016 ELBOW 90 GR	2,50	4101.887	M 8643-3 BLADE	2,65
4101.157	098512-21 COMB. CHAM. B100EGC	78,35	4101.891	079965-01 PUMP BODY FINISHED	18,00
4101.158	M 16790-8 FUEL LINE TUBE	6,05	4101.895	079975-04 PUMP BODY	27,00
4101.159	098512-25 COMB. CHAM. B150EGC	164,00	4101.911	M 22456-3 ROTOR	19,50
4101.160	M 27324-3AA BOX M. B 150 EGC	26,85	4101.929	M 12650-3 CAPACITOR START	11,60
4101.176	FILTER ALL LP TYPES	6,00	4101.937	103229-01 CAPACITOR	18,00
4101.180	098512-31 COMB.CHAMB. B100CEA	71,75	4101.978	M 12951 ELECTRODE LH	9,75
4101.182	098512-12 COMB.CHAMBER-NOT AVAILABLE	70,34	4101.986	M 12952 ELECTRODE RH	9,75
4101.184	M 11054-1 NOZZLE SIPHON	18,55	4102.125	M 22997 PLUG	1,00
4101.192	M 29681 NOZZLE SIPHON B30	16,75	4102.133	M 27694 SCREW PRESSURE	0,60
4101.200	M 8643 BLADE	2,25	4102.141	M 10993-1 SPRING	0,50
4101.202	098083-01 IGNITOR DECAL	0,59	4102.166	M 10816-20 ELECTRODE	5,20
4101.208	097061-01 RELAY SOLENOID	10,73	4102.257	STOPCONTACT-THERMOSTAT TH-1	61,71
4101.214	099229-01 BR.PH.CELL	1,47	4102.258	THERMOSTAT TH-1 (FR.BEL.)	63,08
4101.218	M 12650-1 CAPACITOR	14,97	4102.307	099895-01 THERMOSTAT	79,30
4101.222	102482-01 IGNITION DEVICE KIT	85,31	4102.398	M 51170-01 PLUG BODYBURN. B350	2,45
4101.224	097308-03 MOTOR	122,52	4102.455	M 12303 THERMAL LIM	21,19
4101.232	M 50104-01 BUSHING SHORT	0,50	4102.521	M31372 VALVESOLEN.SEE 4102.522	49,25
4101.234	M 13942-5 WIRE CONNE	0,54	4102.522	VALVE SOLENOID	38,55
4101.238	M 12462-17 RELAY	11,75	4102.535	M 50077-02 VALVE SOLENOID	42,00
4101.240	101206-01 BRACKET MOTOR REPLACE 4110.186	2,45	4102.648	M 17058 FAN	16,15
4101.242	M 12650-12 CAPACITOR	18,25	4102.658	M 28340 BUSHING SPLIT-NOT AVAILABLE	0,90
4101.243	M 51226-01 CAPACITOR CAP	8,15	4102.683	M 31301 FAN SWITCH KIT	26,00
4101.246	M 51160-01 SWITCH COVER	1,36	4102.737	M 16661-1 CLAMP MOTOR	0,90
4101.248	M 50899-03AB SIDE COVER	6,24	4102.802	M 51028-04 SWITCH TH. LIMIT	51,05
4101.250	097661-02AB SIDE COVER PAINTED	6,69	4102.828	M 17316 END PLATE	40,39
4101.252	M 50899-03AA SIDE COVER BLACK	6,58	4102.851	098511-39 SHELL UPPER	63,50
4101.254	M 11143-1 STR REL BUSHING	0,45	4103.222	M 51015-01 AXLE	4,50
4101.256	M 25061-5 RELAY	14,29	4103.224	1000576 GROMMET	0,55
4101.260	102001-06 MOTOR KIT	116,17	4103.271	M 50389 WHEEL	58,54
4101.262	M 51151-02 FUELLINE TUBE	2,09	4103.289	107426 01 KIT WHEEL	8,85

## Spareparts PRICELIST

Code NR	Description	Final Customer price list '02-'03 Euro ex works	Code NR	Description	Final Customer price list '02-'03 Euro ex works
4103.370	M 5788 SLEEVE	0,85	4103.905	098918-04 MOTOR	129,33
4103.441	M 22456-2 ROTOR	20,75	4103.919	098136-05 RELAY	11,75
4103.448	M 16656-18 PHOTOCELL B350	11,10	4103.925	HA 1202 WHEEL KIT HD B35/70	55,60
4103.462	M 50121-02 FAN	48,10	4103.930	HA 1206 WHEEL KIT LD B35/70	32,55
4103.486	100735-14 NOZZLE	17,70	4103.995	098918-06 MOTOR-NOT AVAILABLE	154,30
4103.511	M 10908-1 SCREW	0,50	4104.006	098511-138 (098511-61 OR 66) SHELL	52,20
4103.529	M 10908-2 SCREW	0,50	4104.022	098512-07 COMBUSTION CHAMBER	75,50
4103.537	M 16660 BRACKET PHOTO CELL	1,40	4104.040	M 50542-01 COMBUSTION CHAMBER	316,75
4103.552	HA 3019 PHOTOCELL	15,00	4104.055	097293-01 FAN	12,00
4103.553	HA 3005 ROTOR KIT	20,75	4104.060	098512-43 COMB. CHAMBER	55,35
4103.554	HA 3004 ROTOR KIT	19,75	4104.071	098918-05 MOTOR	143,40
4103.556	HA 3017 FILTER KIT	9,60	4104.088	098512-36 COMB CHAMBER	94,00
4103.557	HA 3018 FILTER KIT	8,35	4104.090	098512-44 COMB. CHAMB.	61,00
4103.558	HA 3009 NOZZLE KIT	21,30	4104.091	098512-55 COMB. CHAMBER	60,81
4103.559	100735-15 NOZZLE ASSY B100CEA/CEB/CED	17,30	4104.097	M 51345-01 FUEL LINE TUBE	1,75
4103.561	HA 3014 FILTER KIT	5,00	4104.099	M 16790-12 FUEL LINE TUBE	7,15
4103.578	M 25296-1 BRACKET RELAY NEW	5,00	4104.113	M 51150-01=4100.630 =107961-01	3,75
4103.584	HA 3007 (M50597) NOZZLE	18,85	4104.118	M 50820-02 FITTING BARB	1,68
4103.586	M 51102-01 FILTER ELEMENT	10,00	4104.121	M 51151-01 FUEL LINE	1,65
4103.590	M 16656-24(23) PHOTOCELL CEH/CEL	11,84	4104.144	099646-01 COVER SPARK PLUG	7,50
4103.594	FK-2M FLAME CONTROL	204,20	4104.147	M 50814-06 AIRLINE TUBE	3,30
4103.610	M 50065-02 PUMP B350	157,00	4104.151	100311-01 FUEL TUBE BLP300	7,25
4103.611	M 50140 FAN GUARD B 150	5,25	4104.154	098511-02 SHELL LOWER	54,00
4103.648	097213-01 ADAPTER NOZZLE KIT	6,30	4104.156	M 50814-03 AIRLINE TUBE	4,00
4103.651	M 30884 FAN	8,55	4104.162	M 51070-02 NOZZLE B 350	10,45
4103.685	M 51105-01 FAN GUARD	8,10	4104.170	M 11271-8 CLIP NUT	0,45
4103.695	M 51114-01 FAN GUARD	8,15	4104.175	097461-01AA COVER SIDE	6,00
4103.719	098512-20 COMBUSTION CHAMBER	63,00	4104.183	M 51077-01AA COVER SIDE	6,00
4103.727	098512-23 COMBUSTION CHAMBER	59,00	4104.189	098513-34 FUEL TANK B 70 EGC	107,00
4103.743	M 51027-06 CAP BLACK B30-70EA	2,15	4104.190	098513-33 FUEL TANK B 100 EGC	115,00
4103.750	098513-23 (01) FUEL TANK SEE 4105.294	80,86	4104.191	098513-11 FUEL TANK B 150 EGC	109,00
4103.776	098513-24 (02) FUEL TANK SEE 4100.643	80,86	4104.192	098513-97 FUEL TANK D30/EHGB100	108,00
4103.784	M 51104-01 HANDLE 35-70CEH	2,60	4104.196	097630-02 FLAME CONTROL	51,30
4103.800	098918-02 (078894-04) MOTOR	133,90	4104.197	M 50660-05 NUT FLARED	2,45
4103.818	098918-01 MOTOR B 30	89,85	4104.336	079919-01 COVER SWITCH	1,50
4103.834	HA 3008 = M 50880-01 NOZZLE	17,63	4104.567	098894-01 RELAY POWER-NOT AVAILABLE	44,60
4103.839	M 12462-13 RELAY	13,40	4104.678	M 50064-07 MOTOR B 350	284,10
4103.842	098511-54 SHELL UPPER	37,10	4105.004	TRANSFORMER LD/LP	90,00
4103.850	097468-01 EDGE LINER	2,25	4105.037	098512-10 (15) COMB. CHAMBER	65,00
4103.852	100735-16 NOZZLE R15E	17,70	4105.045	098512-18 (02) COMB. CHAMBER	86,45
4103.875	M 50876-05 FUEL FILTER	7,75	4105.052	M 17920 FAN	19,00
4103.878	M 19630 FUEL FILTER	2,95	4105.060	098511-26 SHELL LOWER	58,08
4103.880	102243 01AA FAN GUARD B350CEA	126,70	4105.062	102042-01 FAN	10,25
4103.881	098872 03 POWER CORD	20,42	4105.078	098511-101 SHELL LOWER	63,75
4103.882	099566-03 THERMOSTAT B350	69,60	4105.086	079725-03 FUEL FILTER	10,50
4103.884	099125-02 BOARD TERMINAL	2,45	4105.088	098103-01 FILTER ELEMENT	28,85
4103.891	097702-01 CAP FUEL	1,60	4105.094	079725-04 FUEL FILTER	11,30
4103.894	M 50876-01 FILTER BUSHING	7,95	4105.102	098511-58 SHELL UPPER	74,75
4103.896	M 51357-02 CAPACITOR RUN	29,35	4105.115	097545-01 POWER CORD	17,25
4103.898	100735-11 NOZZLE B150 SPARK PLUG TYPES	10,40	4105.136	M 50387-01 AIRLINE B 100 ES	20,45

## Spareparts PRICELIST

Code NR	Description	Final Customer price list '02-'03 Euro ex works	Code NR	Description	Final Customer price list '02-'03 Euro ex works
4105.144	M 50387-02 AIRLINE B 150 ES	16,15	4106.116	102001-17 (098783-02) MOTOR	141,60
4105.151	M 18048 NOZZLE	19,10	4106.118	102001-11 (097464-02) MOTOR-INACTIVE	141,60
4105.169	HA 3011 = M 18022 NOZZLE	21,10	4106.120	097467-01 PLUG BUTTON	0,45
4105.177	M 16741-18 RING RETAINING	1,37	4106.121	097467-02 PLUG BUTTON	0,45
4105.185	M 50924-01 BODY BURNER HEAD	22,25	4106.122	099213-01 PLUG BUTTON	0,45
4105.187	M 50924-08 BODY BURNER	22,00	4106.123	097746-01 FUSE	2,15
4105.193	M 16535 ADAPTER NOZZLE	8,00	4106.134	097744-01 FUSE HOLDER	8,00
4105.195	098511-12 SHELL LOWER B35/70	57,20	4106.143	098165-02 (098136-02) RELAY	20,00
4105.219	079721-01 NUT FLARED	5,95	4106.152	098165-04 (098136-04)RELAY	20,85
4105.227	M 51159-05 MOTOR B 150 ES NOT AVAILABLE	171,50	4106.161	M 50420-06 RELAY	14,30
4105.229	102762-03 (M 51359-02) MOTOR - INACTIVE	148,85	4106.170	097748-02 (01) SAFETY CONTROL	81,70
4105.235	FHPF3 4C SCREW	0,50	4106.179	097462-01 SWITCH	4,50
4105.238	M 50295 FUEL LINE	7,49	4106.181	M 50115-01 FUEL LINE B 350	22,25
4105.239	M 50114-02 MALE ELBOW	4,22	4106.188	079883-01 SWITCH	6,25
4105.240	M 50296 WHEEL SPACER	2,85	4106.197	M 51028-03 THERMAL SWITCH	47,15
4105.250	098513-04 (03) FUEL TANK	107,00	4106.198	079722-01 SEE 4109.849	96,22
4105.268	M 23284 CAP FUEL N/A	6,06	4106.333	M 50297 ELBOW B 350	9,25
4105.276	098513-08 (09) FUEL TANK	119,00	4106.334	69246 NIPPLE B350EAI	1,50
4105.284	M 16801-2 AXLE B 150	5,45	4106.335	57413 ELBOW STREET B350	3,25
4105.285	098513-36 FUEL TANK	107,09	4106.584	099509-03 WIRE HARNESS	10,37
4105.287	102801-01 POWER LINE RFI FILT.	33,27	4108.126	098511-191 SHELL LOW. B100/150	53,10
4105.288	103259-01 RFI FILTER B350CEA	39,80	4108.350	M 8941 SPRING	0,50
4105.290	098513-76 FUEL TANK B150 CEA	120,70	4108.361	M 11952 BRACKET RELAY OLD	0,85
4105.292	M 18053 = HA2210 SCREEN	8,60	4108.379	M 8940 BALL 1/4" CHROME STEEL AISI52100	0,50
4105.293	098513-73 FUEL TANK B35 CEA SEE 4105.294	96,20	4108.429	M 28526 NUT CAP	0,70
4105.294	108088-01 FUEL TANK B 35	104,50	4108.486	NTC 4C NUT	0,45
4105.295	098513-74 FUEL TANK B70 CEA	102,50	4108.488	M 50298 NUT	0,79
4105.296	098513-90 FUEL TANK SEE 4100.643	102,55	4108.494	NTC 3C NUT REPLACE 4110.189	0,45
4105.298	108088-04 FUEL TANK B100	120,70	4108.502	100647-01 M 15823-27(26) SCREW	0,50
4105.299	108088-05 FUEL TANK B150	120,70	4108.510	M 11084-29 SCREW	0,50
4105.300	M 12461-34 SCREW	0,60	4108.528	M 12461-31 SCREW	0,50
4105.508	079973-01 FUEL LINE	1,15	4108.530	M 12461-13 SCREW	0,50
4105.829	098102-01 FUEL FILTER HP-MOD.	28,20	4108.536	M 12461-32 SCREW	0,50
4105.840	M 17499-2 PIPE NIPPLE	3,35	4108.540	M 12461-14 SCREW	0,65
4105.841	M 50429 GASKET SPARKPLUG	0,50	4108.544	M 12345-34 SCREW SEE 4108.619	0,50
4105.842	M 50113-02 STRAIGHT FITTING	3,10	4108.547	078918-01 TAB CAP	0,86
4106.035	M 18775 BRACKET NOZZLE	39,00	4108.550	102001-03 (102040-01) MOTOR	141,60
4106.044	097741-01 BLOCK TERMINAL	33,65	4108.555	097308-04 MOTOR KIT NOT AVAILABLE	98,92
4106.053	097742-02 (01) CONTROL BOX	76,25	4108.569	M 51043-01 SCREW	0,45
4106.058	HA 1170 TESTER SAFETY CONTROL	135,20	4108.574	M 50050 IGNITION BOOT	0,86
4106.071	M 50820-01 FITTING BARB	1,68	4108.577	FHPF3 7C SCREW	0,50
4106.080	M 27669-01 FUEL FILTER	11,75	4108.585	M 23148 FAN B 100 E	21,42
4106.089	098557-07 (05) SEE 4106.095	85,31	4108.588	FHPF3 5C SCREW	0,50
4106.090	102482-03 (098641-07) IGNITOR	76,70	4108.590	FHPF3 6C SCREW	0,45
4106.092	101901-08 IGNITOR See 4106.095	85,31	4108.593	100735-05 = M 23103 NOZZLE	19,10
4106.095	102482-02 IGNITOR	76,60	4108.619	M 12345-33 SCREW	0,50
4106.098	102001-15 (098642-01) MOTOR SEE 4110.042	98,90	4108.627	M 22456-1 ROTOR	14,93
4106.107	102001-16 (098782-02) MOTOR	118,90	4108.635	M 22009 INSERT	0,50
4106.109	102001-10 097464-01 MOT.70EGC	138,90	4108.643	M 16545 END COVER	6,26
4106.110	099125-13 BOARD TERMINAL	2,65	4108.650	M 23367 FAN B300 N/A	60,80

## Spareparts PRICELIST

Code NR	Description	Final Customer price list '02-'03 Euro ex works	Code NR	Description	Final Customer price list '02-'03 Euro ex works
4108.668	M 22626 NOZZLE	15,65	4109.855	M 12577 GASKET	1,40
4108.718	M 22873 COUPLING	8,30	4109.864	HA 2203 HANDLE B100	19,10
4108.734	FLAME CONTROL DANFOSS	115,71	4109.872	HA 2204 HANDLE STRAIGHT SH.	20,40
4108.742	102001-09 (M 23107-6) MOTOR	145,20	4109.875	HA 2205 HANDLE ROUND SH.NOT AVAILABLE	14,50
4108.759	M 18774 AXLE	26,50	4109.880	M 26204-3 HANDLE RR	18,61
4108.783	M 12461-25 SCREW	0,50	4109.884	098068-01 HEAT SHIELD	17,80
4108.924	M 51098-01 BODY BURNER HEAD	24,15	4109.885	M 50062 HANDLE REAR B350	24,10
4108.932	098512-01 COMBUSTION CHAMBER	568,30	4109.906	M 12342-3 WHEEL SUPPORT FRAME	25,36
4108.940	098511-77 SHELL UPPER	70,80	4109.914	M 12831-3 WHEEL SUPPORT FRAME	21,70
4108.956	M 50062-03 HANDLE FRONT B350	34,70	4110.028	M 11084 2 SCREW REPLACE 4110.192	0,50
4108.957	M 23753 AIRLINE BV 125	18,50	4110.029	M 12461 51 SCREW HX SLT WSR 10-24X1/2	0,50
4108.972	099617-01 FILTER EMC	48,95	4110.032	M 51345 04 TUBING RUBBER	2,50
4108.973	M 50314-01 INTERRUPTER BV125	62,75	4110.033	M 6777 TIE PLASTIC	0,50
4109.062	M 18303 NOZZLE	12,71	4110.034	RF3 4B SCREW 10-32 REPLACE 4110.188	0,50
4109.122	M 16841-57 WIRE ASSEMBLY	0,68	4110.036	079010-39 WIRE ASSYMBLY BROWN	4,50
4109.161	M 26317 FAN	14,75	4110.037	079010-40 WIRE ASSYMBLY WHITE	4,50
4109.179	M 50387-04 AIRLINE B 66 N.A.	16,75	4110.038	079673 07 CORD POWER	13,10
4109.278	M 25291 WHEEL B 66	7,26	4110.062	COVER PAINTED SIDE MOD 100/150	6,00
4109.294	M 27585-1 INTERRUPTER BV 60	20,42	4110.070	PLUG BUTTON 099213 01	0,50
4109.328	098512-19 COMBUSTION CHAMBER	67,00	4110.075	097785 01 GASKET VINYL FOAM	2,00
4109.344	M 26316 NOZZLE B66	17,70	4110.077	HANDLE B100-150 CEL-CED M51334-04	19,50
4109.350	M 50924-02 BODY BURNER HD B350	22,25	4110.078	FRAME SUPPORT B100-150 CEL-CED M12831-04	24,45
4109.351	M 51098-02 BODY BURNER HEAD	24,50	4110.089	108436-02(M50060-02AB)SHELL B350 UPPER	179,95
4109.352	M 50924-03 BODY BURNER	22,25	4110.092	BRACKET,NOZZLE ADAPTER 35 CEB ZINC	1,00
4109.377	M 23090 BODY BURNER HEAD	22,01	4110.109	AXLE ZINC. OIL HEATER 100/150	5,00
4109.427	HA 1180 PRESSURE GAGE LD	37,60	4110.123	CORD POWER EUROPEAN UK	17,25
4109.435	M 4574 Alt PRESSURE GAGE HD	37,60	4110.124	102431-01 HEX HD SCREW REPLACE 4110.163	0,50
4109.476	FOTOCEL FOTO1001/1002	30,86	4110.130	KIT, HANDLE 35/70 CEL	3,10
4109.518	M 29824 NUT SPECIAL	2,10	4110.132	KIT, IGNITER 230 VOLT	40,00
4109.526	104183-01 (M 29835) SPARK PLUG	9,00	4110.133	SCREW M5X16 BRASS	0,50
4109.542	079980-01 ADAPTER NOZZLE	6,45	4110.134	NUT HEXAGONAL M5 BRASS	0,50
4109.560	101205-02 BRACKET MOTOR	2,00	4110.135	ASSEMBLY, FUEL FILTER 35 CEL	6,50
4109.567	M 29652-05 FUEL LINE TUBE	1,45	4110.136	KIT, TANK 35 CEL	107,10
4109.570	M 16790-18 FUEL TUBE	4,12	4110.137	FUSE IGNITION CONTROL CEL	2,50
4109.575	M 50876-04 FUEL FILTER B 30	6,50	4110.138	KIT, TRADENAME DECAL MASTER(2)	8,00
4109.580	RF3 6B ROUND HD SCREW	0,50	4110.139	KIT, DECAL B35 CEL	5,00
4109.590	102432-01 HEX SCREW INT4110.190+4160.613	0,50	4110.140	KIT, TANK 70 CEL	111,65
4109.591	ST2 2AC SCREW	0,45	4110.141	KIT, DECAL B70 CEL	8,00
4109.592	099177-01 NUT HEX	0,60	4110.142	KIT, IGNITION CONTROL ASSEMBLY CEL	40,00
4109.633	M 29652-04 AIRLINE TUBE	2,30	4110.143	NUT HEX M5 LOCKING NORMAL	0,50
4109.658	M 51027-01 CAP B30 E	3,75	4110.144	SCREW M5 X 40	0,50
4109.674	M 29609 END COVER	3,65	4110.145	KIT, DECAL B150 CEL	8,00
4109.690	M 29633 FILTER INTAKE	1,00	4110.146	KIT, DECAL B100 CEL	8,00
4109.708	M 29612-01 FILTER OUTPUT	2,30	4110.147	FUEL LINE TUBE PICK UP 100/150 CEL	1,65
4109.716	M 29632 FILTER LINT	0,50	4110.148	AIR LINE TUBE 100/150 CEL	4,00
4109.724	M 29608 END PUMP COVER	13,50	4110.149	KIT, TANK 100/150 CEL	120,70
4109.780	102001-19 (102803-01) MOTOR	126,15	4110.150	KIT, DECAL B35 CED	8,00
4109.799	M 30900-01 MOTOR B 30 ES	89,85	4110.163	SCREW, 4.8 X 13 SELF TAPPING	0,50
4109.807	079725-02 FUEL FILTER	14,60	4110.164	079010-34 WIRE ASSEMBLY BLACK	4,50
4109.849	079724-04 FUEL FILTER BV125E	37,40	4110.165	079010-33 WIRE ASSEMBLY BLACK	4,50

## Spareparts PRICELIST

Code NR	Description	Final Customer price list '02-'03 Euro ex works	Code NR	Description	Final Customer price list '02-'03 Euro ex works
4110.170	NUT CAP, AXLE CEL - CED	0,50	4113.066	078827 OIL INLET TUBE EL 6	1,23
4110.184	TUBING RUBBER FUEL LINE 100/150 CEL	1,80	4113.068	078828 OIL OUTLET TUBE EL 6	1,23
4110.186	101206-01 BRACKET MOTOR 100/150 CEL/CED	2,45	4113.070	078830 HEX FLANGE LOCKNUT EL 6	0,39
4110.187	101205-02 BRACKET MOTOR 35/70 CEL/CED	2,00	4113.072	078831 SCREW PLASTITE	0,18
4110.188	KIT GROUND SCREW W/NUT	0,50	4113.074	078832 SCREW PLASTITE EL 6	0,14
4110.189	KIT HANDLE SCREW W/NUT	0,50	4113.076	078833 SCREW PLASTITE EL 6	0,14
4110.190	SCREW, 4.8 X 13 SELF TAPPING	0,50	4113.078	078834 ADJUSTING SCREW EL 6	0,14
4110.191	SCREW, M3 X 10 ZINC COAT	0,50	4113.080	078835 TRUSS HD SHOULDER SCREW	1,25
4110.192	SCREW, SELF TAPPING 5.5 X 9.5	0,50	4113.082	078836 MOTOR MOUNT. SCREW EL 6	0,18
4110.194	HIGH TENSION CABLE CED	9,25	4113.084	078838 SET 2 MOTOR BRUSHES EL6	7,87
4110.513	SCREW M5 X 10	0,50	4113.086	078850 SCREW PLASTITE EL 6	0,18
4110.516	KIT, IGNITION SYSTEM REPLACEMENT CEH	65,00	4113.088	078851 SCREW TAPTITE EL 6	0,18
4110.517	SCREW, 5.5 X 13 SELF TAPPING	0,50	4113.090	078955 LOCKOUT TRIGGER SWITCH	8,05
4110.518	SCREW, M 5 X 50	0,50	4113.092	078971 OIL TANK SEE 4113.064	2,18
4110.521	WASHER DIAMETER 10	0,50	4113.096	079029 POWER SUPPLY CORD EL 6	7,10
4110.522	TRANSFORMER CED	54,50	4113.098	079074 GUIDE BAR BOLT EL 6	0,73
4110.523	SCREW, M3 X 12	0,50	4113.100	079088 BAR COVER (SCABBARD)EL6	4,02
4110.524	SCREW, M5 X 12 SELF TAPPING	0,50	4113.102	079127 FAST SHARP ASS. EL 6	24,80
4110.533	KIT, IGNITER 240 VOLT UK	40,00	4113.104	079188 BRUSH HOL&BEAR ASS EL 6	20,33
4110.609	KIT, IGNITION TRANSFORMER CED	67,00	4113.108	079441 SCREW PLASTITE EL 6	0,14
4113.007	076906 SCREW, TAP FLAT HD PR25	0,45	4113.110	079576 MOTOR ARMATURE 220V EL6	45,15
4113.008	078787 BALL BEARING 7 MM EL 6	6,38	4113.112	079577 BOWED RETAININGRING EL6	0,18
4113.010	078788 BALL BEARING 9 MM EL 6	6,38	4113.116	079647-01 BUSHING EL 6	0,50
4113.012	078789 BRAKE BAND EL 6	10,91	4113.118	079647 BRAKE ROLL PIN EL 6	0,14
4113.014	078790 ADJUSTING BLOCK EL6 N/A	0,66	4113.120	079648 TORSION SPRING EL 6	0,86
4113.016	078792 END CAP (STUB) EL 6	3,72	4113.124	090549 GUIDE BAR 300 MM H/N	18,33
4113.018	078794 OIL TANK CAP EL 6	1,16	4113.126	091367S CHAIN 350 MM F/S EL 6	44,67
4113.020	078795 SIDE COVER EL 6	11,28	4113.128	091373S CHAIN 300 MM EL 6	22,42
4113.022	078796 SPROCKET COVER STD/C/B	4,27	4113.132	091376 CHAIN 400 MM STD EL 6	20,65
4113.024	078797 SPROCKET COVER F/S EL 6	11,80	4113.134	091377S CHAIN 400 MM F/S EL 6	46,17
4113.026	078798 BRAKE DRUM EL 6	3,06	4113.136	091388 CHAIN 300 MM F/S	52,64
4113.028	078799 MOTOR FIELD AS. STD EL6	60,24	4113.138	097569-01 GUIDE BAR 300 MM S/N	15,91
4113.030	078800 MOTOR FIELD ASS C/B EL6	60,63	4113.140	097571 GUIDE BAR 350 MM S/N	17,20
4113.032	078801 INTERNAL GEAR EL 6	10,66	4113.142	097573-02 GUIDE BAR 400 MM S/N	41,84
4113.034	078802 FRONT GUARD (STUB) EL 6	14,14	4113.144	099118-01 RETAINING RING EL 6	0,82
4113.036	078805 MOTOR HOUSING STD EL 6	12,32	4113.146	099119-01 LOCKNUT EL 6	0,36
4113.038	078806 MOTOR HOUSING (C/B) EL6	12,32	4113.152	079251 AIR BAFFLE EL 6	1,77
4113.040	078807 FRONT HANDLE (STUB) EL6	5,31	4113.154	078803-2 + 079647 FR. GRD. EL6	15,70
4113.042	078808 FRONT HANDLE (WRAP) EL6	13,23	4113.156	079684 END CAP (WRAP) EL 6	3,72
4113.044	078810 BRAKE LATCH EL 6	2,38	4113.158	091374S CHAIN 350 MM EL 3	11,09
4113.046	078811 GUIDE BAR MOUNT EL 6	15,20	4113.201	077398-02 COVER SPROCKET EL 3	1,75
4113.048	078812 DRIVE PINION EL 6	1,95	4113.203	077399-02 COVER SIDE BLACK EL3	3,13
4113.050	078813 BEARING PLATE EL 6	13,11	4113.205	079648-01 SPRING	0,77
4113.052	078814 PIVOT PLATE EL 6	1,34	4113.207	SEE 4113.096	8,98
4113.054	078815 OIL PUMP ASS BLACK EL 6	12,34	4113.208	079091-01 SIDE COVER BLACK	3,04
4113.056	078822 PINION SPACER EL 6	0,52	4113.209	079086-01 RESERVOIR OIL EL 3	2,27
4113.058	078823 BRAKE LATCH COMP SPRING	0,48	4113.211	079088-01 GUARD HAND FRONT EL3	3,45
4113.060	078824 SPROCKET SUPPORT EL 6	1,25	4113.215	098189-01 FIELD EL1 EL 1	38,84
4113.062	078825 BRAKE SNAP SWITCH EL 6	8,28	4113.217	098207-01 BRUSH HOLDER ASS EL3	10,32
4113.064	078826 OIL TANK (AUTOM.) EL 6	2,18	4113.219	098208-01 BRUSH SHUNTED EL 3	4,29

## Spareparts PRICELIST

Code NR	Description	Final Customer price list '02-'03 Euro ex works	Code NR	Description	Final Customer price list '02-'03 Euro ex works
4113.223	079084-02 CAP OIL EL 3	1,34	4113.336	097570-03S GUIDE BAR	18,83
4113.225	098038-01 ARMATURE EL 3 N/A	39,14	4113.338	075499 ROLLER BEARING	2,25
4113.247	MASTER SCR. M5X10LH078837 KETZ	0,45	4113.340	NPC-4C HEX NUT	0,45
4113.248	077776 ASSY SHARPENER EL 1	7,12	4113.350	078330 GRIP HANDLE FRONT EL-4	1,61
4113.249	029903 BALL STEEL EL 3	0,45	4113.351	101043-01 ARMATURE EL-4 1.4 KW	43,38
4113.251	059045 SCREW TAP PAN EL 3	0,45	4113.352	100930-02 FIELD	30,04
4113.253	059046 SCREW TAP PAN EL 3	0,45	4113.390	CONTRA-PLUG 230 V RUBBER(FEM.)	7,94
4113.254	076905 SCREW SHOULDER PAN EL-4	0,73	4114.435	WILMS TRANSFORMATOR BV 380	91,55
4113.255	059606 GEAR DRIVE EL 3	0,57	4114.450	FUSE SUNSTOVE 2-29	1,45
4113.257	075202 CAPACITOR EL 3	3,45	4114.500	NOZZLE 80-0.50	24,50
4113.259	075241 CLAMP CORD EL 3	0,48	4114.534	FLAME MONITOR SUNSTOVE 2-55	42,00
4113.261	075253 SWITCH TRIGGER EL 3	6,99	4114.617	TANK SUNSTOVE 1-22	307,00
4113.263	075676 SPR ROLLER BEARING EL 4	2,36	4114.625	TANK CAP 50 MM SUNSTOVE 1-23	19,50
4113.265	075752 SPROCKET EL-3 + EL-4	5,45	4114.626	TANK CAP 60 MM SUNSTOVE 1-23A	19,50
4113.266	076759 SPROCKET SUPPORT	0,73	4114.799	FUEL PUMP SUNSTOVE 2-1A	159,25
4113.267	076009 SCREW HI-LO EL 3	0,45	4114.807	REV.CHECK VALVE SST/VAL<1992	35,45
4113.269	076032 MOTOR HOUSING KIT	7,65	4114.809	REV.CHECK VALVE SST+VAL>92	35,45
4113.271	076744 BOLT EL 3	0,45	4114.815	BURNER CONTROL SUNSTOVE 2-2	199,00
4113.275	077115 PLATE ASS ADJUSTING EL3	2,22	4114.823	IGN.TRANSFORMER SUNSTOVE 2-3	100,30
4113.277	077143 SUPPORT SPROCKET EL 3	1,13	4114.849	FAN MOTOR SUNSTOVE 2-4	128,30
4113.279	099448-01 GUIDE BAR ASS. EL 3	19,06	4115.077	GUARD FITTING PIECE SUNST.1-6A	11,00
4113.280	100929-01 ARMATURE 230V 1450 W	34,35	4115.093	TOP DISK SUNSTOVE 1-7-2	48,90
4113.281	097973-02 GEAR HOUSING RED INT.4113.324	14,88	4115.127	RADIATION TUBE SUNSTOVE 1-8	118,45
4113.282	100259-01 CHAIN BRAKE ASS.EL 4	31,74	4115.136	CAP SUNSTOVE 1-9	88,60
4113.283	076695 SPROCKET EL 3	11,12	4115.140	SUPPORT CYLINDER SUNSTOVE 1-11	100,60
4113.284	103180-02 (100278-01) MOT. KIT	66,27	4115.150	FUEL GAUGE SUNSTOVE 1-28	35,40
4113.285	100930-01 FIELD	30,65	4115.176	COMBUSTION CHAMBER SUNST.1-14	230,10
4113.286	100255-01 BRAKE BAND EL 4	3,88	4115.200	ELECTRODE L SUNST./VAL 2-41	12,75
4113.290	100217-01 HAND GUARD EL 4	6,10	4115.218	ELECTRODE R SUNST./VAL 2-40	12,75
4113.292	100253-01 BRAKE LATCH EL 4	1,88	4115.226	FILTER COMPLETE 3-9/2-53	45,75
4113.294	100454-01 RETAINING RING EL 4	0,45	4115.234	FILTER ELEMENT 3-10/2-53-2	8,75
4113.296	100262-01 SWITCH EL 4	6,78	4115.242	ELBOW NIPPLE VAL 3-15	12,75
4113.298	100159-01 SCREW EL 4	0,45	4115.259	FILTER NIPPLE VAL 3-16	8,45
4113.300	100160-01 SCREW EL 4	0,45	4115.267	PUMP ELBOW 3-18/2-43	10,95
4113.301	100161-01 SCREW	0,50	4115.268	PUMP ELBOW VAL6 2-STEP 3-18A	12,50
4113.302	100162-01 SCREW EL 4	0,57	4115.271	PHD NIPPLE VAL 3-84	33,95
4113.304	100254-01 BUSHING EL 4	0,86	4115.275	FUEL PUMP VAL6 1-STEP 3-19	211,95
4113.306	100256-01 DOWEL PIN EL 4	0,54	4115.283	REVERSE CHECK VALVE (OLD) VAL	35,45
4113.308	100455-01 COMPR. SPRING EL 4	0,45	4115.285	REVERSE CHECK VALVE (NEW) VAL	35,45
4113.310	100261-01 TORSION SPRING EL 4	0,45	4115.291	PUMP NIPPLE <92 VAL6 1-ST 3-21	10,95
4113.312	100218-01 CH. BRAKE HOUS. EL 4	4,29	4115.292	PUMP NIPPLE >92 VAL 1-ST 3-21A	10,95
4113.314	100219-01 CH. BRAKE COVER EL 4	3,54	4115.305	JACK VAL6 3-98	15,95
4113.316	076014 MOTOR HOUSING	6,31	4115.309	FUEL INTAKE LINE VAL 3-22	16,95
4113.318	076105 THRUST DISC	0,45	4115.317	BURNER CONTROL VAL 3-37	252,00
4113.320	097570-04(-01S) GUIDE BAR 35CM	17,54	4115.321	REPAIR BURNER CONTROL	110,50
4113.322	100279-01 BOLT	0,79	4115.322	SCREW RADIATION DISK	0,45
4113.324	097973-02(11) HOUSING GEAR EX 4113.281	14,52	4115.325	FAN MOTOR VAL6 1-STEP 3-47	119,95
4113.328	100263-01 ASSEMBLY WIRE	1,11	4115.333	FLAME MONITOR VAL 3-48	41,95
4113.332	076720A OIL RESERVOIR N/A	10,51	4115.341	HIGH TENSION CORD VAL 3-52	4,75
4113.334	097570-01 GUIDE BAR = 4113.320	17,52	4115.345	SWITCH OPERATION	17,75

## Spareparts PRICELIST

Code NR	Description	Final Customer price list '02-'03 Euro ex works	Code NR	Description	Final Customer price list '02-'03 Euro ex works
4115.358	HIGH TENS. CORD CAP VAL 3-53	3,85	4116.026	WHIRL VANE VAL 3-59	4,55
4115.366	SWITCH HI-LOW 3-100	17,75	4116.067	MISFIRE LAMP VAL 3-65	13,25
4115.374	BURNER PACKING VAL 3-74	9,15	4116.091	SWITCH LEAD 3-70	1,00
4115.382	FUEL TANK VAL 2-1	337,45	4116.092	3-73B CABLE STOPPER & NUT VAL6	13,30
4115.383	2-1 FUEL TANK KL	306,76	4116.093	3-55A SCREW VAL-6	0,45
4115.390	WHEEL VAL 2-7	66,50	4116.141	O-RING VAL 3-89	2,45
4115.407	DRAIN CAP VAL 2-8A	33,65	4116.158	FUEL TANK (PACKING 2) VAL	685,00
4115.408	DRAIN BOLT (OLD) VAL 2-16	5,50	4116.161	RETURN LINE VAL6 1-STEP 3-80	7,65
4115.409	DRAIN BOLT (NEW) VAL 2-16A	5,50	4116.166	AIR VENT VALVE VAL+SST	89,35
4115.424	FUEL GAUGE VAL 2-10	35,40	4116.167	SWIVEL BASE VAL 2-2	40,80
4115.425	FUEL GAUGE VAL-6 KB 2-5	25,75	4116.172	RETURN LINE NIPPLE VAL 3-81	14,65
4115.432	TANK INLET FILTER VAL 2-11	13,55	4116.174	SWIVEL BOLT VAL 2-3	12,10
4115.440	FILLER CAP VAL 2-12	23,00	4116.182	TANK LEG VAL 2-4	68,85
4115.457	SUCTION PIPE (SINGLE) VAL 2-13	35,39	4116.190	GRIP VAL 2-5	48,70
4115.458	SUCTION PIPE(DOUBLE) VAL 2-13A	35,40	4116.203	NOISE FILTER 3-92 VAL	65,00
4115.465	FUEL INTAKE LINE FLEX. 2-14	64,90	4116.204	NOISE FILTER WITH FUSE 3-92	80,00
4115.473	RADIATION DISK VAL 1-1	210,20	4116.205	NIPPLE FITTING NUT VAL 3-94	3,75
4115.481	CONICAL INSULATOR VAL 1-2	405,00	4116.216	MAIN UNIT (PACKING 1) VAL	1.515,00
4115.499	DRUM VAL 1-3	41,10	4116.224	VISOR VAL 1-6	164,70
4115.507	CONICAL HOUSING VAL 1-4	176,40	4116.231	SCREW FOR GUARD RAIL VAL	0,50
4115.515	BURNER FITTING PIECE VAL 1-5	35,70	4116.232	GUARD RAIL VAL 1-7	94,10
4115.523	ROOM THERMOSTAT TH-3	69,00	4116.273	BURNER (PACKING 3) VAL	1.352,00
4115.535	CABLE + CONNECTOR TBV TH-3 THERM	10,21	4116.281	OPERATION LAMP SUNSTOVE 2-44	15,95
4115.549	CLAMP BOLT (RH) VAL 1-9	6,25	4116.315	FAN MOTOR VAL 6 110V	92,75
4115.556	CLAMP BOLT (LH) VAL 1-10	6,25	4116.331	TRANSFORMER VAL-6 110 VOLT	39,16
4115.564	CLAMP LEVER VAL 1-11	13,20	4116.349	CAPACITER ZNR VAL 6 3-87	7,74
4115.614	NOZZLE 1.00-80 VAL6 1-ST+KL	15,25	4116.356	DIODE VAL6 3-88	4,25
4115.615	NOZZLE 0.85-80 VAL6 2-ST	15,25	4116.364	CIRCUIT BOARD VAL-6	9,76
4115.622	NOZZLE HOLDER SUNSTOVE 2-36	30,45	4116.372	FUEL PREHEATER VAL6	107,32
4115.623	NOZZLE HOLDER VAL 3-2	14,65	4116.377	ASSEMBLY CABLE TBV THERM. TH-3	4,08
4115.624	NOZZLE PIPE VAL 3-3	24,75	4116.379	RADIATION DISK MINI VAL 1-1	267,73
4115.648	ELECTRODE STAY SUNSTOVE 2-38	12,00	4116.380	ELECTRODE NIPPLE 3-93	2,00
4115.663	ELECTRODE COVER VAL 3-8	2,25	4116.598	ELECTRODE R MINIVAL	16,13
4115.671	FILTERBOWL VAL/SUNST.2-53-3	6,25	4116.599	ELECTRODE L MINIVAL	16,13
4115.697	FUEL INTAKE LINE VAL 3-17	13,15	4116.600	COMBUSTION CHAMBER MINIVAL 1-7	122,43
4115.739	HOUSING VAL 3-25	84,65	4116.601	SLEEVE MINI VAL 1-8	58,99
4115.747	HOUSING GRIP 3-26	22,95	4116.602	PACKINGRING 1-14 MINIVAL	8,48
4115.762	HOUSING SEAL 3-28	11,98	4116.603	NOZZLE 0.65-80 MINIVAL	13,86
4115.770	SEAL VAL	5,45	4116.604	THERMOSTAT CABLE KPL TBV TH-3	6,24
4115.788	HOUSING FITTING PIECE A 3-30	3,25	4116.605	1-6 GUARD MINI VAL	60,47
4115.789	HOUSING FITTING PIECE B 3-55	2,60	4116.607	ELECTRODE SET N2-40 S.ST >81	26,25
4115.853	FUSE HOLDER VAL 3-38	10,25	4116.609	ELECTRODE FITTING VAL 3-7	2,25
4115.887	FUSE VAL 3-41	1,45	4116.610	FUEL PUMP VAL6 2-STEP 3-19	246,00
4115.928	CHASSIS GROMMET VAL 3-44	1,45	4116.612	FAN MOTOR VAL6 2-STEP 3-47	121,50
4115.929	FACE PLATE 3-45	17,65	4116.613	FUEL INTAKE LINE VAL6 2-STEP	16,25
4115.952	FLAME MON. BRACK. SUNST.2-42	9,15	4116.615	TRANSFORMER VAL6 2-STEP 3-51	100,50
4115.960	TRANSFORMER VAL 3-51	100,50	4116.616	RETURN LINE VAL6 2-STEP 3-80	7,65
4115.994	HOUSING SEAL VAL 3-56	21,30	4116.620	RELAY VAL6 2-STEP 3-76	40,50
4116.000	BURNER BOSS VAL 3-57	24,60	4116.630	FUEL PUMP VAL6KB +1-ST 2001	211,95
4116.018	BURNER CONE VAL 3-58	42,25	4116.631	BURNER CONTROL ALL VAL6 2001	252,00

## Spareparts PRICELIST

Code NR	Description	Final Customer price list '02-'03 Euro ex works	Code NR	Description	Final Customer price list '02-'03 Euro ex works
4116.632	FAN MOTOR VAL6KL +1-ST 2001	119,95	4140.150	MON. DIODES BD 3672	17,70
4116.633	S.D.TRANSFORM. ALL VAL6 2001	62,33	4140.155	COMPRESSOR BD 2420	412,94
4116.635	CHANGE OVER SWITCH 503081 01002	17,75	4140.156	COMPRESSOR BD 2424	490,08
4116.636	TRANSFORMER 502912 01003	100,50	4140.302	SENSOR BD 2411	29,95
4116.637	SWITCH 502911 01002	17,75	4140.303	CONTROL BOX BD 2411-18-20-24	264,55
4116.638	FUEL PUMP VAL6 2-STEP 3-19 AFTER2001	246,00	4140.304	SENSOR BD 2418-20-24	29,95
4116.750	CONICAL INSULATOR 502982 03001	325,00	4140.305	DRIP TRAY BD 2411/2418/2420	24,05
4116.751	CONICAL HOUSING 502981 03003	169,30	4140.306	WATERSTOP SENSOR BD2411-18-20	14,52
4116.752	BURNER PACKING 502982 01016	9,15	4140.307	30 FILTERFRAME BD2418-20	68,29
4116.753	PROTECTOR 502191 03004	56,40	4140.308	AXLE BD 2420	9,05
4116.754	PROT. BRACKET 502982 02012	18,80	4140.309	WHEEL BD 2420	18,13
4116.755	FUEL HOUSE 503002 02009	42,50	4140.310	FILTER BD 2418-2420	14,75
4116.756	SUCTION PIPE ASS 503001 02008	28,30	4140.311	ON-OFF SWITCH BD 2420	8,60
4116.757	TANK 503001 02002	337,45	4140.312	7 COIL FOR SOLENOID VALVE 2420	16,56
4116.758	BURNER CONE 503002 01017	25,77	4140.313	28 WATERCONT./TANK BD2411-18	68,29
4116.759	NOZZLE 503002 01018	18,25	4140.314	19 BASE CONTROL BOX BD2411-18-2	37,44
4116.760	ELECTRODE 503032 01010	27,50	4140.315	SENSOR TERMINAL	31,31
4116.761	DIFFUSER 502842 02007	45,20	4140.316	SENSOR AIR	23,60
4116.762	FLAME MONITOR COMPL. 502621 02008	41,95	4140.317	SENSOR CONDENSATOR	23,60
4116.763	POMP 503032 01A03	180,15	4140.318	5 EVAPORATOR COIL BD2420	270,00
4116.764	FUSE 502912 01006	1,75	4140.400	UNLOADING SLEEVE	1,36
4116.765	FUSE HOLDER 502912 01004	10,25	4140.401	DISTANCE BUSH	1,36
4116.766	FUEL OUTLET LINE 503002 01009	16,95	4140.402	LABEL OPERATION	4,31
4116.767	FAN MOTOR 503032 01002	119,95	4140.403	PC-BOARD CONTROL DH38/51/79	260,92
4116.768	IGNITION TRANSFORMER 503032 01002	99,50	4140.404	FRONT JACKET DH3818	85,26
4116.769	SWICTH ASS. 502991 01001	19,75	4140.405	SCREW PHX 5X35 HANDLE MOUNTING	0,48
4116.770	RETURN LINE 0503002 01014	11,85	4150.001	HANDLE GASHEATER 1225/1840	10,51
4140.060	E.T.A. RELAY 4.0 A	54,00	4150.002	T-CONNECTOR WA29A/WA41A	91,89
4140.061	E.T.A. RELAY 6.0 A	54,00	4150.003	PUMPMOTOR	230,23
4140.100	HYGROSTAT	98,02	4150.004	PUMPMOTOR WA 29 A	197,14
4140.101	HYGROSTAT FOR DEHUMIDIFIERS	170,17	4150.005	FILTER	11,34
4140.102	TEST-UNIT BD 2411-18-20-24	251,17	4150.006	PUMP	110,27
4140.110	MON. COMPRESSOR	723,78	4150.007	PUMP WA 29 A	121,61
4140.111	MON. COND. COIL VERD.	204,20	4150.008	MOTOR GASHEATER 1225/1840	9,62
4140.112	MON. PRINTBOARD BD 3672-2754	61,26	4150.009	FAN MOTOR B1225G/1840GA	59,22
4140.113	MON. CONDENSOR COIL BD2754	142,94	4150.010	ELECTRODE 3 TYPES GH	26,09
4140.114	MON. FAN BD 3672	27,00	4150.011	ELECTRODE GASHEATER	9,01
4140.115	MON. MOTOR BD 2754	158,82	4150.012	LIGHTPLATE B1225G/B1840 GA	9,10
4140.116	MON. MOTOR BD 3672	179,24	4150.013	BURNER GASHEATER 1225/1840	62,49
4140.124	MON. CAPACITOR	23,60	4150.014	FRONTGRILL B1225G/B1840 GA	15,50
4140.125	MON. CONDENSER	79,41	4150.015	CONSOLE GASHEATER 1225/1840	30,81
4140.132	MON. RING WH 50 - 220 R	5,67	4150.016	NIPPLE GASH. B1225/1840/3560GA	9,12
4140.134	MON. RELAY	81,68	4150.017	MEGNET VALVE B1225/1840/3560	90,03
4140.136	MON. WATER RETURN	52,64	4150.018	THERMOCOUPLE GASHEATER B1225G	43,11
4140.138	MON. MOTOR	122,52	4150.019	KLIXON-THERMOSTAT	8,17
4140.140	MON. PRINT BD 3672 AUTOMATIC	158,82	4150.020	OVERHEAT-SWITCH	16,54
4140.142	MON. FAN MOTOR	288,15	4150.021	COMBUSTION DISH	108,90
4140.144	MON. TEMP BD 3672	11,34	4150.022	COMBUSTION DISH WA 29 A	22,96
4140.146	MON. PRINT BD 2754	49,35	4150.024	TERMINAL BLOCK GASHEATER 1225/1840GA	1,02
4140.148	MON. COUPLER	77,12	4150.025	POWERCORD B1225/1840/3560G	13,14

## Spareparts PRICELIST

Code NR	Description	Final Customer price list '02-'03 Euro ex works	Code NR	Description	Final Customer price list '02-'03 Euro ex works
4150.026	SWIVEL GASHEATER B1225G/1840GA	1,52	4150.240	RING CLAMP B3560GA	0,29
4150.027	CABLE STOP GASHEATER B1840GA	30,81	4150.241	CAP B3560GA	2,24
4150.028	TRANSFORMER B1840GA/3560GA	88,58	4150.250	COUPLING KIT DUTCH	56,15
4150.029	LAMP GASHEATER B1840GA/3560GA	9,10	4150.251	PLUG TBV GAS-THERMOSTAT	13,50
4150.030	THERMOSTAT CONN. B1840GA/3560	14,23	4150.252	GAS HOSE + COUPLING B 1225-3560	22,69
4150.031	COVER GASH. B1840GA/3560GA	5,06	4150.253	GASKET REPLACEMENT FOR COUPLE	0,41
4150.032	SWITCH GASHEATER B1225G	8,10	4150.254	SLEEVE FOR GASREGULATOR	0,50
4150.033	BURNER B1840GA/3560GA	118,44	4150.260	COUPLING KIT EUROPE	66,35
4150.034	SUPPORT GASHEATER B1840GA	1,02	4150.300	GAS REGULATOR 0-40 KG	619,41
4150.035	RING-RUBBER GASHEATER B1840GA	4,58	4150.305	GAS REGULATOR 0-200 KG	1.077,73
4150.037	ADJUSTIBLE BRACE GASHEATER 1225/1840	7,20	4150.415	GASHOSE REDDY LP-3	10,89
4150.038	PIEZO B1225G	6,29	4150.416	REGULATOR 50-150 MBAR	11,80
4150.039	GROUNDPLATE GASHEATER 1225/1840	15,53	4150.500	099540-01 FAN GUARD BLP35	8,90
4150.040	GASHOSE B1225G/1840/3560	22,44	4150.501	097952-07 THERM. SWITCH BLP150	44,75
4150.041	HOSE SECURE 1225/1840	19,44	4150.502	099538-01 THERMOCOUPLE BLP35	11,25
4150.042	UPPER RING WA 29 A	27,86	4150.503	097776-01 BUSHING BLP35/150	0,50
4150.043	UPPER RING WA 41 A	43,20	4150.504	099541-01 ORIFICE-VALVE	33,10
4150.044	HEAT SHIELD WA 41 A	11,46	4150.505	099537-02 FAN BLP35	6,00
4150.047	HEAT SHIELD WA 59 A	49,62	4150.506	099539-01 ELECTRODE-IGNITOR	6,00
4150.105	ROOM-THERMOST. TH-5	69,00	4150.507	102445-01/097159-01 IGNITOR 35	11,00
4150.110	ROOM-THERMOST. TH-5A 460/680	69,00	4150.508	099727-01 BURNER ASS. BLP35	15,10
4150.115	CORD UNDER	19,24	4150.509	099230-01 SCREW BLP35	0,65
4150.120	GAS FLOW MAIN B1840G	2,15	4150.510	100399-01 HOSE/REGUL. BLP35	49,32
4150.121	ATOMIZER B1840GA	8,69	4150.511	097805-01 IGNITOR BLP150/300	11,00
4150.132	SWITCH GASH. B1840GA/3560G	4,46	4150.512	097953-02 HOSE/REGUL. 150/300	132,30
4150.150	SETUP KNOB TBV TH-1/TH-5 THERM	3,40	4150.513	097849-02 BURNER ASS. BLP150	122,95
4150.175	099679-02 NOZZLE BLP300	19,00	4150.514	098428-01 CLIP BLP150	0,85
4150.201	CORD UPPER	8,05	4150.515	098434-01 SPACER BLP150	2,30
4150.202	MICRO-SWITCH	14,50	4150.516	097806-02 IGNITOR CABLE	5,00
4150.203	CYLINDER WA 29 A	26,48	4150.517	099125-06 TERMINAL BOARD	6,30
4150.204	SUPPORT B3560GA	16,00	4150.518	100371-01 LAMP BLP150/300	8,50
4150.207	OPERATION PANEL B3560GA	3,14	4150.519	100299-01 REAR PLATE BLP150	31,70
4150.208	CONDENSATOR B3560GA	10,20	4150.520	097964-03AA FAN GUARD BLP150	15,00
4150.214	WATERJACKET B3560GA	24,66	4150.521	100298-01 MOTOR BLP150	132,25
4150.215	RADIATION PLATE B3560GA	18,74	4150.522	M 51153-01 FAN BLP150	9,30
4150.216	BURNER B3560GA	37,81	4150.523	099237-01 THERMOCOUPLE CLIP	0,45
4150.219	MAXIMAL THERMOSTAT B3560	20,42	4150.524	098201-01/097803-01 VALVE SOL.	69,88
4150.220	T-STAT BRACE B3560GA	1,17	4150.525	100144-01 MOTOR BLP300	124,80
4150.221	TULE B3560GA	0,64	4150.526	M 51605-04 DSI CONTROL 150/300	100,00
4150.222	CONSOLE B3560GA	31,23	4150.528	M 50400 STRAIN RELIEF BUSHING	7,00
4150.223	ATOMIZER B3560GA	8,22	4150.530	100398-01 MOTOR BLP35	74,80
4150.224	GAS FLOW MAIN B3560GA	6,74	4150.535	097811-01 FAN BLP300	15,50
4150.228	COUPLING B3560GA	2,81	4150.536	097964-01AA FAN GUARD BLP300	20,00
4150.230	SUPPORT B3560GA	0,81	4150.548	NPC 00C NUT BLP150/300	0,50
4150.233	HOSE CLAMP B3560GA	19,42	4150.550	097952-06 THERM. SWITCH BLP300	43,40
4150.234	REGULATOR B3560GA	54,00	4150.551	097952-04 THERMAL SWITCH BLP35	38,00
4150.236	CABLE B3560GA	1,00	4150.553	M 50631 BUMPER RUBBER BLP150	0,50
4150.237	INLET GRILL B3560GA	7,58	4150.560	097849-01 BURNER ASS. BLP300	104,55
4150.238	OUTLET GRILL B3560GA	11,80	4150.595	098425-01 NOZZLE BLP150	17,90
4150.239	WHEEL B3560GA	13,68	4150.597	097905-02 FUEL TUBE BLP150	18,00

## Spareparts PRICELIST

Code NR	Description	Final Customer price list '02-'03 Euro ex works	Code NR	Description	Final Customer price list '02-'03 Euro ex works
4150.598	HOSE SAFETY GUARD BLP 35 E	13,50	4150.668	24 GAS NOZZLE 29/30KW M/A INT.4160.722	2,25
4150.600	01 COVER 14KW	50,10	4150.669	24 GAS NOZZLE 46KW M/A	2,25
4150.601	01 COVER 29KW M/A	52,16	4150.670	24 GAS NOZZLE 69KW M/A	2,25
4150.602	01 COVER 46KW M/A	71,55	4150.671	25 ELECTRODE MET.BASE M-MOD	11,25
4150.603	01 COVER 69KW M/A	74,80	4150.672	25 ELECTRODE A-MODELS INT. 4161.046	7,45
4150.605	02 COMBUSTION CHAMBER 29KW M	19,94	4150.673	THERMOCOUPLE L=320MM GIUNTO FIL.M8X1 MAN.	6,00
4150.608	02 COMBUSTION CHAMBER 29KW A	25,00	4150.674	26 THERMOCOUPLE A-MODELS INT.4161.138	6,40
4150.611	03 OUTLET GRILL 14/29KW M PLASTIC BASE	8,70	4150.676	27 GAS BURNER 29KW M/A INT.4160.687	24,75
4150.612	03 OUTLET GRILL 29KW METAL BASE	10,00	4150.678	27 GAS BURNER 46/69KW M/A INT.4160.676	25,00
4150.613	03 OUTLET GRILL 46KW M/A	12,25	4150.679	28 RING NUT M-MODELS INT.4160.701	0,85
4150.614	03 OUTLET GRILL 69KW M/A	13,75	4150.680	28 PILOT FLAME A-MODELS INTERC.4161.102	17,00
4150.615	04 HANDLE ALL MODELS	2,50	4150.681	29 REGULATOR A-MODELS INT.4161.035	23,00
4150.616	05 SAFETY THERMOSTAT INT.4160.636	7,75	4150.682	29 FERRULE FOR THERM.COUP. M	1,95
4150.617	06 MOTOR 14KW M INT.4160.628	48,30	4150.685	31 BASE 29KW M	22,67
4150.618	06 MOTOR 29KW M/A INT.4160.629	64,14	4150.695	33 FIX CASE A-MODELS INT.4031.088	3,40
4150.619	06 MOTOR 46KW M/A INT.4160.630	61,14	4150.696	34 PLUG-IN A-MODELS	5,67
4150.620	06 MOTOR 69KW M/A INT.4160.958	101,80	4150.698	21/20 END FITTING 29/46/69 SEE 4161.139	7,40
4150.621	07 FAN 14KW INT. 4161.049	3,70	4150.699	21 EXTENDING NOZZLE FITT. 46A	6,13
4150.622	FAN EL5 D.230 19° AA	4,25	4150.701	SEE 4150.711 REGULATOR 1A	25,75
4150.623	FAN EL5 D.254 23° AA	5,30	4150.702	SEE 4150.712 REGULATOR 2A	25,75
4150.624	07 FAN 69KW M/A INT.4160.959	9,00	4150.703	REGULATOR NR.3	29,50
4150.625	08 WIRE NUT ALL MODELS	1,95	4150.704	SEE 4150.714 REGULATOR 4A	29,50
4150.626	09 ELECTRIC CABLE ALL MODEL INT.4160.631	5,00	4150.705	REGULATOR NR.5	25,75
4150.634	11 PIEZO IGNITOR ALL MODELS METAL BASE	10,75	4150.706	SEE 4150.716 REGULATOR 6A	25,75
4150.635	12 SWITCH ALL MODELS	3,75	4150.707	SAFETY VALVE ALL GASH. TYPES	22,46
4150.636	13 GAS INLET SOCKET ALL MODELS	1,75	4150.708	GASHOSE ALL MODELS SEE 4160.661	10,66
4150.638	14 LOWER PROT. COVER 29KW M/A	10,11	4150.709	PILOT FLAME COVER A-MODELS SEE 4161.048	7,00
4150.641	15 90 DEGREE ELBOW 14/29KW M	1,62	4150.710	REGULATOR 7A EX 4160.665	25,75
4150.642	15 90 DEGREE ELBOW 46/69KW M	6,11	4150.711	REGULATOR 1,5BAR ITA/GR. SEE 4160.673	25,75
4150.643	16/15 GAS VALVE 14/29KW M/A	23,25	4150.712	REGULATOR 1,5 BAR DE/A/DK SEE 4160.658	25,75
4150.644	16/15 GAS VALVE 46/69KW M/A	30,95	4150.713	REGULATOR 1,5 BAR GB(U.K) EX 4160.669	25,75
4150.645	16 90 DEGREE ELBOW A-MODELS	3,50	4150.714	REGULATOR 1,5 BAR NL EX 4160.677	25,75
4150.647	18/17 ELECT.VALVE 14/29KW INT.4160.655	28,50	4150.715	REGULATOR 1,5BAR E/F/CH EX 4160.681	25,75
4150.648	18/17 ELEC.VALVE 46/69KW INT.4160.963	32,90	4150.716	REGULATOR 1,5 BAR PL EX 4160.685	25,75
4150.649	19 GAS TAP 0,5 14KW M	13,15	4150.717	CONNECTION FAN EL+GAS	1,25
4150.650	19/18 GAS TAP 0,8 29KW M/A	13,15	4150.718	31 PLASTIC BASE 14/29KW M/A	22,50
4150.651	19/18 GAS TAP 1,0 46KW M/A	21,00	4150.719	TABLE WHITE LP-2	72,38
4150.652	19/18 GAS TAP 1,2 69KW M/A	24,45	4150.720	TROLLEY LP-2	61,26
4150.653	20/19 EXT.ENTR FITT.14/29M 29A	3,00	4150.723	23 IGNITION ELECTRODE LP-10	7,49
4150.654	20 EXTEND. ENTRY FITT. 46/69M	6,75	4150.724	26 GAS NOZZLE LP-10	2,04
4150.655	19 EXTEND.ENTRY FITT.46/69A INT.4150.654	6,75	4150.730	UNIVERS. REG. 50 MBAR + SL.PIL	7,92
4150.656	21 END FITTING 14/29KW M INT.4161.139	7,40	4150.750	13 GAS FILTER CARTIDGE LP-2	5,67
4150.657	22 EXT.NOZZLE FITTING 14KWM INT.4150.653	3,00	4150.751	19 GAS TAP LP-2	14,75
4150.658	22 EXT. NOZZLE FITTING 29KW M	3,50	4150.753	23 NOZZLE FITTING LP-2 INT.4150.653	7,94
4150.659	22 EXT. NOZZLE FITT. 46KW M	6,75	4150.754	25 NOZZLE LP-2	2,61
4150.660	21 EXTEN. NOZZLE FITT.A-MODELS 69 KW	7,15	4150.755	26 ELECTRODE LP-2	9,30
4150.661	22 EXT. PILOT FITT. 29KW A	6,75	4150.756	BURNER COMPLETE LP-2	374,37
4150.662	22 EXT.PILOT FITT.46/69KW A INT.4150.661	6,75	4150.757	01 BURNER CAP LP-2	88,49
4150.664	23 PIN 29KW M/A	7,50	4150.758	06 RUBBER GASKET 70 LP-2	5,67
4150.667	24 GAS NOZZLE 14KW INT.4161.103	2,25	4150.759	07 RUBBER GASKET 120 LP-2	5,67

## Spareparts PRICELIST

Code NR	Description	Final Customer price list '02-'03 Euro ex works	Code NR	Description	Final Customer price list '02-'03 Euro ex works
4150.760	27 GAS BURNER LP-2	34,03	4160.100	MAS EL PLUG-CONTRA 5-PIN 16 A	10,50
4150.761	25.1 ELECTR. PLAST. BASE 14/29	11,25	4160.101	01 PLUG 4 P-MALE 32A 15KW	32,50
4150.762	11.1 PIEZO IGN.PLASTIC BASE	10,75	4160.102	01 PLUG 5 P-MALE 16A 5/9KW	11,30
4150.800	330W ELCTRODE LEAD REDDY PATIO	2,72	4160.103	01 PLUG 5 P-MALE 32A 15/22KW	21,25
4150.803	698W ELECTRODE STRAIGHT LP-1	7,26	4160.104	MAS EL MOTORBRACKET B9TH B	15,30
4150.804	COMPLETE BURNER LP-1	769,16	4160.105	01 PLUG 4 P-MALE 16A 5/9KW	24,75
4150.805	ALUMINIUM CAP 80 CM.	114,81	4160.106	MAS EL WIRINGSET B9TH B	9,50
4150.806	RUBBER RING FOR BASE LP-1	3,40	4160.108	MAS EL STAND L + R B9TH B	14,40
4150.807	THERMOCOUPLE LP-1	15,32	4160.160	RIGHT PIPE HANDLE B6/10IT	26,36
4150.808	313W LOW.PROT.CAP & LITTLE CYC	21,67	4160.193	09 ELECTRIC SWITCH 2KW	12,45
4150.884	097809-01 MALE FITTING 300	2,15	4160.196	02 SWITCH 3/5KW	18,75
4150.885	098825-01 MALE COMPRESS. ELBOW	3,25	4160.197	02 SWITCH 9/15KW	24,10
4150.886	097153-02 PIPE NIPPLE 1/4X 2"	2,11	4160.198	03 THERMOSTAT 2/3KW	14,43
4150.889	PROPANE GASHOSE 1/4 BLP15M INT.4160.656	10,66	4160.199	03 THERMOSTAT 5/22KW	67,00
4160.001	MAS EL MOTOR B2E	73,35	4160.200	04 KNOB	3,00
4160.002	MAS EL ELEMENT 2 KW B2E	43,55	4160.201	05 MOTOR 2/3KW	55,15
4160.003	MAS EL FAN B2E	16,50	4160.202	05 MOTOR 5KW	58,00
4160.005	MAS EL MOTOR B3E	102,70	4160.203	05 MOTOR 9/15KW	72,50
4160.008	MAS EL SWITCH B2ES	19,85	4160.204	08 ELEMENT 3/5KW	17,60
4160.009	MAS EL MOTOR B6E	114,25	4160.205	08 ELEMENT 9KW	18,75
4160.010	MAS EL SWITCH B6E	54,00	4160.206	08 ELEMENT 15KW	29,50
4160.011	MOTOR B12E SEE 4160.203	105,40	4160.207	09 TEMP. LIMITER 2/3KW	15,20
4160.013	MAS EL SWITCH B12E	61,45	4160.208	10 MAINS-LEAD 2/3KW	5,15
4160.014	MAS EL MOTOR CA2J5770 K B18 E	174,50	4160.209	02 TOP COVER 2KW	25,00
4160.016	MAS EL SWITCH H3P-X88 B18E	75,00	4160.210	12 TOP COVER 3/5KW	25,00
4160.017	MAS EL ELEMENT 2 KW B6E	50,40	4160.211	12 TOP COVER 9KW	25,00
4160.018	MAS EL ELEMENT 2 KW B12E	47,32	4160.212	12 TOP COVER 15KW	25,00
4160.019	MAS EL ELEMENT 3 KW B18	61,70	4160.213	FUSE 4 AMP. 15/22KW	2,75
4160.024	MAS EL SWITCH B3E	14,50	4160.214	07 INSULATION PLATE 15KW	10,25
4160.025	THERMOSTAAT 4/4P B12E TH-4A	151,50	4160.215	07 INSULATION PLATE 9KW	10,00
4160.030	THERMOSTAAT B18E 4/4 TH-4B	218,50	4160.216	07 INSULATION PLATE 5KW	7,10
4160.035	MAS EL WIRINGSET B 12 E ASS.	23,15	4160.217	07 INSULATION PLATE 3KW	6,00
4160.036	MAS EL PLUG 32 A. 4-PIN	18,50	4160.218	03 THERMOSTAT KIT 5/22KW	67,50
4160.058	MAS EL ELEMENT B3TH B	41,85	4160.220	15 FAN 2KW	14,00
4160.061	MAS EL ELEMMENT B9TH B	40,50	4160.221	16 INSULATION PLATE 2KW	6,00
4160.064	06 FAN 3/5KW	18,75	4160.222	17 HEAT ELEMENT 2KW	30,10
4160.066	06 FAN B9TH/B12E	24,70	4160.223	14 SWITCH 22KW	33,00
4160.067	06 FAN 15KW	24,90	4160.225	21 MOTOR + FAN 22KW	275,00
4160.069	MAS EL THERM. SWITCH B5+9TH B	73,80	4160.227	29 ELEMENT 22KW	41,70
4160.072	MAS EL THERMOSTAT B3+B15TH B	71,50	4160.228	27 INSULATION PLATE LEFT 22KW	16,10
4160.073	MAS EL THERMOSTAT B5+B9TH B	133,70	4160.229	32 BODEMPLAAT 22KW	18,75
4160.075	MAS EL SWITCH B3TH B	33,40	4160.230	20 REAR GRILL 22KW	29,20
4160.077	SWITCH B9TH B	30,38	4160.231	28 INSULATION PLATE RIGHT 22KW	16,10
4160.078	MAS EL MOTOR B3TH B	73,45	4160.232	FRONT GRILL 3/5KW	15,30
4160.094	MOTORBRACKET ALTERNATIVE B12E	21,60	4160.233	FRONT GRILL 9KW	18,35
4160.095	MAS EL TOPCOVER B9TH B	17,92	4160.234	FRONT GRILL 15KW	22,25
4160.096	MAS EL FRONTGRILLE B9TH B	16,75	4160.235	HANDLE 9/15KW	20,00
4160.097	MAS EL BACKGRILL B9TH B	16,75	4160.236	CAPACITOR 22KW	10,95
4160.098	MAS EL KNOB B9TH B	8,50	4160.250	HOSE 160MM X 700CM YELLOW	103,00
4160.099	MAS EL PLUG-CONTRA 5-PIN 32 A	13,00	4160.251	HOSE 200MM X 700CM YELLOW	132,00

## Spareparts PRICELIST

Code NR	Description	Final Customer price list '02-'03 Euro ex works	Code NR	Description	Final Customer price list '02-'03 Euro ex works
4160.300	CERAMIC EMITTER 1.5 KW TS-3	71,75	4160.615	WASHER, FLAT M5 6592-125	0,50
4160.301	ROCKER SWITCH TS-3	8,95	4160.616	HEX, NUT M4	0,50
4160.302	NEON INDICATOR TS-3	12,75	4160.617	HEX, NUT M6	0,50
4160.303	STRAIN RELIEF BUSH. TS-3	1,35	4160.618	HEX, NUT M5	0,50
4160.350	LAMP 1.5 KW HAL3000	164,00	4160.619	HEX, NUT M3	0,45
4160.351	CONNECTOR HAL3000	3,70	4160.620	ELBOW 90° M.F. 1/8" CONE	3,50
4160.352	FUSE HOLDER HAL3000	5,25	4160.621	ELBOW 90° M.F. 1/8" -NUT, BUSHING D.4	4,50
4160.353	FUSE 16A/240V HAL3000	3,70	4160.622	NIPPLE 1/8" M.M. CYLINDER	3,50
4160.400	03 PLUG FEMALE THERM. 10KW	30,20	4160.623	NOZZLE 1/8"	5,50
4160.401	04 CHASSIS FEMALE 10KW	19,15	4160.627	ELASTIC WASHER	0,55
4160.402	24 PC-BOARD 10KW	53,80	4160.628	ELECTRIC MOTOR	45,25
4160.403	26 FAN MOTOR + CAPACITOR 10KW	302,00	4160.629	ELECTRIC MOTOR	55,25
4160.404	29 LAMP 10KW	10,40	4160.630	ELECTRIC MOTOR	65,75
4160.405	30 THERMOSTAT 10KW	41,60	4160.631	ELECTRIC CABLE	4,95
4160.406	32 SAFETY THERMOSTAT 10KW	56,10	4160.632	FLAME PROBE	3,55
4160.407	36 RELAY BS10/15E/B22TH	59,20	4160.635	KEEPER WIRE DEVICE	2,25
4160.408	11 PIPE HOLDER 10/15KW	37,44	4160.636	SAFETY THERMOSTAT	7,45
4160.409	16 PIPE HOLDER PLUG 10/15KW	2,16	4160.637	SWITCH	3,59
4160.410	15 NUT FEMALE	0,68	4160.638	COVER SWITCH	1,50
4160.411	14 NUT MALE	0,68	4160.639	RIVET POP	0,50
4160.450	WALL BRACKET B6-B10 IT	27,75	4160.640	ADAPTER FOR PIEZO IGNITOR	1,00
4160.451	GRIP B6-B10	78,20	4160.641	PIEZO IGNITOR	8,55
4160.453	CABLE RELIEF B6/10IT	6,45	4160.642	IGNITION ELECTRICAL FOLDER	6,55
4160.454	SOCKET B6/10IT	4,40	4160.646	GROMMET	0,50
4160.455	PC-BOARD B6/10IT	150,00	4160.647	ANGULAR FIX CASE	5,75
4160.456	SUPPORT PC-BOARD B6/10IT	2,85	4160.648	COMPLETE PLUG IN	6,50
4160.457	PRESS BUTTON B6/10IT	17,70	4160.649	CONNEXION SOCKET	4,25
4160.458	MOTOR WITH FAN B6/10IT	151,25	4160.650	CONNEXION PLUG	3,95
4160.459	LEFT PIPE HANDLE B6/10IT	29,00	4160.651	KEEPER WIRE DEVICE	2,65
4160.461	SHORT LOCK CLIP B6/10IT	2,50	4160.653	SAFETY GAS VALVE	19,95
4160.462	LONG LOCK CLIP B6/10IT	2,50	4160.654	INTERRUPTED THERMOCOUPLE	7,85
4160.463	HEAT ELEMENT B6IT	41,50	4160.655	ELECTROVALVE	25,95
4160.464	HEAT ELEMENT B10IT	44,85	4160.658	REGOLATOR 1,5 BAR DE/A/DK SEE 4150.712	23,75
4160.465	HEAT ELEMENT B10IT	49,30	4160.659	REGOLATOR 700 MBAR DE/A/DK/RUS/PL/NL	18,75
4160.466	FRONT GRILL B6/10IT	51,20	4160.660	GAS COCK WITH ELECTRO-VALVE	29,95
4160.600	SCREW M4X10	0,50	4160.661	TUBO GAS 1,5MT ENTRATA3/8SX-INT.4150.708	10,66
4160.601	SCREW M5X12	0,50	4160.664	REGOLATOR 700 MBAR NO/SVE/FIN	18,75
4160.602	SCREW M5X16	0,50	4160.665	REGOLATOR 1,5BAR N/SV/FIN REPLACES 4150.710	23,75
4160.603	SCREW M3X25	0,50	4160.668	REGOLATOR 700 MBAR GRAN BRETAGNA (U.K)	18,75
4160.604	SCREW M3X10	0,50	4160.675	GAS COCK	4,95
4160.605	SCREW 3,9X9,5	0,50	4160.676	GAS BURNER	25,95
4160.606	SCREW 3,5X15 SP. PLASTIC	0,50	4160.680	REGOLATOR 700 MBAR E/F/CH/SLO/CRO/B/CK	18,75
4160.607	SCREW 4,8X9,5	0,50	4160.683	GAS COCK 1,0 1/8 M/M	4,95
4160.608	SCREW 3,9X6,5	0,50	4160.684	GAS COCK 1,2 1/8 M/M	4,95
4160.609	WASHER, FLAT 4X12 UNI6593	0,50	4160.687	BURNER GAS 30 KW REPLACES 4150.676	23,55
4160.610	WASHER, FLAT 4X9 UNI6592	0,50	4160.688	SAFETY VALVE GAS T15 REPLACES 4161.137	22,50
4160.611	WASHER, GASKET ALLUM. 10X16X1	0,50	4160.689	FAN ø172 19°	2,75
4160.612	LOCKWASHER D.4	0,50	4160.690	FAN ø200 19°	3,95
4160.613	LOCKWASHER D.5	0,50	4160.691	FAN ø254MM-19°	4,95
4160.614	WASHER, FLAT M10 UNI6592	0,45	4160.692	COPPER EXTENSION VALVE-NOZZLE	2,55

## Spareparts PRICELIST

Code NR	Description	Final Customer price list '02-'03 Euro ex works	Code NR	Description	Final Customer price list '02-'03 Euro ex works
4160.699	PLASTIC BASE	15,95	4160.917	INOX COVER	52,95
4160.700	GAS INLET NOZZLE	1,95	4160.918	YELLOW COVER RAL 1006	44,95
4160.701	RING NUT M12X0,75	0,55	4160.919	WHITE COVER RAL 9003	46,95
4160.702	GAS BURNER	18,95	4160.920	RED COVER RAL 3000	46,95
4160.708	SUPPORT FOR THERMOSTAT	1,55	4160.921	YELLOW COVER RAL 1006	46,95
4160.712	COMBUSTION CHAMBER	10,95	4160.922	INOX COVER	55,95
4160.713	PLASTIC GRID	6,50	4160.923	INOX COVER	59,95
4160.714	OUTLET GRID	5,25	4160.924	RED COVER RAL 3000	63,75
4160.715	PLASTIC HANDLE	2,25	4160.940	MOTOR SCREW M4 X 16	0,50
4160.717	COMBUSTION CHAMBER	14,95	4160.941	MOTOR WASHER	0,45
4160.719	GAS NOZZLE	2,25	4160.950	BASE	35,95
4160.722	GAS NOZZLE ø1,15	2,25	4160.951	SUPPORT BURNER	7,50
4160.726	PLATE BURNER	5,95	4160.953	INTERRUPTED THERMOCOUPLE	8,50
4160.733	ELECTRIC CABLE	6,25	4160.955	RED COVER RAL 3000	69,95
4160.739	INLET GRID	10,50	4160.957	COMBUSTION CHAMBER	20,25
4160.740	OUTLET GRID	6,50	4160.958	ELECTRIC MOTOR	79,95
4160.742	EXTENSION	1,95	4160.959	FAN	4,95
4160.744	PLATE BURNER	5,95	4160.962	NOZZLE 1/4" - 1/8"	4,95
4160.746	GAS NOZZLE	2,25	4160.963	ELECTROVALVE	29,95
4160.749	BASE 30KW METAL	29,75	4160.964	NIPPLES REDUCER	2,25
4160.751	COMBUSTION CHAMBER	16,95	4160.967	90° DEGREE ELBOW 1/8"	5,50
4160.752	PLATE BURNER	5,95	4160.968	NOZZLE 1/8"	6,95
4160.758	INLET GRID	11,25	4160.969	SCREW. TCC 3,5X6,5	0,50
4160.759	OUTLET GRID	8,50	4160.971	SCREW TCC 3,9X13	0,50
4160.760	PLASTIC BASE	19,95	4160.992	COVER YELLOW RAL 1006 70KW	74,80
4160.764	OUTLET GRID	5,25	4160.993	COVER BLUE RAL 5015 15KW	50,10
4160.766	GAS NOZZLE	2,25	4160.994	SCREW TCC 3,5X38	0,50
4160.767	COPPER EXTENSION VALVE-NOZZLE	5,95	4160.995	SCREW M5X10	0,50
4160.768	SUPPORT GAS NOZZLE	5,25	4161.004	ELECTRONIC PC BOARD FOR GAS	49,95
4160.769	NECK PLATE	3,25	4161.010	SUPPORT ELECTRIC MOTOR	3,25
4160.770	GAS NOZZLE	2,25	4161.012	SUPPORT ELECTRIC MOTOR	6,75
4160.773	SHELL YELLOW RAL 1006 10KW	44,10	4161.013	SUPPORT ELECTRIC MOTOR	5,75
4160.774	SHELL YELLOW RAL 1006 15KW	50,10	4161.015	BASE	35,95
4160.775	SHELL RED RAL 3000 10KW	44,10	4161.018	SUPPORT BURNER	7,50
4160.776	SHELL RED RAL 3000 15KW	50,10	4161.019	COPPER EXTENDIN VALVOLE-NOZZLE	5,95
4160.777	SHELL BLUE RAL 5002 10KW	44,10	4161.020	RED COVER RAL 3000	64,95
4160.778	BASE BLACK RAL 9005 30KW	32,50	4161.027	YELLOW COVER RAL 1006	64,95
4160.779	SHELL WHITE RAL 9003 10KW	44,10	4161.028	YELLOW COVER RAL 1006	69,95
4160.780	SHELL YELLOW RAL 1006 30KW	52,15	4161.030	COPPER COUPLING VALVE-NOZZLE	64,95
4160.781	SHELL BLUE RAL 5015 10KW	44,10	4161.033	POWER CORD H05-VVF 3X0,75	11,25
4160.782	BURNER SUPPORT	5,95	4161.035	REGULATOR 1,5KG/H TF50 G1/4F-1/8M	23,75
4160.783	COVE RED RAL 3000 30KW	52,15	4161.036	BASE 50KWE	49,00
4160.784	INLET GRID	8,50	4161.037	BASE 50KWE COMPLETE	49,00
4160.785	OUTLET GRILL	9,95	4161.039	PLATE BURNER	5,95
4160.876	KIT THERMOSTAT AMBIENT TH5	65,00	4161.040	COPPER TUBE D.6X0,75 L=310	4,50
4160.877	COUPLING SET	66,35	4161.041	BURNER DEFLECTOR 50/70 KWE	5,95
4160.913	WHITE COVER RAL 9003	44,95	4161.042	BASE 70KWE	49,00
4160.914	RED COVER RAL 3000	44,95	4161.045	PIEZOELECTRODE C/FILO DIR.L=54 D.2	6,55
4160.915	BLUE COVER RAL 5015	44,95	4161.046	STREIGHT PIEZO ELECTRODE L=13,5MM D.2	6,55
4160.916	BLUE COVER RAL 5002	44,95	4161.047	BRASS EXTENSION L=8 14 AUTO	0,45

## Spareparts PRICELIST

Code NR	Description	Final Customer price list '02-'03 Euro ex works	Code NR	Description	Final Customer price list '02-'03 Euro ex works
4161.057	SWITCH WITH LIGHT	3,80	4161.200	TRIPLE BLACK CABLE 1X0,75	4,45
4161.058	IGNITION ELECTRICAL FOLDER	3,80	4161.201	DOUBLE BLUE CABLE 1X0,75	4,45
4161.059	IGNITION ELECTRICAL FOLDER	6,95	4161.202	TRIPLE BROWN CABLE 1X0.75	4,45
4161.075	BASE	32,50	4161.204	BASE 50KW DV	49,00
4161.081	COMBUSTION CHAMBER	46,95	4161.205	DUAL VOTLAGE PLASTIC BASE	22,50
4161.083	COMBUSTION CHAMBER	19,95	4161.208	BASE 70KW DV	49,00
4161.086	BASE	35,95	4161.211	ELECTRIC BLUE CABLE 1X0,75	4,45
4161.092	BASE	35,95	4161.266	GAS ELECTROVALVE SERIE6000 115V	28,50
4161.094	COUPLING SLEEVE	1,55	4161.267	GAS TAP 0,8 ELECTICAL 115V	13,15
4161.095	NOZZLE 1/4"	6,95	4161.268	GAS ELECTROVALVE SERIE7000 115V	28,50
4161.096	BRASS TUBE D.6X1 L=152	4,75	4161.271	COVER WHITE RAL 9003 15KW	50,10
4161.100	ELECTRONIC FLAME SENSOR	4,50	4161.272	COVER, ASSEMBLY STAINLESS AISI430BA 50KW	77,00
4161.101	LOCKWASHER	0,50	4161.273	COVER, ASSEMBLY STAINLESS AISI430BA 70KW	83,00
4161.103	NOZZLE GAS DIAM. 0,77	2,25	4161.281	BASE BLACK 30 KW ELETT.	22,50
4161.121	COMBUSTION CHAMBER	16,50	4161.282	BASE PLASTIC BASE 30 KW DUAL VOLTAGE	25,45
4161.122	BASE 14KWA	22,50	4161.290	COVER ASSEMBLED GREY RAL 7001 10KW	47,95
4161.124	DEFLECTOR DISC 14KWA	4,45	4161.291	COVER PAINTED GREY RAL 7001 10KW	44,10
4161.125	SCREW M3X16	0,50	4161.294	MOTOR 29W 115/60HZ IP44	73,50
4161.126	BURNER 14KWA	24,75	4161.302	SCREW M10X25	0,50
4161.128	DOUBLE WIRE BROWN1X0.75 220/300 14KWA	4,45	4161.303	HEX NUT M10	0,45
4161.129	DOUBLE WIRE BLUE 1X0.75 370/370 14KWA	4,45	4161.306	NOZZLE GAS DIAM. 0,65	2,25
4161.130	THERMOSTAT CABLE 14KWA	4,50	4161.315	SCREW M5X16	0,50
4161.131	WIRE, SAFTRY THERMOSTAT 14KWA	4,45	4161.316	WING NUT M10	0,45
4161.132	DEFLECTOR DISC, BURNER 14 KWA	14,95	4161.328	COVER GREY RAL 7001 70KW	74,80
4161.137	SAFETY VALVE.GAS INT.4160.653/4160.688	23,25	4161.329	COVER GREY RAL 7001 50KW	71,55
4161.138	THERMOCOUPLE L=380MM REPLACES 4150.674	6,40	4161.330	COVER GREY RAL 7001 15KW	50,10
4161.139	END FITTING TC M8X1 F/M REPLACES 4150.656	7,40	4161.331	MOTOR 29W 230/50-60HZ IP44 ELECTRIC	43,00
4161.140	ELBOW 90° M.M. 1/8"	6,10	4161.333	CABLE 7 PIN,ELEC VERSION 2	4,50
4161.141	STREIGHT FITTING 1/8 M.F	3,45	4161.334	CABLE 3 PIN,ELEC VERSION 2	4,50
4161.142	FITTING 1/8 M.F.	3,45	4161.335	THERMOSTAT CABLE ELEC.	5,25
4161.143	COPPER TUBE D.4X0.75 L=70	3,75	4161.336	COMBUSTION CHAMBER 10 KW	16,50
4161.148	SCREW M4X30	0,50	4161.351	MALE-PLUG 4-PIN+1 CONNECTED (1-2)	11,30
4161.150	SCREW 3,5X22	0,50	4161.372	COMBUSTION CHAMBER 15 KW	18,90
4161.152	AMBIENT THERMOSTAT COMPLETE	52,50	4161.373	COMBUSTION CHAMBER 30 KW	22,95
4161.153	COVER ASSYMBLY BLUE RAL 5015 14AKW	56,10	4161.377	REGULATOR 30M	17,55
4161.154	COVER BLUE RAL 5015 14AKW	50,10	4161.388	NOZZLE GAS DIAM. 1.50 X 45G PATIO HEATER	2,25
4161.158	COPPER TUBE D.4X0.75 L=230	4,10	4161.389	NOZZLE GAS DIAM. 1.60 X 45G PATIO HEATER	2,25
4161.159	MOTOR 29W 230/50-60HZ IP44 SPECIALE	64,15	4161.390	NOZZLE GAS DIAM. 1.80 X 45G PATIO HEATER	2,25
4161.164	MOTOR 29W 115/230/50HZ IP44	64,00	4161.402	ELBOW 90° M.F. M10	3,25
4161.165	MOTOR 80W 2 POLI 115-230/50HZ IP44	96,00	4161.413	REGULATOR 30MBAR ITALIA S/RIARMO	15,55
4161.166	MOTOR 103W 2POLI P.20 115-230/50HZ IP44	96,00	4161.414	REGULATOR 50MBAR FEST DE/A/PL S/RIARMO	15,55
4161.167	MOTOR 188W 2POLI P.20 115-230/50HZ IP44	154,80	4161.415	REGULATOR 50MBAR POL UK S/RIARMO	15,55
4161.168	SCREW 3,5X9,5	0,50	4161.416	REGULATOR 37MBAR PROPANO FR. S/RIARMO	15,55
4161.178	COVER PAINTED GREY RAL 7001 30KW	52,15	4161.417	REGULATOR 30MBAR POL USA S/RIARMO	15,55
4161.179	COVER ASSEMBLY GREY	58,00	4161.430	ELECTRODE METAL BASE	11,25
4161.191	NIPPLE 1/4"X1/4"	3,45	4165.000	TOP COVER	23,75
4161.196	DOUBLE BLUE CABLE 1X0,75	4,45	4165.001	CONTROL BASE	20,00
4161.197	TRIPLE BROWN CABLE 1X0.75	4,45	4165.002	DEFLECTOR	15,00
4161.198	DOUBLE BLACK CABLE 1X0,75	4,45	4165.003	SIDE PANELS	23,75
4161.199	DOUBLE BROWN CABLE 1X0,75	4,45	4165.004	FRONT PANEL	15,50

## Spareparts PRICELIST

Code NR	Description	Final Customer price list '02-'03 Euro ex works	Code NR	Description	Final Customer price list '02-'03 Euro ex works
4165.005	GRILL	15,25	4165.057	ELEMENT	28,75
4165.006	BOTTOM PANEL	24,50	4165.058	FAN	24,50
4165.007	KNOB	3,00	4165.059	ELECTRIC MOTOR	71,79
4165.008	RESET LEVER	4,25	4165.060	HANDLE	21,25
4165.009	TEMP LIMITER SUPPORT	4,25	4165.061	SEPARATOR	12,50
4165.010	TEMP LIMITER	16,75	4165.062	TERMINAL BOARD	7,75
4165.011	THERMOSTAT	34,95	4500.300	104355 FILTER PAD 800 + CH	22,46
4165.012	SWITCH	14,50	4500.301	351803 SPREADER CAP 500	0,27
4165.013	ELEMENT	15,25	4500.302	320700 DRAIN PLUG	0,41
4165.014	FAN	18,50	4500.305	804354 CAPACITOR 500-3000	6,49
4165.015	ELECTRIC MOTOR	52,50			
4165.016	POWER CORD	14,25			
4165.017	CABLE RELIEF	5,15			
4165.018	HANDLE	2,50			
4165.019	SUPPORT	3,25			
4165.020	OVERHEAT SENSOR	15,00			
4165.021	FRONT PANEL	15,75			
4165.022	TEMP LIMITER	16,75			
4165.023	ELEMENT	15,75			
4165.024	POWER CORD	14,25			
4165.025	TOP COVER	24,50			
4165.026	CONTROL BASE	22,50			
4165.028	FRONT PANEL	16,25			
4165.029	THERMOSTAT	42,50			
4165.030	SWITCH	22,50			
4165.031	ELEMENT	16,95			
4165.032	ELECTRIC MOTOR	57,25			
4165.033	HANDLE	17,50			
4165.035	RELAY	17,50			
4165.036	RUBBER SUPPORT	0,50			
4165.037	SEPARATOR	9,50			
4165.038	TOP COVER	24,75			
4165.039	CONTROL BASE	23,50			
4165.040	DEFLECTOR	17,50			
4165.041	SIDE PANELS	24,50			
4165.042	FRONT PANEL	16,75			
4165.043	GRILL	18,25			
4165.044	BOTTOM PANEL	24,50			
4165.045	ELEMENT	17,50			
4165.046	FAN	23,25			
4165.047	ELECTRIC MOTOR	69,45			
4165.048	HANDLE	19,50			
4165.049	SEPARATOR	11,25			
4165.050	TOP COVER	25,00			
4165.051	CONTROL BASE	24,75			
4165.052	DEFLECTOR	18,50			
4165.053	SIDE PANELS	25,25			
4165.054	FRONT PANEL	17,50			
4165.055	GRILL	21,95			
4165.056	BOTTOM PANEL	24,50			