

THE MICA LAMP COMPANY

AUTHENTIC CRAFTSMEN DESIGNS

CIRCA 1900



MADE IN U.S.A.

#002 JAR LAMP
H=17" Dia=17"
(3 sockets x 60 watts ea.)
Shown with optional Agatha Shade

Agatha van Erp, 1914
San Francisco, CA

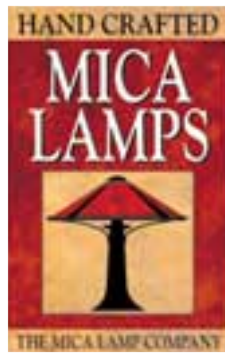


American Coppersmith

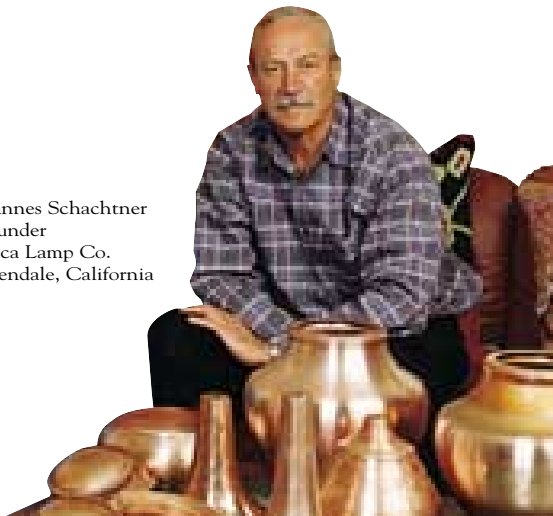
Turn-of-the-century, circa 1900, American Lighting design and craftsmanship is available today from the Mica Lamp Company. We follow the same formula as the original craftsman. Our parts are made of solid copper, assembled with hand driven copper rivets and finished with a rich natural patina. The bottom plate of each lamp is then die struck with the Mica Lamp shop mark.

Our Mica shade panels are the same natural materials used by the Arts & Crafts master lampmakers. Mineral mica flakes, combined with organic shellac, make each mica shade unique with its variations of mineral deposit patterns and color tones.

#015 LANTERA TABLE LAMP
H=18" Dia=14"
(2 sockets x 60 watts ea.)



Hannes Schachtner
Founder
Mica Lamp Co.
Glendale, California





#009 LODGE LAMP H=22" Dia=20" (3 sockets x 60 watts)
Large lamp inspired by The Lillian Palmer Shop craftsman August Tiesselinck, c.1915, California.



#001 MILKCAN H=26" Dia=24" (4 sockets x 60 watts ea.)
Classic example of a Dirk Van Erp lamp style, c.1915, San Francisco, CA.

Dirk Van Erp was the master coppersmith of the American Arts and Crafts movement. In 1910, at his San Francisco workshop, he discovered the warmth of copper, combined with the magical translucence of crystallized mica mineral.

Van Erp originals are highly prized by collectors.
Own a part of a "Made-In-America" tradition.



#014 LARGE TRUMPET
 H=24" Dia=20"
 (3 sockets x 60 watts ea.)

Arts and Crafts austerity attributed to
 D'Arcy Gaw/Dirk Van Erp, c.1910,
 San Francisco, CA.



Solid Brass
 Acorn Chain Pulls

#005 TRUMPET (left)
 H=17" Dia=17"
 (3 sockets x 60 watts ea.)

#008 SMALL TRUMPET (right)
 H=14" Dia=14"
 (1 socket x 60 watts)





#004 MUSHROOM
H=17" Dia=17" (3 sockets x 60 watts ea.)

#012 BUFFET LAMPS
H=14" Dia=6" (1 socket x 60 watts)

Also available as
#012B BATTERY CANDLE
Use with battery and bulb (not provided).



#010 SMALL TRADITIONAL
H=13" Dia=11" (1 socket x 60 watts)



#007 BEANPOT
H=13" Dia=14" (1 socket x 60 watts)



#003 TRADITIONAL
H=17" Dia=17" (3 sockets x 60 watts ea.)



#054 PASADENA FLOOR LAMP
 H=60" Dia=20" sq.
 (2 sockets X 60 watts ea.)
 Made of solid white oak.



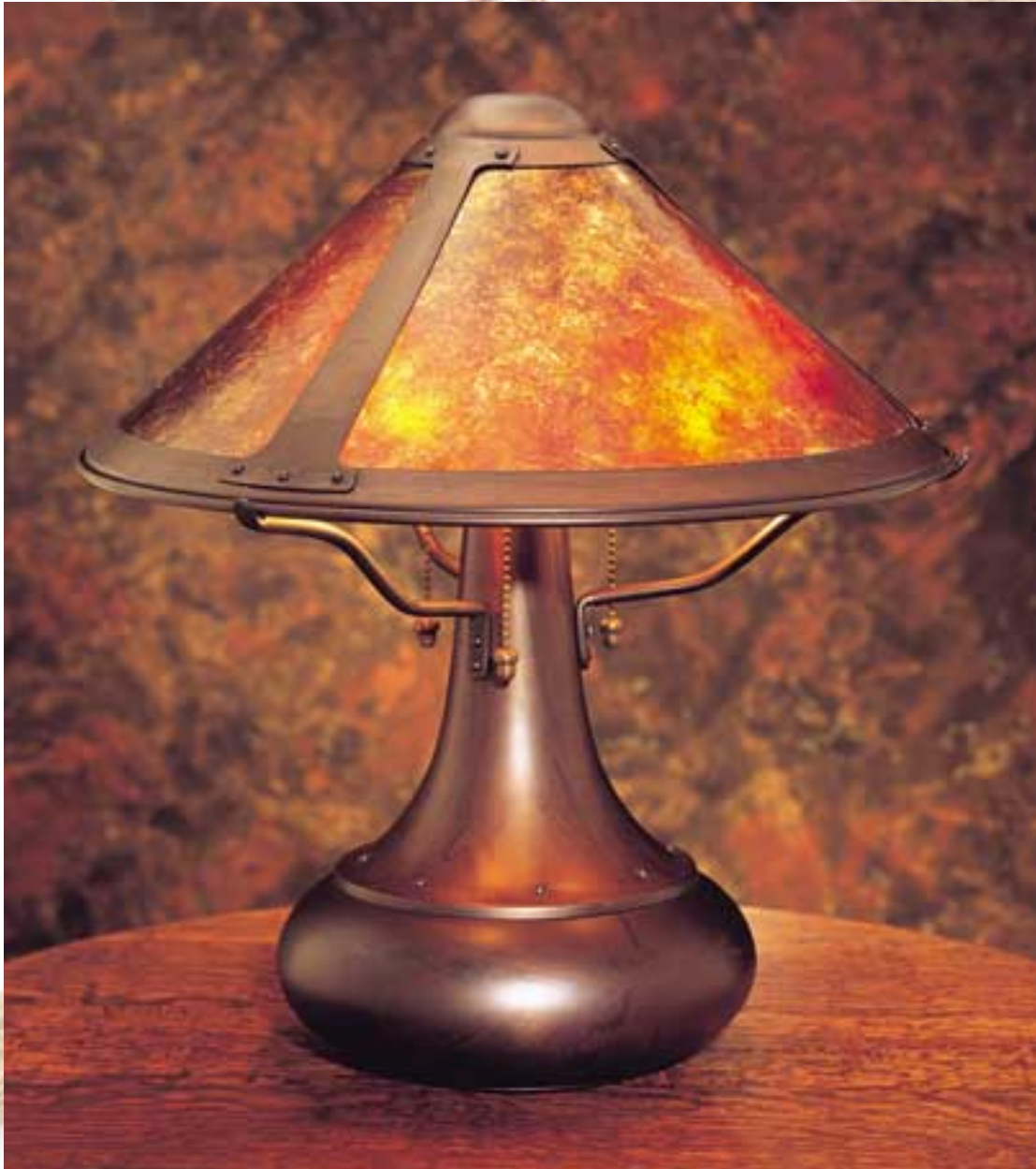
#060 MISSION FLOOR LAMP (left)
 H=59" Dia=20" (3 sockets x 60 watts ea.)

#070 TORCHIERE FLOOR LAMP (right)
 H=71" Dia=17" (1 socket x 150 watts)





#013 LARGE ONION H=24" Dia=20" (3 sockets x 60 watts ea.)
This rivet base copper lamp is an original style from the Dirk Van Erp studio, c.1910-1930, San Francisco, CA.



#006 ONION H=18" Dia=17" (3 sockets x 60 watts ea.)



#051-Oak BUNGALOW FLOOR LAMP
H=59" Dia=24" (4 sockets x 60 watts ea.)
Made of solid white oak.
Also available in solid cherry.



#049 LARGE BUNGALOW TABLE LAMP
H=25" Dia=20" (3 sockets x 60 watts ea.)
Made of solid white oak.



#050-Oak SMALL BUNGALOW TABLE LAMP
H=20" Dia=17" (3 sockets x 60 watts ea.)
Made of solid white oak.



#039 ARCHITECTS LAMP (oak) H=25" W=17" L=24" (2 sockets x 60 watts ea.)
 Frank L. Wright, 1914.
 Also available in solid cherry wood.



#051-C
 BUNGALOW
 FLOOR LAMP
 (cherry)



#040 LIBRARY LAMP (oak) H=20" W=17" L=24" (2 sockets x 60 watts ea.)
 Style by Charles Limbert, c.1910 Grand Rapids, Michigan.
 Authentic copper filigree overlay.



#117 PASADENA PENDANT 14"
L=35" Shade=14"sq. (1 socket x 60 watts)

Also Available #118 PASADENA PENDANT 20"
L=35" Shade=20"sq. (2 sockets x 60 watts ea.)



#112 PASADENA CEILING SHADE
L=12" Shade=14"sq.
(2 sockets x 60 watts ea.)

Pasadena Collection

Made of solid white oak & brass.



#124 PASADENA BRIDGE SCNCE
H=11" Shade=8"sq. Ext=11"
(1 socket x 60 watts)



#041 PASADENA TABLE LAMP
H=23" Shade=14"sq. (2 sockets x 60 watts ea.)



#109 PASADENA CHANDELIER
L=23" Dia=25" (4 sockets x 60 watts ea.)



#109B PASADENA DOWNLIGHT CHANDELIER
L=26.5" Dia=25" (4 sockets x 60 watts ea.)



#044 PASADENA SMALL
DOUBLE BRIDGE LAMP
H=22" Shades=8"sq. (2 sockets x 60 watts ea.)



#043 PASADENA SMALL BRIDGE LAMP
H=22" Shade=8"sq.
(1 sockets x 60 watts)



#045 PASADENA PINETREE LAMP
H=21" Dia=17" (3 sockets x 60 watts ea.)

Inlaid glass in Craftsman style of Charles Rennie Mackintosh, c.1900, Scotland



#G3 LARGE GLASGOW LEAF TABLE LAMP
H=20" Dia=17" (2 sockets x 60 watts ea.)

Also Available **#G8 SMALL GLASGOW LEAF**
H=16" Dia=14" (2 sockets x 60 watts ea.)



#GC9 SMALL GLASGOW 8 SQUARE CEILING
H=10" Dia=14" (2 sockets x 60 watts ea.)

Also Available **LG. SIZE ALL GLASS PATTERNS**
H=13" Dia=17" (2 sockets x 60 watts ea.)



#GF10 SMALL GLASGOW 4 SQUARE FLUSH CEILING
H=6" Dia=16" (2 sockets x 60 watts ea.)

Also Available
8 SQUARE & LEAF GLASS PATTERNS



#GT4 GLASGOW 8 SQUARE TORCHIERE (right)
H=68" Dia=17" (1 socket x 150 watts)



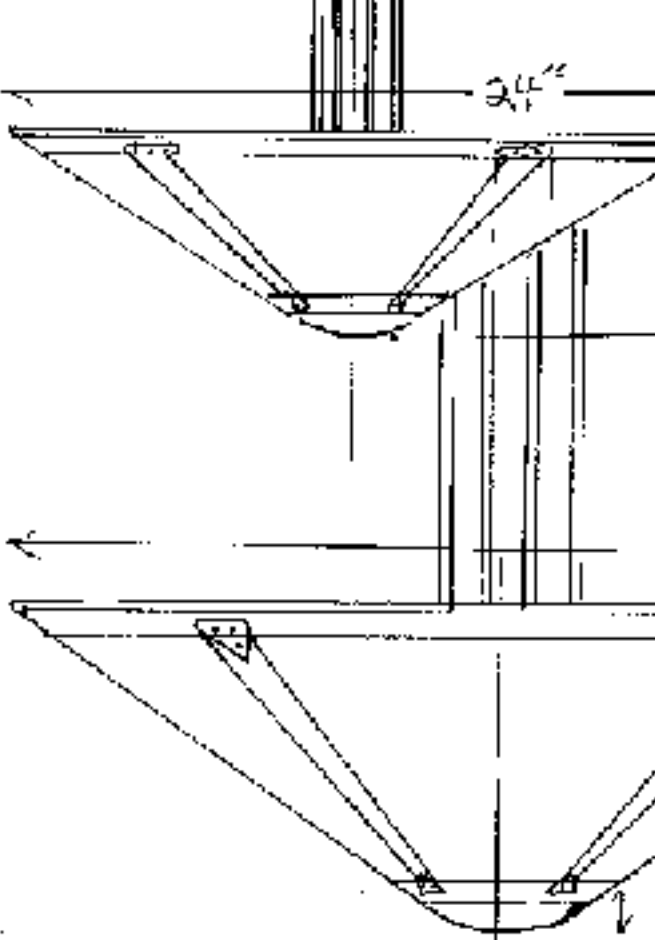
#G4 LARGE GLASGOW 8 SQUARE TABLE LAMP
H=20" Dia=17" (2 sockets x 60 watts ea.)

Also Available **#G9 SMALL 8 SQUARE**
H=16" Dia=14" (2 sockets x 60 watts ea.)

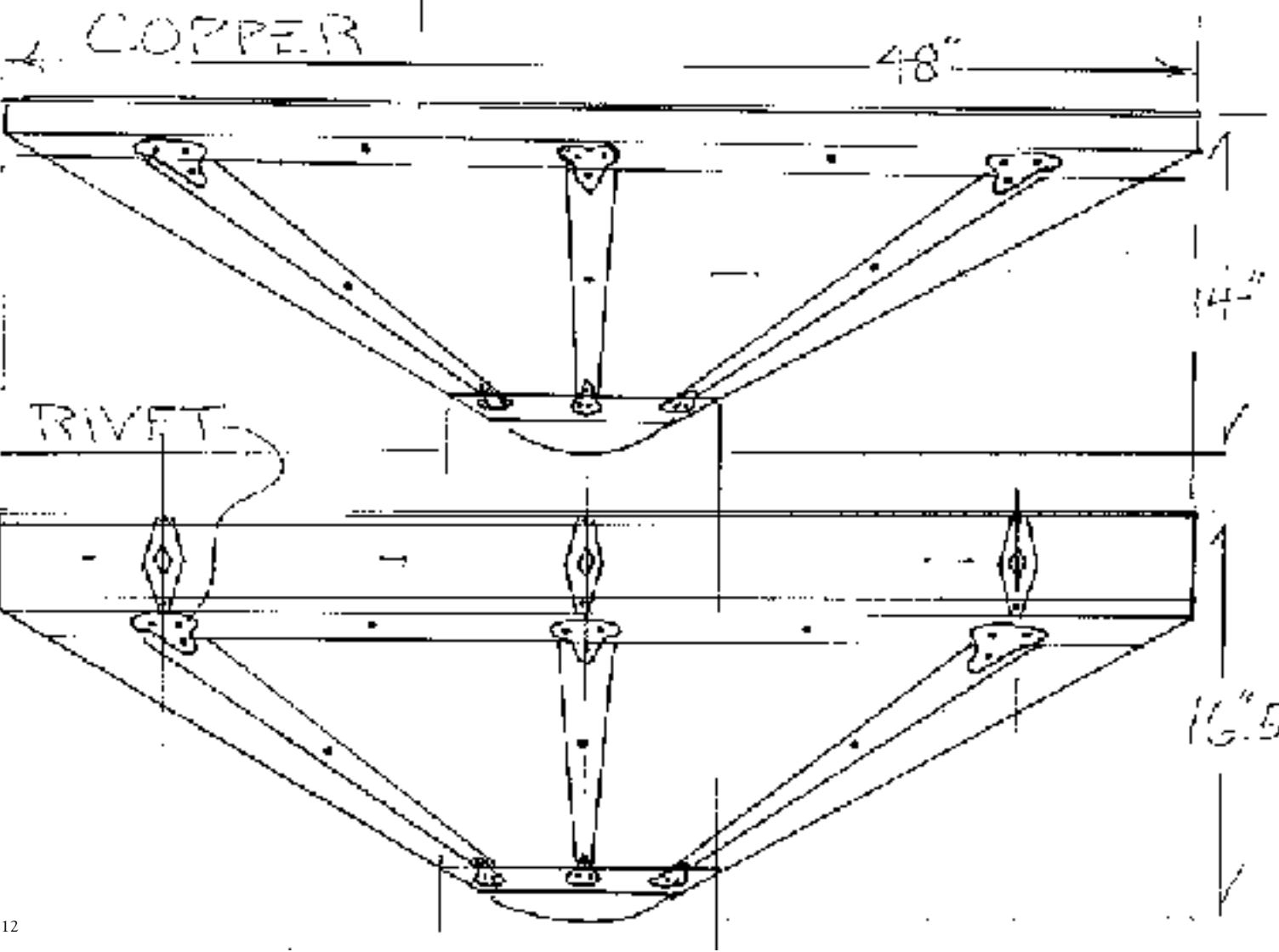


#G5 LG. GLASGOW 4 SQUARE TABLE LAMP
H=20" Dia=17" (2 sockets x 60 watts ea.)

Also Available: **#G10 SM. GLASGOW 4 SQUARE**
H=16" Dia=14" (2 sockets x 60 watts ea.)



MODERN CHANDELIER
 #106 Dia=24" L=24" (4 x 60w)
 #113 Dia=34" L=24" (4 x 100w)
 #113S Dia=48" L=38" (8 x 100w)



PRAIRIE CHANDELIER

- #108 Dia=24" L=28" (4 x 60w)
- #115 Dia=34" L=24" (4 x 100w)
- #115S Dia=48" L=38" (8 x 100w)

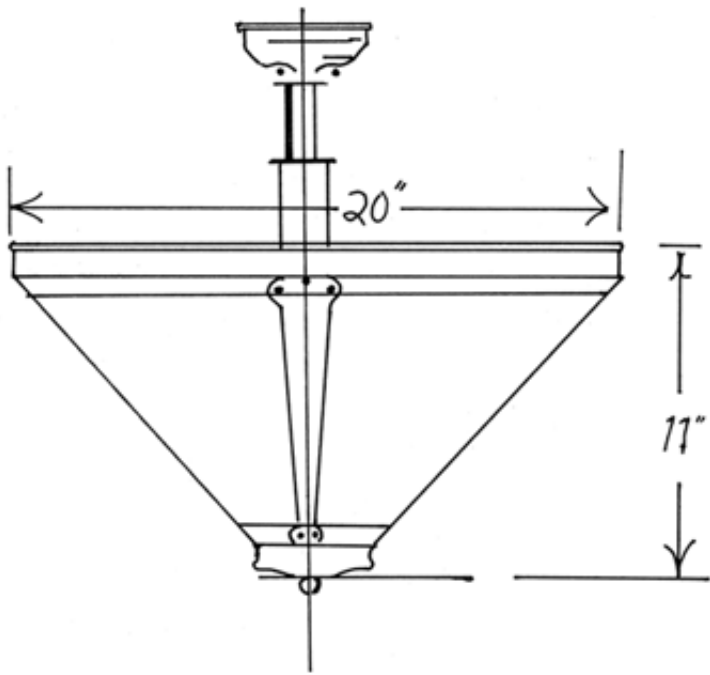


#116 GRAND MISSION
L=44" Dia=34"

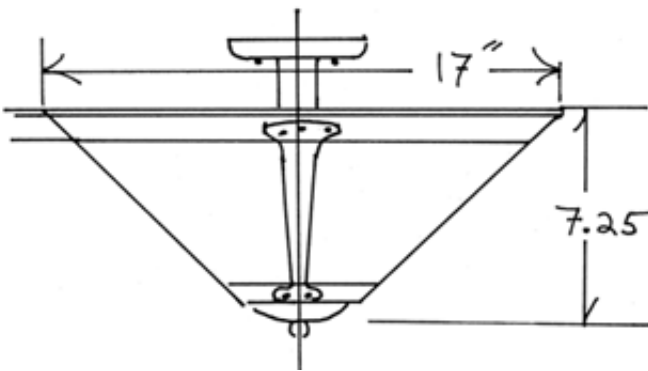
MESA CHANDELIER

- #107 Dia=24" L=28" (4 x 60w)
- #114 Dia=34" L=52" (4 x 100w)
- #114S Dia=48" L=64" (8 x 100w)

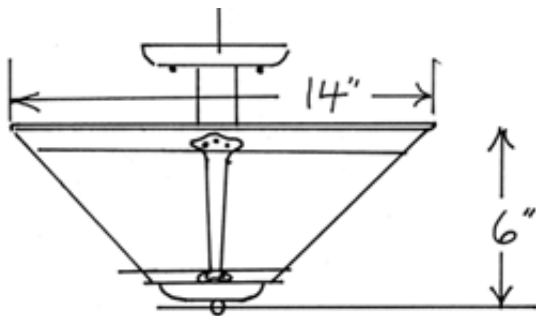
- CUSTOM LENGTHS AVAILABLE -



#104 MISSION CHANDELIER
L=35" Dia=20" (3 sockets x 60 watts ea.)



#101-C UPLIGHT CHANDELIER
L=30" Dia=20" (3 sockets x 60 watts)



#101-T UPLIGHT CHANDELIER
L=24" Dia=20" (3 sockets x 60 watts ea.)



#110 CEILING SHADE 17"
L=13" Dia=17" (2 sockets x 60 watts ea.)



#101-H HOOK UPLIGHT CHANDELIER
L=23" Dia=20" (3 sockets x 60 watts)

#111 CEILING SHADE 14"
L=11" Dia=14" (2 sockets x 60 watts ea.)

- CUSTOM LENGTHS AVAILABLE -



#132 HOOP CHANDELIER
L=34" Hoop Dia=18" (4 sockets x 60 watts)



#131 LANTERN CHANDELIER
L=38" Dia=20" (3 sockets x 60 watts)
(3 Lanterns x 60 watts)



#155 LANTERA DOUBLE GRAND CHANDELIER
L=34" Dia=27" (7 sockets x 60 watts ea.)

Also available: **#154 LANTERA SINGLE TIER CHANDELIER**
L=29" Dia=27" (4 sockets x 60 watts ea.)



#151 LANTERA 14" CHANDELIER
L=21" Dia=14" (3 sockets x 60 watts ea.)



#135 MEDALLION CHANDELIER
L=24" Ceiling Medallion Dia=20"
(5 sockets x 60 watts)



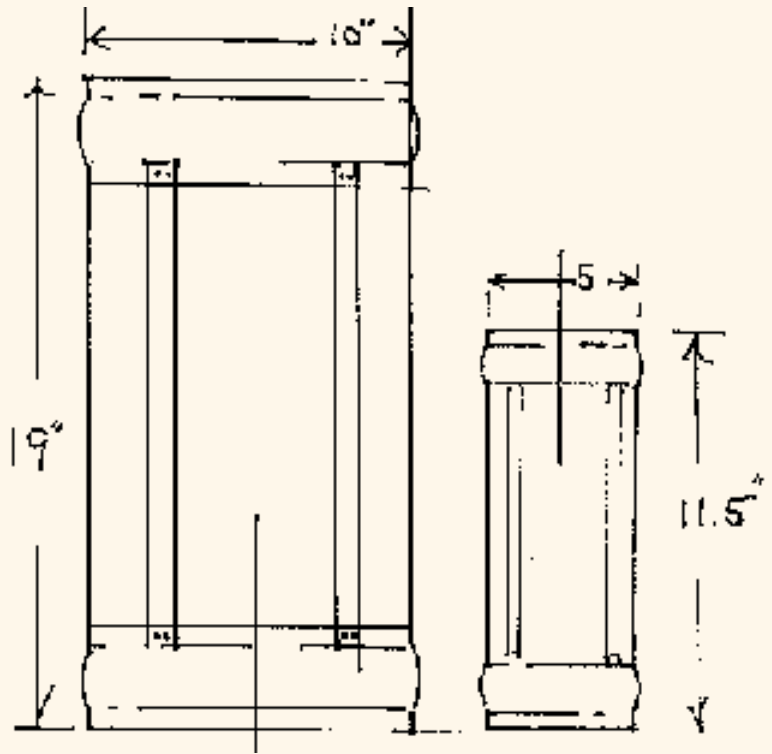
#150 LANTERA
14" CEILING MOUNT
L=7" Dia=16.5" Shade Dia=14"
(2 sockets x 60 watts ea.)

- ALL LANTERA MODELS AVAILABLE WITHOUT COPPER FILIGREE -



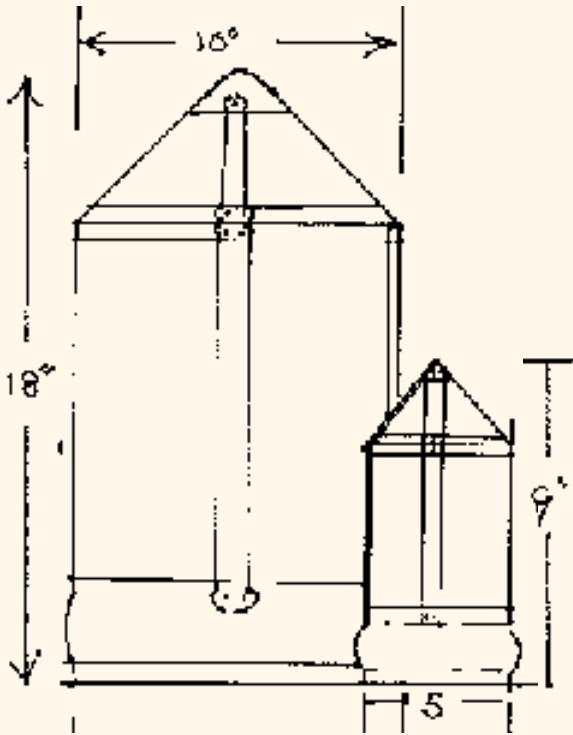
#105 MISSION PENDANT L=39" Dia=20" (3 sockets x 60 watts ea.)
#102 DOWNLIGHT PENDANT L=35" Dia=20" (3 sockets x 60 watts ea.)
#103 DOWNLIGHT PENDANT L=35" Dia=17" (1 socket x 60 watts)

– CUSTOM LENGTHS AVAILABLE –



#129G GRAND OPEN TOP LANTERN
H=19" Dia=10" Ext=11.5" (2 sockets x 100 watts ea.)

#129 OPEN TOP LANTERN
H=11.5" Dia=5" Ext=6" (2 sockets x 60 watts ea.)



#130G GRAND LANTERN PENDANT
OL=26.5" Dia=10" Ext=12.5"
(1 socket x 100 watts)

#130 and #130G are Damp Labeled



#130F FLUSH MOUNT LANTERN
H=9" Dia=5" Ext=6" (1 socket x 60 watts)
Distance from wall=6"

#130GF GRAND LANTERN FLUSH MOUNT
H=18" Dia=10" Ext=10.5" (2 sockets x 60 watts)



#130 LANTERN
OL=15" Dia=5" Ext=7.5" (1 socket x 60 watts)
Distance from wall=7.5"

All above are UL Damp Labeled.



#WH15 MED. SQ. CEILING MOUNT
(Brass)
SQ=10" L=6" (2 sockets x 60 watts ea.)



#122 WALL LAMP (1 LIGHT)
H=10.5" Dia=6" Ext=8.5" (1 socket x 60 watts)



#123 WALL LAMP (2 LIGHTS)
H=10.5" W=14" Ext=8" (2 sockets x 60 watts ea.)



#WH02B SMALL OPEN TOP (Brass)
H=10" W=6" Ext=4.5"
(2 sockets x 60 watts ea.)



#120 (17") SCONCE W=17" Depth=8.5" H=7" (2 sockets x 60 watts ea.)
#121 (14") SCONCE W=14" Depth=7" H=6" (2 sockets x 60 watts ea.)



#124 PASADENA BRIDGE SCONCE
H=11" Shade=8"sq. Ext=11" (1 socket x 60 watts)



#119 PASADENA SCONCE
W=14" Depth=6" H=8.5" (2 sockets x 60 watts ea.)



#125L PRAIRIE LAKE SCONCE – Light Oak
 #125D PRAIRIE LAKE SCONCE – Dark Oak
 Frank L. Wright, 1914
 H=27" W=6.5" Ext=10" (1 socket x 60 watts)



#MT01 LARGE MODERN TORCH (Brass)
 H=25" W=9" Ext=7" (2 sockets x 60 watts ea.)

#MT02 SMALL MODERN TORCH (Brass)
 H=18.5" W=6.5" Ext=5" (2 sockets x 60 watts ea.)



#156 LANTERA SCONCE
 H=11" W=7.75" Ext=4" (1 socket x 60 watts)



#119C CARMEL SCONCE
 H=15" W=11.5" Ext=3.5"
 (1 socket x 60 watts) Brass Frame

Billiard and Island Lighting



Authentic Copper
Filigree Overlay

#136G GRAND BILLIARD
OL=40" Shade H=14" L=52" W=24"
(8 sockets x 60 watts ea.)

#136BG BABY GRAND
OL=37" Shade H=13" L=40" W=18"
(4 sockets x 60 watts ea.)



#136-3S THREE SHADE BILLIARD
W=56" OL=40" Shade Dia=17" (3 sockets x 60 watts ea.)



#136 LARGE BILLIARD
W=52" OL=36" Shade Dia=20" (6 sockets x 60 watts ea.)

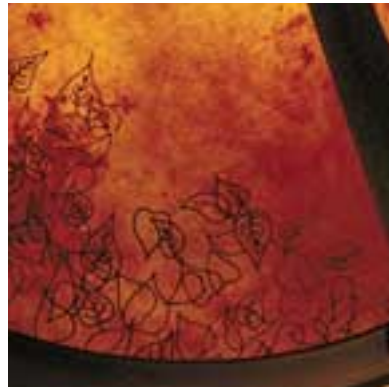
Also Available
#136SM SMALL BILLIARD (shown in background below)
W=42" OL=36" Shade Dia=17" (2 sockets x 60 watts ea.)



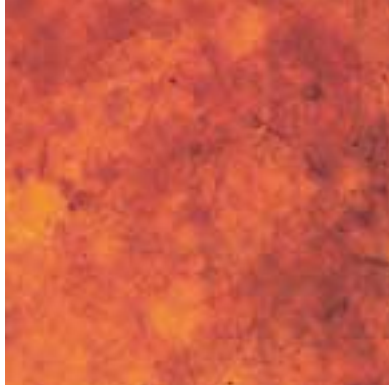
#136MI MISSION BILLIARD
W=52" OL=38" Shade Dia=20" (6 sockets x 60 watts ea.)



-01 Dark Copper Finish



Agatha Shade
Authentic silhouette pattern
available on 17" Dia. shades



-O Orange Mica



-A Almond-Natural Mica



White Oak Wood



Cherry Wood



The bottom of each copper lamp is die struck with the Mica Lamp shop mark.



All Mica shades are hand built and bear a copper tag with an individual serial number.



All lamps and fixtures are UL approved.



#119C CARMEL SCONCE
H=15" W=11.5" Ext=3.5"
(1 socket x 60 watts)
Brass Frame



MICA LAMP CO.
517 State Street
Glendale • California 91203
Phone: (818) 241-7227
Fax: (818) 241-5439
www.micalamps.com

