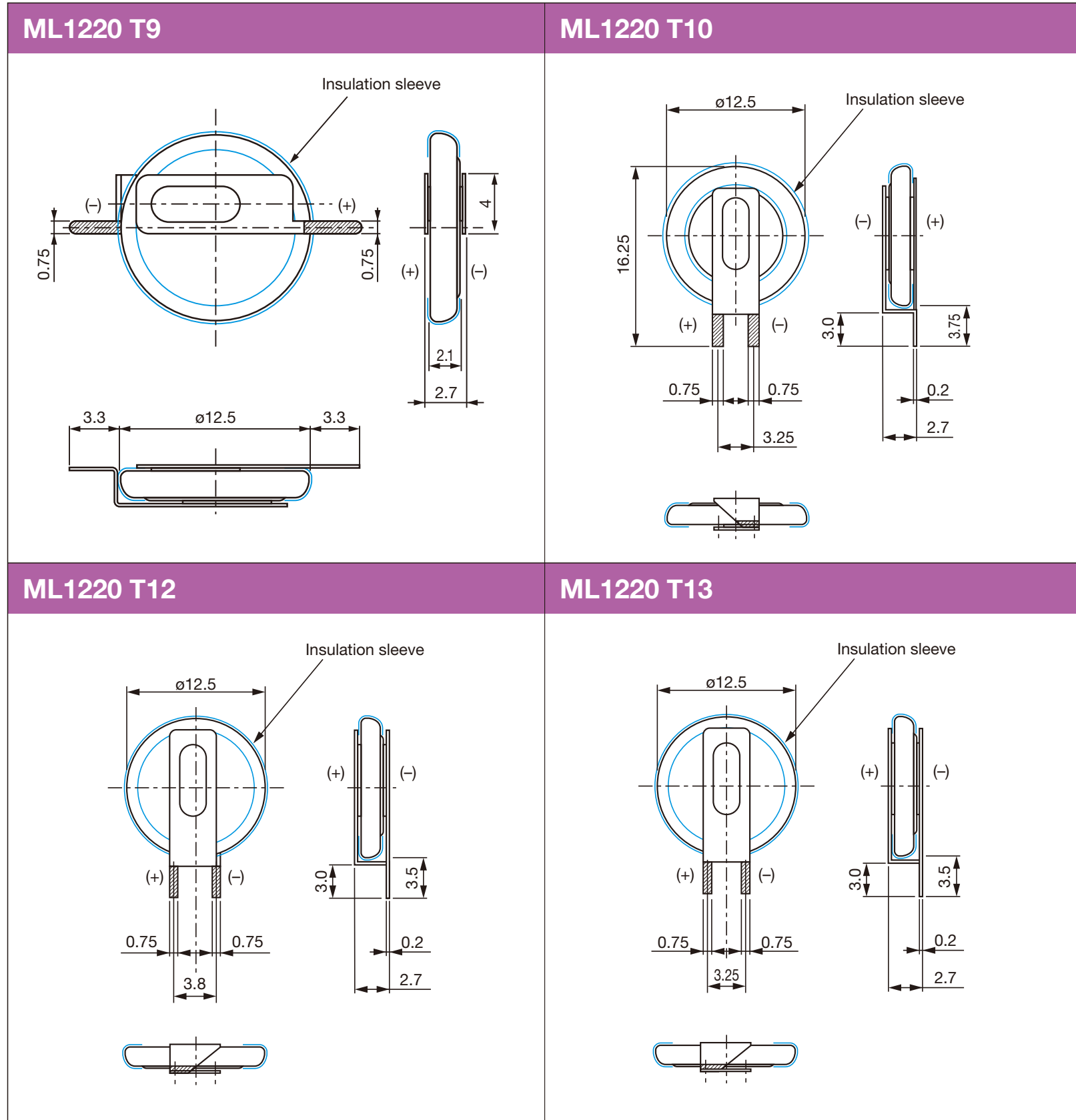
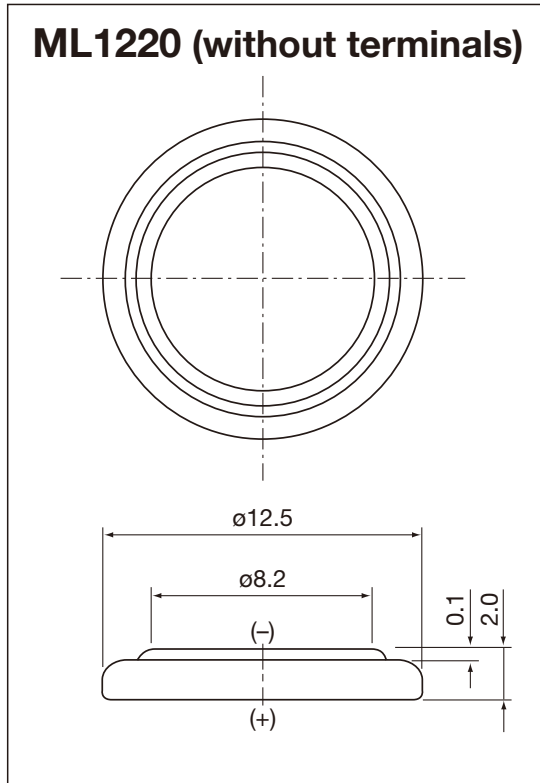


# ML1220 (18mAh)

## Diagrams of Batteries with Terminals

### External Dimensions (unit: mm)

● Horizontal & Surface mounting Type



Tin plating

[www.s-manuals.com](http://www.s-manuals.com)