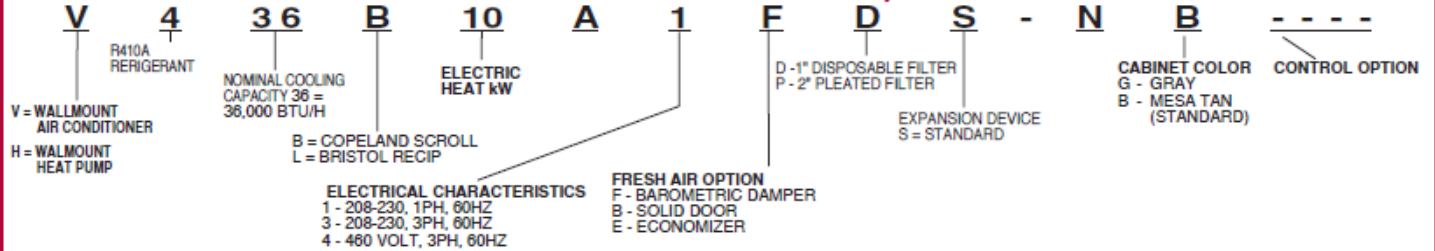


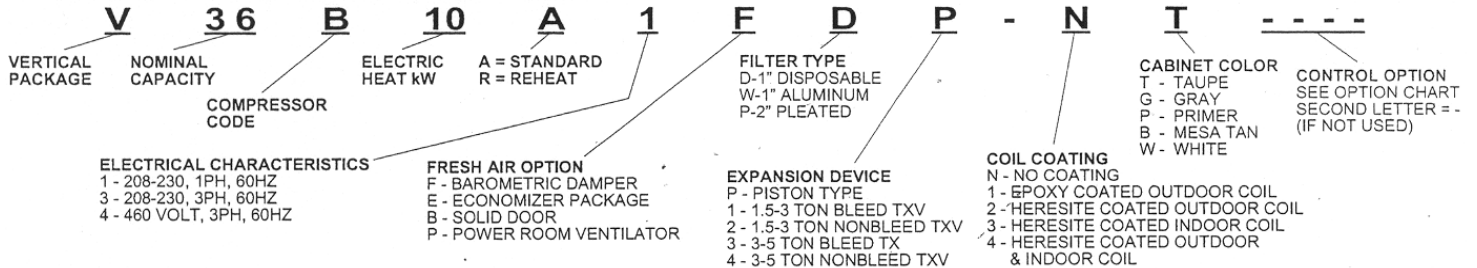
**V and H Series A/C and H/P ~ R-410A**

**MODEL KEY: Wallmount Air Conditioners and Heat Pumps R410A**



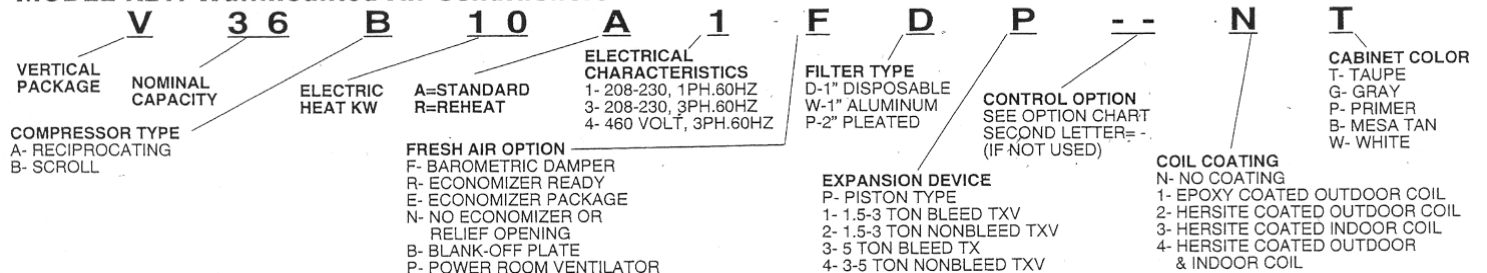
**10.0 SEER - V Series - High Efficiency Wall-Mount Air Conditioners – R-22**

**MODEL KEY: Wallmount Air Conditioners**

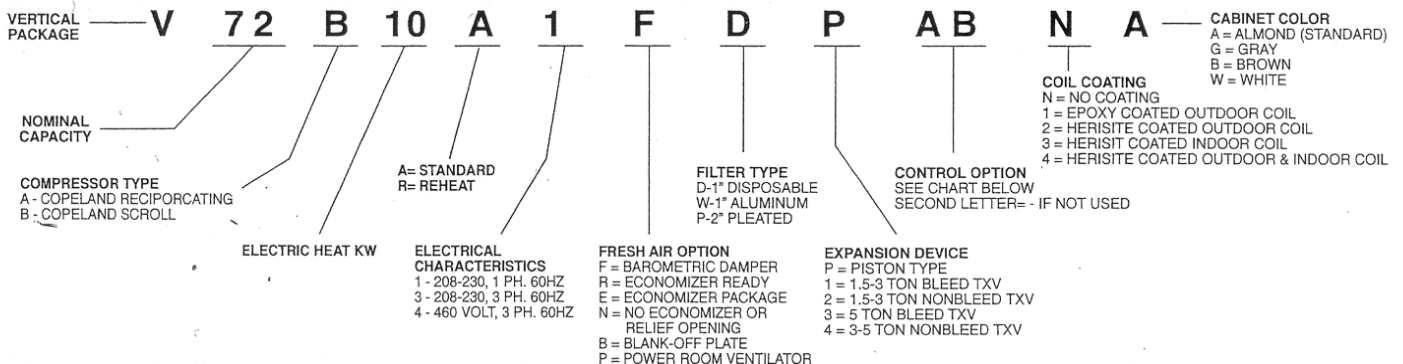


**10.0 SEER - V Series - High Efficiency Wall-Mount Air Conditioners – R-22**

**MODEL KEY: Wallmounted Air Conditioners**

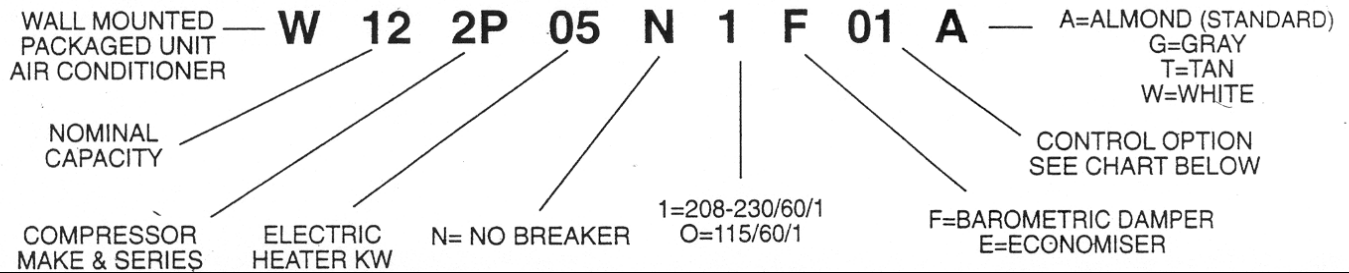


**9.4 SEER – V72 Series - High Efficiency Wall-Mount Air Conditioners – R-22**

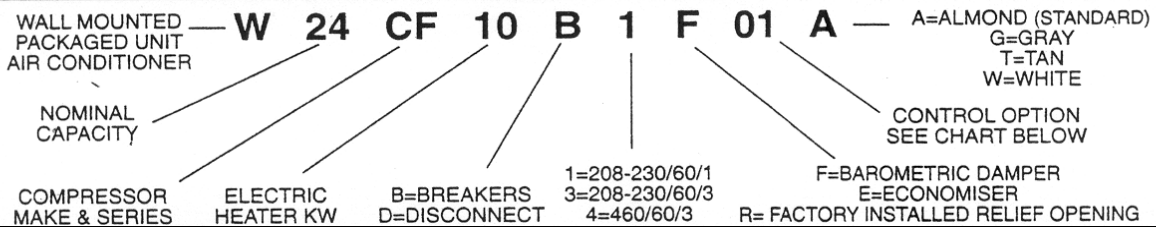


# Eubanks

## 10.0 SEER – W12 Series - High Efficiency Wall-Mount Air Conditioners – R-22

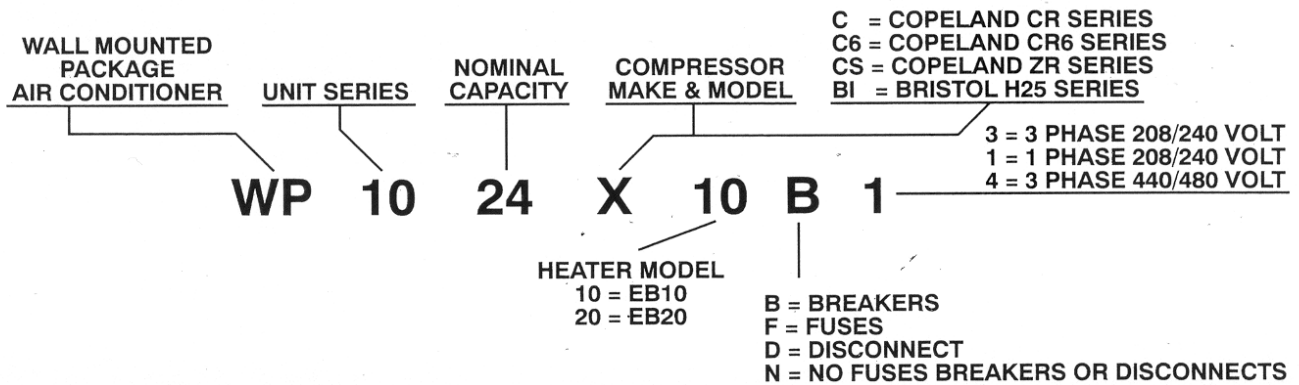


## 10.0 SEER – W Series High Efficiency Wall-Mount Air Conditioners – R-22

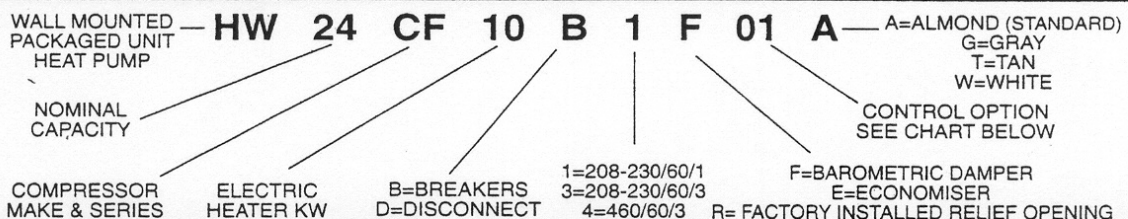


## 10.0 SEER – WP Series - High Efficiency Wall-Mount Air Conditioners – R-22

### MODEL NUMBER IDENTIFICATION

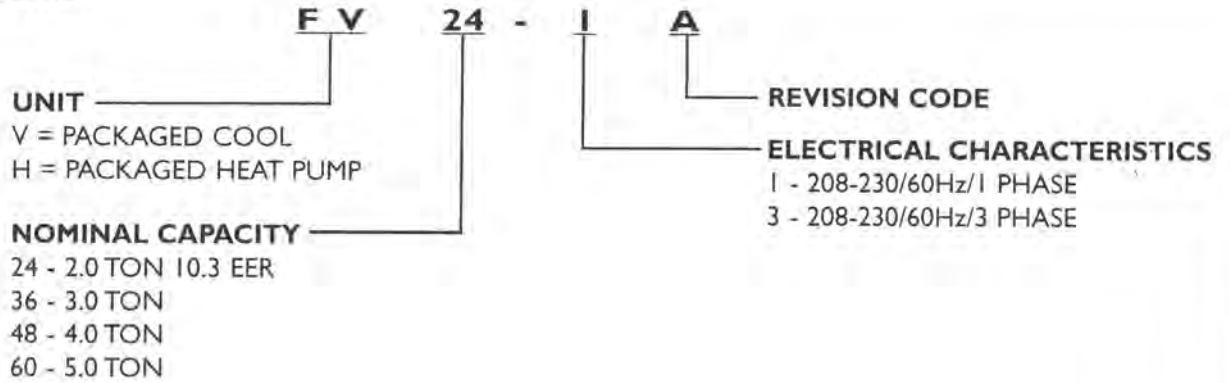


## 10.0 SEER – HW Series - High Efficiency Wall-Mount Heat Pumps – R-22



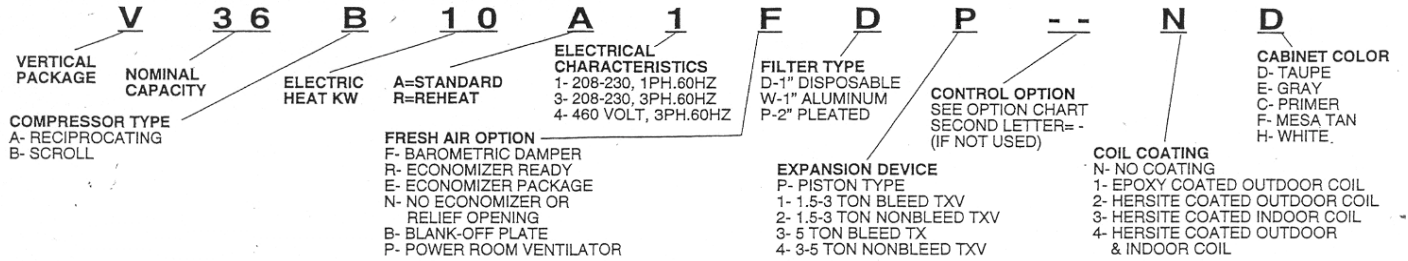
**10.3 EER – FV Series Wall-Mount Air Conditioners & Heat Pumps**

**NOMENCLATURE**



**10.0 SEER - V High Efficiency Series –Wall Mount Air Conditioners**

**MODEL KEY: Wallmounted Air Conditioners**

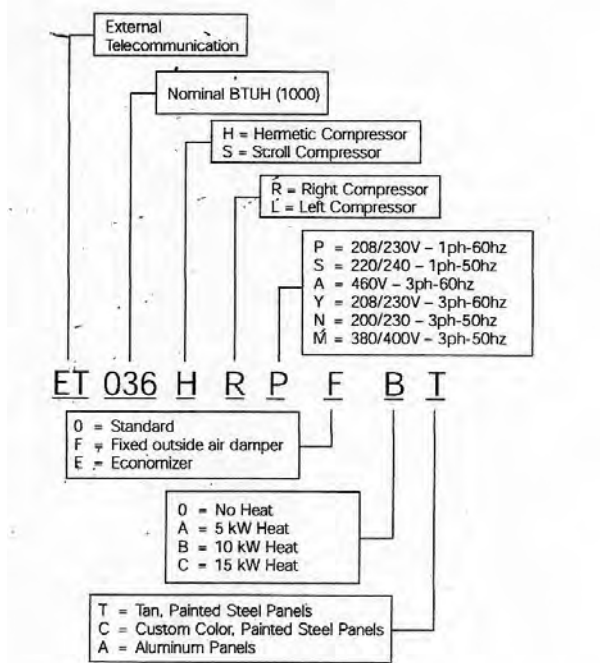


**10.0 SEER – OES / OHS Series Air Conditioners and Heat Pumps**

Wall-Mount Model Identification Guide												
BASIC MODEL CONFIGURATION						OPTIONS						
<b>Family</b> O = Friedrich Wall-Mount	<b>O</b>	<b>E</b>	<b>S</b>	<b>36</b>	<b>K</b>	<b>A</b>	<b>10</b>	<b>X</b>	<b>X</b>	<b>X</b>	<b>X</b>	<b>- A</b>
<b>System Type</b> E = Cooling with or without electric heat H = Heat Pump						<b>Engineering Revision Digit</b>						
<b>Chassis Designation</b> S = Standard						<b>Future Revision Digit</b>						
<b>Nominal Cooling Capacity</b> <b>BTU/h</b> 18 = 18,000    36 = 36,000    60 = 60,000 24 = 24,000    42 = 42,000 30 = 30,000    48 = 48,000						<b>Ventilation Options</b> X = Manual fresh air damper (standard) M = Motorized fresh air damper N = No vent option E = Economizer C = Commercial Room Ventilator V = Energy Recovery Ventilator						
<b>Voltage/Phase/Hertz</b> K = 208/230V - 1 PH - 60HZ						<b>Chassis Color</b> X = Alaskan Beige (standard)						
<b>Revision Digit</b>						<b>Control Options</b> X = Standard Controls                      L = 20° Low Ambient						
						<b>Electric Heat - KW Options</b> 00 = No electric heat            10 = 10.0 KW 05 = 5.0 KW                        15 = 15.0 KW 08 = 8.0 KW                        20 = 20.0 KW						

Note: 07/2005 have been advised that Friedrich has stopped production Wall-Mount products.

IntelCool 2



**Marvair Nomenclature Layout**

I	II	III	IV	V	VI	VII	VIII	IX	X	XI	XII	XIII
---	----	-----	----	---	----	-----	------	----	---	----	-----	------

**I Heat Exchanger**  
 A = Air-to-Air  
 D = Dual Compressor  
 E = Environmental  
 H = High Efficiency  
 W = Water-to-Air

**II Air Flow Configuration**  
 C = Control  
 D = Counterflow  
 P = Partial Redundent  
 R = Redundent  
 V = Vertical

**III Unit Category For Use With**  
 E = Electric  
 I = Air Source Indoor  
 P = Package  
 P = A/C W/PLC  
 R = AC Remote W/PLC  
 U = Unit

**IV Freon Type**  
 = R-22  
 A = R410A  
 C = R407C  
 M = R134a

**V Nominal Cooling Capacity**

**VI System Type**  
 AC = Air Conditioner  
 HP = Heat Pump

**VII Electrical Rating**  
 A = 208/230-1-60  
 B = 115-1-60  
 C = 208/230-3-60  
 D = 460-3-60  
 E = 380-3-50 4 wire  
 F = 220-1-50  
 G = 220-3-50  
 H = 380-3-50  
 J = 460-3-50  
 K = 100-1-50  
 L = 208/230-1-60 & 200-1-50  
 M = 200-1-50 ONLY  
 N = 265-1-60  
 P = 12 VDc  
 R = 24 VDc  
 S = 48 VDc  
 W = 220/240-1-50

**VIII Electrical Heat Designator  
 KW @ Rated Voltage**  
 00 = No Electric Heat

**IX Configuration**  
 A = SlimPac II w/economizer  
 B = SlimPac II w/48VDC Vent  
 C = ComPac II or Classic II w/economizer  
 C4 = ComPac4 w/economizer  
 H = GreenPac  
 M = ModPac II  
 M3 = ModPac3  
 N = ComPac I or Classic I  
 N3 = ComPac 3  
 P = GreenPac Plus  
 S = SlimPac I

**X Option/Accessory Code**  
 A = Sentry Controller  
 B = 0 or 450 CFM Damper w/Pressure Relief  
 D = Dessert Duty Kit (ND)  
 E = Dessert Duty Kit (CE)  
 F = High Filtration  
 G = Hot Gas Reheat  
 I = Inverter Circuit  
 K = Coastal Environmental Package  
 L = Opposite Side Compressor  
 P = No Controls  
 R = Reheat/Dehumidification (Electric)  
 T = Top Discharge  
 U = Scroll Compressor  
 V = 0 to 37.5% Manual Damper, External, No Pressure Relief (MII Only)  
 W = Water Heat Recovery or Water Heat  
 X = Hot Gas By Pass  
 Y = 0 - 450 CFM Manual Damper, Field Adjustable, No Pressure Relief  
 Z = 0 to 450 CFM Manual Damper, Field Adjustable, w/Pressure Relief

**XI LA = LAUSD  
 HC = High Capacity  
 II - PLC**

**XII Color Code & Gauge**

1000 = 20 GA Beige	1016
2000 = 20 GA Gray	2016
3000 = 20 GA Brown	3016
4000 = 20 GA White	4016
5000 = 20 GA Stainless Steel	5016 or 5018
6000 = 20 GA Dark Bronze	6016
7000 = Stucco Aluminum .050	

**XIII Engineering Series  
 Or Component  
 Designator**  
 Combination of any  
 two Alpha-Numerical  
 Characters

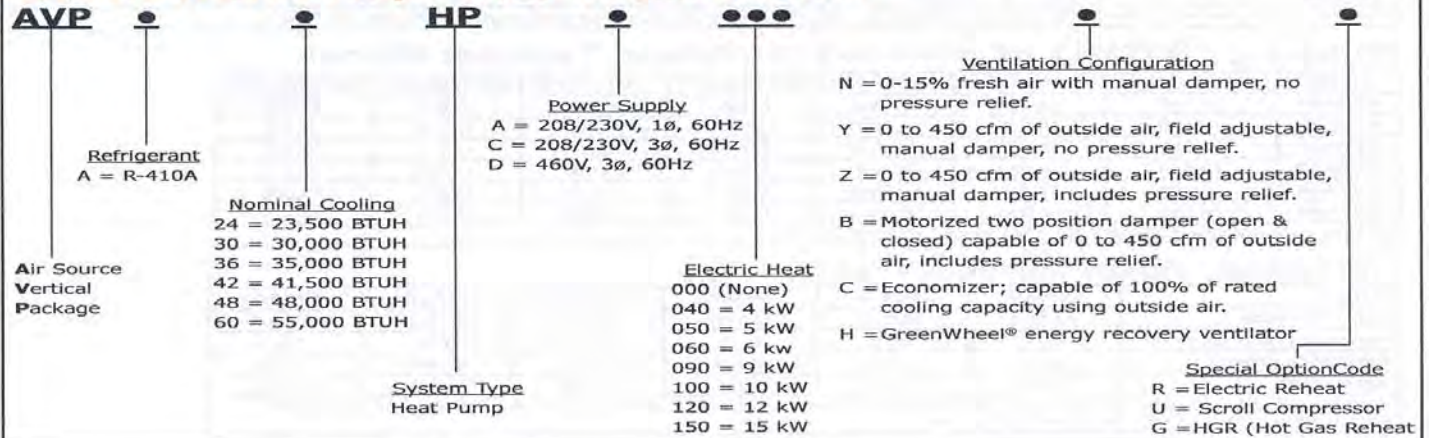
**Note:** Date Code is now  
 part of the unit  
 serial number.  
  
 Jul-02  
 (Extreme Desert Duty  
 (ND) & (CD)

Number	1/01165
Revision	9
Exhibit	E006

**Received 4/25/2007**

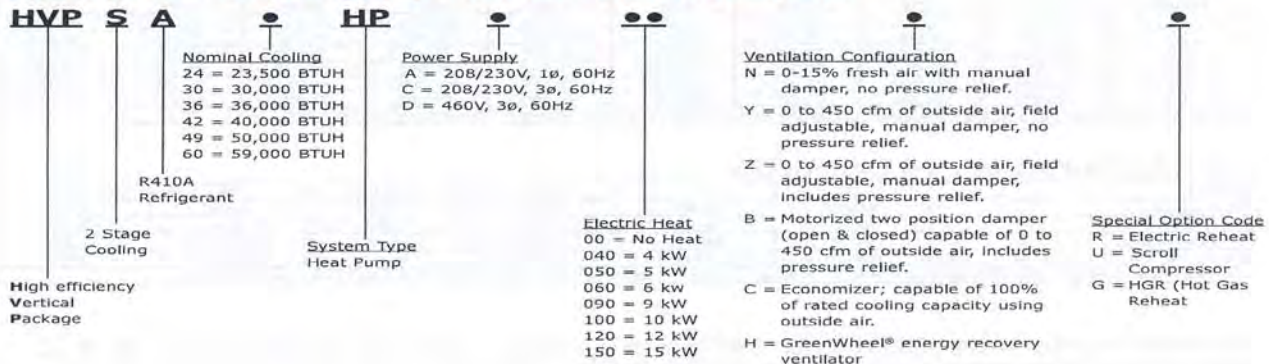
AVAP Series Classic Heat Pump Model Identification – R-410A

Classic Heat Pump Model Identification

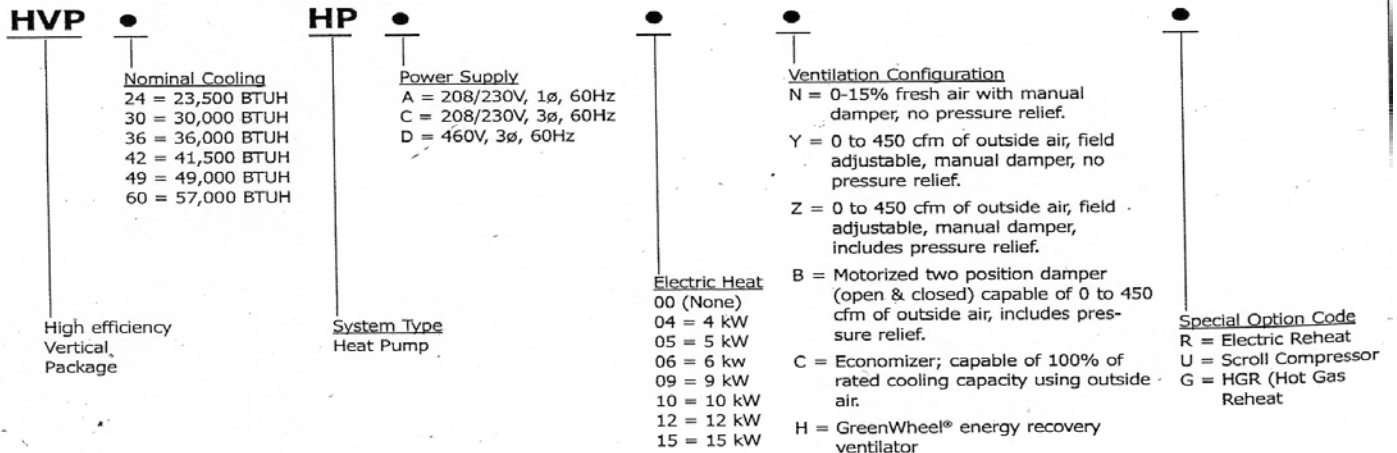


HPVA Classic 13 Heat Pump Model Identification – R-410A

Classic 13 Heat Pump Model Identification

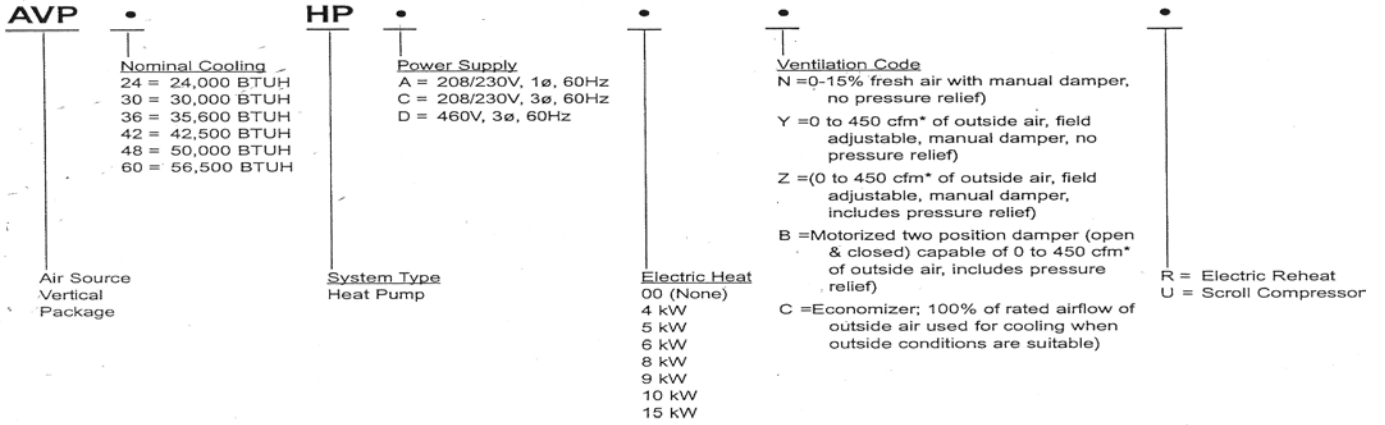


Classic 12 Heat Pump – 12 SEER – R-22

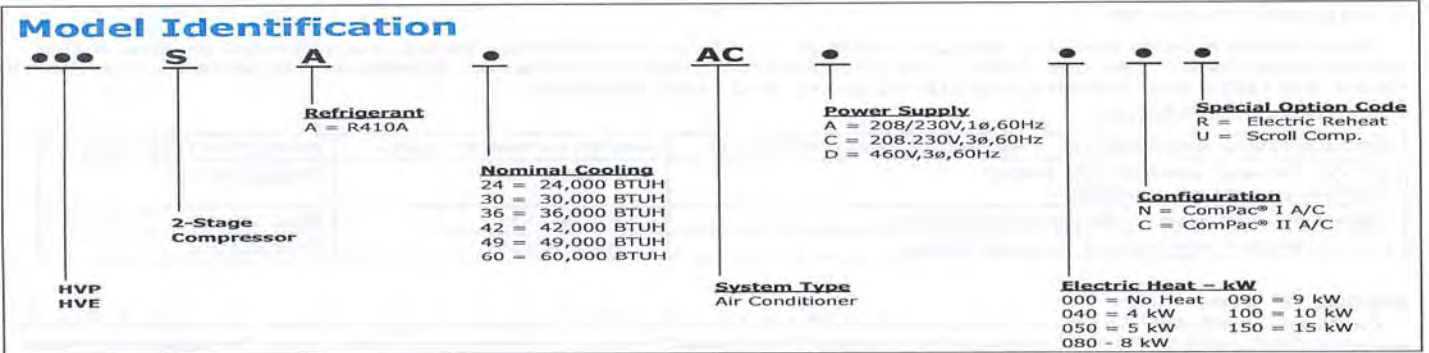


# Mavair

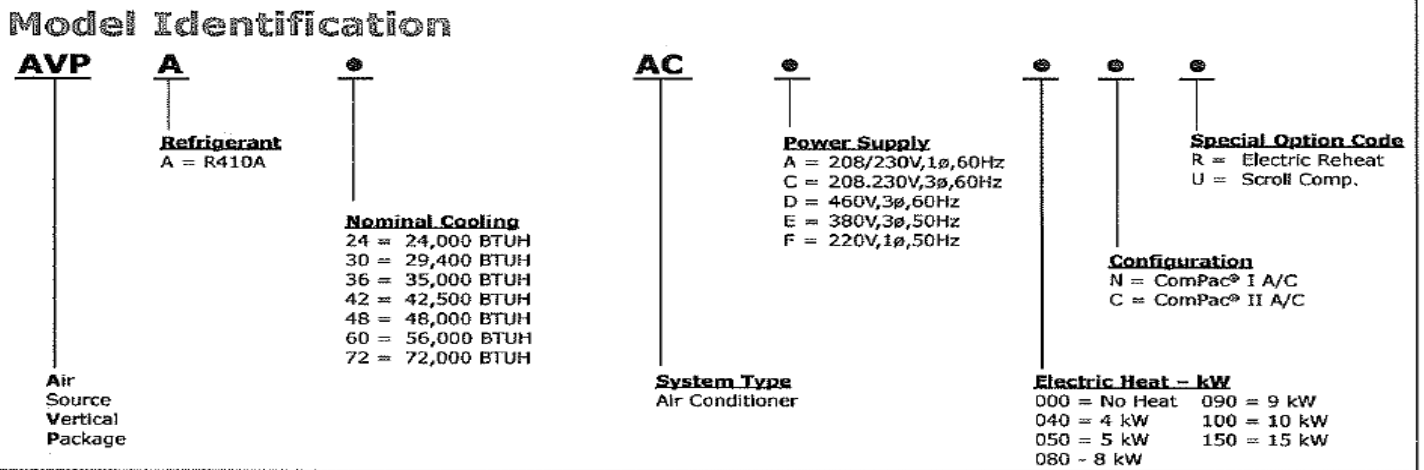
## Classic Heat Pump – 10 SEER – R-22



## HVPA HVPSA HVEA HVESA ComPac I & ComPac II Air Conditioners – R-410A



## AVPA Series – Air Conditioner (R-410A)





# Mavair

## ComPac I & ComPacII - 1 to 6 Ton Vertical Wall Mount Air Conditioners – R-22

<p><b>AVP</b></p> <p>Air Source Vertical Package</p>	<p><b>●</b></p> <p><u>Nominal Cooling</u>                  12 = 11,200 BTUH                  20 = 18,000 BTUH                  24 = 24,000 BTUH                  30 = 29,400 BTUH                  36 = 35,600 BTUH                  42 = 41,500 BTUH                  48 = 48,000 BTUH                  57 = 57,000 BTUH                  72 = 72,000 BTUH</p>	<p><b>AC</b></p> <p>System Type Air Conditioner</p>	<p><b>●</b></p> <p><u>Power Supply</u>                  A = 208/230V,1ø,60Hz                  C = 208.230V,3ø,60Hz                  D = 460V,3ø,60Hz                  E = 380V,3ø,50Hz                  F = 220V,1ø,50Hz                  G = 220V,3ø,50Hz</p>	<p><b>●</b></p> <p><u>Electric Heat – kW</u>                  00    04    08    10                  2.2   05    09    15</p>	<p><b>●</b></p> <p><u>Special Option Code</u>                  R = Electric Reheat                  U = Scroll Comp.</p>	<p><b>●</b></p> <p><u>Configuration</u>                  N = ComPac® I A/C                  C = ComPac® II A/C</p>	<p><b>●</b></p> <p><u>Power Supply</u>                  H = 380V,3ø,60Hz                  J = 460V,3ø,50Hz                  L = 208/230V,1ø,60Hz &amp; 200V,1ø,50Hz                  M = 200V,1ø,50Hz</p>
--	---	---	--	--	--	--	---

## Mod Pac II 1-to-5 Ton Vertical Wall Mount Air Conditioners – R-22

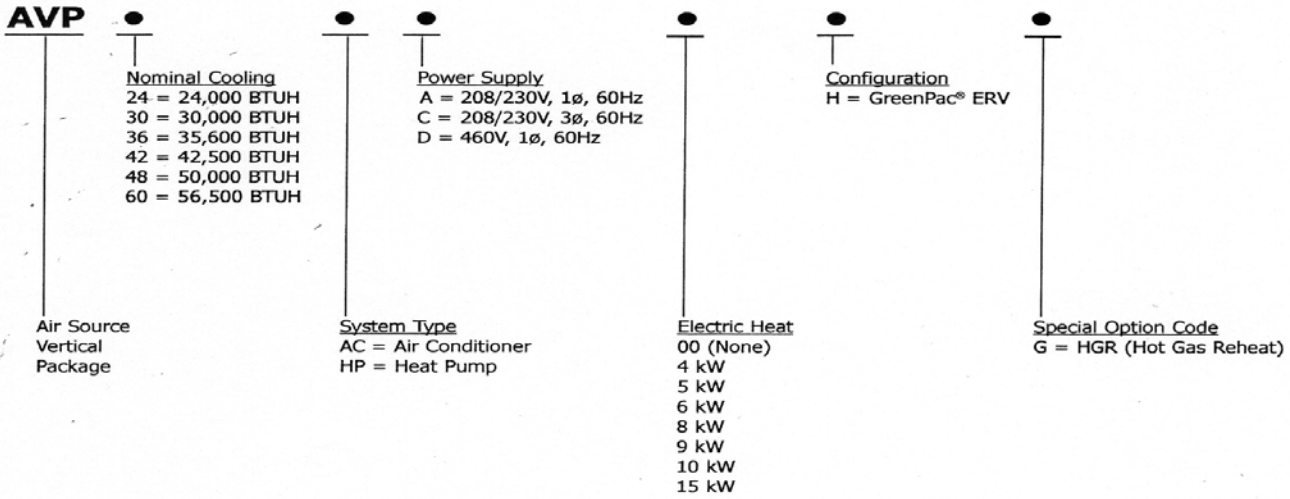
<p><b>AVP</b></p> <p>Air Source Vertical Package</p>	<p><b>●</b></p> <p><u>Nominal Cooling</u>                  12 = 11,200 BTUH                  20 = 18,000 BTUH                  24 = 24,000 BTUH                  30 = 29,400 BTUH                  36 = 35,600 BTUH                  42 = 41,500 BTUH                  48 = 48,000 BTUH                  60 = 57,000 BTUH</p>	<p><b>AC</b></p> <p>System Type Air Conditioner</p>	<p><b>●</b></p> <p><u>Power Supply</u>                  A = 208/230V,1ø,60Hz                  C = 208/230V,3ø,60Hz                  D = 460V,3ø,60Hz                  E = 380V,3ø,50Hz                  F = 220V,1ø,50Hz</p>	<p><b>●</b></p> <p><u>Electric Heat – kW</u>                  00    05                  2.2   08    10                  04    09    15</p>	<p><b>M</b></p> <p>Configuration M = ModPac II™ A/C</p>	<p><b>●</b></p> <p><u>Ventilation Code</u>                  N = 0-15% fresh air with manual damper, no pressure relief)                  B = Motorized two position damper (open &amp; closed) capable of 0 to 450 cfm* of outside air, includes pressure relief)</p>
--	---	---	--	--	---	---

## ModPac II – Vertical Wall-Mount Air Conditioners 1.5 to 5 tons – R-22

<p><b>AVP</b></p> <p>Air Source Vertical Package</p>	<p><b>●</b></p> <p><u>Nominal Cooling</u>                  20 = 18,000 BTUH                  24 = 24,000 BTUH                  30 = 29,400 BTUH                  36 = 35,600 BTUH                  42 = 41,500 BTUH                  48 = 48,000 BTUH                  60 = 56,500 BTUH</p>	<p><b>AC</b></p> <p>System Type Air Conditioner</p>	<p><b>●</b></p> <p><u>Power Supply</u>                  A = 208/230V,1ø,60 Hz                  C = 208/230V,3ø,60 Hz                  D = 460V,3ø,60 Hz                  E = 380V,3ø,50 Hz                  F = 220V,1ø,50 Hz</p>	<p><b>●</b></p> <p><u>Electric Heat</u>                  00 kW                  04 kW                  05 kW                  08 kW                  09 kW                  10 kW                  15 kW</p>	<p><b>M</b></p> <p>Configuration M = ModPac II</p>	<p><b>●</b></p> <p><u>Colors</u>                  X = Marvair Beige                  1 = White                  2 = Slate Grey                  3 = Sand Tan                  4 = Putty                  5 = Choc. Brown                  6 = Pebble Tan</p>	<p><b>●</b></p> <p><u>Factory Installed Breaker</u>                  X = Breaker Not Installed (Std.)                  1 = Breaker Installed</p>
--	---	---	---	--	--	--	--

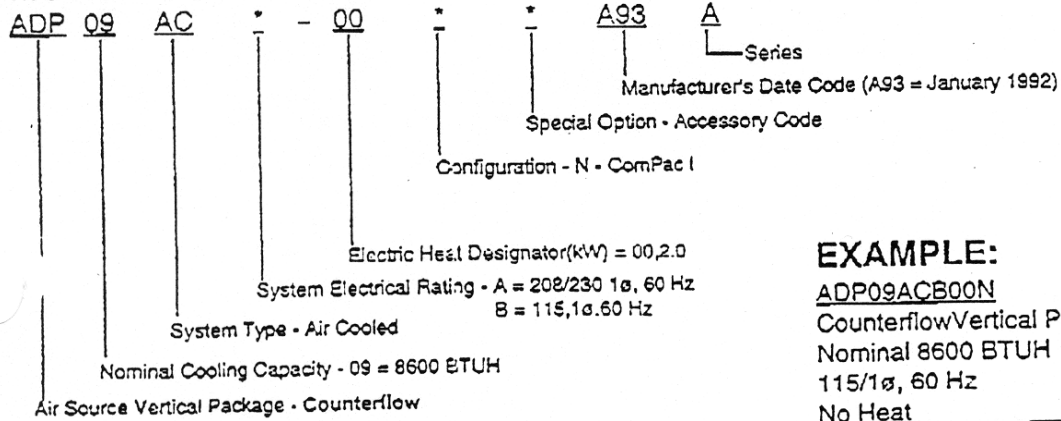
# Mavair

## GreenPac & GreenPac HGR Heat Pumps & Air Conditioners – R-22

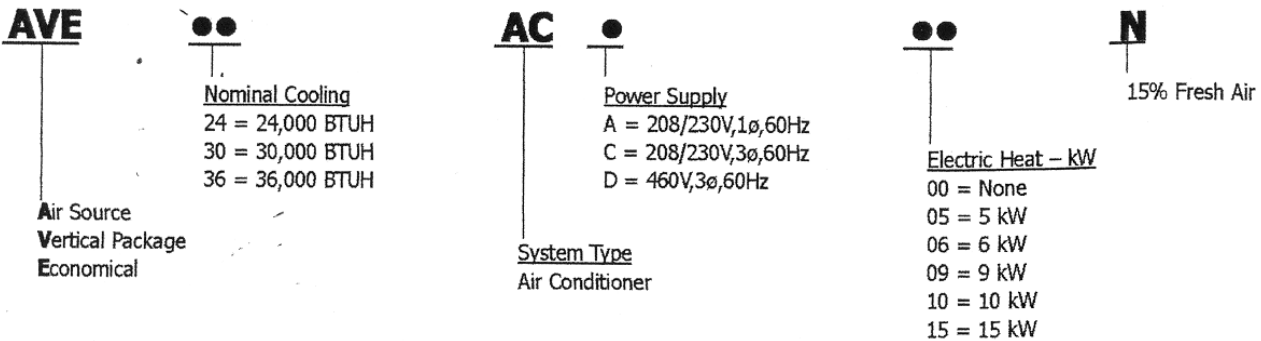


## MotoPac Vertical Wall-Mount Environmental Control Unit – R-22

### MODEL IDENTIFICATION (Followed by Additional Characters)



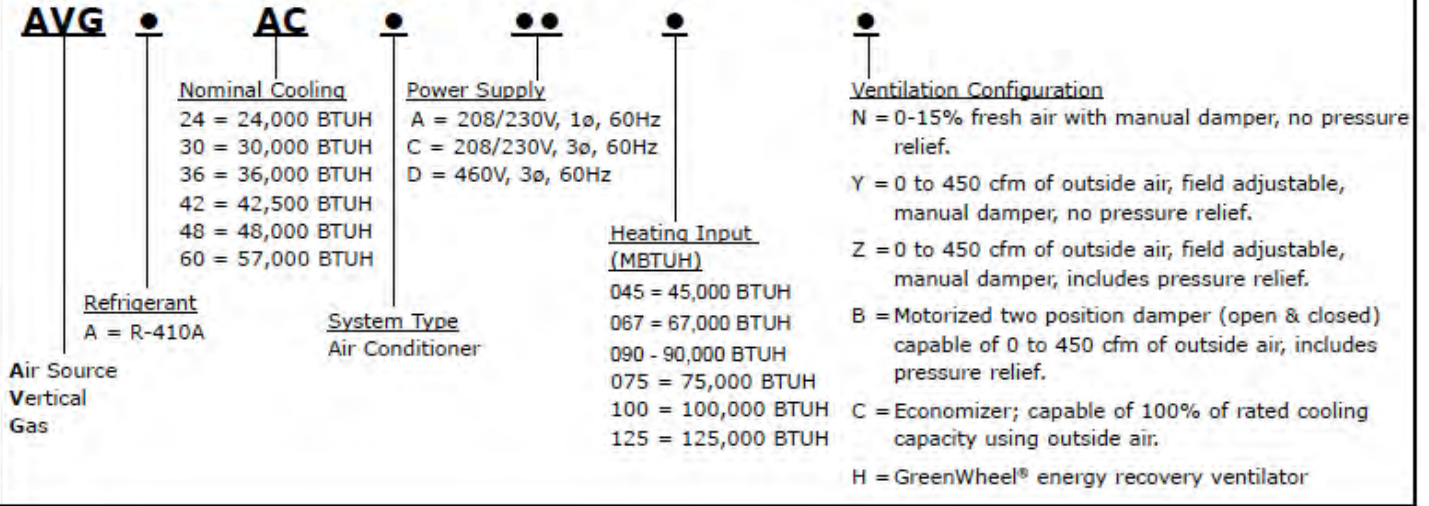
## XcelPac Air Conditioners 2.0, 2.5, & 3.0 Tons – R-22



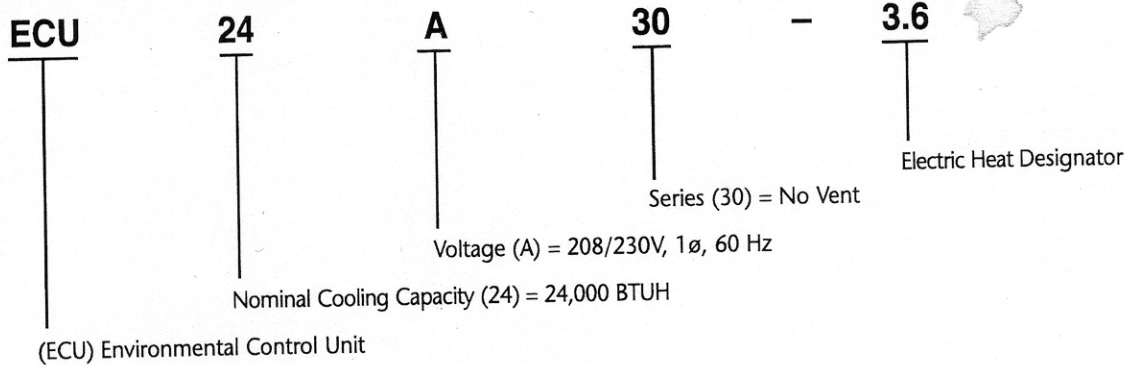
# Mavair

## AVG Series GasPac Nomenclature ~ R-410A

### Model Identification



## ComCool Environmental Control Units – R-22



### Example:

ECU24A30-3.6 = Vertical Package ECU  
Nominal 2 tons; 208/230V, 1ø, 60 Hz; 3.6 kW Electric Heat

# Mavair

## 5 Ton Environmental Control Unit – “The Ideal Replacement for 3 Ton Air Conditioners – R-22

**ECU 60**

Environmental  
Control  
Unit

Nominal Cooling  
Capacity  
60,000 BTUH

**AC**

Air Conditioner

•

Power Supply  
A = 208/230V,1ø,60Hz  
C = 208/240V,3ø,60Hz  
D = 460V,3ø,60Hz

**N**

Electric Heat – kW  
00 09  
05 10  
15

Configuration  
N = Non economizer

## SlimPac Environmental Control Unit – R-22

### MODEL IDENTIFICATION (Followed by Additional Characters)

**ADP 12 AC A - \*\* \* \* A92 A**

ADP – Air Source Vertical Package - Counterflow  
12 – Nominal Cooling Capacity - 12 = 12,000 BTUH  
AC – System Type - Air Cooled  
A – System Electrical Rating - A = 208/230 1ø, 60 Hz  
- – Electric Heat Designator(kW) = 00,2.2  
\*\* – Configuration - A = SlimPac II with AC Vent  
\* – Special Option - Accessory Code  
\* – Manufacturer's Date Code (A92 = January 1992)  
A92 – Series  
A – Series

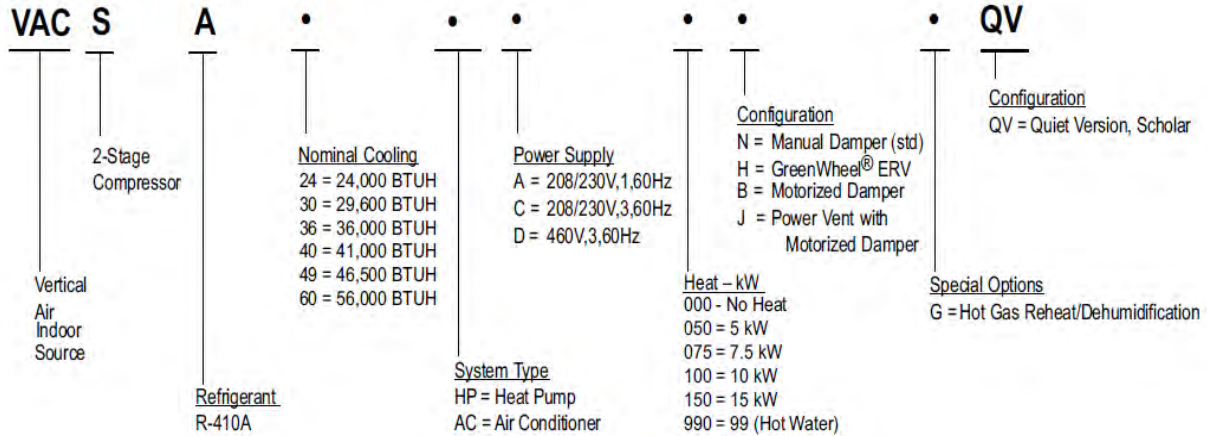
### EXAMPLE:

**ADP12ACA-2.2S**  
Counterflow/Vertical Package ECU  
Nominal 1 Ton  
208/230V, 1ø, 60 Hz  
2.2 kW Electric Heat

# Mavair

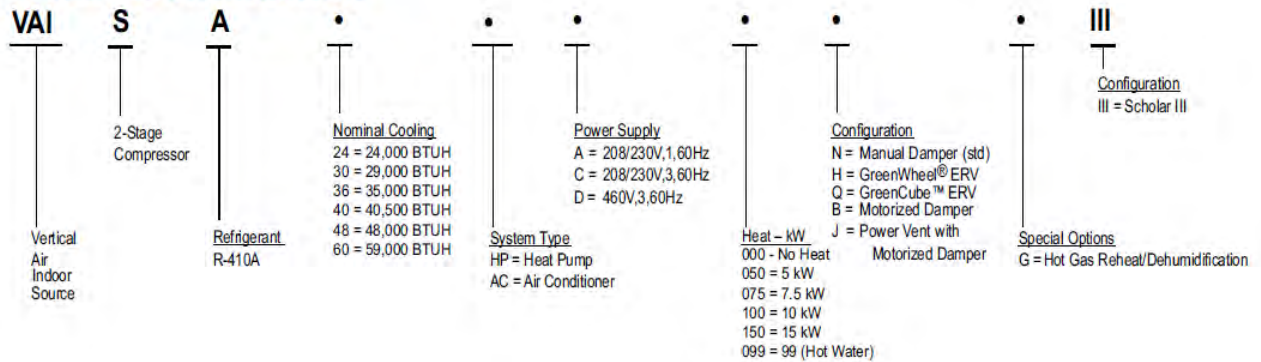
## VACA & VACSA Series Scholar QV ~ R-410A

### Model Identification



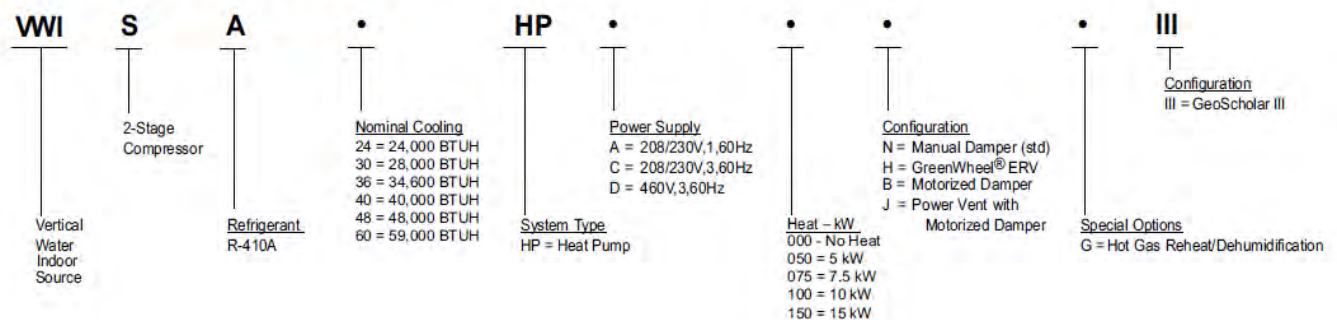
## VAIA & VAISA Series Scholar III HP and A/C ~ R-410A

### Model Identification



## VWIA & VWISA Series GeoScholar III HP ~ R-410A

### Model Identification



# Mavair

## SVI 1000 – 2000 Unit Ventilator

### Model Identification

**SVI**

Scholar II™  
Ventilator  
Indoor

Nominal Air Delivery  
1000 = 800 - 1200 cfm  
2000 = 1400 - 2000 cfm

Power Supply  
A = 208/230V, 1ø, 60Hz  
B = 115V, 1ø, 60Hz  
C = 208/230V, 3ø, 60Hz  
D = 460V, 3ø, 60Hz

Heat – kW  
00 15  
05 98 (Steam)  
7.5 99 (Hot Water)  
10

Configuration

N = Manual Damper (std)  
H = GreenWheel® ERV  
B = Motorized Damper  
J = Power Vent with  
Motorized Damper

Configuration  
II = Scholar II™

Cooling

CW = Chilled Water Coil  
DX = Direct Expansion

## Scholar II – Heat Pumps – air-to-air – R-22

**VAI**

Vertical  
Air  
Source  
Indoor

Nominal Cooling  
24 = 23,600 BTUH  
30 = 30,000 BTUH  
36 = 35,600 BTUH  
40 = 39,500 BTUH  
48 = 46,500 BTUH  
60 = 56,000 BTUH

System Type  
HP Heat Pump  
AC Air Conditioner

Power Supply  
A = 208/230V, 1ø, 60Hz  
C = 208/230V, 3ø, 60Hz  
D = 460V, 3ø, 60Hz

Heat – kW  
00 15  
05 98 (Steam)  
7.5 99 (Hot Water)  
10

Configuration

N = Manual Damper (std)  
C = Economizer  
H = GreenWheel® ERV  
B = Motorized Damper  
J = Power Vent with  
Motorized Damper

Configuration  
II = Scholar II™  
Heat Pump

Special Options

G = Hot Gas Reheat/  
Dehumidification

## Geo Scholar – Geothermal Heat Pumps – water-to-air – R-22

**VWI**

Vertical  
Water  
Source  
Interior

Nominal Cooling  
30 = 30,200 BTUH  
36 = 35,600 BTUH  
42 = 41,800 BTUH  
48 = 46,000 BTUH

**HP**

System Type  
Heat Pump

Power Supply  
A = 208/230V, 1ø, 60 Hz  
C = 208/230V, 3ø, 60 Hz  
D = 460V, 3ø, 60 Hz  
E = 380V, 3ø, 50 Hz (4-Wire)

Heat  
00 = No heat  
05 = 5 kW  
10 = 10 kW  
15 = 15 kW  
99 = Wet Heat

Configuration  
N = No Fresh Air  
C = Economizer

# Mavair

## Scholar II Ventilator – R-22

**SVI**

Scholar II  
Ventilator  
Indoor

Nominal Air Delivery  
1000 = 800 -1200 cfm  
2000 = 1400 - 2000 cfm

Power Supply  
A = 208/230V,1ø,60Hz  
C = 208/230V,3ø,60Hz  
D = 460V,3ø,60Hz

Heat – kW  
00 15  
05 98 (Steam)  
7.5 99 (Hot Water)  
10

Configuration  
N = Manual Damper (std)  
C = Economizer  
H = GreenWheel™  
B = Motorized Damper  
J = Power Vent with  
Motorized Damper

Configuration  
II = Scholar II

Cooling  
CW = Chilled Water Coil  
DX = Direct Expansion

## Scholar II – Air Conditioners – R-22

**VAI**

Vertical  
Air  
Source  
Indoor

Nominal Cooling  
24 = 23,600 BTUH  
30 = 30,000 BTUH  
36 = 35,600 BTUH  
40 = 39,500 BTUH  
48 = 46,500 BTUH  
60 = 56,000 BTUH

System Type  
HP air conditioner  
AC Air Conditioner

Power Supply  
A = 208/230V,1ø,60Hz  
C = 208/230V,3ø,60Hz  
D = 460V,3ø,60Hz

Heat – kW  
00 10 98 (Steam)  
05 15 99 (Hot Water)  
7.5

Ventilation Configuration  
N = Manual Damper (std)  
H = GreenWheel® ERV  
B = Motorized Damper  
J = Power Vent with  
Motorized Damper

Configuration  
II = Scholar II™  
Air Conditioner

Special Options  
G = Hot Gas Reheat/  
Dehumidification

## ClassAire Self Contained Unit Ventilator – Classroom HVAC Console Unit – R-22

**MVP**

Model  
Modular  
Vertical  
Package

Nominal Cooling  
18 = 18,000 BTUH  
24 = 24,000 BTUH  
36 = 35,600 BTUH  
42 = 42,500 BTUH  
48 = 50,000 BTUH

System Input Voltage  
A = 208/230V, 1ø, 60Hz  
C = 208/230V, 3ø, 60Hz  
D = 460V, 3ø, 60Hz

System Type  
Heat Pump

Heat  
00 (None)  
2.5 kW  
5 kW  
10 kW  
98 (Steam)  
99 (Hot Water)

Ventilation Configuration  
N = Manual Fresh Air  
B = Motorized Fresh Air  
C = Economizer  
H = GreenWheel™ ERV  
J = Powervent with  
Motorized Damper

Orientation (MVP18/24 Only)  
R - Right Heat Pump  
L - Left Heat Pump

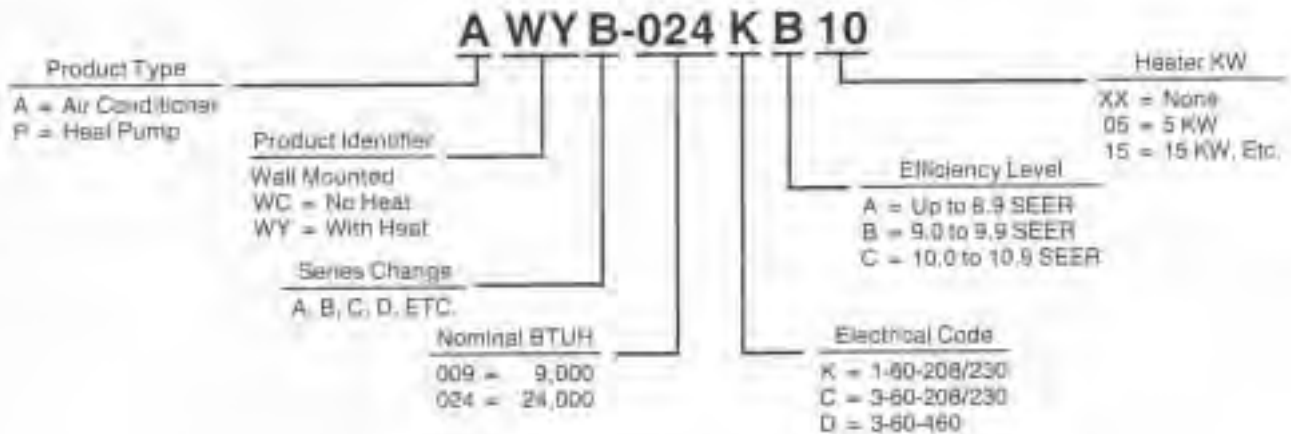
Cabinet Color  
1 - Silver Gray  
2 - Special Order Color

Example:

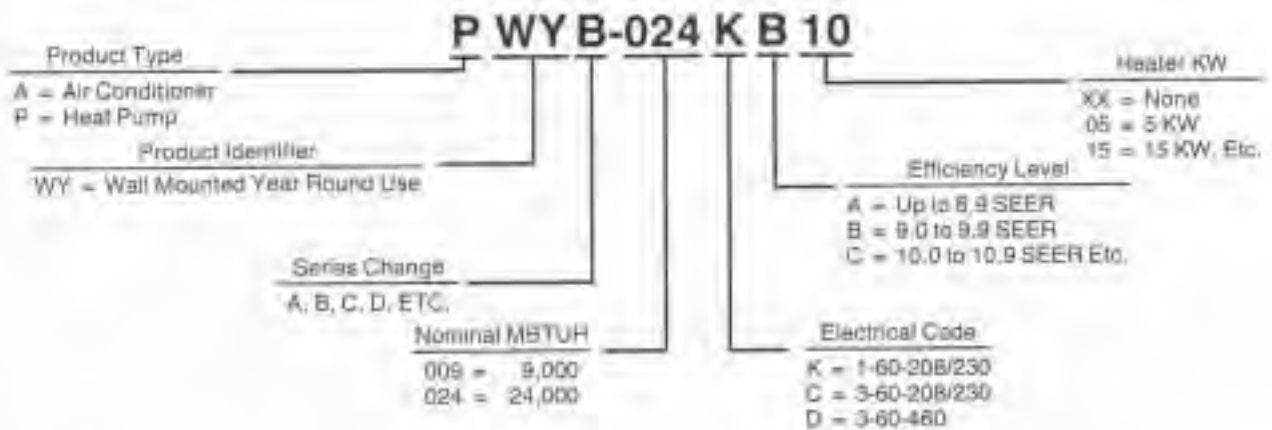
MVP 36 HP A 05 H 1  
Model 36,000 BTUH Heat Pump 208/230V, 1ø, 60Hz 5 kw Heater Silver Gray  
GreenWheel™ ERV Module

# Miller/Intertherm/Nordyne

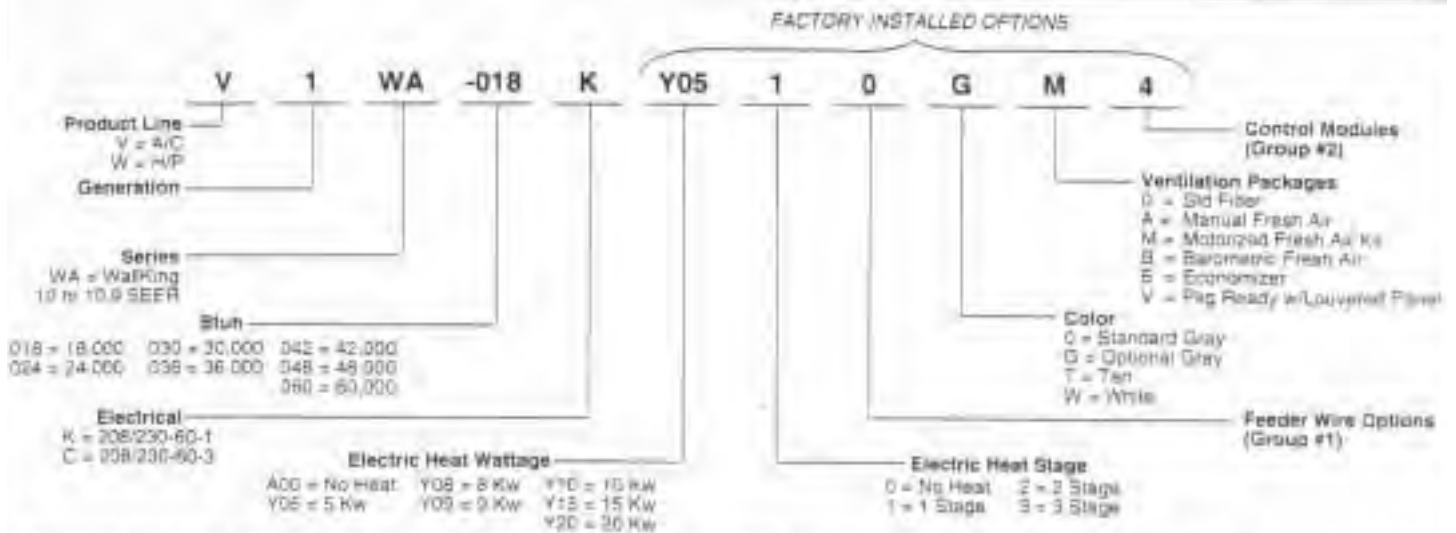
## AWCB/AWYB Series – Vertical Wall-Mount Air Conditioner



## PWYB Series – Vertical Wall-Mount Heat Pump



## V1WA Series – Vertical Wall-Mount Air Conditioner

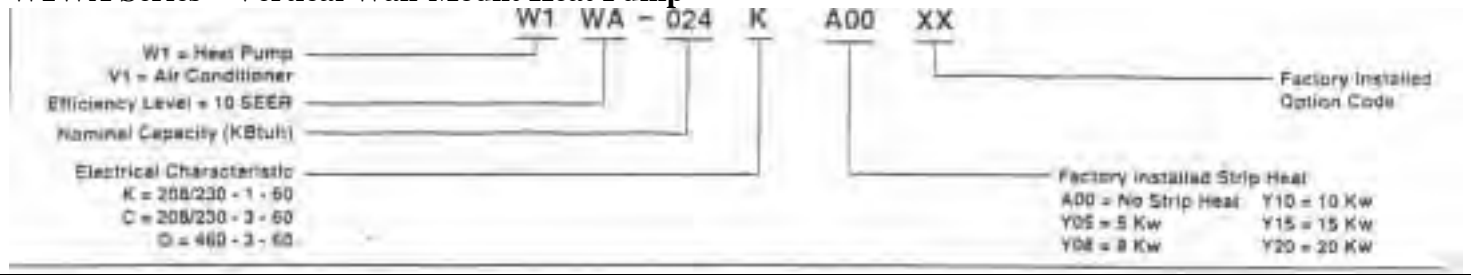


Notes: Use "0" as a No Option value if code spaces to the left of an option are not filled. Some options are inclusive or exclusive based on other options selected.



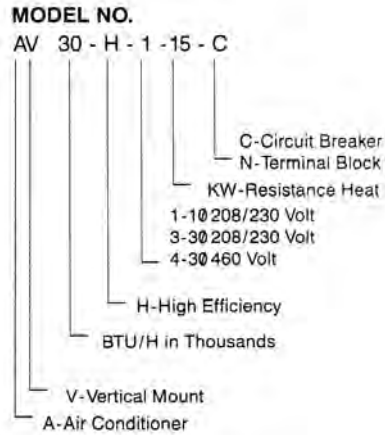
# Miller/Intertherm/Nordyne

## W1WA Series – Vertical Wall-Mount Heat Pump

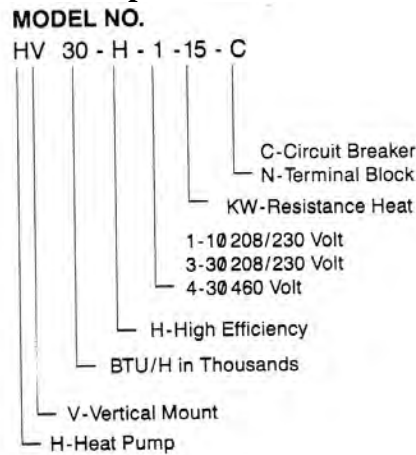


# Sun

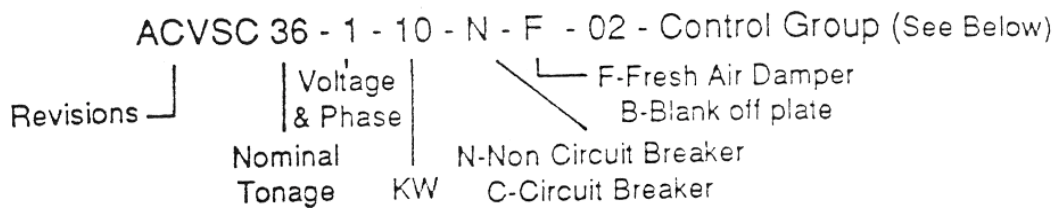
## 1000 Series – Wall-Mount Vertical Air Conditioners



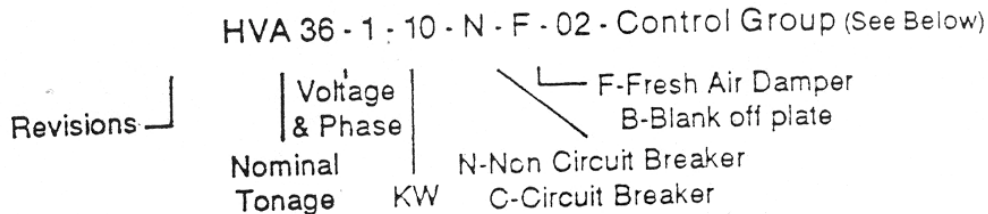
## 1000 Series – Wall-Mount Vertical Heat Pumps



## Wall-Mount Vertical Air Conditioners



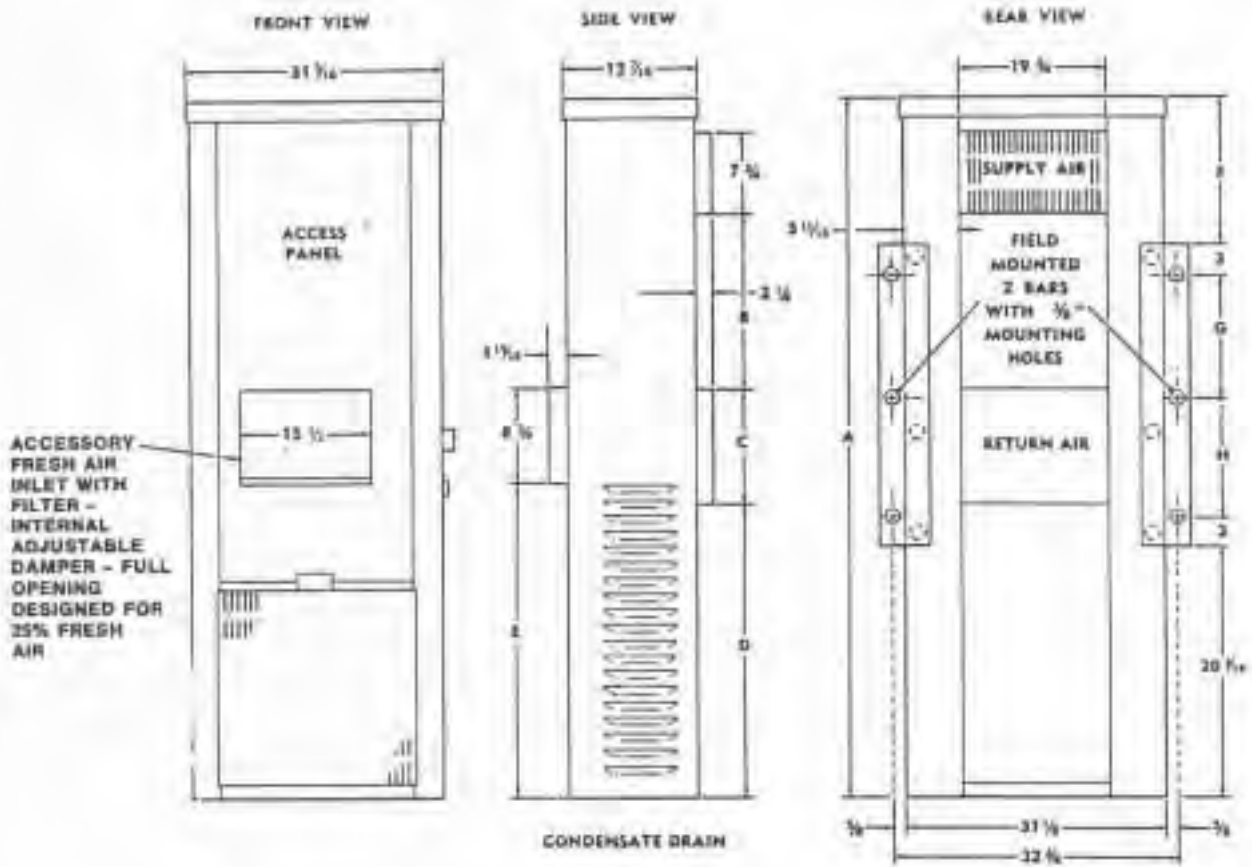
## Wall-Mount Vertical Heat Pumps



# Westinghouse

## UB Series Wall-Mount Air Conditioner

### PACKAGED CENTRAL COOLING MODELS UB022K, 030K AND 036K

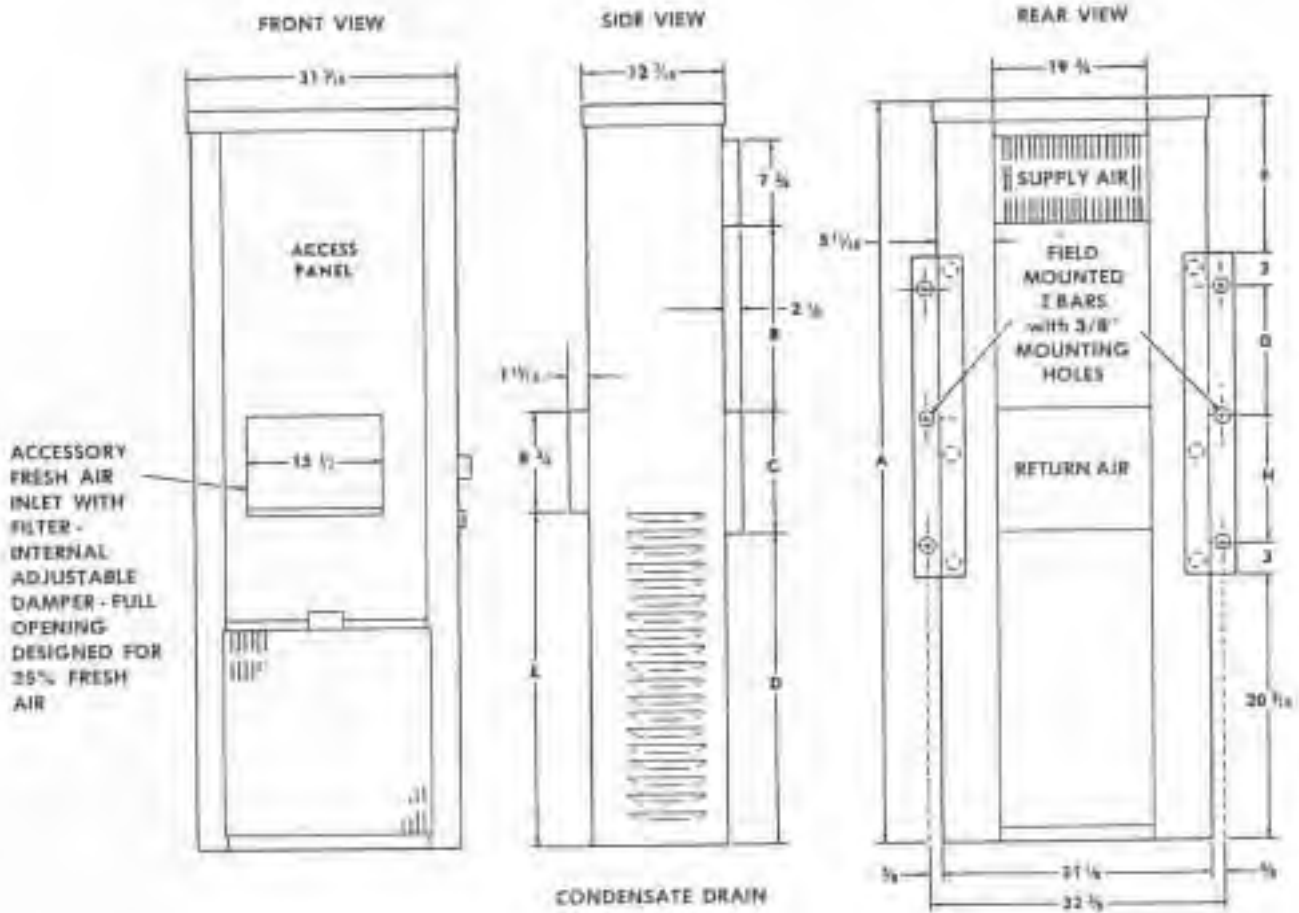


MODELS	A	B	C	D	E	F	G	H
UB022K	$72 \frac{1}{4}$	18	$12 \frac{1}{4}$	30	36	$16 \frac{1}{4}$	14	14
UB030K	78	10	14	42	41	$16 \frac{1}{4}$	18	18
UB036K	78	10	14	42	41	$16 \frac{1}{4}$	18	18

# Westinghouse

## HB Series Wall-Mount Heat Pump

### PACKAGED CENTRAL HEAT PUMPS MODELS HB018K, HB022K, 030K and 036K



MODELS	A	B	C	D	E	F	G	H
HB018K	72-5/16	19-3/4	12-3/16	30-1/2	36-1/2	18-1/8	14	14
HB022K	72-5/16	19-3/4	12-5/16	30-1/2	36-1/2	18-1/8	14	14
HB030K	78-5/8	10	14	42-3/4	41-1/2	16-7/16	18	18
HB036K	78-5/8	10	14	42-3/4	41-1/2	16-7/16	18	18