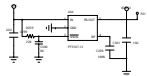
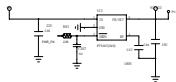
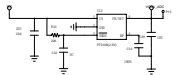
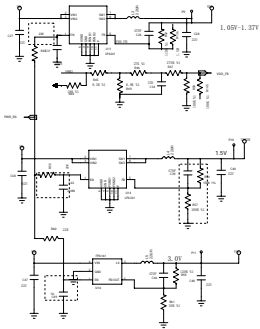


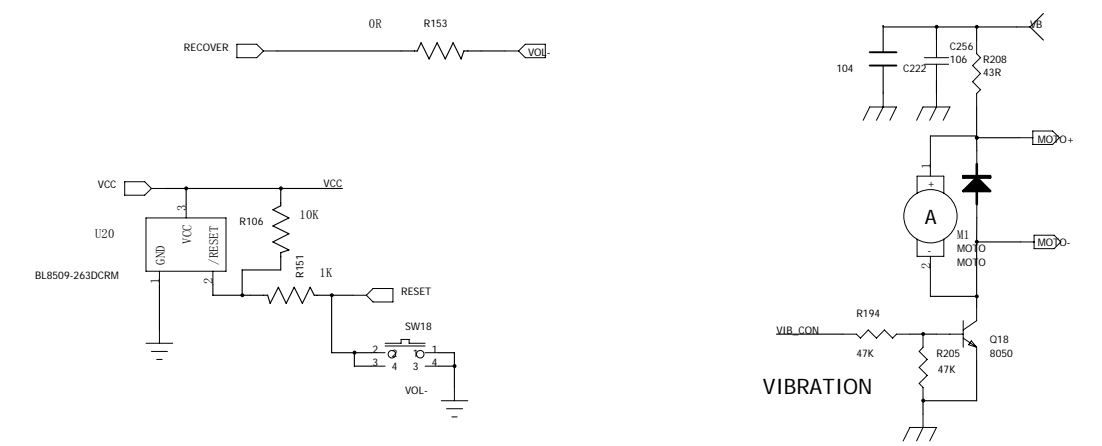
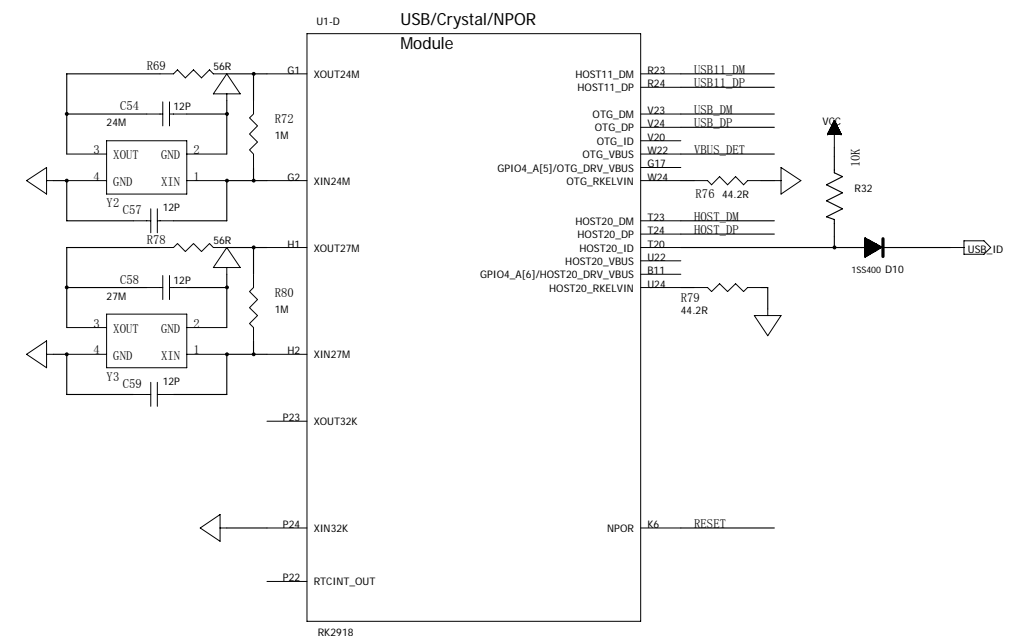
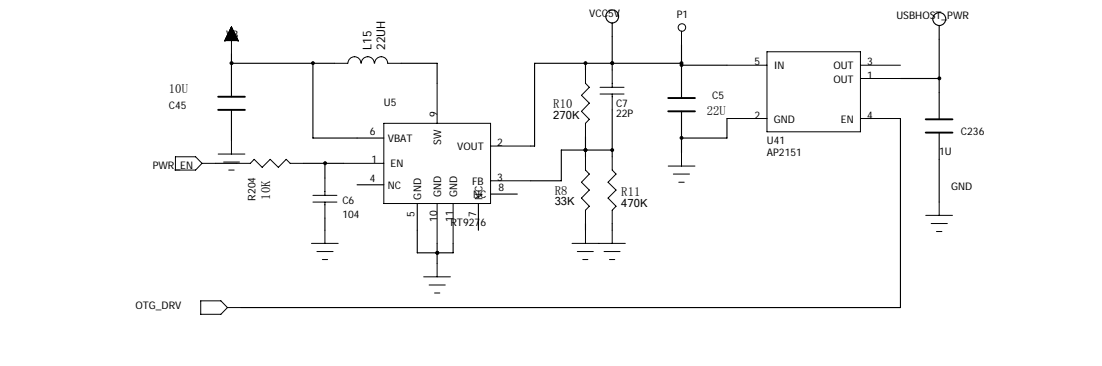
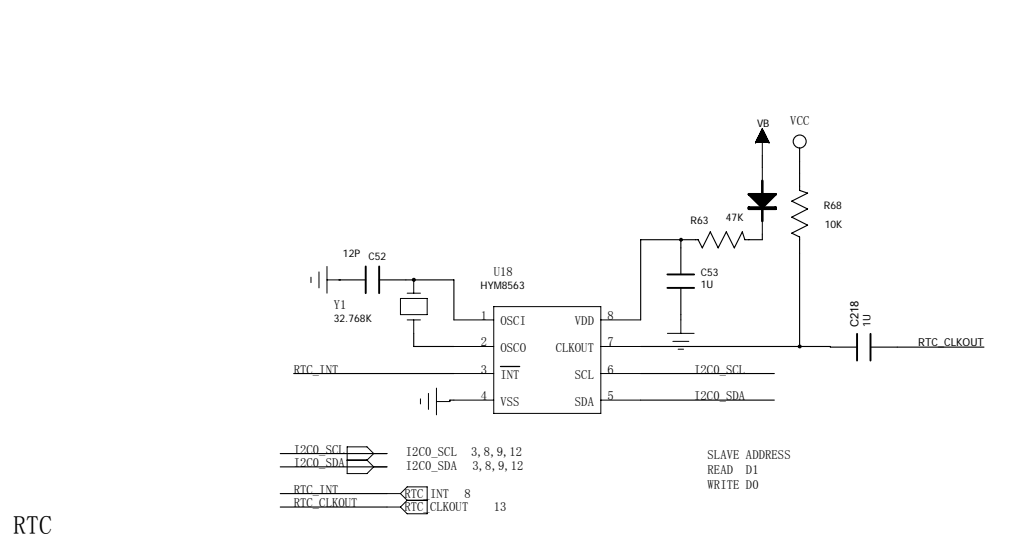
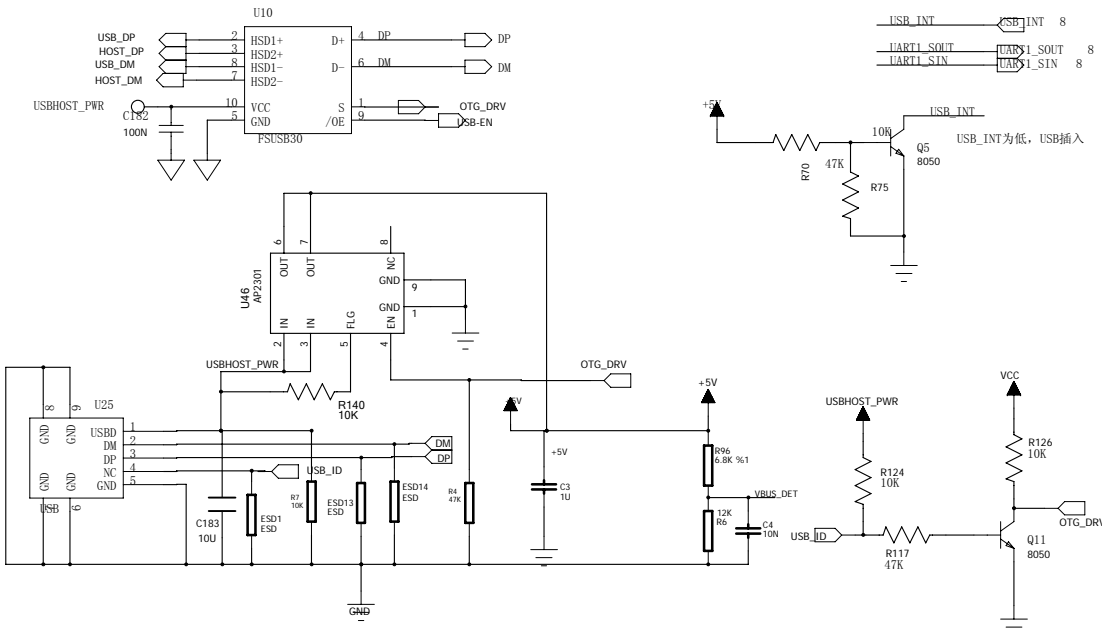
INPUT	OUTPUT
H	H
L	L
V	V
Y	Y

MSI		
Title: MS-N7Y1		
File: AC/CHARG		REV: 0.1
Create Date:	2	Page Num:
Modify Date: Tuesday, December 14, 2010	Page Total: 12	

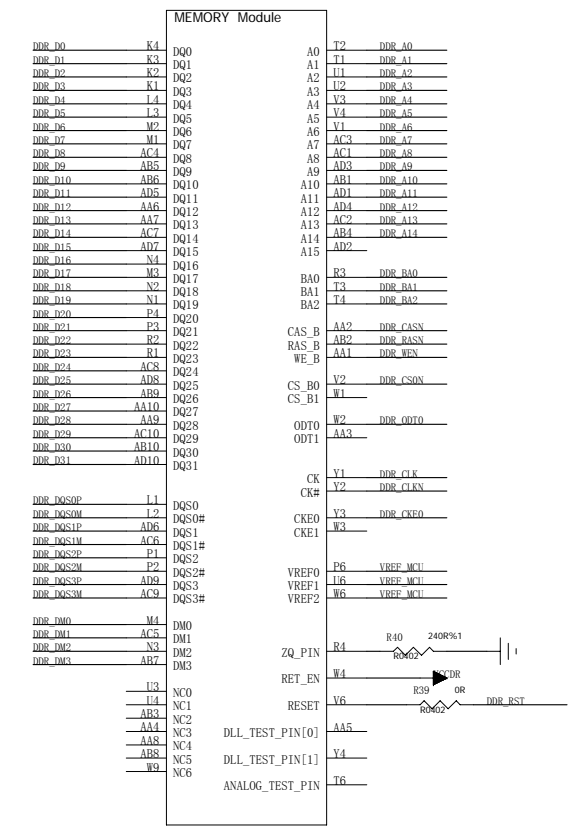


SYSTEM POWER

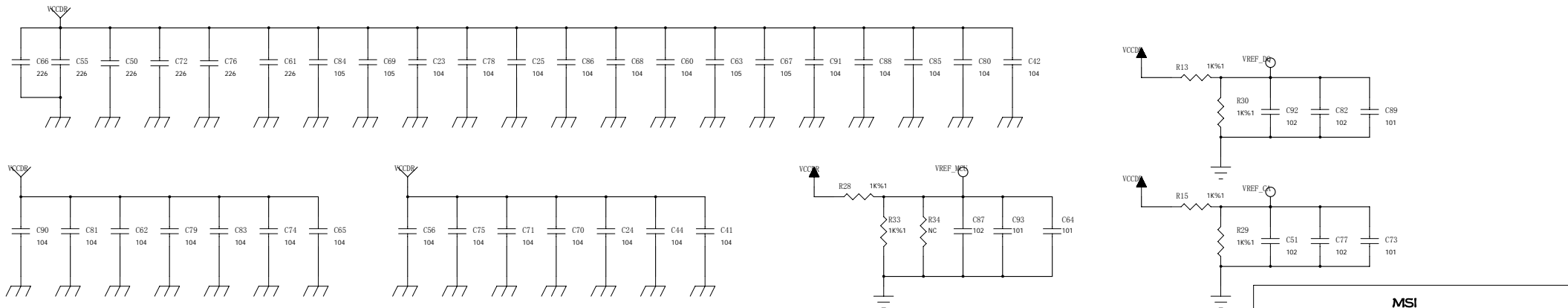
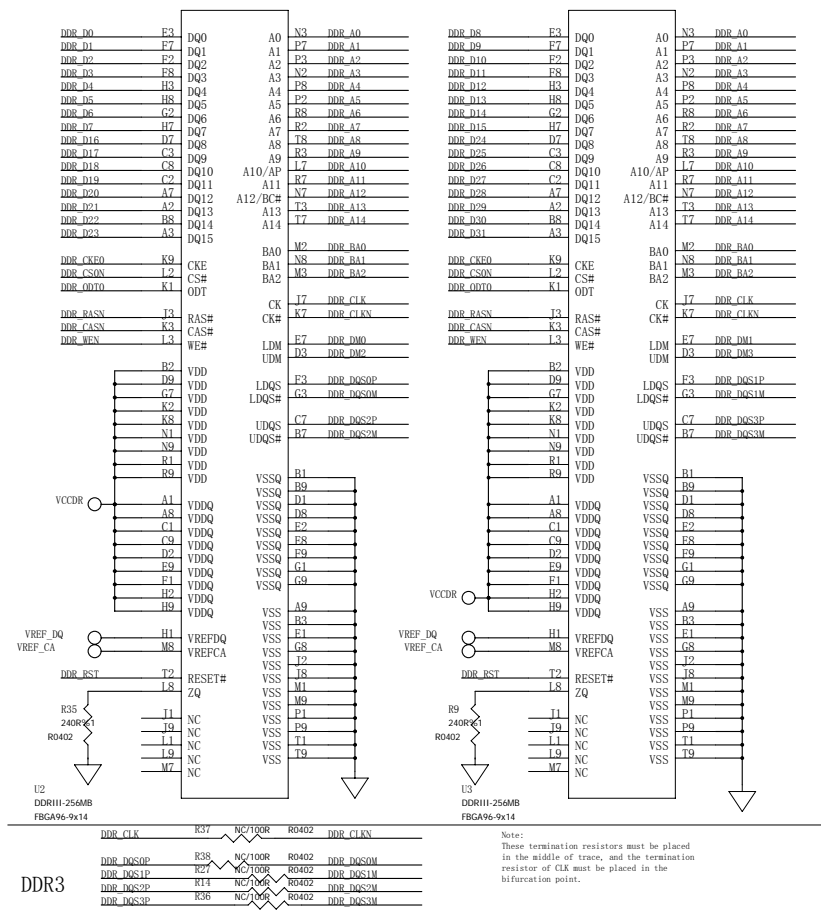
MIN		
Title:	MS-MPCV	
File:	SYSTEM POWER	
Created Date:	Page:	1
Modify Date:	Page:	1



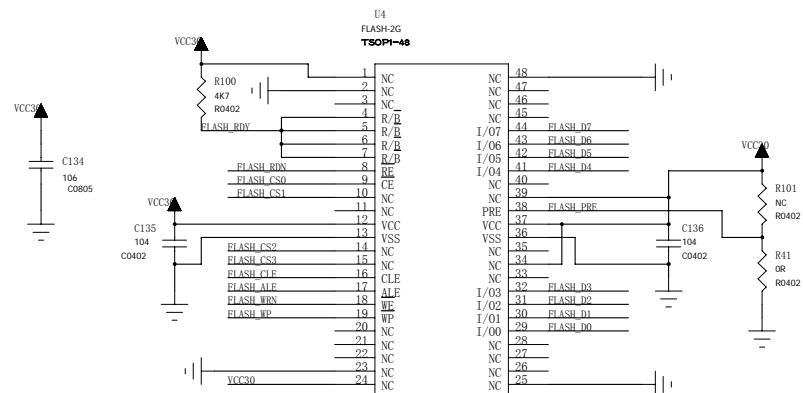
MSI		
Title: MS-N7Y1		
File: USB_HOST/RTC/VIB		REV: 0.1
Create Date:	Page Num: 4	
Modify Date: Tuesday, December 14, 2010	Page Total: 12	



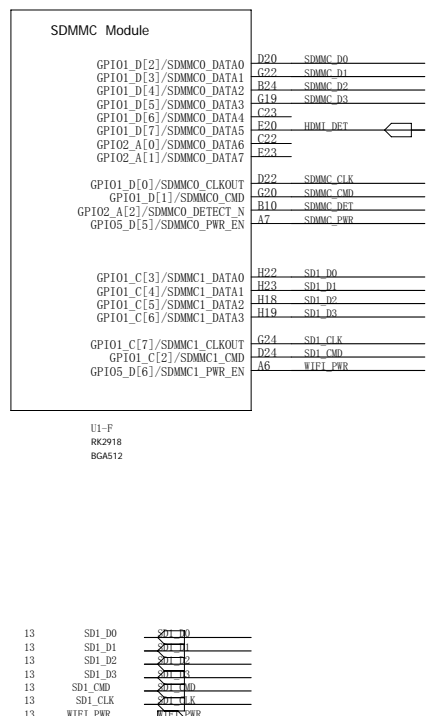
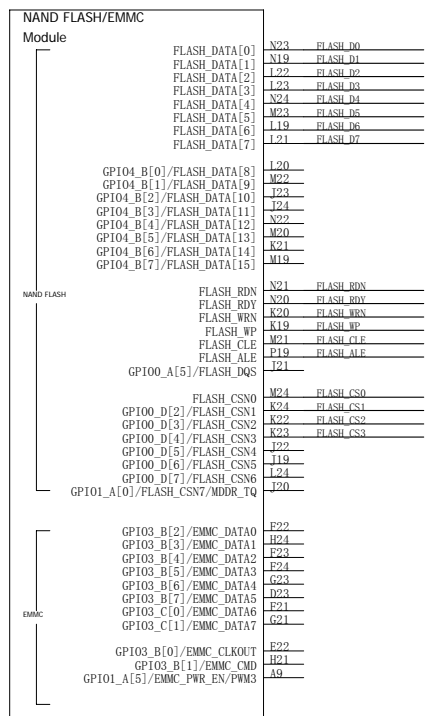
RK2918-L



MSI	
Title:	MS-N7Y1
File:	DDR2@DDR3
Create Date:	Page Num: 6
Modify Date:	Page Total: 12

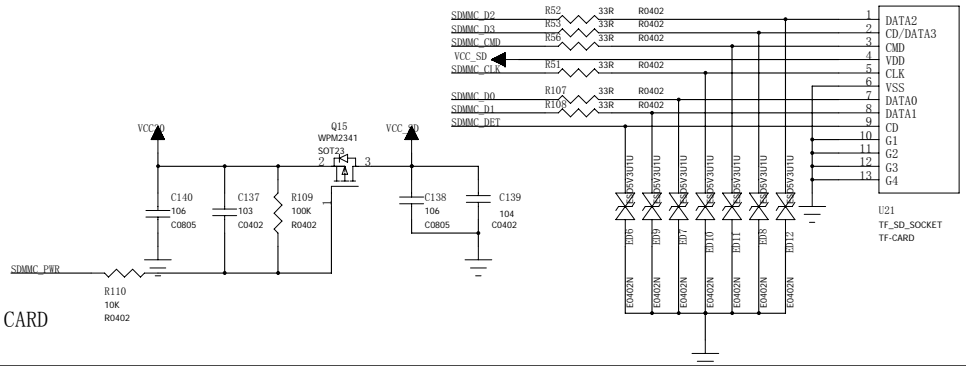


THE 1st FLASH



10
11
3

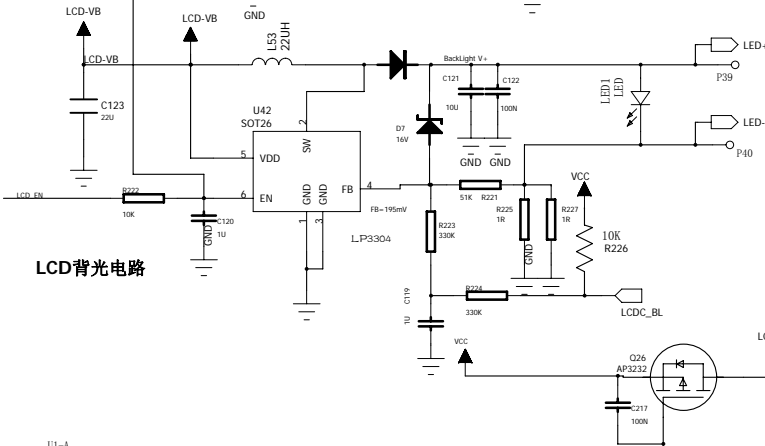
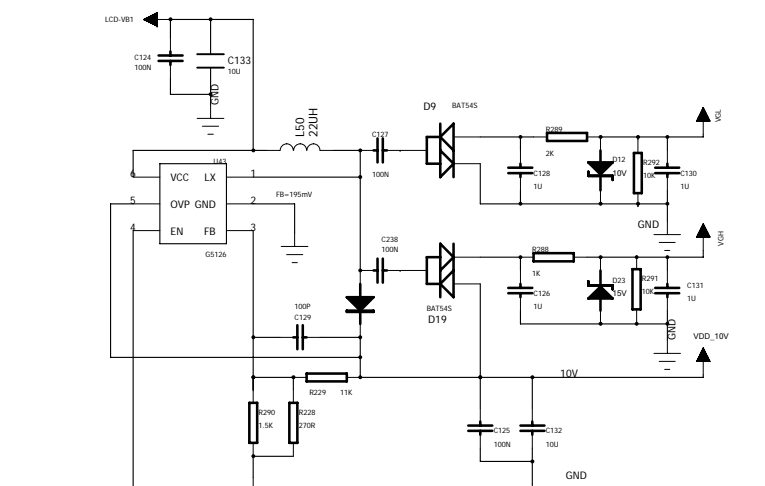
SD CARD



RK2918-E

RK2918-F

MSI	
Title: MS-N7Y1	
File: MEMORY	
Create Date:	Page Num: 7
Modify Date: Saturday, April 23, 2011	Page Total: 12

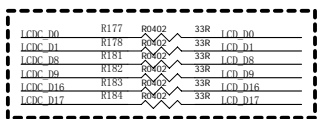
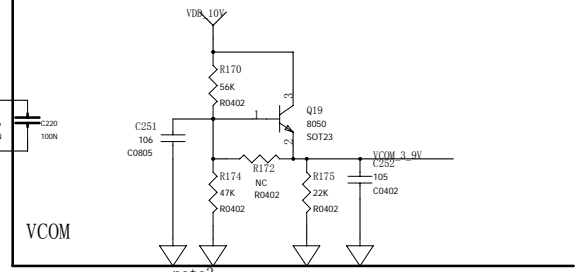
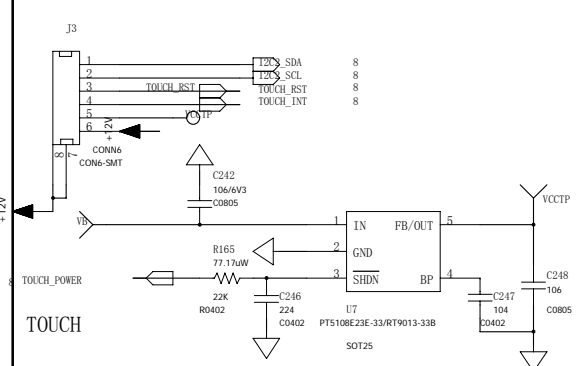
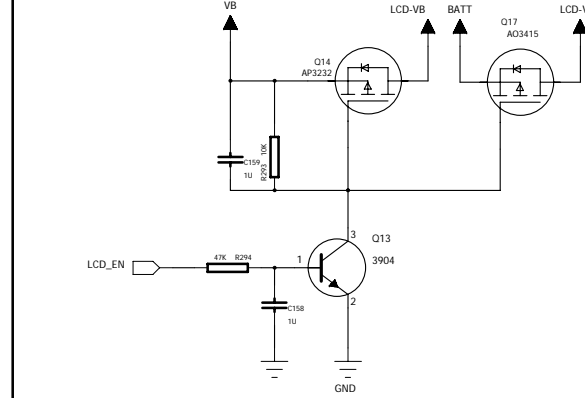


UI-A

LCDC Module	LCDC_BYP	R6
LCDC_DCLK/EBC_SDCLK	AA12	LCDC_CLK
LCDC_DEV/EBC_GDCLK	Y14	LCDC_DE
LCDC_HSYNC/EBC_SDLE	W11	LCDC_HSYNC
LCDC_VSYNC/EBC_SDOE	AB13	LCDC_VSYNC
LCDC_DATA[23]/EBC_GDRL	W12	LCDC_D23
LCDC_DATA[22]/EBC_GDSP	W13	LCDC_D22
LCDC_DATA[21]/EBC_GD0E	W14	LCDC_D21
LCDC_DATA[20]/EBC_SDSHR	AA11	LCDC_D20
LCDC_DATA[19]/EBC_VCOM	Y13	LCDC_D19
LCDC_DATA[18]/EBC_GDPWR2	LCDC_D6	LCDC_D6
LCDC_DATA[17]/EBC_GDPWR1	Y11	LCDC_D15
LCDC_DATA[16]/EBC_GDPWR0	AD15	LCDC_D12
LCDC_DATA[15]/EBC_BORDER1	AC15	LCDC_D16
LCDC_DATA[14]/EBC_BORDER0	AB15	LCDC_D15
LCDC_DATA[13]/EBC_SDCES5	AD14	LCDC_D13
LCDC_DATA[12]/EBC_SDCES4	AD14	LCDC_D13
LCDC_DATA[11]/EBC_SDCES3	LCDC_D15	LCDC_D15
LCDC_DATA[10]/EBC_SDCES2	AD14	LCDC_D12
LCDC_DATA[9]/EBC_SDCES1	Y12	LCDC_D9
LCDC_DATA[8]/EBC_SDCES0	AD13	LCDC_D8
LCDC_DATA[7]/EBC_SDD0[7]	AC13	LCDC_D7
LCDC_DATA[6]/EBC_SDD0[6]	AD12	LCDC_D6
LCDC_DATA[5]/EBC_SDD0[5]	AB11	LCDC_D5
LCDC_DATA[4]/EBC_SDD0[4]	AD12	LCDC_D6
LCDC_DATA[3]/EBC_SDD0[3]	LCDC_D23	LCDC_D23
LCDC_DATA[2]/EBC_SDD0[2]	AD11	LCDC_D5
LCDC_DATA[1]/EBC_SDD0[1]	AC11	LCDC_D1
LCDC_DATA[0]/EBC_SDD0[0]	W10	LCDC_D0

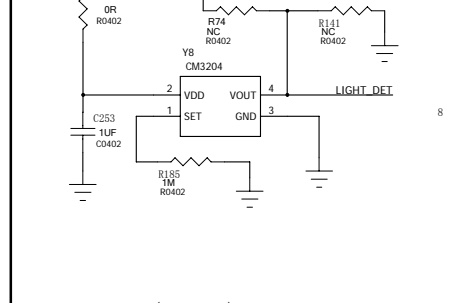
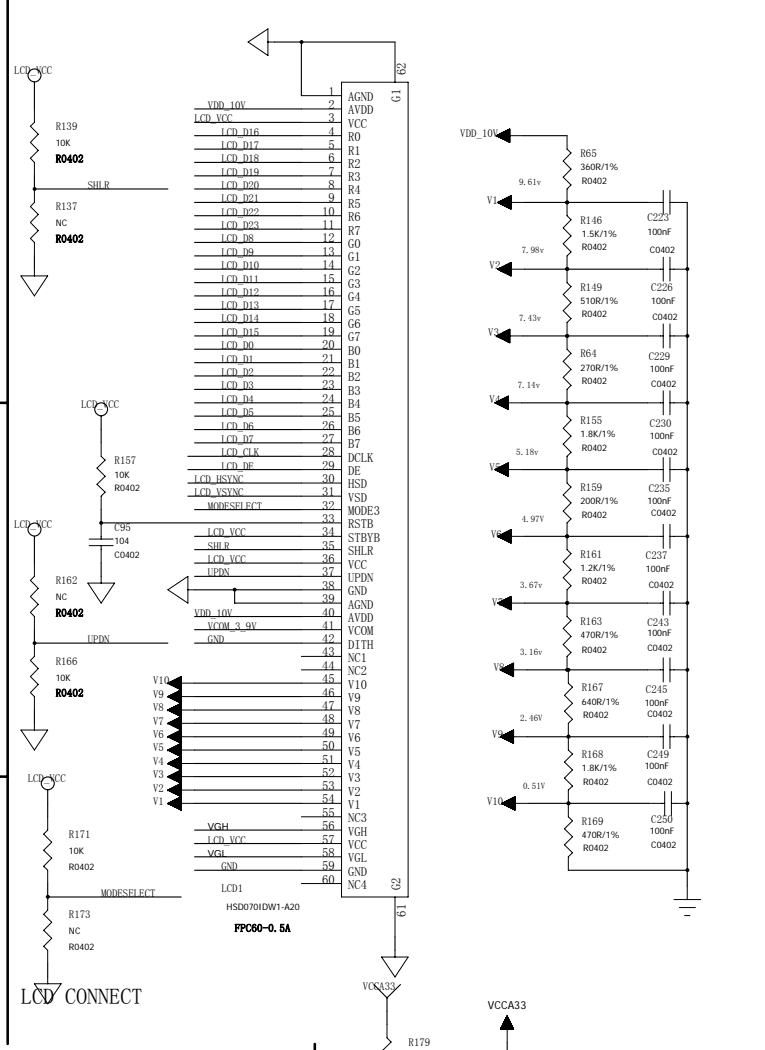
NOTE: Please play this resistor close to node!

LCDC_D2	R176	R0402	33R	LCDC_D2
LCDC_D3	R180	R0402	33R	LCDC_D3
LCDC_D4	R282	R0402	33R	LCDC_D4
LCDC_D5	R281	R0402	33R	LCDC_D5
LCDC_D6	R279	R0402	33R	LCDC_D6
LCDC_D7	R278	R0402	33R	LCDC_D7
LCDC_D8	R277	R0402	33R	LCDC_D8
LCDC_D9	R276	R0402	33R	LCDC_D9
LCDC_D10	R275	R0402	33R	LCDC_D10
LCDC_D11	R274	R0402	33R	LCDC_D11
LCDC_D12	R273	R0402	33R	LCDC_D12
LCDC_D13	R272	R0402	33R	LCDC_D13
LCDC_D14	R271	R0402	33R	LCDC_D14
LCDC_D15	R270	R0402	33R	LCDC_D15
LCDC_D16	R269	R0402	33R	LCDC_D16
LCDC_D17	R268	R0402	33R	LCDC_D17
LCDC_D18	R267	R0402	33R	LCDC_D18
LCDC_D19	R266	R0402	33R	LCDC_D19
LCDC_D20	R265	R0402	33R	LCDC_D20
LCDC_D21	R264	R0402	33R	LCDC_D21
LCDC_D22	R263	R0402	33R	LCDC_D22
LCDC_D23	R262	R0402	33R	LCDC_D23
LCDC_HSYNC	R261	R0402	NC/33R	LCDC_HSYNC
LCDC_VSYNC	R260	R0402	NC/33R	LCDC_VSYNC
LCDC_DE	R259	R0402	33R	LCDC_DE
LCDC_CLK	R187	R0402	33R	LCDC_CLK



Correspondence between LCDC DATA and RGB

LCDC_D0	B0	LCDC_D12	G4
LCDC_D1	B1	LCDC_D13	G5
LCDC_D2	B2	LCDC_D14	G6
LCDC_D3	B3	LCDC_D15	G7
LCDC_D4	B4	LCDC_D16	R0
LCDC_D5	B5	LCDC_D17	R1
LCDC_D6	B6	LCDC_D18	R2
LCDC_D7	B7	LCDC_D19	R3
LCDC_D8	G0	LCDC_D20	R4
LCDC_D9	G1	LCDC_D21	R5
LCDC_D10	G2	LCDC_D22	R6
LCDC_D11	G3	LCDC_D23	R7

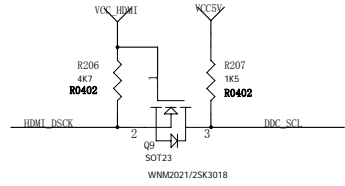


LIGHT SENSOR (OPTION)

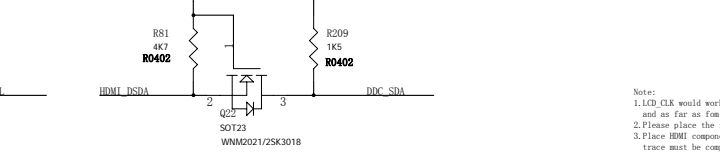
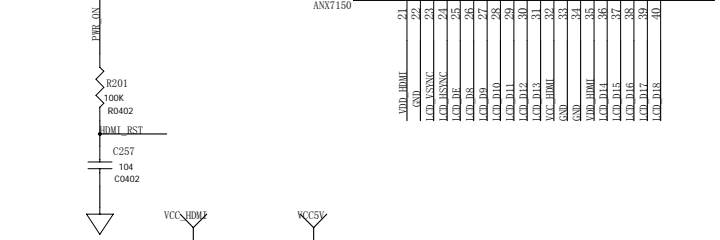
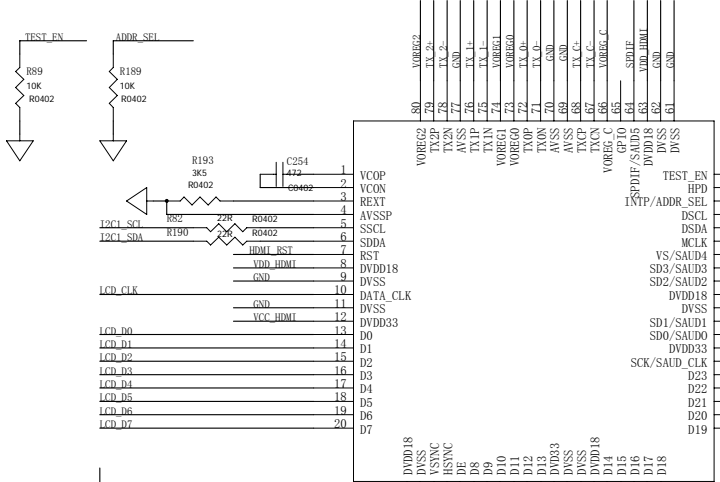
Title:	MS-N7Y1
File:	LCD/TUOCH
Create Date:	Page Num: 8
Modify Date:	Friday, June 03, 2011
	Page Total: 12

LCD_HSVC	TCDSVNC	10
LCD_VSVC	TCDSVNC	10
LCD_CLK	TCDSXK	10
LCD_DE	TCDSXE	10
LCD_D23	TCDS23	10
LCD_D22	TCDS22	10
LCD_D21	TCDS21	10
LCD_D20	TCDS20	10
LCD_D19	TCDS19	10
LCD_D18	TCDS18	10
LCD_D17	TCDS17	10
LCD_D16	TCDS16	10
LCD_D15	TCDS15	10
LCD_D14	TCDS14	10
LCD_D13	TCDS13	10
LCD_D12	TCDS12	10
LCD_D11	TCDS11	10
LCD_D10	TCDS10	10
LCD_D9	TCDS9	10
LCD_D8	TCDS8	10
LCD_D7	TCDS7	10
LCD_D6	TCDS6	10
LCD_D5	TCDS5	10
LCD_D4	TCDS4	10
LCD_D3	TCDS3	10
LCD_D2	TCDS2	10
LCD_D1	TCDS1	10
LCD_D0	TCDS0	10
1250_SD00	1250SD00	8, 9
1250_SD01	1250SD01	8
1250_SD02	1250SD02	8
1250_SD03	1250SD03	8
1250_SD1	1250SD1	8, 9
1250_CLK	1250CLK	8, 9
1250_SCLK	1250SCLK	8, 9
1250_LRCK_TX0	1250LRCK_TX0	8, 9

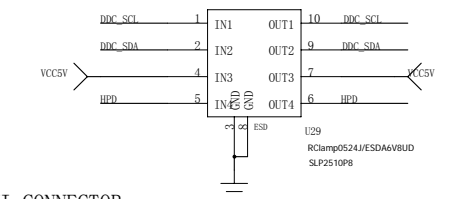
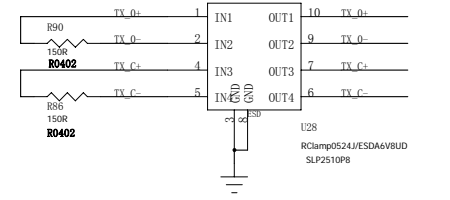
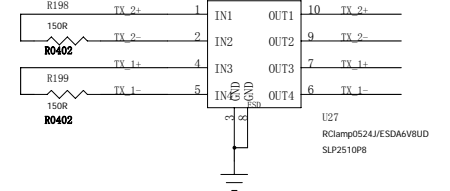
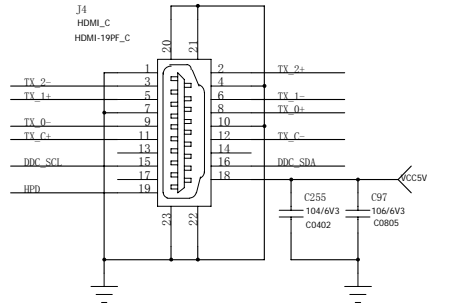
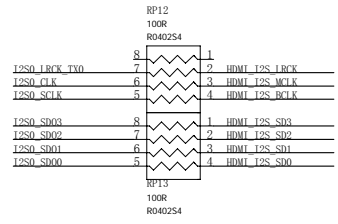
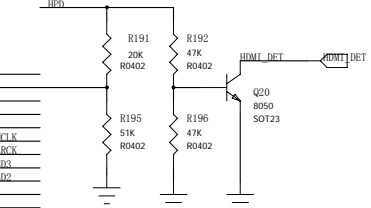
SPDIF	SPDIF	8
PWR_ON	PWR_ON	3, 5, 8
12C1_SCL	12C1_SCL	8, 12
12C1_SDA	12C1_SDA	8, 12



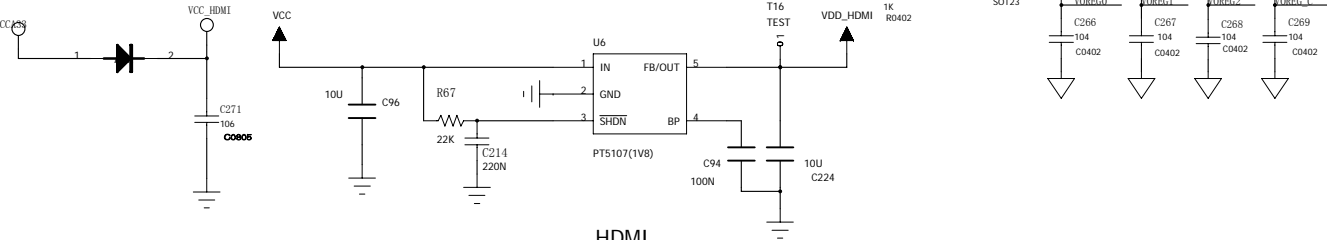
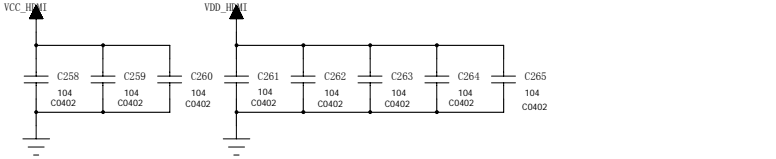
HDMI IC



- Notes:
- LCD_CLK would work up to 148MHz. Please pay attention to shielding, and as far as from other trace.
 - Please place the filter capacitor as close to the ANX7150's power pin as possible.
 - Place HDMI components as close to HDMI interface as possible. The differential trace must be complied with requirements of the Wiring Regulations. Requirements 50R impedance.
 - ESD components must be as close to the HDMI socket as possible: The equivalent capacitance is not greater than 5pF.



HDMI CONNECTOR

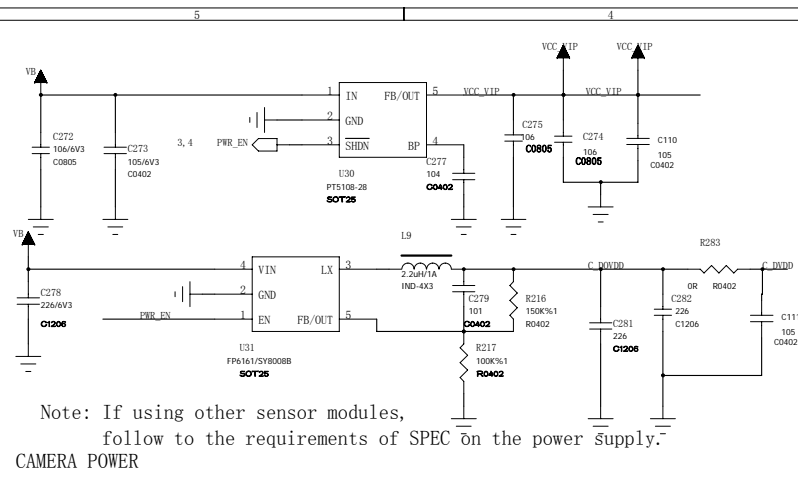


NOTE: The Vgs of MOS must less than 1.5V.

HDMI POWER/FILTER

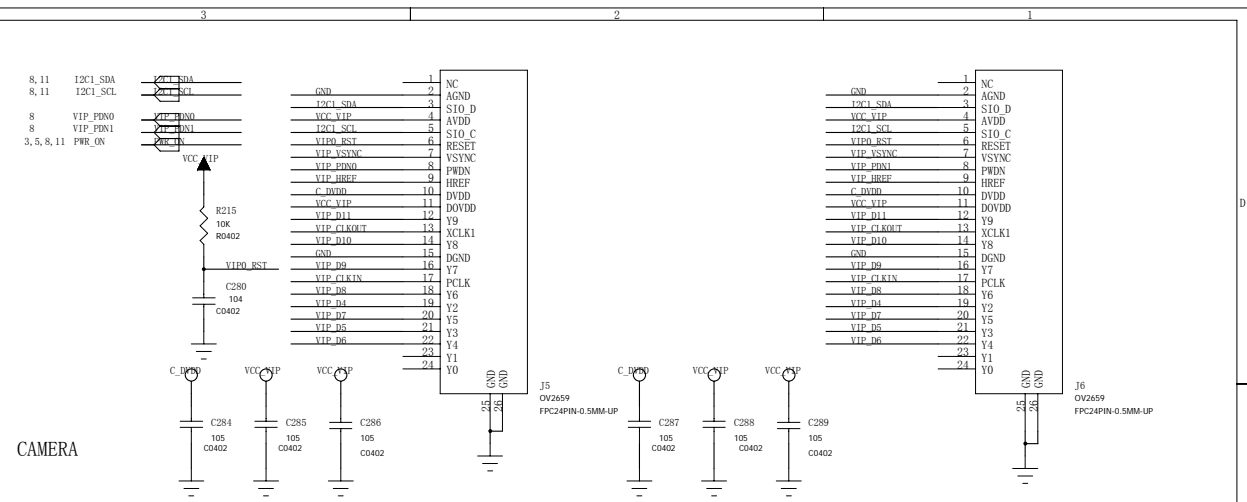
HDMI

MSI	
Title: MS-N7Y1	
File: HDMI	REV:
Create Date:	Page Num: 9
Modify Date: Friday, June 03, 2011	Page Total: 12

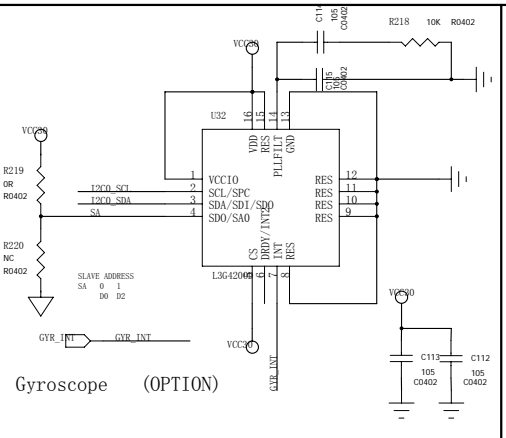


Note: If using other sensor modules, follow to the requirements of SPEC on the power supply.

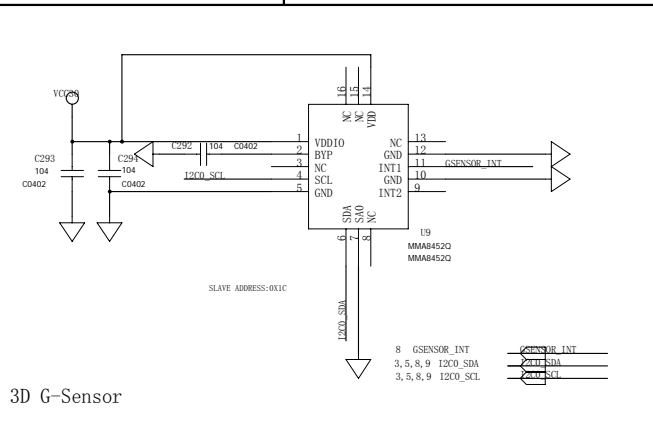
CAMERA POWER



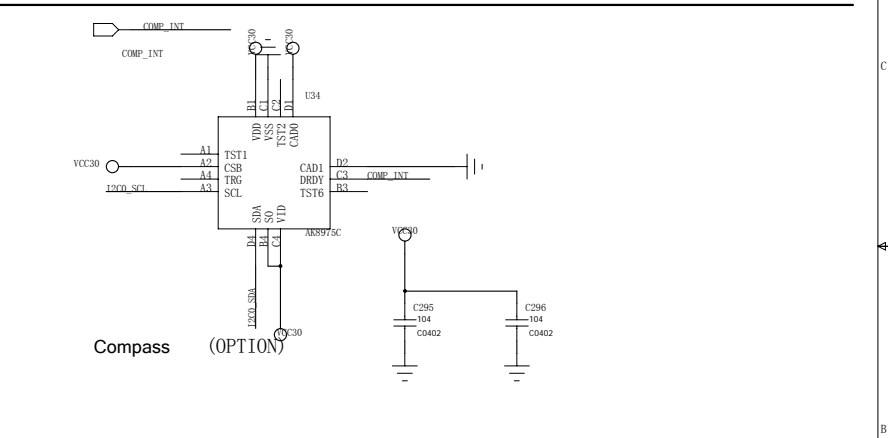
CAMERA



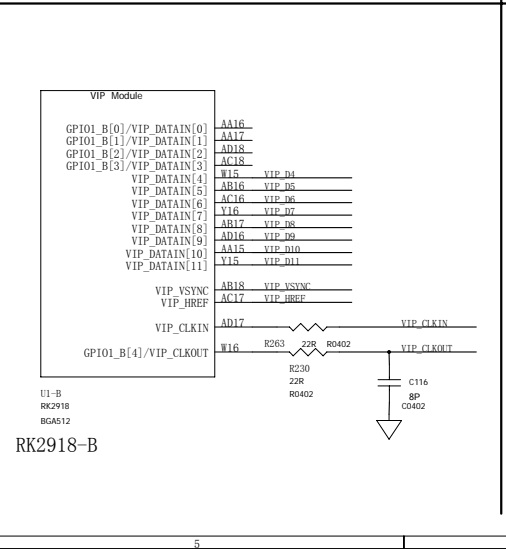
Gyroscope (OPTION)



3D G-Sensor

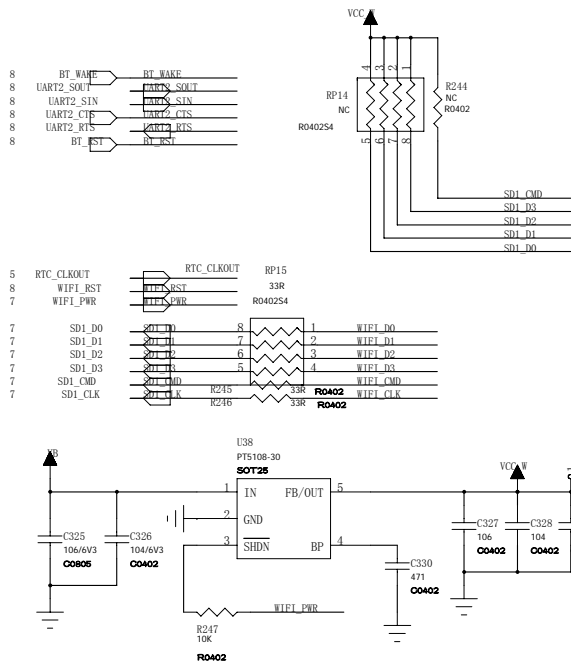


Compass (OPTION)

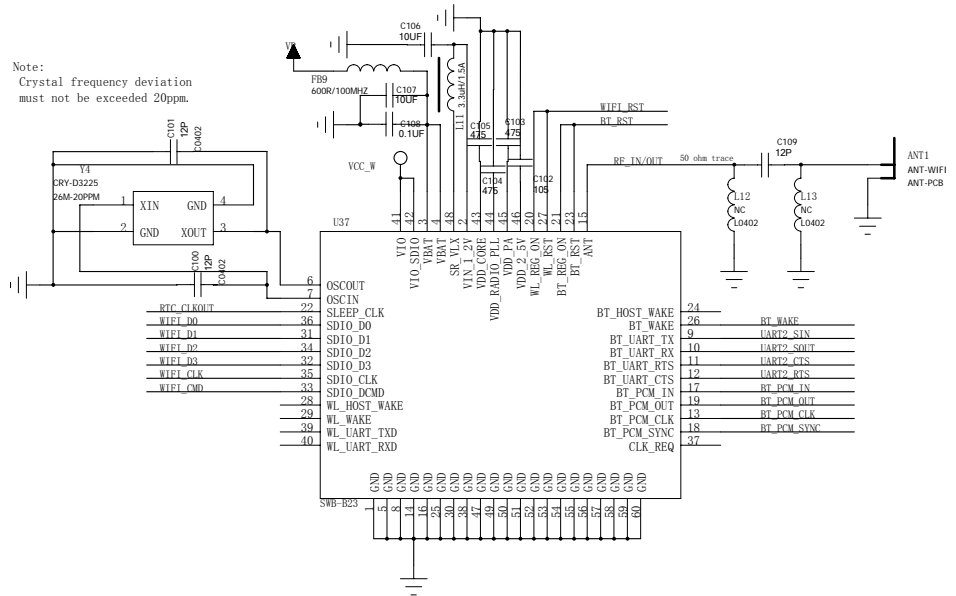


RK2918-B

MSI	
Title:	MS-N7Y1
File:	CAMERA/G_SENSOR/KEY/IR/COMP rev:
Create Date:	Page Num: 10
Modify Date: Thursday, June 02, 2011	Page Total: 12

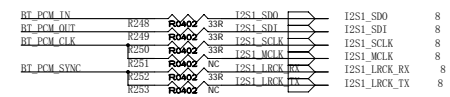


WiFi+BT POWER



Note:
Crystal frequency deviation
must not be exceeded 20ppm.

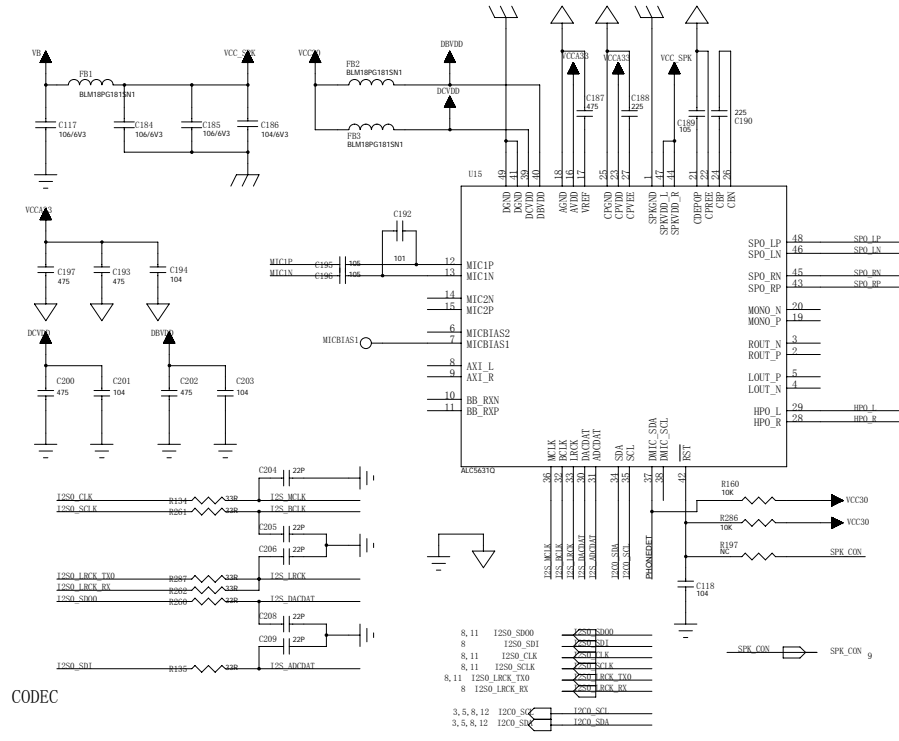
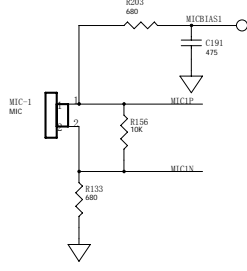
WiFi+BT MODULE



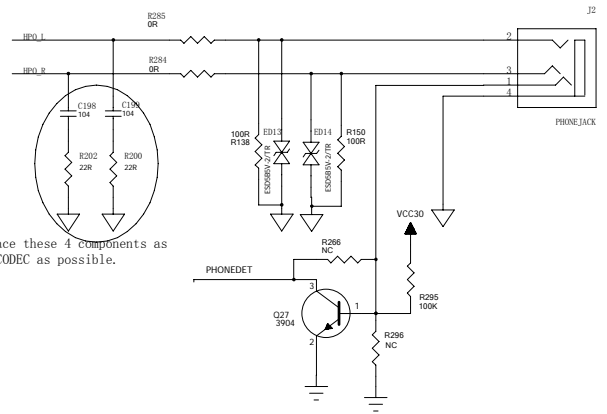
Note (For more suggestions, please refer to the SPEC of the wireless IC):

1. RF traces need 50R impedance .
2. Wireless's components need to add some magnetic shield, the whole other devices also require rigorous screening.
(Such as DDR and master, diverted to the outer shielding shell alignment inner need to go out after the series resistor to reduce interference.)
3. Wireless's antenna must be as far from other devices as possible and have a clearance zone around the antenna.
4. Wireless's antenna must be select a large area material, and placed on the top of the board, and try to rely on the same layer.
5. Under of RF alignment do not have any power traces or any data traces .

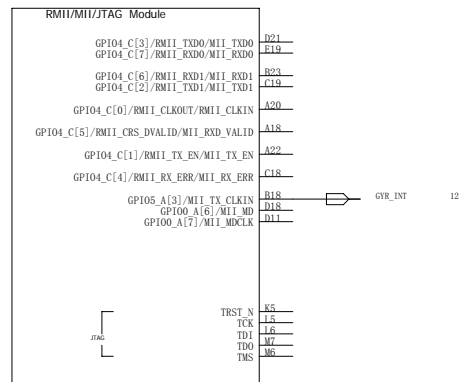
MSI	
Title: MS-N7Y1	
File: WIFI	REV:
Create Date:	Page Num: 11
Modify Date: Thursday, June 02, 2011	Page Total: 12



CODEC



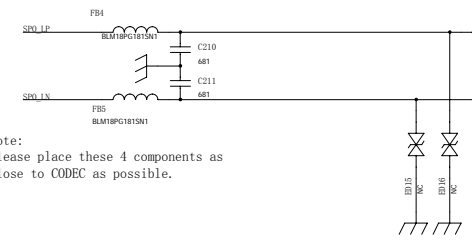
HEADPHONE



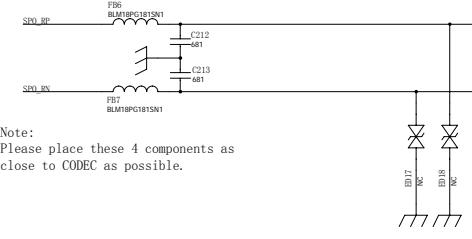
U1-G
RK2918
RGAS12

RK2918-G

Audio AMP



Note:
Please place these 4 components as close to CODEC as possible.



Note:
Please place these 4 components as close to CODEC as possible.

MSI	
Title: MS-N7Y1	
File: AUDIO	
Create Date:	Page Num: 12
Modify Date: Wednesday, May 25, 2011	Page Total: 12

www.s-manuals.com