

VANGUARD Series 36" Belt Drive Fans

Installation & Operator's Instruction Manual



MV1600-1C 999



1625-003 2/2000

Chore-Time Warranty

Chore-Time Equipment ("Chore-Time") warrants each new Chore-Time product manufactured by it to be free from defects in material or workmanship for one year from and after the date of initial installation by or for the original purchaser. If such a defect is found by the Manufacturer to exist within the one-year period, the Manufacturer will, at its option, (a) repair or replace such product free of charge, F.O.B. the factory of manufacture, or (b) refund to the original purchaser the original purchase price, in lieu of such repair or replacement. Labor costs associated with the replacement or repair of the product are not covered by the Manufacturer.

Conditions and Limitations

1. The product must be installed by and operated in accordance with the instructions published by the **Manufacturer or Warranty will be void.**
2. Warranty is void if **all components** of the system are not original equipment supplied by the **Manufacturer.**
3. This product must be purchased from and installed by an authorized distributor or certified representative thereof or the Warranty will be void.
4. Malfunctions or failure resulting from misuse, abuse, negligence, alteration, accident, or lack of proper maintenance shall not be considered defects under the Warranty.
5. This Warranty applies only to systems for the care of poultry and livestock. Other applications in industry or commerce are not covered by this Warranty.

The **Manufacturer** shall not be liable for any **Consequential or Special Damage** which any purchaser may suffer or claim to suffer as a result of any defect in the product. **"Consequential"** or **"Special Damages"** as used herein include, but are not limited to, lost or damaged products or goods, costs of transportation, lost sales, lost orders, lost income, increased overhead, labor and incidental costs and operational inefficiencies.

THIS WARRANTY CONSTITUTES THE MANUFACTURER'S ENTIRE AND SOLE WARRANTY AND THIS MANUFACTURERE EXPRESSLY DISCLAIMS ANY AND ALL OTHER WARRANTIES, INCLUDING, BUT NOT LIMITED TO, EXPRESS AND IMPLIED WARRANTIES AS TO MERCHANTABILITY, FITNESS FOR PARTICULAR PURPOSES SOLD AND DESCRIPTION OR QUALITY OF THE PRODUCT FURNISHED HEREUNDER.

Chore-Time Distributors are not authorized to modify or extend the terms and conditions of this Warranty in any manner or to offer or grant any other warranties for Chore-Time products in addition to those terms expressly stated above. An officer of CTB, Inc. must authorize any exceptions to this Warranty in writing. The Manufacturer reserves the right to change models and specifications at any time without notice or obligation to improve previous models.

Effective: **December 2000**

Chore-Time Equipment
A Division of CTB, Inc.
P.O. Box 2000 • Milford, Indiana 46542-2000 • U.S.A.
Phone (219) 6584101 • Fax (219) 658-4171
Email: ctb@ctbinc.com • Internet: <http://www.ctbinc.com>

Contents

Topic	Page	User
Chore-Time Warranty	2	C,D
Distributor and Installer Information	4	
About This Manual	5	C,D,I
Safety Information	5	C,D,I
Safety–Alert Symbol	5	
Understanding Signal Words	5	
Follow Safety Instructions	6	
Decal Descriptions	6	
Decal Placement	6	
Technical Information	7	I
Tools Required	7	
Fan Installation	8	C,I
Fan Dimensions	9	C,D,I
Fan Assembly	10	C,I
Cone Assembly	11	C,I
Grill Installation	12	
Shutter Installation and Part Numbers	14	C,I
Motor Installation	15	C
Sheave Mounting	16	
Belt Alignment	17	
Motor Specifications	18	C
Maintenance	19	C
48" Belt Drive Part Numbers	21	C
Cone and Slant Wall Versions	21	
Deep Box and Panel Fan Versions	22	
Itemized Parts	23	C

The Chore-Time 36" Vanguard Series fans are designed to be used as exhaust and/or circulation fans. The Fans are shipped assembled. Using this equipment for any other purpose or in a way not within the operating recommendations specified in this manual will void the warranty and may cause personal injury.

This manual is designed to provide comprehensive planning, installation, safety, operation, and parts listing information. The Table of Contents provides a convenient overview of the information in this manual. The Table of Contents also specifies which pages contain information for the sales personnel, installer, and consumer (end user).

Distributor and Installer Information

Please fill in the following information about your Product.
Keep this manual in a clean, dry place for future reference.

Distributor's Name _____

Distributor's Address _____

Distributor's Phone _____ **Date of Purchase** _____

Installer's Name _____

Installer's Address _____

Installer's Phone _____ **Date of Installation** _____

System Specifications _____

About This Manual

The intent of this manual is to help you in two ways. One is to follow step-by-step in the order of assembly of your product. The other way is for easy reference if you have questions in a particular area.

Important ! Read ALL instructions carefully before starting construction.

Important ! Pay particular attention to all SAFETY information.

- *Metric measurements are shown in millimeters and in brackets, unless otherwise specified. “ ” equals inches and “ ’ ” equals feet in English measurements.*

Examples:

1" [25.4]

4' [1 219]

- Optional equipment contains necessary instructions for assembly or operation.
- Major changes from the last printing will be listed on the back cover.
- This Planning Symbol is used in areas where planning needs to take place before construction continues.
- Very small numbers near an illustration (*i.e.*, 1257-48) are identification of the graphic, not a part number.



Safety Information

Caution, Warning and Danger Decals have been placed on the equipment to warn of potentially dangerous situations. Care should be taken to keep this information intact and easy to read at all times. Replace missing or damaged safety decals immediately.

Using the equipment for purposes other than specified in this manual may cause personal injury and/or damage to the equipment.



Safety–Alert Symbol

This is a safety–alert symbol. When you see this symbol on your equipment, be alert to the potential for personal injury. This equipment is designed to be installed and operated as safely as possible...however, hazards do exist.

Understanding Signal Words

Signal words are used in conjunction with the safety–alert symbol to identify the severity of the warning.



DANGER indicates an imminently hazardous situation which, if not avoided, **WILL** result in death or serious injury.



WARNING indicates a potentially hazardous situation which, if not avoided, **COULD** result in death or serious injury.



CAUTION indicates a hazardous situation which, if not avoided, **MAY** result in minor or moderate injury.

Follow Safety Instructions

Carefully read all safety messages in this manual and on your equipment safety signs. Follow recommended precautions and safe operating practices.

Keep safety signs in good condition. Replace missing or damaged safety signs.

Decal Descriptions

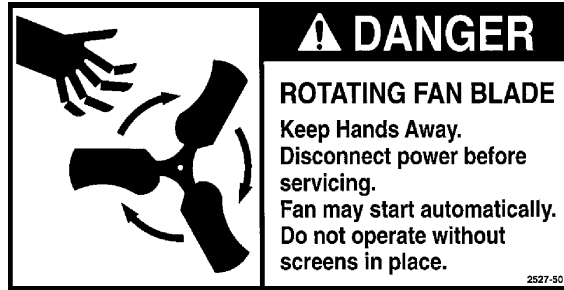


Figure 1. Danger Decal Part Number 2527-50

DANGER: Rotating Fan Blade (Part Number 2527-50)

- This Decal is placed on both sides of the shroud.
- Keep hands away.
- Disconnect power before servicing.
- The Fan may start automatically.
- **Do not operate the Fan without the screens in place.**

Disregard to the above mentioned **DANGER** will cause serious injury including death.

Decal Placement

This diagram shows the proper location of the safety decal “**DANGER—ROTATING FAN BLADE**” as shipped from the factory.

- Keep all Safety Signs and decals in good condition.
- Replace damaged or missing decals.
- Make sure the decals may be seen at all times.

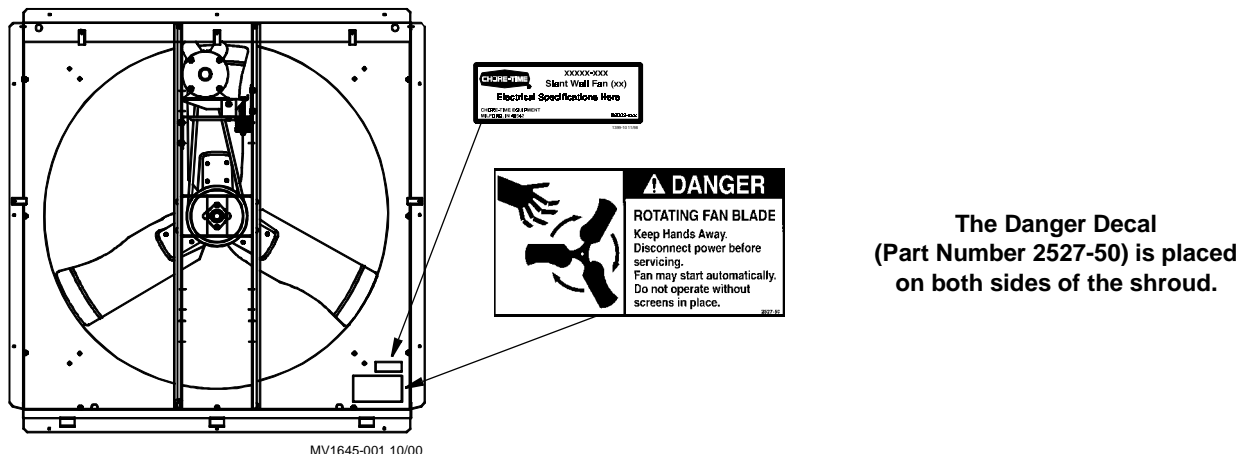


Figure 2. Decal Placement

Technical Information

Motor choices and specifications are provided in the Parts List section of this manual. See **Page 18** Fan Motor specifications.

Important! **Chore-Time Equipment strongly recommends that a good alarm system should be installed in confinement buildings to warn of power failure and high temperature.**

Chore-Time Equipment also recommends that an alternate power source be available for confinement buildings in case of power failure.

Wiring: See wiring diagram on Motor for Motor Electrical Specifications. Chore-Time Equipment recommends that you follow local, state and national electric codes for wiring.

Tools Required

- Regular Screwdriver
- Hammer
- 1/2" Open End Wrench or Socket Wrench with 1/2" Socket
- Wire Cutters & Strippers
- Adequate Size & Quantity of Electrical Wire
- 5/16" Hex Key Wrench
- 5/16" Open End Wrench or a 12 Point 3/8" Socket and Ratchet

Fan Installation

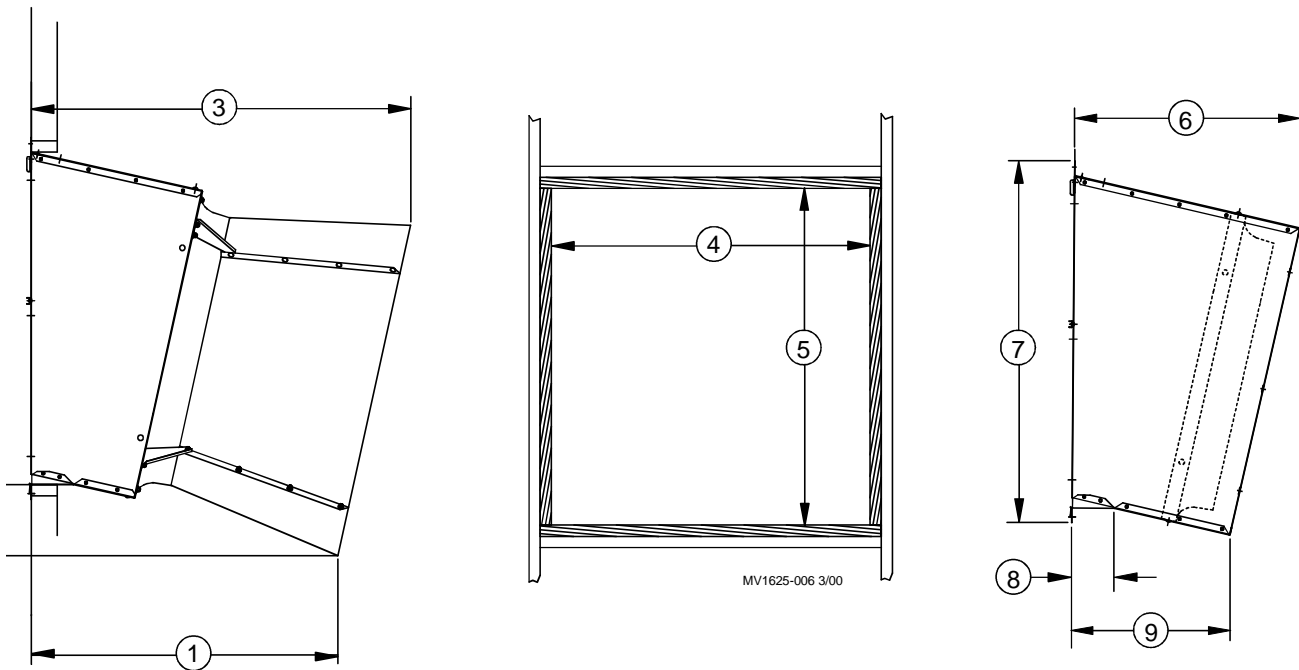
Important! The 36" Cone and Slant Wall Fan must be installed in a wall. The Box and Panel Fan may be installed in a wall or suspended from the ceiling. (No Hardware supplied to complete these tasks)

Build Fan framing out of 2" [50 mm] lumber (not supplied). The required rough opening is provided in the table below. Allow a minimum 4" spacing between framed openings for adjacent Cone Fan. Allowing a 4" spacing will provide clearance for the mounting flange. The Slant Wall and Box Fans can be mounted closer together, but do not overlap flanges.

Insert the Fan Assembly in the framed opening in the wall.

Center the Fan Assembly in the framed opening, left to right. Allow the Fan Housing to set on the bottom of the framed opening.

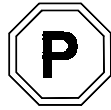
Secure the Fan Assembly to the framed opening, using the included 1/4" x 1-3/4" Lag Screws starting with the center holes in each panel. The end holes will also be used for attaching the Corner Flange Angles.



Item	Description	S/W & Cone Dimension	Box Fan Dimension
1	Bottom Length	41-3/8"	Not Applicable
2	Vertical Dim. of Cone	9-1/2"	Not Applicable
3	Top Depth	51-1/8"	Not Applicable
4	Rough Opening Width	43"	42-1/4"
5	Rough Opening Height	45"	42-1/4"
6	Top Depth	30-7/16"	21"
7	Height	48-3/8"	Not Applicable
8	Slant Dim.	5-3/4"	Not Applicable
9	Bottom Depth	21-5/16"	21"

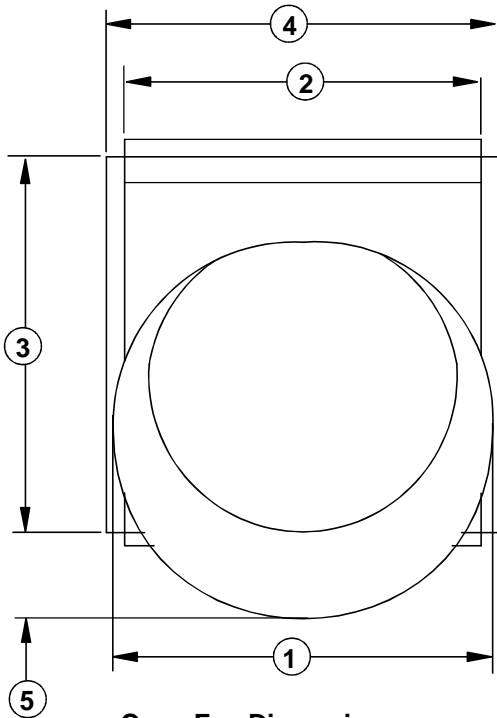
Figure 3. Fan Framing Dimensions

Fan Dimensions

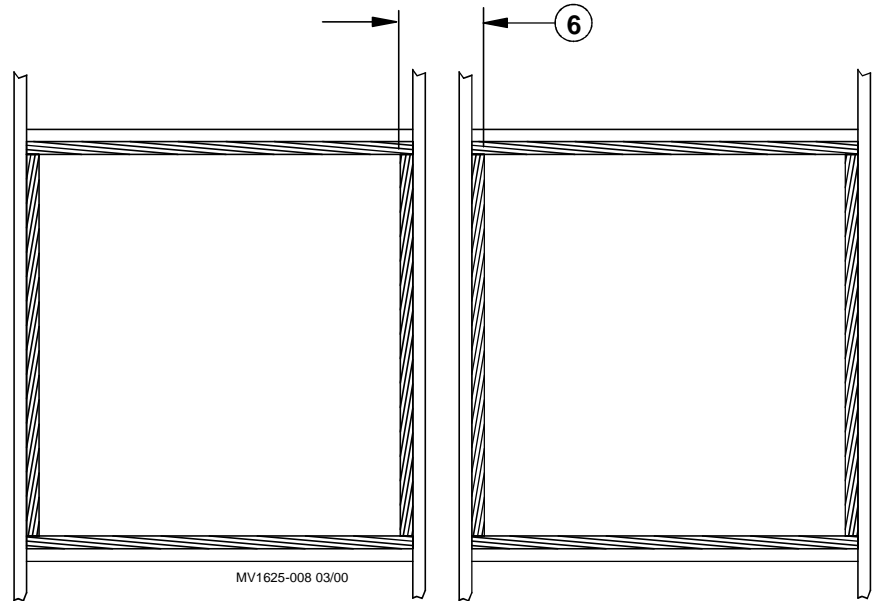


Planning the layout of the spacing between Cone Fans is very important. **SPACING TOO CLOSE TOGETHER WILL CAUSE DISTORTION** due to interference with the cones; thus, not allowing the fan to deliver optimum performance.

Allow a minimum 4" spacing between framed openings for adjacent Cone Fans.



Cone Fan Dimensions
(item 5, is for Cone Fans Only)



Spacing between framed openings 4"

Table 2. Fan Dimensions						
	1	2	3	4	5	6
36" BD Fans	45" [114.3 cm]	42" [106.68 cm]	44.375" [112.7 cm]	46" [116.84 cm]	10.156" [25.8 cm]	4" Min. Spacing [10.16 cm] Critical for Cone Fans

Figure 4. Slant Wall/Cone Fan spacing between framed openings.

Fan Assembly

Assemble the Corner Flange Angles in each corner of the Fan, by sliding the Corner Flange Angle under all edges of Flange Corners, secure with lag screws. The Slant Wall and Cone Fans are mounted the same way, as shown.

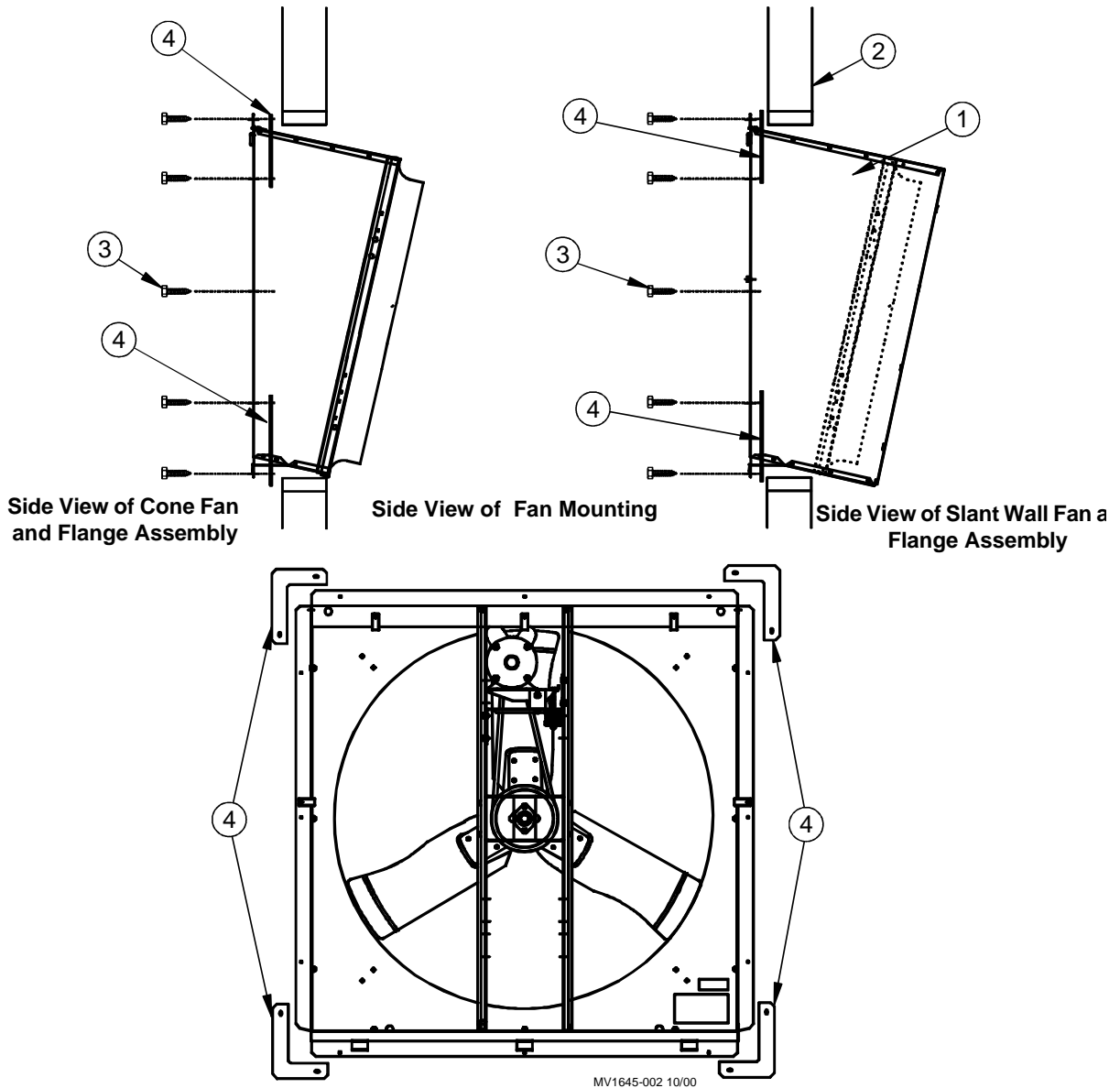


Figure 5. Corner Flange Angle Assembly

The Flange Angles are to be placed between the building and the Fan Flange

Item	Description
1	Fan Assembly
2	Side Wall of Building
3	1/4"x1-3/4" Lag Screw
4	Corner Flange Angles

Cone Assembly

The Cone must be assembled and installed in the field.

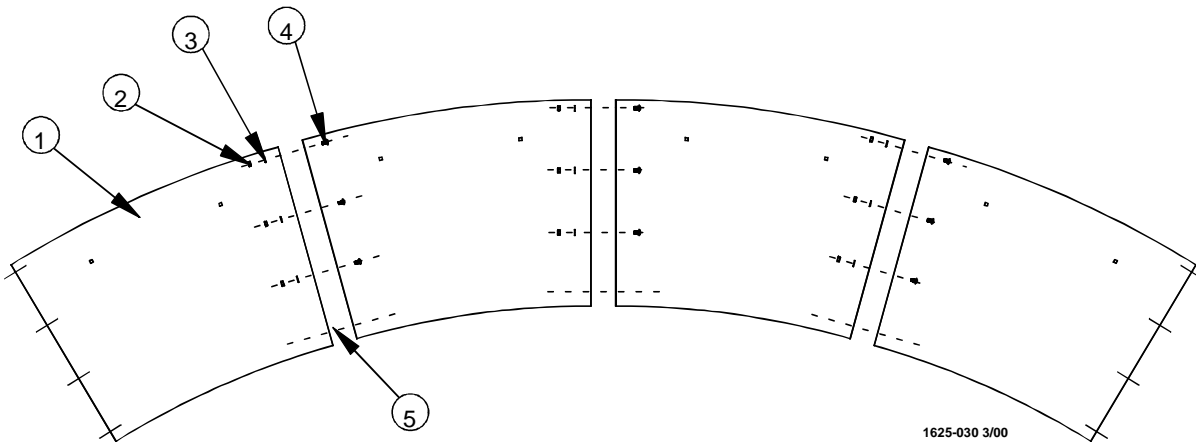
Important! The Fan must be installed in the wall before installing the Cone to the Fan.

Lay the Cone Panels, with the flanges up, on a flat surface, as shown in **Figure 6**.

Important! Do not fully tighten the hardware.

Loosely, fasten the Side Panels together with (3) 5/16-18 x 5/8" carriage bolts, (3) 3/8" lock washers, and (3) 5/16"-18 hex nuts per joint. Only install hardware at the locations shown in **Figure 6**.

Set the Cone Side Panels up and align the ends to create the cone shaped housing. **Loosely**, secure the ends similar to the other joints.



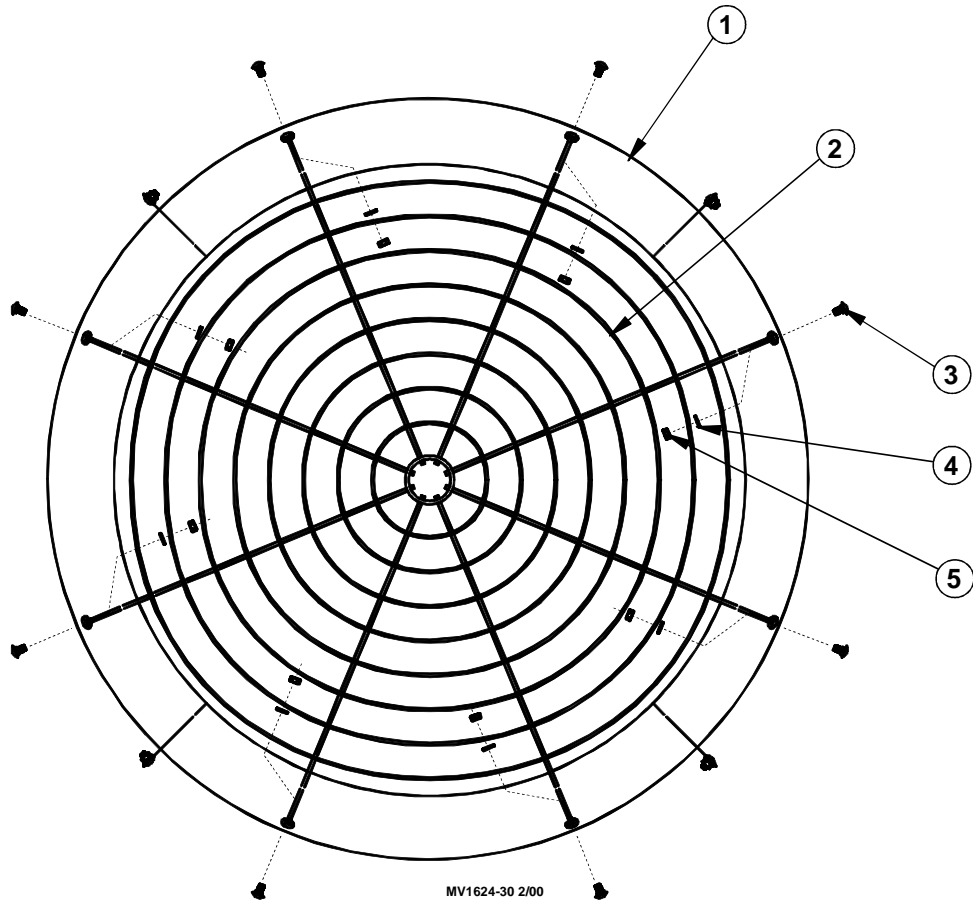
Cone Assembly		
Item	Description	Part Numbers
1	Cone Panel	37804
2	5/16-18" Hex Nut	2145
3	3/8" Lock Washer	5747
4	5/16-18 x 5/8" Carriage Bolt	8282
5	Do not install Hardware here.	39312

Figure 6. Cone Assembly (Top View)

Grill Installation

Notice: Position the Grill in the larger end of the Cone Assembly.
 Secure the Grill in place using the 5/16"-18 carriage bolts, 3/8" lock washers, and 5/16"-18 hex nuts. See Figure 7.

This will help maintain the shape of the Cone Assembly while it is being secured to the Fan Shroud.



Grill Installation		
Item	Description	Part Numbers
1	36" Fan Cone Kit	37936
2	Grill	37630
3	5/16-18" Hex Nut	2145
4	3/8" Lock Washer	5747
5	5/16-18 x 5/8" Carriage Bolt	8282

Figure 7. Grill Installation Diagram

Note: The flanges should be on the outside of the Cone. Secure each Cone Hanger Bracket to the Fan Shroud, using 5/16"-18 carriage bolts, 3/8" lock washers, and 5/16"-18 hex nuts. See Figure 8.

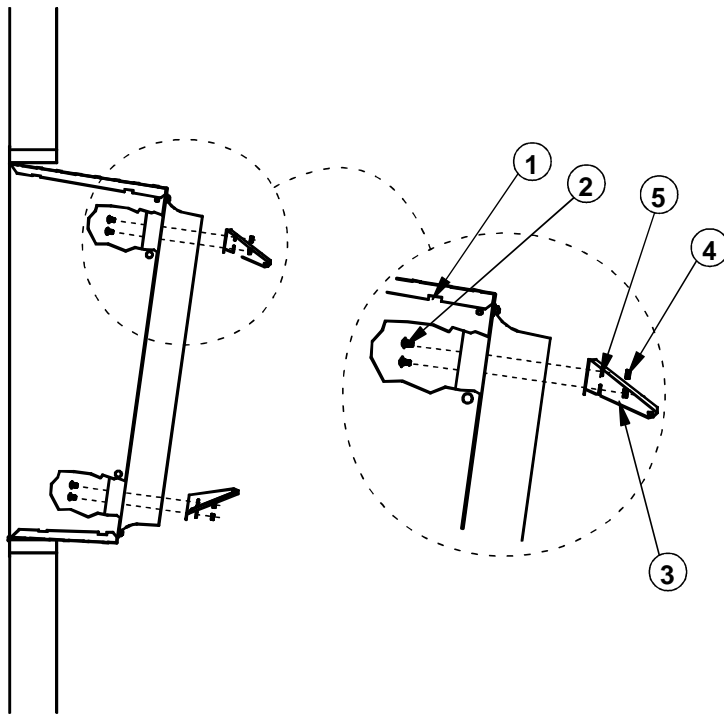


With the help of an assistant, lift the Cone Assembly to the Fan Shroud.

Slide the smaller end of the Cone Assembly over the Fan Shroud. Rotate the Cone Assembly to align the Panel Joints with the Cone Hanger Brackets.

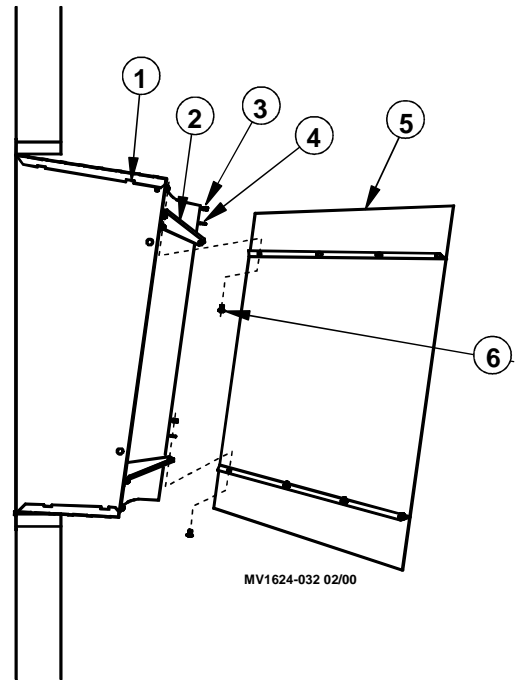
Secure the Cone Assembly to the Cone Hanger Brackets using (1) 5/16"-18 carriage bolt, 3/8" lock washer, and 5/16"-18 hex nut. See **Figure 8 and 9**.

Tighten all the hardware after the cone assembly is secure and in place.



Hanger Bracket Installation		
Item	Description	Part Number
1	Fan Assembly	46130-36XX
2	5/16-18 x 5/8" Carriage Bolt	8282
3	Cone Hanger Bracket	37806
4	5/16-18" Hex Nut	2145
5	3/8" Lock Washer	5747

Figure 8. Hanger Bracket Installation (Side View)



Cone Assembly		
Item	Description	Part Number
1	Fan Assembly	46130-36XX
2	Cone Hanger Bracket	37806
3	5/16-18" Hex Nut	2145
4	3/8" Lock Washer	5747
5	36" Fan Cone Kit	37935
6	5/16-18 x 5/8" Carriage Bolt	8282

Figure 9. Cone Installation (Side View).

Shutter Installation and Part Numbers

Plastic and Aluminum Shutters are available.

The Bottom Panel is designed with 2 tabs to hold either Shutter. **Shown in Figure 10.** Slide the bottom of the Shutter into position in the Bottom Panel Slots, lean the Shutter back and lock it in place by rotating the Shutter Clips. Check the Shutter for proper operation—the shutter must be able to open and close freely without obstructions.

Note: For both the Aluminum or Plastic Shutter, route the motor cord through the Knock-outs.

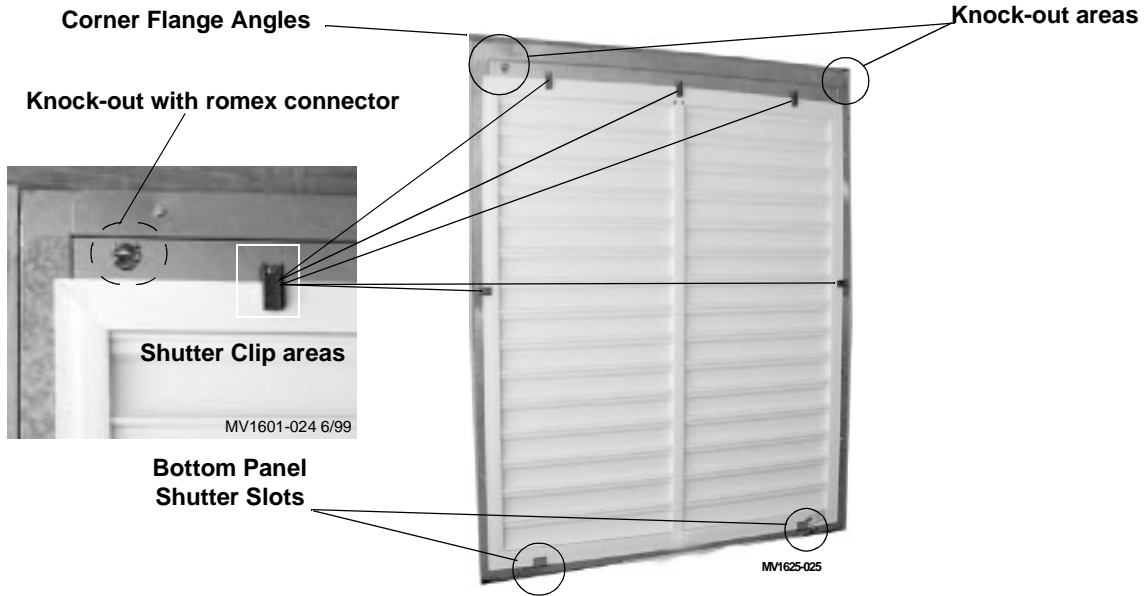
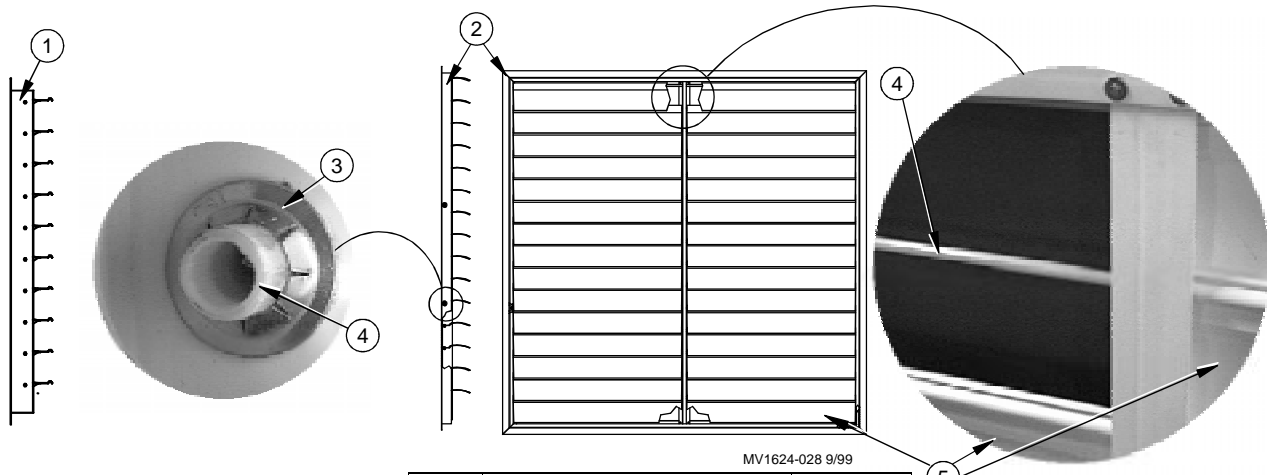


Figure 10. Shutter Placement Assembly

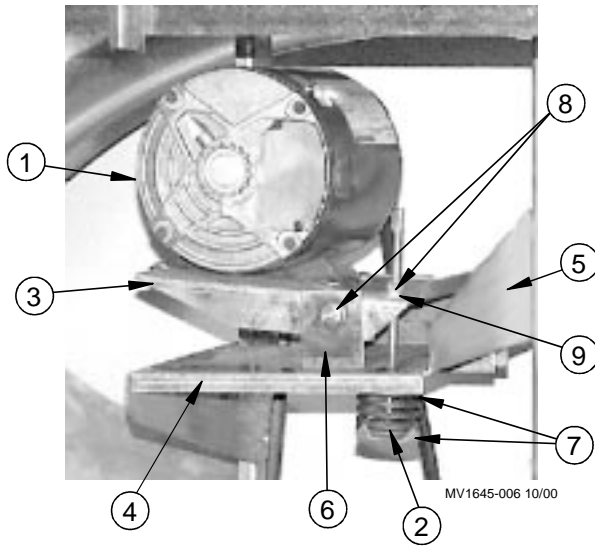


Item	Description	Part No.
1	Shutter Aluminum (complete)	38259
2	Shutter Plastic (complete)	38027
3	Push Nut 1/4"	38032
4	Shutter Rod Pivot	38702-2
5	Shutter Louver	38038-2

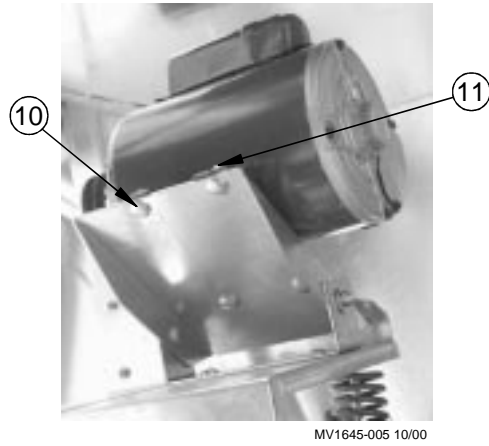
Figure 11. Plastic Shutter Parts

Motor Installation

Mount the Motor (**Item 1**) to the Pivot Motor Mount Plate (**Item 3**) by using the supplied 5/16-18 x .625" Carriage Bolt (**Item 10**) with the heads coming up from the bottom and a 5/16-18 Serrated Nut (**Item 11**) on top.



Rear View of Motor Installation.



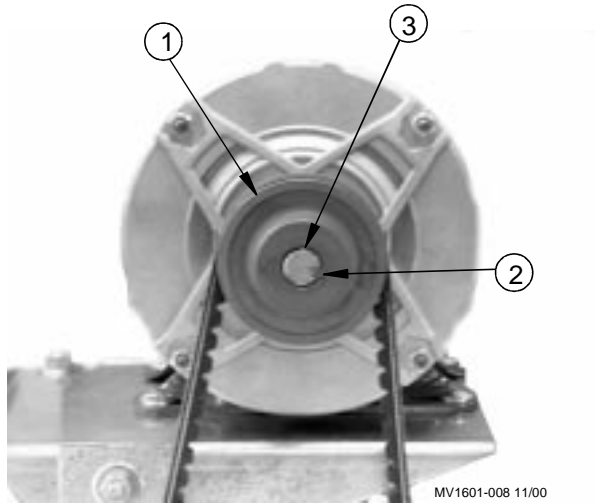
Motor position before putting Belt on Sheave and Pulley. Notice the bolt (Item 10) position.

Item	Description	Part Numbers
1	Motor Wiring Cover Plate	Motors Vary
2	Spring (Compress to 2-3/8")	43715
3	Pivot Motor Mount Plate	43713
4	Pivot Plate Mounting Bracket	46444
5	Z-Motor Mounting Bracket	46445
6	Bolt, 5/16-18 x 5.5"	4412-21
7	Spring Cap (2 pcs)	44002
8	5/16" Locking Hex Nut	2148
9	5/16" Flat Washer	546
10	5/16-18 x .625" Carriage Bolt	8282
11	5/16-18 Flange Nut	8490

Figure 12. Motor Installation

Sheave Mounting

Apply Anti Seize to Motor Shaft (**Item 3, Figure 13**). Slide the Sheave onto the motor shaft as shown. Insert the key provided with the motor as shown in **Figure 13**. to lock the Sheave in place. Once the belt has been aligned, torque the set screw to 150-165 in-lbs to secure Sheave in place. (Do not tighten set screw until the belt is aligned.)



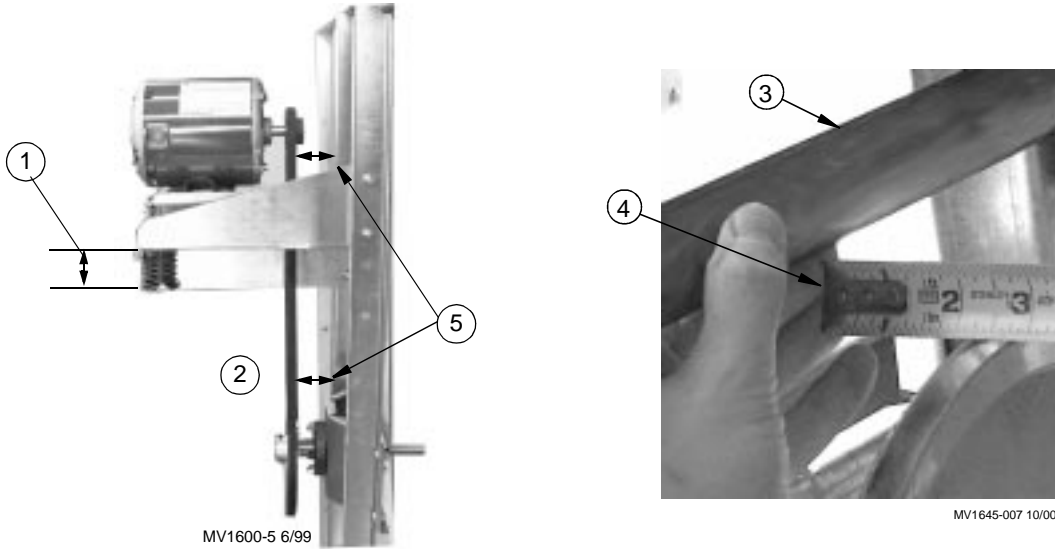
Item	Description
1	Sheave
2	Key
3	Anti-Seize

Figure 13. Sheave Mounting and Key Assembly.

Belt Alignment

Notice: Figure 12. indicates the proper items to check to insure best installation and Fan life.

- Belt must be vertical to obtain maximum belt life.
- Measure from a straight edge to the belt to make sure that there is equal distance. **See Figure 12.**
- The spring is to be compressed to 2-3/8".



Belt Alignment	
Item	Description
1	Spring Compression to 2-3/8".
2	Install Belt as shown.
3	Straight edge
4	Measure from straight edge to belt.
5	Frame to belt measurement to be the same at motor and driven belt.

Figure 12. Belt Alignment

Motor Specifications

Fan Specifications (assembled)	Motor Specifications							
Description	*Part No.	Voltage	HZ	Phase	HP	Motor Part No.	Motor Sheave Part No.	Fan Sheave Part No.
36" Panel Belt Drive Fan	46128-3620	115/230	60	1	.5	40158	4906	42338
36" Panel Belt Drive Fan	46128-3640	200-230 400-460	60	3	.5	38566	4906	42338
36" Panel Belt Drive Fan	46128-3650	200-240 380-415	50	3	.5	38566	8773	42338
36" Panel Belt Drive Fan	46293-3620	115/230	60	1	.5	40158	4906	42338
36" Slant Wall Belt Drive Fan	46129-362X	115/230	60	1	0.5	40158	4906	42338
36" Slant Wall Belt Drive Fan	46129-364X	200-230 400-460	60	3	.5	38566	4906	42338
36" Slant Wall Belt Drive Fan	46129-365X	200-240 380-415	50	3	.5	38566	8773	42338
36" Cone Belt Drive Fan	46130-362X	115/230	60	1	0.5	40158	4906	42338
36" Cone Belt Drive Fan	46130-364X	200-230 400-460	60	3	0.5	38566	4906	42338

* Replace the "X" in fan P/N with "1" for an aluminum Shutter, "2" for a plastic shutter.

Maintenance

**Danger!**

Disconnect Power Prior To Maintaining Or Cleaning The Fan. The fan may start automatically causing serious injury or death.

- Service and repair of fans should be done only by a qualified technician.
- Keep the fan clean for maximum life and best performance. **Avoid spraying water on fan shaft bearings.**
- Periodically check the V-Belt. If necessary, adjust the spring tension to prevent the belt from slipping.
- Keep Shutters, Blades, and Housing clear of obstacles for best air performance.

The motor and fan shaft bearings are prelubricated. Grease zerks are provided on the fan shaft bearings for installations where relubrication is needed.

Important!

Relubrication is required once annually or immediately after cleaning with a pressure washer. For lubricants, add only a small amount of grease to purge impurities out of the bearing seals.

DO NOT OVER GREASE!

Use only high quality lithium soap base grease and clean all dirt from zerk before applying grease. Chore-Time recommends using Shell Alvania # 2 in the fan shaft bearings.

This Page Left Blank for Notes:

36" Belt Drive Part Numbers

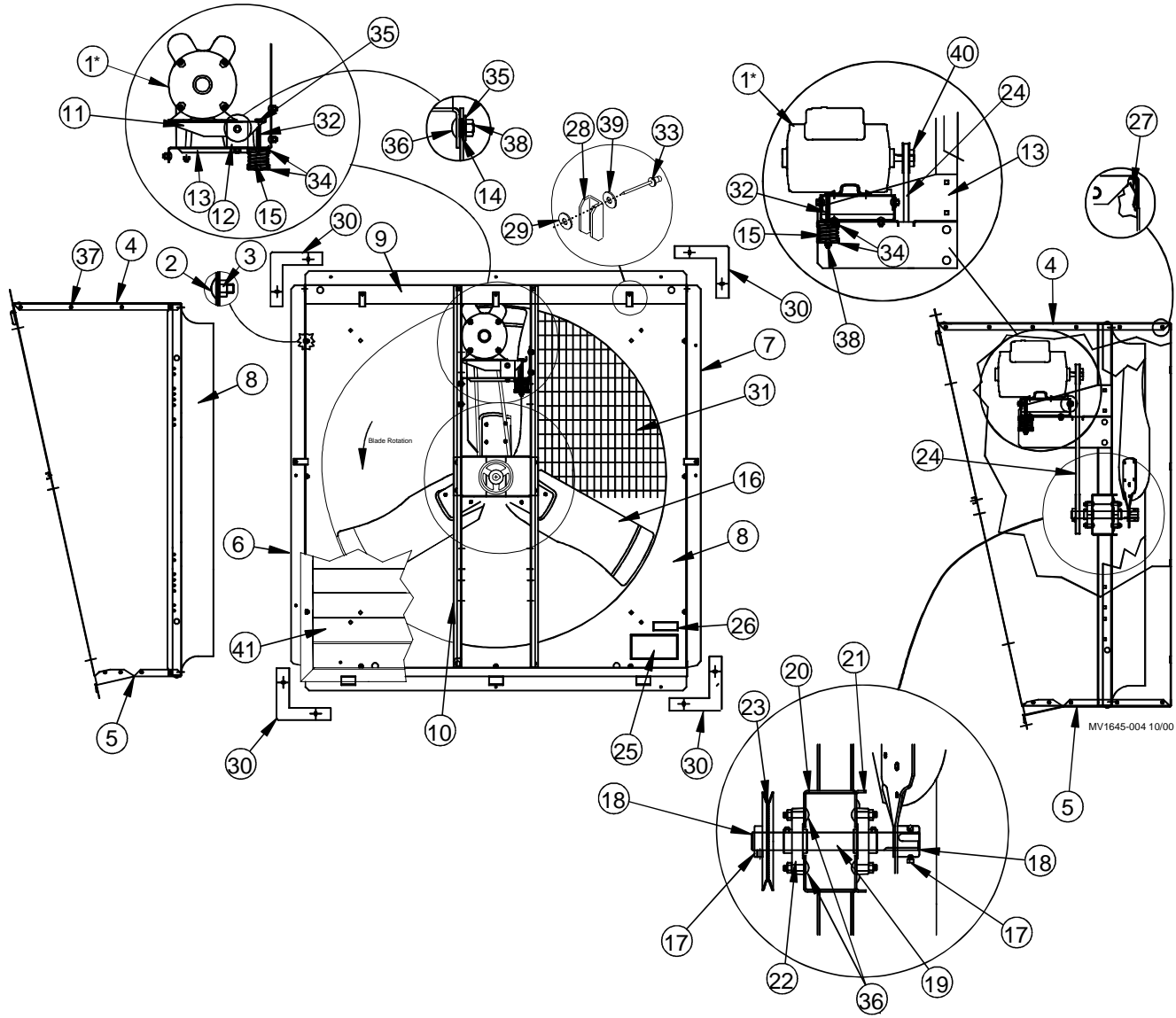
Cone and Slant Wall Versions

Cone Version				Slant Wall (SW) Version			
Item	Qty.	Description	Part Number	Item	Qty.	Description	Part Number
1*	1	Motor	Varies	1*	1	Motor	Varies
2	28	Bolt, Carriage 5/16-18 x .625	8282	2	28	Bolt, Carriage 5/16-18 x .625	8282
3	30	5/16-18 Hex Ser. Flange Nut	8490	3	30	5/16-18 Hex Ser. Flange Nut	8490
4**	1	Panel, Top 36" SW 12.5°	44739	4**	1	Panel, Top 36" SW 12.5°	44737
5	1	Panel, Bottom 36" SW 12.5°	44738	5	1	Panel, Bottom 36" SW 12.5°	44736
6	1	Panel, Side 36" SW 12.5° RH	44735-2	6	1	Panel, Side 36" SW 12.5° RH	44734-1
7	1	Panel, Side 36" SW 12.5° LH	44735-1	7	1	Panel, Side 36" SW 12.5° LH	44734-2
8	1	Shroud 36" Fan	5538	8	1	Shroud 36" Fan	5538
9	1	Brace, 36" Fan Shutter Mounting	44740	9	1	Brace, 36" Fan Shutter Mounting	44740
10	2	Post, 36" x 12.5° Fan	46127	10	2	Post, 36" x 12.5° Fan	46127
11	1	Motor Mount Pivot Plate	43713	11	1	Motor Mount Pivot Plate	43713
12	1	Pivot Plate Mounting Bracket	46444	12	1	Pivot Plate Mounting Bracket	46444
13	1	Z-Motor Mounting Bracket	46445	13	1	Z-Motor Mounting Bracket	46445
14	1	ST BD Module Bushing	38896	14	1	ST BD Module Bushing	38896
15	1	Spring	43715	15	1	Spring	43715
16	1	Blade, 36" Fan	46126	16	1	Blade, 36" Fan	46126
17	1	5-16-18 x 3/8 Set Screw	1174	17	1	5-16-18 x 3/8 Set Screw	1174
18	2	1/4 x 1 x 1/8 Square Key	2419-2	18	2	1/4 x 1 x 1/8 Square Key	2419-2
19	1	Shaft	43691	19	1	Shaft	43691
20	1	Rear Bearing Mount Plate	43690	20	1	Rear Bearing Mount Plate	43690
21	1	Front Bearing Mount Plate	43689	21	1	Front Bearing Mount Plate	43689
22	2	1" Bore Cast Flange Bearing	43654	22	2	1" Bore Cast Flange Bearing	43654
23	1	AK51 x 1" Bore (4.95") Sheave	42338	23	1	AK51 x 1" Bore (4.95") Sheave	42338
24	1	AX39 V-Belt	46285	24	1	AX39 V-Belt	46285
25	2	Danger Decal	2527-50	25		Danger Decal	2527-50
26	1	36" SW Cone Fan Decal	39002-162, -163, or -198	26	1	36" SW Fan Decal	39002-160, -161, or -166
27	12	Screen Clip	38891	27	12	Screen Clip	38891
28	5	SS Shutter Clip	36729	28	5	SS Shutter Clip	36729
29	5	Nylon Washer	4856	29	5	Nylon Washer	4856
30	4	Corner Flange Angle	44284	30	4	Corner Flange Angle	44284
31				31			
32	1	5/16-18 x 5.5" Bolt	4412-21	32	1	5/16-18 x 5.5" Bolt	4412-21
33	9	3/16" x 3/8" Pop Rivet	2569	33	9	3/16" x 3/8" Pop Rivet	2569
34	2	Spring Coil Cap	44002	34	2	Spring Coil Cap	44002
35	3	.375 x .875 x .078 Flat Washer	546	35	3	.375 x .875 x .078 Flat Washer	546
36	4	5/16-18 x 1.25 Carriage Bolt	34885-2	36	4	5/16-18 x 1.25 Carriage Bolt	34885-2
37	16	#10-16 x .50 Hx WH Screw	3037	37	20	#10-16 x .50 Hx WH Screw	3037
38	3	5/16-18 Hex Lock Nut	2148	38	3	5/16-18 Hex Lock Nut	2148
39	2	.227 x .515 x .065 Flat Washer	2955-19	39	2	.227 x .515 x .065 Flat Washer	2955-19
40*	1	Cast Iron Sheave	4906	40*	1	Cast Iron Sheave	4906
41****	1	36" Shutter	Varies	41****	1	36" Shutter	Varies
42	1	Grill	37629				
-----	1	Pkg, Hdwr Installation	46287	-----	1	Pkg, Hdwr Installation	46287
-----	1	36" EZ Fan Cone Kit	37936				
* See Motor Specifications Chart on Page 18 **** See Shutter Detail on Page 14				* See Motor Specifications Chart on Page 18 **** See Shutter Detail on Page 14			

Deep Box and Panel Fan Versions

Deep Box Version				Panel Fan Version			
Item	Qty.	Description	Part Number	Item	Qty.	Description	Part Number
1*	1	Motor	Varies	1*	1	Motor	Varies
2	28	Bolt, Carriage 5/16-18 x .625	8282	2	20	Bolt, Carriage 5/16-18 x .625	8282
3	30	5/16-18 Hex Ser. Flange Nut	8490	3	22	5/16-18 Hex Ser. Flange Nut	8490
4**	4	36" Box Fan Panel	37556	4			
5				5			
6				6			
7				7			
8	1	Shroud 36" Fan	5538	8	1	Shroud 36" Fan	5538
9				9			
10	2	Post, 36" x 12.5° Fan	46127	10	2	Post, 36" x 12.5° Fan	46127
11	1	Motor Mount Pivot Plate	43713	11	1	Motor Mount Pivot Plate	43713
12	1	Pivot Plate Mounting Bracket	46444	12	1	Pivot Plate Mounting Bracket	46444
13	1	Z-Motor Mounting Bracket	46445	13	1	Z-Motor Mounting Bracket	46445
14	1	ST BD Module Bushing	38896	14	1	ST BD Module Bushing	38896
15	1	Spring	43715	15	1	Spring	43715
16	1	Blade, 36" Fan	46126	16	1	Blade, 36" Fan	46126
17	1	5-16-18 x 3/8 Set Screw	1174	17	1	5-16-18 x 3/8 Set Screw	1174
18	2	1/4 x 1 x 1/8 Square Key	2419-2	18	2	1/4 x 1 x 1/8 Square Key	2419-2
19	1	Shaft	43691	19	1	Shaft	43691
20	1	Rear Bearing Mount Plate	43690	20	1	Rear Bearing Mount Plate	43690
21	1	Front Bearing Mount Plate	43689	21	1	Front Bearing Mount Plate	43689
22	2	1" Bore Cast Flange Bearing	43654	22	2	1" Bore Cast Flange Bearing	43654
23	1	AK51 x 1" Bore (4.95") Sheave	42338	23	1	AK51 x 1" Bore (4.95") Sheave	42338
24	1	AX39 V-Belt	46285	24	1	AX39 V-Belt	46285
25	2	Danger Decal	2527-50	25	2	Danger Decal	2527-50
26	1	36" Deep Box Fan Decal	39002-164	26	1	36" Panel Fan Decal	39002-158, -159, or -165
27	32	Screen Clip	38891	27			
28				28			
29				29			
30				30			
31	1	40 x 40 Wire Screen	29046	31			
32	1	5/16-18 x 5.5" Bolt	4412-21	32	1	5/16-18 x 5.5" Bolt	4412-21
33				33			
34	2	Spring Coil Cap	44002	34	2	Spring Coil Cap	44002
35	3	.375 x .875 x .078 Flat Washer	546	35	3	.375 x .875 x .078 Flat Washer	546
36	4	5/16-18 x 1.25 Carriage Bolt	34885-2	36	4	5/16-18 x 1.25 Carriage Bolt	34885-2
37				37			
38	3	5/16-18 Hex Lock Nut	2148	38	3	5/16-18 Hex Lock Nut	2148
39				39			
40*	1	Cast Iron Sheave	4906	40*	1	Cast Iron Sheave	4906
41***	1	36" BD Fan Inlet Screen	46292				
* See Motor Specifications Chart on Page 18 ** Deep Box Panels are visually different than SW Panels Shown here. ***Screen not shown				* See Motor Specifications Chart on Page 18			

Itemized Parts





**Made to work.
Built to last.**

Revisions to this Manual

Page No.	Description of Change
-----------------	------------------------------

Contact your nearby Chore-Time distributor or representative for additional parts and information.

CTB Inc.
P.O. Box 2000 • Milford, Indiana 46542-2000 • U.S.A.
Phone (219) 658-4101 • Fax (877) 730-8825
E-Mail: ctb@ctbinc.com • Internet: <http://www.ctbinc.com>

Printed in the U.S.A.