

Service Schematics

NOKIA 3109 CLASSIC

RM-274

Introduction

Important:

This document is intended for use by authorized service centers only.

“Service Schematics” was created with focus on customer care.
The purpose of this document is to provide further technical repair information for NOKIA mobile phones on Level 3/4 service activities.
It contains additional information such as e.g. “Component finder”.

Saving process time and improving the repair quality is the aim of this document.
It is to be used additionally to the service manual and other training or service information such as Service Bulletins.

While every endeavour has been made to ensure the accuracy of this document, some errors may exist. If the reader finds any errors, NOKIA should be notified in writing.

Please send E-Mail to: TrainingAndVendor.Development@nokia.com

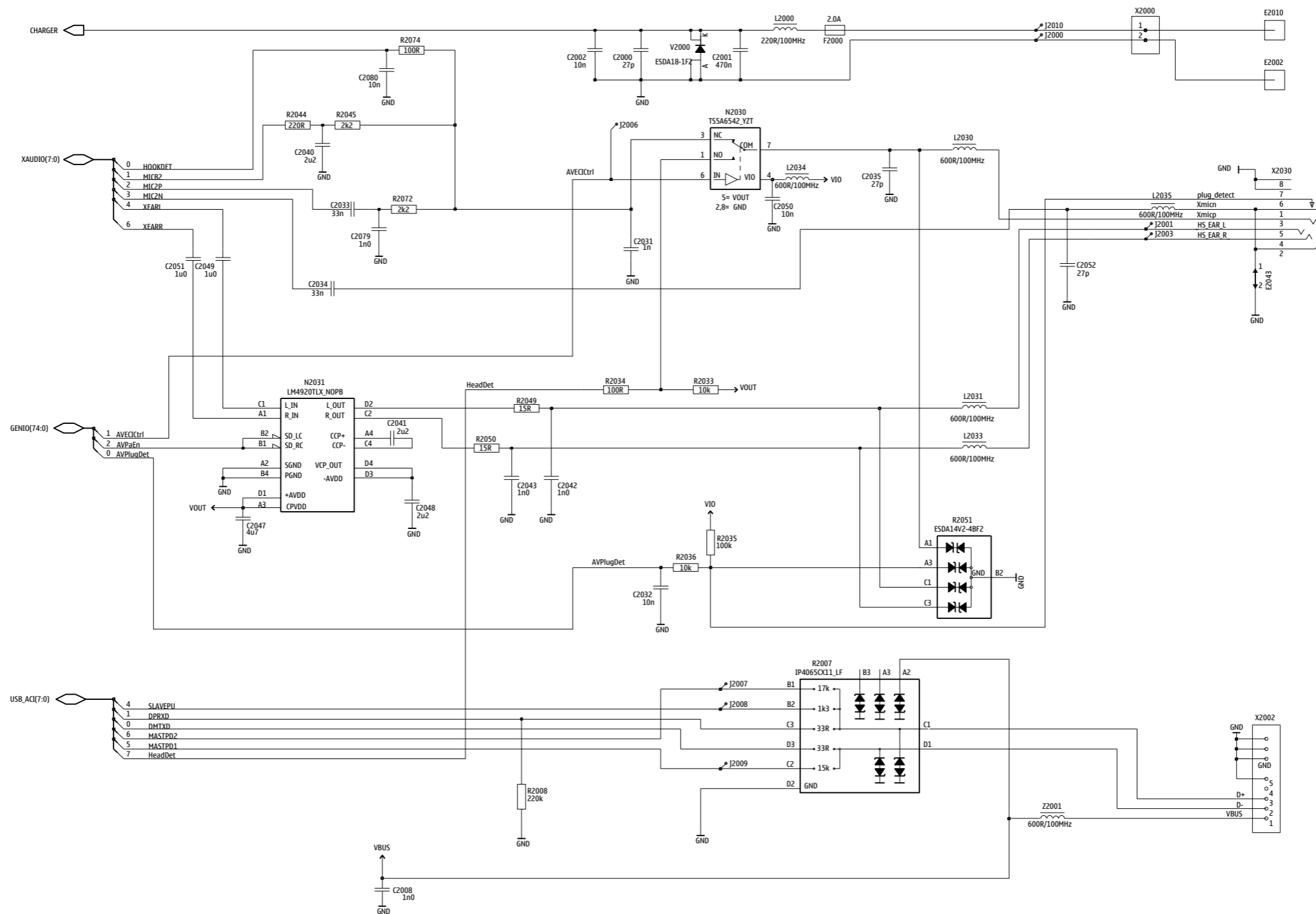


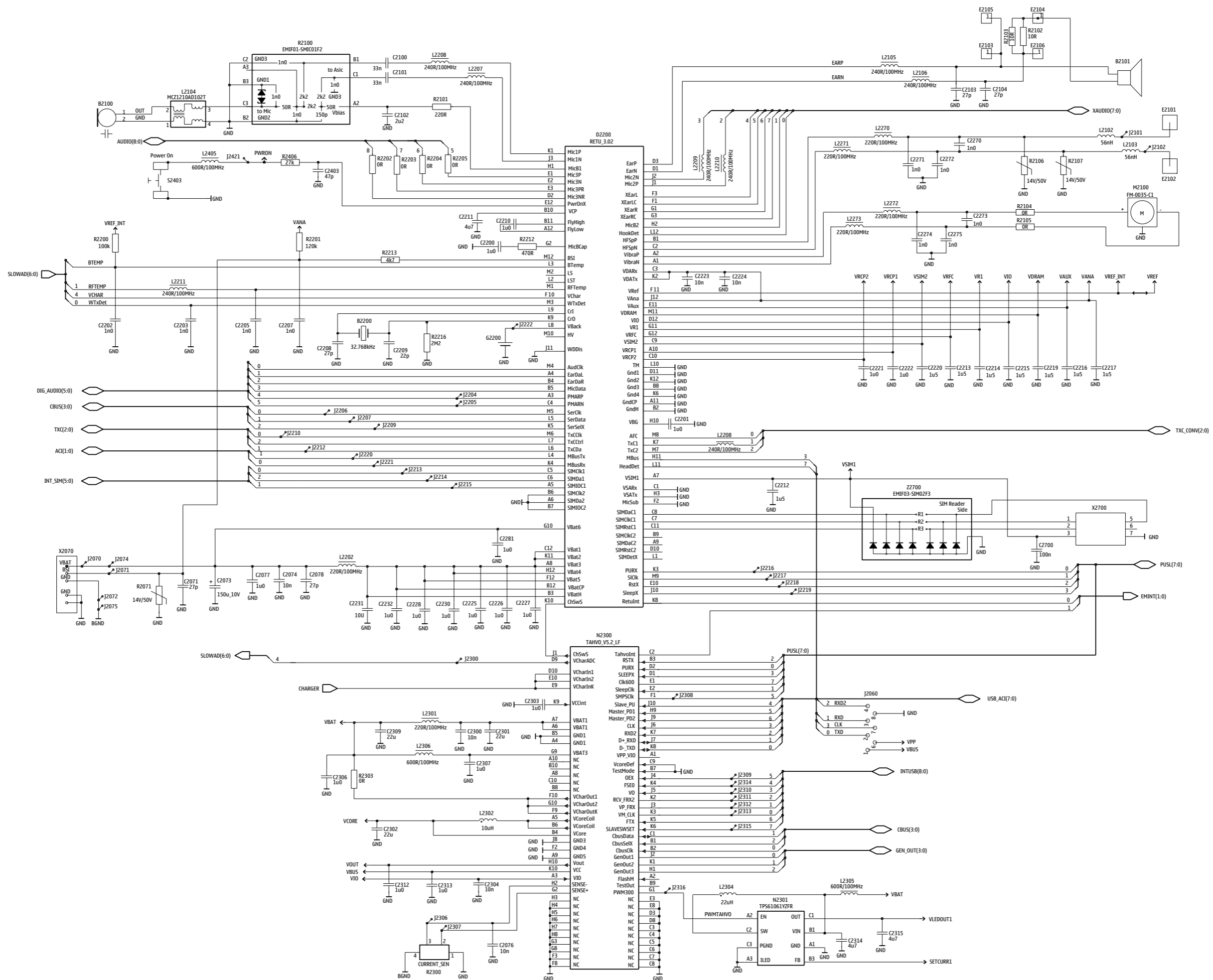
Table of contents

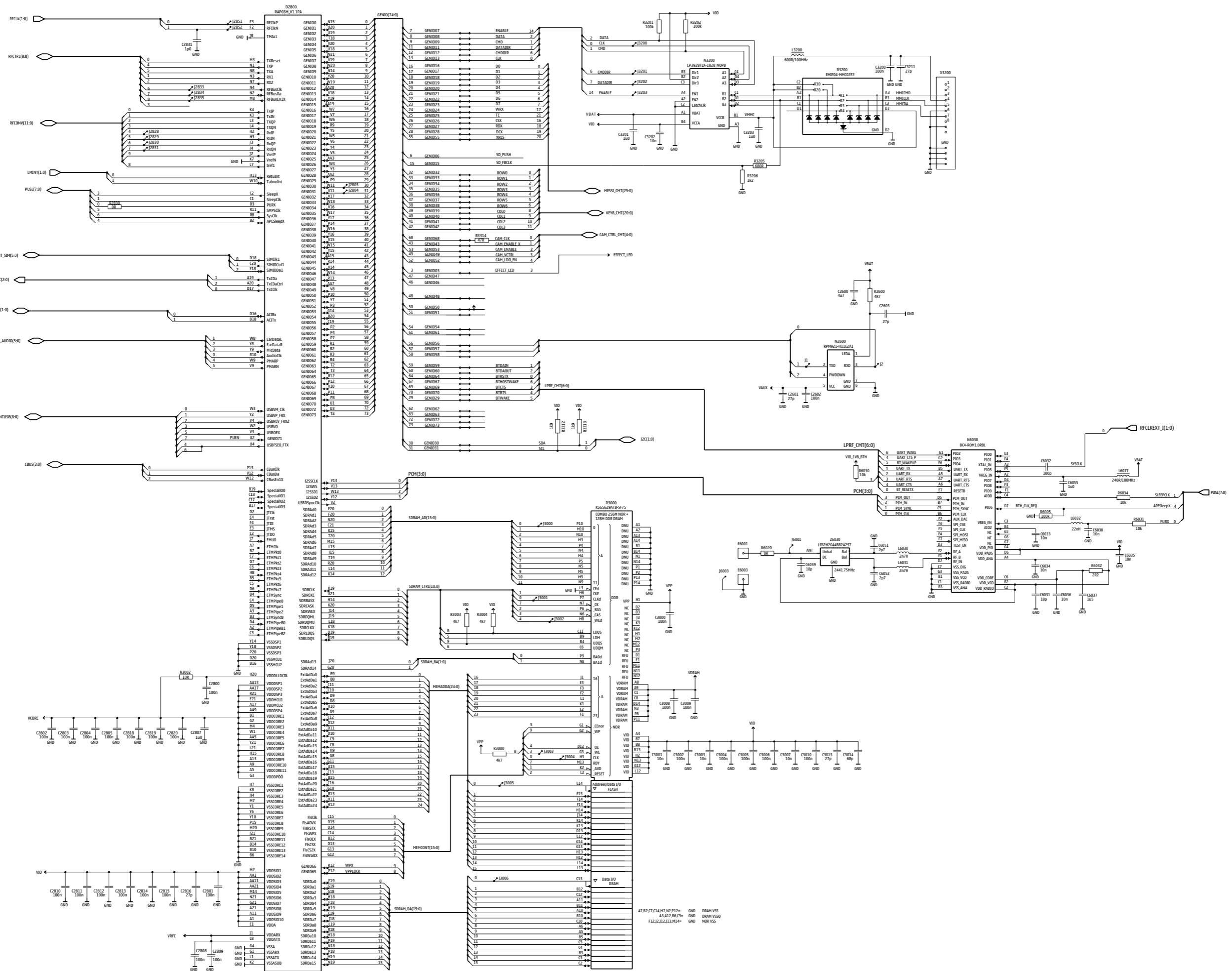
Frontpage	1
System connector	2
RETU, TAHVO, SIM & Audio	3
RAP3G, Combo memory & microSD	4
User interface	5
RF part	6
Component finder	7

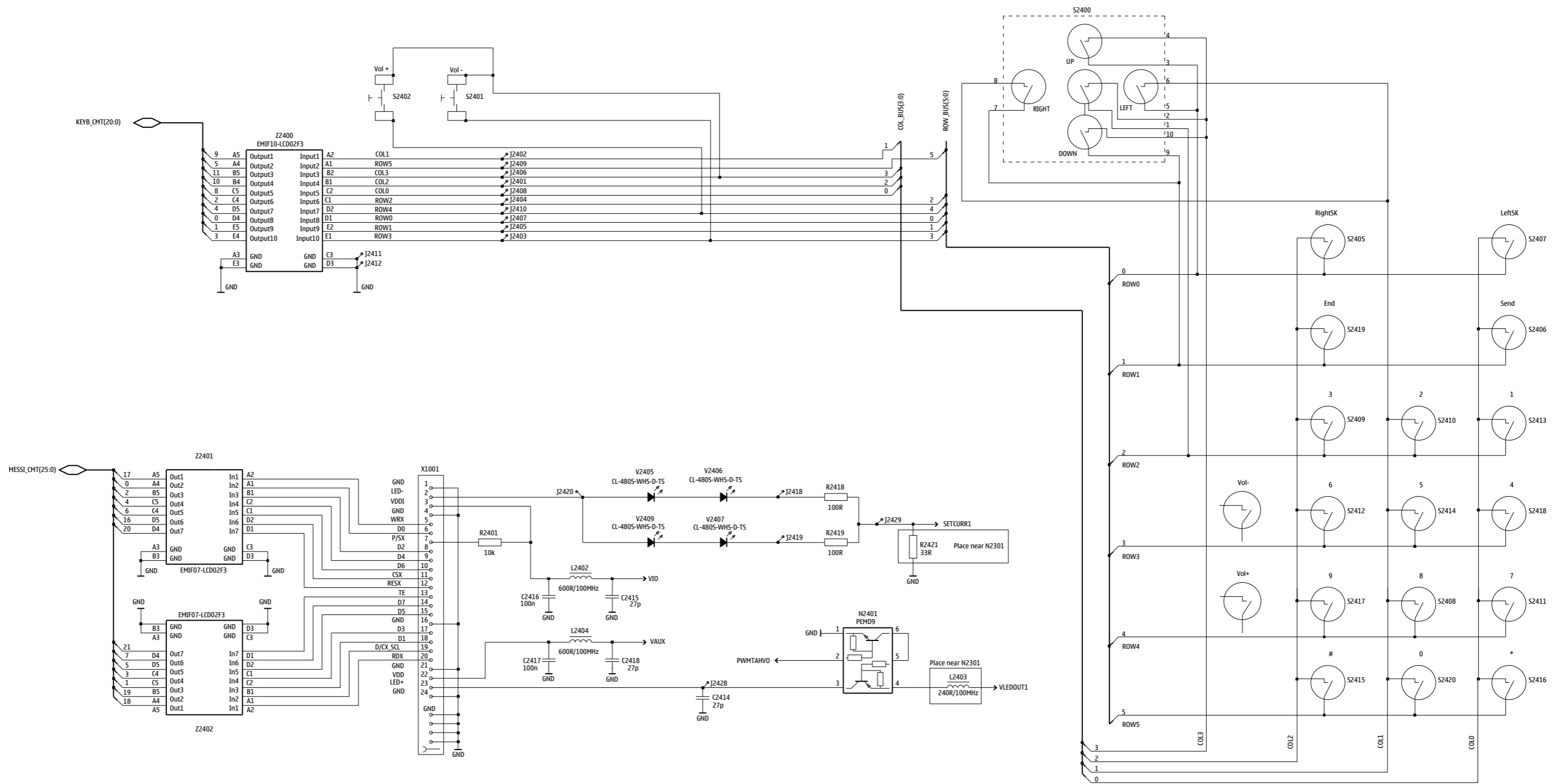
Copyright © NOKIA

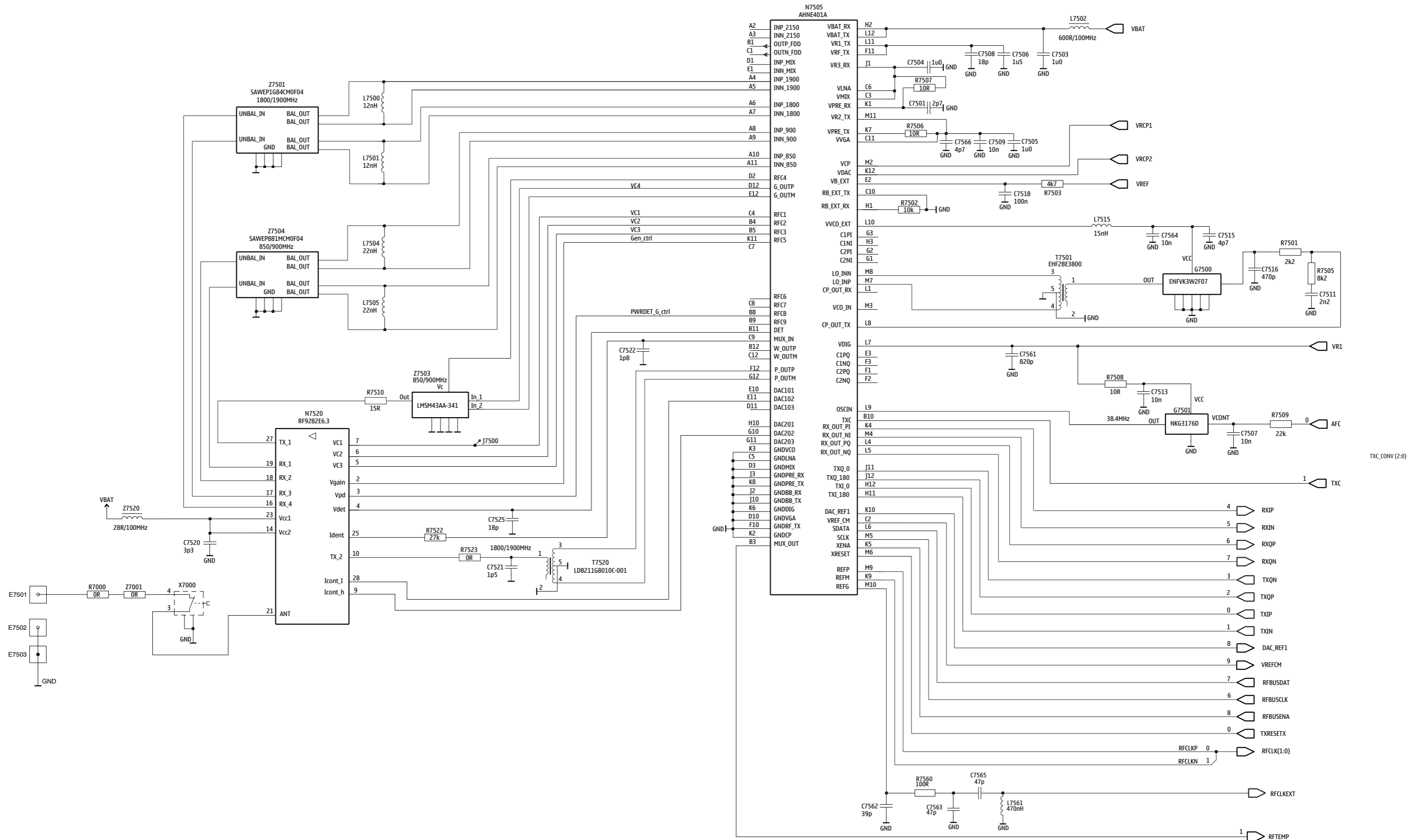
This material, including documentation and any related computer programs is protected by copyright, controlled by NOKIA. All rights are reserved. Copying, including reproducing, modifying, storing, adapting or translating any or all of this material requires the prior written consent of NOKIA. This material also contains confidential information, which may not be disclosed to others without the prior written consent of NOKIA.











A	C2232	L3	C3014	K7	C7560	R4	N	R3301	P8		
B2100	B8	C2270	L5	C3100	E2	C7561	R4	N2030	D6	R3305	O7
B2101	T7	C2271	L5	C3115	O7	C7562	Q6	N2031	C4	R3306	P8
B2200	M3	C2272	L5	C3116	O7	C7563	Q6	N2300	J4	R3307	P7
C	C2273	K4	C3200	G8	C7564	S5	N2301	J2	R3312	I8	
C2000	A4	C2274	K4	C3201	H8	C7565	Q6	N2401	G5	R3313	I9
C2001	B4	C2275	K5	C3202	H8	C7566	R5	N2600	G9	R3314	O7
C2002	B3	C2281	L2	C3203	G8	D	N3200	G8	R6005	N3	
C2008	C3	C2300	J4	C3210	G8	D2200	L4	N3300	O9	R6020	T2
C2030	E5	C2301	I5	C3211	D9	D2800	L7	N3301	O7	R6030	P3
C2031	E5	C2302	K5	C3300	P7	D3000	J7	N6030	P2	R6031	Q2
C2032	D5	C2303	I3	C3301	N5	D3300	O8	N6100	H7	R6032	P2
C2033	E5	C2304	K4	C3302	N5	F	N7505	R6	R6034	Q3	
C2034	E5	C2305	I2	C3303	O8	F2000	B7	N7520	R8	R6037	Q2
C2035	C6	C2306	L4	C3304	O8	G	R	R6100	G7		
C2040	H6	C2307	I4	C3305	O7	G2200	C2	R2007	C3	R6101	G7
C2041	C4	C2309	I5	C3306	O9	G7500	S4	R2008	C2	R6102	H7
C2042	D4	C2312	I4	C3307	O8	G7501	Q4	R2033	E5	R6103	G6
C2043	C4	C2313	I3	C3308	N6	L	R2034	E5	R6104	G7	
C2044	C5	C2314	J3	C3309	N5	L2000	B4	R2035	D6	R6105	G7
C2045	D5	C2315	K2	C3310	P7	L2030	C5	R2036	D6	R7001	T8
C2046	C4	C2317	J2	C3313	O8	L2031	C5	R2044	H6	R7002	T9
C2047	C4	C2403	N2	C3314	P8	L2032	D6	R2045	E5	R7501	R5
C2048	C3	C2404	T3	C6020	T2	L2033	D5	R2049	D4	R7502	S6
C2049	H5	C2405	H5	C6031	R2	L2034	D5	R2050	C4	R7503	Q5
C2050	D5	C2413	I2	C6032	P3	L2035	C5	R2051	C6	R7505	R4
C2051	H5	C2414	T3	C6033	P3	L2102	Q7	R2052	C4	R7506	R5
C2052	C5	C2415	T4	C6034	P3	L2103	Q8	R2070	E2	R7507	S5
C2071	Q4	C2416	T4	C6035	P2	L2104	G6	R2071	N2	R7508	R4
C2073	S3	C2417	T3	C6036	P3	L2105	O2	R2072	E5	R7509	Q4
C2074	L2	C2418	T3	C6037	P2	L2106	Q2	R2074	E5	R7510	Q9
C2076	Q4	C2600	H8	C6038	Q2	L2202	M2	R2100	G5	R7522	Q8
C2077	M2	C2601	H9	C6039	Q3	L2207	M5	R2101	H6	R7523	S9
C2078	M2	C2602	G9	C6040	P2	L2208	M5	R2102	U7	R7560	Q6
C2079	E5	C2603	H8	C6051	Q3	L2209	M5	R2103	U7	S	
C2080	E5	C2700	H3	C6052	Q2	L2210	M5	R2104	F5	S2401	Q2
C2100	G5	C2701	H3	C6055	Q3	L2211	N5	R2105	F5	S2402	S2
C2101	G5	C2800	L9	C6100	G7	L2212	N4	R2106	N5	S2403	U5
C2102	H6	C2801	N8	C6101	H6	L2270	L5	R2107	N5	T	
C2103	O2	C2802	M9	C6102	G7	L2271	L5	R2200	M2	T7501	R4
C2104	O2	C2803	L9	C6103	G7	L2272	K4	R2201	N3	T7520	S9
C2200	M5	C2804	N8	C6104	H6	L2273	K5	R2202	M5	V	
C2201	M3	C2805	K6	C6105	G6	L2301	I5	R2203	M5	V2000	B4
C2202	N2	C2807	N9	C6106	H6	L2302	J5	R2204	M5	V2405	G4
C2203	M4	C2808	M9	C6107	H7	L2304	J3	R2205	M5	V2406	G7
C2204	M4	C2809	M9	C6108	H6	L2305	I3	R2212	L5	V2407	B7
C2205	M5	C2810	K9	C6109	G7	L2306	I3	R2213	N3	V2409	B4
C2206	M4	C2811	K6	C6111	N5	L2402	T4	R2216	N3	X	
C2207	N3	C2812	L9	C6112	N5	L2403	J2	R2250	N2	X1001	U3
C2208	N4	C2813	N6	C7000	U8	L2404	T3	R2251	N3	X2000	A7
C2209	N3	C2814	M9	C7001	T9	L2405	O2	R2303	I4	X2002	B3
C2210	K3	C2815	K9	C7501	S5	L3200	G8	R2401	T4	X2030	B5
C2211	K3	C2816	K8	C7502	Q5	L3301	N6	R2406	N2	X2060	A4
C2212	K4	C2818	K7	C7503	Q5	L3303	P9	R2418	H5	X2070	O3
C2213	L3	C2819	K8	C7504	S5	L3304	O9	R2419	H5	X2700	G3
C2214	L3	C2820	N7	C7505	Q5	L6030	Q2	R2421	K3	X3200	E8
C2215	L2	C2821	N7	C7506	Q5	L6031	Q2	R2422	G5	X3300	P5
C2216	L2	C2830	N8	C7507	Q4	L6032	Q2	R2600	H8	X7000	T8
C2217	M3	C2831	N8	C7508	Q5	L6077	R3	R2803	L9	Z	
C2219	M3	C3000	I6	C7509	R5	L6100	G7	R2804	L9	Z2001	C3
C2220	K4	C3001	J6	C7511	R4	L6101	H6	R2830	N8	Z2400	H4
C2221	K2	C3002	J6	C7513	Q4	L7500	S7	R3000	J6	Z2401	U4
C2222	K3	C3003	K9	C7515	S5	L7501	S7	R3002	L9	Z2402	R2
C2223	L5	C3004	K9	C7516	S5	L7502	Q5	R3003	K7	Z2700	H3
C2224	M5	C3005	J9	C7518	Q5	L7503	Q9	R3004	K8	Z6030	R2
C2225	M3	C3006	I9	C7520	S8	L7504	R7	R3200	G8	Z7001	T8
C2226	L3	C3007	J9	C7521	S8	L7505	R7	R3201	H8	Z7002	T9
C2227	K3	C3008	J9	C7522	Q8	L7515	S5	R3202	H8	Z7501	S7
C2228	L3	C3009	I9	C7523	S8	L7561	Q6	R3205	G8	Z7503	Q7
C2230	M3	C3010	N6	C7524	Q8	M	R3206	H8	Z7504	R7	
C2231	K5	C3013	K7	C7525	Q9	M2100	C8	R3300	P7	Z7520	S8

