

Service Schematics

NOKIA 6300

Introduction

Important:

This document is intended for use by authorized service centers only.

RM-217/RM-222

“Service Schematics” was created with focus on customer care.
The purpose of this document is to provide further technical repair information for NOKIA mobile phones on Level 3/4 service activities.
It contains additional information such as e.g. “Component finder”, “Frequency band table” or “Antenna switch table”.
The “Signal overview” page gives a good and fast overview about the most important signals and voltages on board.
Saving process time and improving the repair quality is the aim of this document.
It is to be used additionally to the service manual and other training or service information such as Service Bulletins.

All measurements were made using following equipment:

Nokia repair SW	:	Phoenix version 2006.34.2.156
Oscilloscope	:	Fluke PM 3380A/B
Spectrum Analyzer	:	Advanced R3162 with an analog probe
RF-Generator/GSM Tester	:	Rhode & Schwarz CMU 200
Multimeter	:	Fluke 73 Series II



Table of contents

Frontpage	1
AV connector, Mini USB, Charger jack	2
RETU, SIM, Audio	3
TAHVO	4
RAPGSM, Combo, microSD	5
FM radio, Bluetooth	6
User Interface	7
Camera	8
RF Part	9
Signal overview	10
Component finder	11

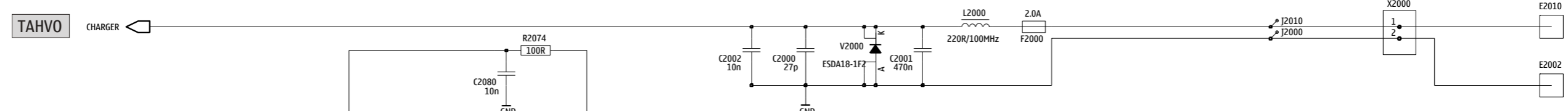
While every endeavour has been made to ensure the accuracy of this document, some errors may exist. If the reader finds any errors, NOKIA should be notified in writing.

Please send E-Mail to: training.sace@nokia.com

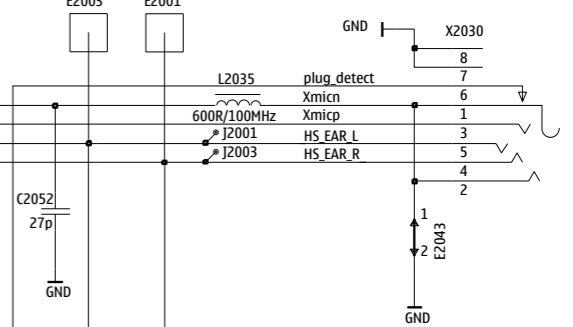
Copyright © NOKIA

This material, including documentation and any related computer programs is protected by copyright, controlled by NOKIA. All rights are reserved. Copying, including reproducing, modifying, storing, adapting or translating any or all of this material requires the prior written consent of NOKIA. This material also contains confidential information, which may not be disclosed to others without the prior written consent of NOKIA.

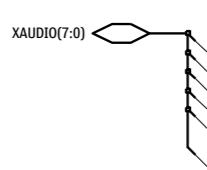
Charger jack



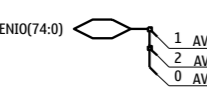
AV connector



RETU



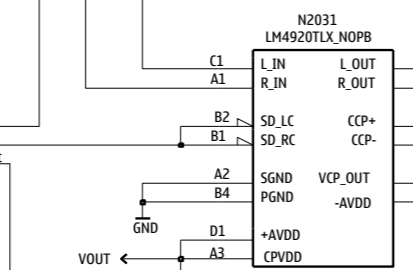
RAPGSM



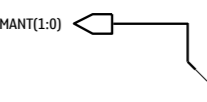
2.5V if accessory connected

2.5V if accessory connected

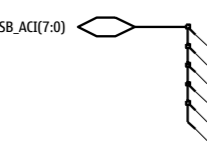
1.8V



FM radio

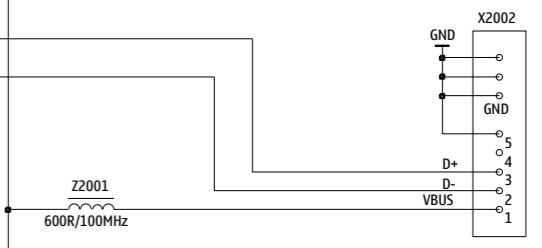


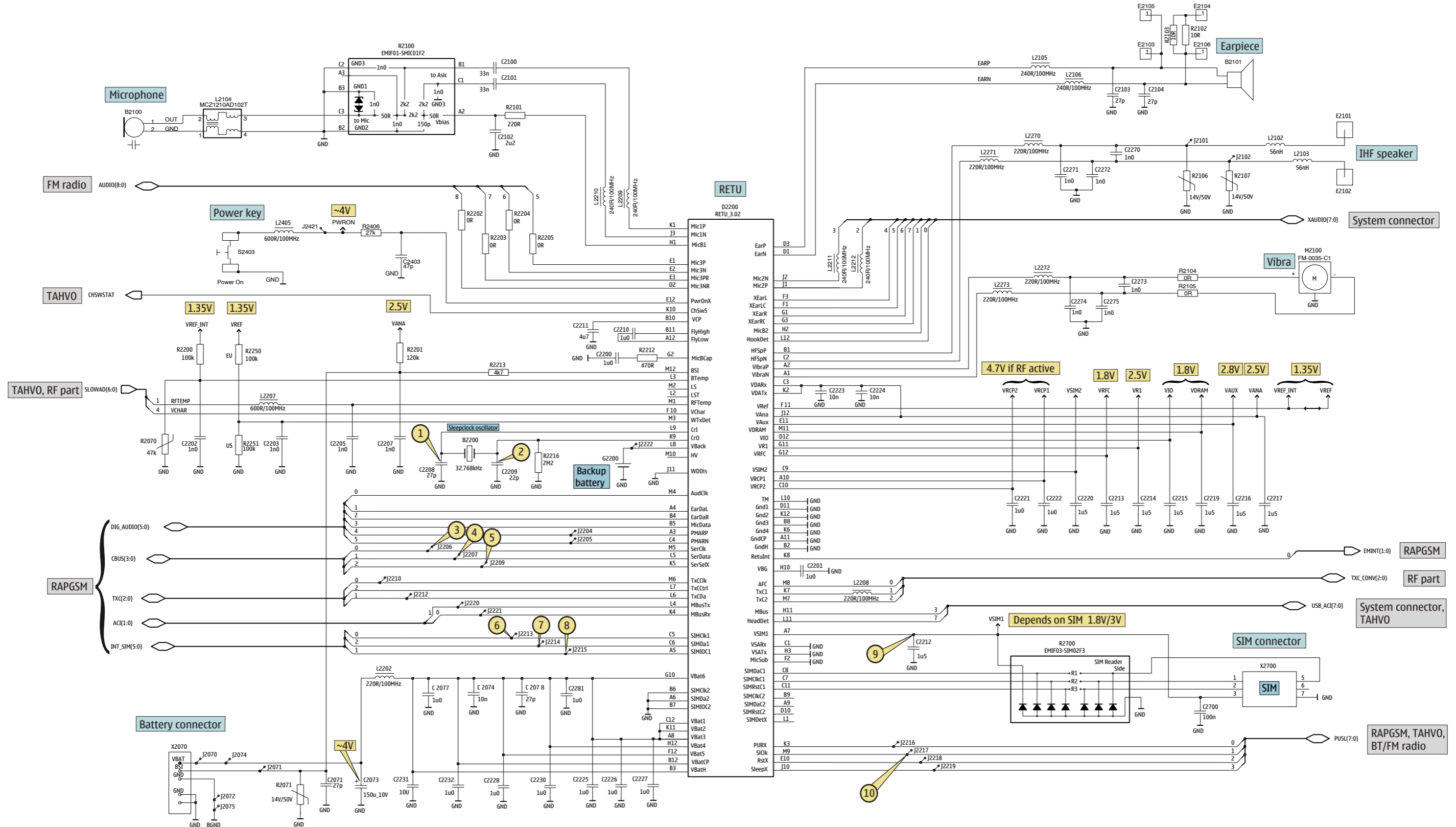
RETU, TAHVO

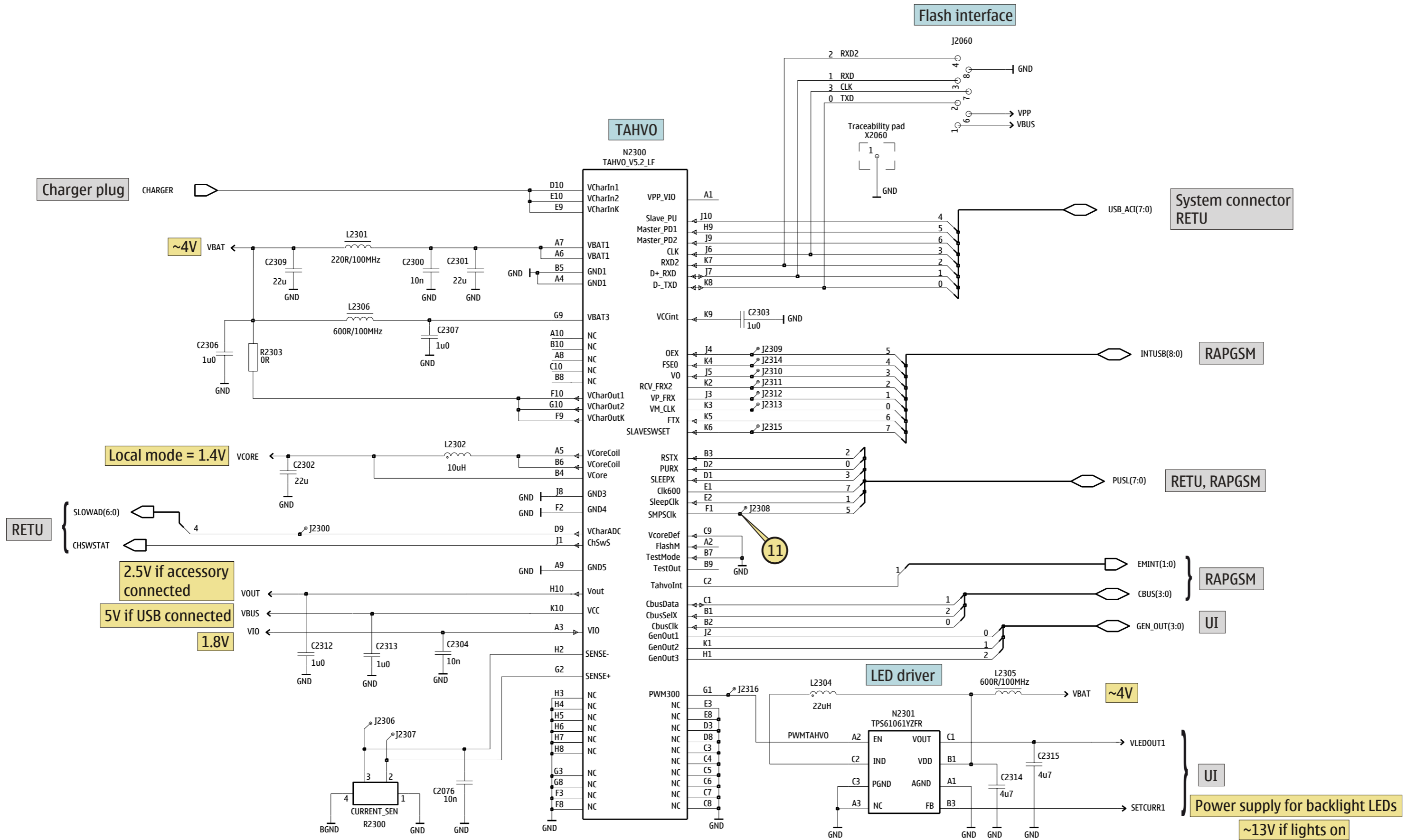


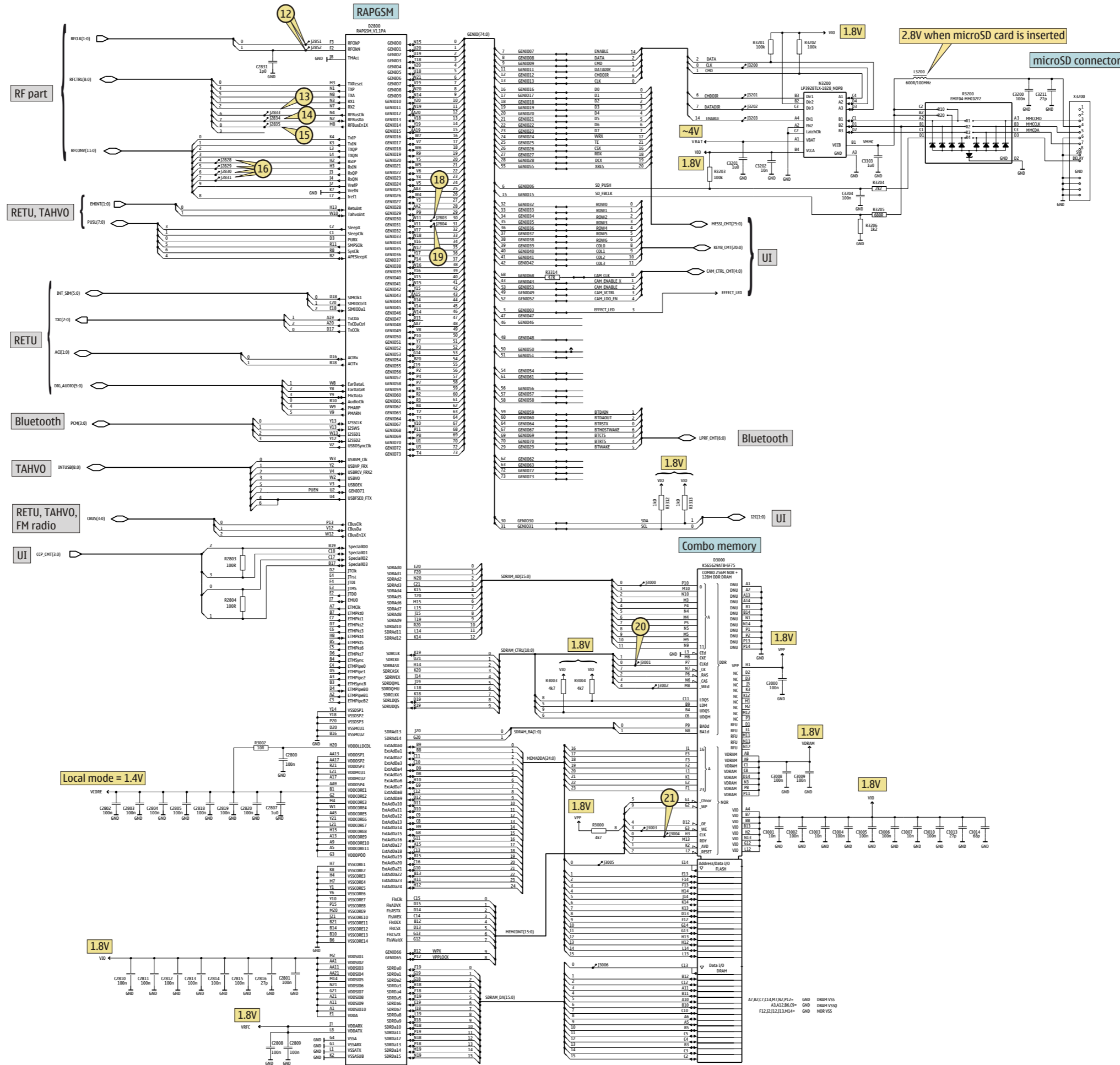
5V if USB connected

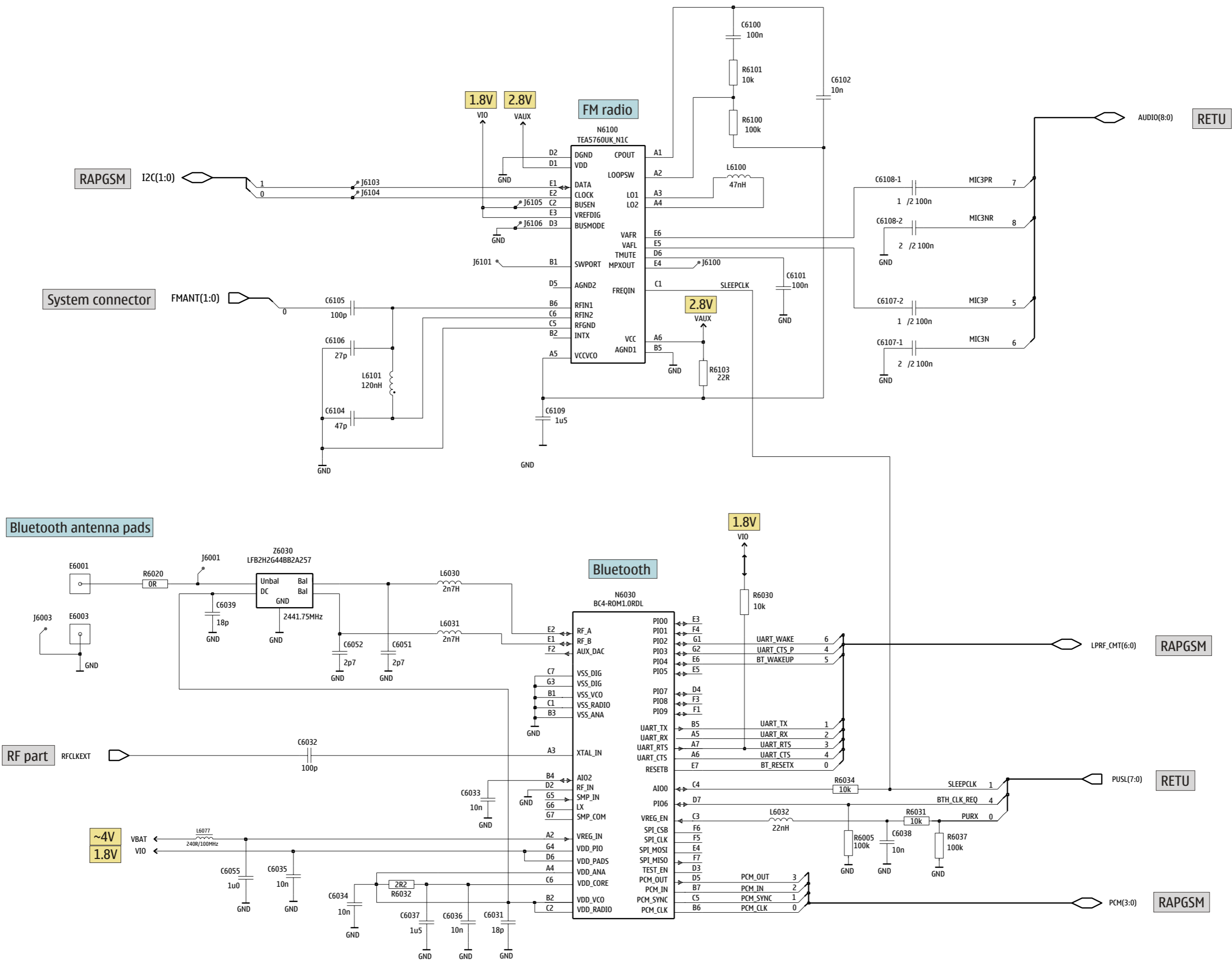
Mini USB

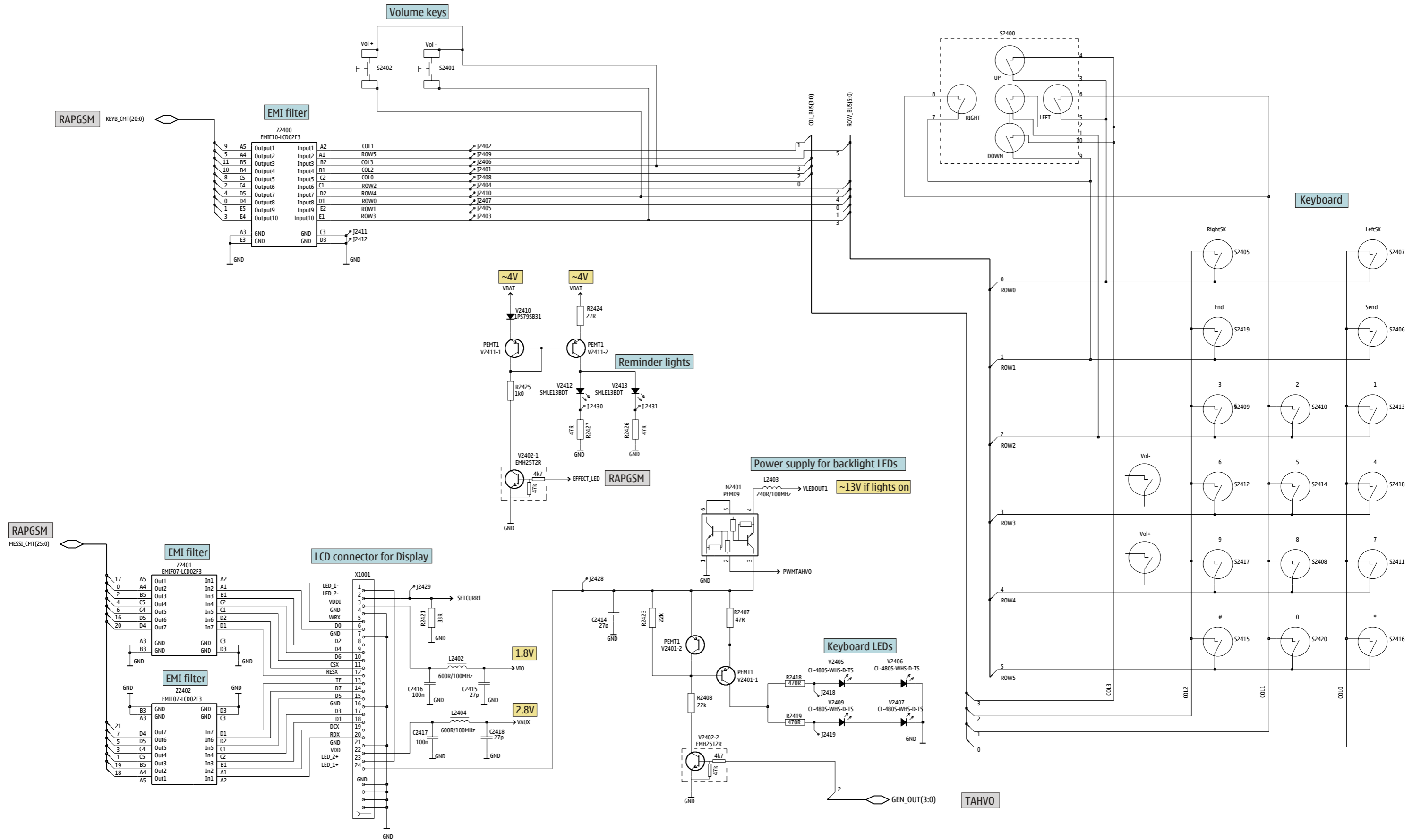


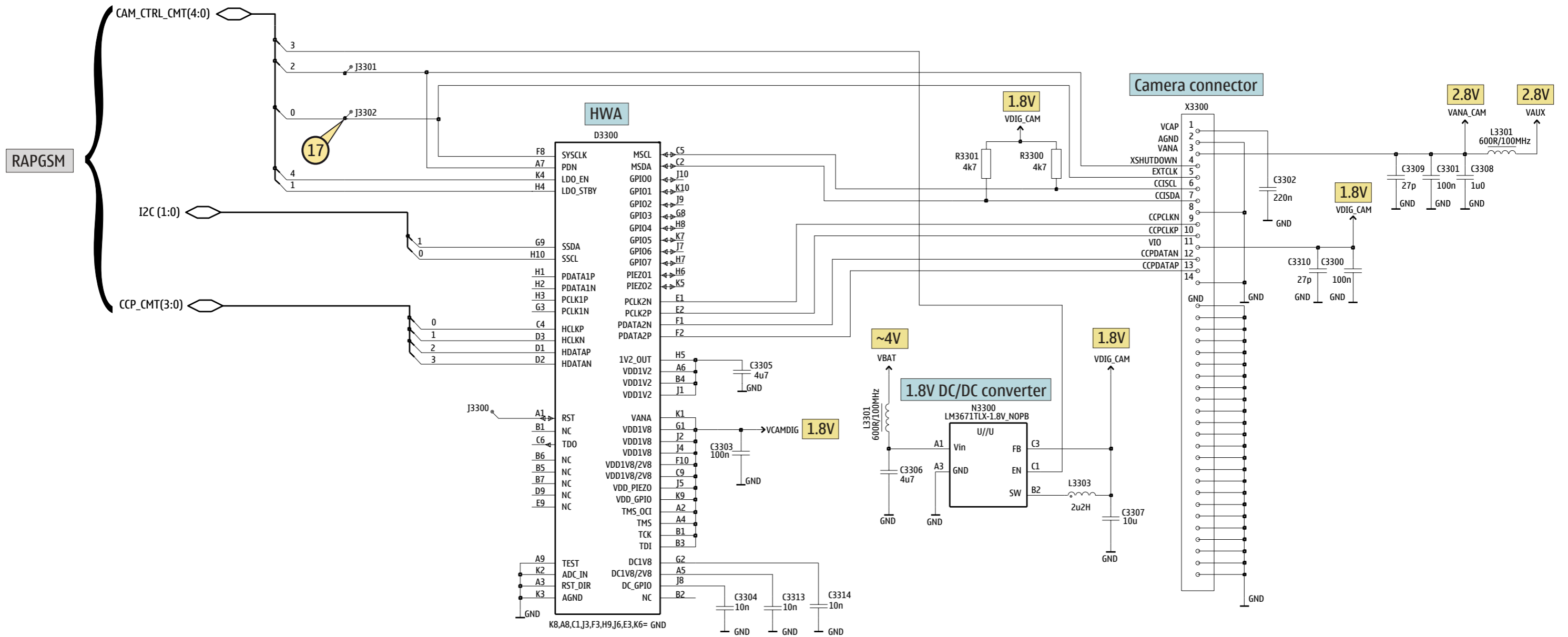


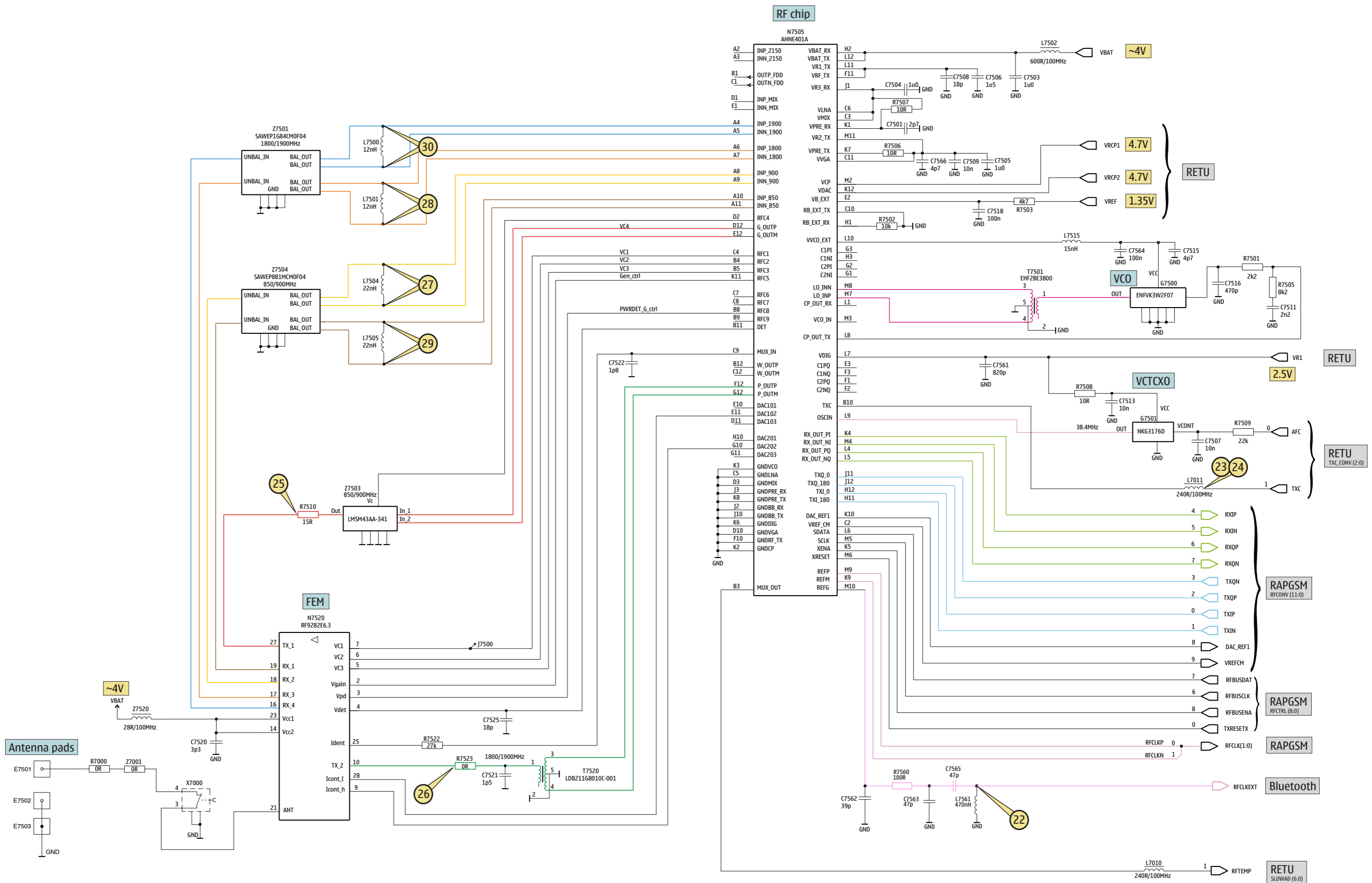


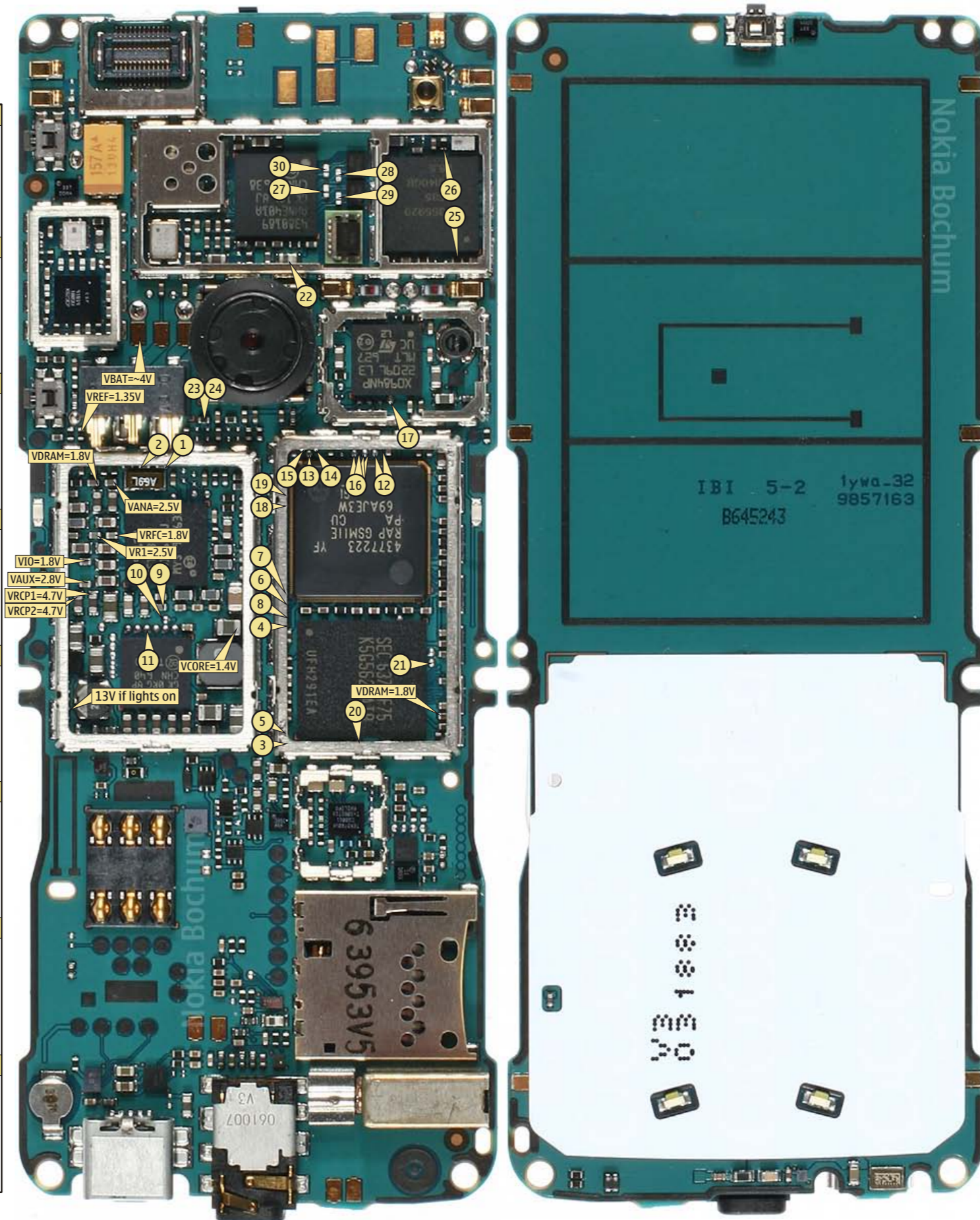
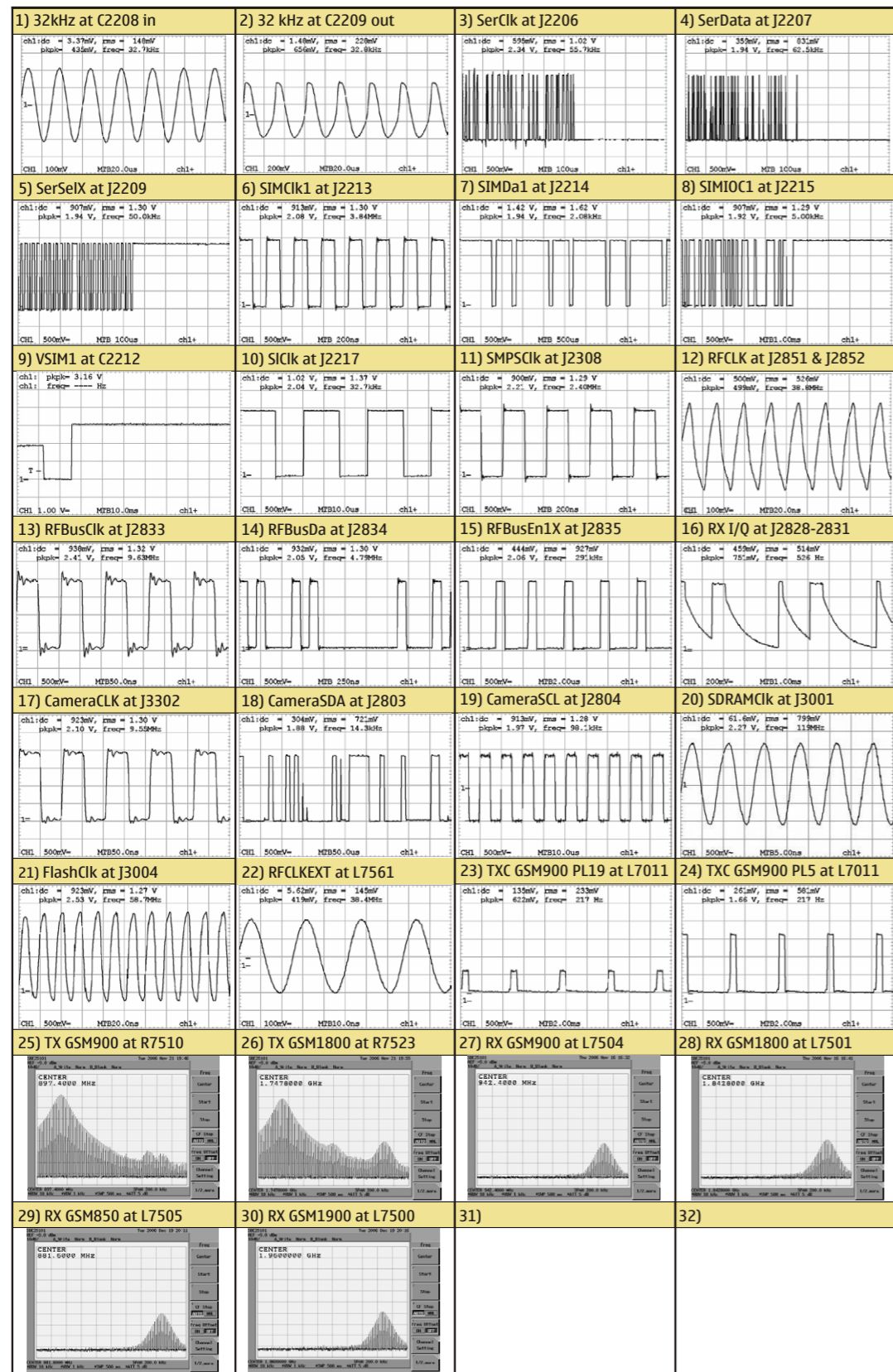












www.s-manuals.com