

# Service Schematics



## Introduction

### IMPORTANT:

This document is intended for use by authorized NOKIA service centers only.

“Service Schematics” was created with focus on customer care. The purpose of this document is to provide further technical repair information for NOKIA mobile phones on Level 3/4 service activities. It contains additional information such as e.g. “Component finder”, “Frequency band table” or “Antenna switch table”. The “Signal overview” page gives a good and fast overview about the most important signals and voltages on board. Saving process time and improving the repair quality is the aim of this document. It is to be used additionally to the service manual and other training or service information such as Service Bulletins.

All measurements were made using following equipment:

Nokia repair SW	: Phoenix version 2005.36.7.112
Oscilloscope	: Fluke PM 3380A/B
Spectrum Analyzer	: Advantest R3162 with an analog probe
RF-Generator / GSM Tester	: Rhode & Schwarz CMU 200
Multimeter	: Fluke 73 Series II

While every endeavour has been made to ensure the accuracy of this document, some errors may exist. If the reader finds any errors, NOKIA should be notified in writing.

Please send E-Mail to: [training.sace@nokia.com](mailto:training.sace@nokia.com)

### Copyright © NOKIA

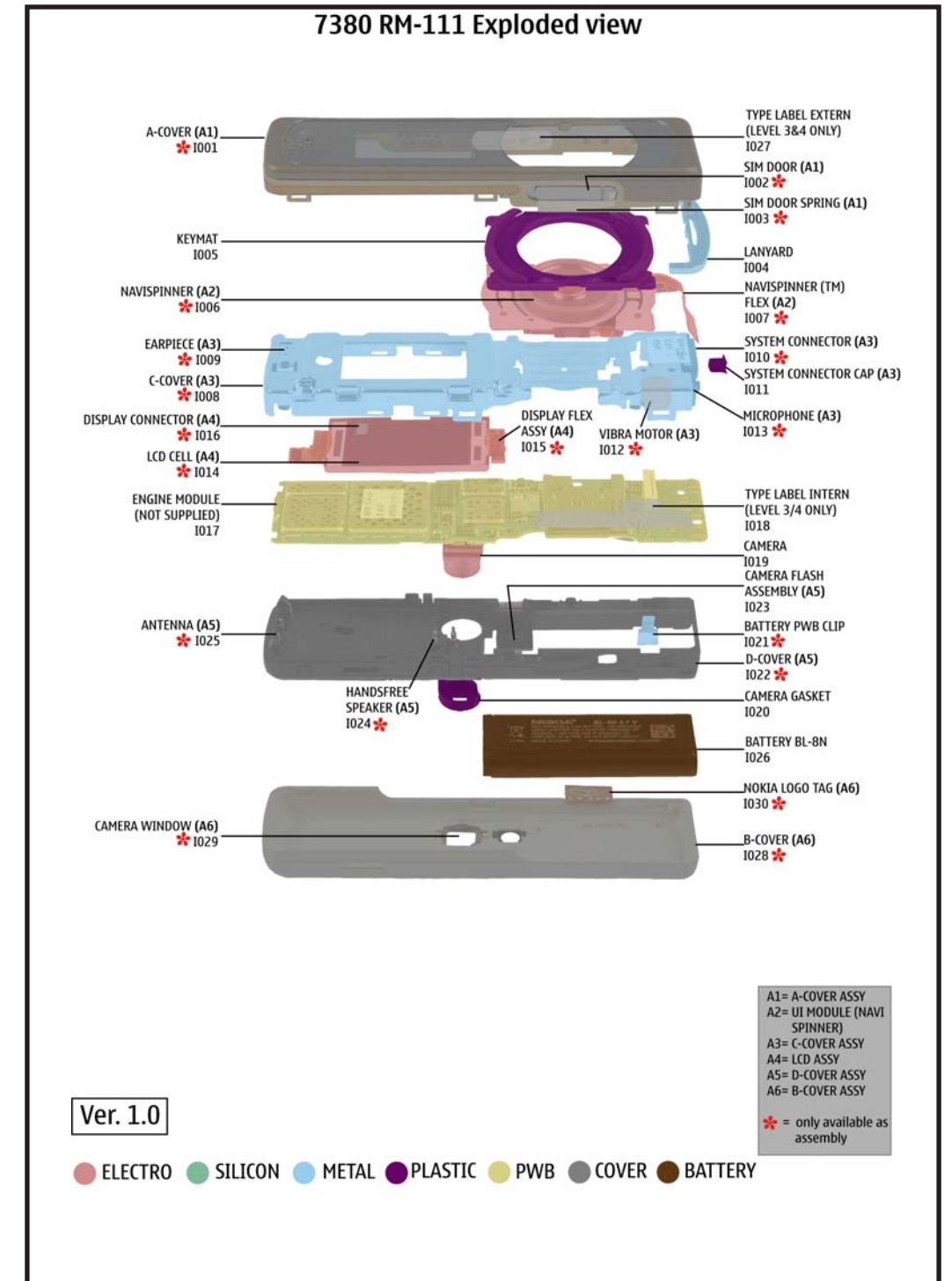
This material, including documentation and any related computer programs is protected by copyright, controlled by NOKIA. All rights are reserved. Copying, including reproducing, modifying, storing, adapting or translating any or all of this material requires the prior written consent of NOKIA. This material also contains company confidential information, which may not be disclosed to others without the prior written consent of NOKIA.

## RM-111

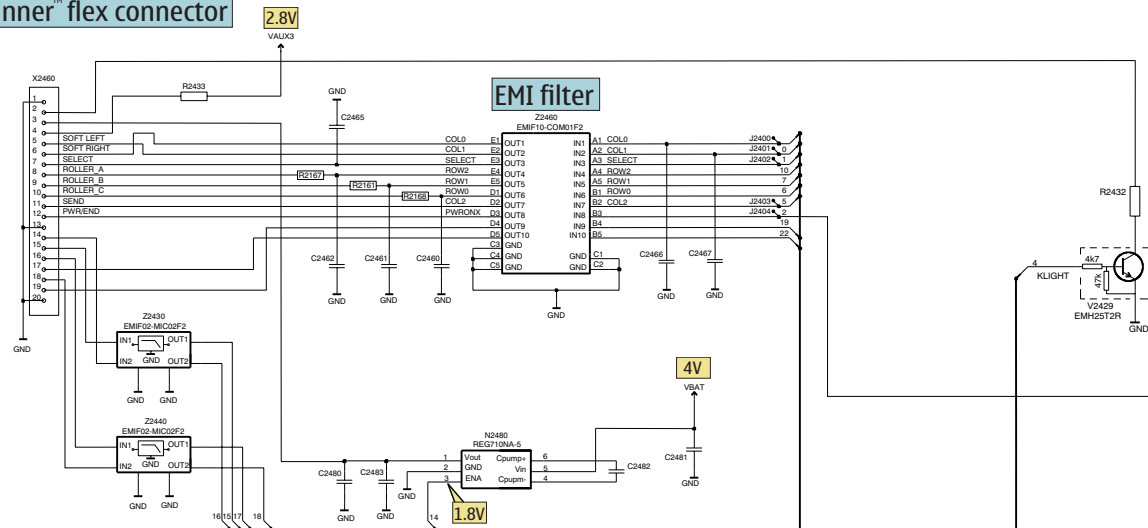


Table of Contents	Page
Front page	1
Module schematics	2
Component finder	3

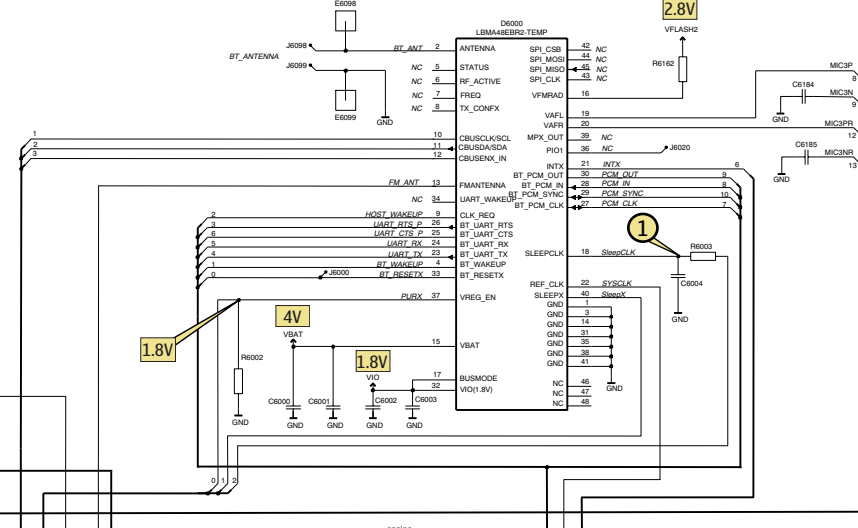
## Exploded view and component disposal



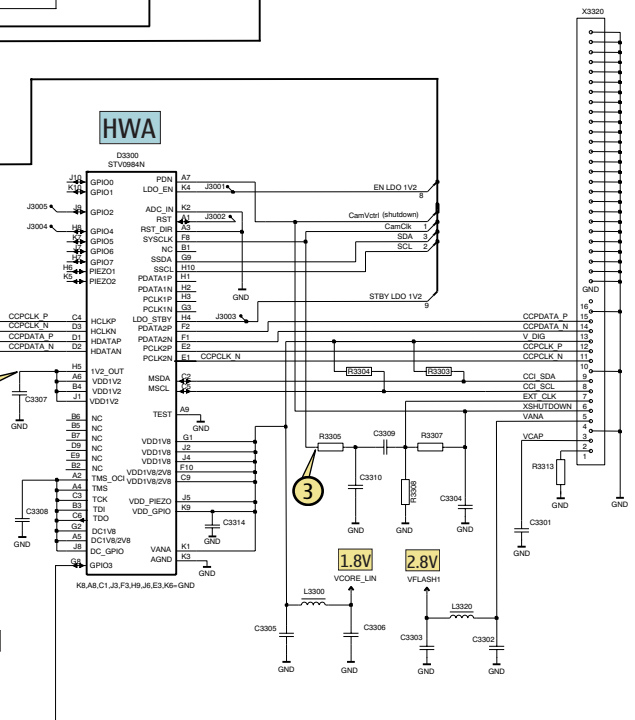
### Navispinner™ flex connector



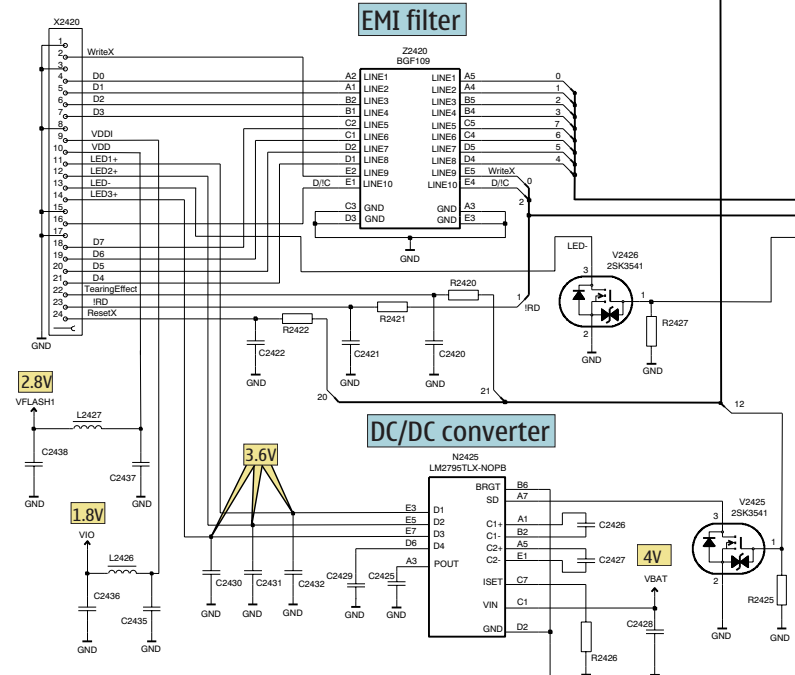
### BT/FM module



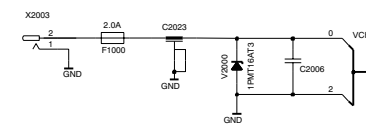
### Camera connector



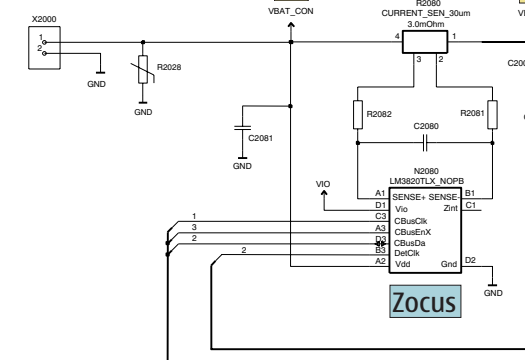
### Display connector



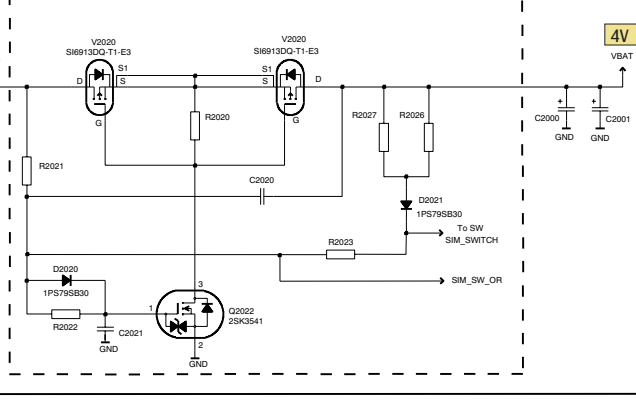
### Charger plug



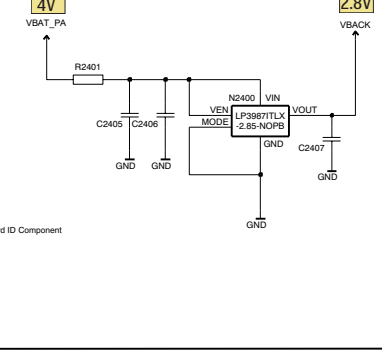
### Battery connector



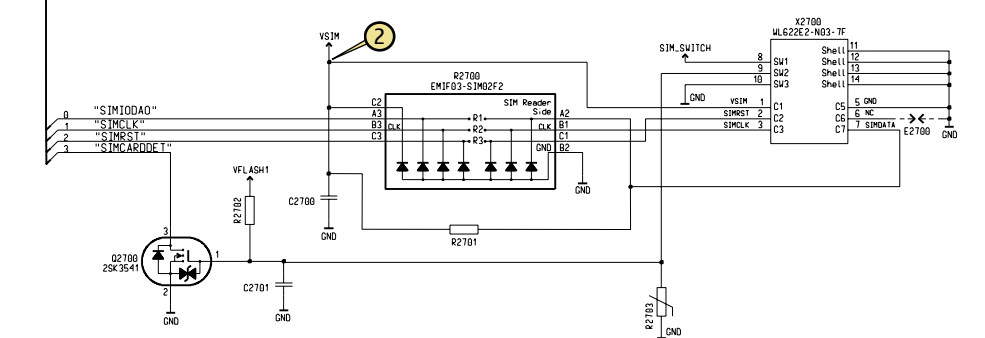
### Reset circuit

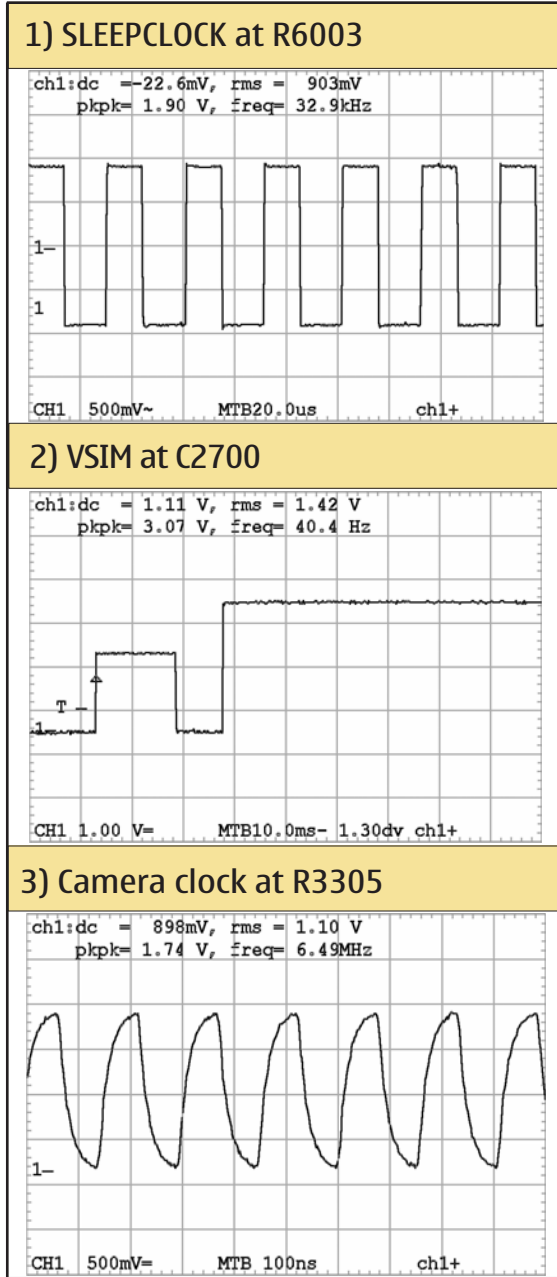


### RTC circuit



### SIM interface





C	C2405	J2	C2429	J4	C2461	S5	C2501	M5	C3307	M3	C6184	M4	L	N2425	J3	R2023	M2	R2420	N6	R2508	M6	R3313	N5	V2502	M5	X3320	K5	
C2000	M2	C2406	J2	C2430	J4	C2462	S5	C2503	M5	C3308	L5	C6185	M4	L2426	J4	N2480	N6	R2026	M2	R2421	N6	R2700	N5	R6002	M3	X	Z	
C2001	L2	C2407	J2	C2431	K4	C2465	U4	C2700	O5	C3309	M4	D	L2427	J4	N2500	L5	R2027	M2	R2422	N6	R2701	O5	R6003	N3	X2000	L4	Z2430	T6
C2005	N2	C2420	N6	C2432	J4	C2466	R6	C2701	O6	C3310	M5	D2020	L2	L2502	L6	Q	R2028	M4	R2425	J3	R2702	O6	R6162	N3	X2005	J2	Z2440	S6
C2006	H6	C2421	N6	C2435	K4	C2467	Q6	C3301	N4	C3314	L3	D2021	M2	L2503	K6	Q2022	L2	R2081	L3	R2426	J3	R2703	O6	V	X2420	J5	Z2460	T5
C2020	M2	C2422	N5	C2436	J4	C2480	N6	C3302	M4	C6000	N3	D3300	L4	L3300	K4	Q2700	O6	R2082	L3	R2427	J3	R3303	M5	V2000	O6	X2460	T5	
C2021	L2	C2425	J3	C2437	J4	C2481	M6	C3303	M4	C6001	N3	D6000	N4	L3320	M4	R	R2161	T5	R2432	S4	R3304	L5	V2020	K2	X2500	M6		
C2023	C6	C2426	K3	C2438	J4	C2482	M6	C3304	M4	C6002	N5	F	N	R2020	L2	R2167	T5	R2433	M3	R3305	M4	V2425	J3	X2501	N6			
C2080	L3	C2427	K4	C2451	T2	C2483	N6	C3305	L5	C6003	N5	F1000	U6	N2080	K3	R2021	L2	R2168	T4	R2506	L6	R3307	M4	V2426	J4	X2502	N6	
C2081	M3	C2428	J4	C2460	S4	C2500	K5	C3306	K4	C6004	O3			N2400	J2	R2022	L2	R2401	J2	R2507	L5	R3308	M4	V2429	T4	X2700	Q4	

**Please note:**  
Red marked components are for measurement purposes only; only parts written in black fonts may be exchanged - for details refer to corresponding spare parts Service Bulletin!

