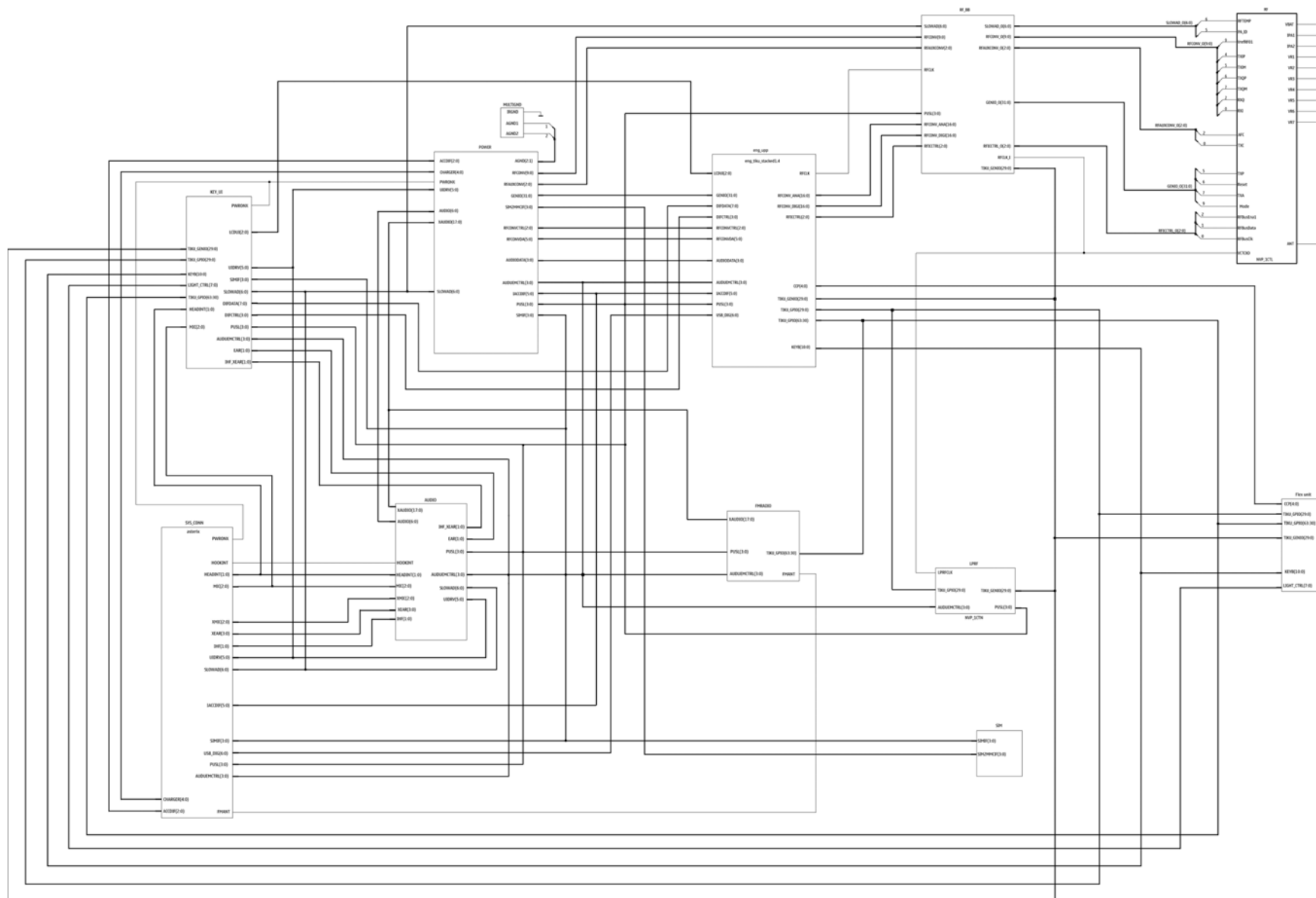


■ Schematics

BB-RF connections



Flex connection

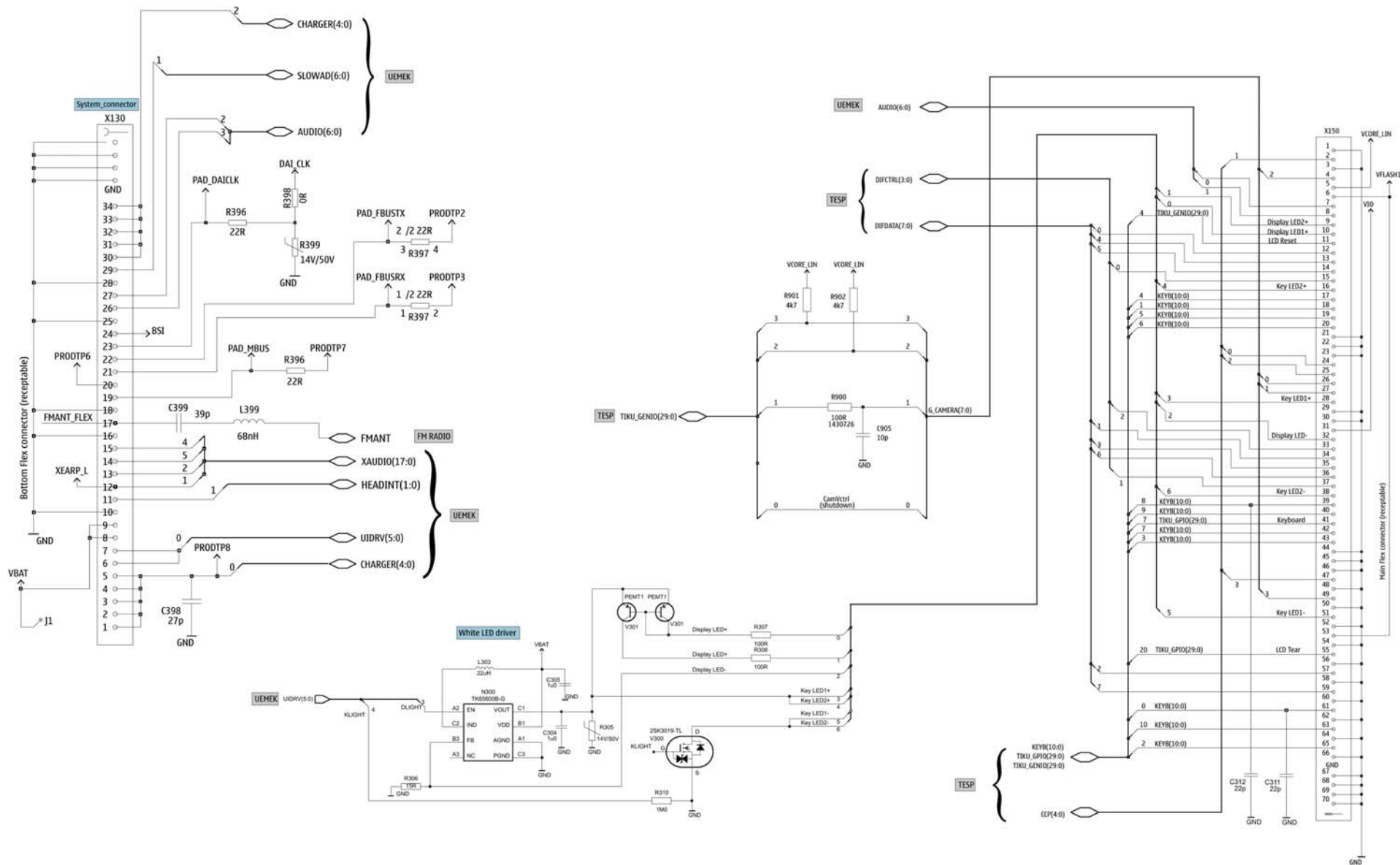


Figure 127 Flex connection

UEM, SIM

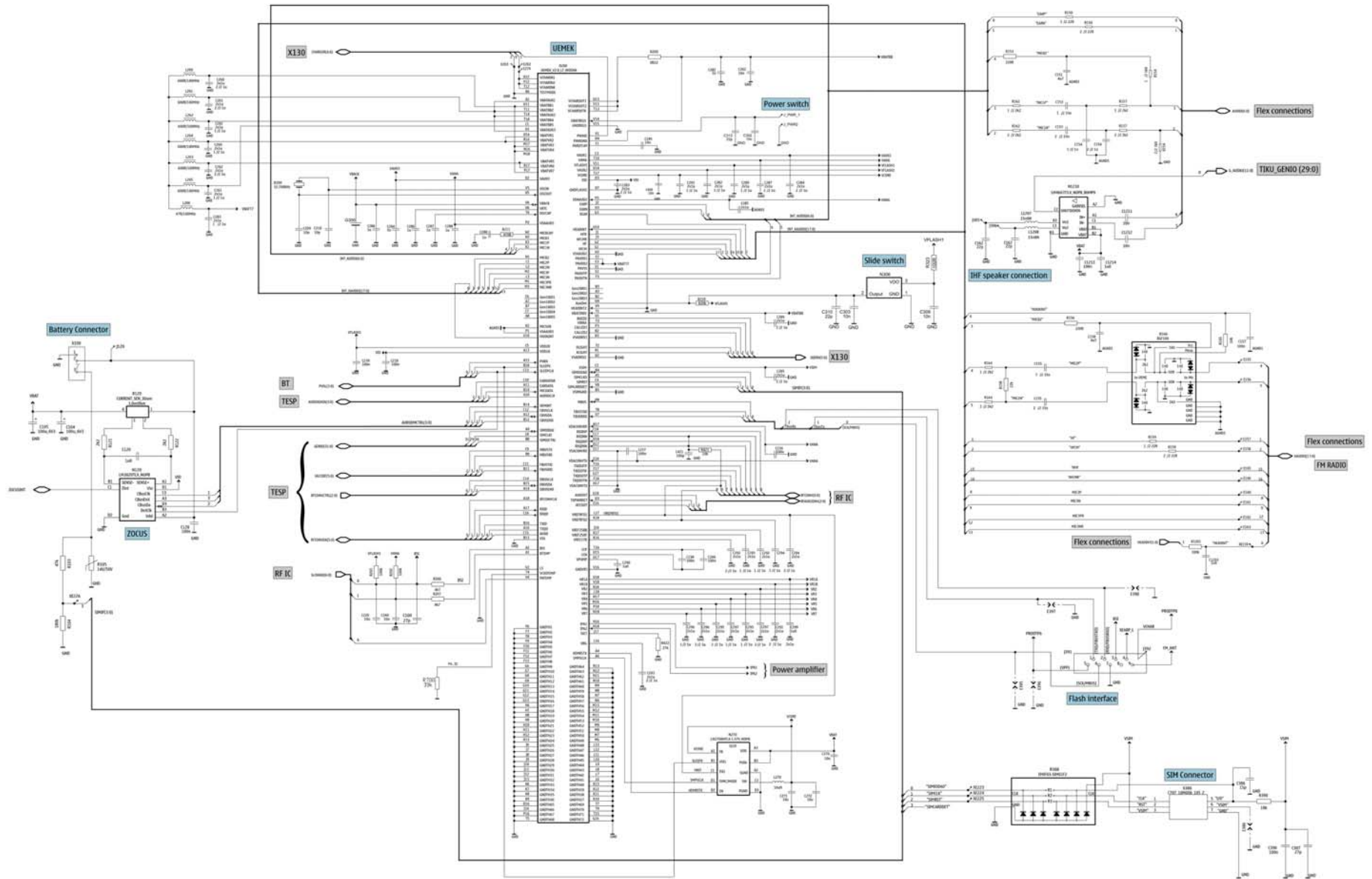


Figure 128 UEM, SIM

TESP, TESM

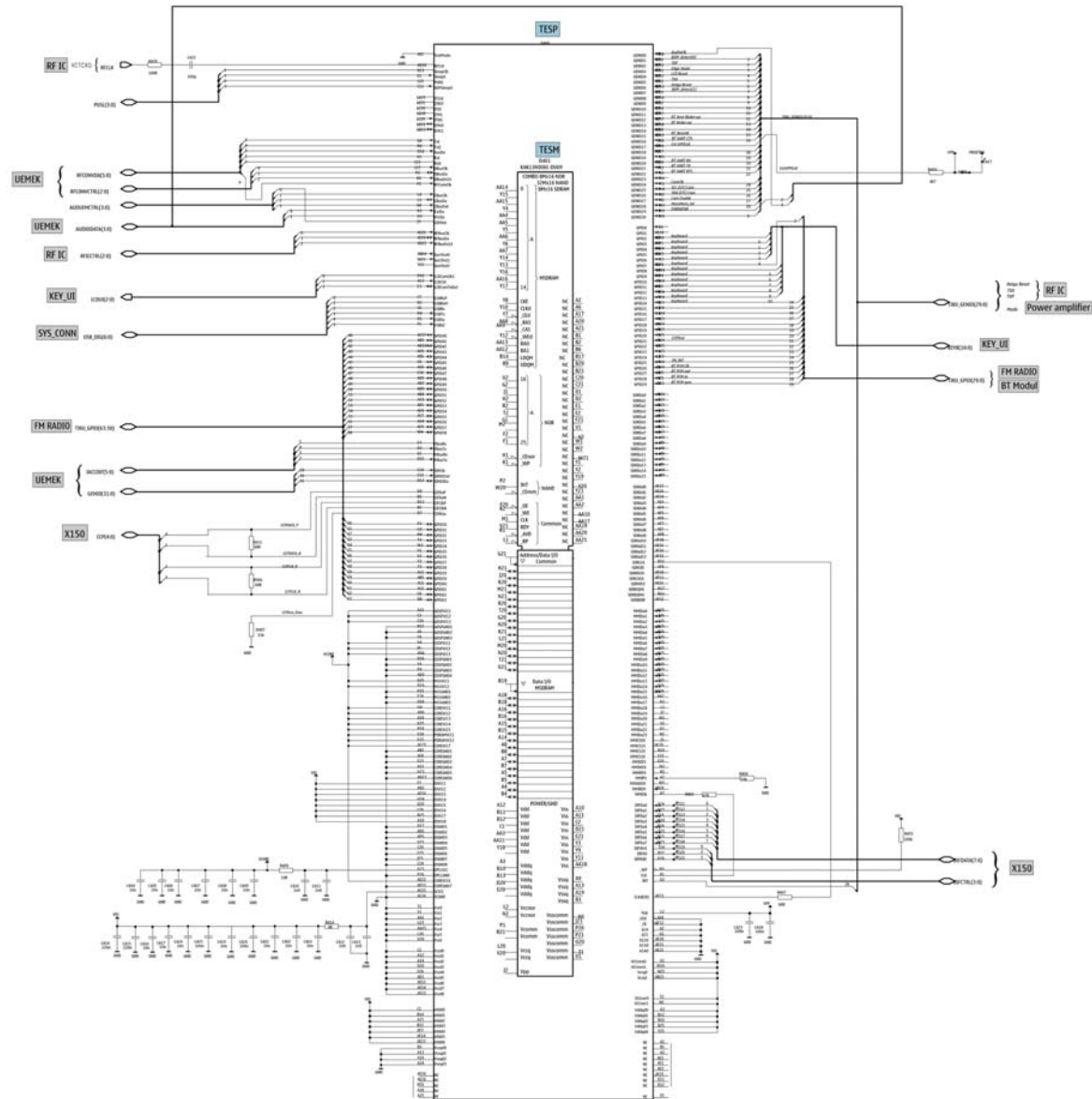


Figure 129 TESP, TESM

FM radio

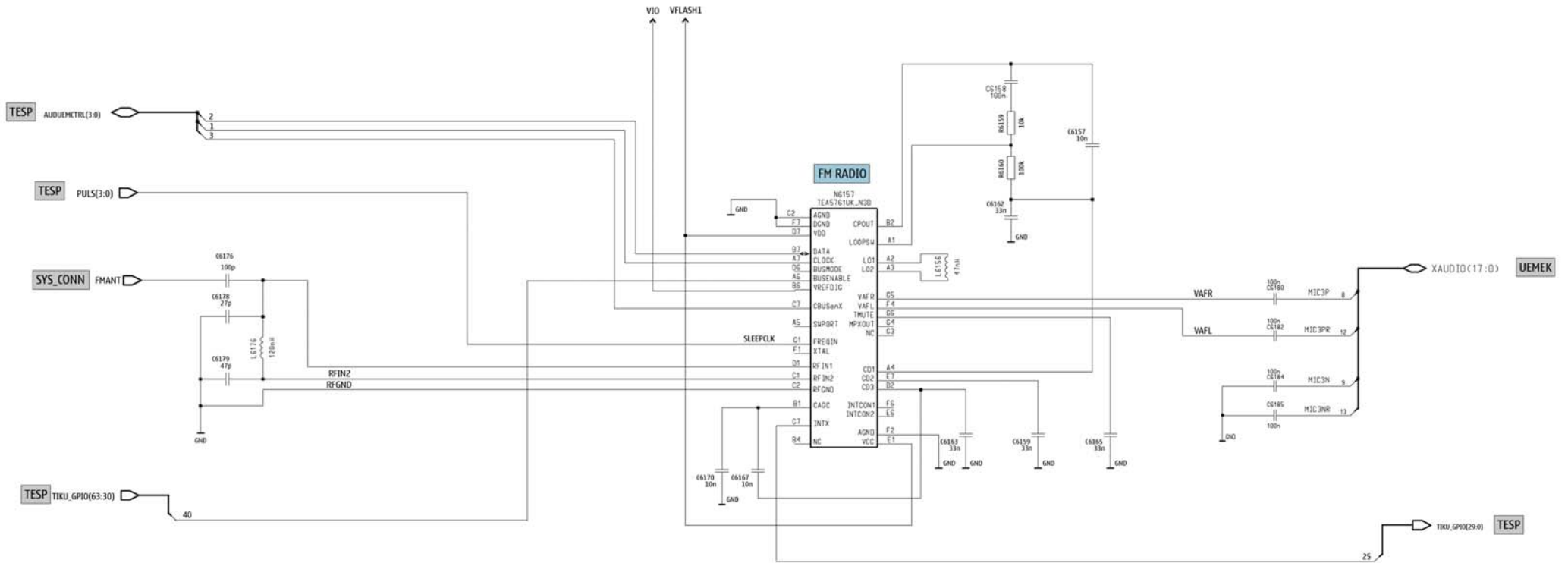


Figure 130 FM radio

Bluetooth

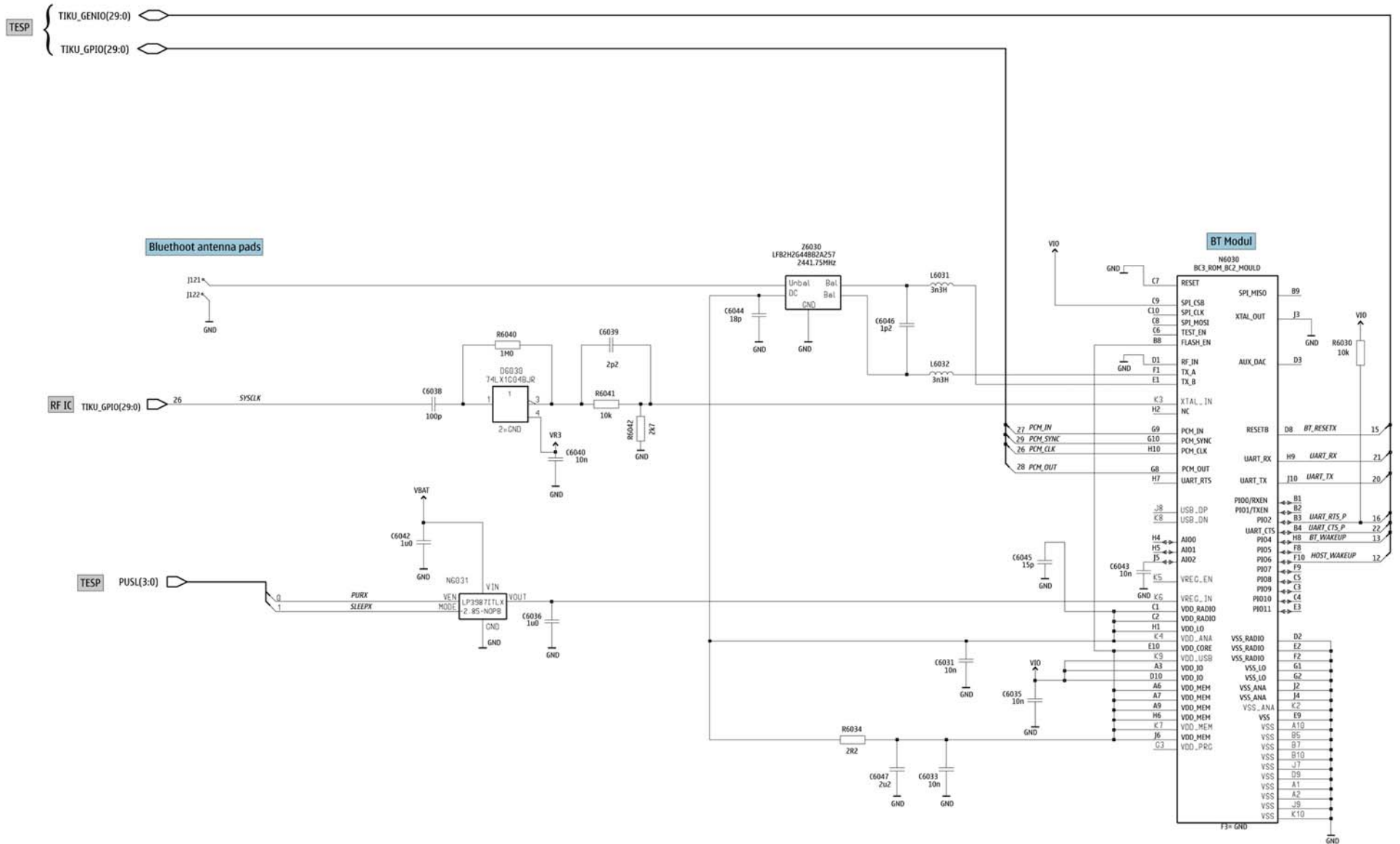


Figure 131 Bluetooth

RF-part

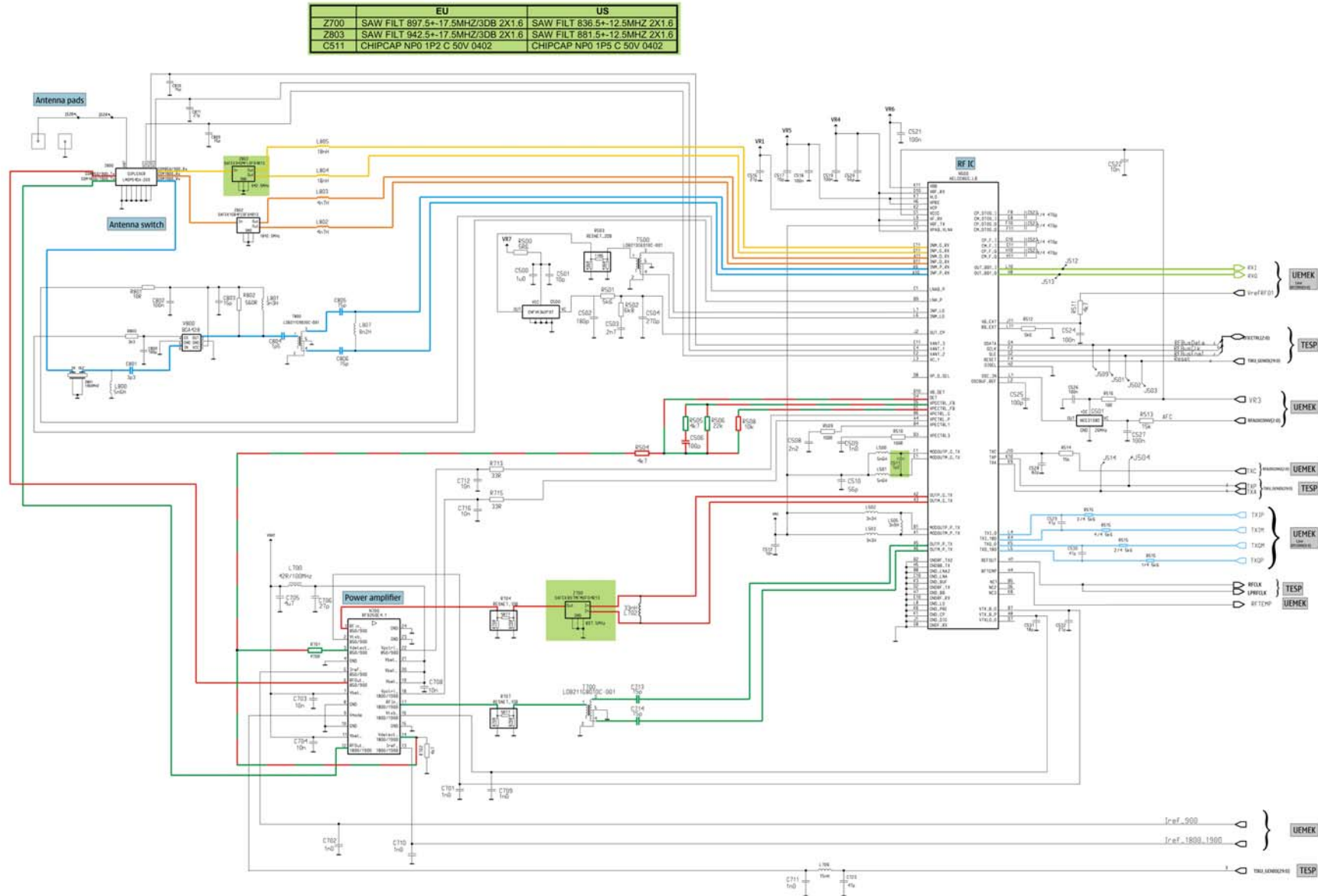


Figure 132 RF-part

Component finder

Only exchangeable components listed!

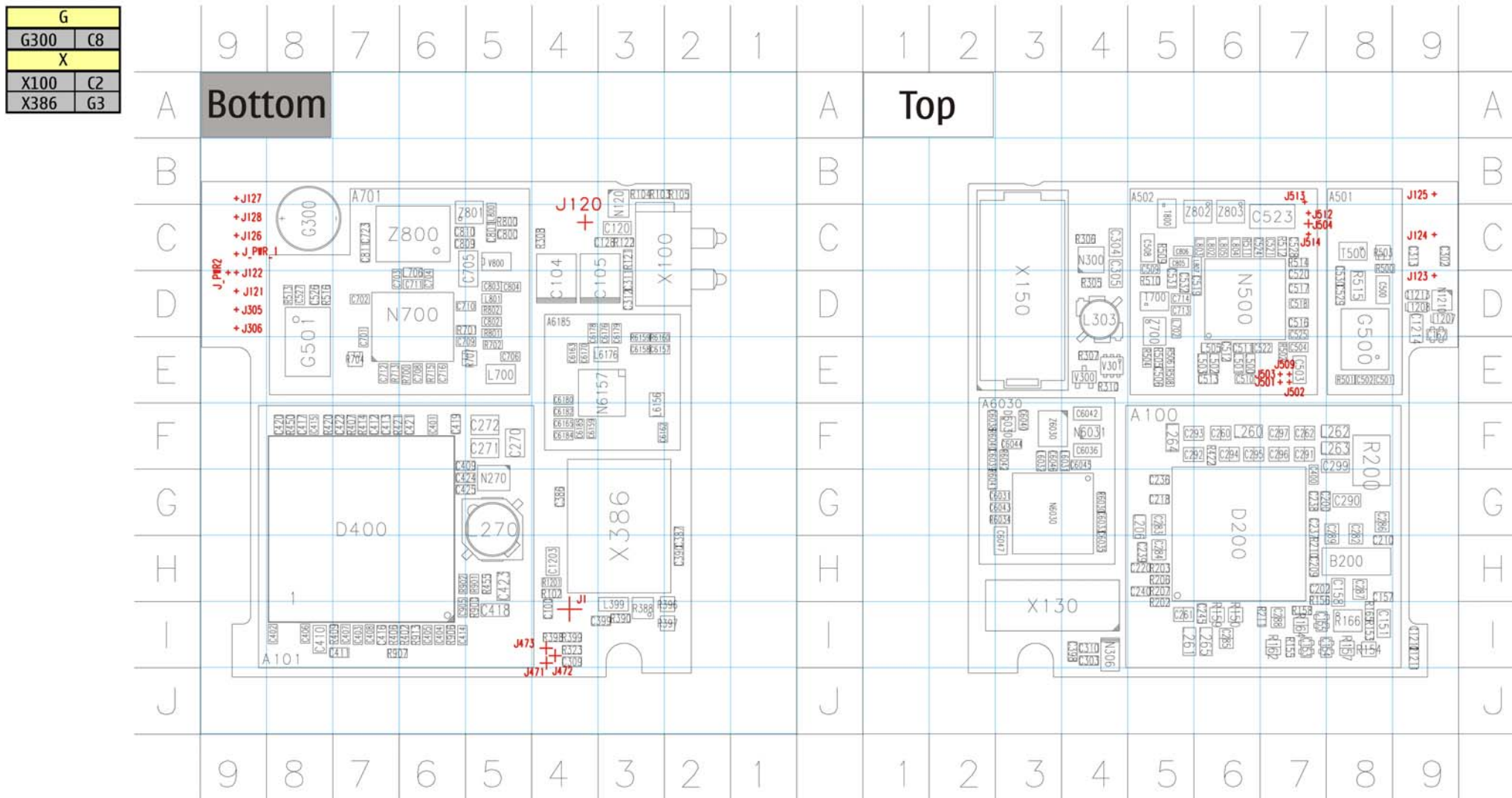


Figure 133 Component finder