

Nokia 202

RM-834

20.02.2012

v1.0



IMPORTANT

This document is intended for use by authorized Nokia service centers only. Please use the document together with other documents such as the Service Manual and Service Bulletins.

Version information

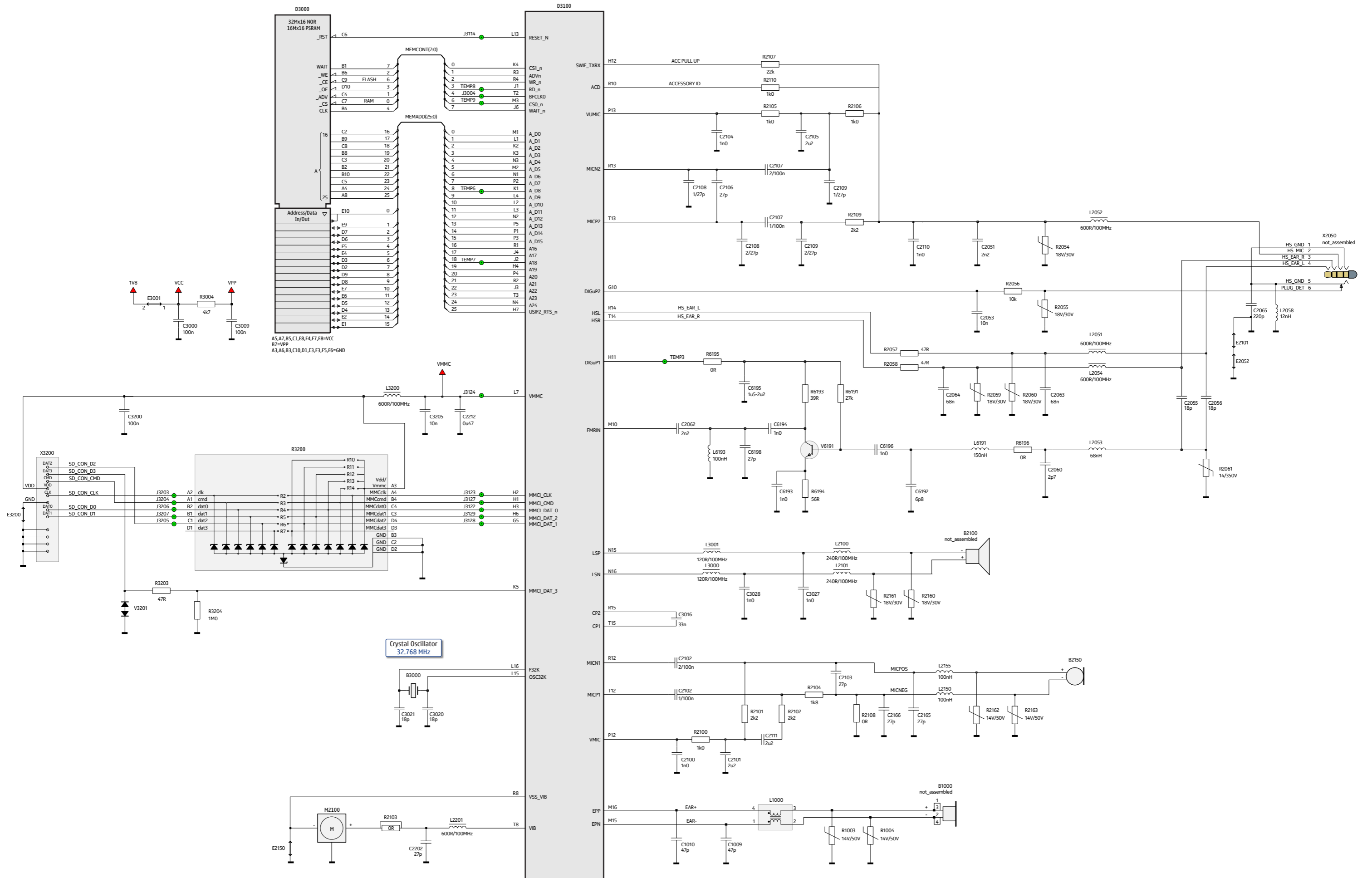
While every effort has been made to ensure that the document is accurate, some errors may exist. Please always check for the latest published version for this document.

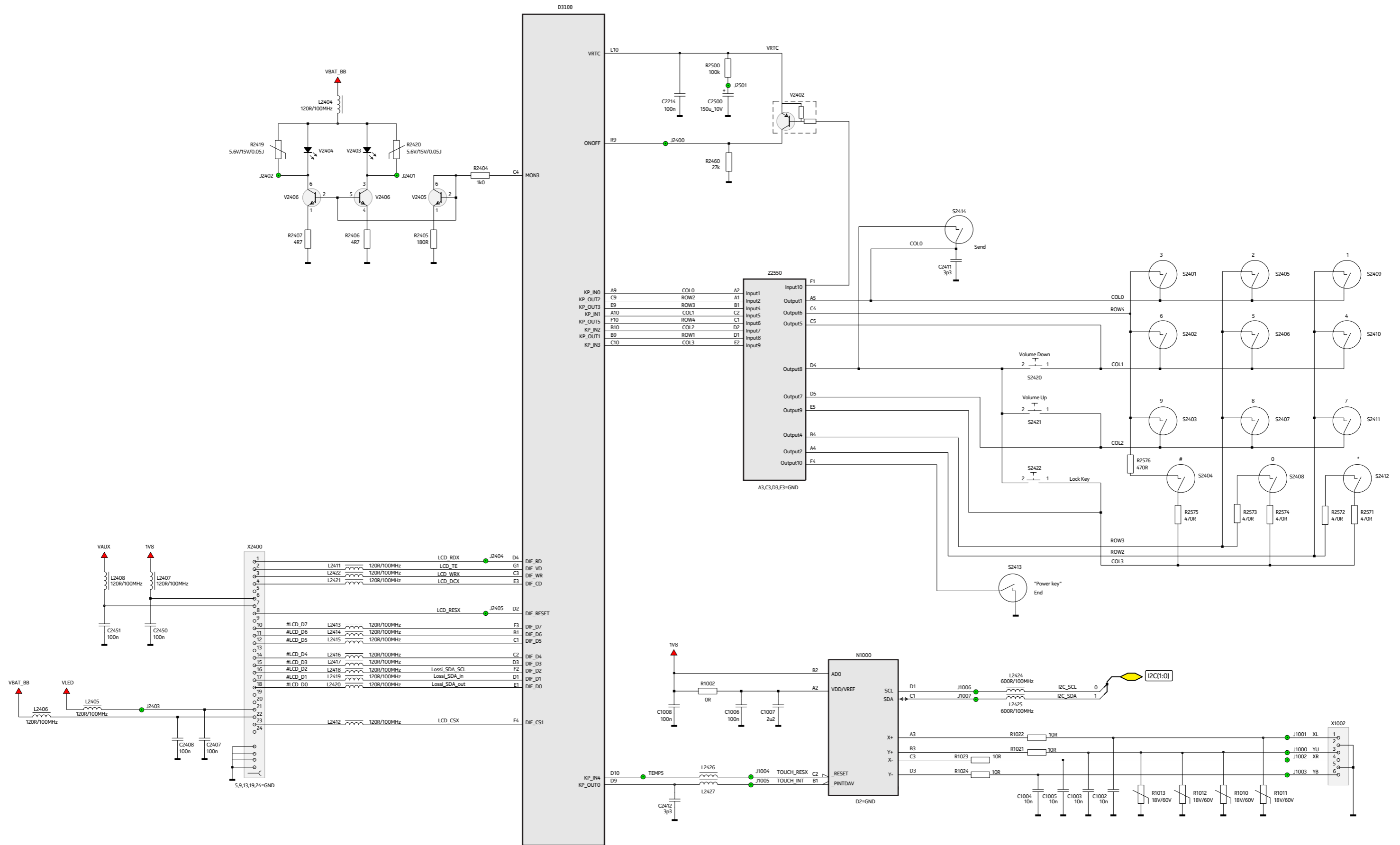
If you find any errors in the document please send email to: service.manuals@nokia.com

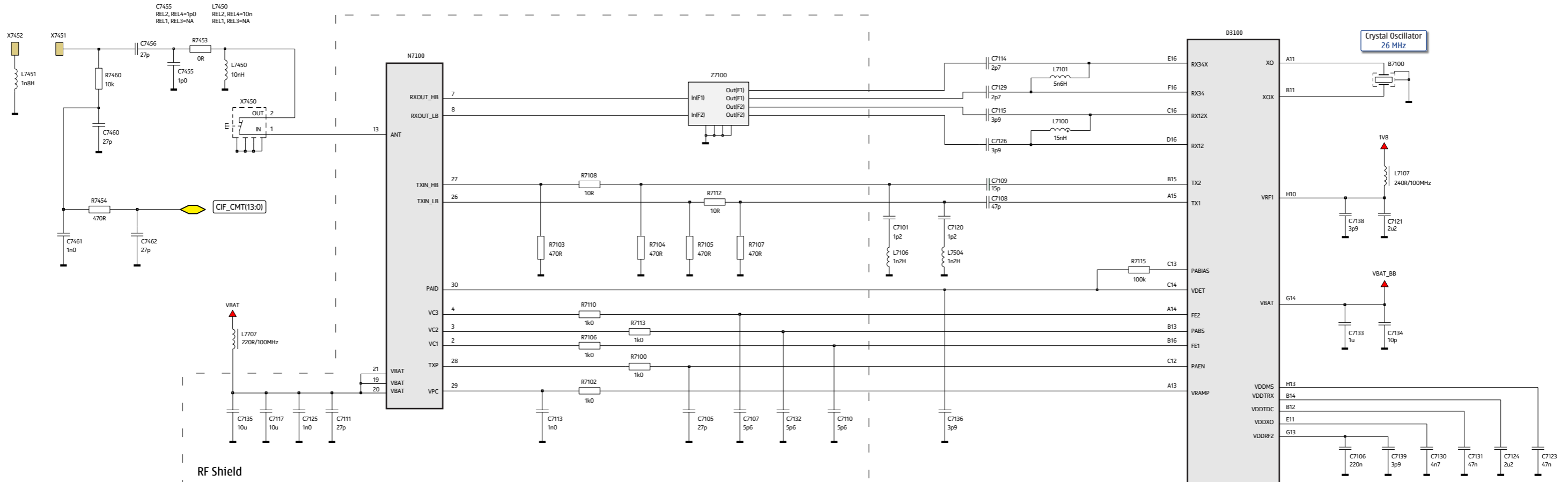
1.0 First approved version.

Contents

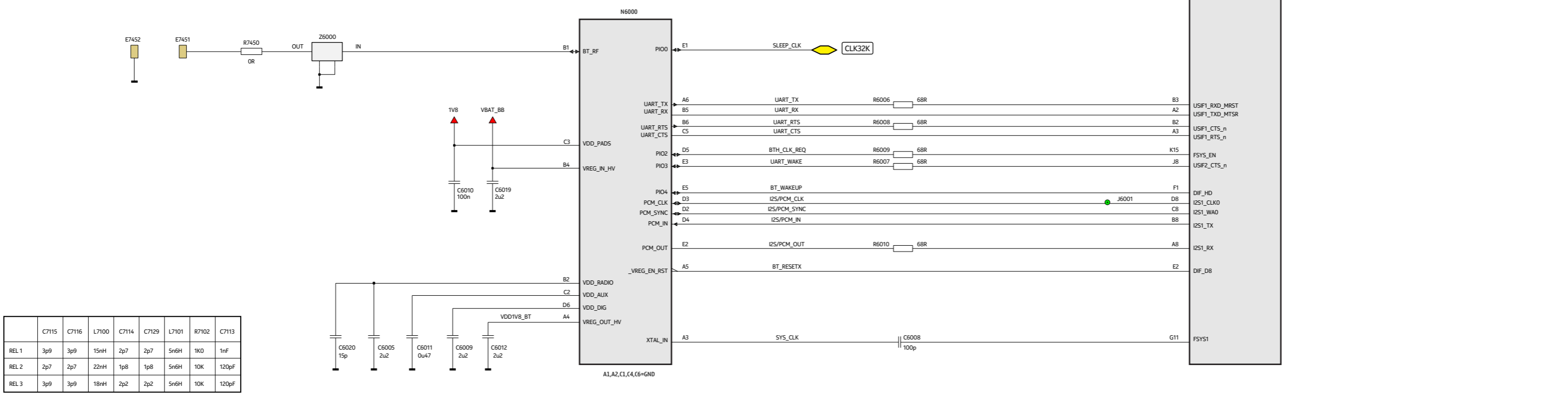
- 1 Front page
- 2 X-GOLD, Power, HS USB, Camera, DUAL SIM easy swap
- 3 X-GOLD, Memory, MMC, Audio, AV connector
- 4 X-GOLD, keyboard, Display interface, Touch interface
- 5 X-GOLD, RF part, BTH
- 6 Component finder top
- 7 Component finder bottom



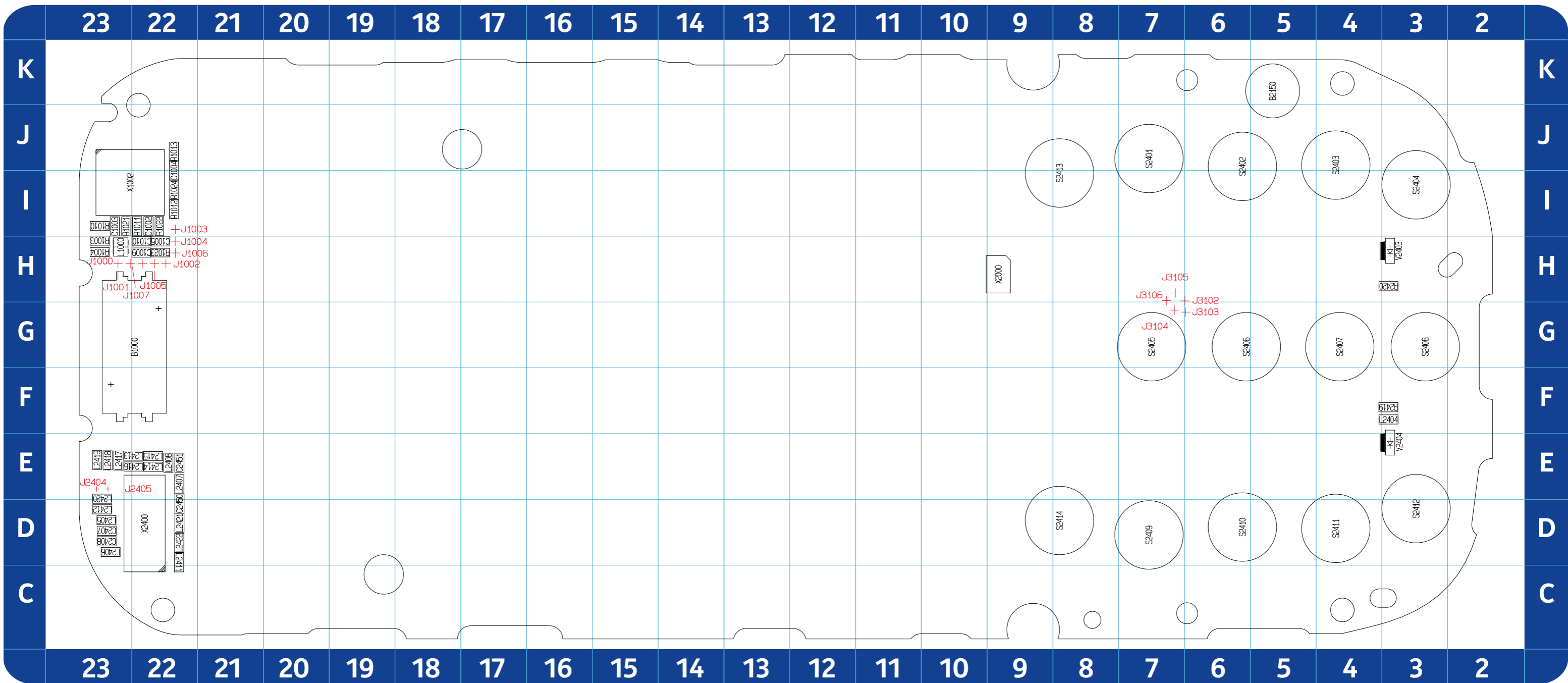




RF Shield



	C7115	C7116	L7100	C7114	C7129	L7101	R7102	C7113
REL 1	3p9	3p9	15nH	2p7	2p7	5n6H	1K0	1nF
REL 2	2p7	2p7	22nH	1p8	1p8	5n6H	10K	120pF
REL 3	3p9	3p9	18nH	2p2	2p2	5n6H	10K	120pF



B	L2411	D22	R1023	H22	
B1000	G22	L2412	D23	R1024	I22
B2150	K5	L2413	E22	R2419	F3
C	L2414	E22	R2420	H3	
C1002	I22	L2415	E22	V	
C1003	I23	L2416	E22	V2403	H3
C1004	J22	L2417	E23	V2404	E3
C1005	H22	L2418	E23	X	
C1009	H22	L2419	E23	X1002	I23
C1010	H22	L2420	E23	X2000	H9
C2407	D23	L2421	D22	X2400	D22
C2408	D23	L2422	D22		
C2450	D22	R			
C2451	E22	R1003	H23		
L	R1004	H23			
L1000	H23	R1010	I23		
L2404	F3	R1011	I22		
L2405	D23	R1012	I22		
L2406	D23	R1013	J22		
L2407	E22	R1021	I23		
L2408	E22	R1022	I22		

www.s-manuals.com