

Service schematics

Nokia Asha 300

RM-781

IMPORTANT

This document is intended for use by authorized Nokia service centers only. Please use the document together with other documents such as the Service Manual and Service Bulletins.

Version information

While every effort has been made to ensure that the document is accurate, some errors may exist. Please always check for the latest published version for this document.

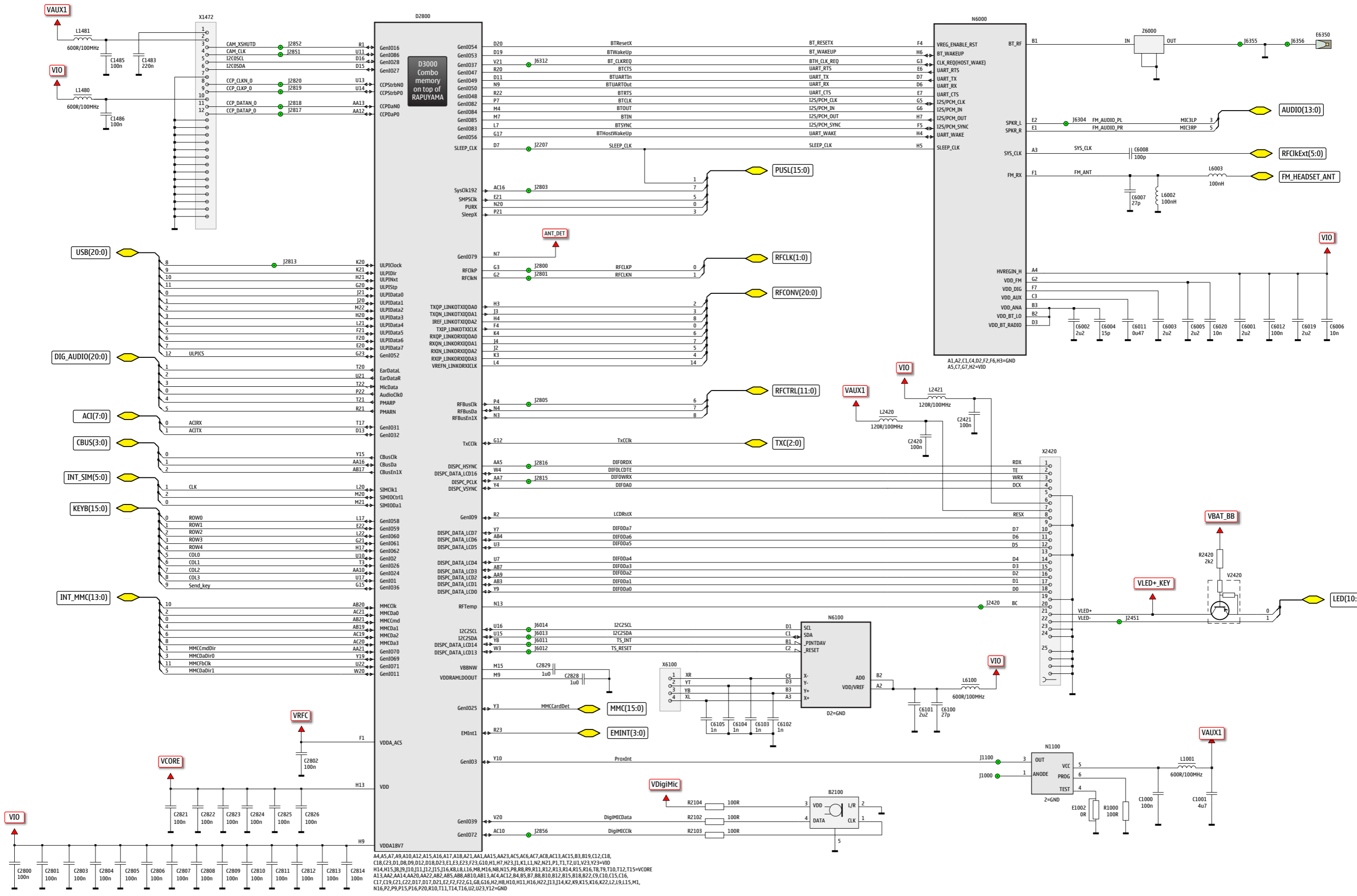
If you find any errors in the document please send email to: service.manuals@nokia.com

1.0 First approved version.



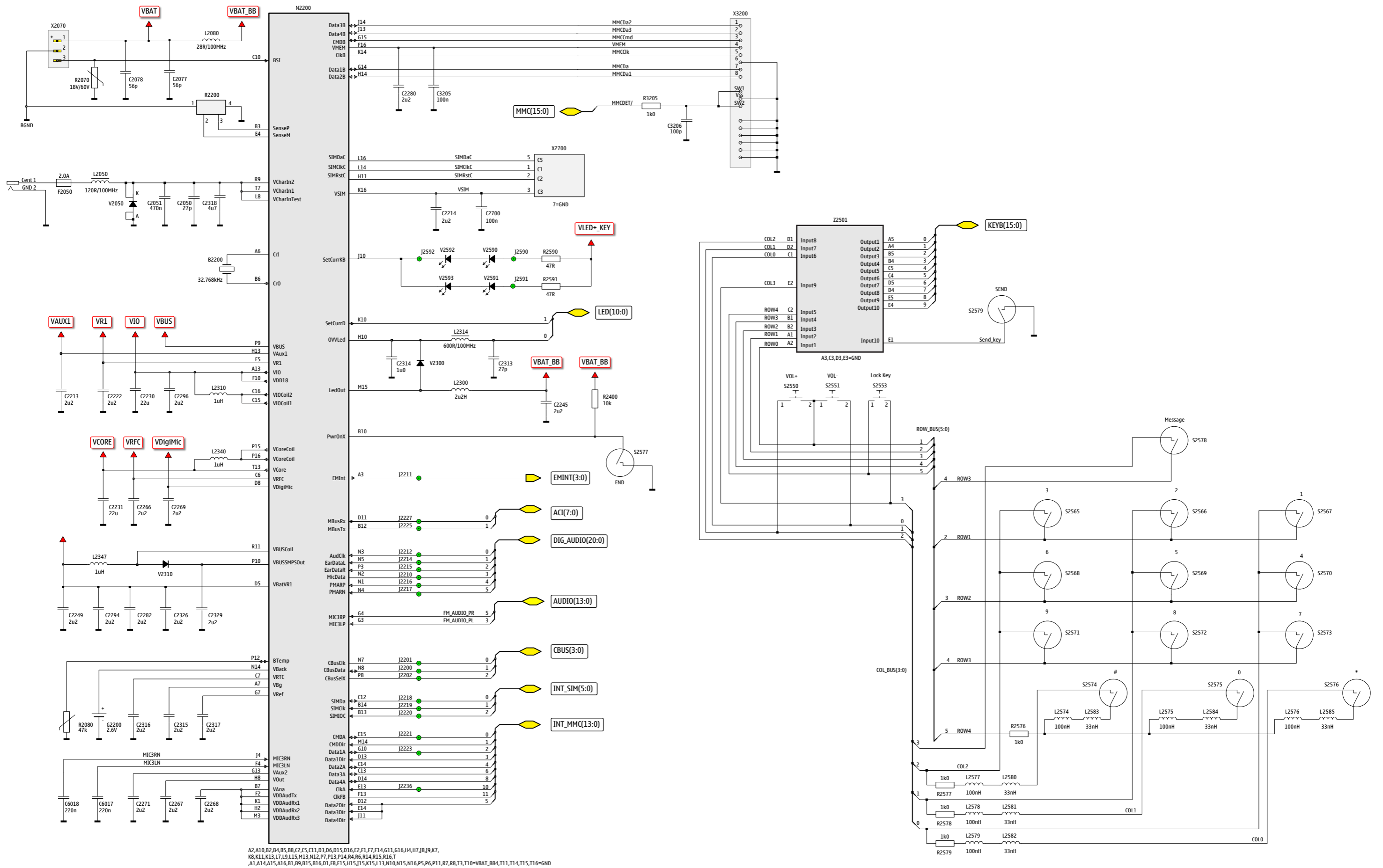
Contents

Front page	1
RAPUYAMA, Display IF, Digital MIC, Touch IF, BT/FM, Camera, Sensor	2
PEARLJ, Charging, SIM, SD card, Keyboard	3
PEARLJ, USB, AV connector, Audio	4
RF part	5
Component finder top	6
Component finder bottom	7

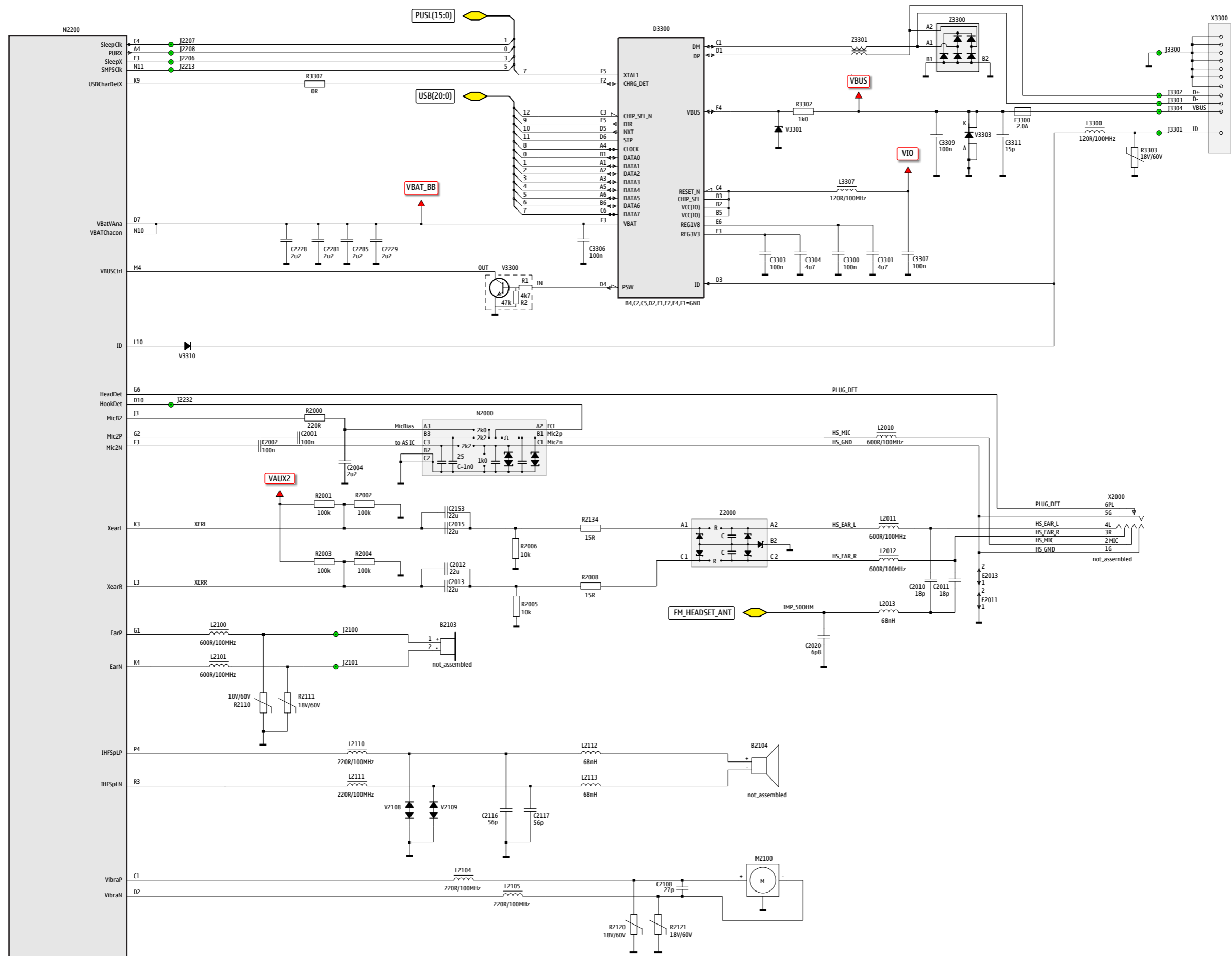


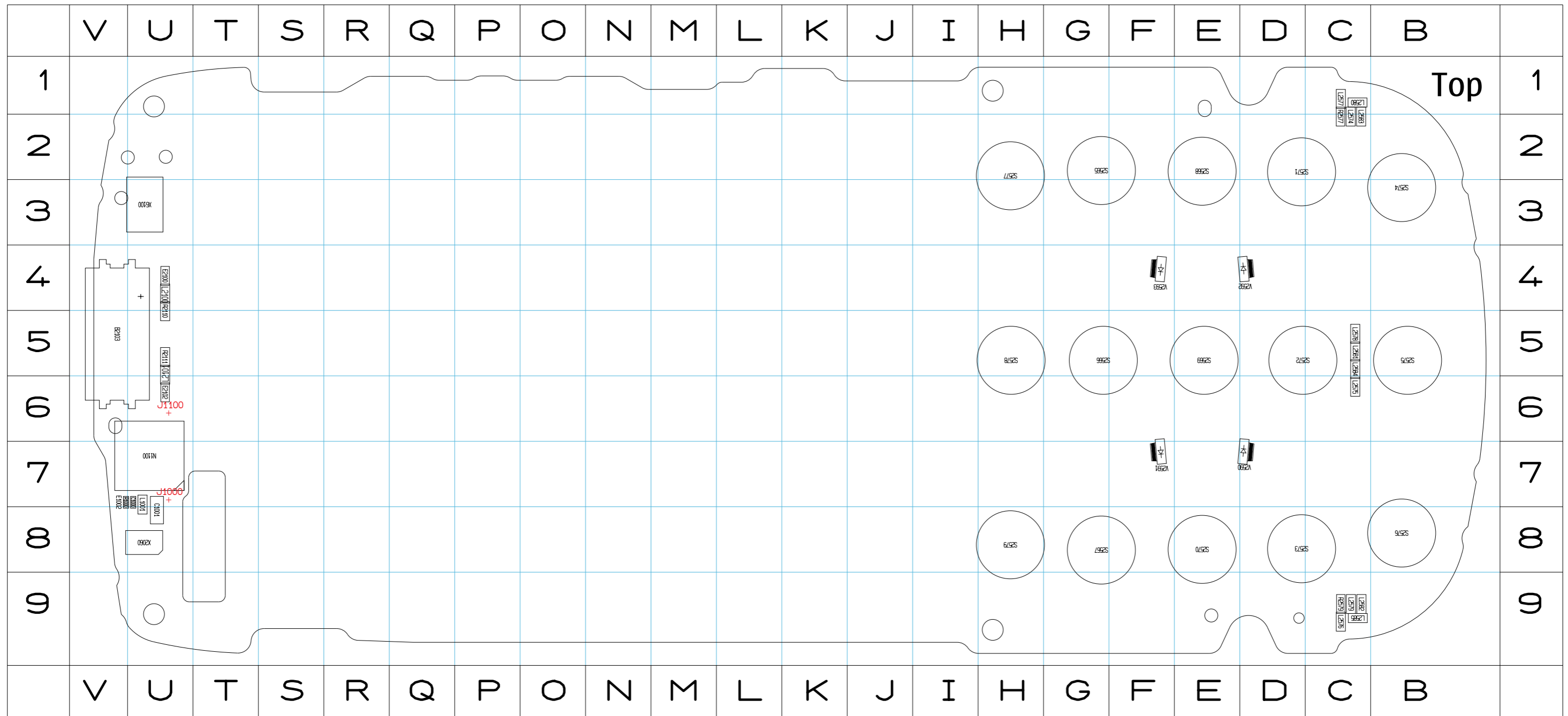
A4,A5,A7,A9,A10,A12,A15,A16,A17,A18,A21,AA1,AA15,AA23,ACS,AC6,AC7,AC8,AC13,AC15,B3,B19,C12,C18,C18,C23,D1,D8,D9,D12,D18,D23,E1,E3,E23,F23,G10,H1,H7,H23,J1,K1,L1,N2,N21,P1,T1,T2,U1,V23,Y23=VIO
H14,H15,J8,J9,J10,J11,J12,J15,J16,K8,L8,L16,M8,M16,N8,N15,P8,R8,R9,R11,R12,R13,R14,R15,R16,T8,T9,T10,T12,T15=VIO
A13,AA2,AA14,AA20,AA22,AB2,AB5,AB8,AB10,AB13,AC4,AC12,B4,B5,B7,B8,B10,B12,B15,B18,B22,C9,C10,C15,C16,
C17,C19,C21,C22,D17,D17,D21,E2,F2,F22,G1,G8,G16,H2,H8,H10,H11,H16,H22,J13,J14,K2,K9,K15,K16,K22,L2,L19,L15,M1,
N16,P2,P9,P15,P16,P20,R10,T11,T14,T16,U2,U3,Y12=GND





A2,A10,B2,B4,B5,B8,C2,C5,C11,D3,D6,D15,D16,E2,F1,F7,F14,G11,G16,H4,H7,J8,J9,K7,
 KB,K11,K13,L7,L9,L15,M13,N12,P7,P13,P14,R4,R6,R14,R15,R16,T
 A1,A14,A15,A16,B1,B9,B15,B16,D1,F8,F15,H15,J15,K15,L13,N10,N15,N16,P5,P6,P11,R7,R8,T3,T10=VBAT_BB4,T11,T14,T15,T16=GND





B	L2578	C5	R2111	U5	
B2103	V5	L2579	C9	R2577	C2
C	L2580	C1	R2579	C9	
C1000	U7	L2581	C5	V	
C1001	U8	L2582	C9	V2590	D7
L	L2583	C2	V2591	F7	
L1001	U7	L2584	C5	V2592	D4
L2100	U4	L2585	C9	V2593	F4
L2101	U5	N	X		
L2574	C2	N1100	U7	X2060	U8
L2575	C6	R		X6100	U3
L2576	C9	R1000	V7		
L2577	C1	R2110	U5		

www.s-manuals.com