

Service schematics

Nokia

Asha 311

RM-714

18.06.2012

v1.0



IMPORTANT

This document is intended for use by authorized Nokia service centers only. Please use the document together with other documents such as the Service Manual and Service Bulletins.

Version information

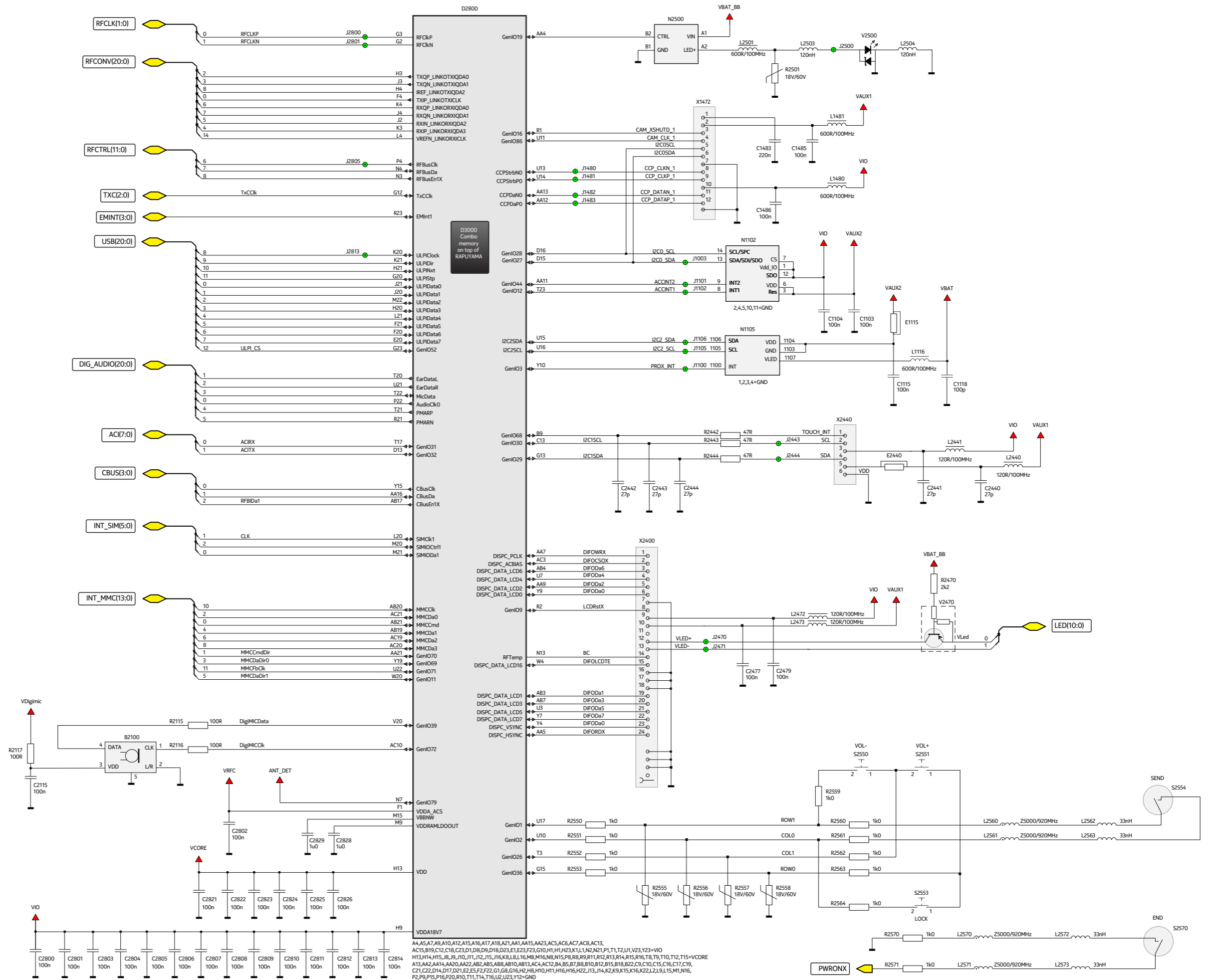
While every effort has been made to ensure that the document is accurate, some errors may exist. Please always check for the latest published version for this document.

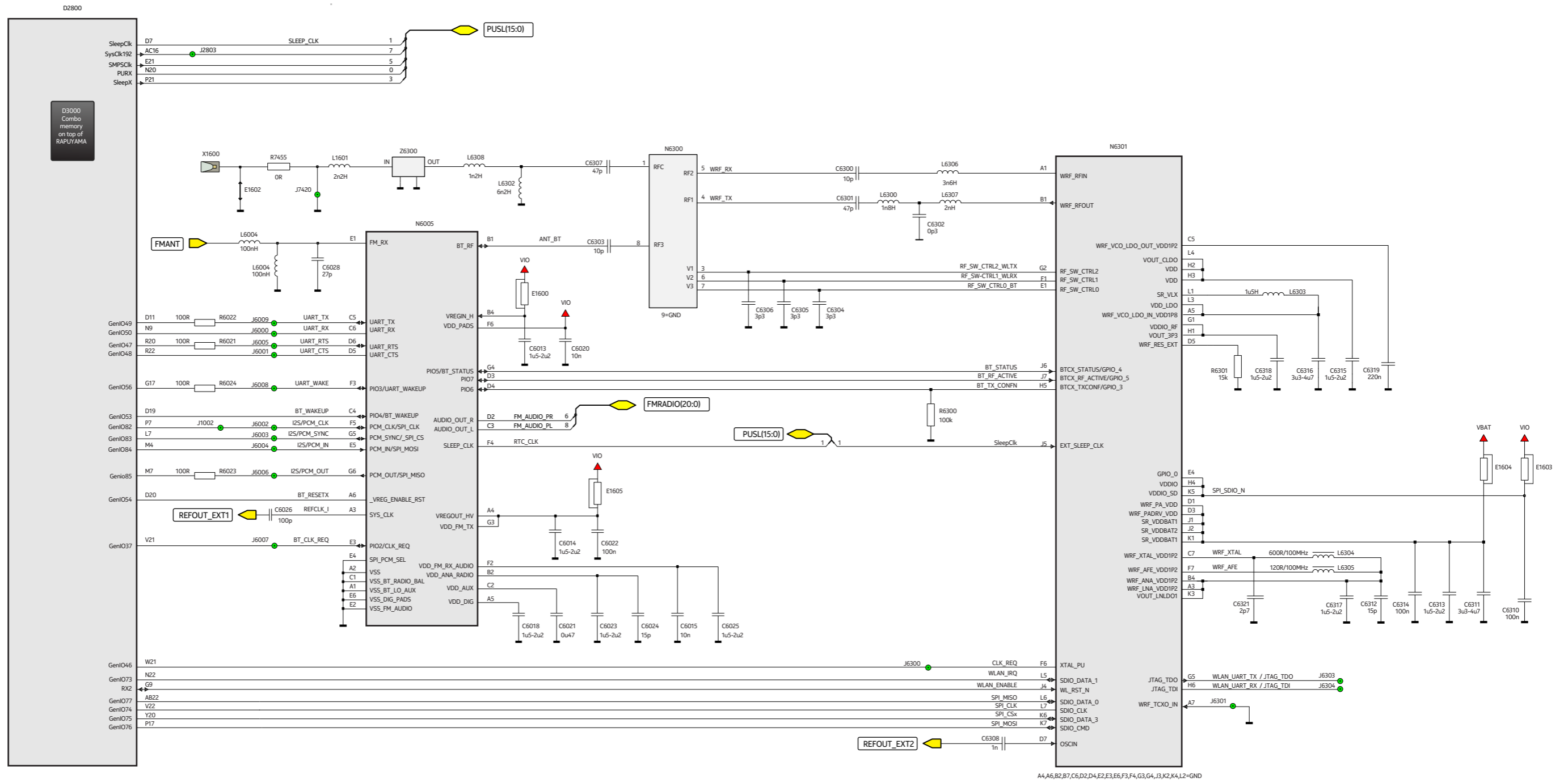
If you find any errors in the document please send email to: service.manuals@nokia.com

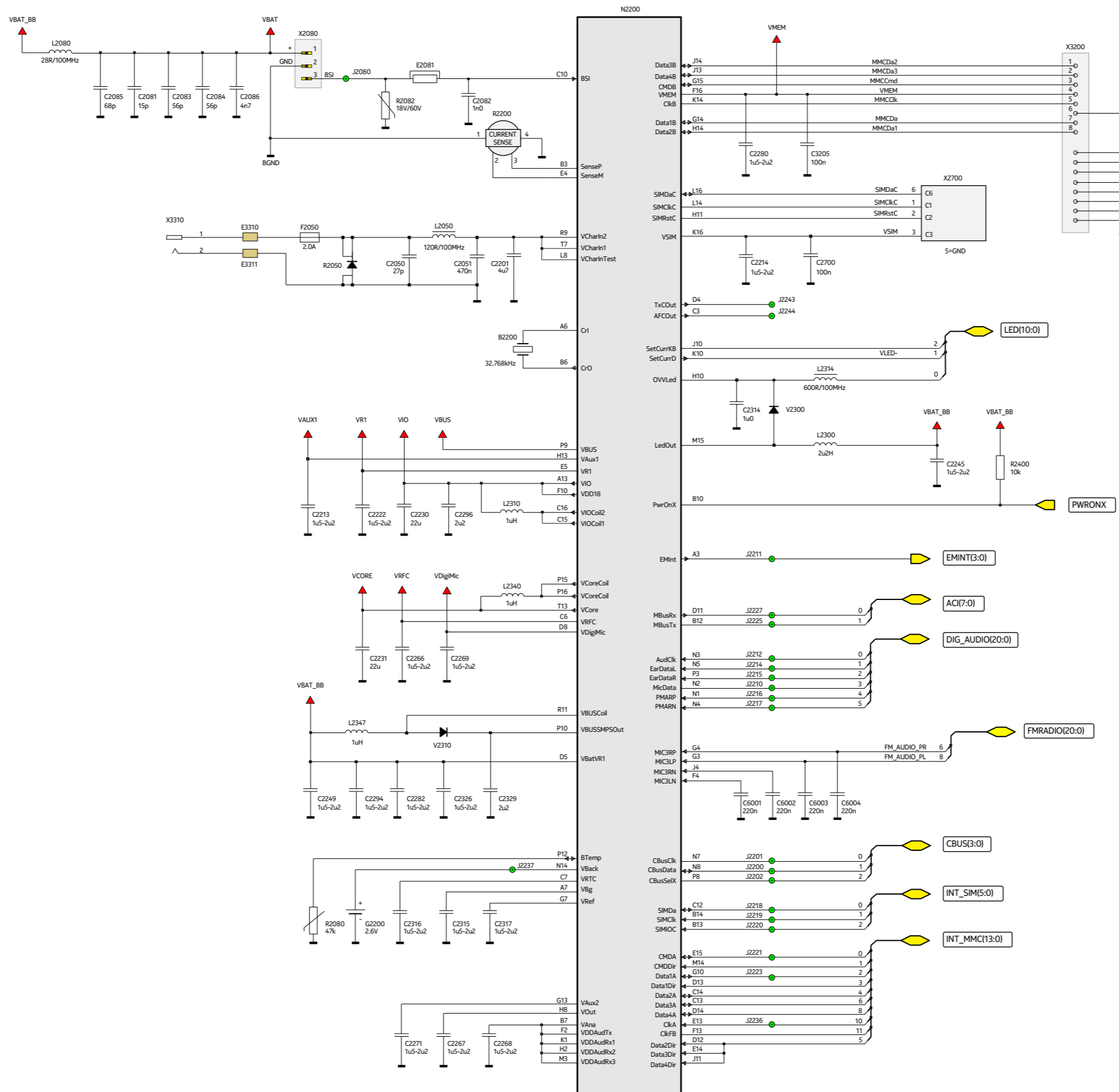
1.0 First approved version.

Contents

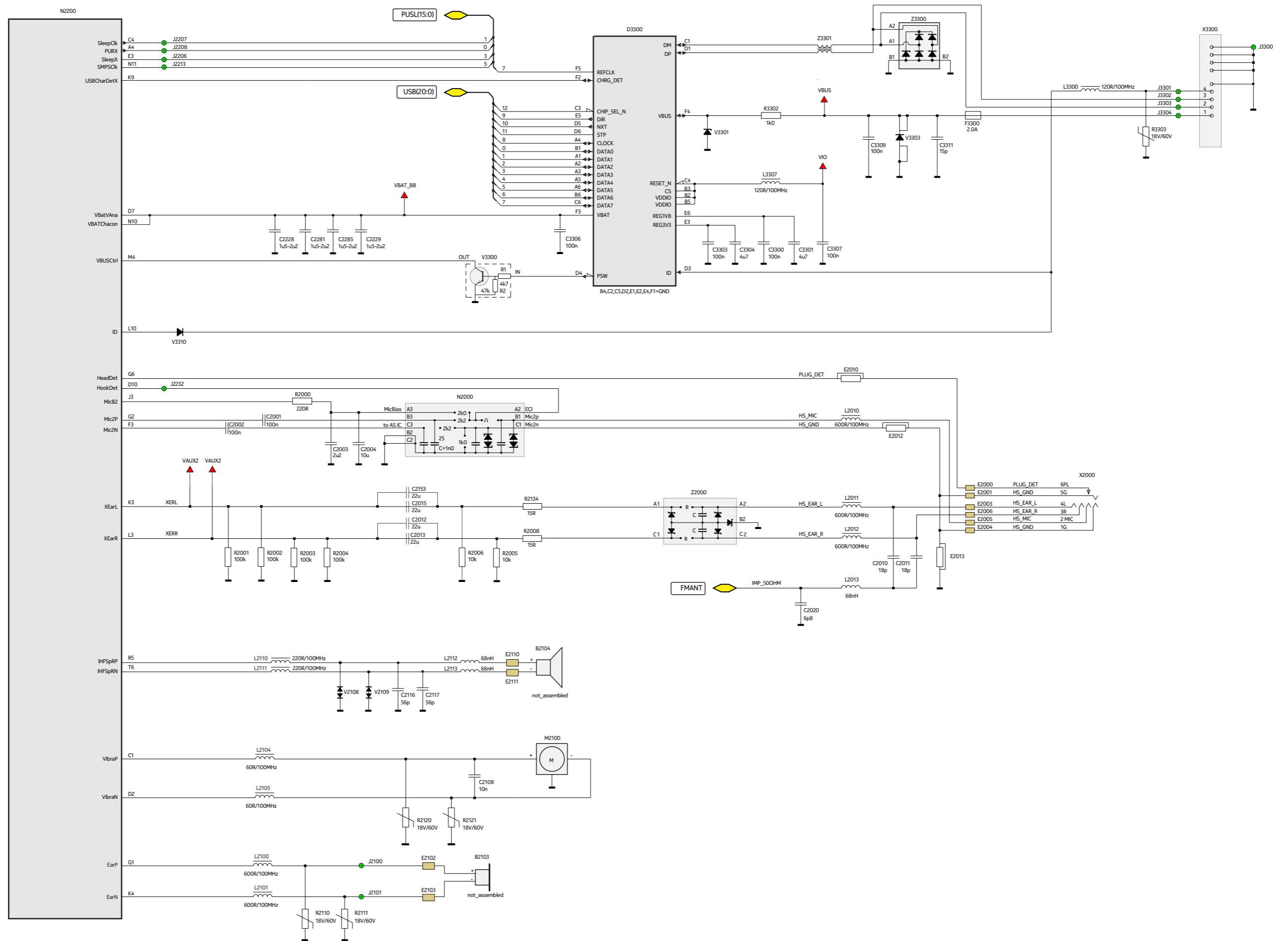
- 1 Front page
- 2 RAPS, Memory, Camera, Touch/Display, LED, Sensors, Mic, Keyboard
- 3 RAPS, BTH, WLAN
- 4 PEARL, SD Card, SIM, Battery connector, Charging
- 5 PEARL, USB, AV Connector, Audio
- 6 RF Part
- 7 Component finder top
- 8 Component finder bottom

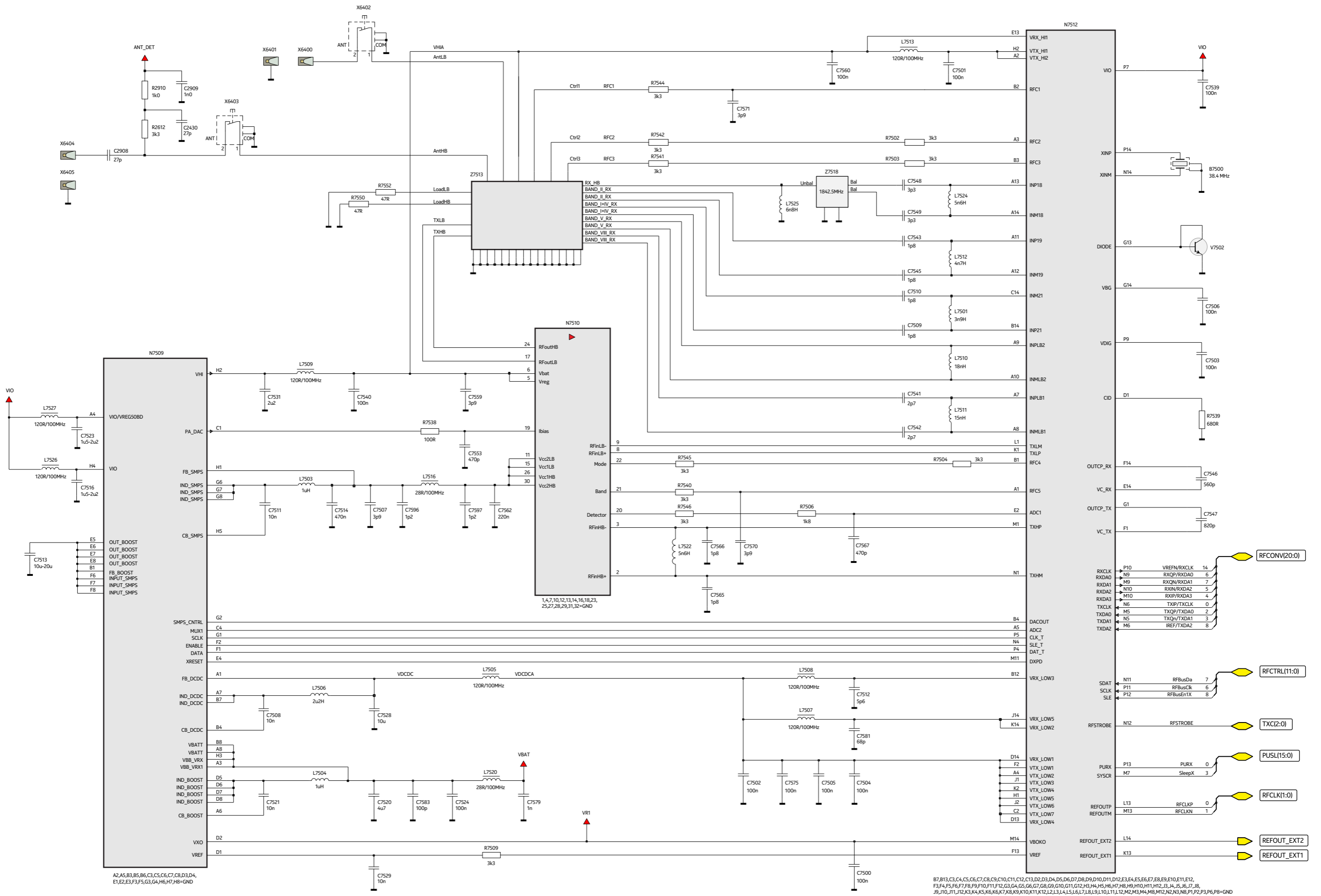






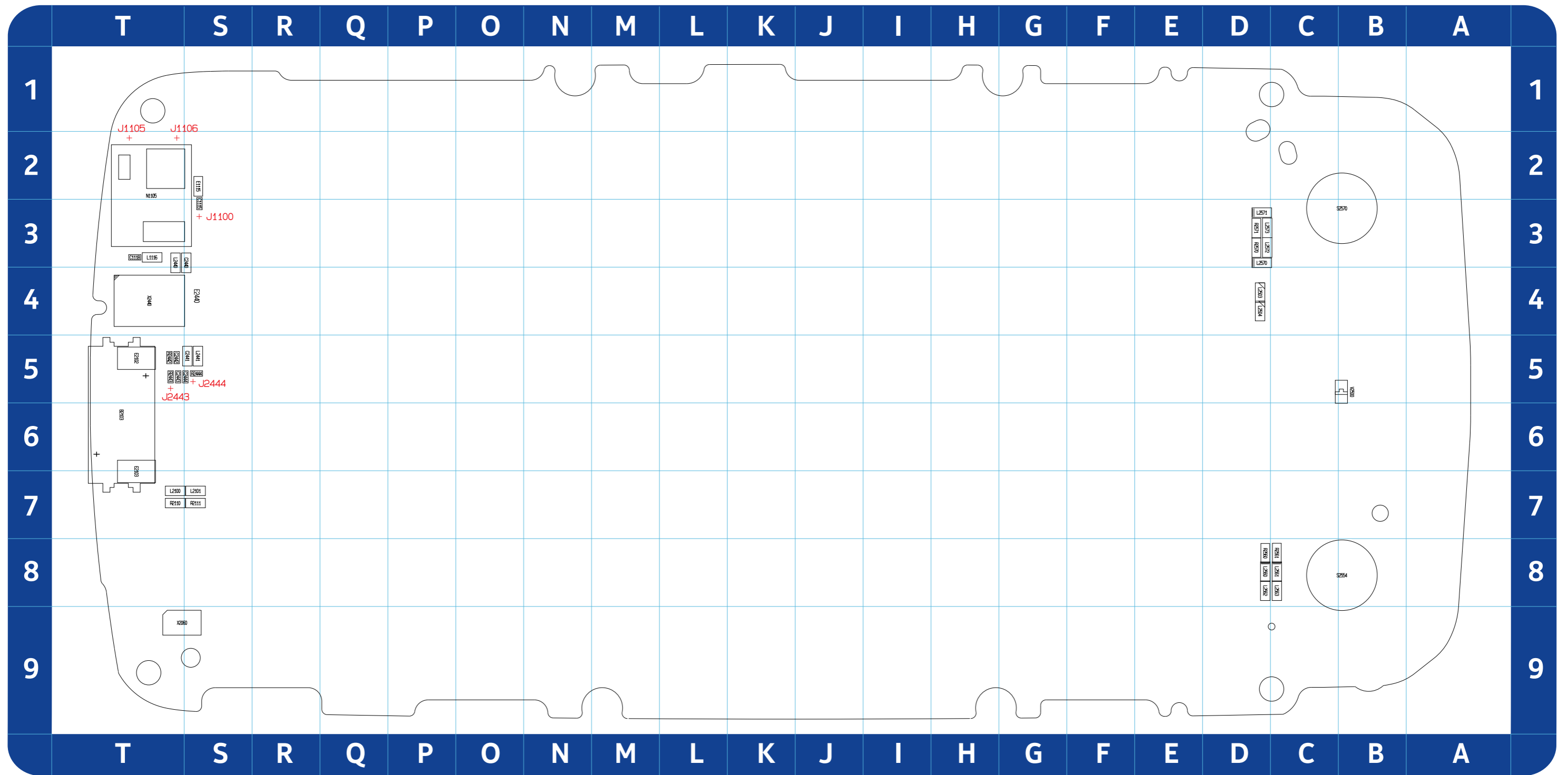
A2,A10,B2,B4,B5,B8,C2,C5,C11,D3,D6,D15,D16,E2,F1,F7,F14,G1,G16,H4,H7,H8,J9,K7,
 K8,K11,K13,L7,L9,L15,M13,M12,P7,P13,P14,R4,R6,R14,R15,R16,T4,T11,T14,T15,T16=GND
 ,A1,A14,A15,A16,B1,B9,B15,B16,D1,F8,F15,H15,J15,K15,L13,N10,N15,N16,P5,P6,P11,R7,R8,T3,T10=VBAT_BB



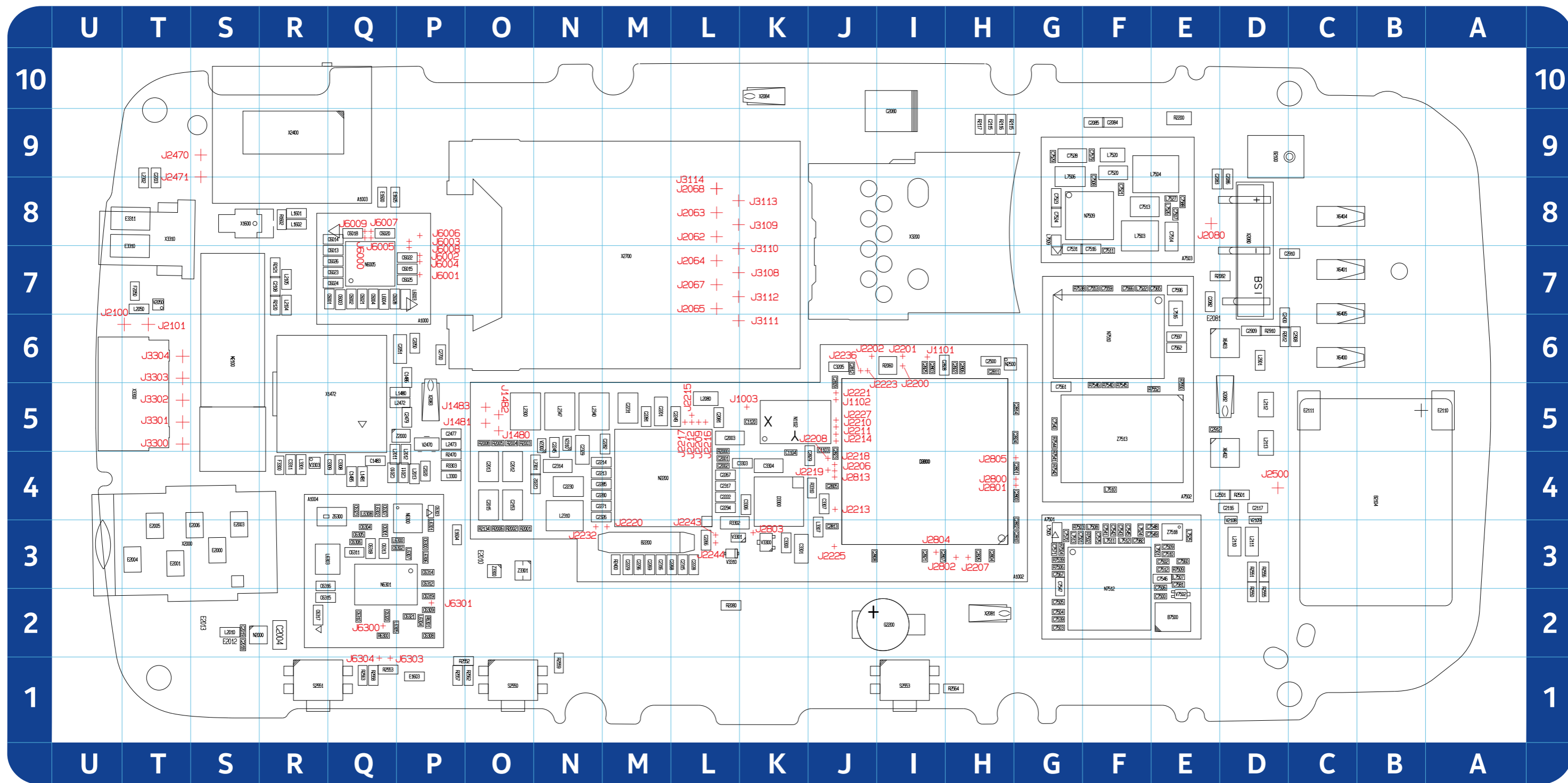


A2,A5,B3,B5,B6,C3,C5,C6,C7,C8,D3,D4,
E1,E2,E3,F3,F5,G3,G4,H6,H7,H8=GND

B7,B13,C3,C4,C5,C6,C7,C8,C9,C10,C11,C12,C13,D2,D3,D4,D5,D6,D7,D8,D9,D10,D11,D12,E3,E4,E5,E6,E7,E8,E9,E10,E11,E12,
F3,F4,F5,F6,F7,F8,F9,F10,F11,F12,G3,G4,G5,G6,G7,G8,G9,G10,G11,G12,H3,H4,H5,H6,H7,H8,H9,H10,H11,H12,I3,I4,I5,I6,I7,I8,
J9,J10,J11,J12,K3,K4,K5,K6,K7,K8,K9,K10,K11,K12,L2,L3,L4,L5,L6,L7,L8,L9,L10,L11,L12,M2,M3,M4,M8,M12,N2,N3,N8,N1,P2,P3,P6,P8=GND



B	E2103	T7	L2563	C8	R2560	D8	
B2103	T6	E2440	S4	L2570	D3	R2561	C8
C	L	L2571	D3	R2570	D3		
C1115	S3	L1116	T3	L2572	D3	R2571	D3
C1118	T3	L2100	T7	L2573	D3	S	
C2440	S3	L2101	S7	N	S2554	B8	
C2441	S5	L2440	T3	N1105	T2	S2570	B3
C2442	T5	L2441	S5	R	V		
C2443	T5	L2503	D4	R2110	T7	V2500	B5
C2444	S5	L2504	D4	R2111	S7	X	
E	L2560	D8	R2442	T5	X2060	T9	
E1115	S2	L2561	C8	R2443	T5	X2440	T4
E2102	T5	L2562	D8	R2444	S5		



B	C2012	O4	C2117	D4	C2271	N4	C2800	G4	C2824	G5	C3311	R4	C6301	Q3	C6319	P2	C7514	E8	C7549	E3	D	E2013	S2	L2012	P4	L2501	D4	L7504	E9	M2100	S6	R2004	O5	R2551	D3	R7502	F3	S2553	I1	X2081	H2	Z3301	O3		
B2100	D9	C2013	O4	C2153	O4	C2280	N4	C2801	G4	C2825	I6	C6001	Q7	C6302	P3	C6320	Q2	C7516	F7	C7553	F7	D2800	I4	E2081	E6	L2013	P4	L2901	D6	L7505	G3	N	R2005	O5	R2552	P1	R7503	G3	V	X2082	D5	Z6300	Q4		
B2104	B4	C2015	O4	C2201	M5	C2281	M5	C2802	G3	C2826	H3	C6002	Q7	C6303	P4	C6321	P2	C7520	F9	C7559	F7	D3000	I4	E2110	A5	L2050	T7	L3300	P4	L7506	G9	N1102	K5	R2006	O3	R2553	Q1	R7504	G3	V2050	T7	X2083	P5	Z7513	F5
B2200	M3	C2018	S2	C2202	N4	C2282	M5	C2803	I6	C2828	I6	C6003	Q7	C6304	Q3	C6323	Q4	C7521	F8	C7560	E3	D3300	K4	E2111	C5	L2080	L5	L3301	R4	L7507	E3	N2000	S2	R2008	O5	R2555	D2	R7506	G3	V2108	D3	X2084	K10	Z7518	E3
B7500	E2	C2019	S2	C2203	T8	C2285	N4	C2804	H3	C2829	J4	C6004	Q7	C6305	Q3	C7500	E2	C7523	G8	C7561	G5	E	E3310	T7	L2104	R7	L3307	J3	L7508	F3	N2200	M4	R2060	I6	R2556	D3	R7509	E3	V2109	D3	X2400	R9			
C	C2020	P4	C2213	N4	C2294	L4	C2805	J4	C2908	C6	C6013	Q7	C6306	Q3	C7501	G3	C7524	G8	C7562	E6	E1600	Q8	E3311	T8	L2105	R7	L6003	P7	L7509	G8	N2500	H6	R2080	L2	R2557	P1	R7538	G7	V2300	N5	X2700	M7			
C1103	J5	C2050	P6	C2214	N4	C2296	M3	C2806	H6	C2909	D6	C6014	Q8	C6307	Q4	C7502	E3	C7528	G9	C7565	E7	E1602	R8	F	L2110	D3	L6004	Q7	L7510	F4	N6005	Q7	R2082	D7	R2558	Q1	R7539	G3	V2310	N5	X3200	I8			
C1104	K4	C2051	P6	C2222	L4	C2314	N4	C2807	I3	C2910	C7	C6015	P7	C6308	P2	C7503	G2	C7529	G9	C7566	F7	E1603	P1	F2050	T7	L2111	D3	L6300	P3	L7511	F3	N6300	P4	R2115	H9	R2559	N1	R7540	F5	V2470	P5	X3300	T5		
C1120	K5	C2080	I9	C2228	L3	C2315	L3	C2808	J3	C2912	E5	C6018	Q8	C6309	P2	C7504	G2	C7531	G7	C7567	G3	E1604	P3	F3300	R4	L2112	D5	L6301	P3	L7512	F3	N6301	Q3	R2116	H9	R2562	O1	R7541	G4	V3300	K3	X3310	T8		
C1483	Q4	C2081	L5	C2229	M3	C2316	M3	C2809	J6	C3205	J6	C6020	Q8	C6310	Q2	C7505	G2	C7539	G2	C7570	G3	E1605	Q8	G	L2113	D5	L6302	Q4	L7513	G3	N7509	F8	R2117	H9	R2563	Q1	R7542	G4	V3301	L3	X6400	C6			
C1485	Q4	C2082	E7	C2230	N4	C2317	L4	C2810	G3	C3300	K3	C6021	Q7	C6311	Q3	C7506	E3	C7540	G5	C7571	G3	E2000	S3	G2200	I2	L2300	O5	L6303	R3	L7516	E7	N7510	F6	R2120	R7	R2564	H1	R7544	G5	V3303	R4	X6401	C7		
C1486	P6	C2083	E8	C2231	M5	C2326	N4	C2811	H6	C3301	K3	C6022	P7	C6312	P3	C7507	E8	C7541	F3	C7575	F3	E2001	T3	L	L2301	N4	L6304	P2	L7520	F9	N7512	F2	R2121	R7	R2612	D6	R7545	F5	V3310	L3	X6402	D4			
C2001	L4	C2084	F9	C2245	N5	C2329	N5	C2812	J6	C3303	K4	C6023	Q7	C6313	Q3	C7508	F8	C7542	F3	C7579	F9	E2003	S3	L1480	P5	L2302	T8	L6305	Q2	L7522	F7	R	R2134	O3	R2910	D6	R7546	F5	V7502	E2	X6403	D6			
C2002	L4	C2085	F9	C2249	L5	C2430	D6	C2813	J3	C3304	K4	C6024	Q7	C6314	P3	C7509	E3	C7543	F3	C7581	F3	E2004	T3	L1481	Q4	L2310	N4	L6306	P3	L7524	F3	R1602	R8	R2200	E9	R3302	L3	R7550	E5	X	X6404	C8			
C2003	L5	C2086	D8	C2266	L3	C2477	P5	C2814	G5	C3306	K4	C6025	P7	C6315	R2	C7510	E3	C7545	F3	C7582	F3	E2005	T3	L1601	R8	L2340	N5	L6307	Q3	L7525	E8	R2000	L5	R2400	M3	R3303	P4	R7552	E5	X1472	Q5	X6405	C7		
C2004	R2	C2108	R7	C2267	L4	C2479	P5	C2821	I3	C3307	J4	C6026	Q7	C6316	R3	C7511	F7	C7546	E3	C7588	E8	E2006	S3	L1602	R8	L2347	N5	L6308	Q4	L7526	E8	R2001	O3	R2470	P4	R3310	J4	S	X1600	S8	Z				
C2010	Q4	C2115	H9	C2268	L3	C2500	H6	C2822	H6	C3308	Q4	C6028	Q7	C6317	R2	C7512	E3	C7547	G3	C7596	E7	E2010	O3	L2010	S2	L2472	P5	L7501	E3	L7527	E8	R2002	O3	R2501	D4	R6300	Q2	S2550	O1	X2000	T3	Z2000	P5		
C2011	P4	C2116	D4	C2269	M3	C2700	P6	C2823	J4	C3309	Q4	C6300	P3	C6318	Q3	C7513	F8	C7548	E3	C7597	E6	E2012	S2	L2011	Q4	L2473	P5	L7503	F8	M	R2003	O5	R2550	D2	R6301	P2	S2551	R1	X2080	D7	Z3300	O3			

www.s-manuals.com