

Service schematics

Nokia C2-03 C2-06 C2-08

RM-702

IMPORTANT

This document is intended for use by authorized Nokia service centers only. Please use the document together with other documents such as the Service Manual and Service Bulletins.

Version information

While every effort has been made to ensure that the document is accurate, some errors may exist. Please always check for the latest published version for this document.

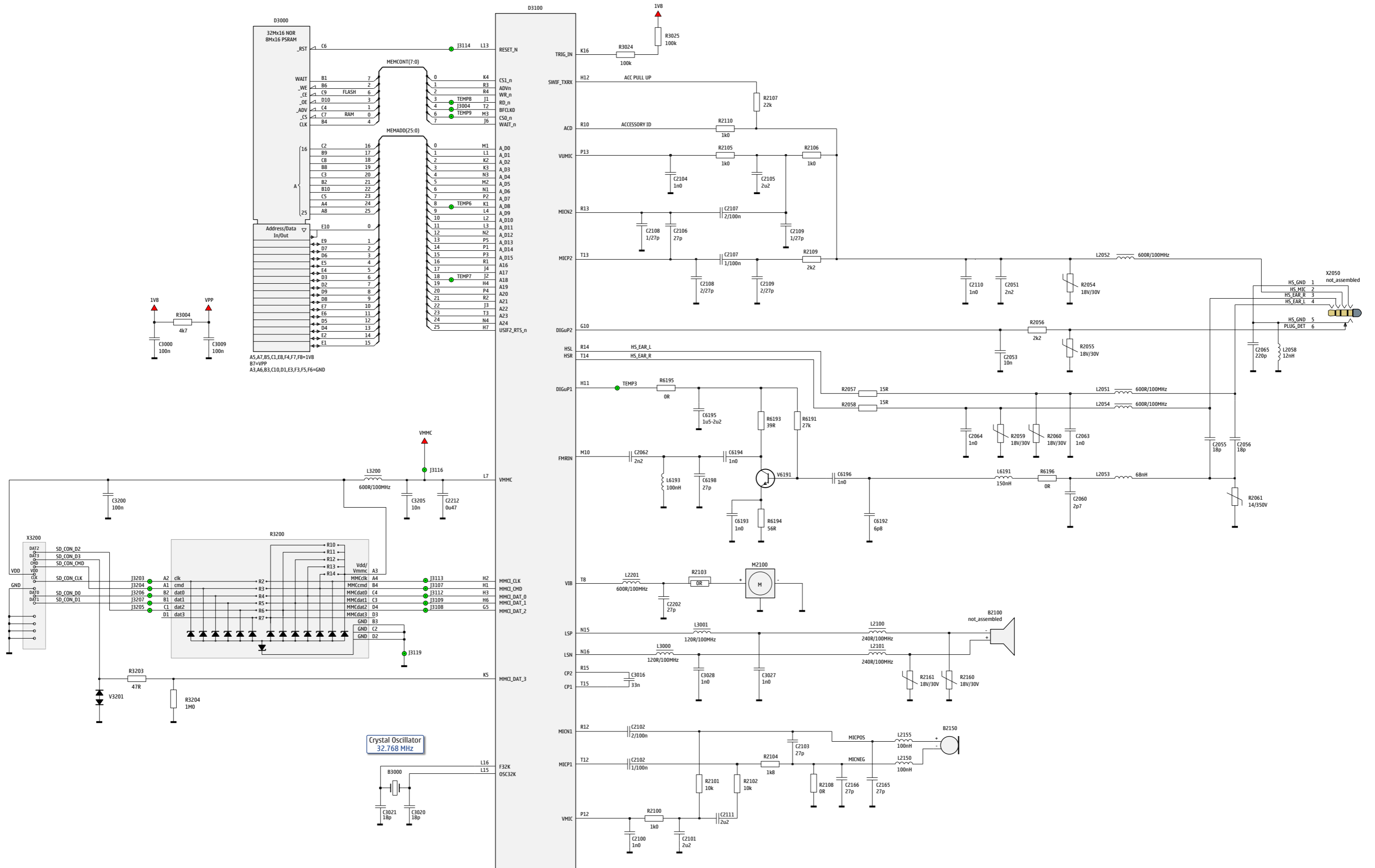
If you find any errors in the document please send email to: service.manuals@nokia.com

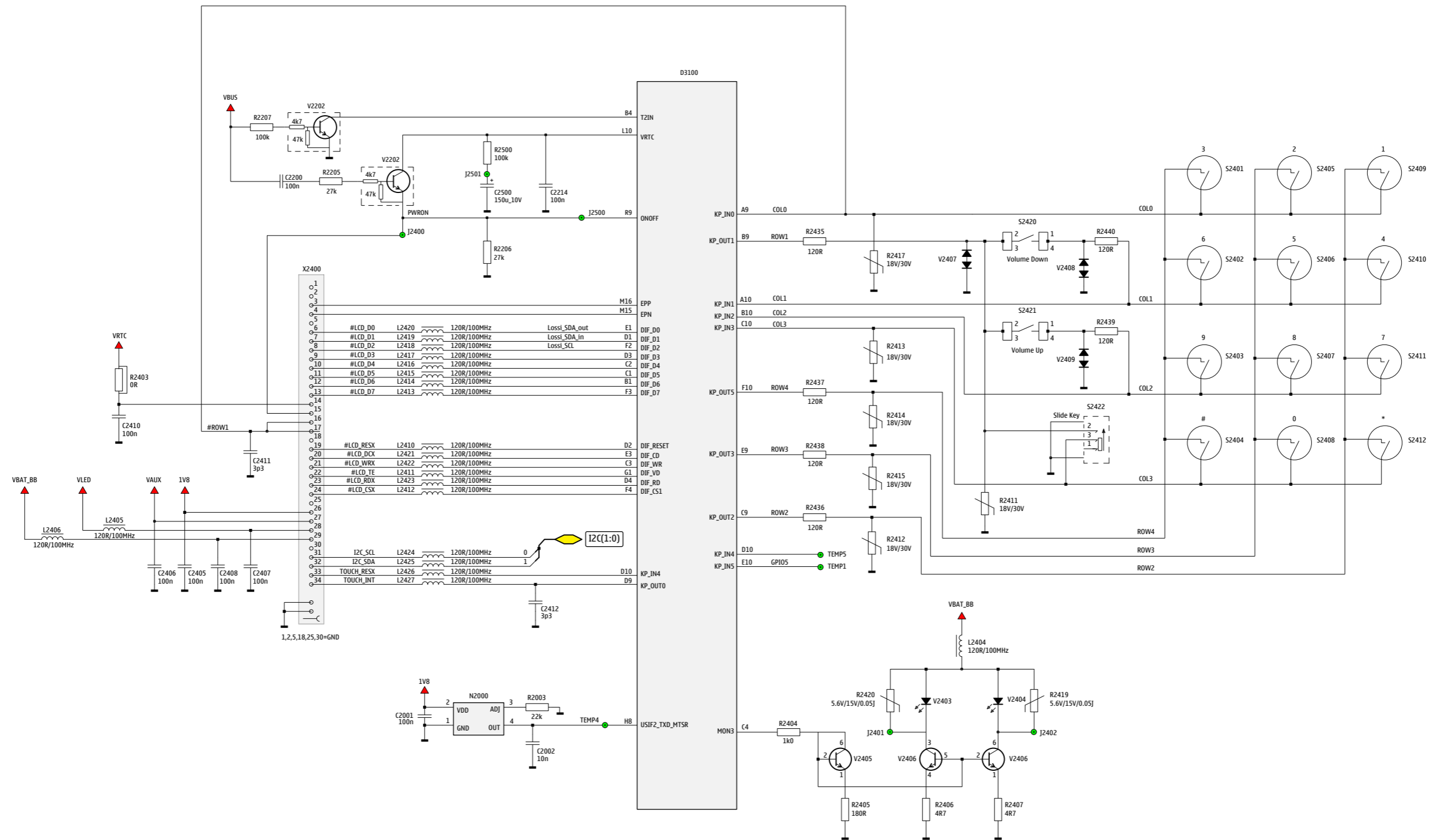
1.0 First approved version.

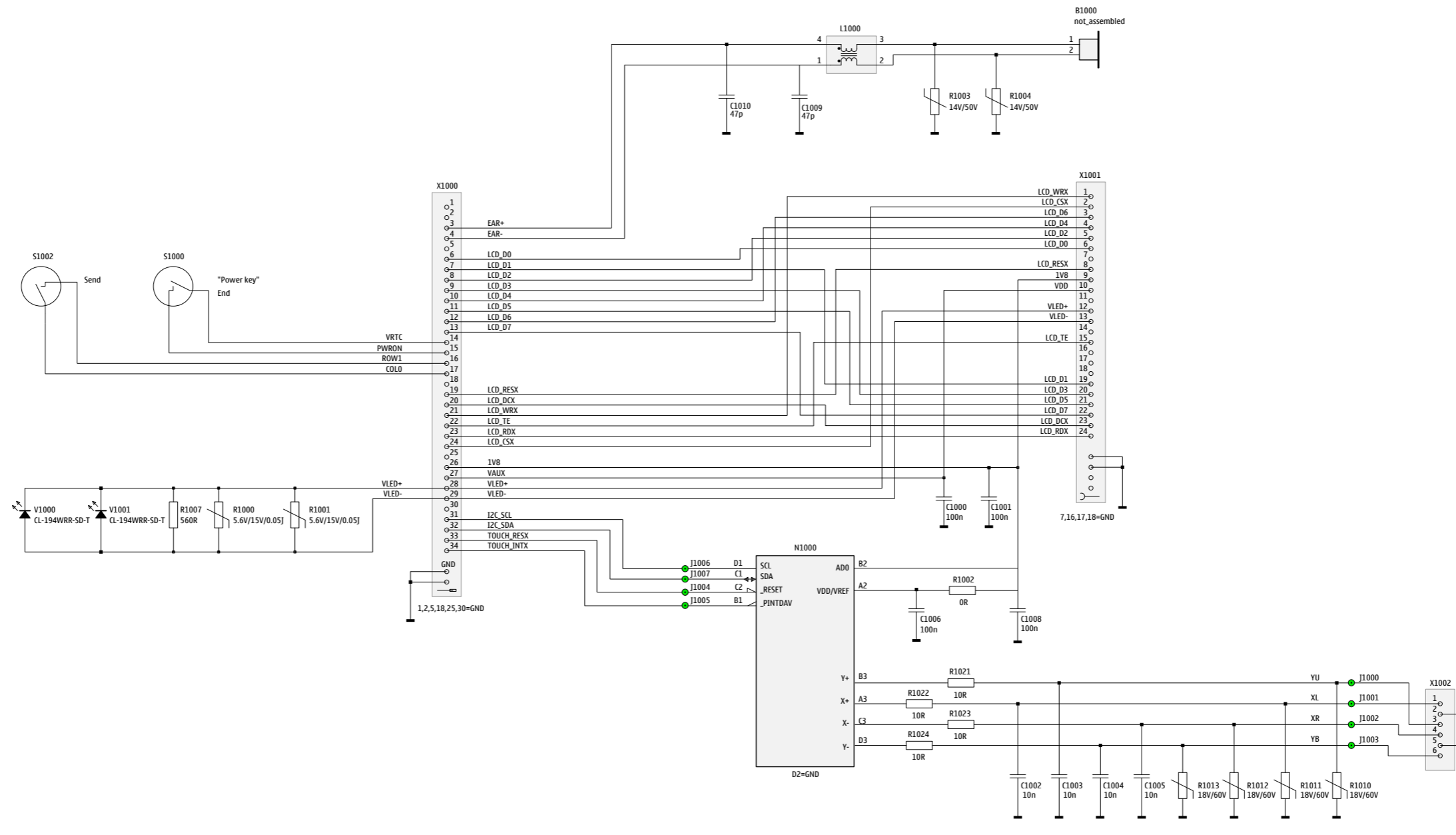


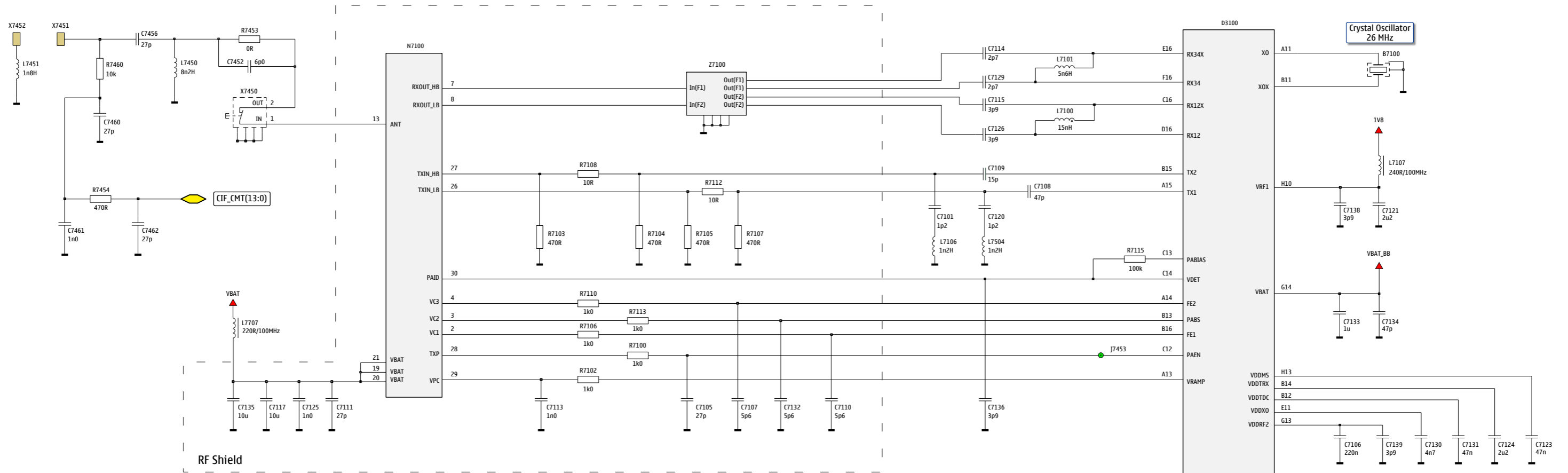
Contents

Front page	1
X-GOLD, Power, HS USB, Camera, DUAL SIM easy swap	2
X-GOLD, Memory, MMC, Audio	3
X-GOLD, Display, Keypad	4
UI flex board	5
X-GOLD, RF part, RF power, BTH	6
Test points top	7
Component finder bottom	8
Component finder UI flex board	9

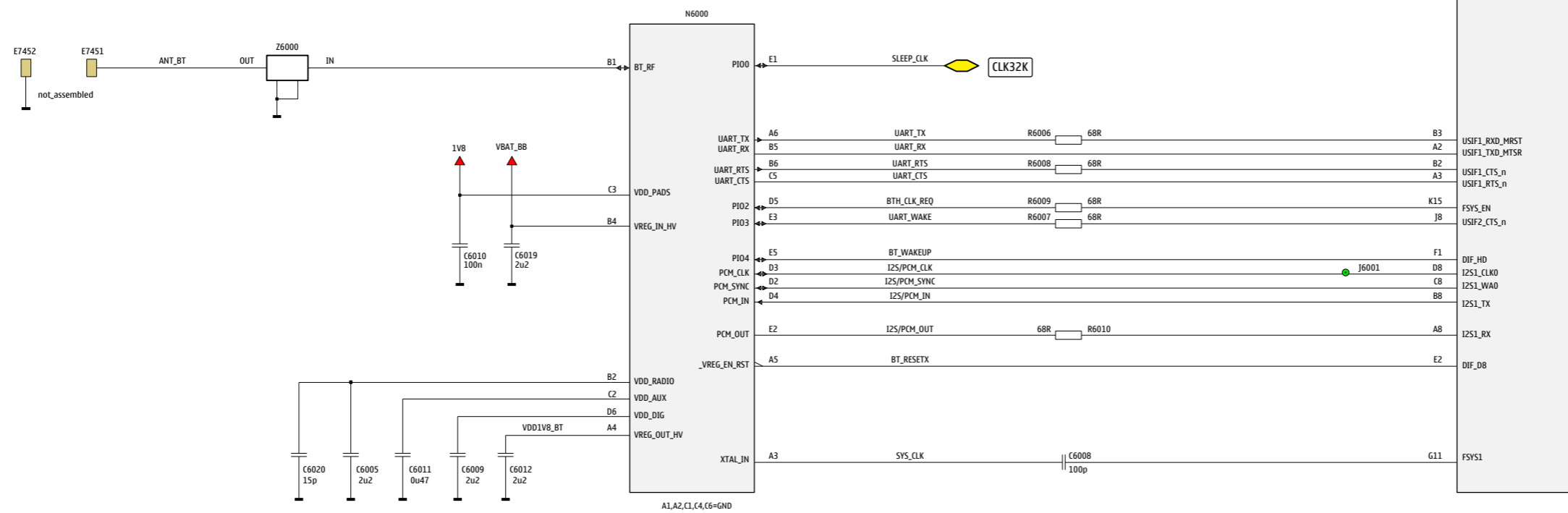


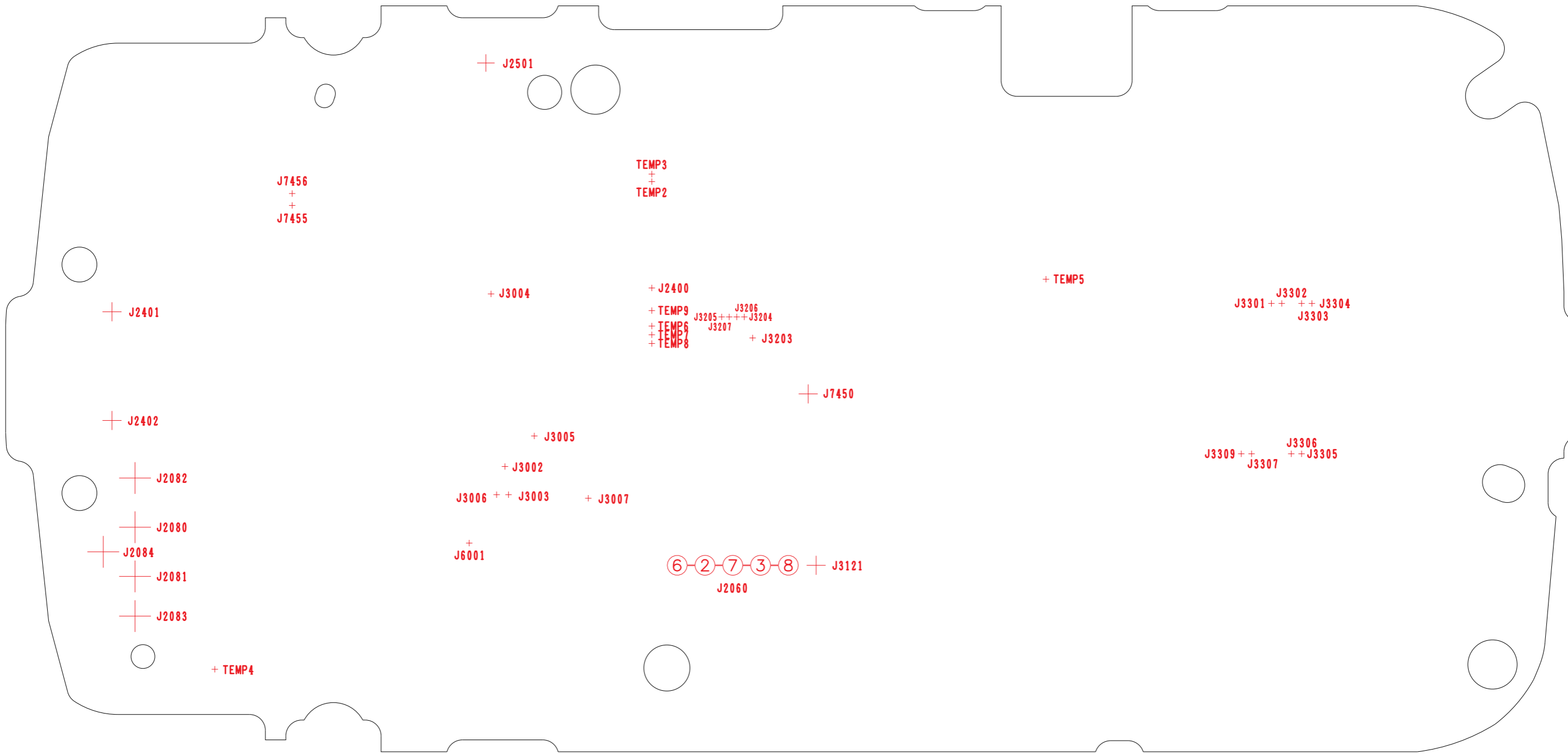


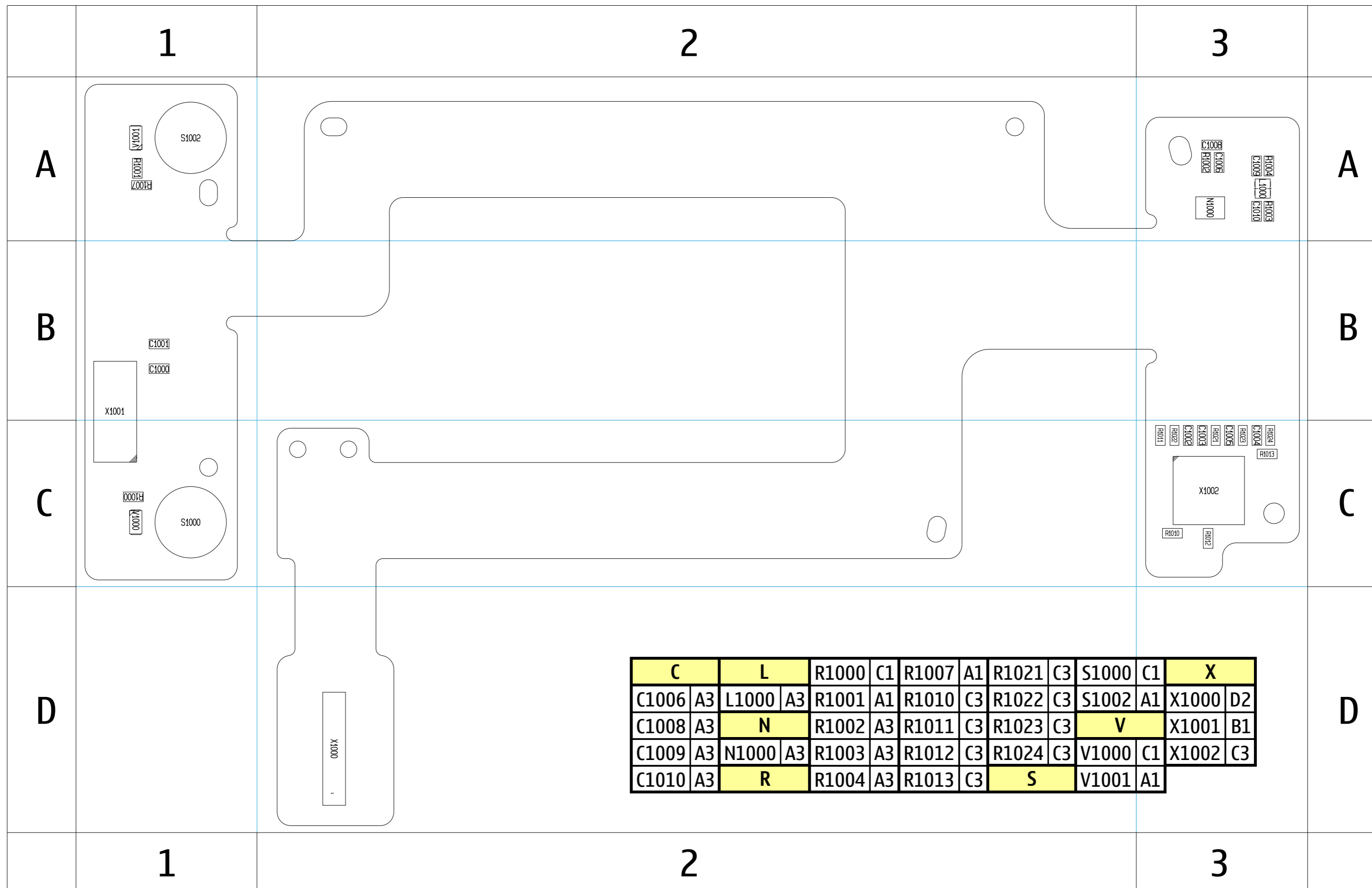




RF Shield







www.s-manuals.com