

Nokia Customer Care

Service Manual

RM-342 (Nokia N78; L3&4)

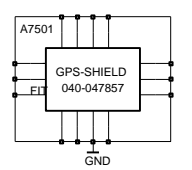
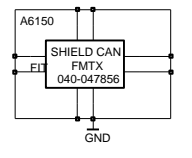
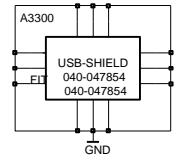
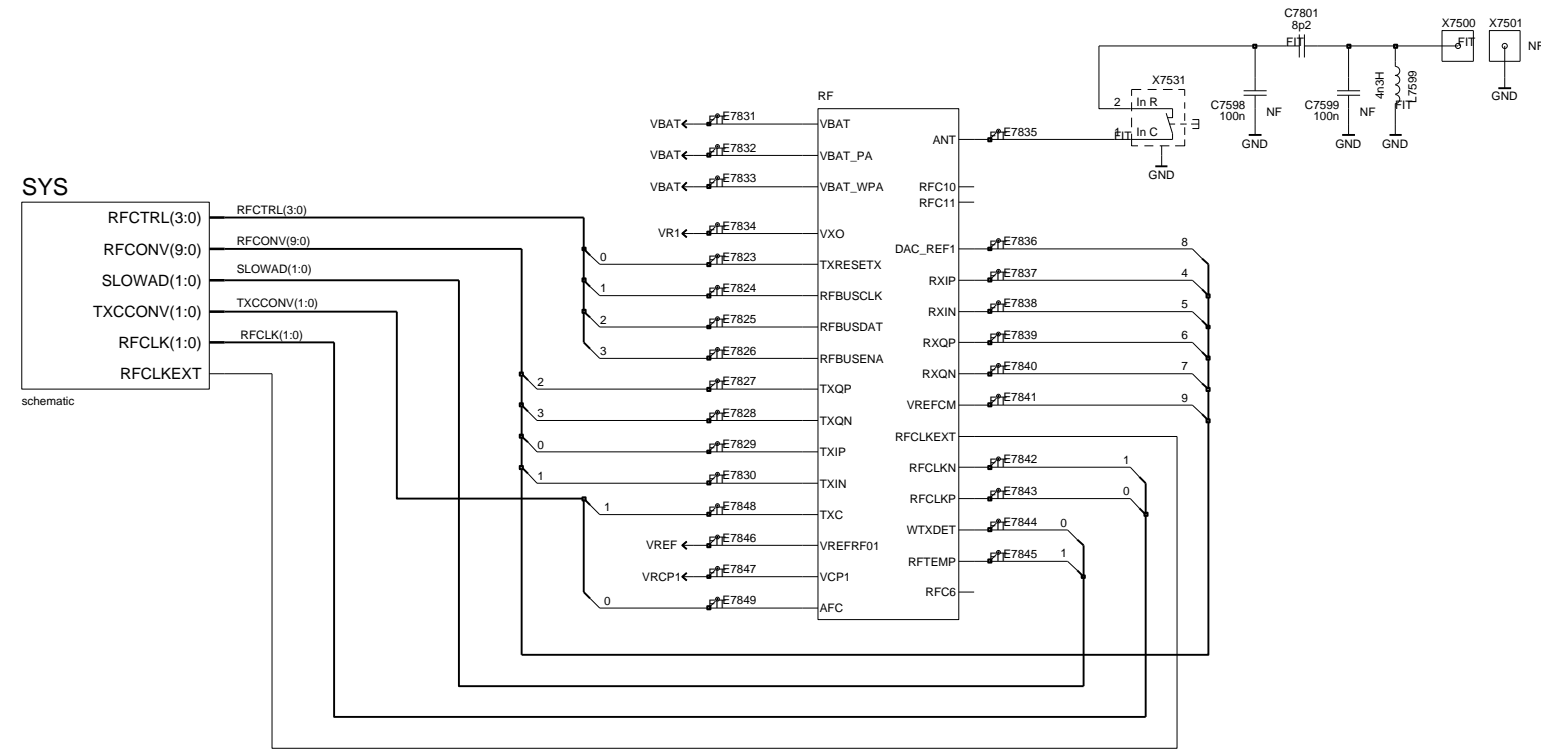
Schematics

Part No: (Issue 1)

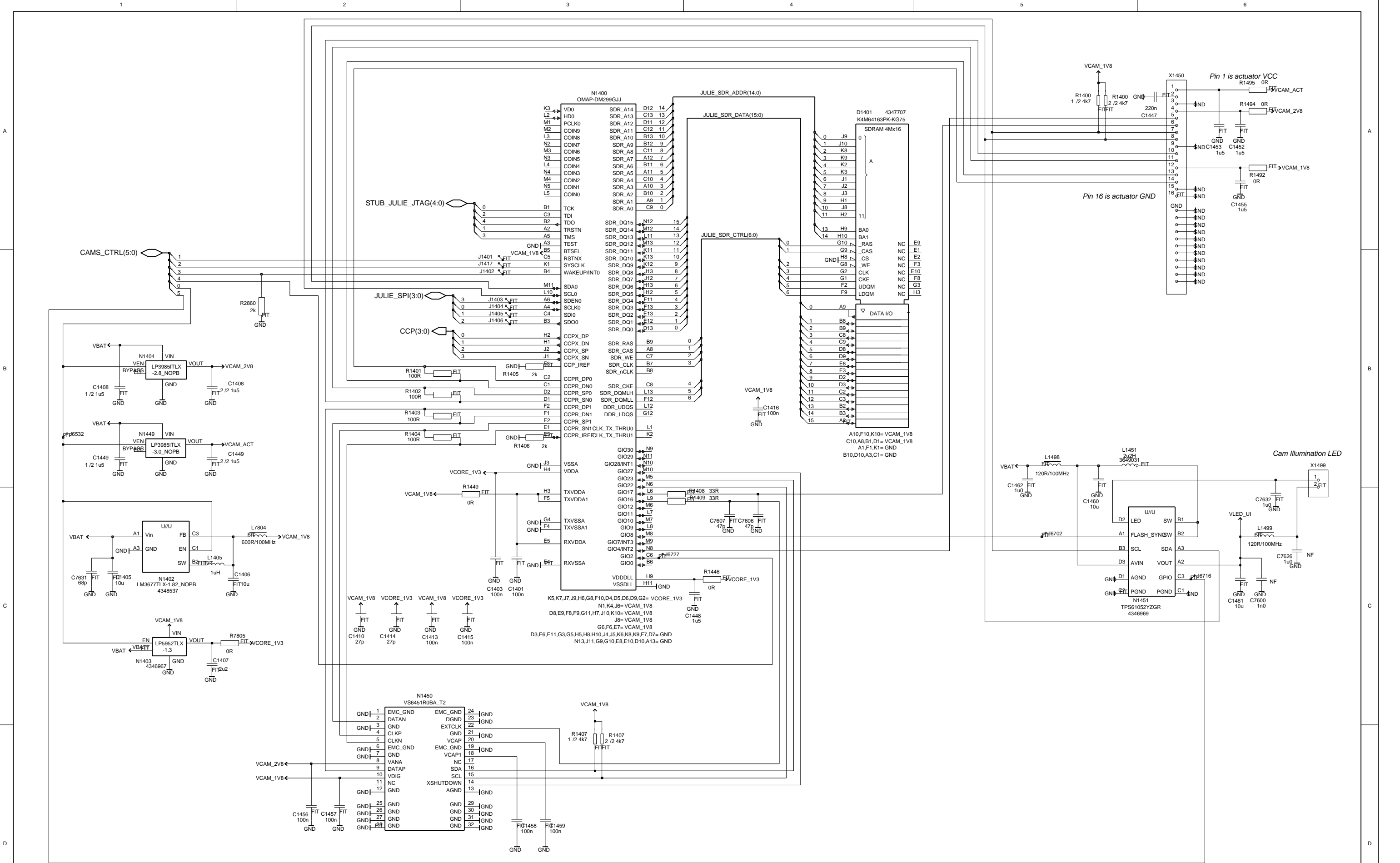
COMPANY CONFIDENTIAL



N78 Engine



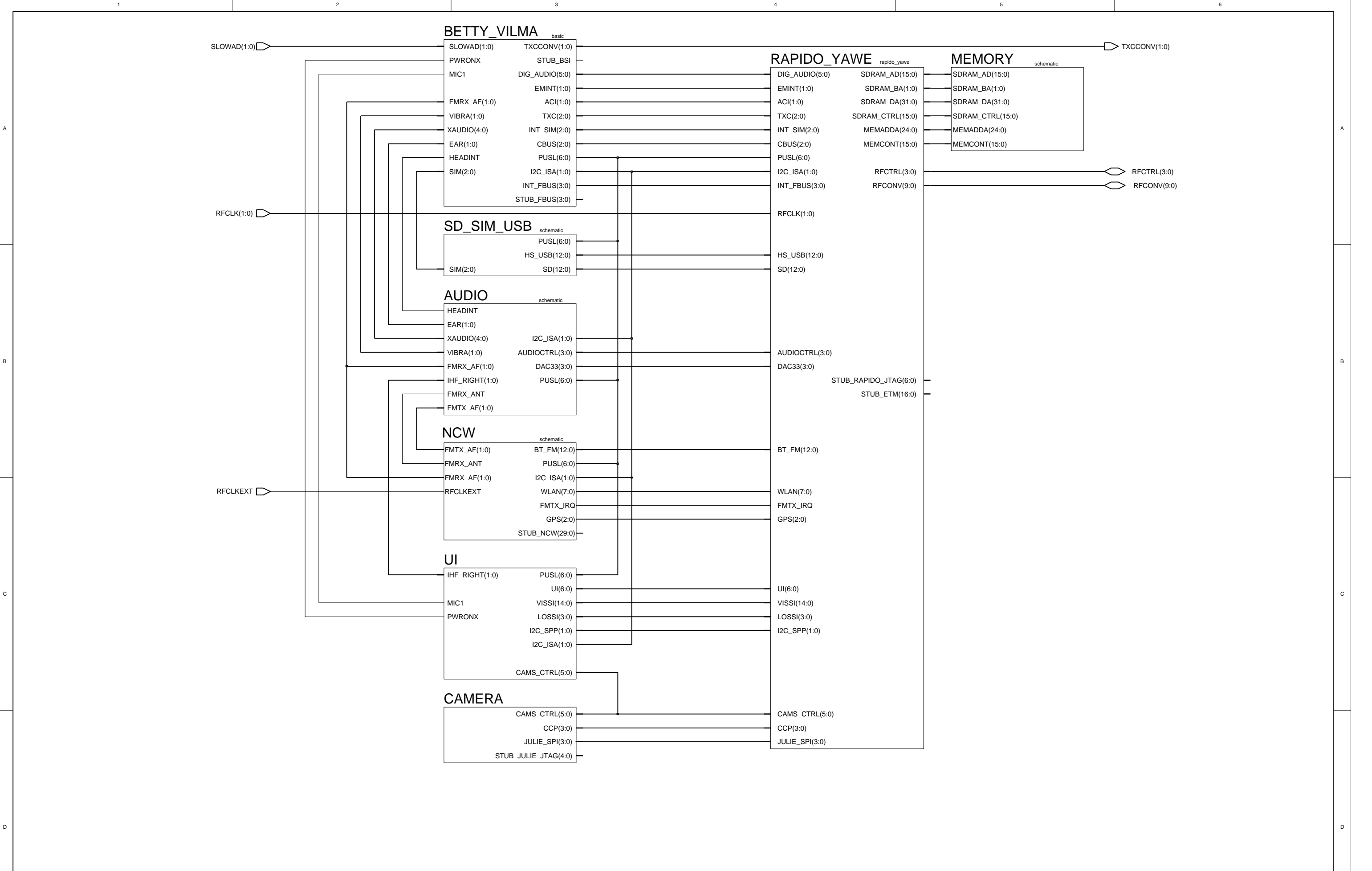
Copyright (C) Nokia Corporation. All rights reserved. THIS DRAWING IS PROTECTED BY COPYRIGHT AS AN UNPUBLISHED WORK. UNAUTHORIZED REPRODUCTION OF THIS DRAWING IS NOT PERMITTED. THIS DRAWING CONTAINS PROPRIETARY AND CONFIDENTIAL INFORMATION. This document is property of Nokia Corporation				Name: Top Level BB & RF Assoc: File: Proj:		Appr: dd-mmm-yy Des.: 18-Nov-03 Dr.: 17-Apr-08 Sheet: xx of yy Print: Yes v. 0.0 Edit: 3	
---	--	--	--	---	--	--	--



Copyright (C) Nokia Corporation. All rights reserved.
 THIS DRAWING IS PROTECTED BY COPYRIGHT AS AN UNPUBLISHED WORK.
 UNAUTHORIZED REPRODUCTION OF THIS DRAWING IS NOT PERMITTED.
 THIS DRAWING CONTAINS PROPRIETARY AND CONFIDENTIAL INFORMATION.
 This document is property of Nokia Corporation



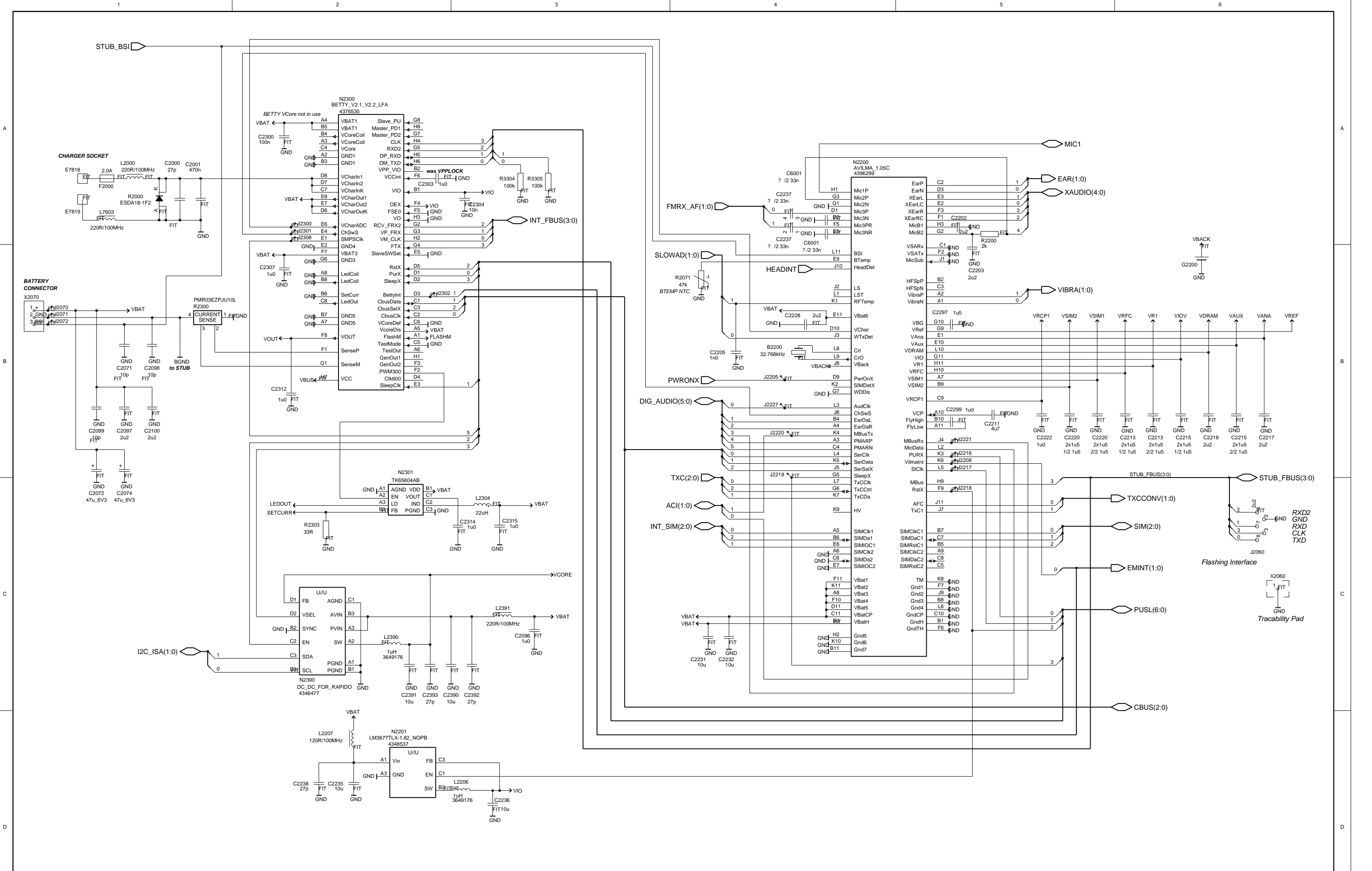
Name	CAMERAS	Appr	dd-mmm-yy
Assoc		Des.	15-Jul-05
File		Dr.	17-Apr-08
Proj		Sheet	13 of 20
		Print	Yes
		v.	1 (20)
		Edt	5



Copyright (C) Nokia Corporation. All rights reserved.
 THIS DRAWING IS PROTECTED BY COPYRIGHT AS AN UNPUBLISHED WORK.
 UNAUTHORIZED REPRODUCTION OF THIS DRAWING IS NOT PERMITTED.
 THIS DRAWING CONTAINS PROPRIETARY AND CONFIDENTIAL INFORMATION.
 This document is property of Nokia Corporation



Name	SYS	Appr	dd-mmm-yy
Assoc		Des.	24-Sep-04
File		Dr.	17-Apr-08
Proj		Sheet XX of yy	0 (01)
	Print Yes	v. 02	Edit 3



Copyright (C) Nokia Corporation. All rights reserved.
 THIS DRAWING IS PROTECTED BY COPYRIGHT AS AN UNPUBLISHED WORK.
 UNAUTHORIZED REPRODUCTION OF THIS DRAWING IS NOT PERMITTED.
 THIS DRAWING CONTAINS PROPRIETARY AND CONFIDENTIAL INFORMATION.
 This document is property of Nokia Corporation



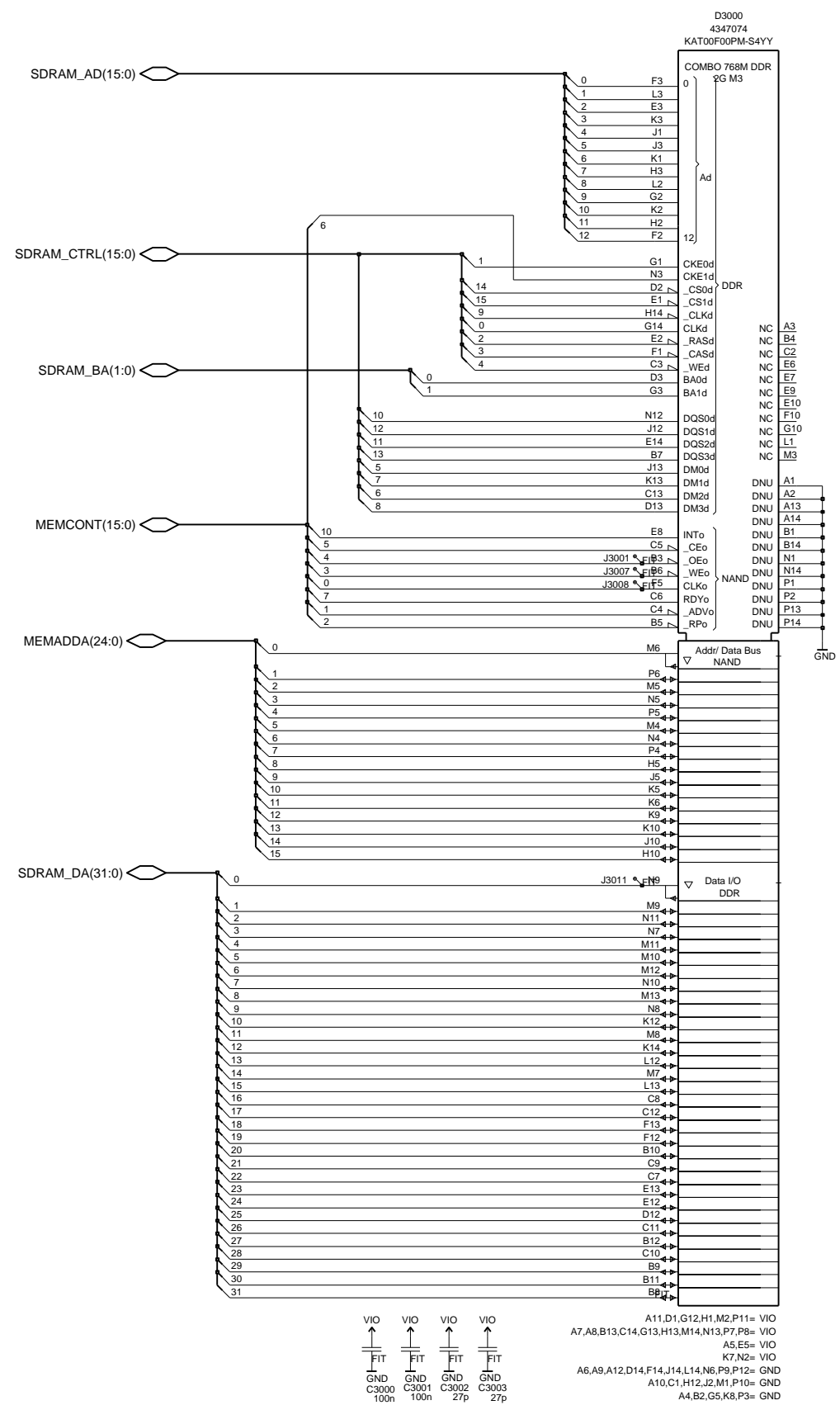
Name	BETTY_VILMA	Appr	10-Aug-00
Assoc		Des.	06-May-04
		Dr.	17-Apr-08
File		Sheet	xx of yy
Proj		Print	Yes v. Edit
			1 (01)
			2

A

B

C

D



VIO ↑ VIO ↑ VIO ↑ VIO ↑
 FIT FIT FIT FIT
 GND C3000 GND C3001 GND C3002 GND C3003
 100n 100n 27p 27p
 A11,D1,G12,H1,M2,P11= VIO
 A7,A8,B13,C14,G13,H13,M14,N13,P7,P8= VIO
 A5,E5= VIO
 K7,N2= VIO
 A6,A9,A12,D14,F14,J14,L14,M6,P9,P12= GND
 A10,C1,H12,J2,M1,P10= GND
 A4,B2,G5,K8,P3= GND

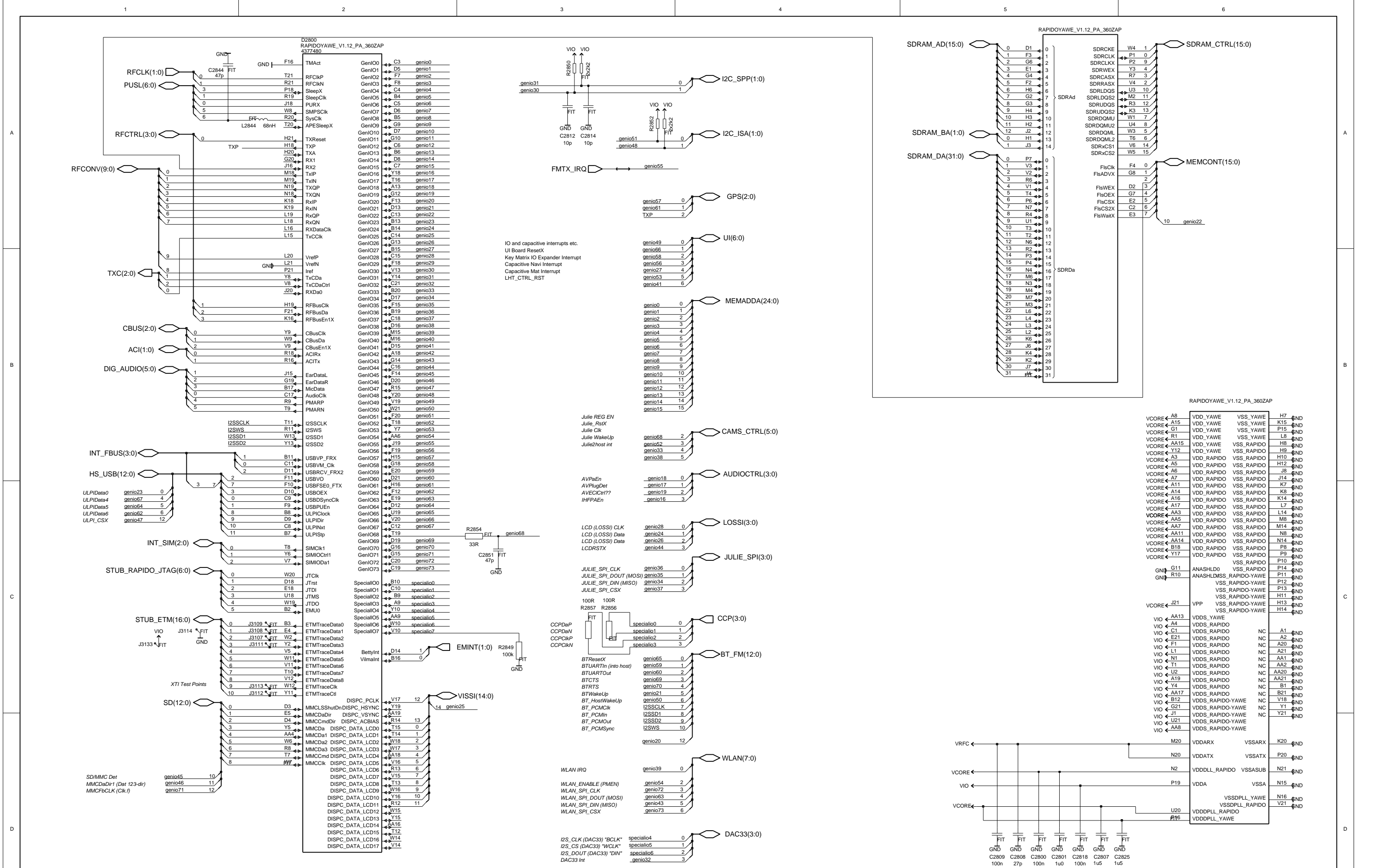
Copyright (C) Nokia Corporation. All rights reserved. THIS DRAWING IS PROTECTED BY COPYRIGHT AS AN UNPUBLISHED WORK. UNAUTHORIZED REPRODUCTION OF THIS DRAWING IS NOT PERMITTED. THIS DRAWING CONTAINS PROPRIETARY AND CONFIDENTIAL INFORMATION. This document is property of Nokia Corporation		NOKIA		Name MEMORY		Appr 10-Aug-00	
				Assoc		Des. 22-Dec-04	
				Tech		Dr. 03-Dec-07	
				File		Sheet xx of yy 1 (01)	
				Proj		Print Yes v. 02 Edit 114	

A

B

C

D

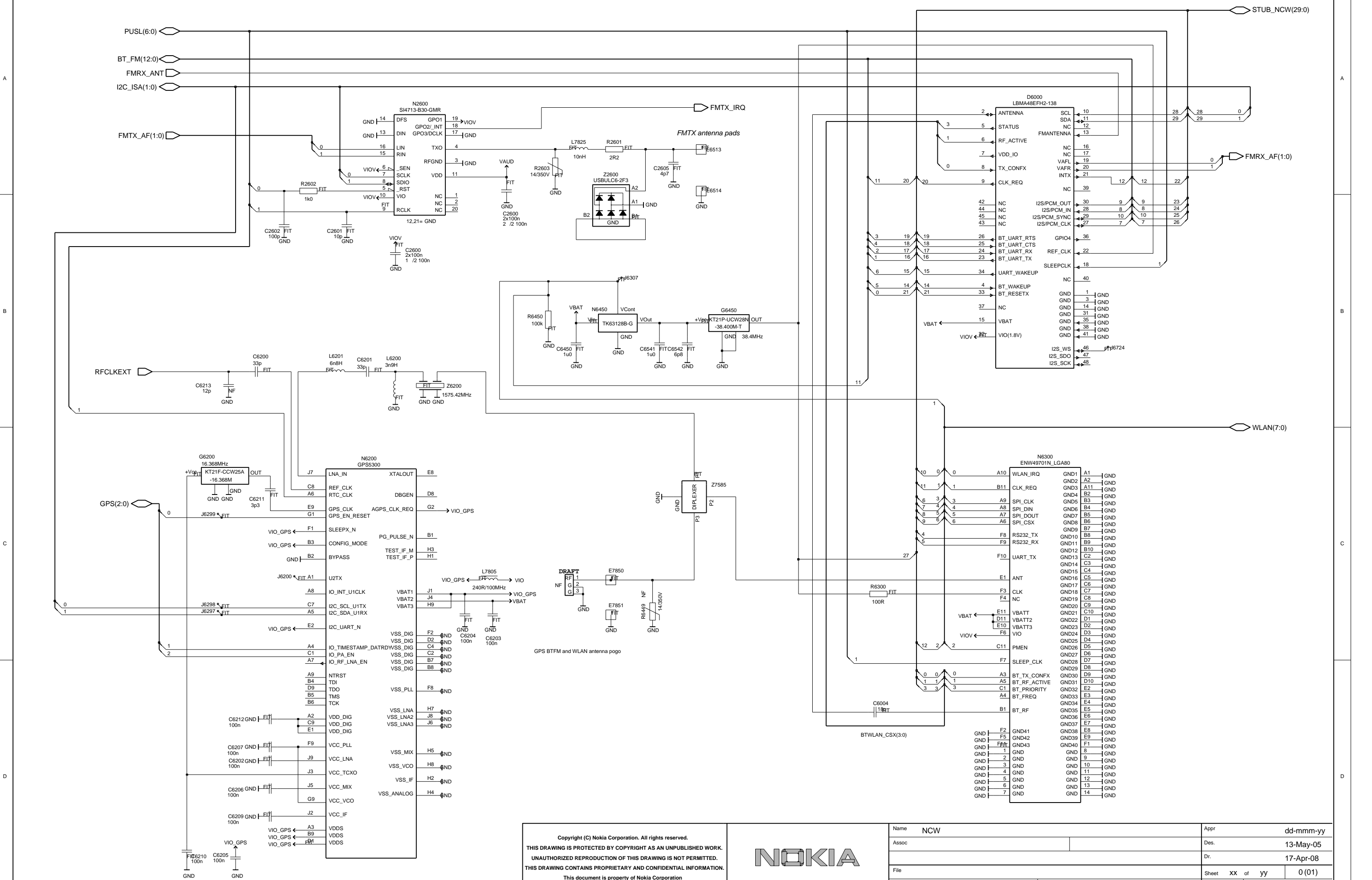


Copyright (C) Nokia Corporation. All rights reserved.
 THIS DRAWING IS PROTECTED BY COPYRIGHT AS AN UNPUBLISHED WORK.
 UNAUTHORIZED REPRODUCTION OF THIS DRAWING IS NOT PERMITTED.
 THIS DRAWING CONTAINS PROPRIETARY AND CONFIDENTIAL INFORMATION.
 This document is property of Nokia Corporation



Name	RAPIDO_YAWE		Appr	dd-mmm-yy
Assoc			Des.	26-Apr-05
File			Dr.	03-Dec-07
Proj			Sheet	XX of yy
			Print	Yes
			Ver.	0.0
			Edt	172

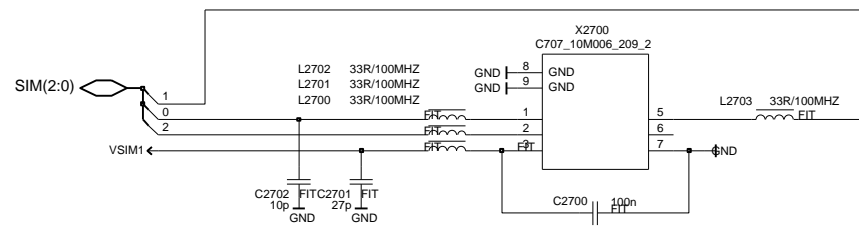
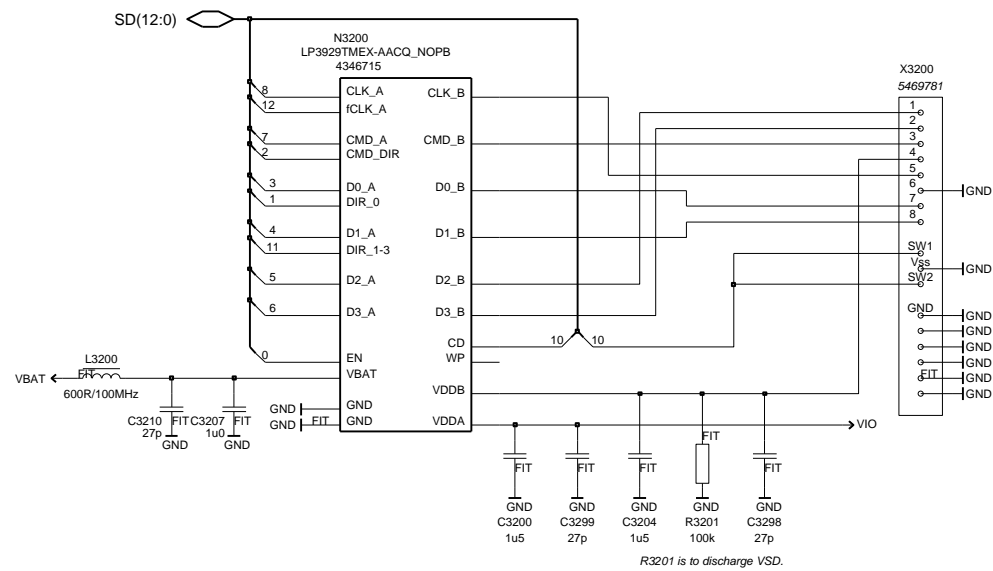
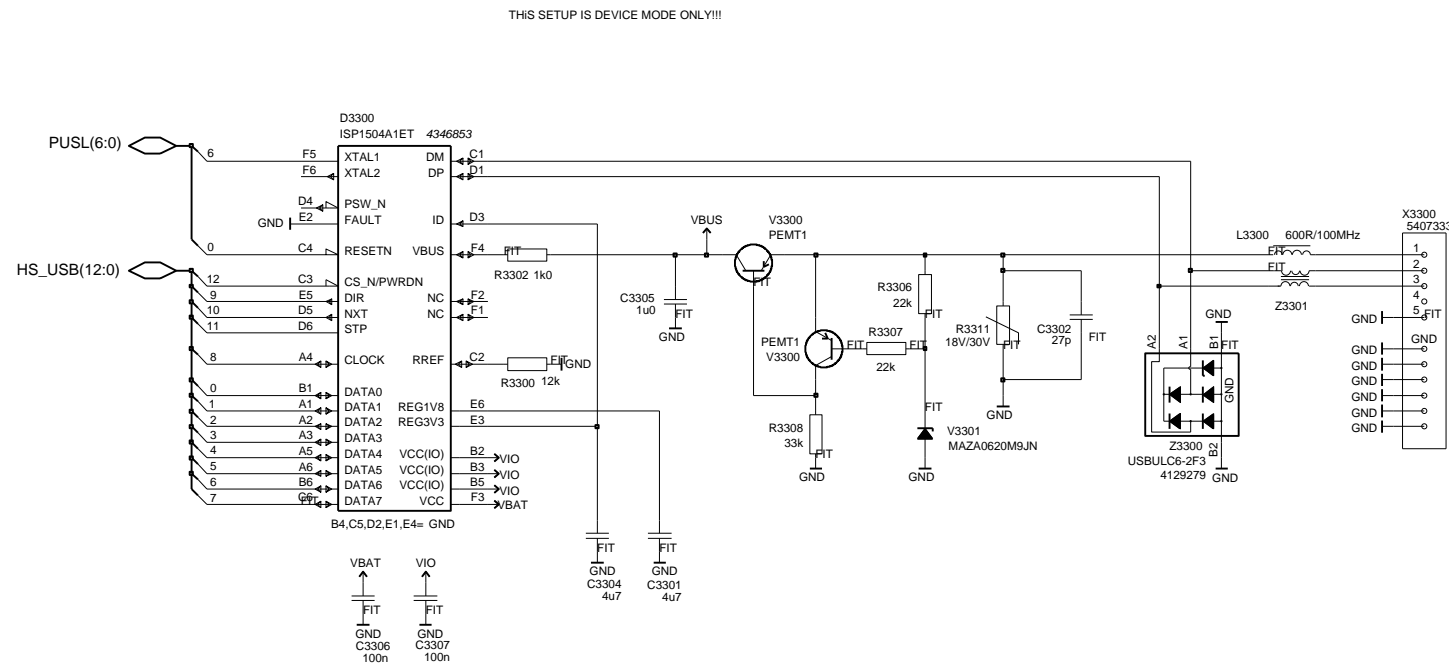
BLUETOOTH & FM RADIO MODULE
BTHFMRD S2.0



Copyright (C) Nokia Corporation. All rights reserved.
 THIS DRAWING IS PROTECTED BY COPYRIGHT AS AN UNPUBLISHED WORK.
 UNAUTHORIZED REPRODUCTION OF THIS DRAWING IS NOT PERMITTED.
 THIS DRAWING CONTAINS PROPRIETARY AND CONFIDENTIAL INFORMATION.
 This document is property of Nokia Corporation



Name	NCW	Appr	dd-mmm-yy
Assoc		Des.	13-May-05
		Dr.	17-Apr-08
File		Sheet	xx of yy
Proj		Print	Yes
		V.	0.0
		Edt	2

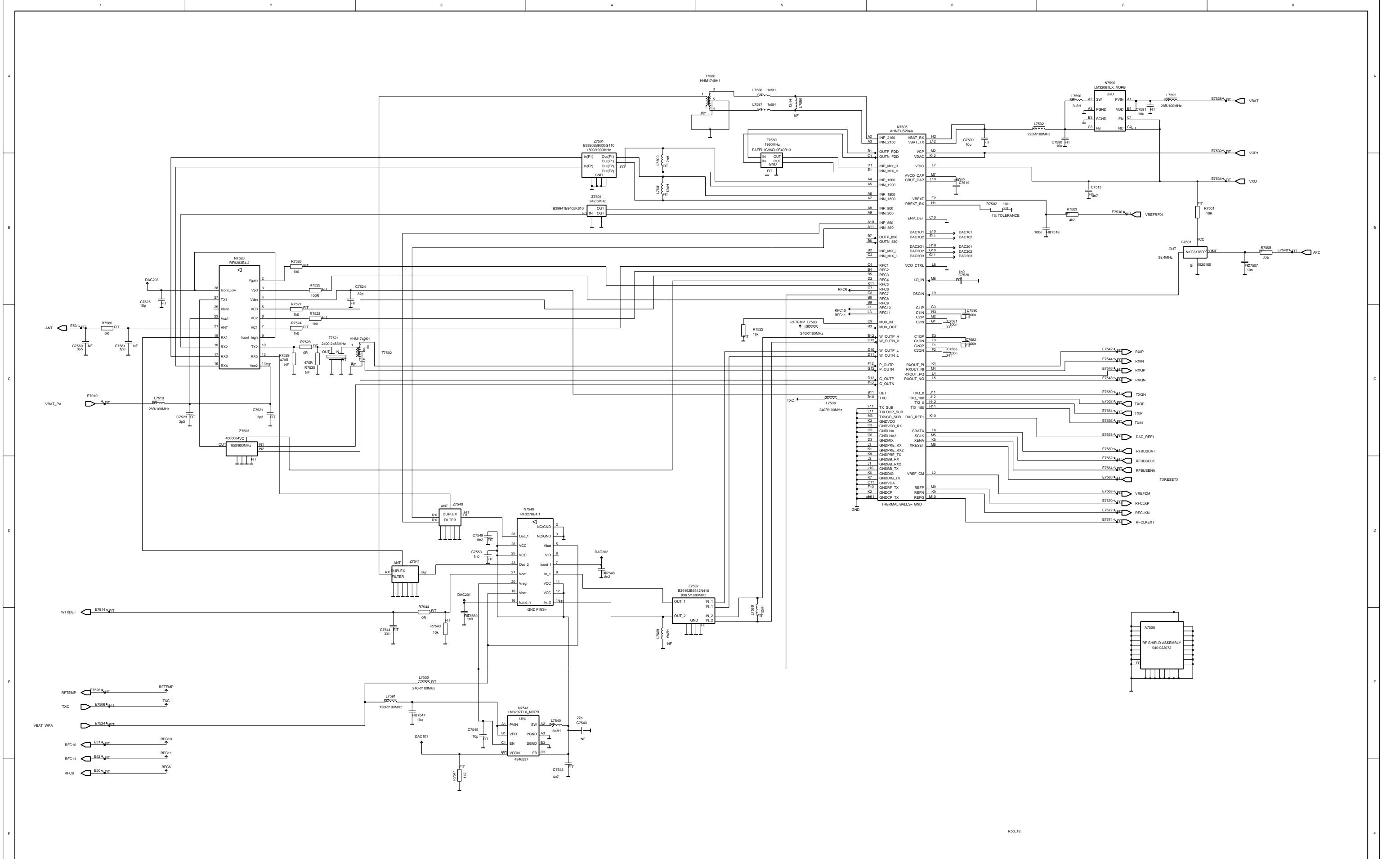


Place all parts close to or under SIM connector

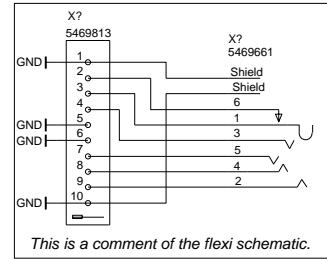
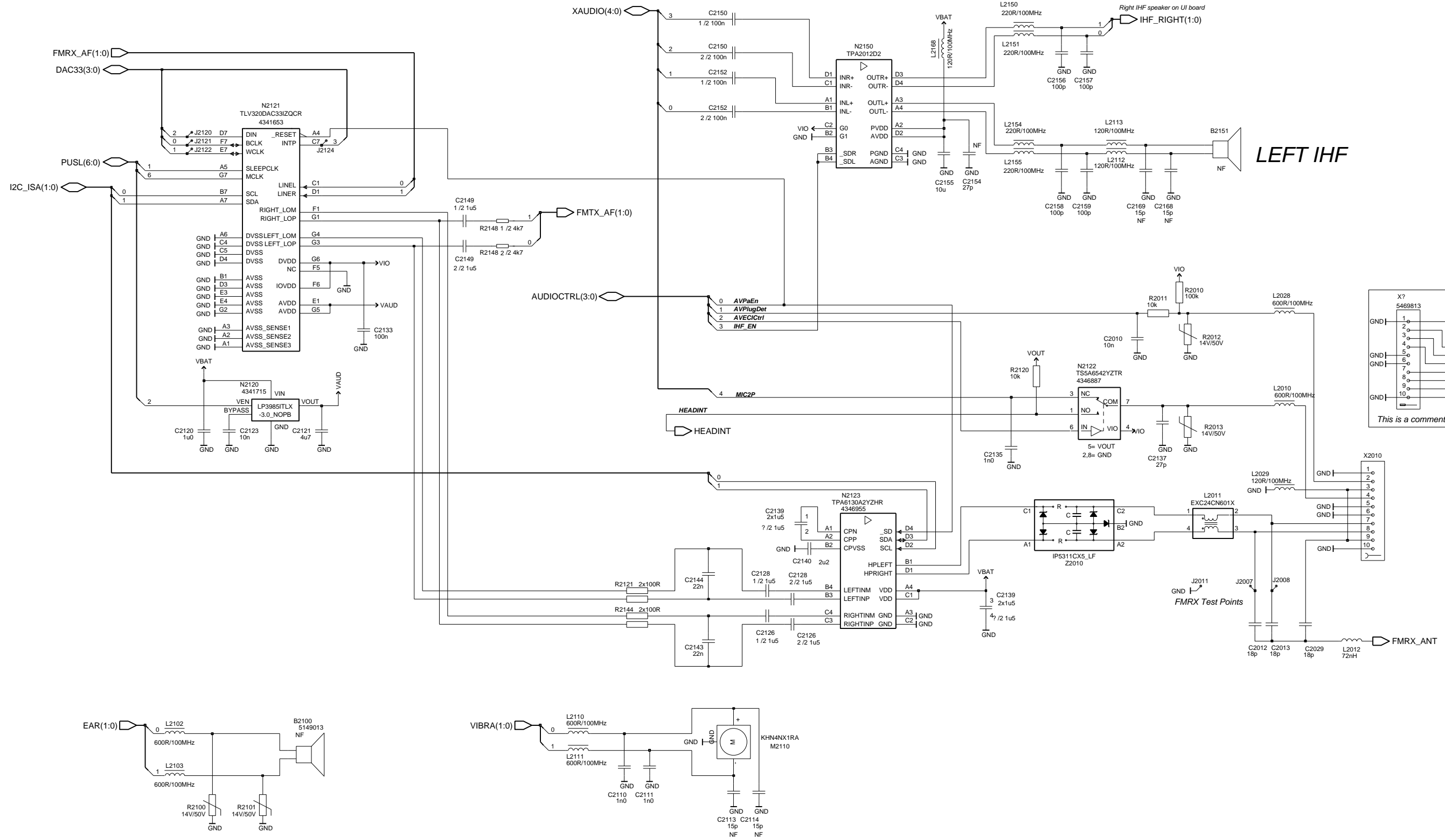
Copyright (C) Nokia Corporation. All rights reserved.
 THIS DRAWING IS PROTECTED BY COPYRIGHT AS AN UNPUBLISHED WORK.
 UNAUTHORIZED REPRODUCTION OF THIS DRAWING IS NOT PERMITTED.
 THIS DRAWING CONTAINS PROPRIETARY AND CONFIDENTIAL INFORMATION.
 This document is property of Nokia Corporation



Name	SD_SIM_USB	Appr	10-Aug-00
Assoc		Des.	10-May-04
File		Dr.	17-Apr-08
Proj		Sheet	xx of yy
		Print	Yes v. Edit
			1 (01)
			2



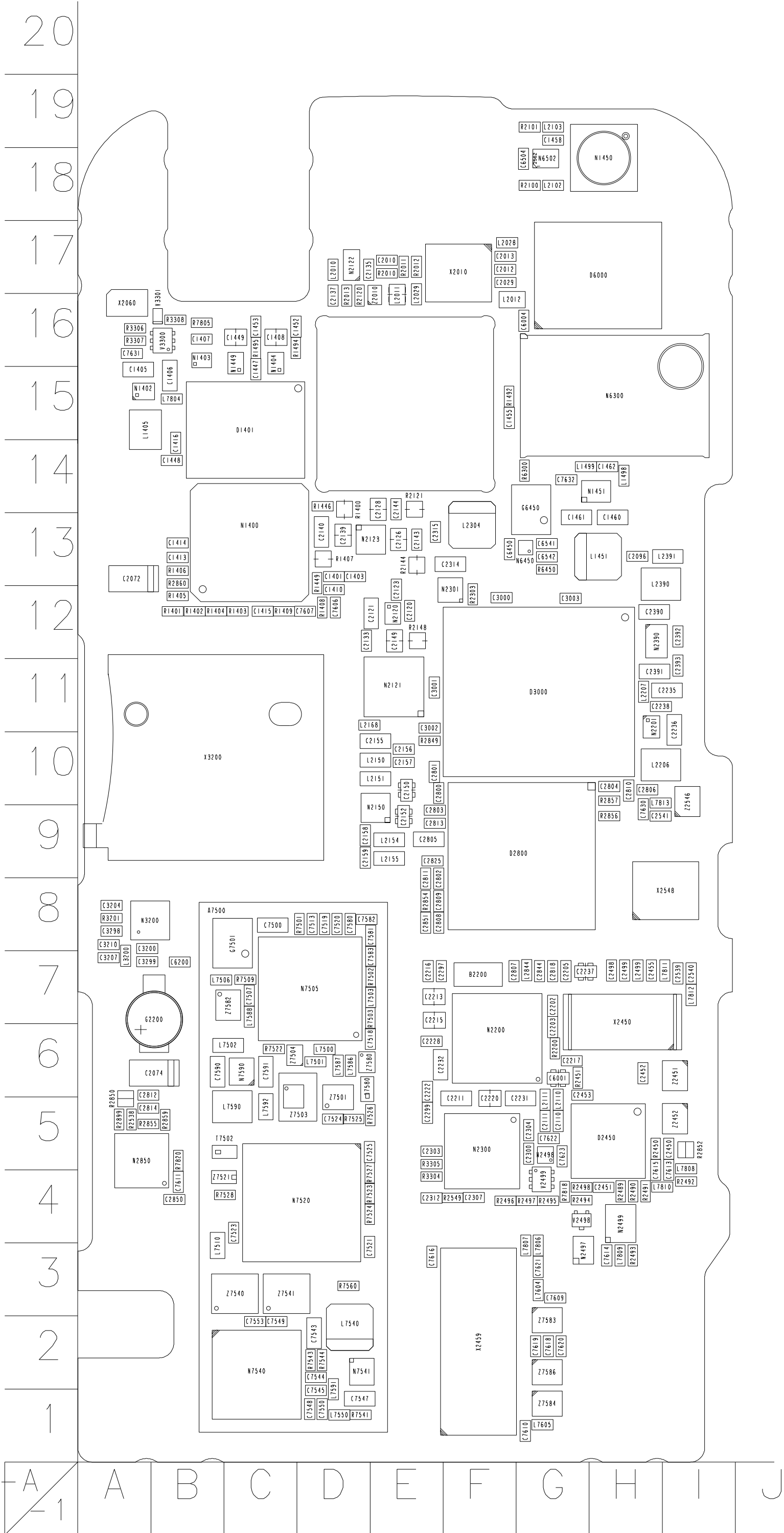
R50_18

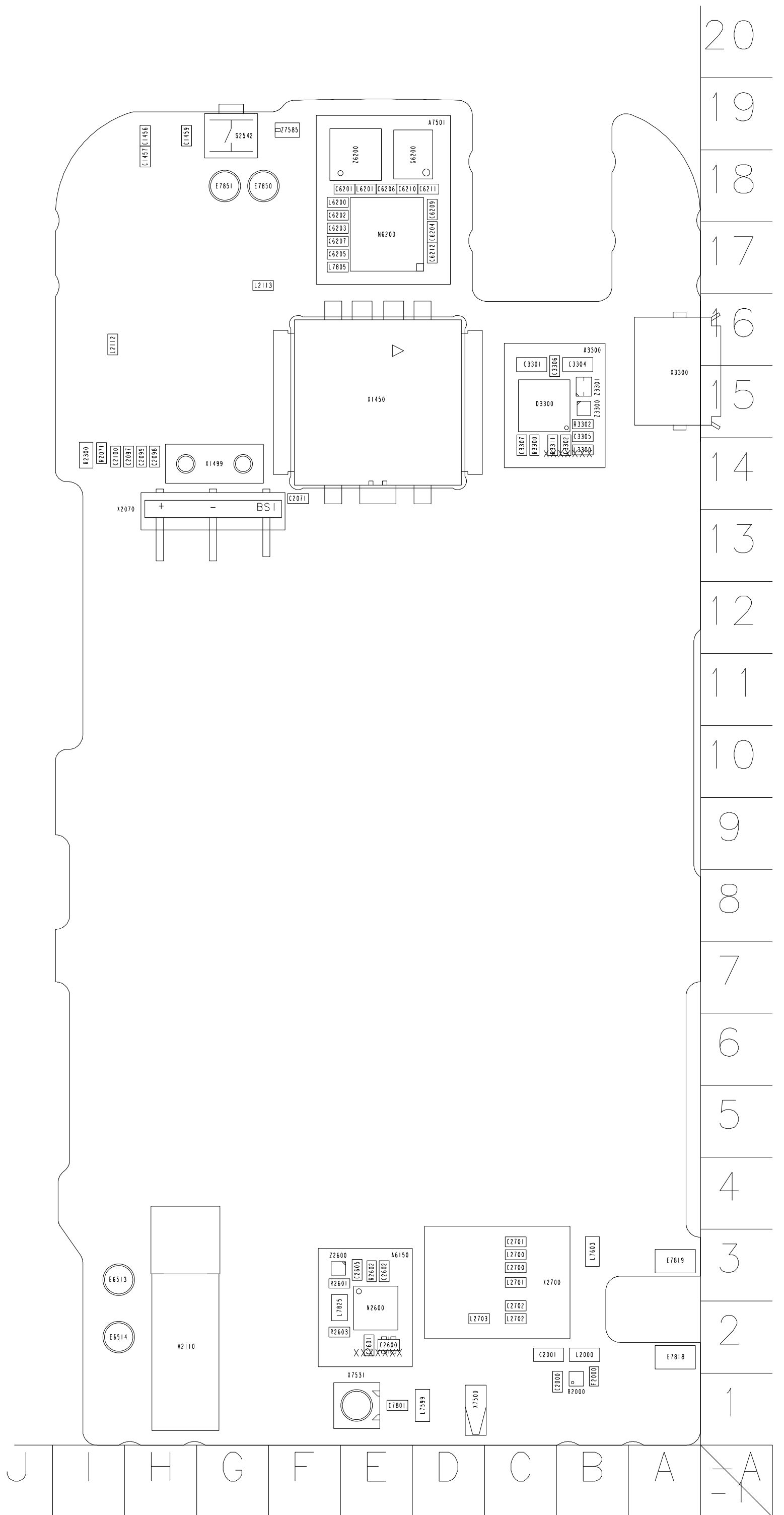


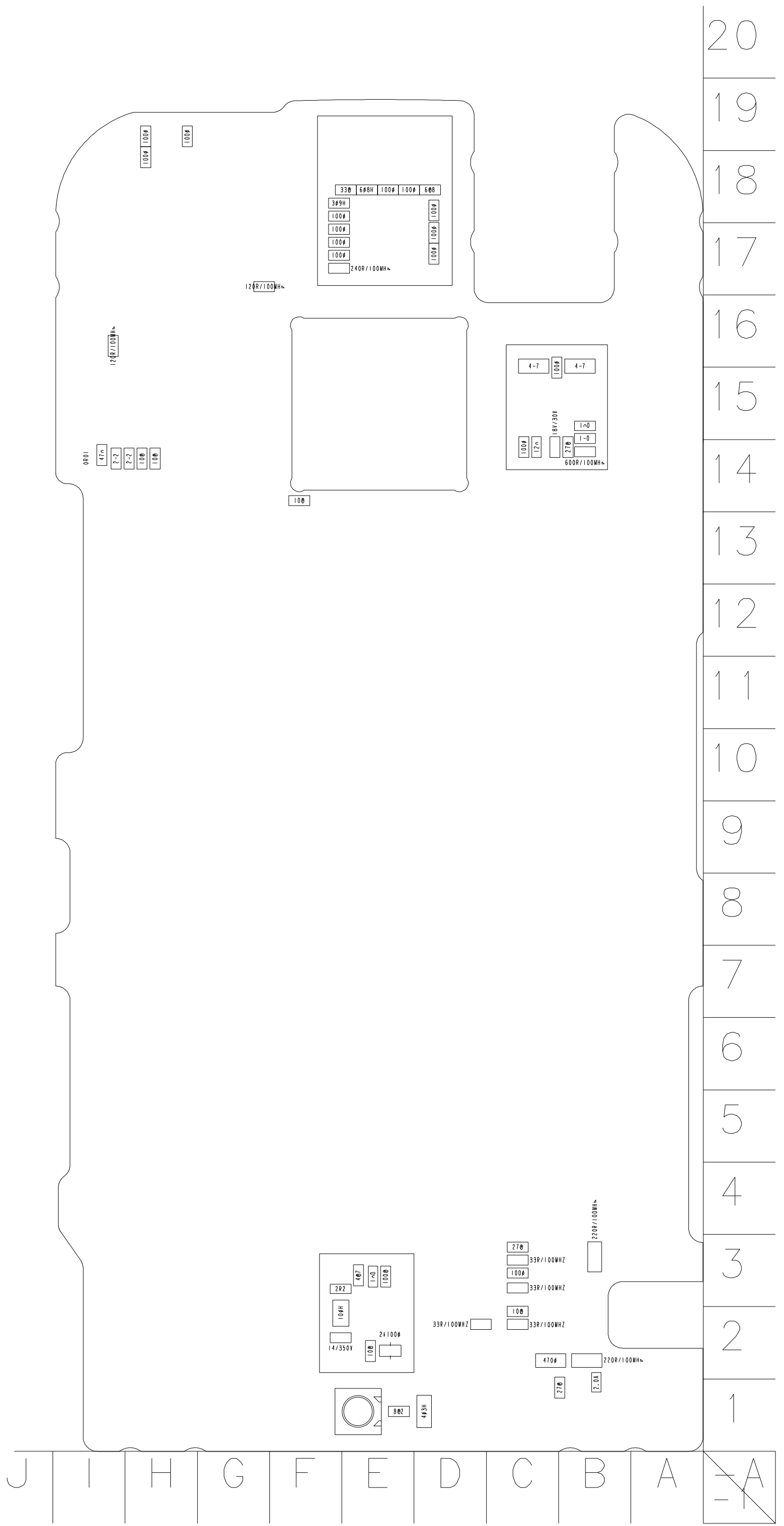
Copyright (C) Nokia Corporation. All rights reserved.
 THIS DRAWING IS PROTECTED BY COPYRIGHT AS AN UNPUBLISHED WORK.
 UNAUTHORIZED REPRODUCTION OF THIS DRAWING IS NOT PERMITTED.
 THIS DRAWING CONTAINS PROPRIETARY AND CONFIDENTIAL INFORMATION.
 This document is property of Nokia Corporation

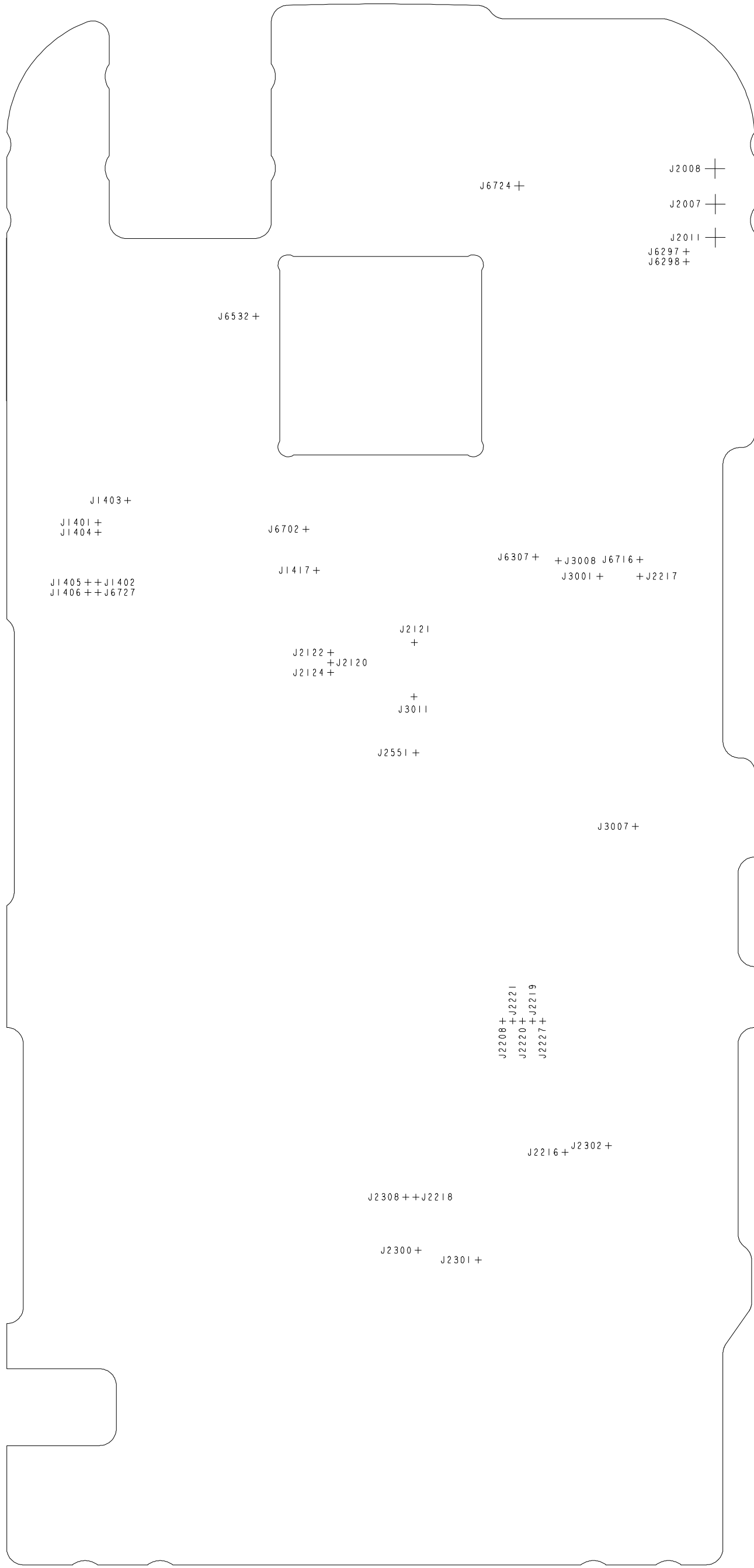


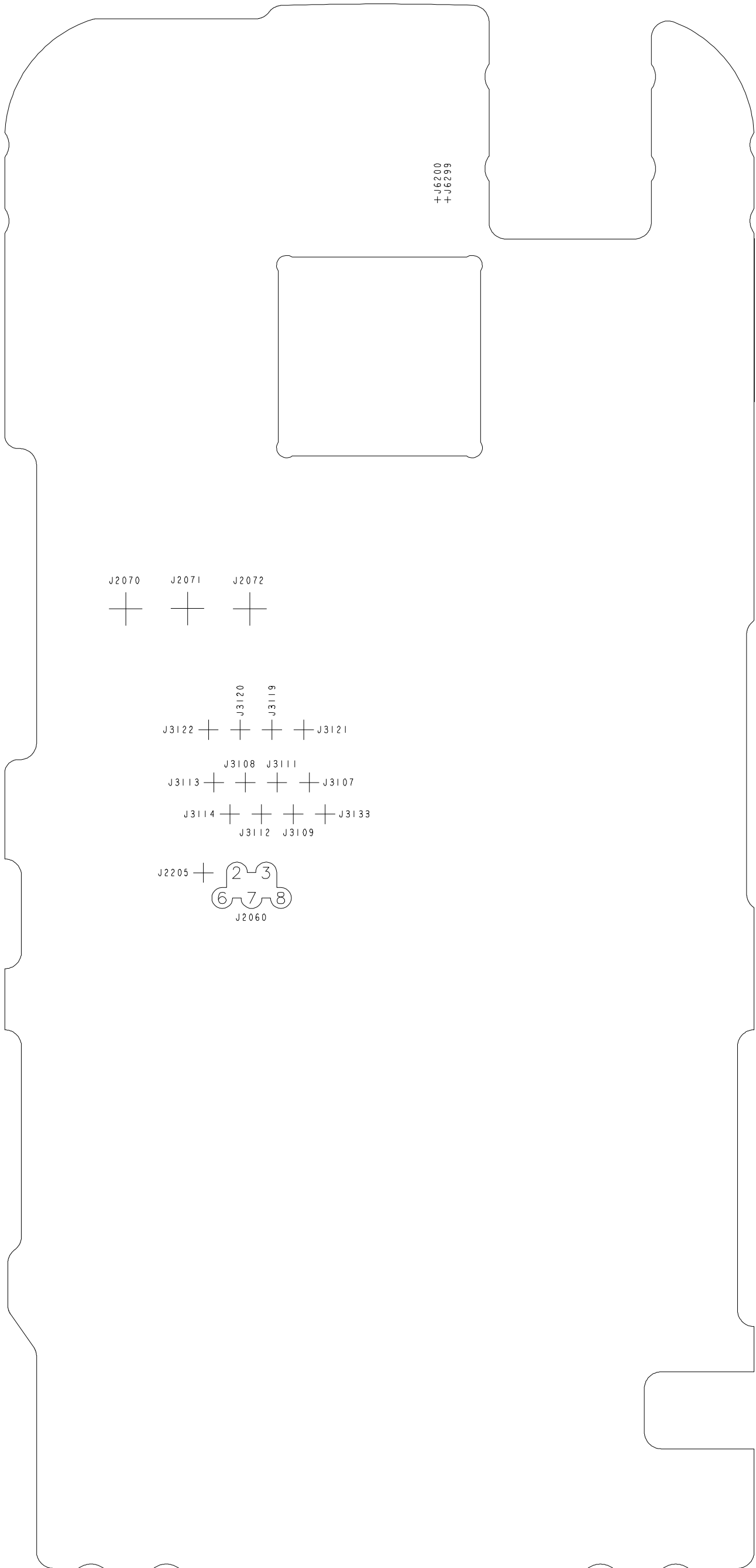
Name	AUDIO	Appr	dd-mmm-yy
Assoc		Des.	27-May-03
File		Dr.	17-Apr-08
Proj		Sheet	30 of yy
		Print	Yes
		V.	0,0
		Edt	2












++16200
++16299

J2070 J2071 J2072
+ + +

 J3120 J3119
J3122 + + + + J3121

 J3108 J3111
J3113 + + + + J3107

 J3114 + + + J3133
 J3112 J3109

J2205 + 
 J2060