

# Service schematics

# NOKIA X2-01

## RM-709

### IMPORTANT

This document is intended for use by authorized Nokia service centers only. Please use the document together with other documents such as the Service Manual and Service Bulletins.

### Version information

While every effort has been made to ensure that the document is accurate, some errors may exist. Please always check for the latest published version for this document.

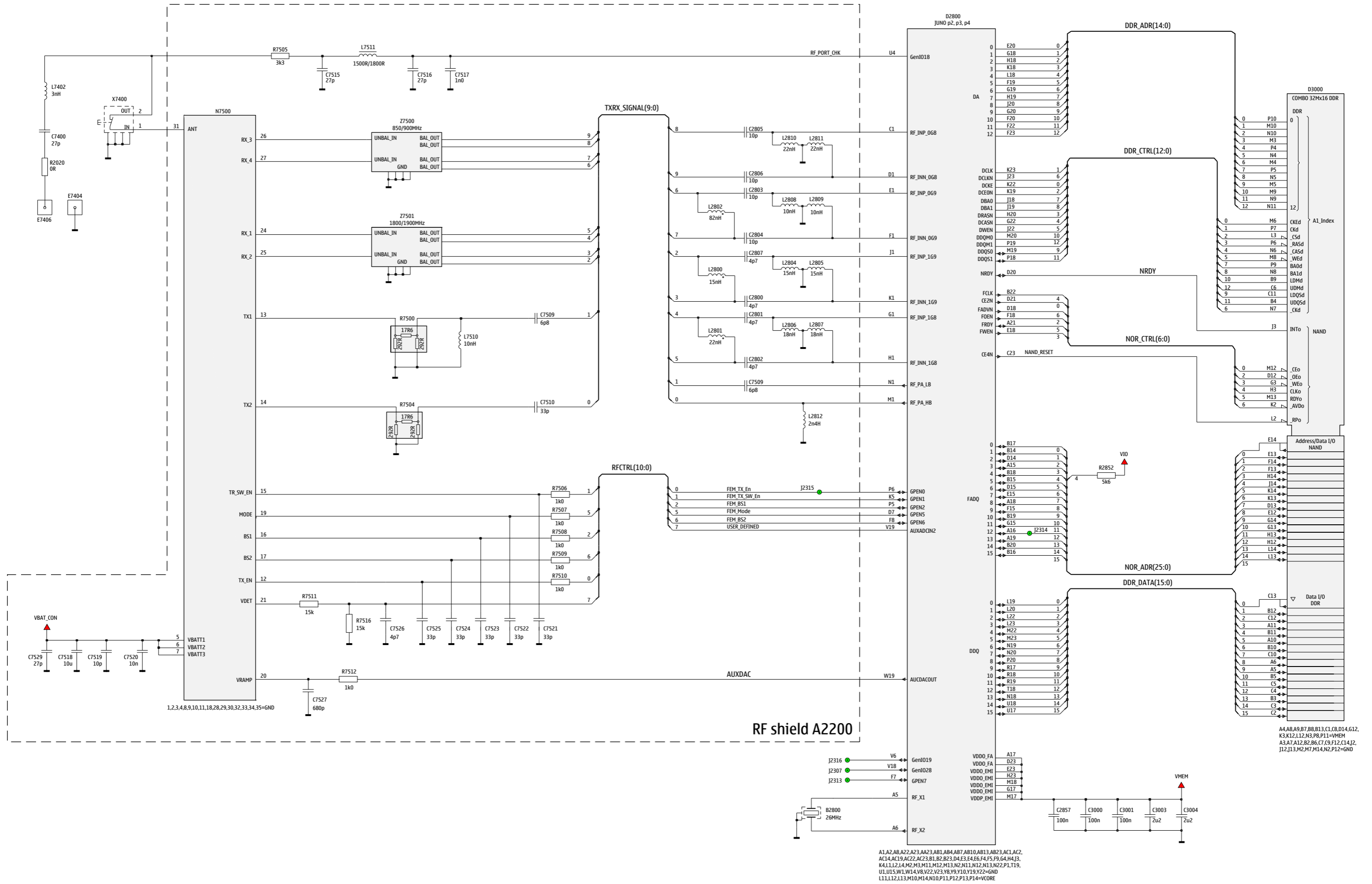
If you find any errors in the document please send email to: [service.manuals@nokia.com](mailto:service.manuals@nokia.com)

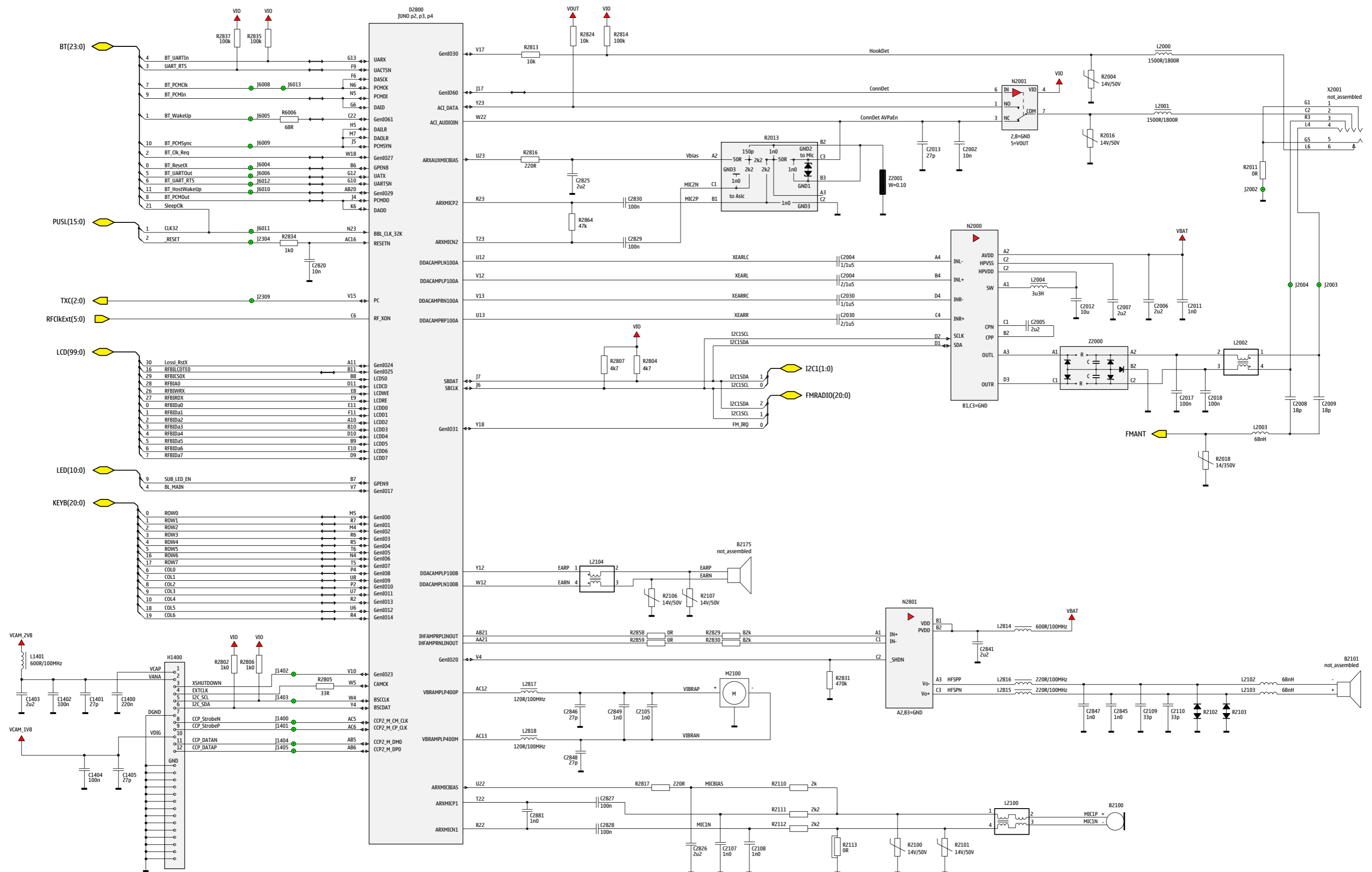
- 1.0 First approved version.
- 2.0 Extra page 3 removed and added page 8: Component finder

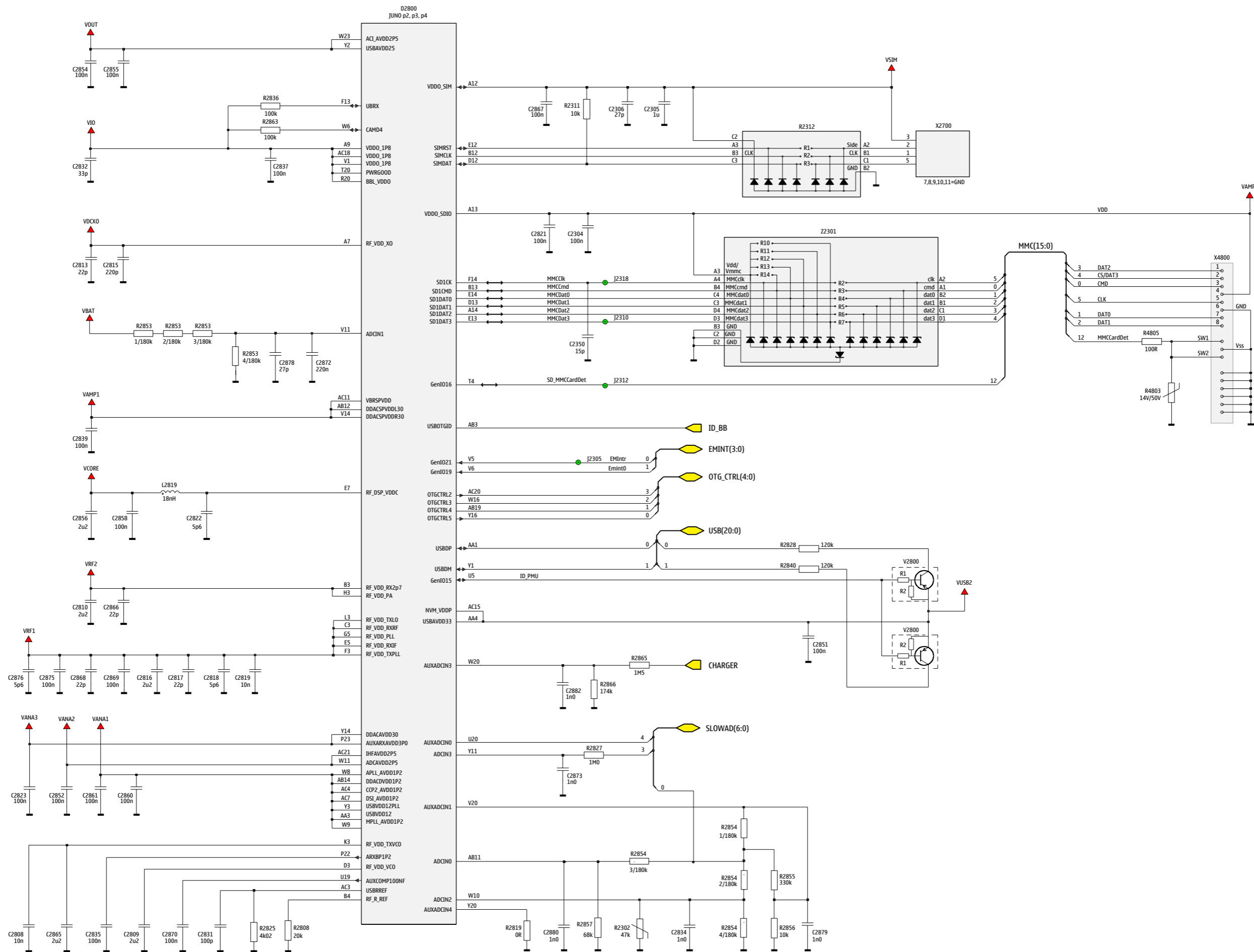


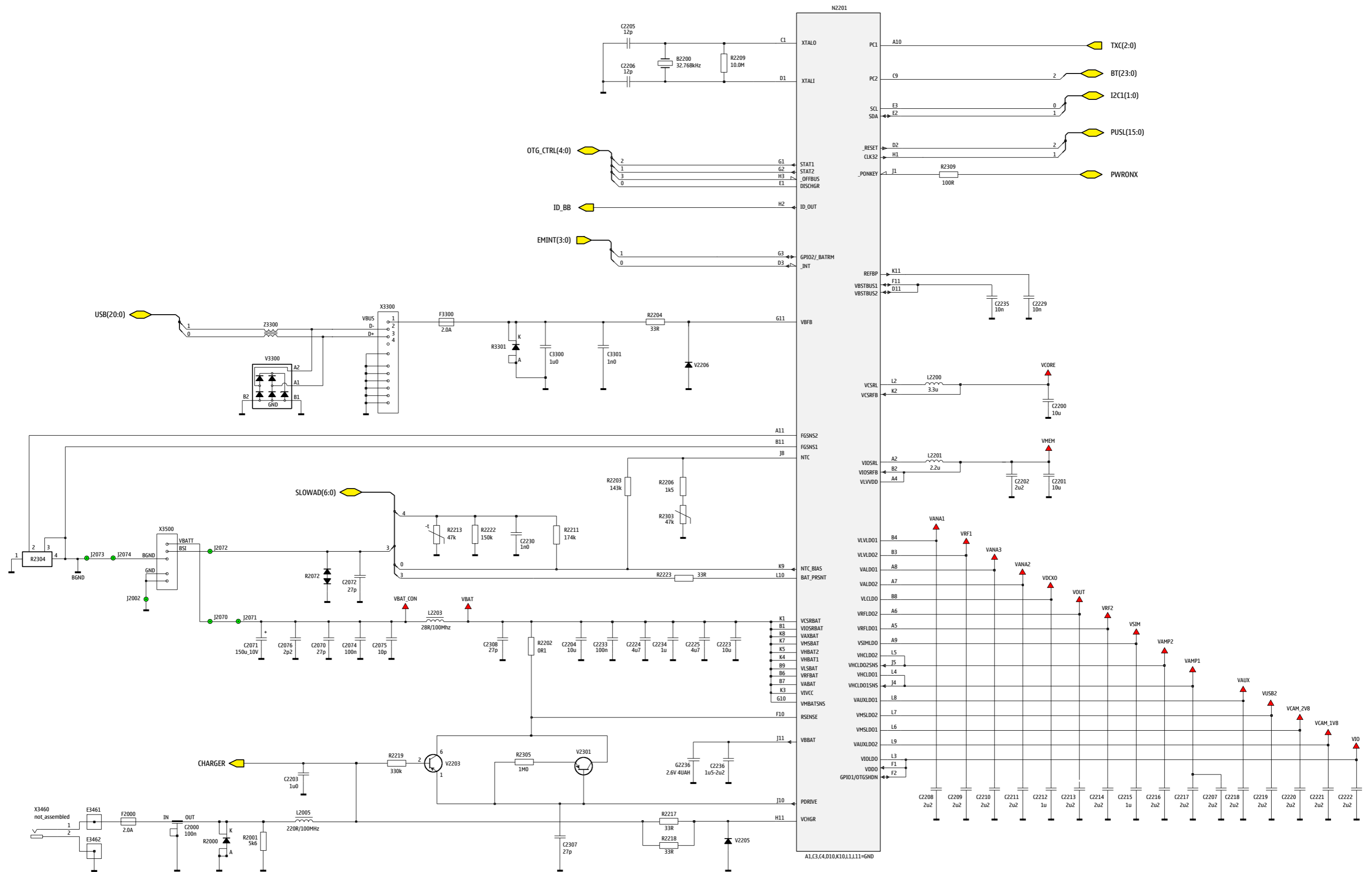
### Contents

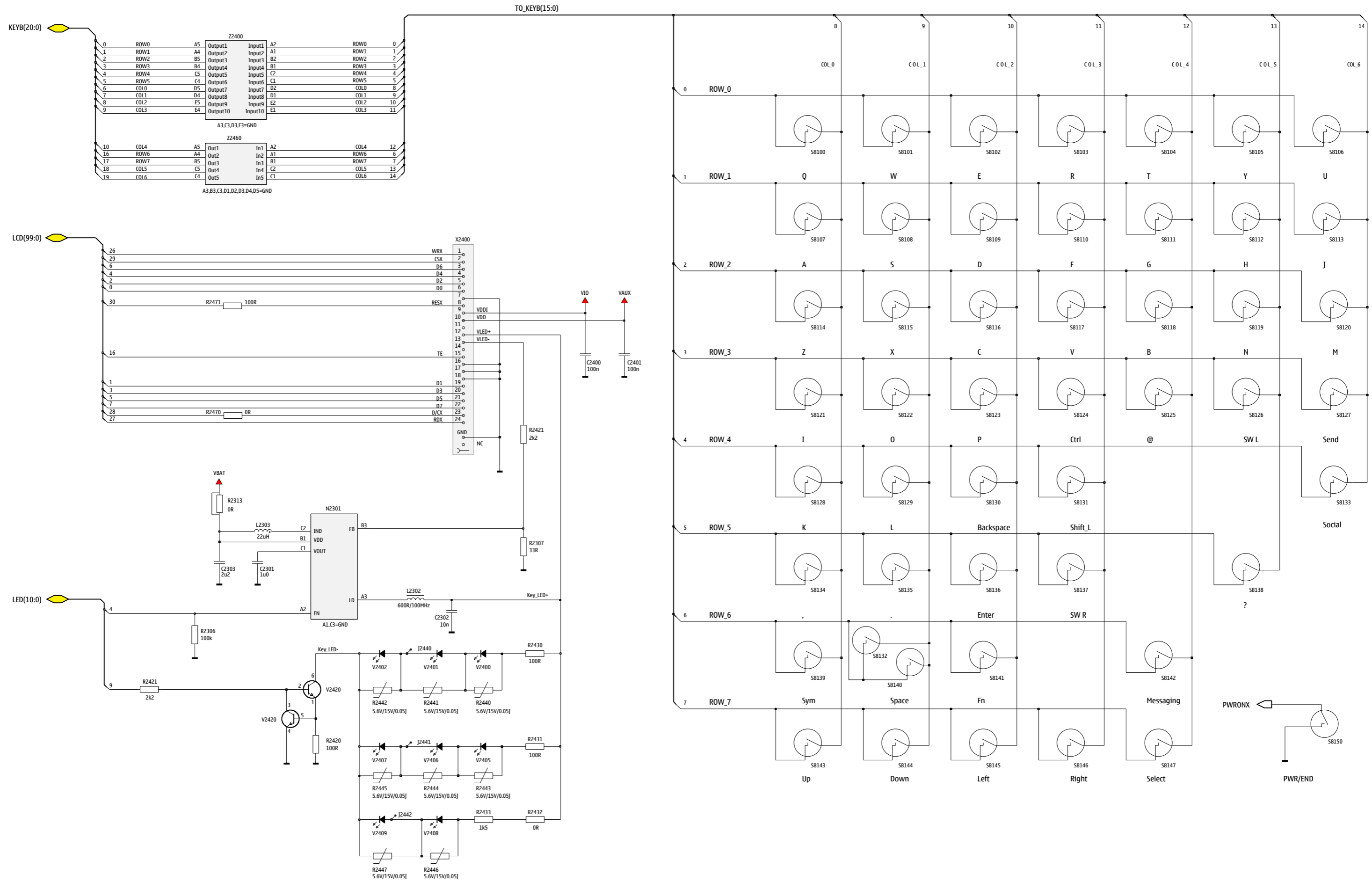
Front page	1
Juno, RF, Memory	2
Juno, Audio, Camera	3
Juno, Juno power, MMC, SIM	4
PMU, Charging, HS USB	5
UI, Keyboard backlighting	6
BTH FM	7
Component finder	8

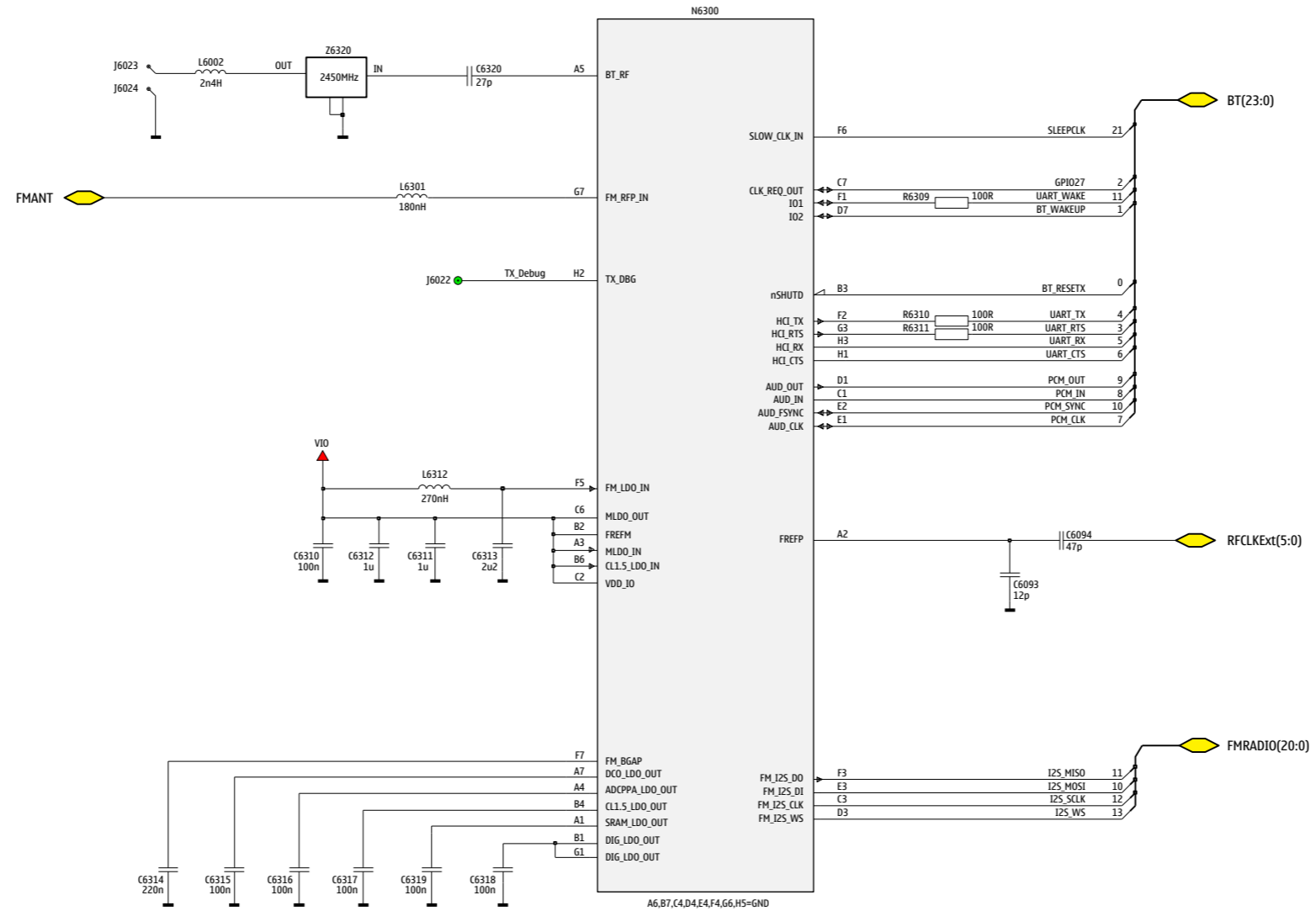














<b>A</b>	C2229	G6	C2866	D10	L2002	H20	R2204	I7	R2859	I11	
A2001	K9	C2230	G8	C2867	F11	L2003	I22	R2206	H8	R2863	D9
A2200	G8	C2233	I6	C2868	D11	L2004	H18	R2209	F7	R2864	G9
A6000	C19	C2234	G8	C2869	D11	L2100	E2	R2211	G8	R2865	H9
<b>B</b>	C2235	H7	C2870	F8	L2102	H18	R2213	F7	R2866	H9	
B2100	D2	C2236	L7	C2872	E8	L2103	H18	R2217	H7	R3301	J18
B2200	F7	C2301	K9	C2873	E8	L2104	I22	R2218	H7	R4803	J14
B2800	E11	C2302	L9	C2875	D9	L2200	F6	R2219	H7	R4805	J14
<b>C</b>	C2303	K9	C2876	D9	L2201	F7	R2220	H9	R6006	B19	
C1400	G18	C2304	K13	C2878	I9	L2203	J6	R2222	G8	R6309	C18
C1401	G18	C2305	F16	C2879	H9	L2302	L9	R2223	H6	R6310	C19
C1402	G18	C2306	F16	C2880	E8	L2303	L8	R2302	J7	R6311	C19
C1403	G18	C2307	K4	C2881	G8	L2800	D9	R2303	J7	R7500	E8
C1404	H21	C2308	K3	C2882	G9	L2801	D10	R2304	H3	R7504	E8
C1405	G21	C2350	K13	C3000	G10	L2802	D11	R2305	J4	R7505	E4
C2000	K22	C2400	I22	C3001	I11	L2804	D10	R2306	K9	R7506	E7
C2002	G17	C2401	I22	C3003	H11	L2805	D9	R2307	L9	R7507	D7
C2004	H19	C2800	D9	C3004	G10	L2806	D10	R2309	J12	R7508	D8
C2005	I19	C2801	D10	C3000	J18	L2807	D10	R2311	F16	R7509	D8
C2006	H19	C2802	D10	C6093	C18	L2808	D10	R2312	F16	R7510	E7
C2007	I20	C2803	D10	C6094	C18	L2809	D10	R2420	J13	R7511	D7
C2008	H22	C2804	D10	C6310	C18	L2810	D11	R2421	J12	R7512	D7
C2009	H22	C2805	D11	C6311	C18	L2811	D10	R2422	I23	R7516	D9
C2011	H19	C2806	D11	C6312	C19	L2812	D9	R2430	J13	<b>V</b>	
C2012	H19	C2807	D9	C6313	C19	L2814	I11	R2431	J13	V2000	J22
C2013	G18	C2808	D9	C6314	C19	L2815	I10	R2432	J13	V2203	I8
C2017	H20	C2809	D11	C6315	C19	L2816	I10	R2433	J13	V2205	I6
C2018	H20	C2810	D10	C6316	C18	L2817	F11	R2440	H7	V2206	I7
C2030	H20	C2813	E11	C6317	C18	L2818	G11	R2441	H5	V2301	J3
C2070	J6	C2815	E11	C6318	C19	L2819	F11	R2442	H4	V2400	H7
C2071	J6	C2816	D11	C6319	C18	L6002	C17	R2443	F7	V2401	H5
C2072	H4	C2817	D11	C6320	C18	L6301	C19	R2444	F5	V2402	H4
C2074	J6	C2818	D10	C7400	E3	L6312	C19	R2445	F4	V2405	F7
C2075	J5	C2819	D10	C7509	E8	L7402	E3	R2446	L10	V2406	F5
C2076	J5	C2820	F8	C7510	D8	L7510	E8	R2447	B10	V2407	F4
C2105	F17	C2821	F11	C7515	D6	L7511	D6	R2470	I23	V2408	L10
C2107	E2	C2822	F11	C7516	E6	<b>M</b>	R2471	I22	V2409	B10	
C2108	E2	C2823	G8	C7517	E6	M2100	D18	R2802	G11	V2420	K12
C2109	H17	C2825	H9	C7518	E6	<b>N</b>	R2804	I11	V2800	D8	
C2110	H17	C2826	H8	C7519	E6	N2000	H19	R2805	D8	V3300	J18
C2200	F6	C2827	G8	C7520	E7	N2001	G18	R2806	G11	<b>X</b>	
C2201	F7	C2828	G8	C7521	E7	N2201	G7	R2807	I11	X2061	F11
C2202	G8	C2829	G9	C7522	D7	N2301	L9	R2808	E11	X2400	J22
C2203	I8	C2830	G9	C7523	D8	N2801	I10	R2813	H11	X2700	D14
C2204	G6	C2831	D8	C7524	D8	N6300	C19	R2814	H11	X3300	L18
C2205	F7	C2832	G9	C7525	E7	N7500	E7	R2816	H9	X3500	I4
C2206	F7	C2834	E8	C7526	D9	<b>R</b>	R2817	G8	X4800	K16	
C2207	F8	C2835	G9	C7527	D7	R2000	K22	R2819	H8	X7400	E4
C2208	G8	C2837	F11	C7529	E6	R2001	J22	R2824	H8	<b>Z</b>	
C2209	G8	C2839	F8	<b>D</b>	R2004	H20	R2825	D8	Z2000	H20	
C2210	H8	C2841	I11	D2800	F9	R2011	H23	R2827	H8	Z2301	K14
C2211	H8	C2845	I9	D3000	H10	R2013	G17	R2828	D8	Z2400	K11
C2212	H7	C2846	F11	<b>E</b>	R2016	H17	R2829	I11	Z2460	K11	
C2213	G8	C2847	I9	E7404	C3	R2020	E3	R2830	I11	Z3300	I18
C2214	G8	C2848	G11	E7406	E2	R2072	H4	R2831	I10	Z6320	C18
C2215	H7	C2849	F11	<b>F</b>	R2100	E2	R2834	F8	Z7500	D6	
C2216	G6	C2851	E8	F2000	J22	R2101	E2	R2835	G11	Z7501	D6
C2217	G6	C2852	G8	F3300	K18	R2102	H17	R2836	I12		
C2218	G6	C2854	H8	<b>G</b>	R2103	H17	R2837	C20			
C2219	G6	C2855	D9	G2236	K7	R2106	I23	R2840	D9		
C2220	G6	C2856	F11	<b>H</b>	R2107	I23	R2852	G11			
C2221	G6	C2857	F11	H1400	G19	R2110	E2	R2853	I9		
C2222	F6	C2858	F8	<b>L</b>	R2111	E2	R2854	I9			
C2223	G6	C2860	F8	L1401	G18	R2112	E2	R2856	H8		
C2224	F6	C2861	E8	L2000	H21	R2202	H6	R2857	I8		
C2225	I6	C2865	D9	L2001	H22	R2203	H8	R2858	I11		

