

OmniView Monitor Arm



Single

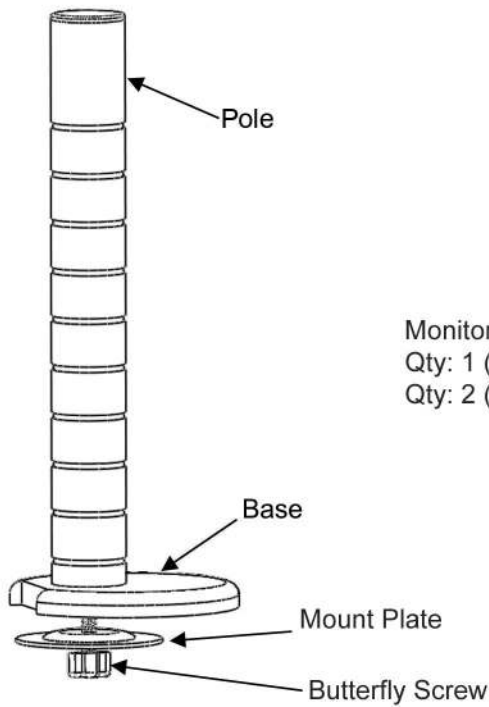


Dual

How can we improve our assembly instructions?
Your comments and suggestions are important to us.
Please e-mail us at: support@versatables.com.

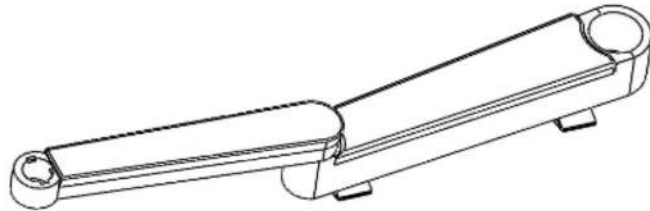
Hardware & Parts List

OmniView Monitor Arm

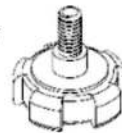


Pole Mount Assembly
Qty: 1

Monitor Arm
Qty: 1 (single)
Qty: 2 (dual)



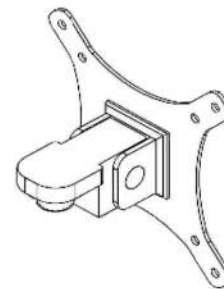
Monitor Adaptor Thumb Screw
Qty: 1 (single)
Qty: 2 (dual)



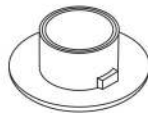
Height Adjustment Clip
Qty: 1 (single)
Qty: 2 (dual)



Monitor Adaptor
Qty: 1 (single)
Qty: 2 (dual)



Plastic Bushing
Qty: 1 (single)
Qty: 2 (dual)



6mm Hex Key
Qty: 1



4mm Hex Key
Qty: 1



M4X8mm Standard VESA
Qty: 4 (single)
Qty: 8 (dual)



M5X8mm Extended VESA
Qty: 4 (single)
Qty: 8 (dual)

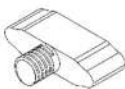


5mm Stainless Steel Spacer
Qty: 4 (single)
Qty: 8 (dual)

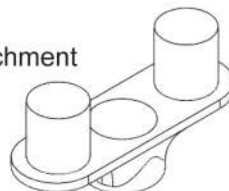


*INCLUDED FOR DUAL MONITOR ATTACHMENTS ONLY

Dual Attachment
Adjustment Screw
Qty: 1



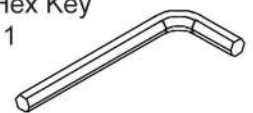
Dual Attachment
Qty: 1



1/4-20 set screw
Qty: 1

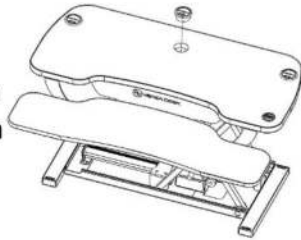


1/8 Hex Key
Qty: 1



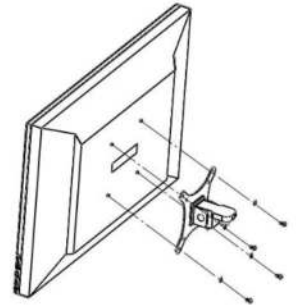
1

Raise your desktop unit halfway (approximately 14 inches high). Choose the grommet hole in which you want to mount the monitor arm assembly in. Remove the grommet plug and cover.



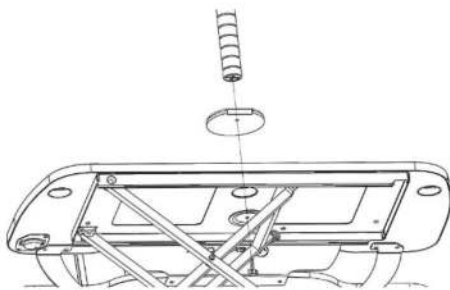
2

Use the appropriate size VESA mounting screw for your monitor and small stainless steel spacer to attach the monitor adapter.

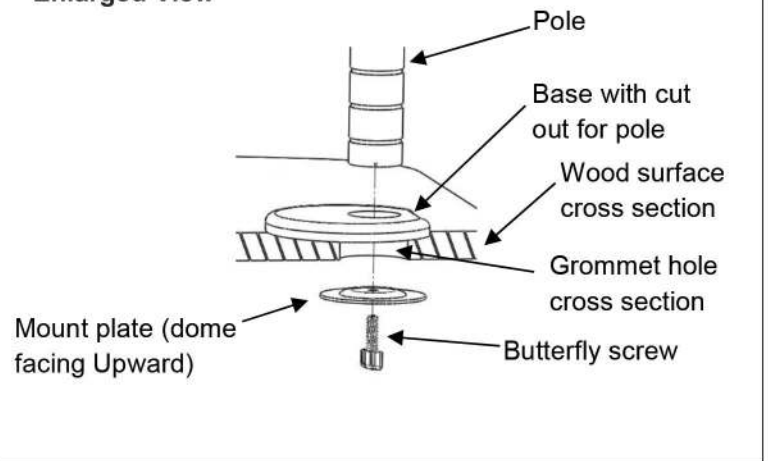


3

Unscrew the butterfly screw from the base and pole. Next, attach the base and pole onto the wood surface grommet hole using the mount plate and butterfly screw. Make sure the dome on the mount plate is facing upward. Firmly hand-tighten the butterfly screw to give the pole stability.



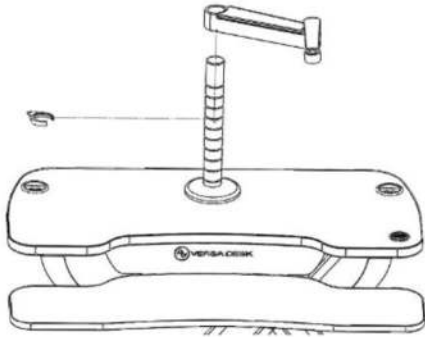
***Enlarged View**



4

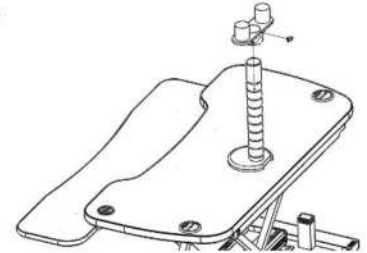
Single Monitor Arm Assembly

Carefully set the monitor arm larger hole onto the pole. After adjusting by pushing the height adjustment plastic clip into the nearest groove on the pole.



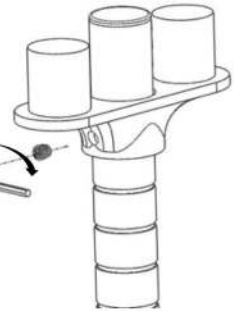
Dual Monitor Arm Assembly

Carefully set the dual attachment mount onto the pole. Insert the dual attachment T-knob screw to the pertinent threaded hole in the back and tighten it to adjust the height.



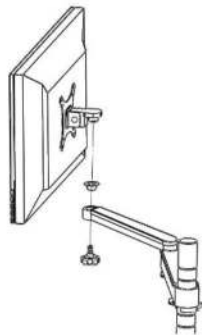
Locate 1/4-20 set screw on the side of dual attachment and tighten it using 1/8 Hex Allen key.

Turn Clockwise to tighten the set Screw



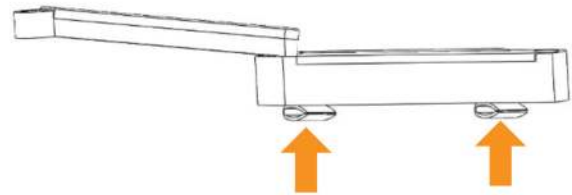
5

Place the plastic bushing in the monitor arms other end. Make sure the rectangular tabs and slots line up. Set the monitor adaptor over the plastic bushing onto the monitor arm, or dual monitor attachment for dual mounting. Use the monitor adaptor thumb-screw to secure the monitor adaptor. After the final adjustments, tighten the monitor thumb screw with a wrench to maintain the adjustments.



6

To use the wire management clips located under the monitor arm, simply open the clips and push the wires inside the clips.



7

How to adjust the monitors to the desired position.

Single

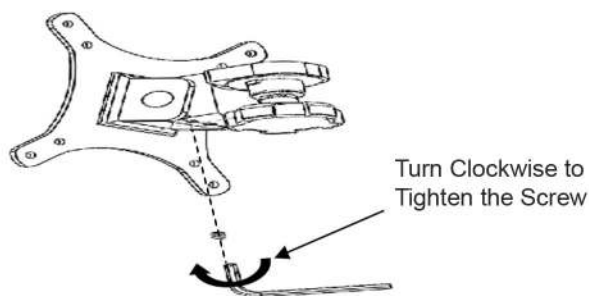
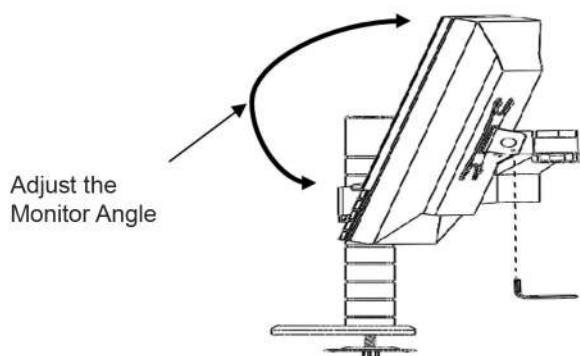
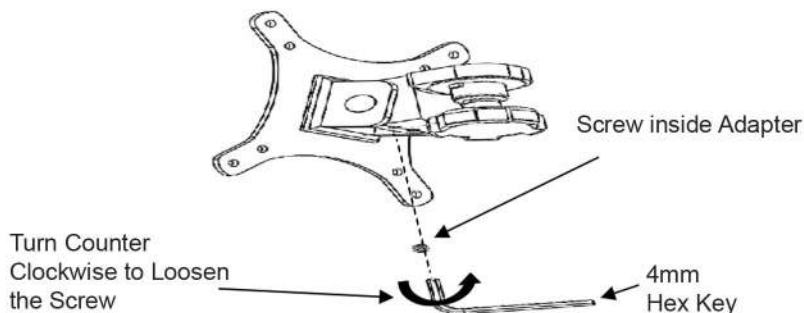


Dual



8

Locate the 2 hex key screws under the vesa bracket. To adjust the angle of the monitor, use the 4mm Hex key and turn counter clockwise to loosen both screws. DO NOT loosen the screws all the way out. After reaching the desirable angle, turn the hex key Clockwise to tighten the both screws.



VersaTables.com
14105 Avalon Blvd.
Los Angeles, CA 90061



Lifetime Warranty



Quantity Discounts



Assembled in USA



Fast Shipping

Support:
Local: 310-353-7100
Toll Free: 888-929-0322
Fax: 310-353-7109
Support@VersaTables.com